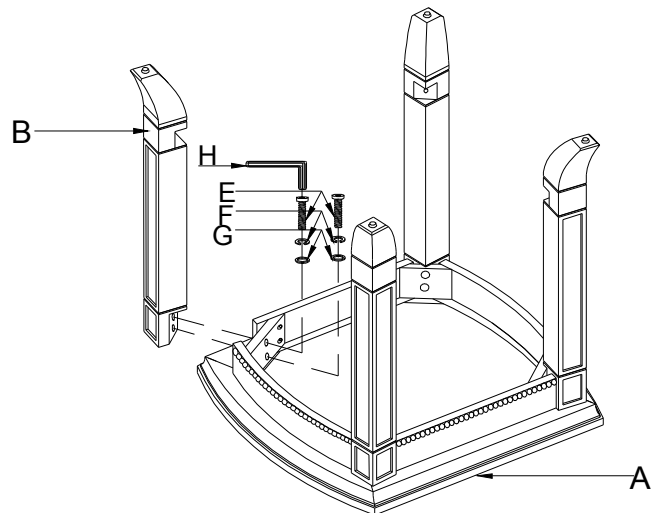


ASSEMBLY INSTRUCTIONS

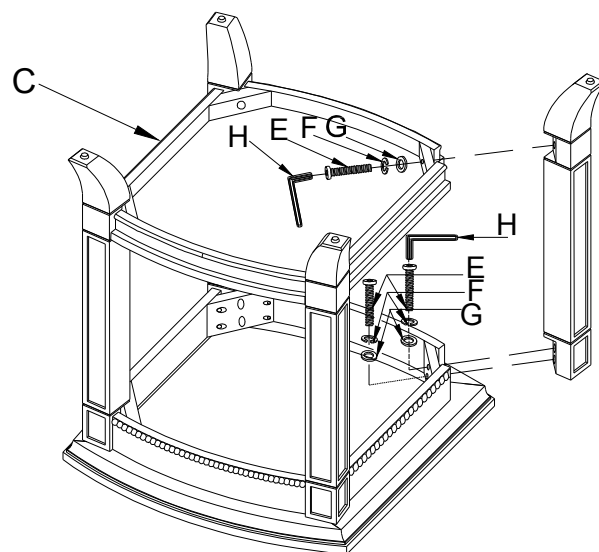
**NOTE: THIS ITEM NOT RECOMMENDED FOR COMMERCIAL USE
KEEP THIS DOCUMENT FOR REFERENCE IN CASE PARTS ARE NEEDED
DO NOT TIGHTEN SCREWS UNTIL COMPLETELY ASSEMBLED!!**

No	DESCRIPTION		Q' TY
A	TABLE TOP	23" X21" X 4-1/4"H	1PC
B	LEG	22-1/4" X2-3/4" X2-3/4"H	4PCS
C	BOTTOM SHELF	20" X18" X 46mmH	1PC
D	SIDE DECORATIVE FRAME	14-1/4" X14" X 1-1/2"H	2PCS
E	BOLT	5/16"X2"	12PCS
F	LOCK WASHER	5/16"	12PCS
G	FLAT WASHER	5/16" *19mm	12PCS
H	ALLEN WRENCH	5MM	1PC
I	SCREW	3mm X 7.5mm X 12mm	4PCS

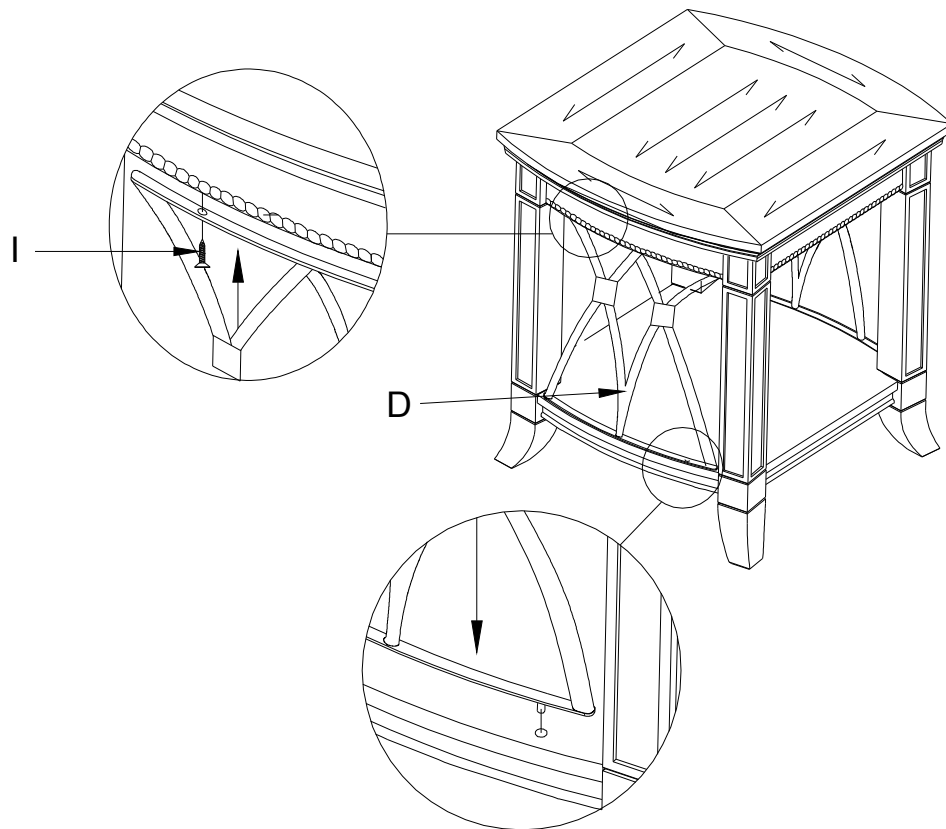
STEP:1



STEP:2



STEP:3



STEP:4

