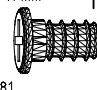
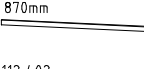

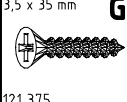



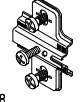
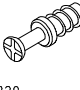


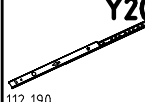

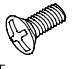
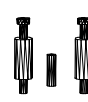


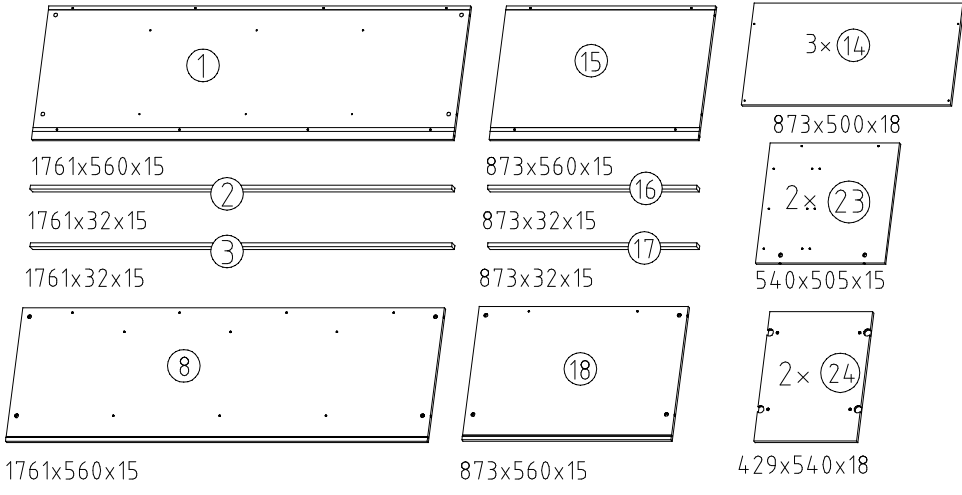
 111 103 M6 x 11 mm	C 16x
 121 181	T6 6x
 870mm 112 402	K20 3x
 111 102	A 24x

 3,5 x 35 mm 121 375	G14 12x
 117 001	K1 6x
 3,5 x 15 mm 121 370	G1 12x
 111 610	L7 12x

 112 268	M 18x
 111 229	F 8x
 111 174	J1 6x
 111 252	VB23 8x

 112 190 M6 x 10	Y20 12x
 112 616 M4 x 9 mm	T3 24x
 111 015	G8 12x

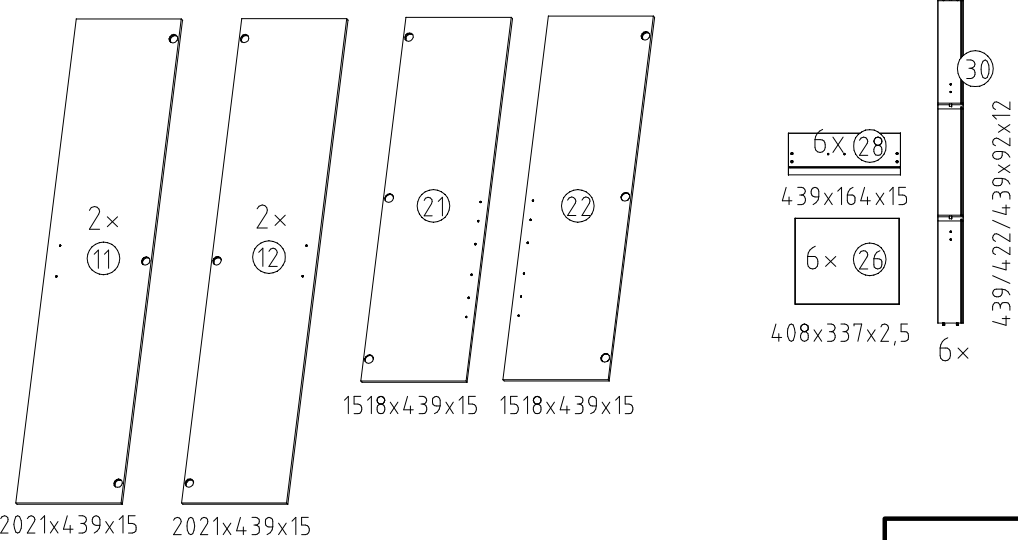
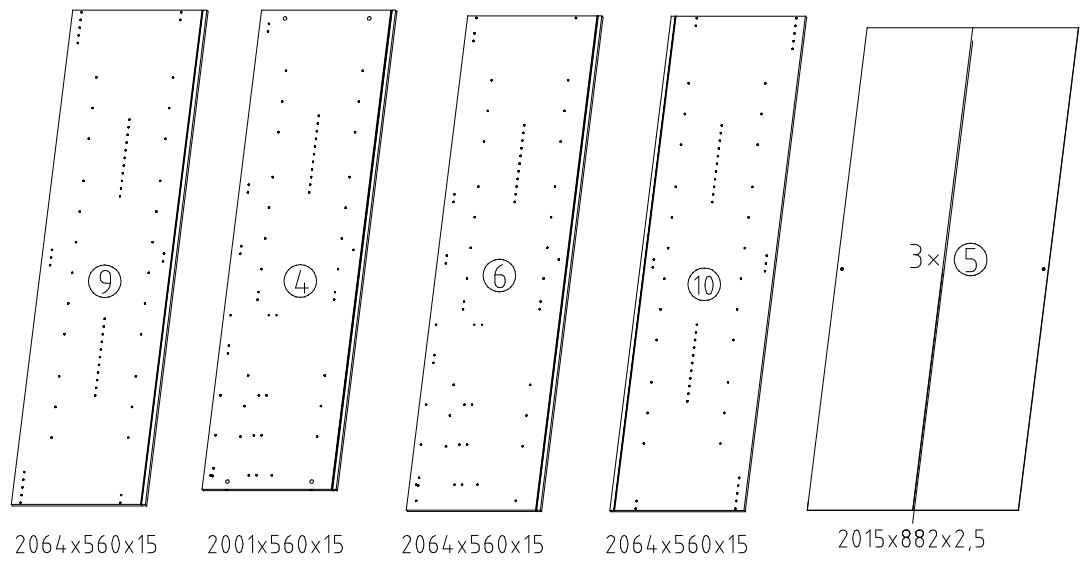
 112 267	F3 4x
	N 18x
 163 007	Z 4x



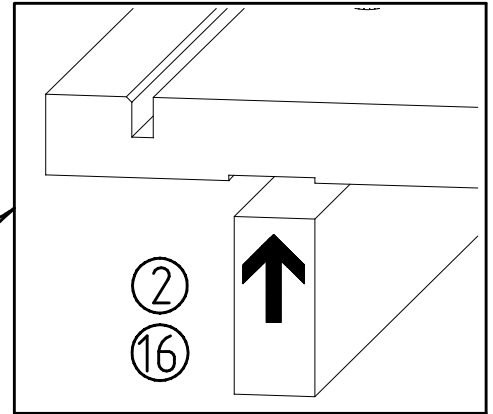
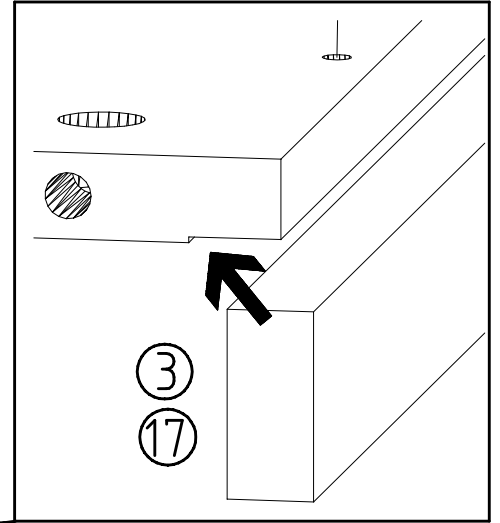
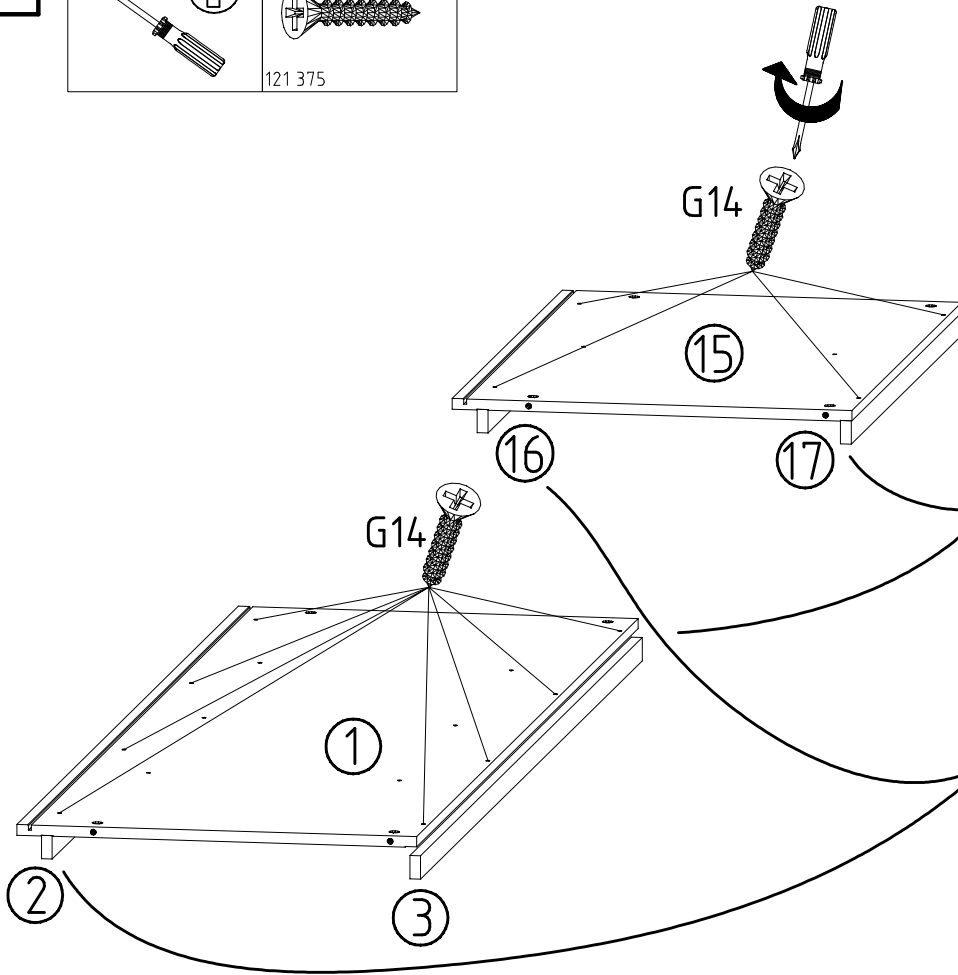
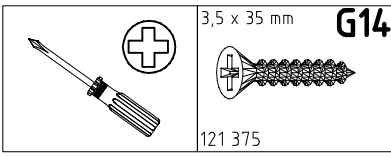
Tools: Two people icon, level, square, screwdriver (minus), screwdriver (plus), power drill, drill bit (5mm).

Ruler: 0 to 100 mm scale.

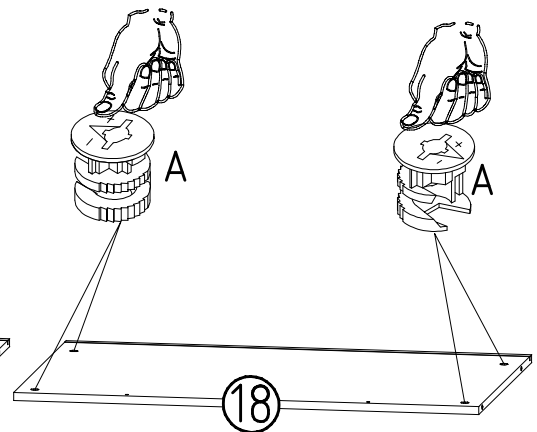
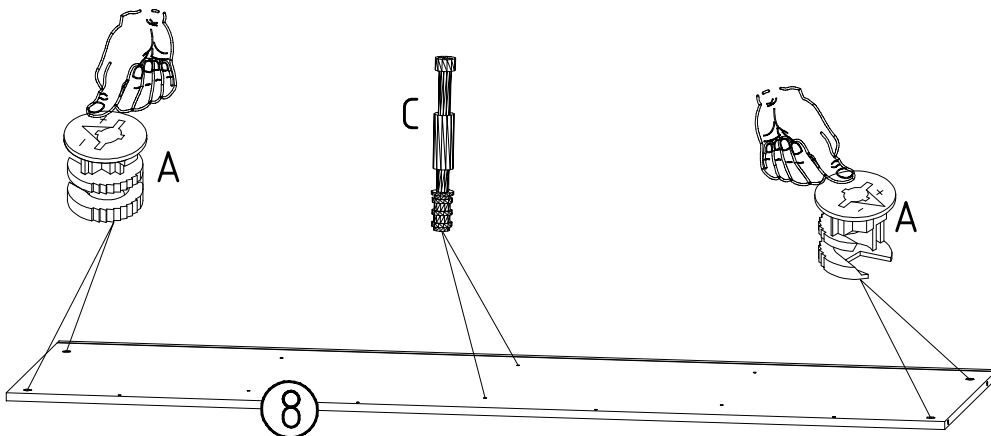
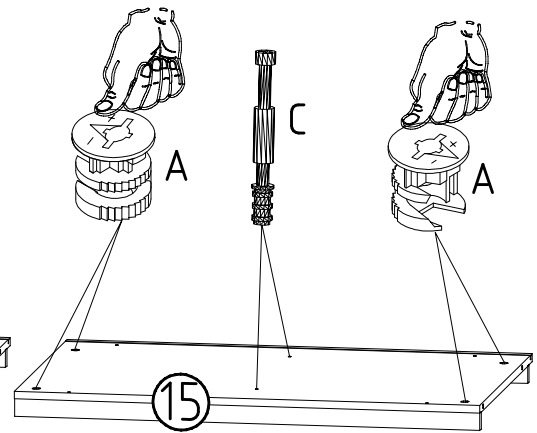
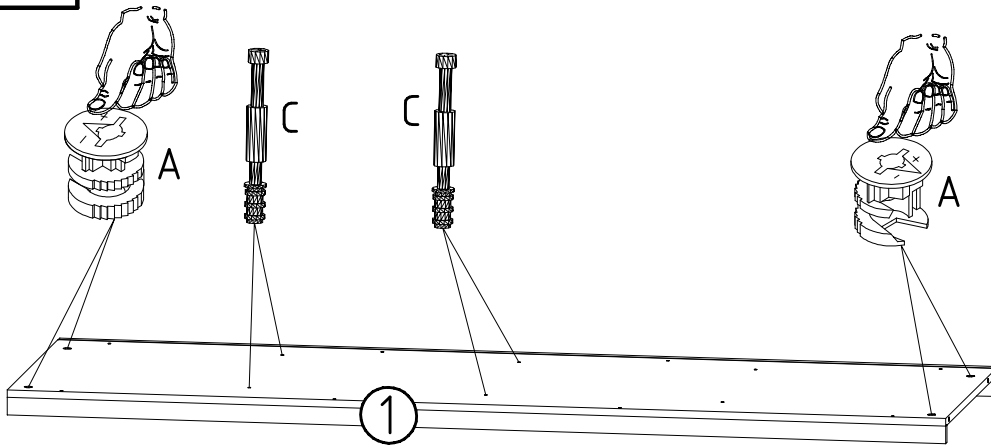
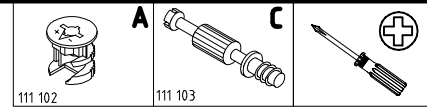
Diagram: Screw with arrow indicating length measurement.

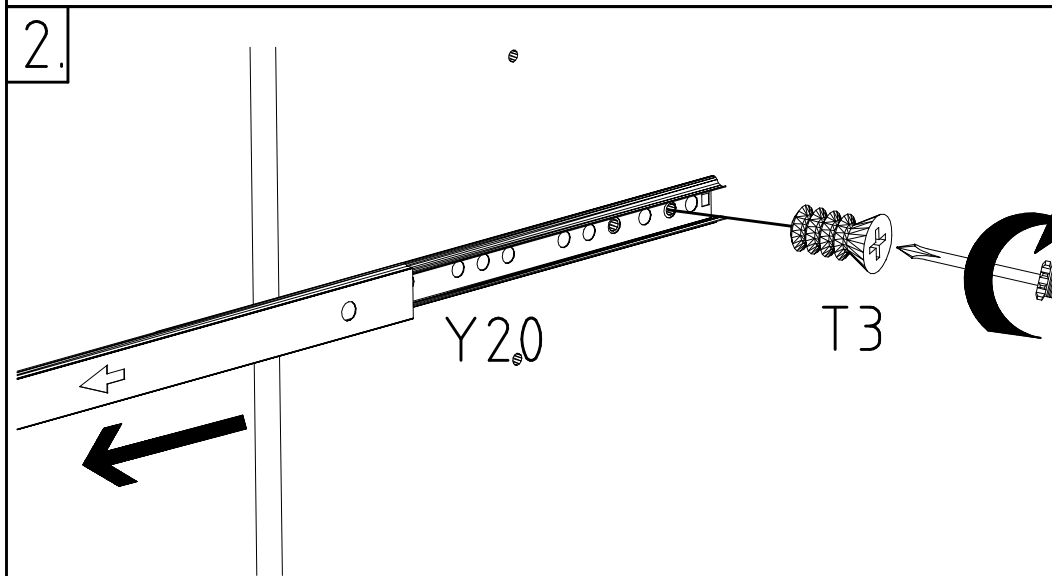
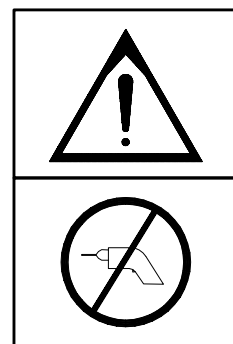
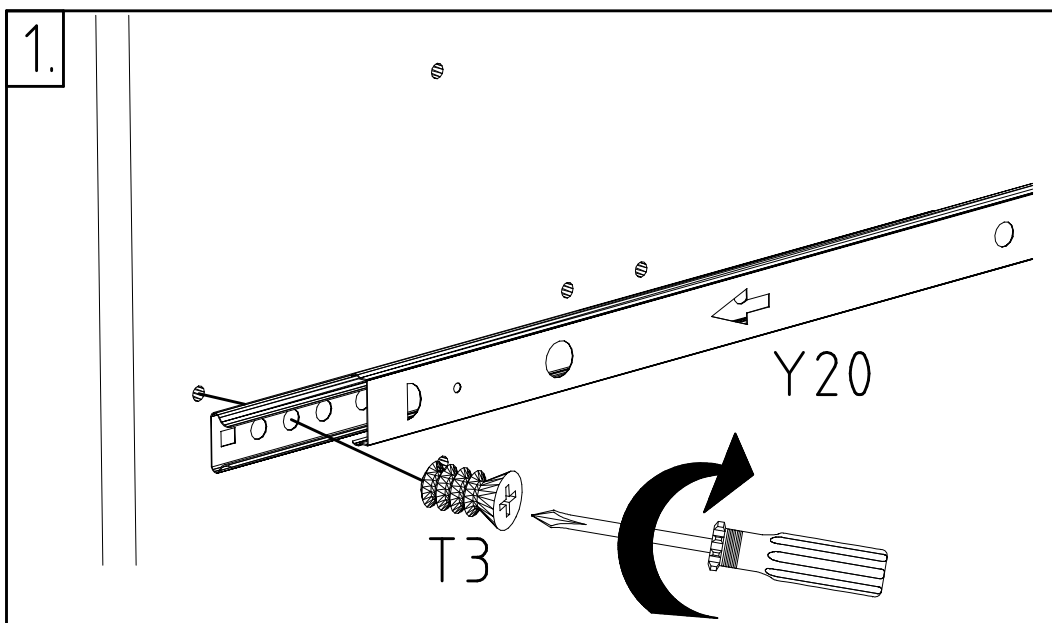
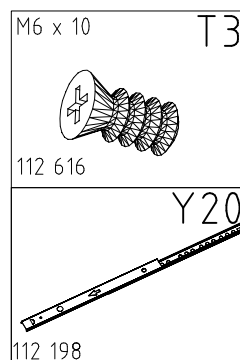
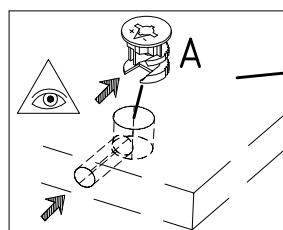
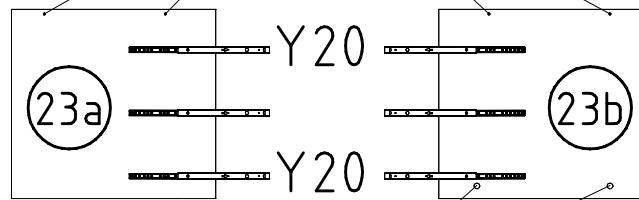
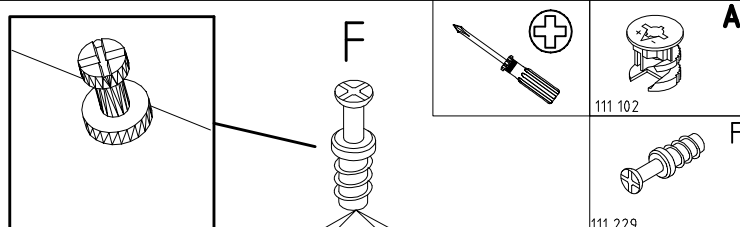
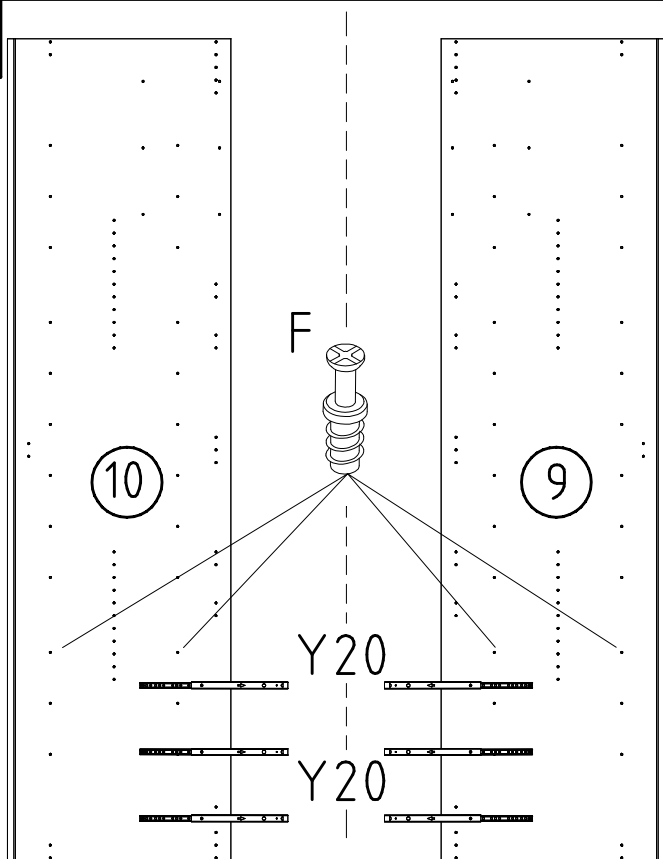


1

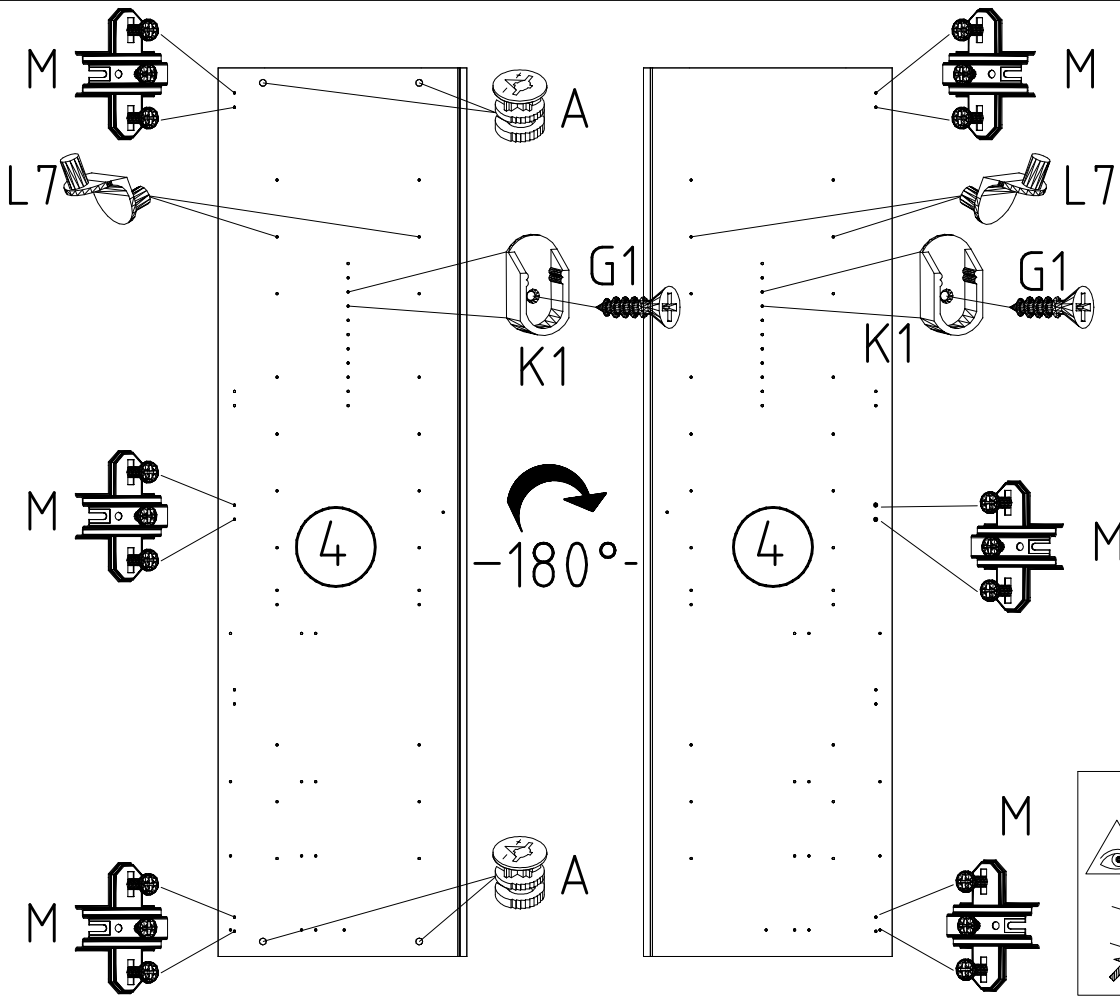


2

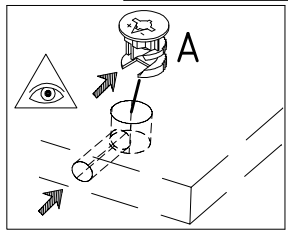




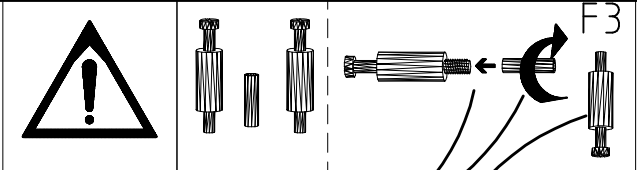
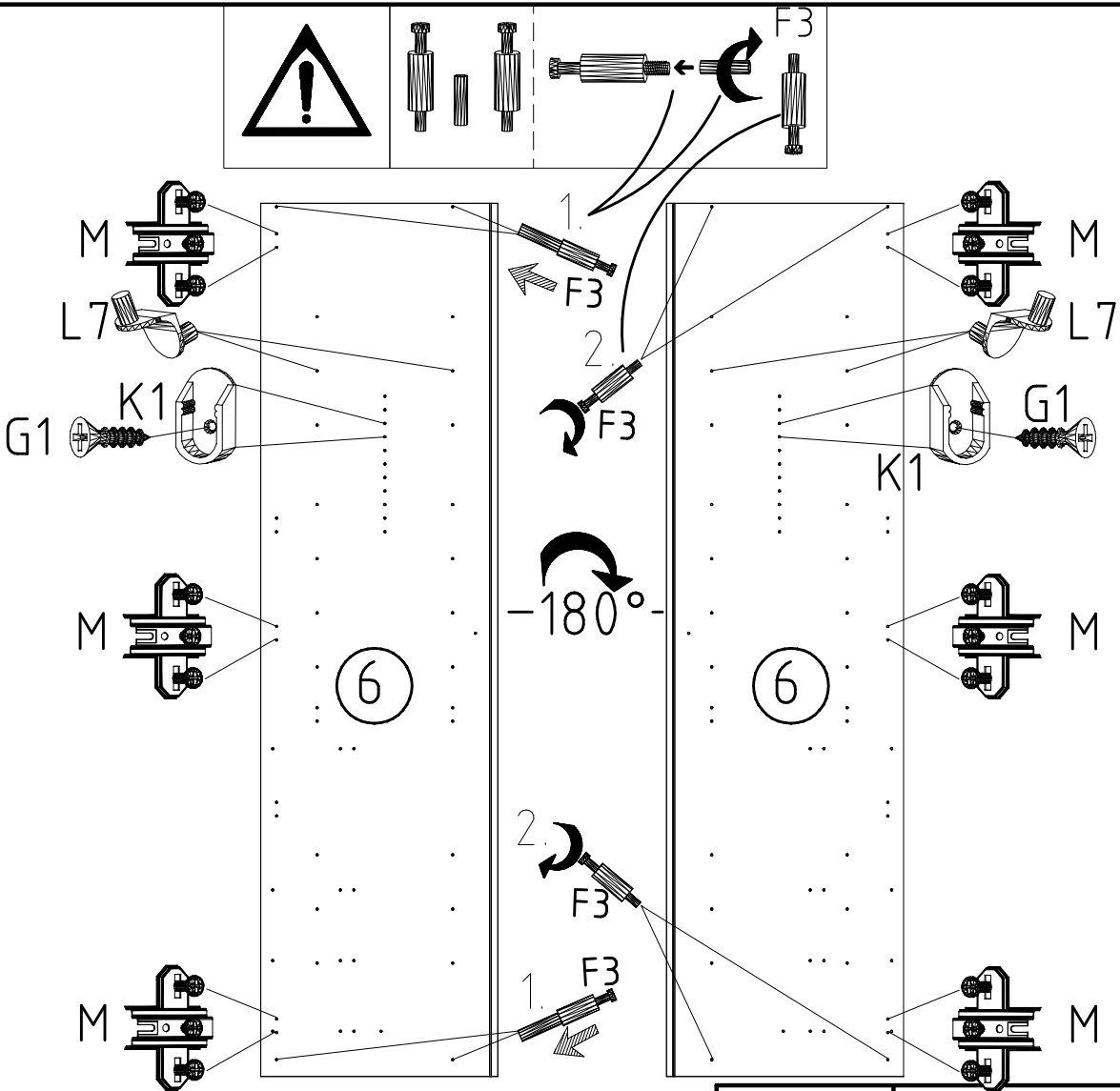
4



	L7
111 610	
	K1
117 001 3,5 x 15 mm	G1
	121 370
	A
111 102	
	M
112 268	

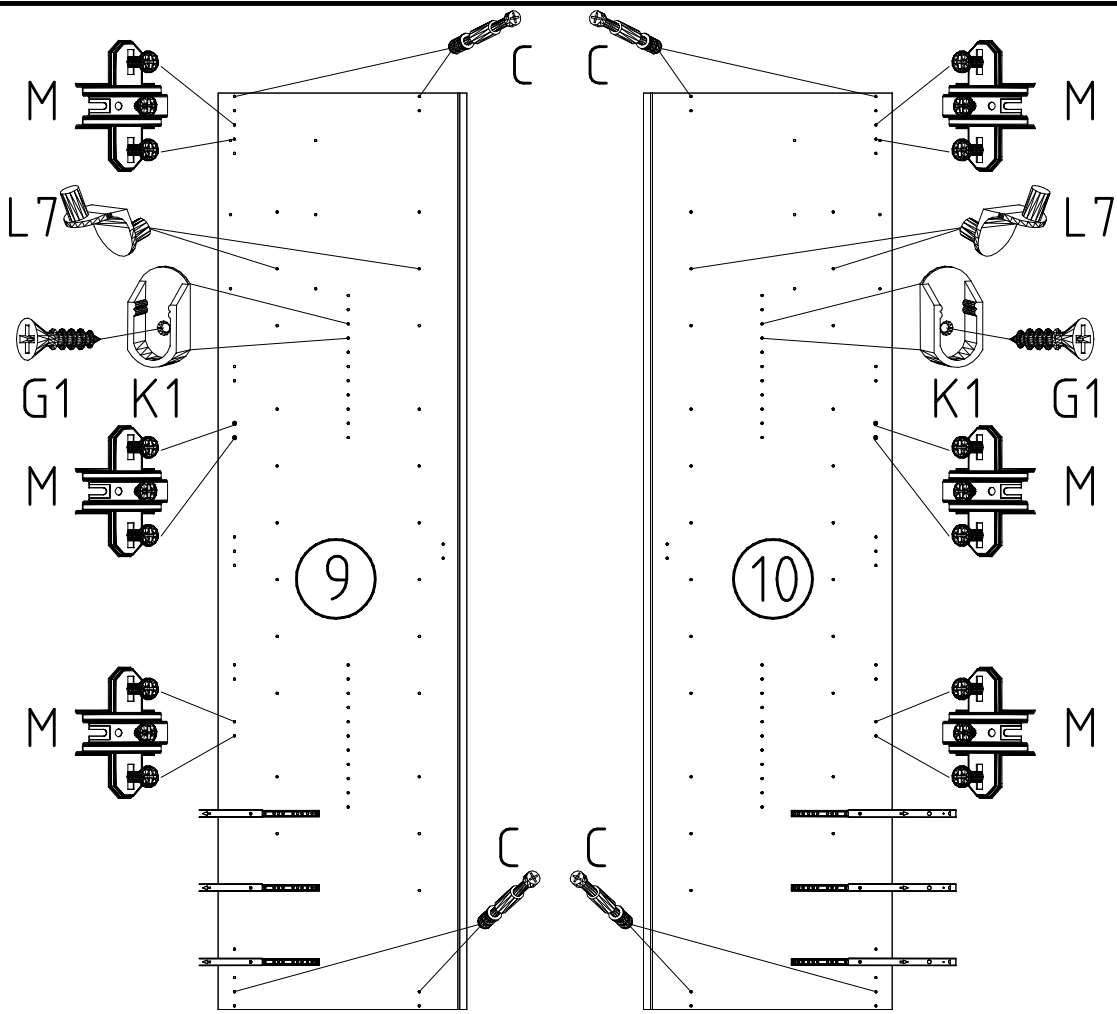


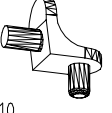
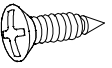
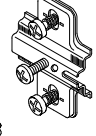

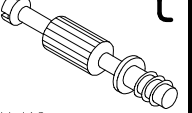
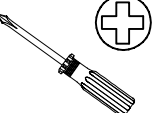
5



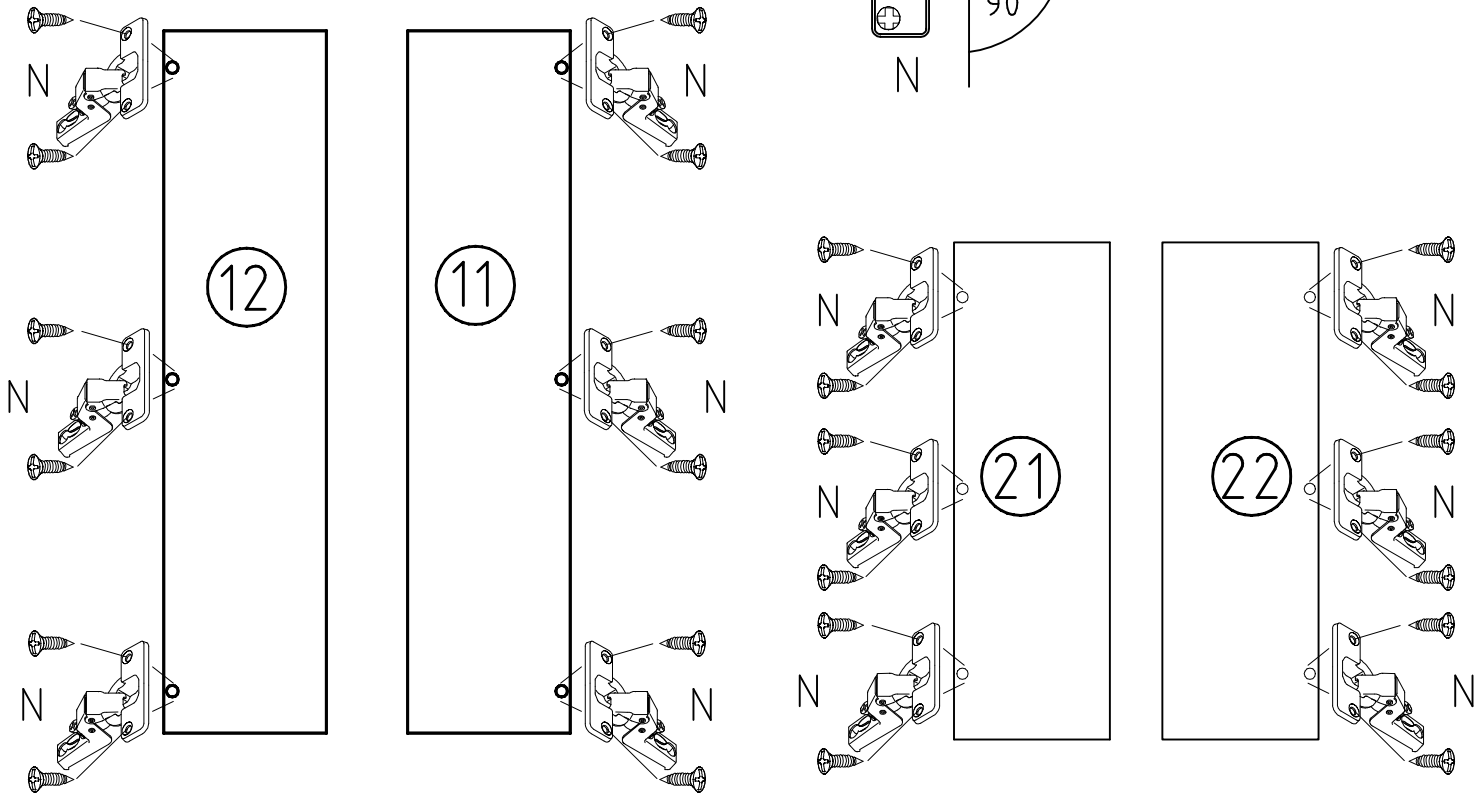
	L7
111 610	
	K1
117 001 3,5 x 15 mm	G1
	121 370
	F3
	M
112 268	

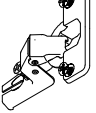
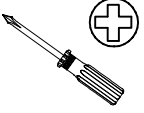
6



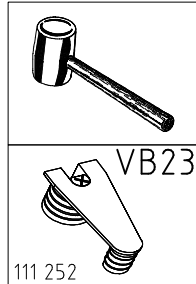
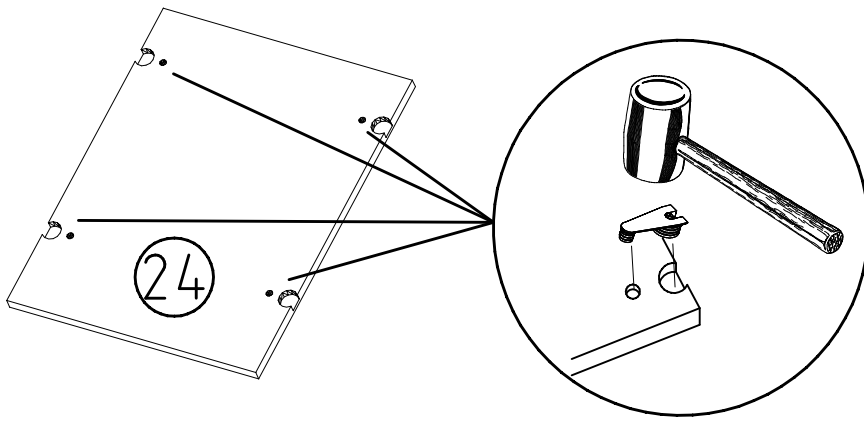
	L7
111 610 3,5 x 15 mm	G1
	
121 370	M
	
112 268	K1
	
117 001	C
	
111 103	
	

7

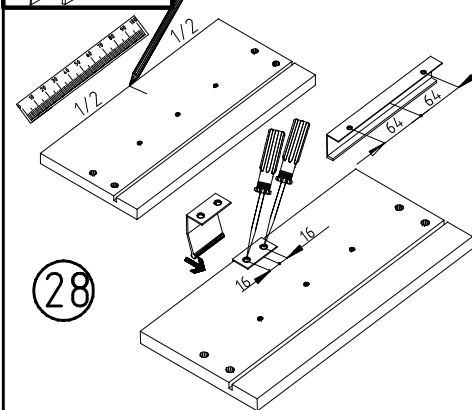
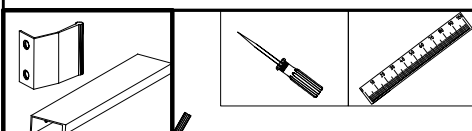
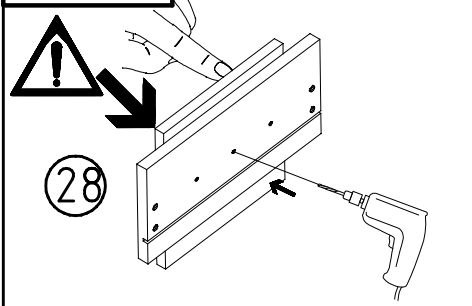
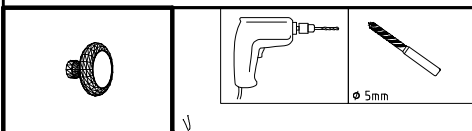
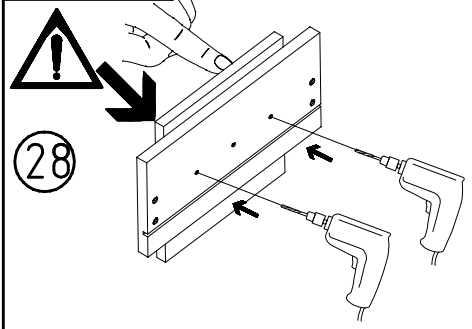
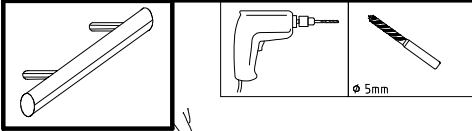
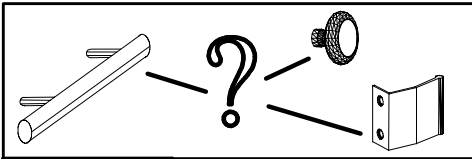
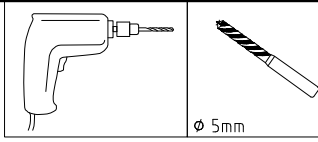


	N
112 267	
	

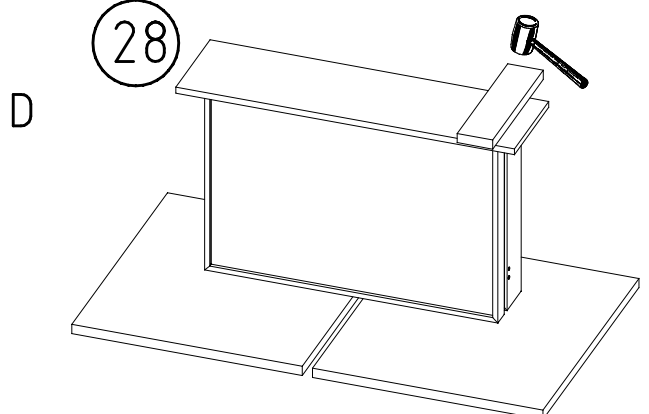
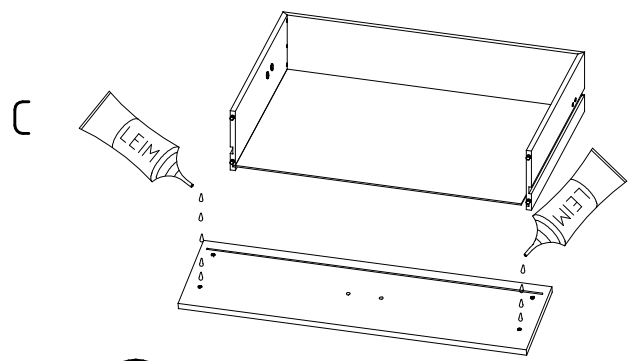
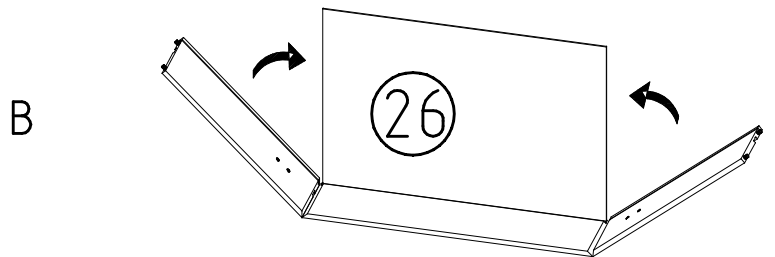
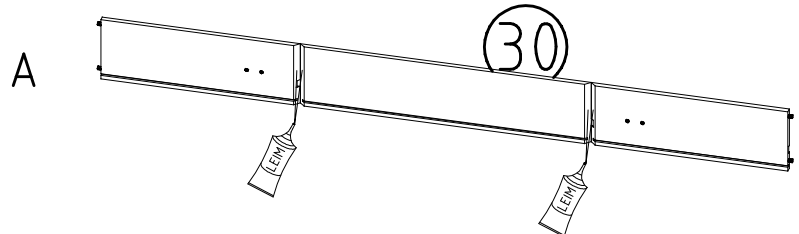
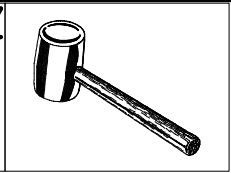
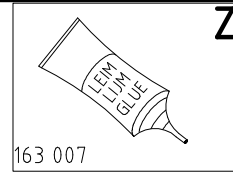
8



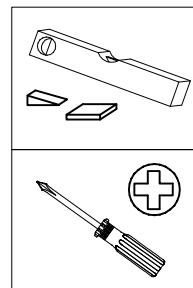
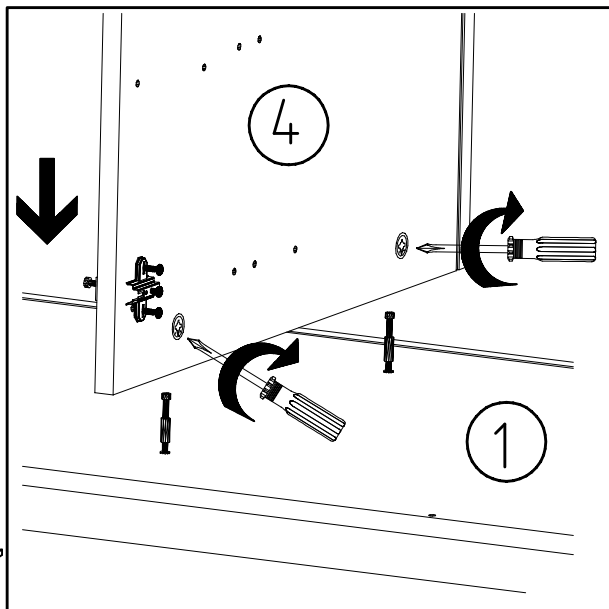
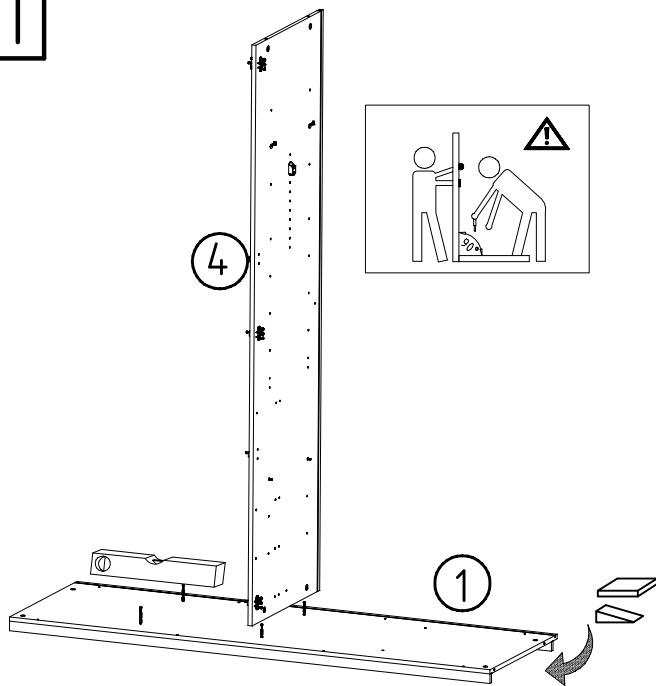
9



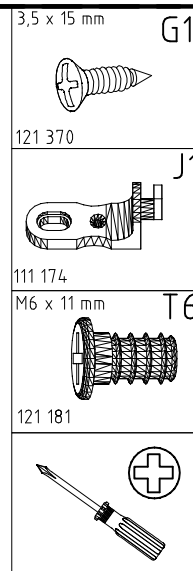
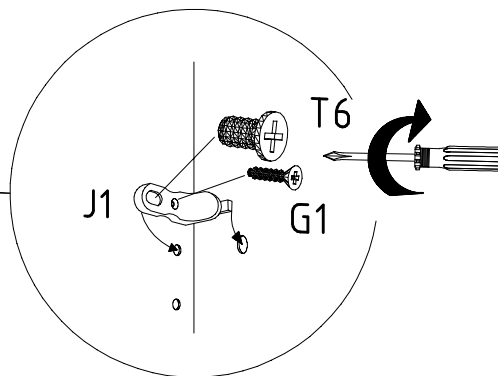
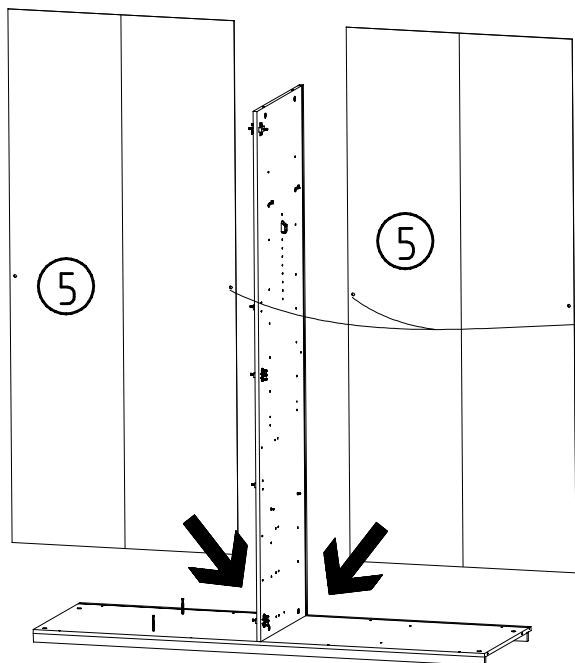
10



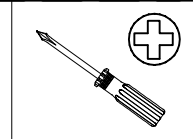
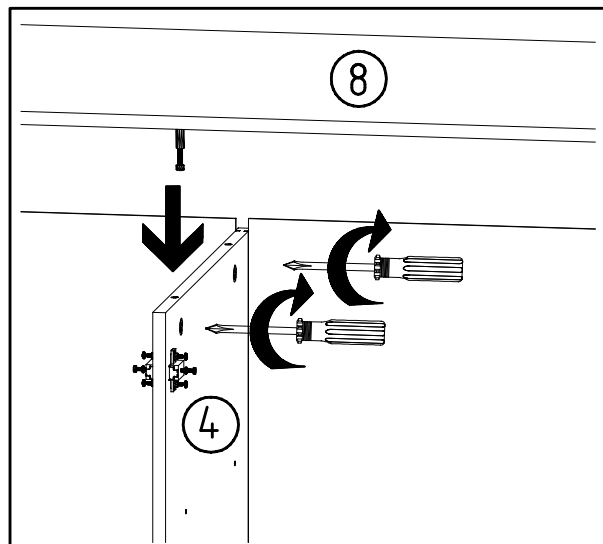
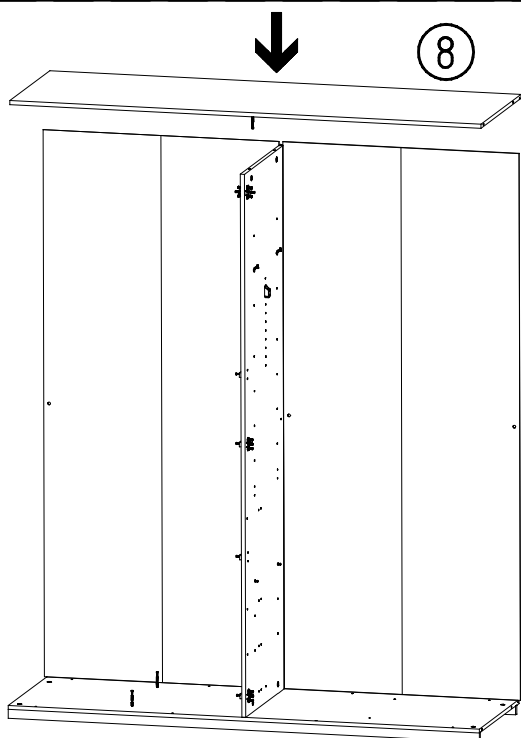
11



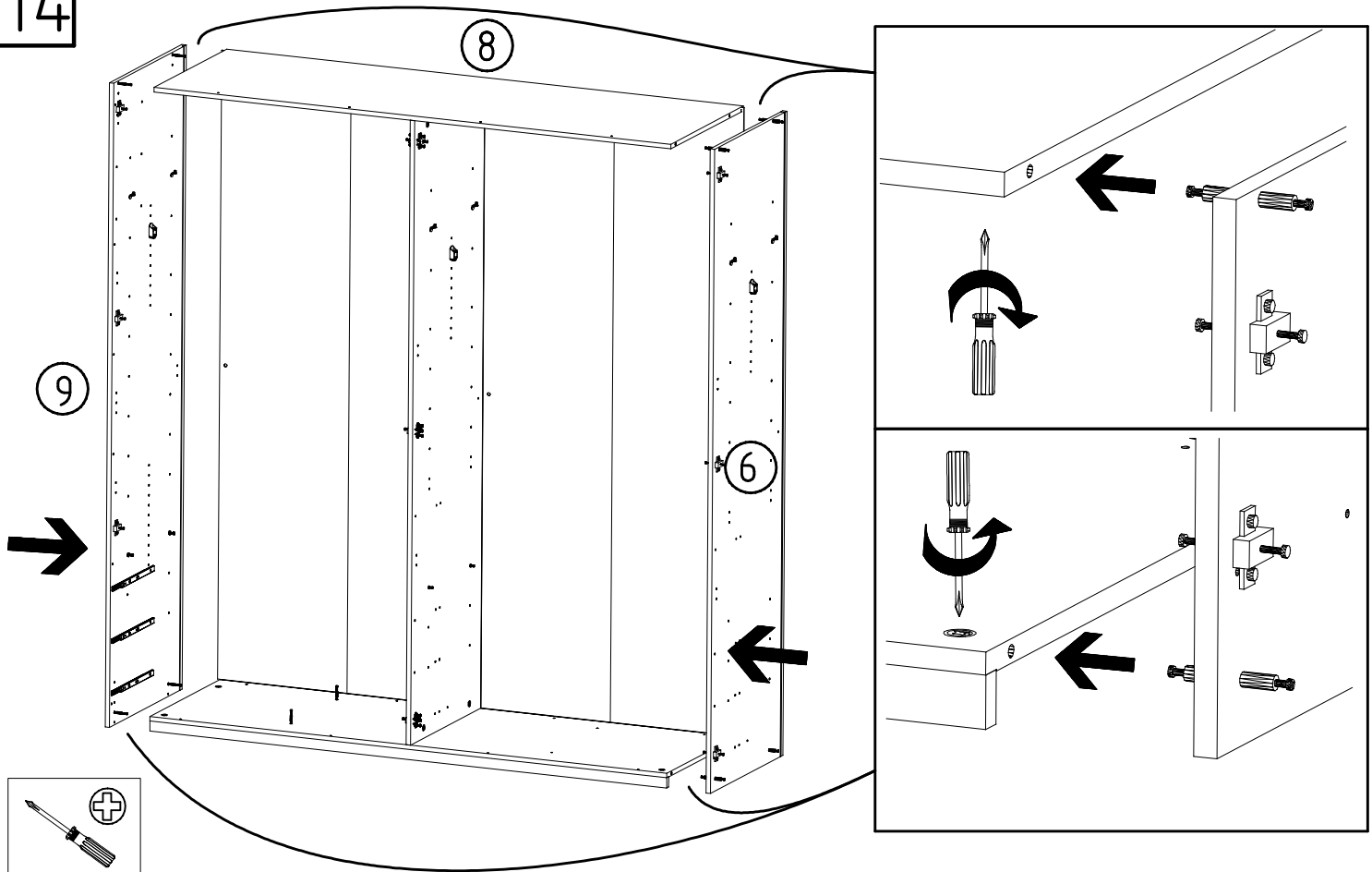
12



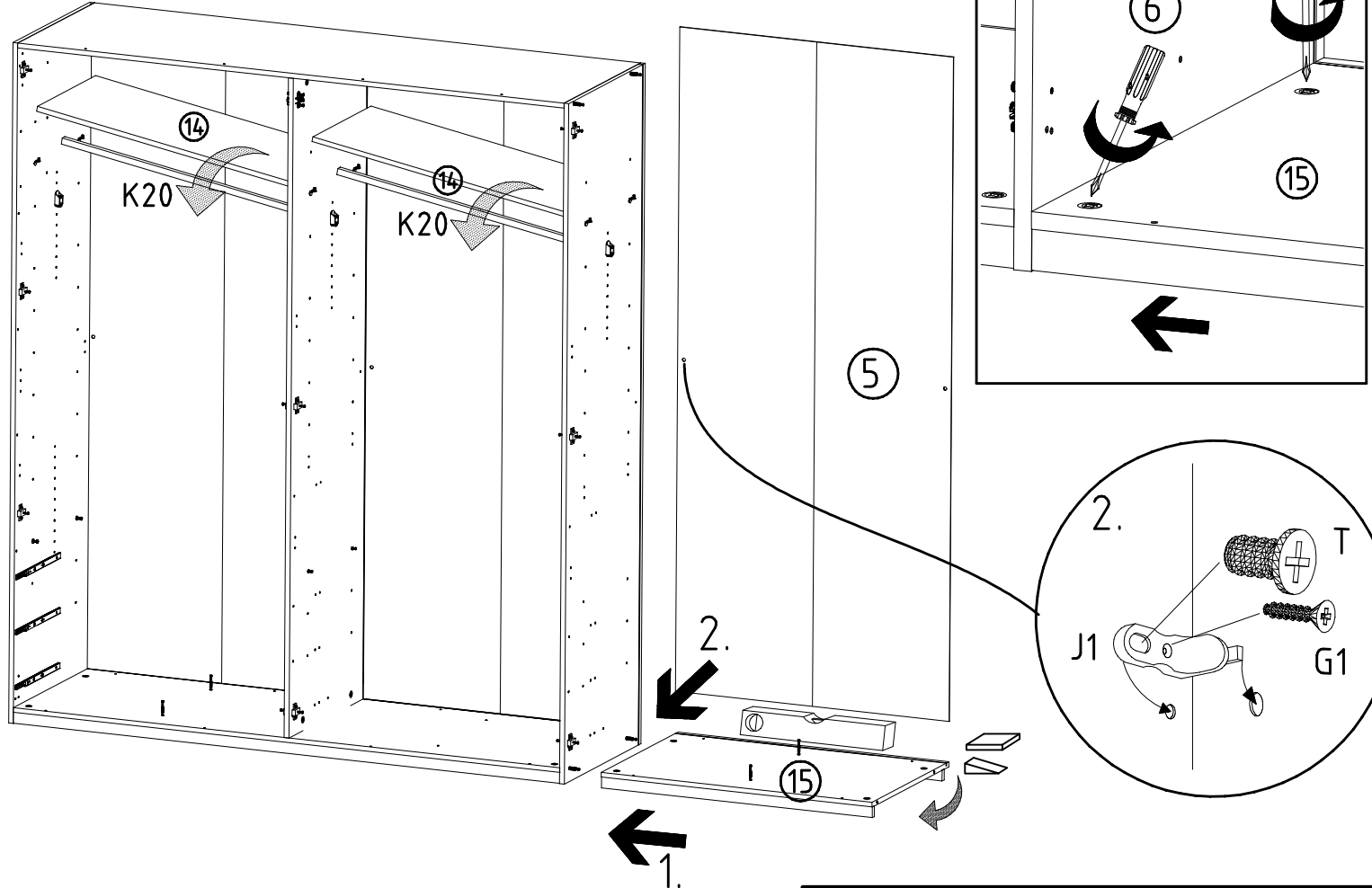
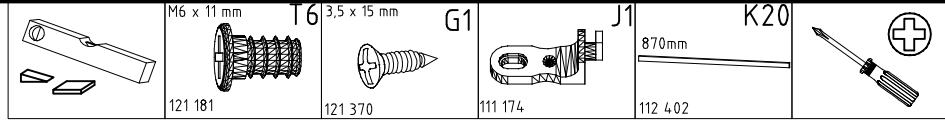
13



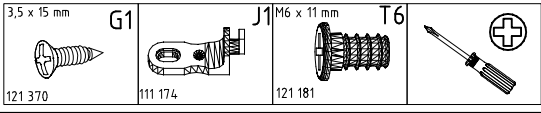
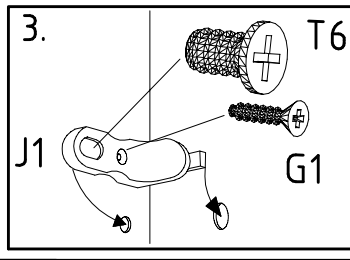
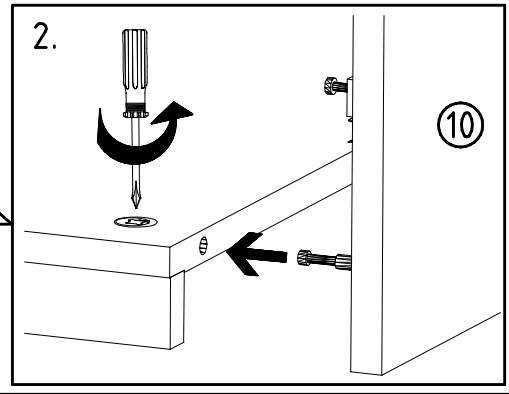
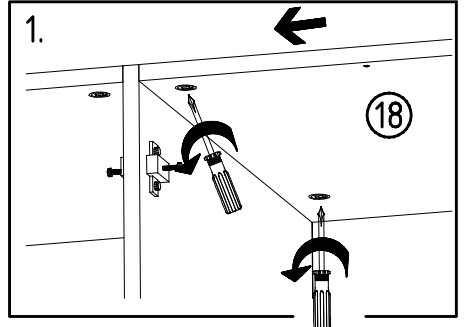
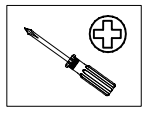
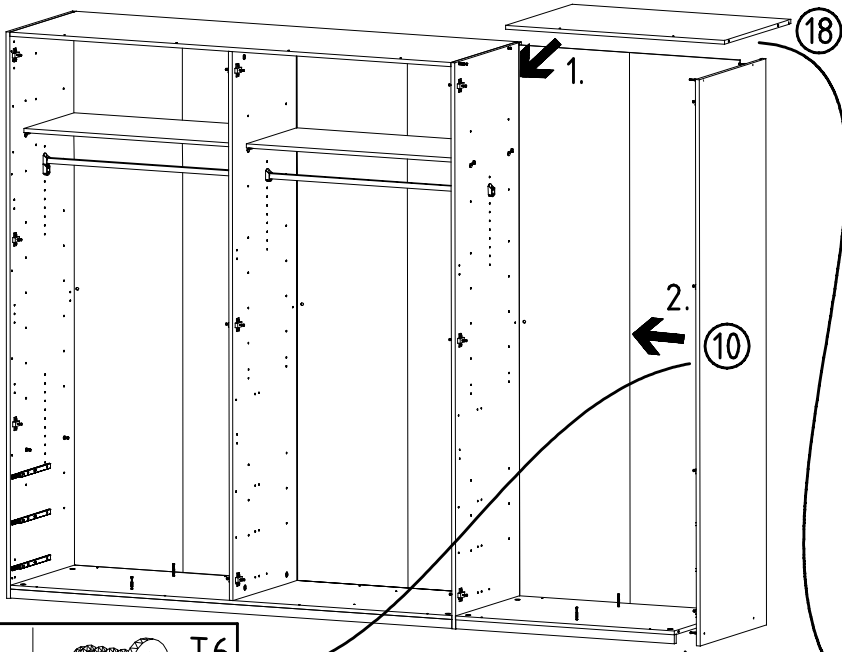
14



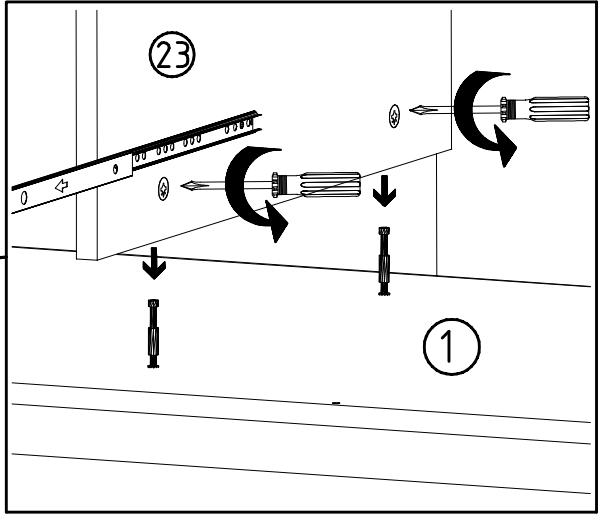
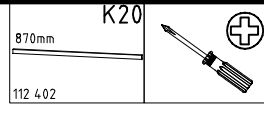
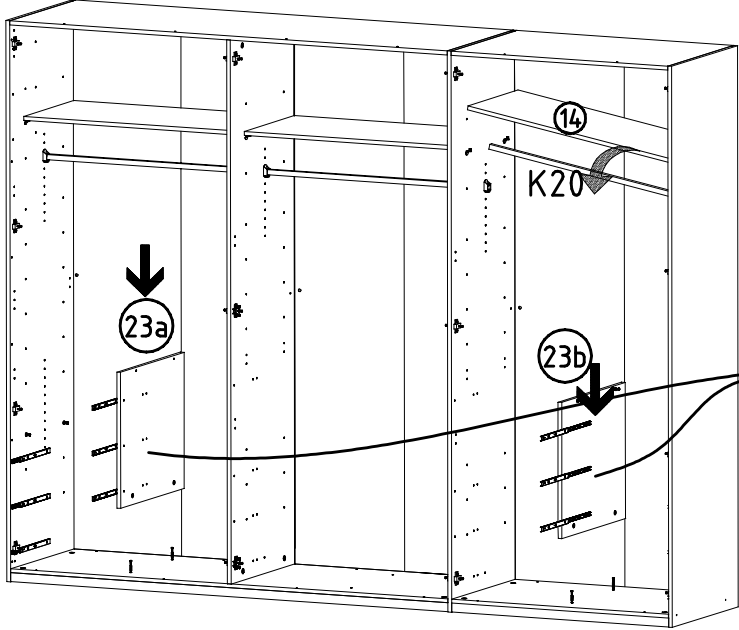
15



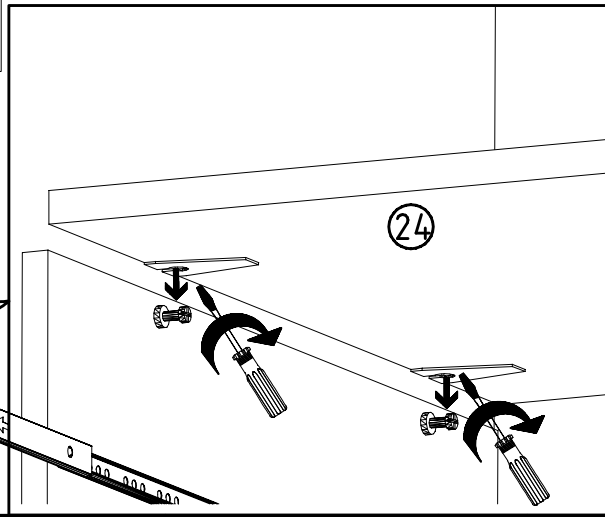
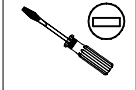
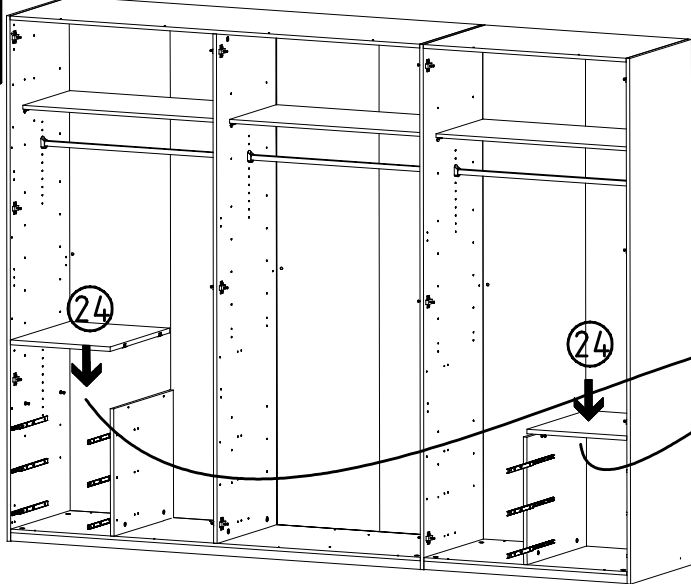
16



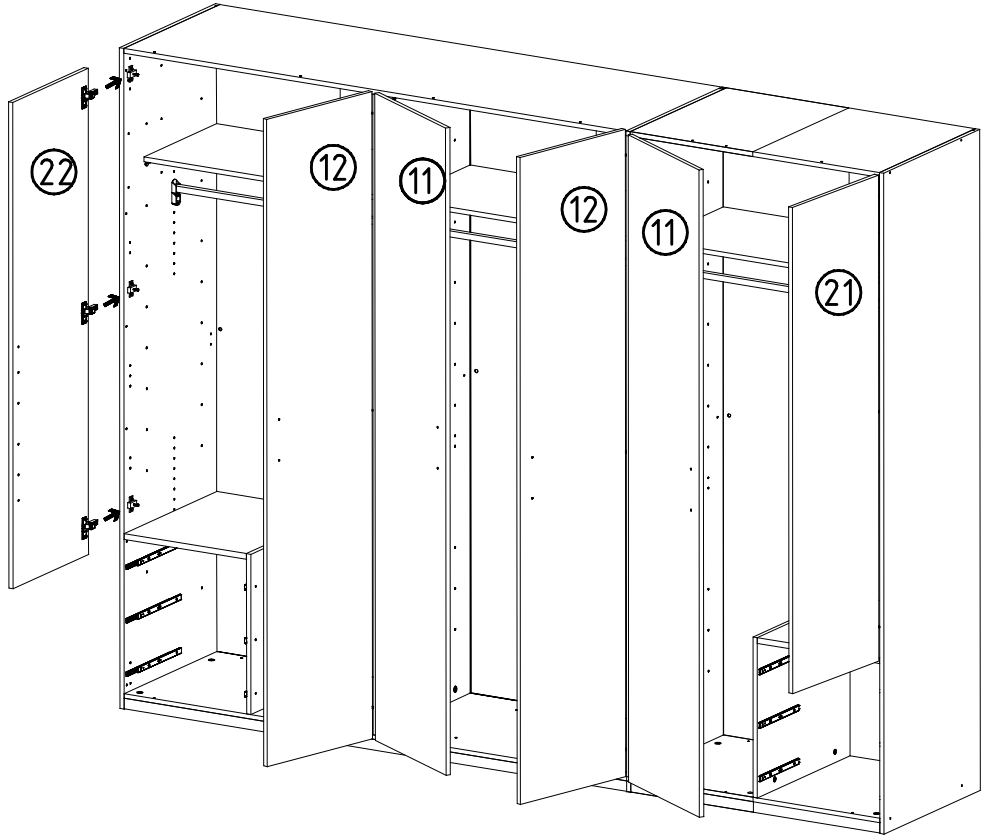
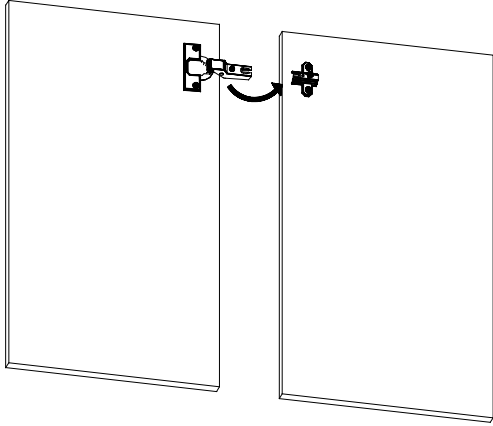
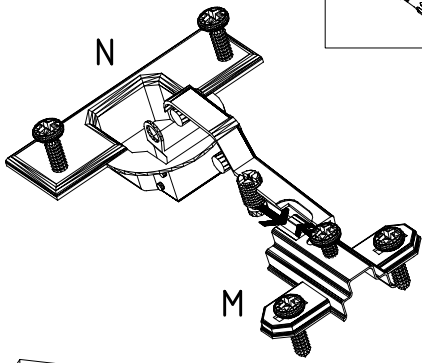
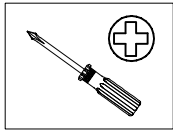
17



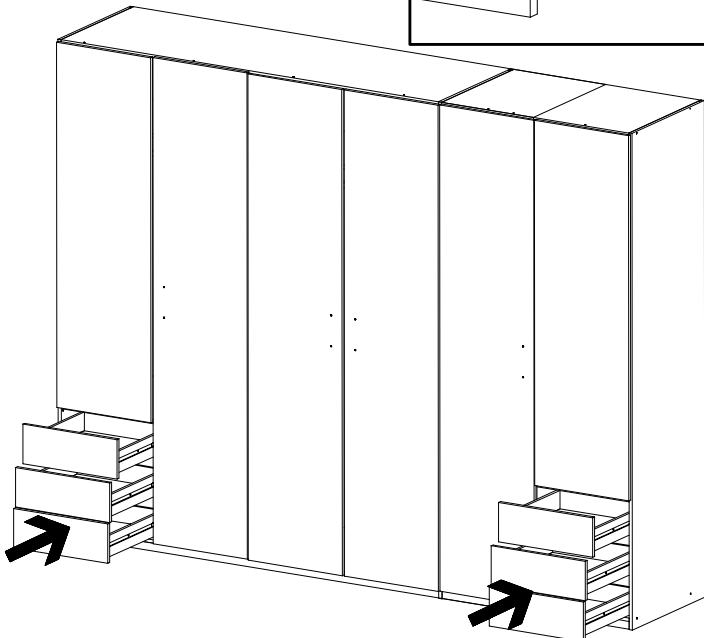
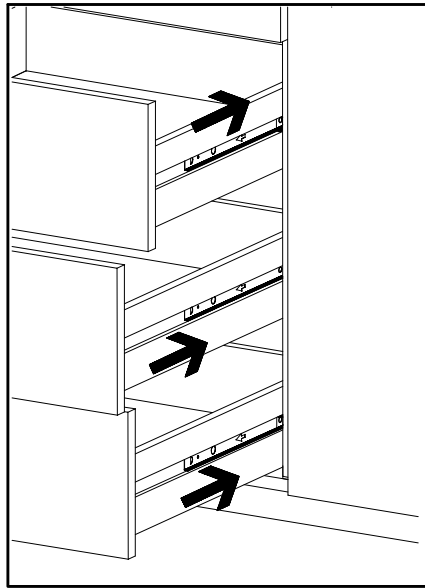
18



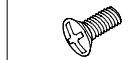
19



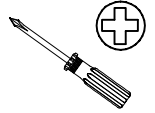
20



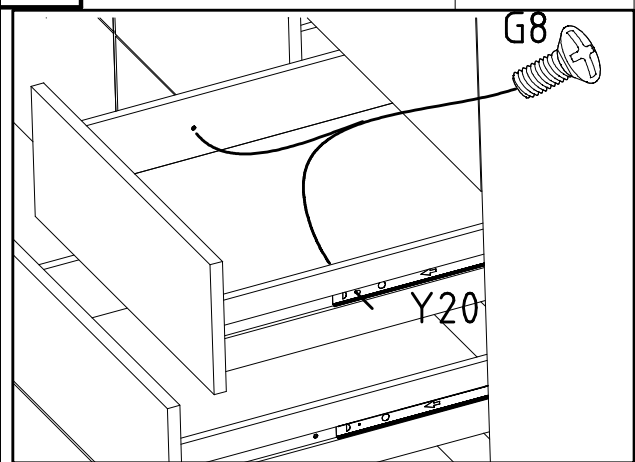
M4 x 9 mm G8

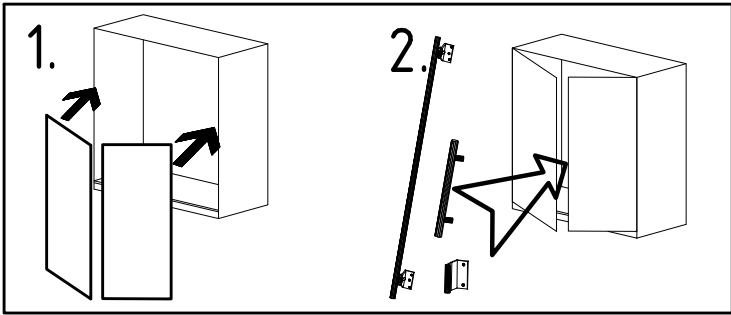
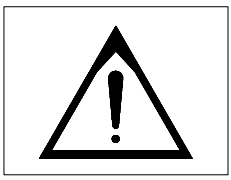


111 015

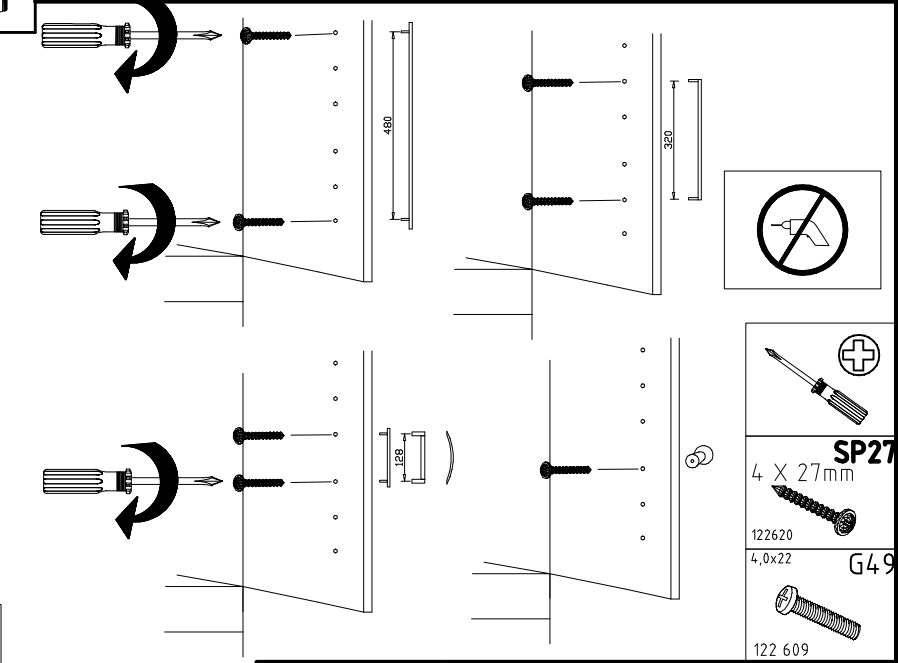
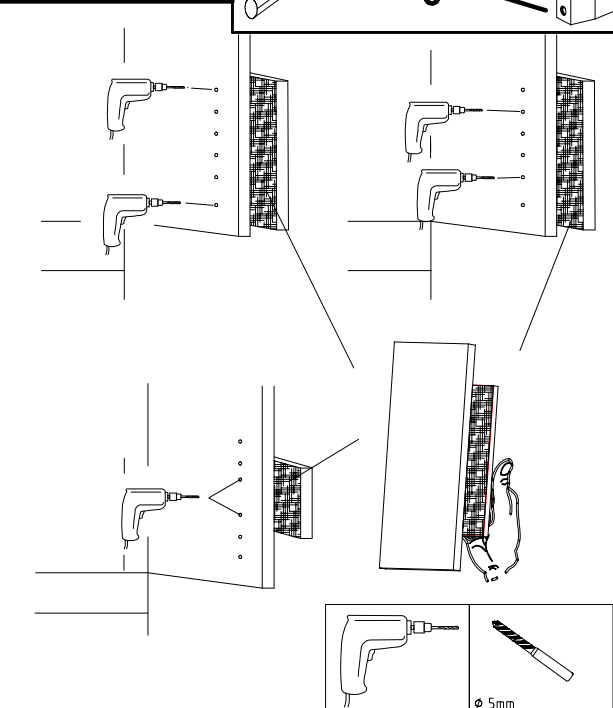
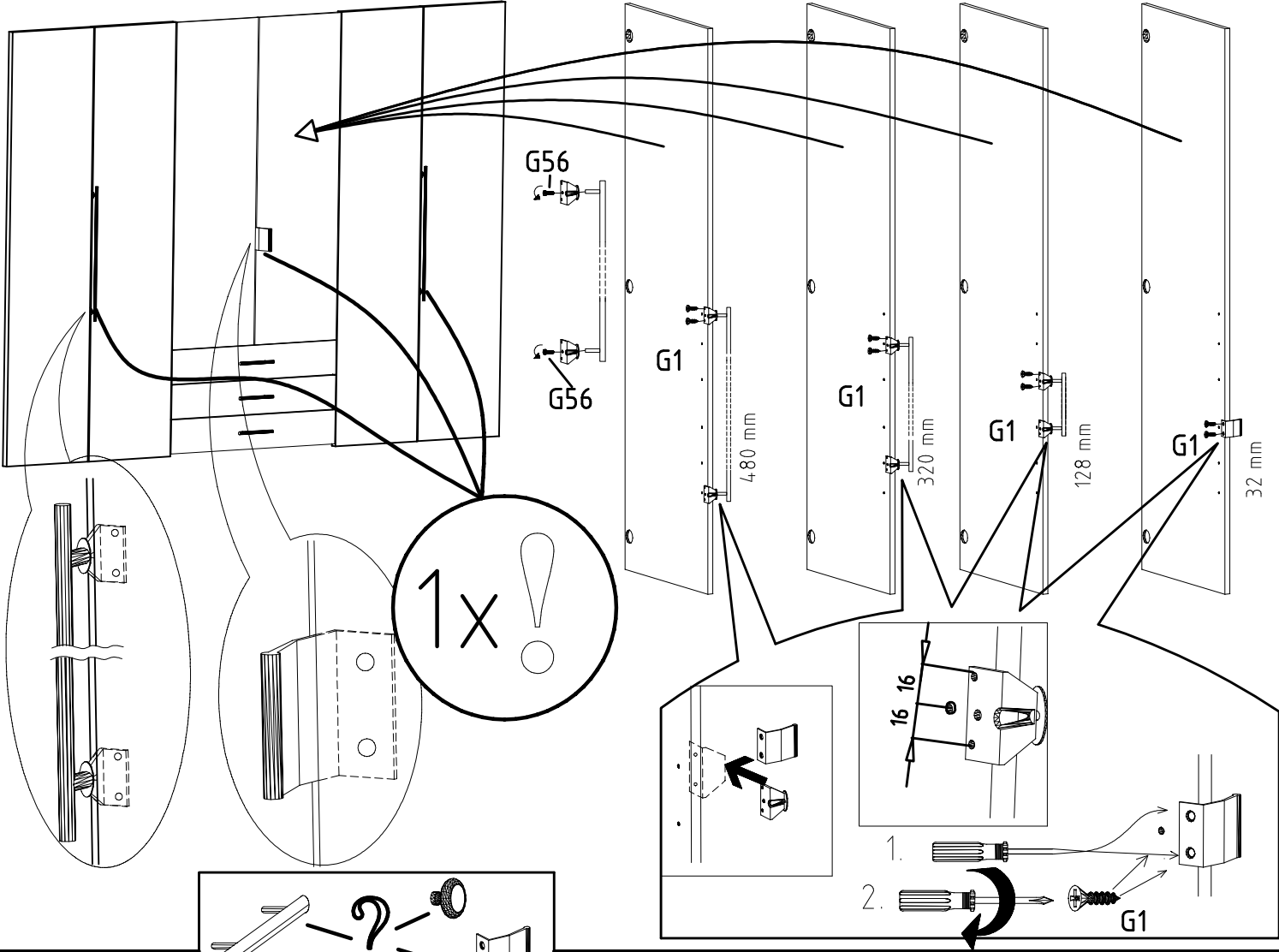


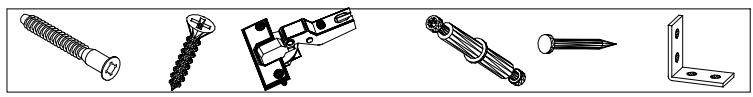
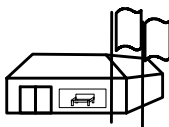
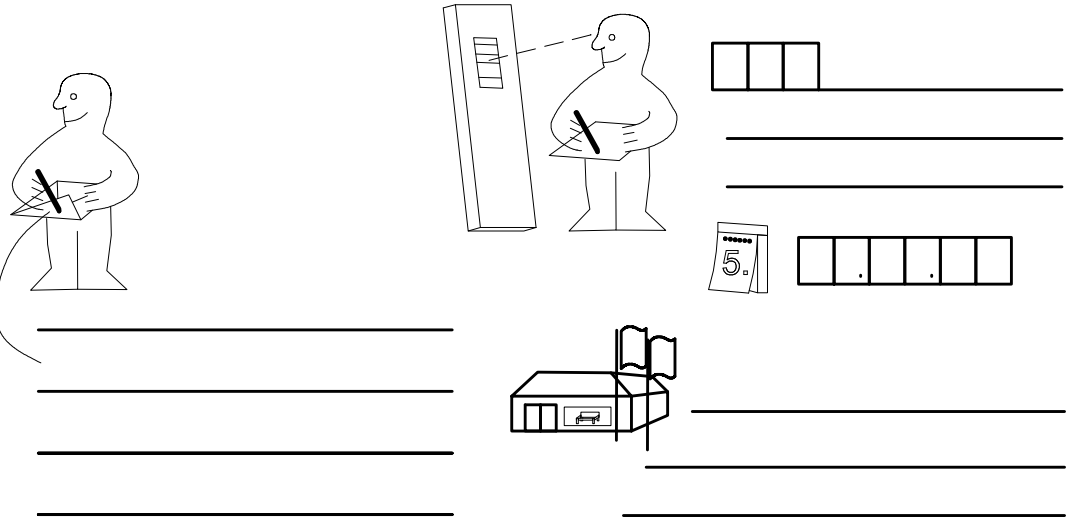
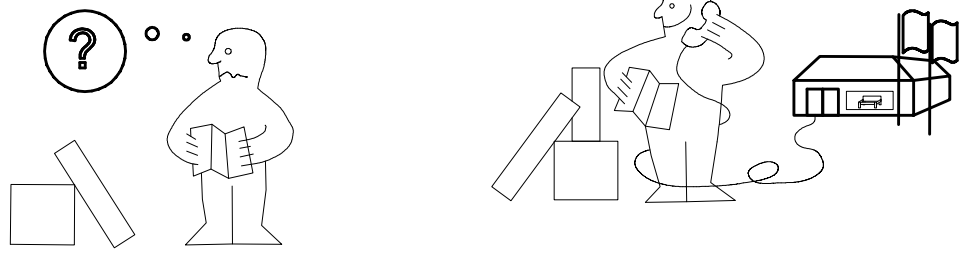
21





3,5 x 15 mm 121 370 	G1	4,0 x 12 mm 122 625 	G56
----------------------------	----	----------------------------	-----





(121 370)	(G 1)	(4x)

