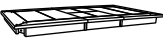







ASSEMBLY INSTRUCTION

DESCRIPTION : RECTANGULAR LEG TABLE

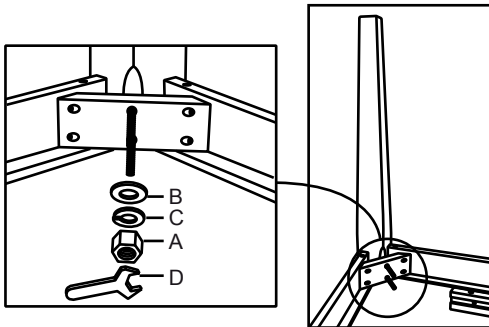
Thank you for purchasing this quality product. Be sure to check all packing material carefully for small parts which may have come loose inside the carton during shipment. Identify and count all parts and compare with the parts List Below :

COMPONENT LIST			
No	DESCRIPTION		QTY
1	Table Top		1 Pce
2	Leg		4 Pcs

3			
ASSEMBLY HARDWARE PACK			
No	DESCRIPTION		QTY
A	Hex Nut		8 Pcs
B	Lock Washer		8 Pcs
C	Flat Washer		8 Pcs
D	Wrench		1 Pc

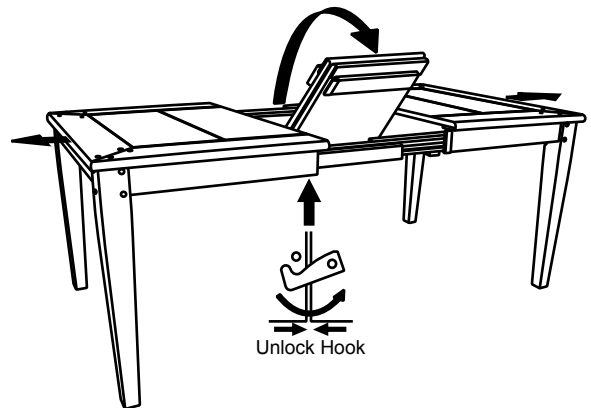
STEP 1

Turn the Table Top upside down on a protective surface such as carpet or other soft material. Place the leg to corner of Apron, then tighten the Flat Washer (B), Lock Washer (C) and Hex Nut (A) using the Wrench (D) provided. Repeat the same for the other legs. Set the Table upright on its legs.



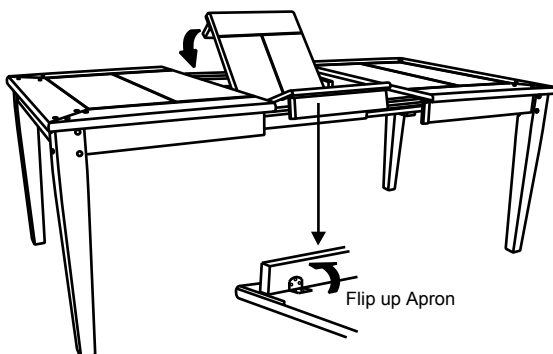
STEP 2

Unlock the hook underneath the table and pull the table top wide open equally from both end. Lift both leaves from the



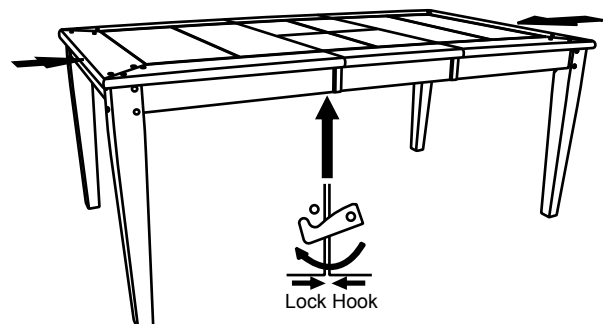
STEP 3

Flip up the aprons and unfold leaf and place the leaf on the Table Top surface carefully.



STEP 4

Push table top from both ends to close. Lock the hook underneath the table.



ASSEMBLY TIPS:

1. Remove hardware from box and sort by size.
2. Please check to see that all hardware and parts are present prior start of assembly.
3. Please follow attached instructions in the same sequence as numbered to assure fast and easy assembly.

⚠ WARNING!

1. Don't attempt to repair or modify parts that are broken or defective. Please contact the store immediately.
2. This product is for home use only and not intended for commercial establishments.