

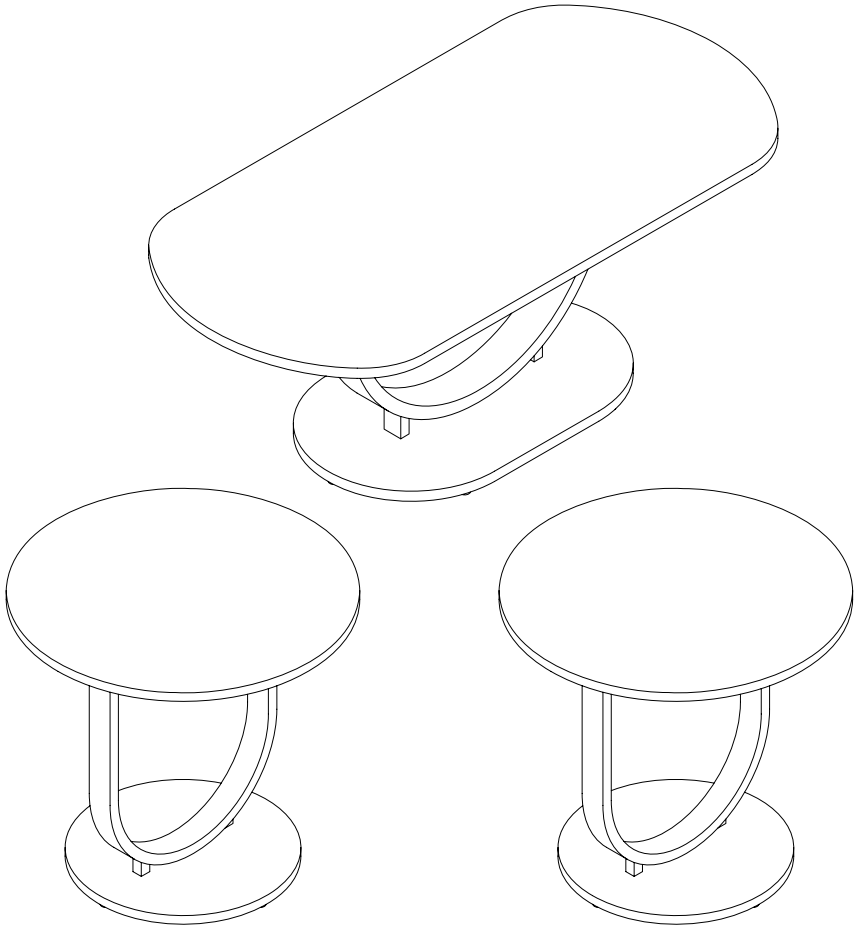
# ASSEMBLY INSTRUCTIONS

---

## TOOLS REQUIRED

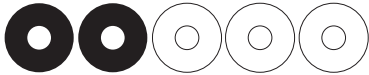


Allen Wrench  
(Included)



2 - People  
Recommended

## ASSEMBLY RATING

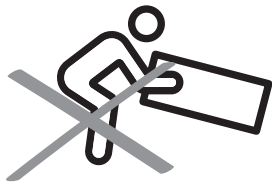


EASY —————> DIFFICULT

The Assembly Rating is a 5-point system showing the level of effort needed to assemble a specific product.

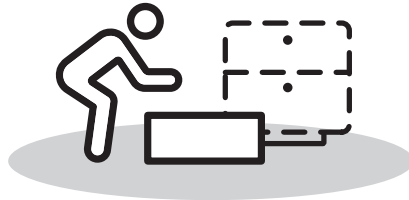
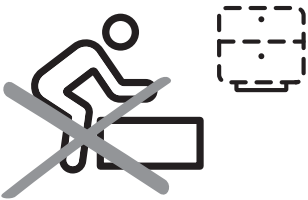
# PRE ASSEMBLY INTRODUCTION

We understand building ready-to-assemble furniture can be a challenging experience for some. To help avoid confusion, we have provided some helpful tips that may speed up the process.



## Teamwork

ALWAYS have at least two people to help with transporting and assembling the product to avoid potential injury and/or damage.



## Suitable Location

Assembling near the area of the intended location is highly recommended.



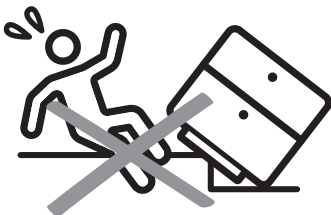
## Sufficient Space

Make sure you have enough space to move around during the assembly.



## Avoid Scratches

Use cardboard, blankets or a carpeted area while assembling furniture to prevent to prevent scratches and damages.



## Flat Surface

Make sure the furniture rests on a flat and level surface with each leg evenly touching the floor.

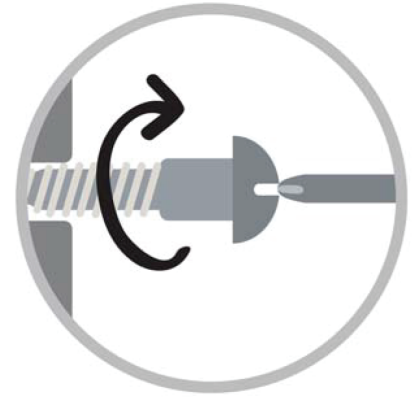
# ASSEMBLY AND CARE ADVICE



**FAILURE TO FOLLOW THE GUIDELINES BELOW MAY RESULT IN INJURY AND/OR PROPERTY DAMAGE.**



Position each part correctly and insert screws or bolts into their respective holes.



Turn clockwise to tighten and only tighten when step is completed or when instructed to do so.



Use the appropriate hand tools or power tools for assembly. Select steps, such as tightening screws and/or bolts, may require hand tools to avoid causing damage during assembly.



Save the instructions and store any supplied tools for later maintenance.



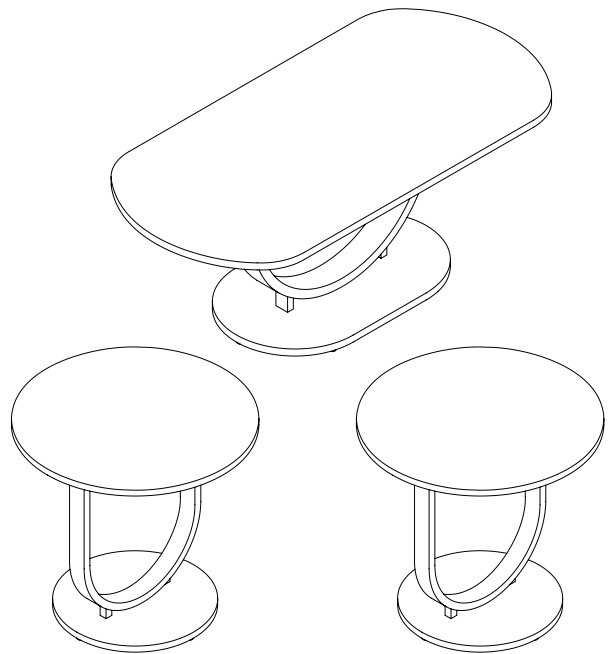
After two weeks, check and tighten any loose hardware and repeat again every six months thereafter.

**IT IS THE USER'S RESPONSIBILITY TO MAINTAIN THE FURNITURE. THE HARDWARE MAY LOOSEN OVER TIME AND MAY CAUSE THE FURNITURE TO BE WOBBLY AND UNABLE TO SUPPORT ITS INTENDED WEIGHT CAPACITY. THIS MAY LEAD TO COLLAPSE AND MAY CAUSE SERIOUS INJURY.**

# 3PK Coffee table sets

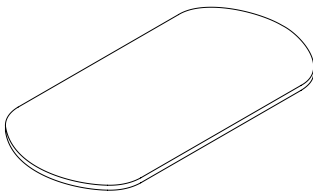


- Please keep instructions for future reference.
- Check the quantity and irregularity of parts and hardware before you start.



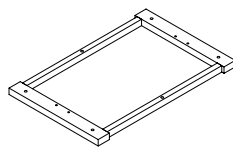
## PARTS

#1 1pc



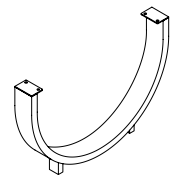
Top Panel 1

#2 1pc



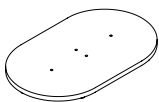
Frame

#3 1pc



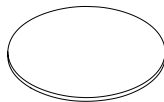
Leg Support 1

#4 1pc



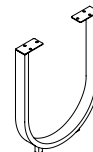
Bottom Panel 1

#5 2pcs



Top Panel 2

#6 2pcs



Leg Support 2

#7 2pcs



Bottom Panel 2

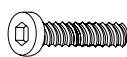
## HARDWARE

#A 16pcs



Bolt  
φ1/4"x1/2"

#B 6pcs



Bolt  
φ1/4"x1-3/16"

#C 12pcs



Bolt  
φ1/4"x1-1/2"

#D 22pcs



Flat Washer  
φ16MM

#E 1pc



AllenWrench

# ASSEMBLY INSTRUCTIONS

1

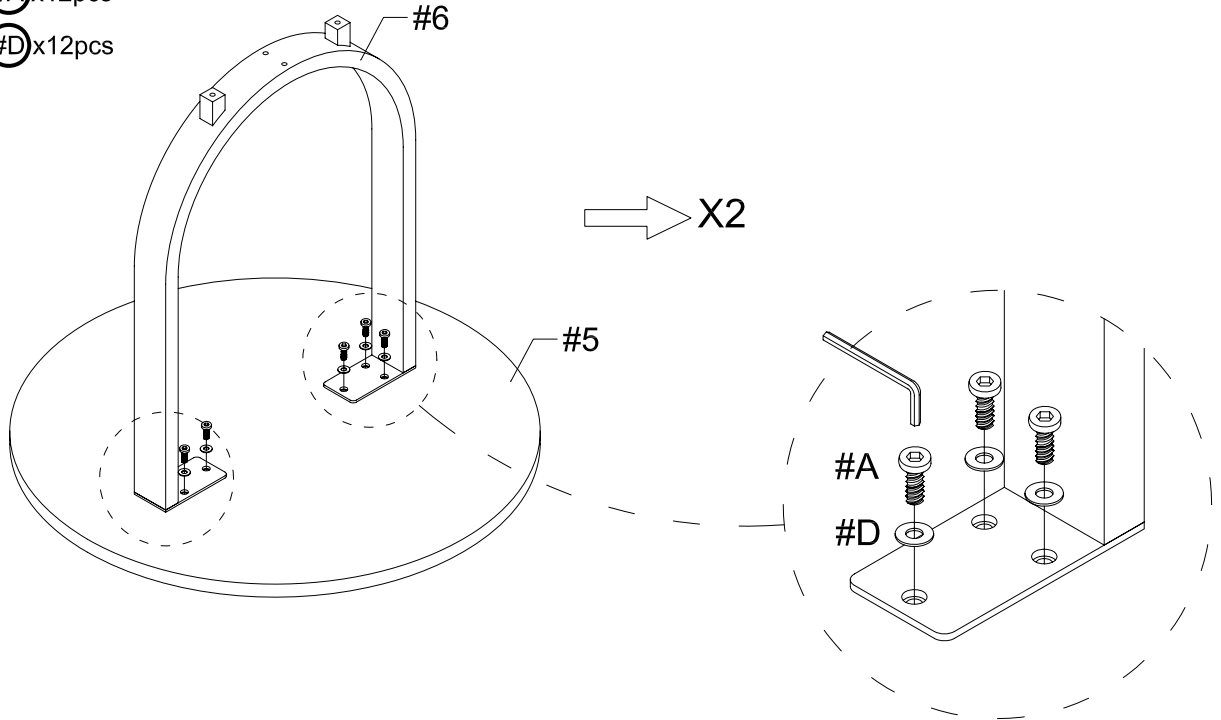
Part #5 x2pcs

Part #6 x2pcs

Hardware #A x12pcs

Hardware #D x12pcs

Align the Leg Support 2 (#6) to the Top Panel 2 (#5). Attach using Washer (#D) with Bolt (#A).

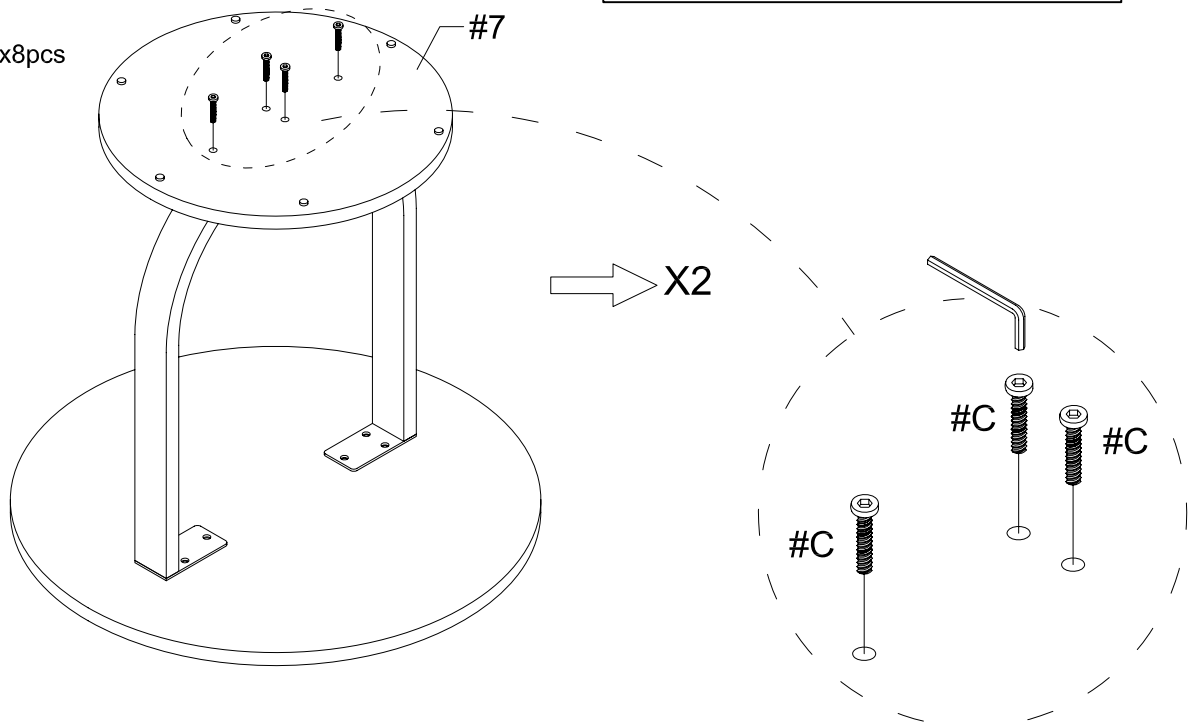


2

Part #7 x2pcs

Hardware #C x8pcs

Align the Bottom Panel 2 (#7) to the Leg Support 2 (#6) and secure with Bolt (#C).



# ASSEMBLY INSTRUCTIONS

## 3

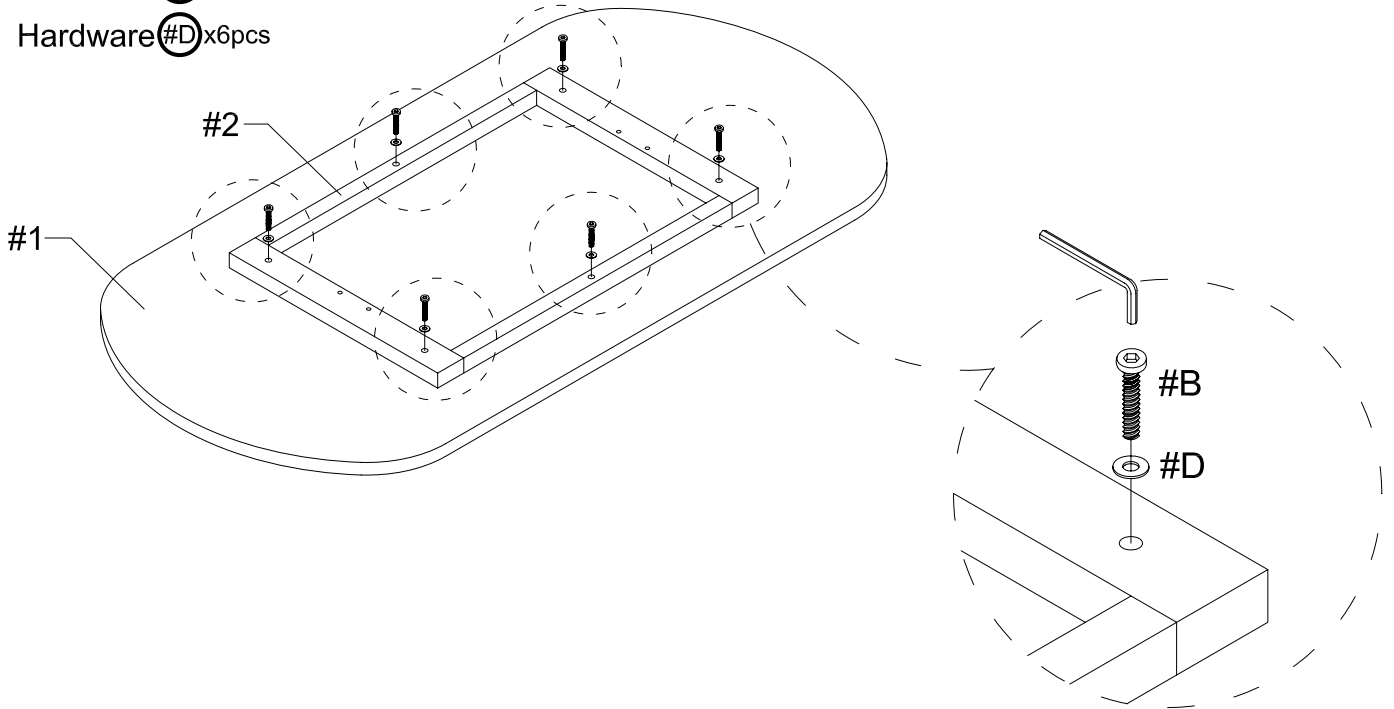
Part #1 x1pc

Part #2 x1pc

Hardware #B x6pcs

Hardware #D x6pcs

Align the Frame (#2) to the Top Panel 1 (#1) and secure using Washer (#D) with Bolt (#B).



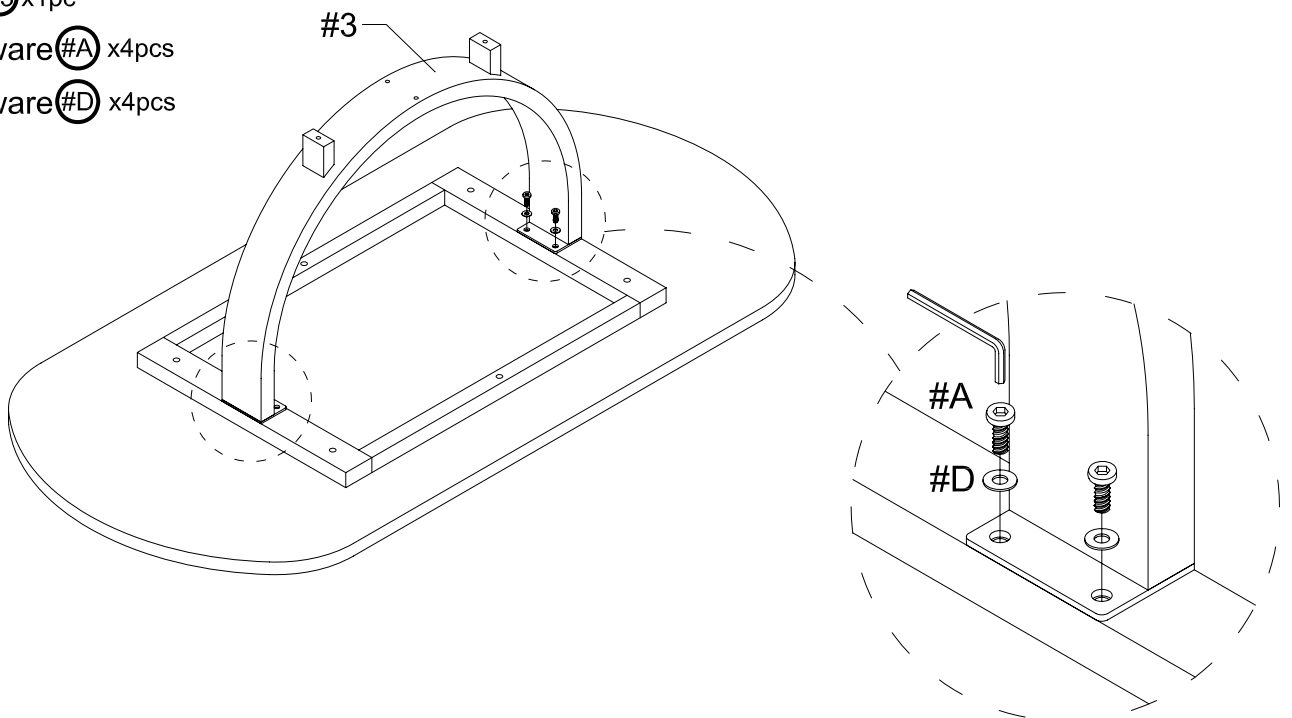
## 4

Part #3 x1pc

Hardware #A x4pcs

Hardware #D x4pcs

Align the Leg Support 1 (#3) to the Frame (#2) and secure using Washer (#D) with Bolt (#A).



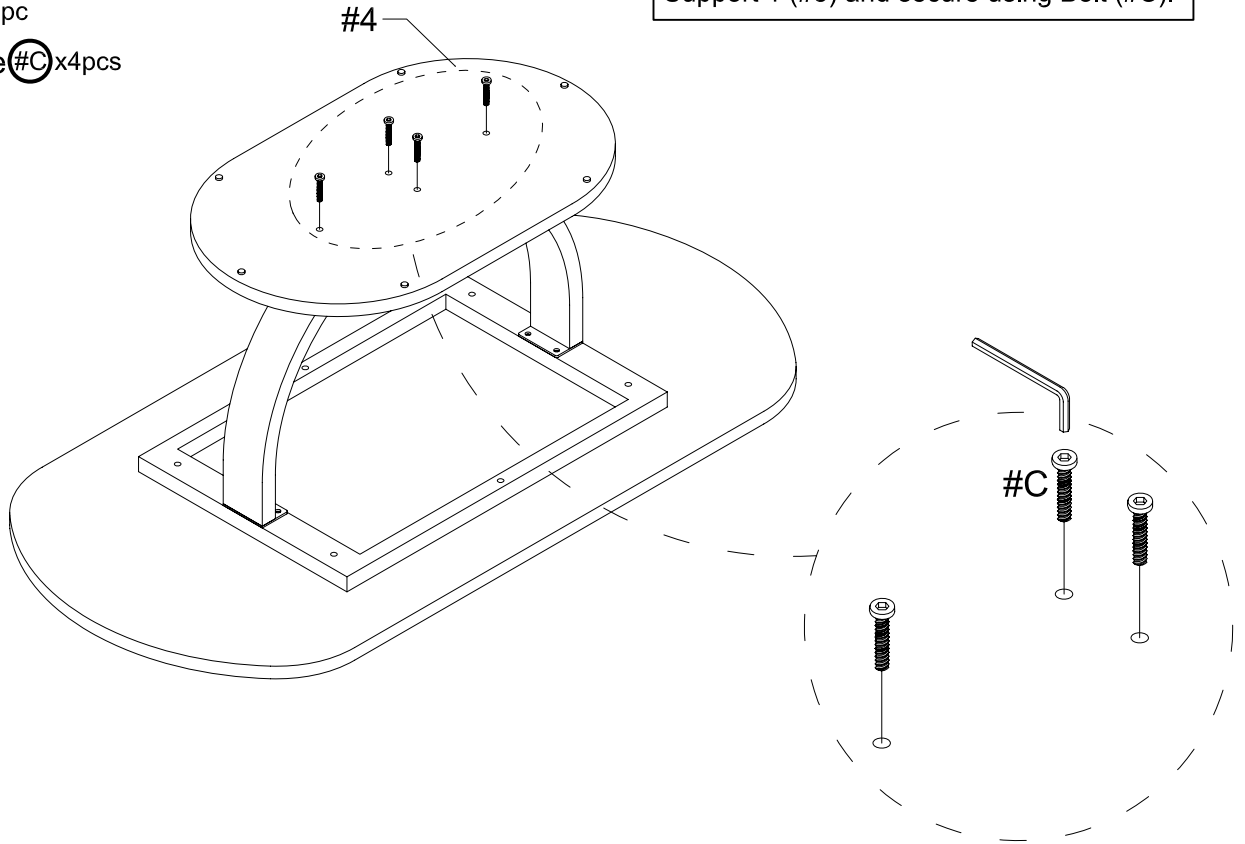
# ASSEMBLY INSTRUCTIONS

## 5

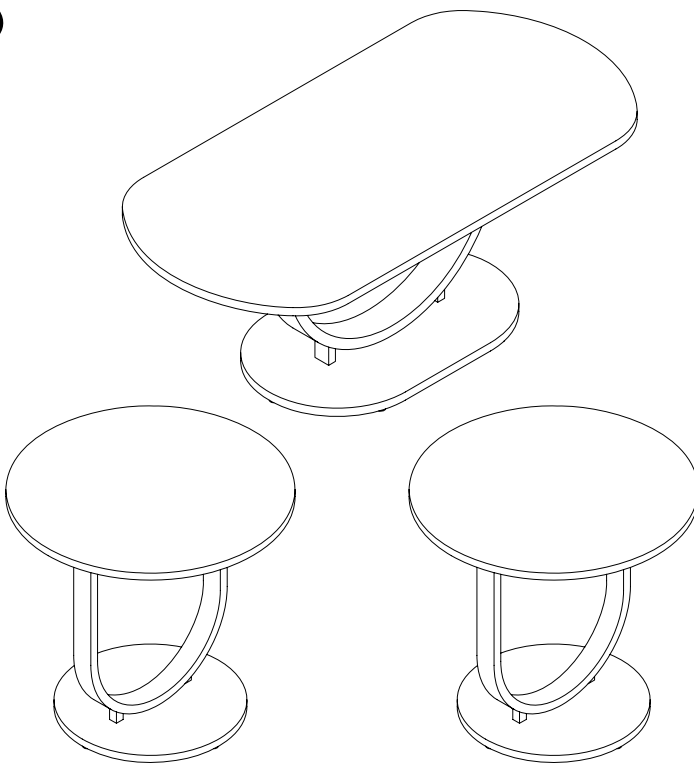
Part #4 x1pc

Hardware #C x4pcs

Align the Bottom Panel 1 (#4) to the Leg Support 1 (#3) and secure using Bolt (#C).



## 6



## ASSEMBLY COMPLETED



Please ensure the furniture rests on an even and flat surface. If the product wobbles or feels loose, double-check all bolts and/or screws are properly tightened and secured.



### Keep this handy!

Please retain this instruction manual and any order-related information for future reference.



### Lift, don't drag!

To avoid damage to product please always LIFT the product when transporting or adjusting the placement.