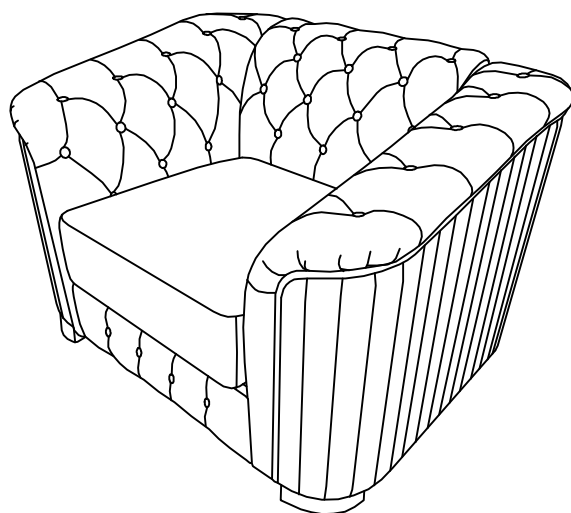
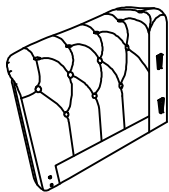
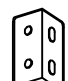

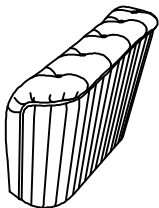



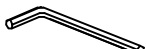
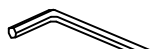
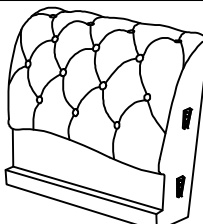
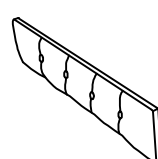


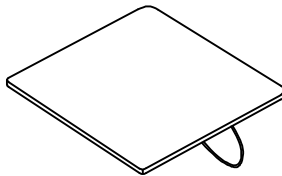


# ASSEMBLY INSTRUCTION

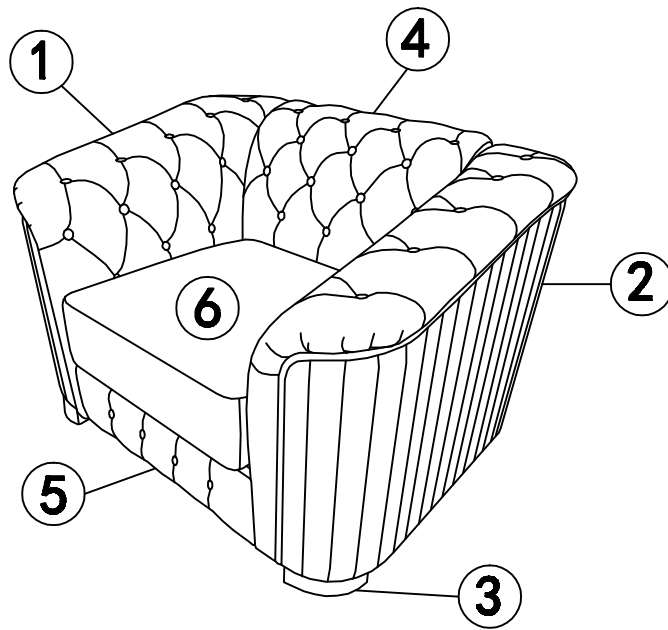
## SKU:N719P282874/N719P282875



**SINGLE SOFA is packed in 2 carton**

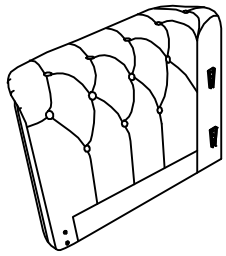
Carton	Disignation	Part		Hardware	
<b>2/2</b>	<b>Left Armrest</b>	①		 <b>Ax2</b>	 <b>Bx8</b>
	<b>Right Armrest</b>	②		 <b>Cx8</b>	 <b>Dx8</b>
	<b>Leg</b>	③		 <b>M4 Ex1</b>	 <b>M6 Fx1</b>
<b>1/2</b>	<b>Backrest</b>	④			
	<b>Front Board</b>	⑤			
	<b>Seat Cushion Filling</b>	⑥			
	<b>Seat Cushion Cover</b>	⑦			
	<b>Seat Frame</b>	⑧			

# ASSEMBLY INSTRUCTION



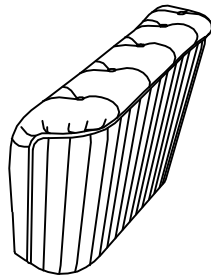
## PART LIST

① 1pc



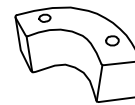
Left Armrest

② 1pc



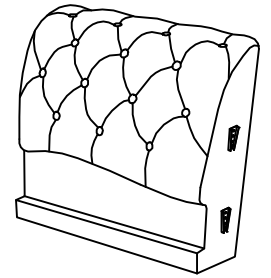
Right Armrest

③ 4pcs



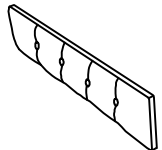
Leg

④ 1pc



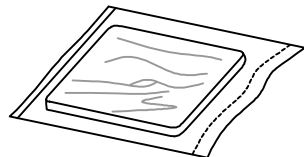
Backrest

⑤ 1pc



Front Board

⑥ 1pc



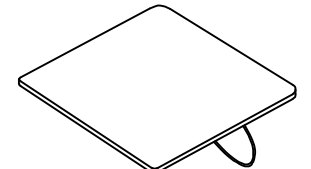
Seat Cushion Filling

⑦ 1pc



Seat Cushion Cover

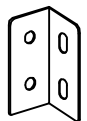
⑧ 1pc



Seat Frame

## HARDWARE LIST

A 2pcs

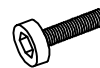


B 8pcs



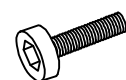
Flat washer

C 8pcs



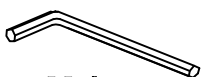
Bolt

D 8pcs



Bolt

E 1pc



M4  
Allen Key

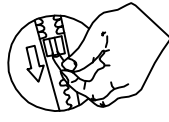
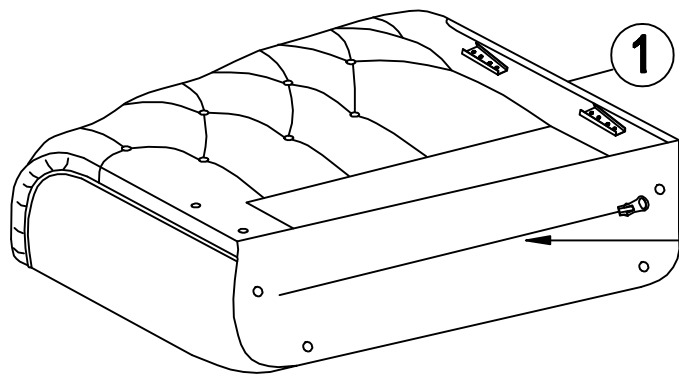
F 1pc



M6  
Allen Key

# ASSEMBLY INSTRUCTION

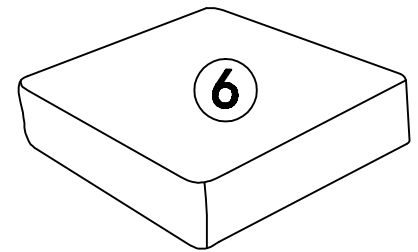
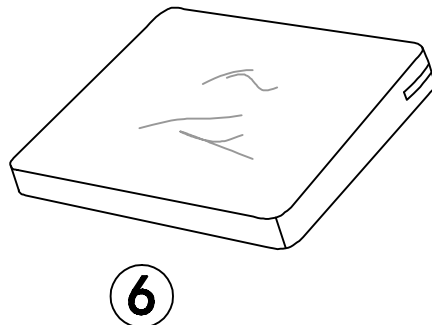
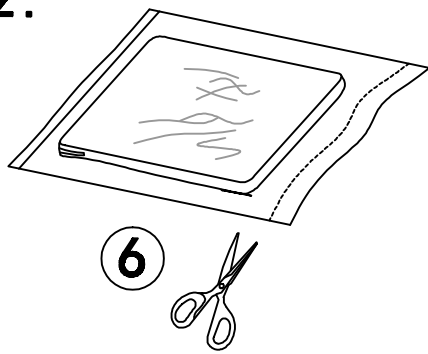
## STEP 1:



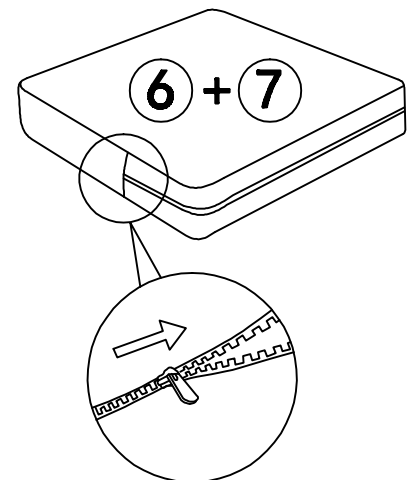
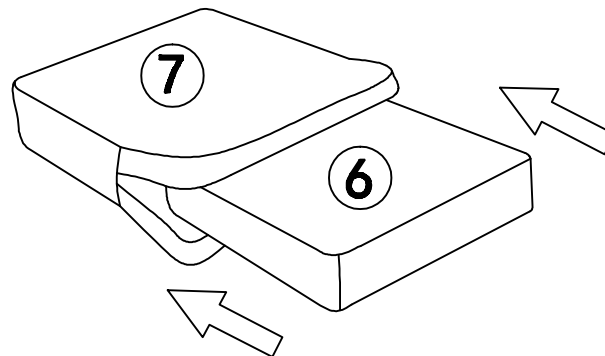
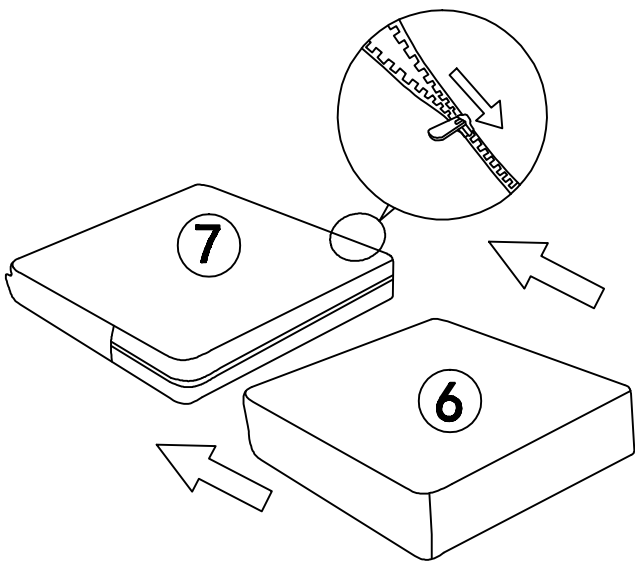
③ 4pcs	A 2pcs	C 8pcs	D 8pcs
B 8pcs	E 1pc	F 1pc	

Take out hardware

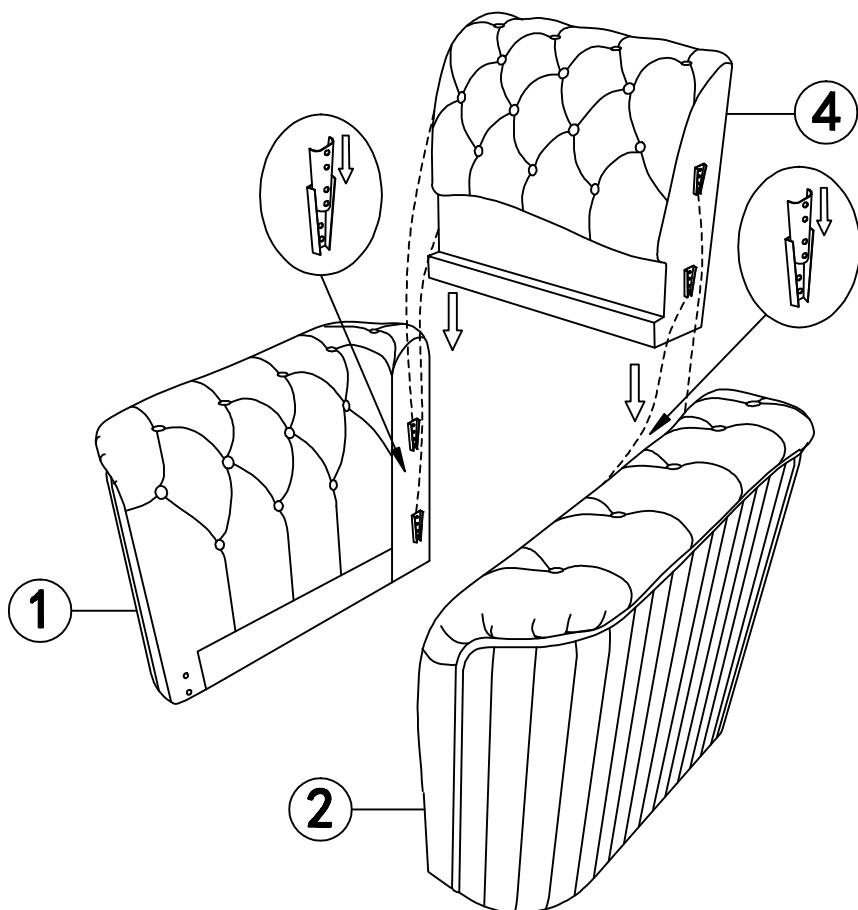
## STEP 2:



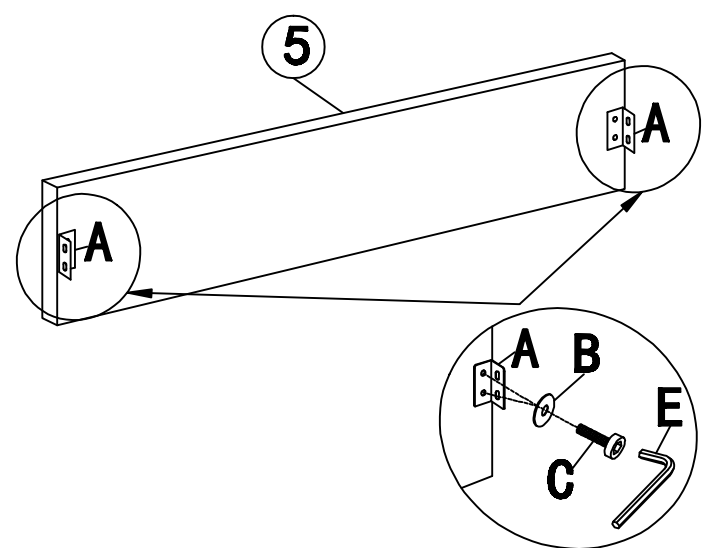
Please wait for 72 hours.



## STEP 3:

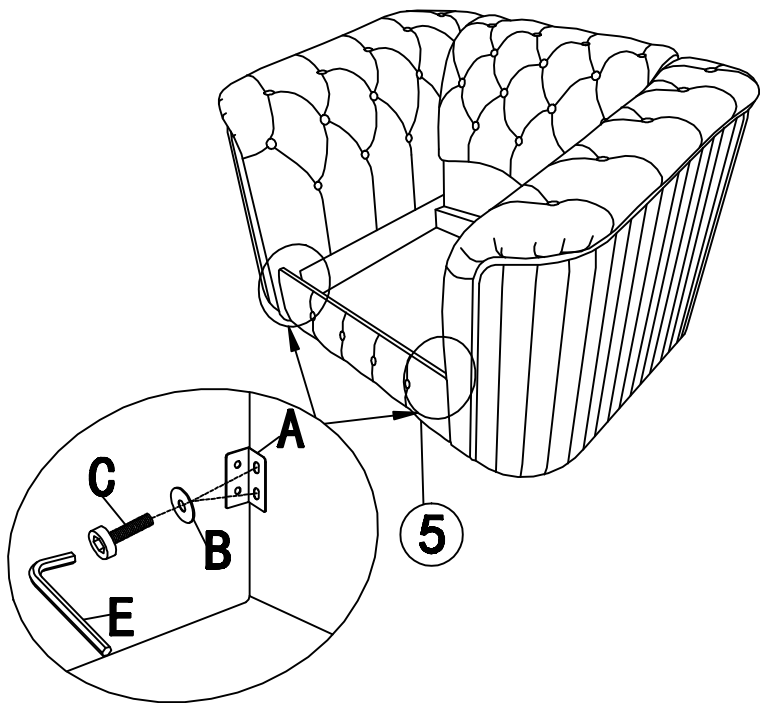


## STEP 4:

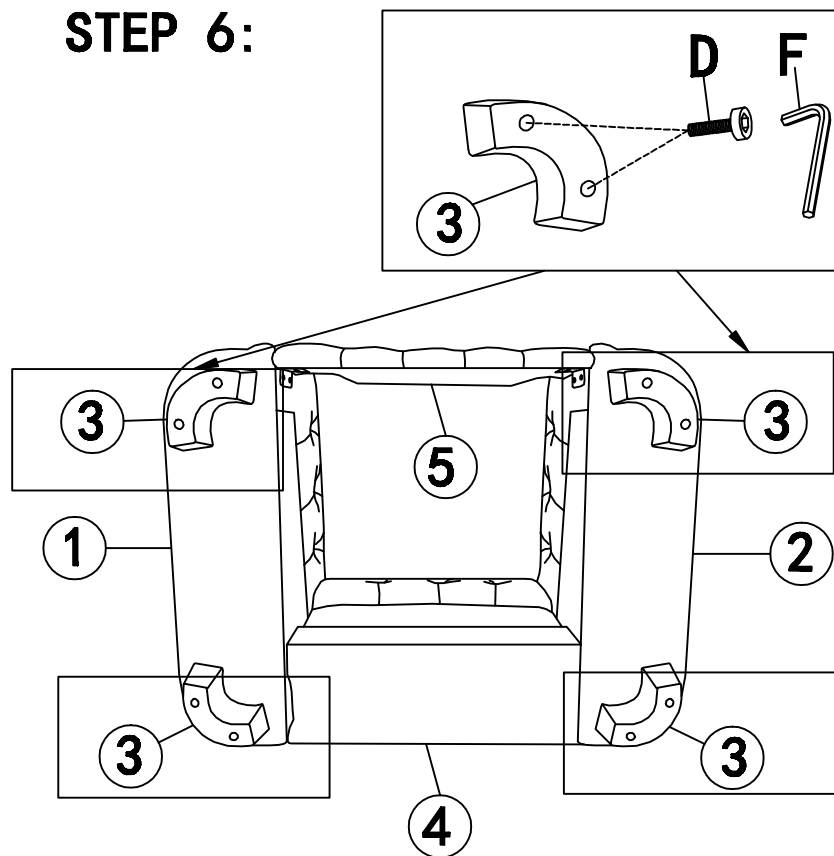


# ASSEMBLY INSTRUCTION

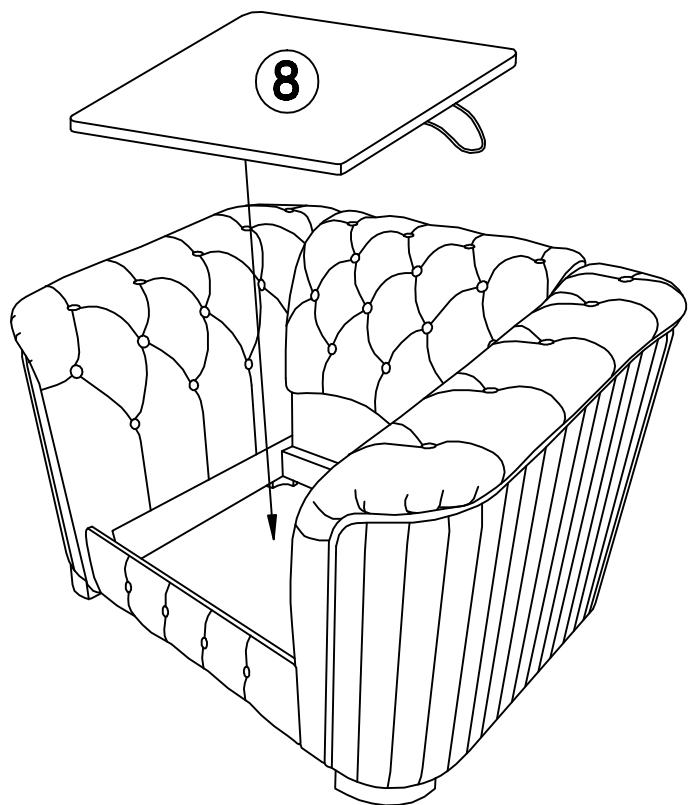
STEP 5:



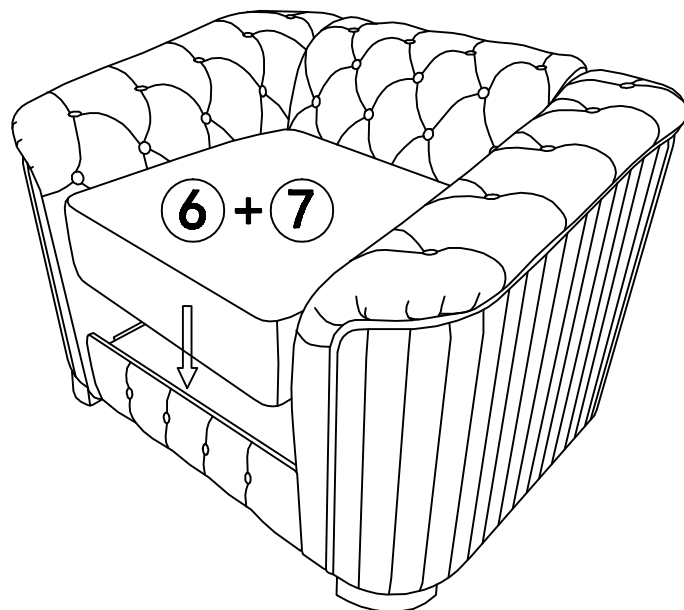
STEP 6:



STEP 7:



STEP 8:



STEP 9:

