

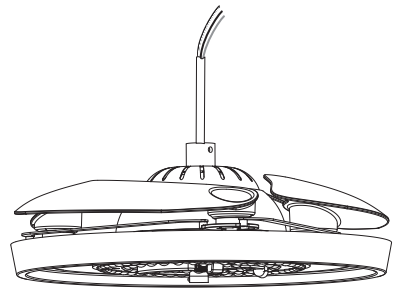
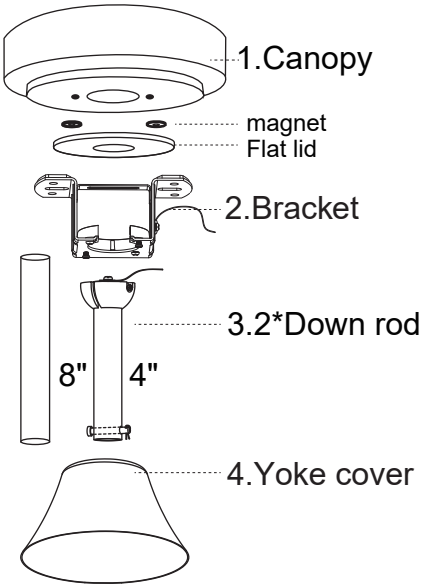
Ceiling Fan Installation Instructions

Retractable ceiling fan with lights

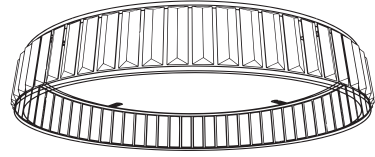
SAFETY TIPS

- WARNING:** 1.To avoid possible electric shock,turn off the electricity at the main fuse box or circuit panel before you begin the fan installation or before servicing the fan or installing accessories.
- WARNING:** 2.The outlet box and ceiling support joist used must be securely mounted, and capable of supporting at least 100 pounds (45.4kg).To reduce the risk of fire,electric shock or personal injury, mount to the outlet box marked acceptable for fan supported and use mounting screws provided.The box must be supported directly by the building structure.Most outlet boxes commonly used for the support of lighting fixtures are not acceptable for fan support and may need to be replaced. Consult a qualified electrician if in doubt.
- WARNING:** 3.To reduce the risk of electrical shock and fire, do not use this fan with any solid-state fan speed control device,or rheostat.
- WARNING:** 4.To reduce the risk of personal injury,do not bend the blade brackets (also referred to as "flanges") during assembly or after installation.Do not insert objects in the path of the blades.
- WARNING:** 5.This product is not intended for use by persons (including children) with reduced physical, sensory or mental capabilities are different or are impaired, or lack of experience or knowledge, unless such persons are supervised or trained to operate the appliance by a person responsible for their safety.
- CAUTIONS:**1.Read all instructions and safety information carefully before installing your fan and save these instructions.
- 2.Make sure all electrical connections comply with local codes or ordinances and the National Electrical Code. If you are unfamiliar with electric wiring, please use a qualified and licensed electrician.
- 3.Make sure you have a location selected for your fan that allow clear space for the blades to rotate, and at least seven (7) feet of clearance between the floor and the fan blade tips.The fan should be mounted at least thirty (30) inches from walls or other upright structures.
- NOTE:** The important safety precautions and instructions appearing in the manual are not meant to cover all possible conditions and situations that may occur.It must be understood that common sense and caution are necessary factors in the installation and operation of this fan.

Package Lists

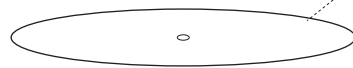


5.Motor Body + LED light Source

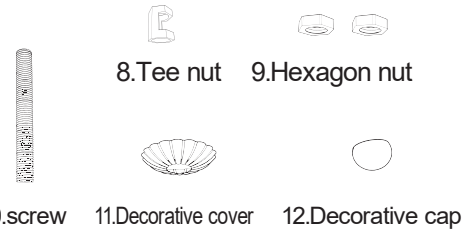
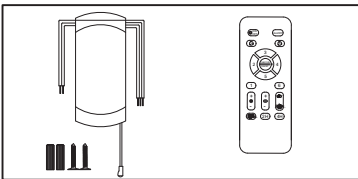


6.Light shade

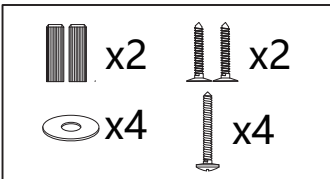
7.Glass



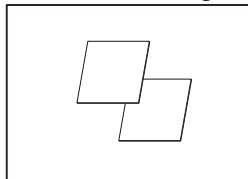
7.Remote control unit



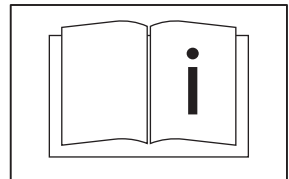
Hardware kit



Blade balancing kit



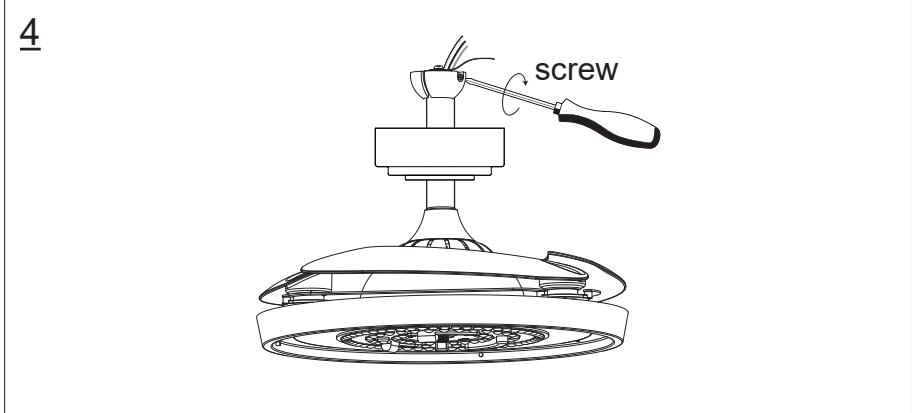
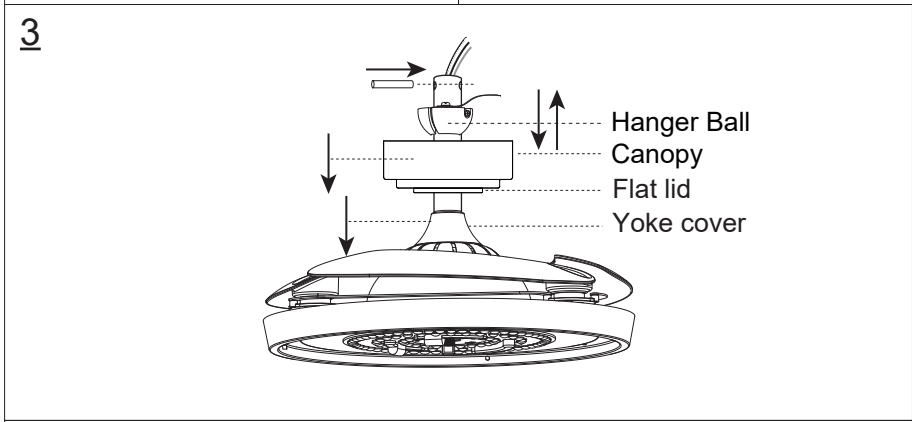
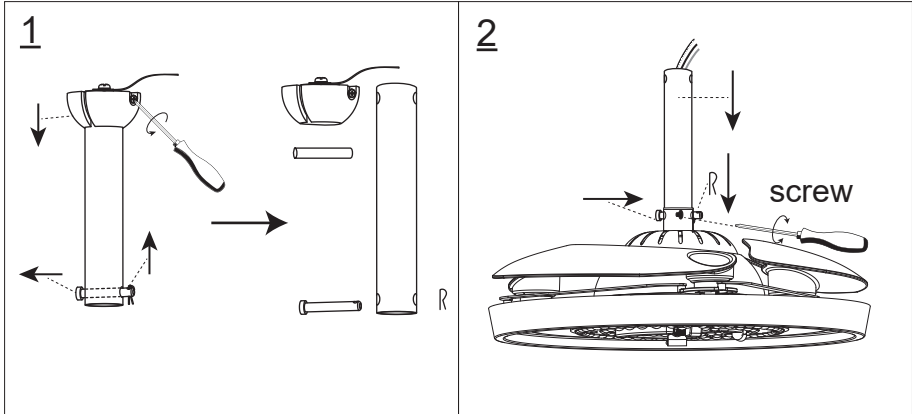
Instructions manual



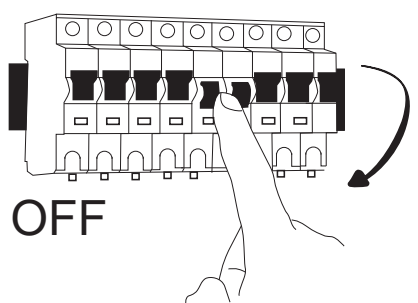
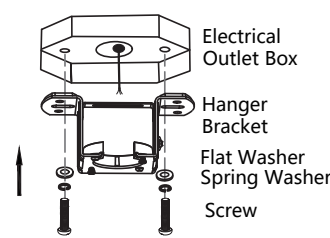
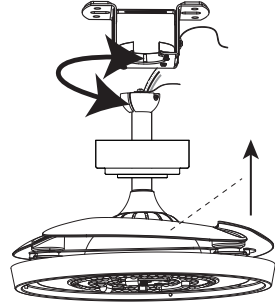
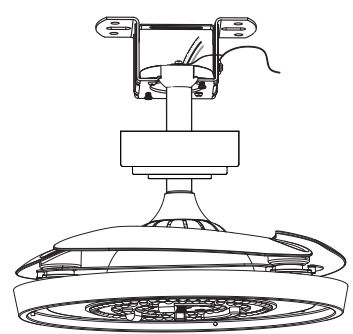
Tools Needed



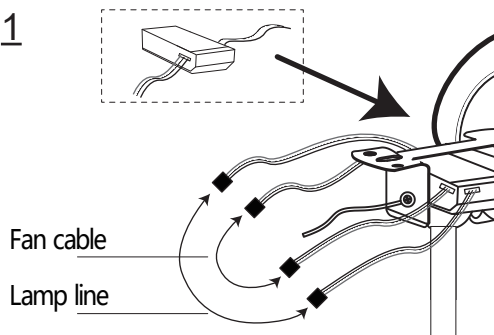
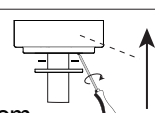
Step 1(Down rod and motor assembling)



Step 2 (Ceiling bracket and fan body installation)

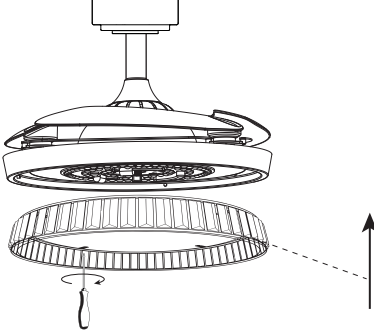
<p>1</p>  <p>OFF</p>	<p>2</p>  <p>Electrical Outlet Box Hanger Bracket Flat Washer Spring Washer Screw</p> <p>Note: If there is an existing outlet box on the ceiling, ensure it is clearly marked "Suitable for Fan Support". If not, it must be replaced with an approved one. Also must be support a minimum of 100 pounds(45.4kg).</p>
<p>3</p>  <p>Note : Make sure the ball slot match the inner arc projecting part of bracket as double-headed arrow indicates.</p>	<p>4</p> 

Step 3 (Put receiver into ceiling bracket and wiring)

<p>1</p>  <p>Power live wire(black)L Power neutral wire(white)N Hanging bracket Receiver Fan cable Lamp line</p> <p>▲ Butt joint of lines with the same color</p> <p>FAN</p>	<p>2</p>  <p>Take out 2 pcs pre-installed screws which is loosened from the bracket then put the canopy on the right position and screw.</p>
---------------------------------------------------------------------------------------------------------------------------------------------------------------------------------------------------------------------------------------------------------------------------------------------------	----------------------------------------------------------------------------------------------------------------------------------------------------------------------------------------------------------------------------------------

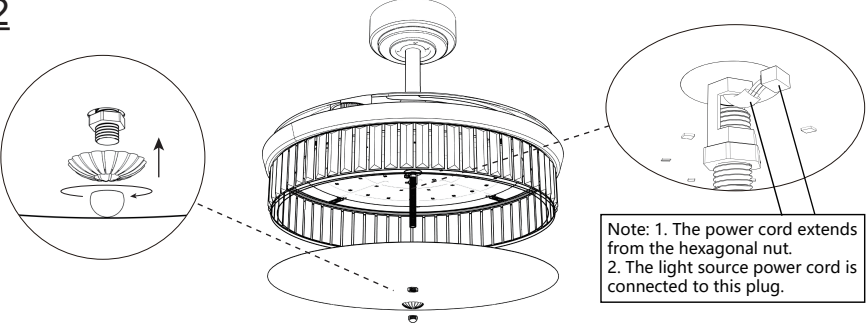
Step 4 (Light shade installation)

1



1. Turn off the power supply and fix the hardware rack to the site with screws.

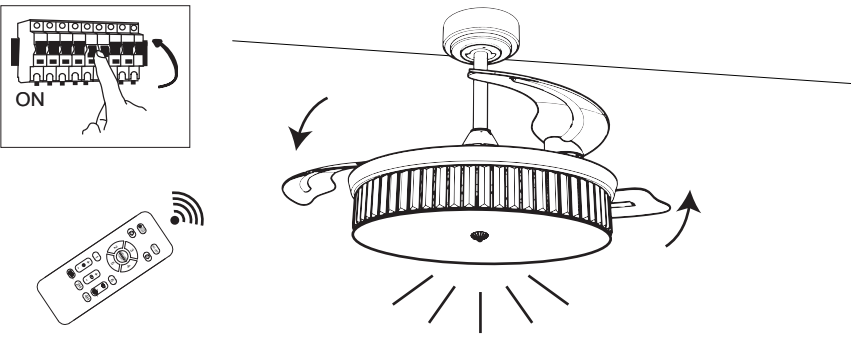
2



Note: 1. The power cord extends from the hexagonal nut.
2. The light source power cord is connected to this plug.

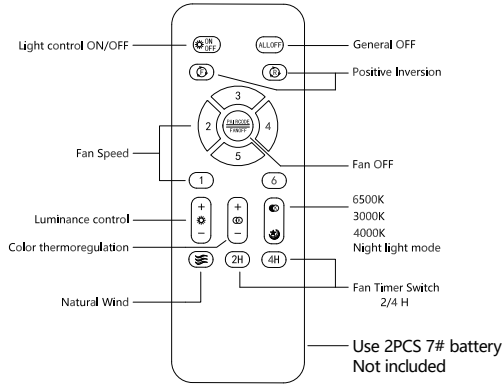
2. Turn off the power, connect the tee with the nut and screw, and lock the fixed glass with the chrysanthemum decorative cover.

Step 5(Switch on and test if ceiling fan works)



ON

Remote control (Transmitter) operation



Trouble Shooting

Fan does not work :

1. Check all fuses or circuit breakers if disconnecting the power supply to the fan.
2. Turn off electrical power and check all wire connections to fan and in switch housing. It must be carried out by a electrician.
3. Replace remote control battery if necessary ,otherwise re-synchronize the transmitter and receiver. Please press and hold the fan speed LOW and MED buttons at the same time within 5 seconds after the product is powered on , until you hear two beeps to succeed . If it does not work . Please try again .

Fan is noisy :

1. Assure that the screws fastening blade arm to motor are tight and the lock washers provided for that purpose have been used.
2. Lower the upper canopy to ensure a separation from the ceiling of no less than 3mm to reduce noisy.
3. Check to see if any of the blades are cracked .If so,replace all of the blades
4. If this is the first use ,leave the fan on for at least 8 hours. In the event that mechanical noise continues after this period,contact certified electrician.

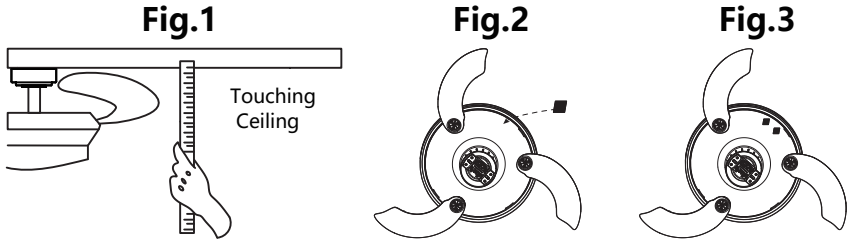
Fan turns but the airflow is inadequate :

1. The fan may be running in reverse, so air is going upward.
2. The room may contain items that obstruct the air flow.
3. The fan may be too small for size of the room.

Fan shakes or wobbles :

1. The fan blades are not parallel to the ceiling .See Fig.1 how to inspect
2. Make sure mounting bracket is tightened at outlet box with no movement at all.
3. Make sure all screws holding the blades to the blade arm and blade arm to motor are tight.
4. Use the balance kit and instructions to balance the fan. Please see the last pages described.

Balancing – Wobbling problems during fan operation



If the fan body wobbles during its operation, this is not a sign of malfunctioning (even if it wobbles a few centimeters). To reduce wobbling, you can do below steps while the fan is off.

- 1 Check that all blades are properly fastened by tightening their screws.
- 2 Check the distance between each blade and the ceiling. Measurements to the ceiling can be carried out as shown in the Fig.1. If variations exist and you have already correctly tightened the screws, check that all blades have the same shape. If any of them have a shape that is visibly different, this may be causing an imbalance during fan operation.

If you have completed the previous steps and the wobbling has not resolved, you should apply blade balancing kit provided, as explained below:

1. Turn the fan on to the highest speed so that the greatest amount of wobbling is produced.
2. Turn off the fan. Select a place on the black fixture under the blades to put the black square sticker on it. See Fig.2, Fig.3.
3. Turn on the fan and check whether the wobbling has improved or gotten worse. Turn it off once again and if the wobbling has not improved, place the black sticker on another black fixture. Repeat this process and determine on which black fixture position improves the wobbling.
4. After try this way several times and will find the best result no wobbling.

Warranty: Manufactures guarantees the proper functioning of this equipment, spare parts of the model owing to faulty manufacture during 2 years after the surrender date, 10 years exclusively in the case of the fan motor. Responsibility will not be accepted, however, for damages or injury caused through misuse.

Maintenance :

- 1.The fan's natural movements may cause some connections to loose. A clicking or rattling noise is a certain sign of loosening screws. Check the support connections, brackets and blade attachments twice a year, and tighten all screws as necessary.
- 2.Clean your fan periodically. Use only a cloth dampened with a mild detergent solution. Never use solvents. Dust with a soft cloth or brush. Metal finishes are finished with a lacquer to prevent tarnishing.
- 3.You will never need to oil your fan. Its permanently sealed bearings will provide silent, trouble free operation for many years.
- 4.Make sure the power is turned off at the main fuse or circuit panel before you attempt any repair.