

Features

- 8" (203 mm) centers.
- Drilled for concealed arm carrier.
- With hanger.
- With overflow.
- Soap dispenser hole on right.
- 20-3/4" (527 mm) x 18-1/4" (464 mm).

Material

- Vitreous china.

Installation

- Wall-mount

Recommended Accessories

K-8998 P-Trap

Components

Additional included component/s: Hanger (2 Required).



ADA

Codes/Standards

ASME A112.19.2/CSA B45.1

ADA





ICC/ANSI A117.1

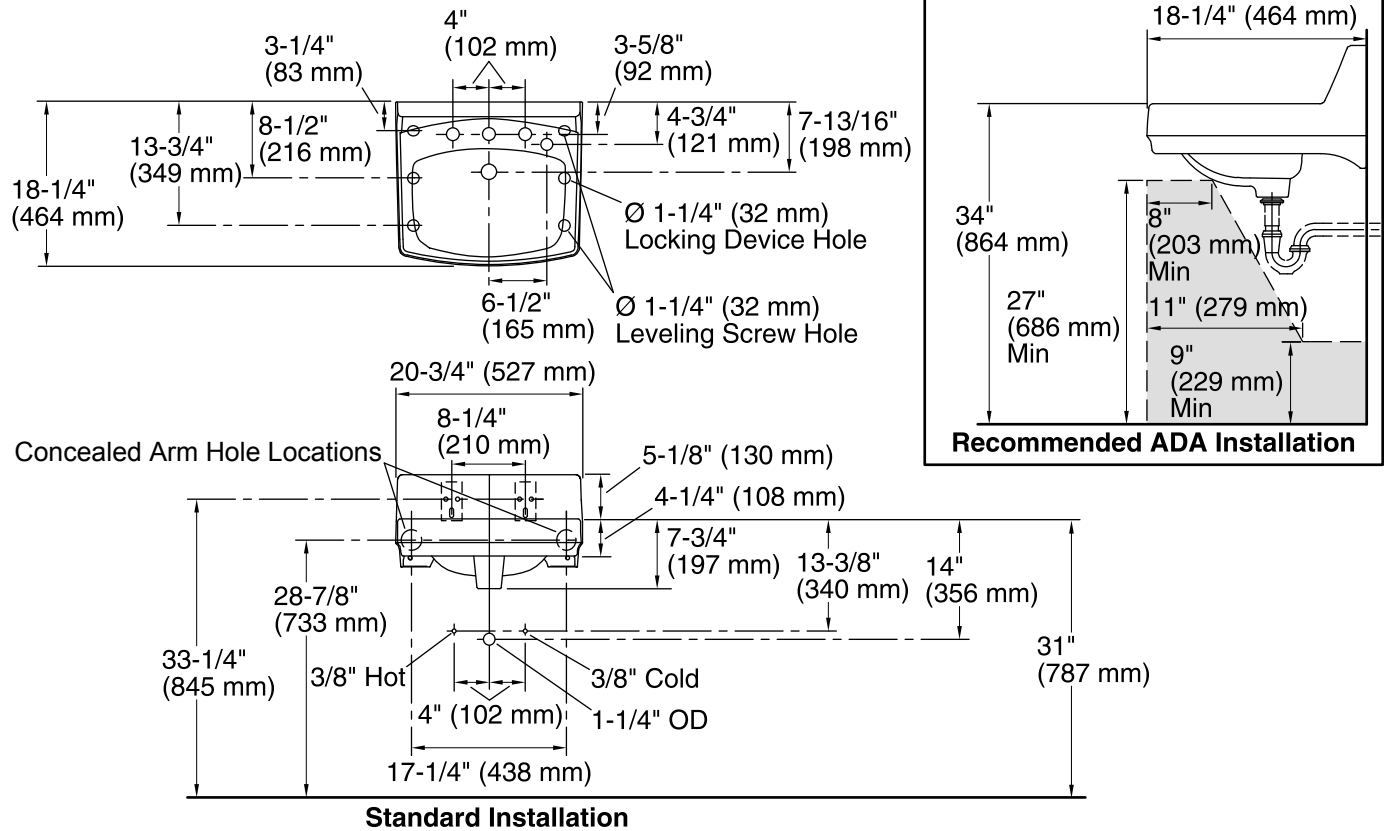
KOHLER® One-Year Limited Warranty

See website for detailed warranty information.

Available Color/Finishes

Color tiles intended for reference only.

Color	Code	Description
	0	White
	96	Biscuit
	47	Almond
	7	Black Black™



Technical Information

All product dimensions are nominal.

Bowl configuration:	Single
Installation:	Wall-mount
Bowl area (Center)	Length: 10" (254 mm) Width: 15" (381 mm) Water depth: 3-1/4" (83 mm)
Number of deck holes:	4
Faucet hole(s):	1-3/8" (35 mm)
Soap/Lotion hole:	1-1/4" (32 mm)
Drain hole:	1-3/4" (44 mm)

Notes

Install this product according to the installation guide.

ADA compliant when installed to the specific requirements of these regulations.