

WORCEST

All For A Better Life

USERS' MANUAL



SC171 (25.6 inch)



SC170 (30.7 inch)



SC169 (33.5 inch)



SC168 (39.4 inch)

Stainless Steel Utility Sink With Faucet

Model # SC171/SC170/SC169/SC168



Questions, problems, missing parts? Before returning to us, sending emails to our customer service department or leaving messages on our website. 7*24 hours support are available!

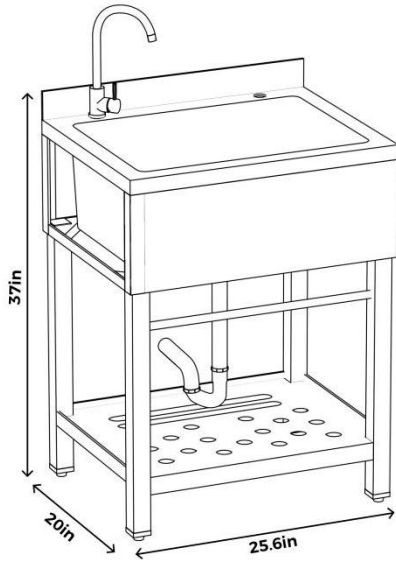
Email: service@iworcest.com

Website: www.iworcest.com

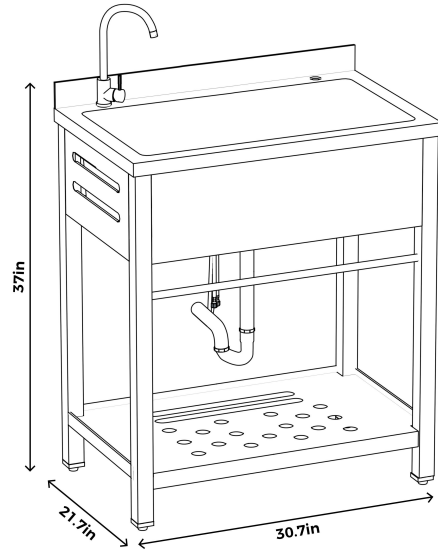
Table of Contents

Product Dimensions	3
Packing List	4
Installation Steps	
SC171 Sink Leg & Undershelf	4
SC170/169/169 Sink Leg & Undershelf	7
Drainage Kits	8
Cleaning & Maintains	10
Warnings	11
Warranty	12

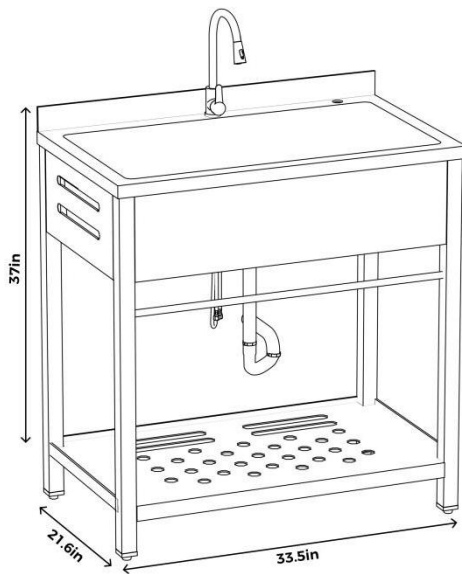
Product Dimensions



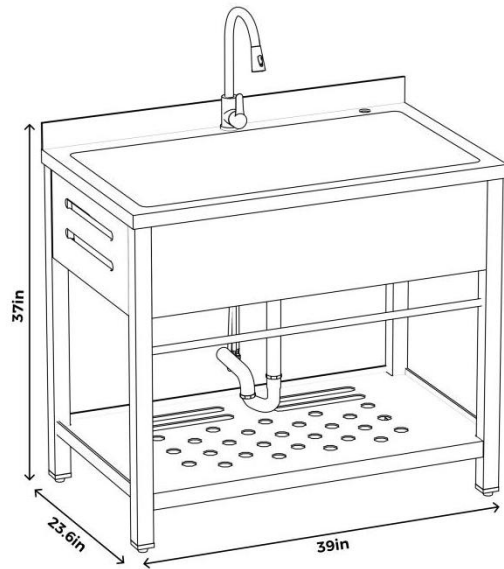
SC171 (25.6 inch)
Left Faucet



SC170 (30.7 inch)
Left Faucet

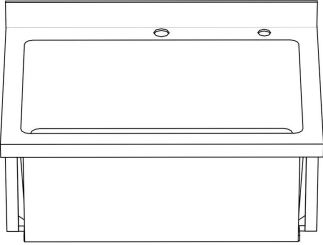

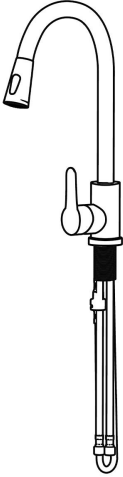
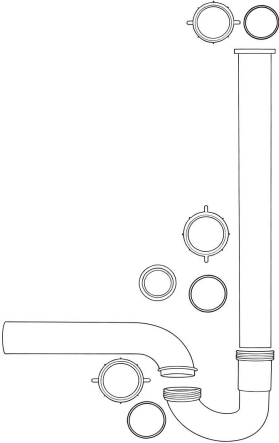
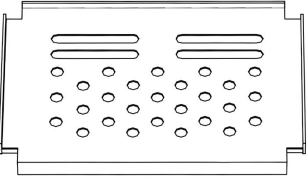
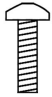
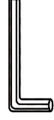
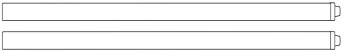

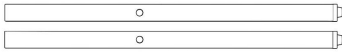



SC169 (33.5 inch)
Middle Faucet



SC168 (39.4 inch)
Middle Faucet

Packing List

 <p>Basin</p>	 <p>Feet x 4</p>	 <p>Faucet</p>	 <p>Drainage kit</p>	
 <p>Undershelf</p>	 <p>Screw x 8</p>			 <p>Wrench</p>
 <p>Back Legs x 2</p>	 <p>Strainer</p>			 <p>Front Legs x 2</p>
		 <p>Towel Bar</p>		

Installation Steps

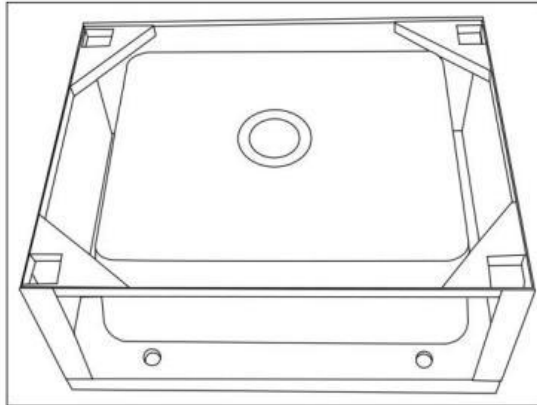
➤ **Please Note:**

The sink legs and undershelf of SC171 is assembled slightly differently from the other three models, so we have listed its installation instructions separately. Please confirm which model you have purchased. The model number is printed on the outer carton.

-----SC171 Sink Leg & Undershelf

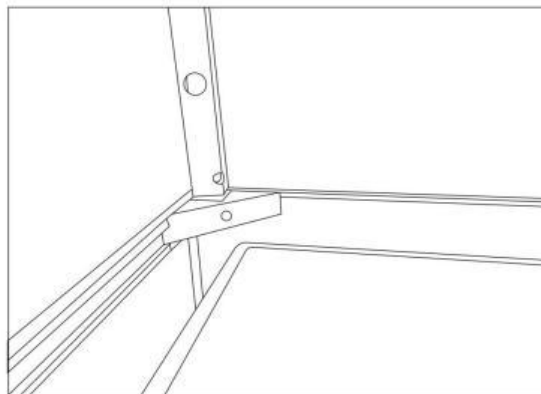
Step 1:

Take the entire basin out and place it upside down. This makes it much easier to attach the four legs.



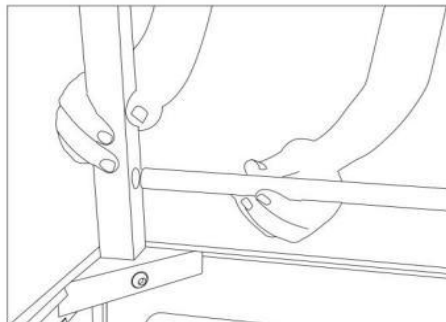
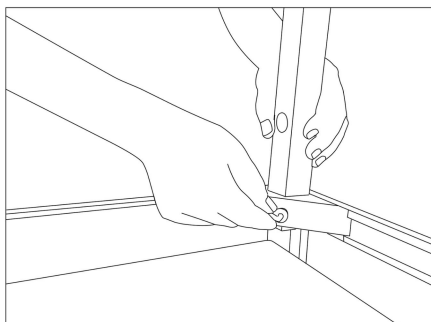
Step 2:

Please make sure to identify the two front legs and the two back legs. The front legs have holes for the towel bar. As shown in the following picture:



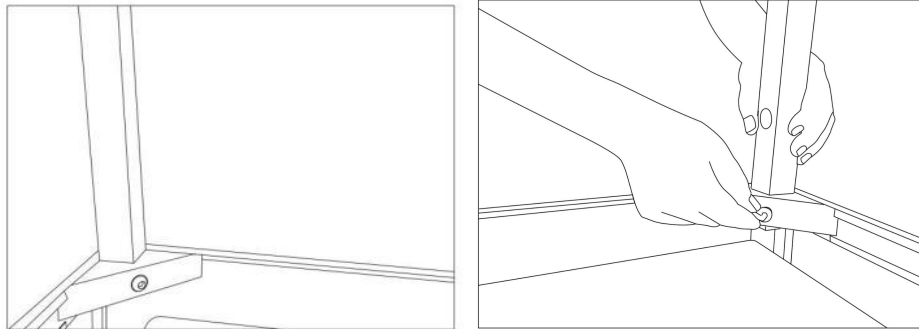
Step3

When securing the two front legs, be careful not to tighten them too much at first. Wait until you insert the towel bar before tightening them completely.



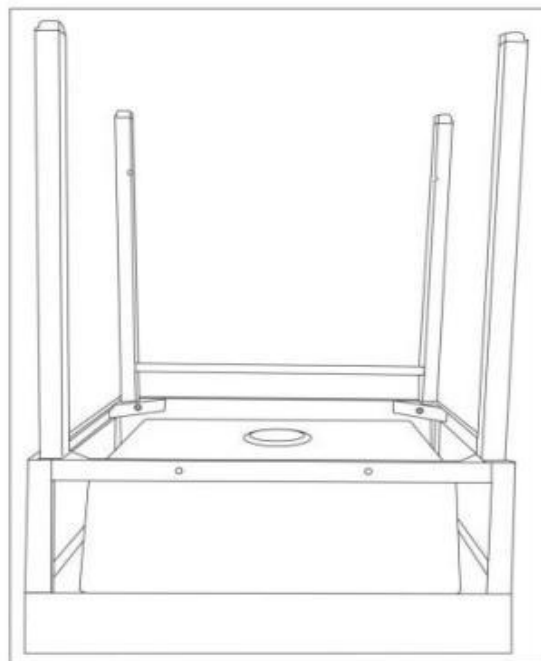
Step4

Tighten the two back legs directly.



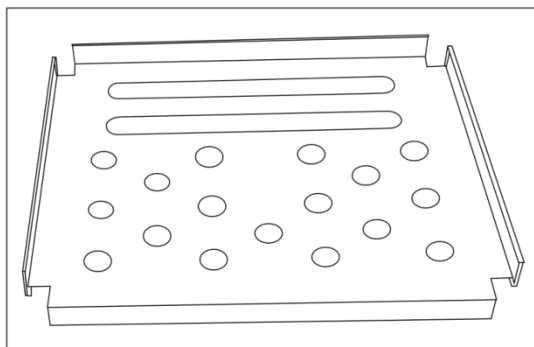
Step5

As shown in the following picture, here is the overall image of inserting the legs. Please screw the 4 adjustable feet on the leg.



Step 6

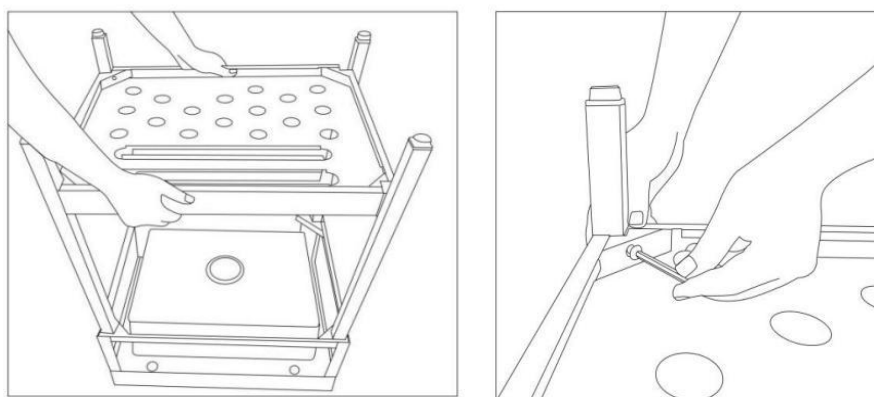
Next, you will install the shelf. The following image shows the shelf facing upwards. It has edges on all sides.



Step 7:

As shown in the following picture, flip the shelf over and place it down.

You can ask someone to help hold the shelf while you secure it with 4 screws.



-----SC170/SC169/SC168 Sink Leg & Undershelf

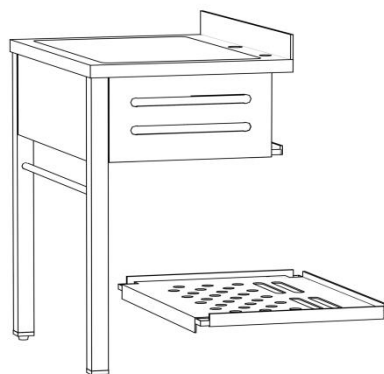
The assembly of these three models is similar to SC171. Because of their larger size, for extra stability the legs must be inserted all the way into the top. The diagram below shows only the installation order. When you actually assemble, follow the same method as SC171:

Turn the bowl upside-down and secure the four legs. Remember to

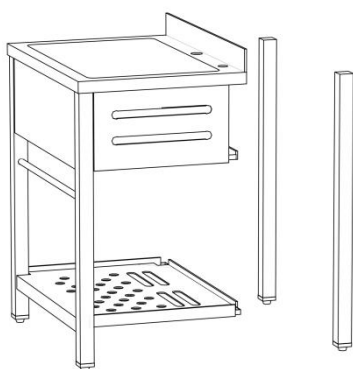
check that the front legs are the ones with the holes.



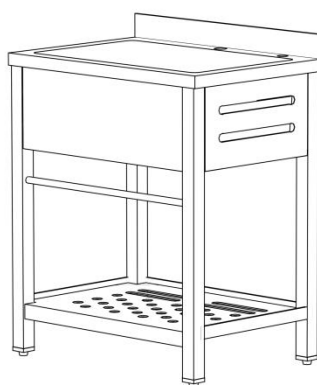
1



2



3

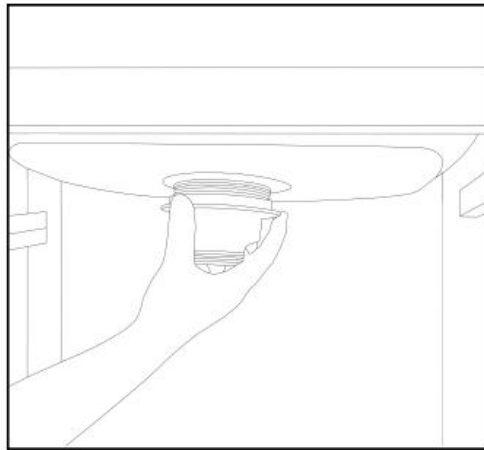
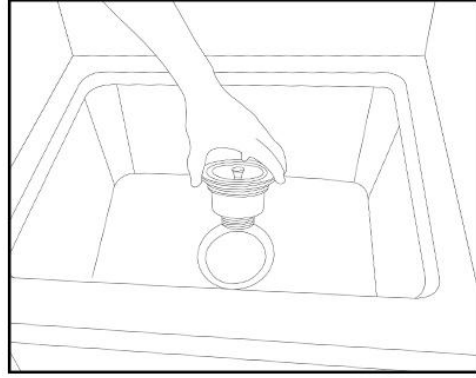
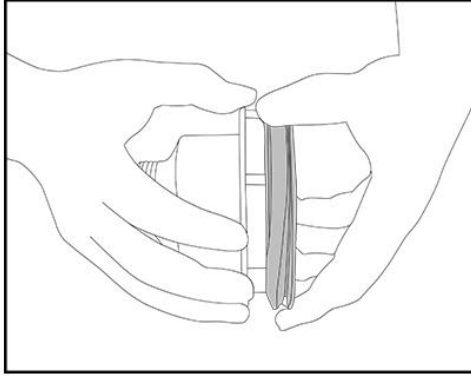


4

-----Drainage Kits

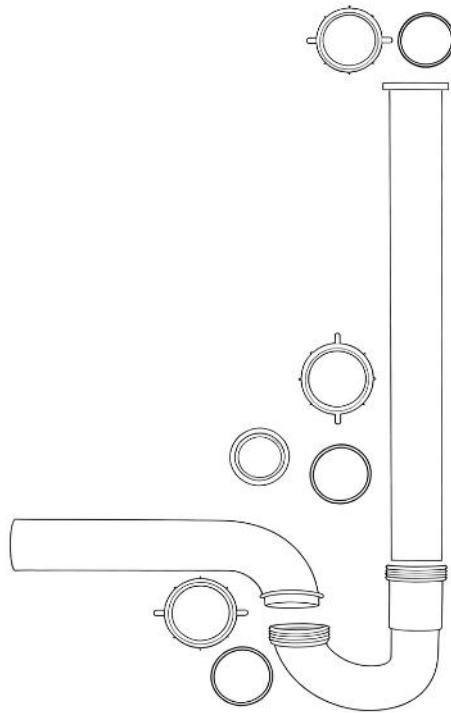
Step 1:

Unscrew the plastic ring from the strainer. Place the strainer into the drain hole, and then screw the plastic ring back on with a white washer on top, tightening it from the bottom of the basin to secure the strainer in place.

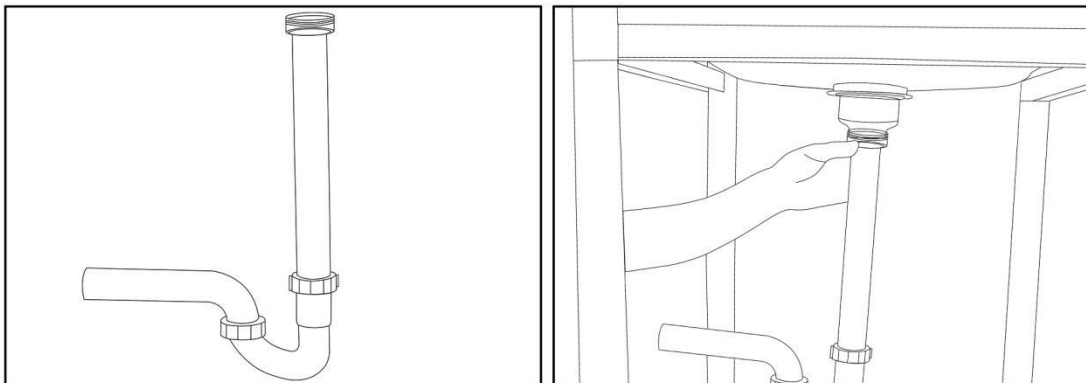


Step 2:

There are 2 x Tail Pieces, 1 x J Bent, 1 x Wall Bent. Only use 1 Tail Pieces to connect. The other one is as a backup. Please cut off to short if needed.



Put the silicone gasket into the drainage set, and connect the strainer set and the drainage pipe set together, then you will get a whole, perfect drainage set.



CLEANING & MAINTENANCE

- The cleaning of the sink should start from the basics, and a thin layer of oil can be applied to the inner wall when you first start using it, trying to isolate the surface

of the sink from contact with corrosive substances.



- The sink should be cleaned frequently, please use a neutral detergent, gently scrub, then rinse with clean water, and use a sponge or rag to dry, avoid using a steel brush or a rough brush to prevent metal particles from adhering to the sink wall, which is easy to produce rust spots over time, or scratch the appearance of the sink.



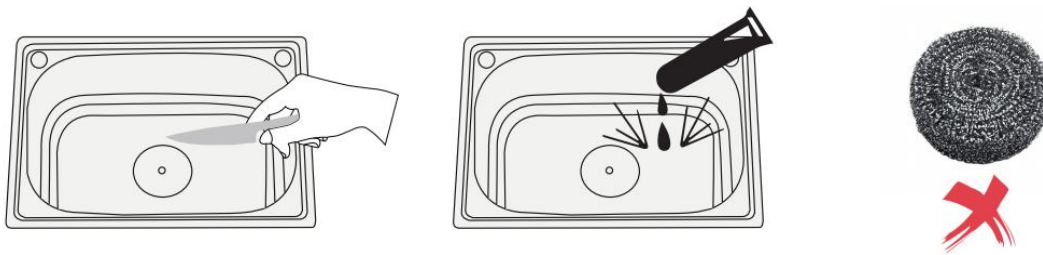
- Sprinkle a little salt on oily areas, then wipe up and down with waste plastic wrap, wipe and rinse with warm water several times, also to make the sink shine like new. The corners and drains around the sink can be wiped with a small brush or toothbrush dipped in soapy water, fine salt, and detergent, which can also achieve the ideal decontamination effect.



WARNINGS

Do Not

- When cleaning the stainless steel sink, it is best not to use a very oxidizing detergent, because it will react with the stainless steel sink, destroy the corrosion-resistant layer on the surface of the sink, and there will be rust on the surface of the sink.
- The stainless steel sink should not be cleaned with grinding plates or wire balls, and try not to hit the sink with sharp utensils such as knives, forks, cooking utensils, etc., so as to avoid scratches on the surface and affect its surface beauty.



RUST SPOTS

- This sink is made of 304 stainless steel. If you see rust spots in your sink, it's due to external rust or iron particle contaminants. These rust particles attach to the sink surface, forming rust stains. Clean the rust stains with powder cleanser or sink cleaner and a dish scrubbing sponge. Scrub in the direction of the grain. Use toothbrush for corners and edges. Rinse thoroughly with water.

WARRANTY

WORCEST offers a 12-month warranty to all of our products together with the original proof of purchase when a defect occurred, including those newly purchased and unused, from WORCEST or through an authorized reseller, wholly or substantially, or as a result of faulty manufacturing parts, or workmanship during the Warranty Period. The warranty does not apply if damage is caused by other factors, including but without limitation of: Please fill out all required fields and include

your Order ID, Date of Purchased if applicable.

- (a) Normal wear and tear;
- (b) Abuse, mishandling, accident, or failure to follow operating instructions;
- (d) Servicing or modifications of the product other than by WORCEST

The WORCEST warranty covers all costs related to restoring the proven defective product through repair or replacement of any defective part and necessary labor so that it conforms to its original specifications. A replacement product may be provided instead of repairing a defective product. WORCEST's exclusive obligation under this warranty is limited to such repair or replacement.

These are our general terms for warranty service, but we always urge our customers to reach out to us with any issue, regardless of warranty terms.

If you have an issue with a WORCEST product, please contact us at service@iworcest.com , and we will do our best to resolve it for you.

Remark: all the product drawings involved in this manual shall be subject to the object. All the contents of this manual have been strictly checked and proofread, but there is possibility of incorrect typesetting or printing.

Please feel free to understand