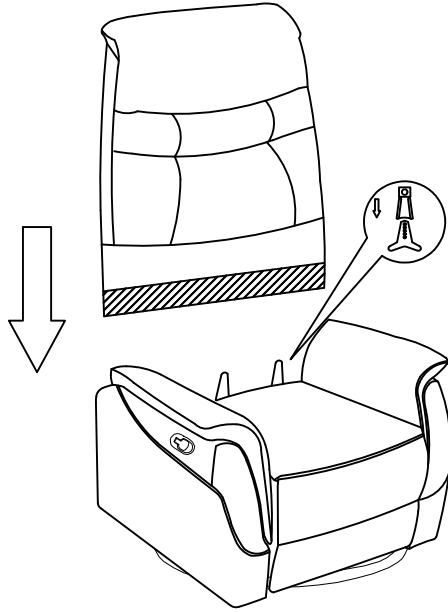


9641-R+S Assembly Instructions

Step1:



Finish:

