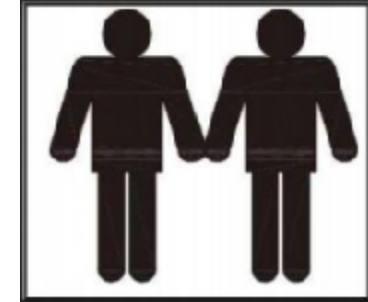
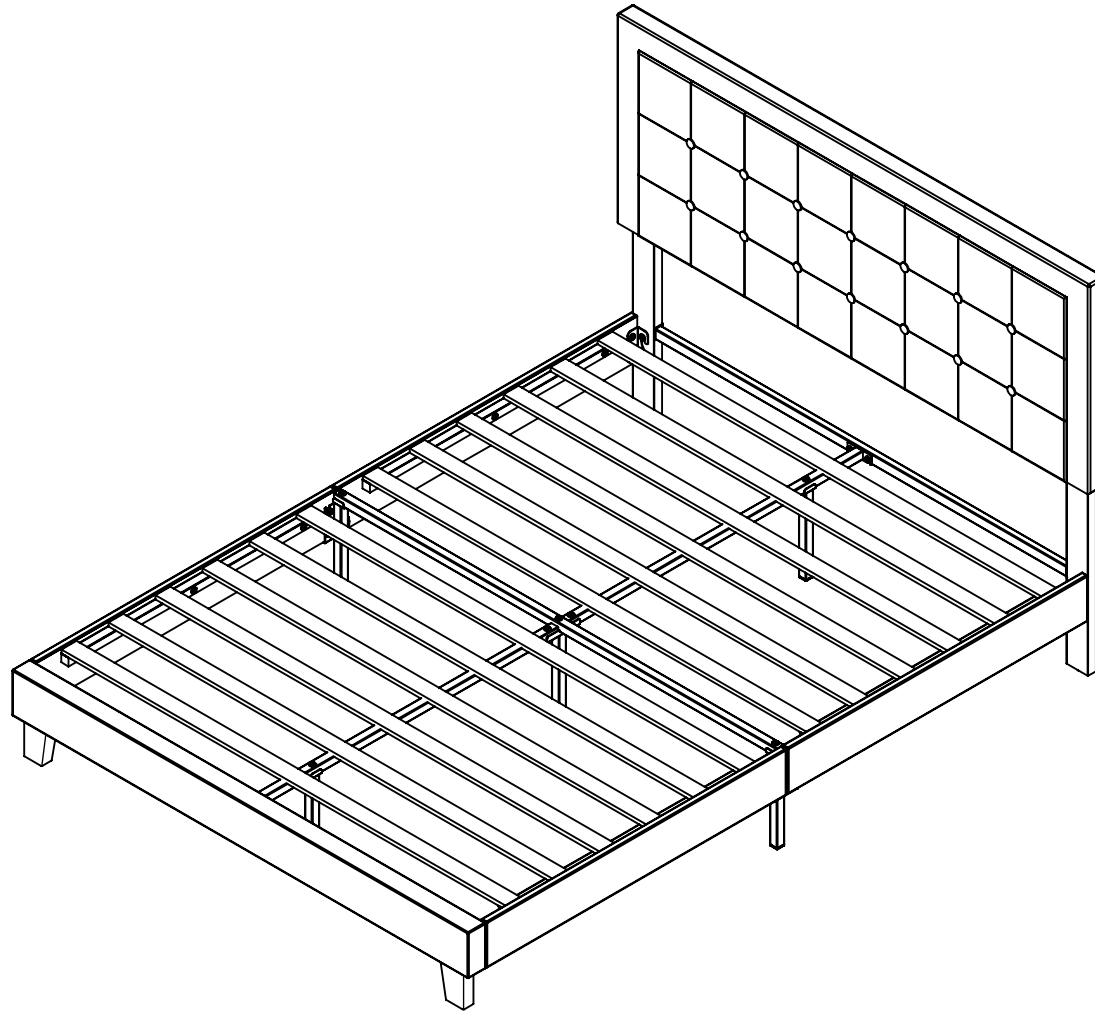


Assembly Instruction

Note:

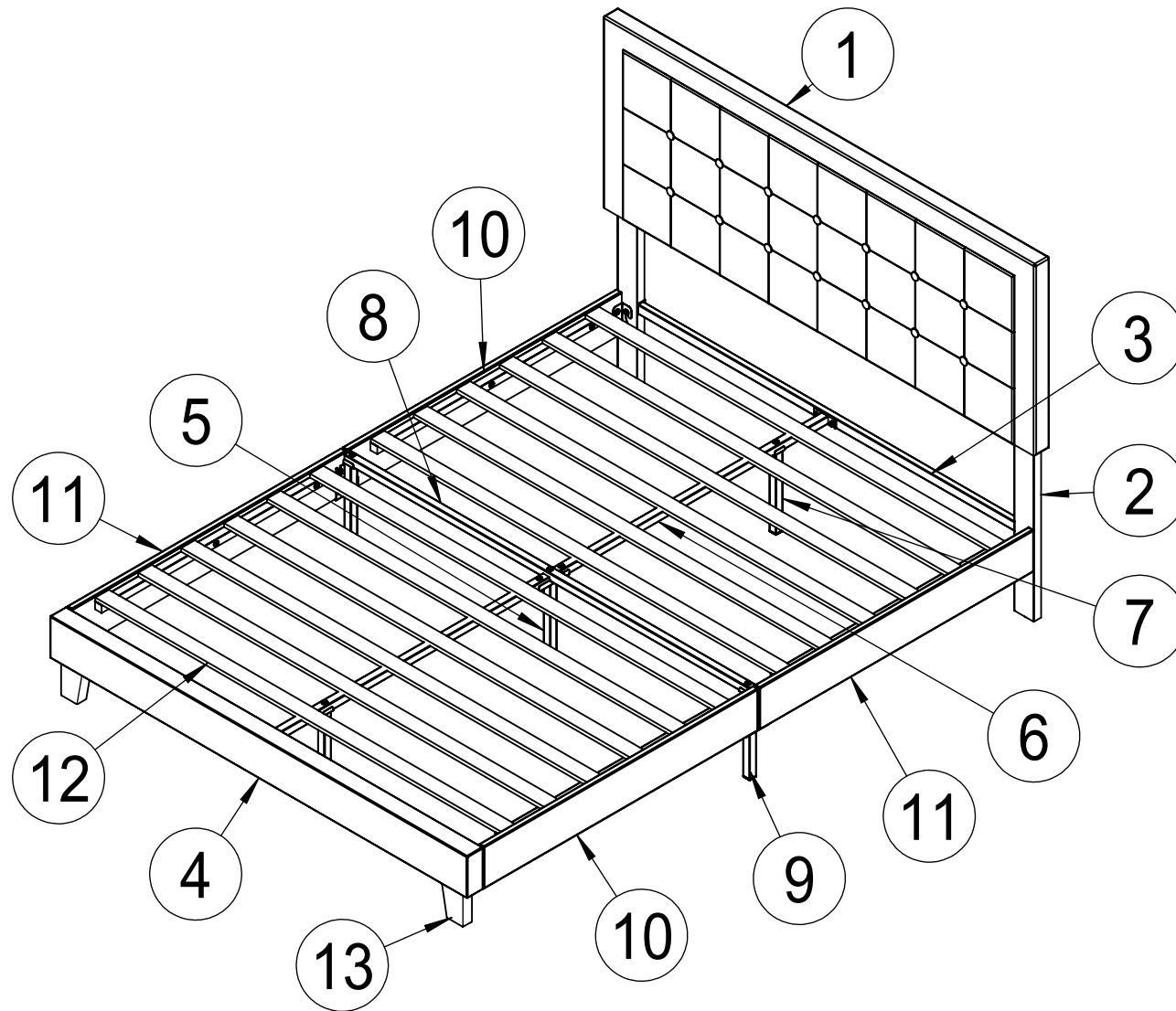
1. Should be assembled on flat ground to keep balance.
2. Before completing the installation, do not tighten the screws.







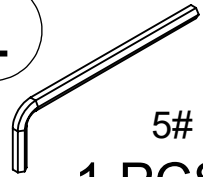
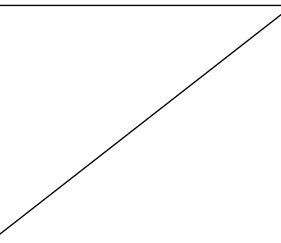
It needs at least two people to install.



Before starting the assembly, you must read the whole manual and follow the instructions.

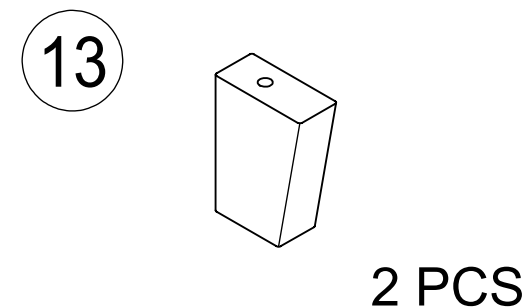
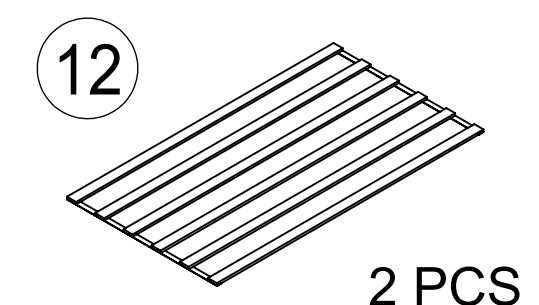
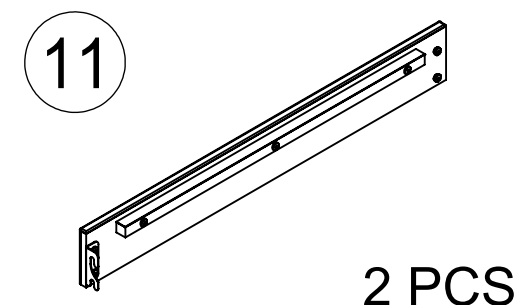
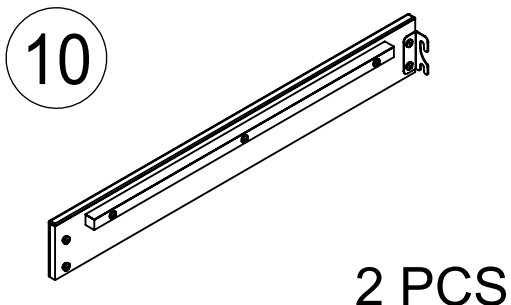
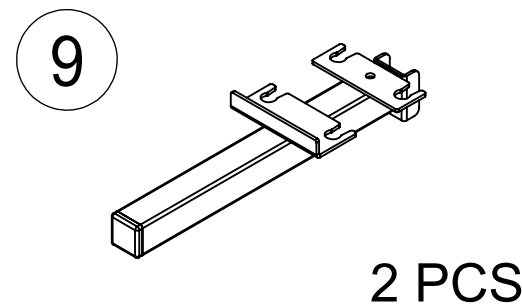
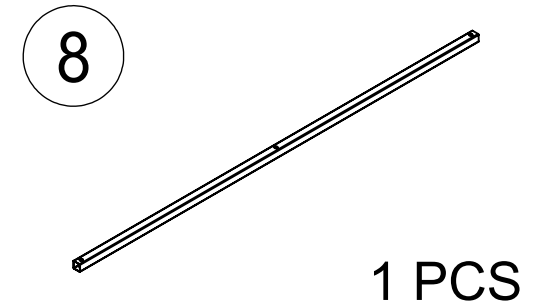
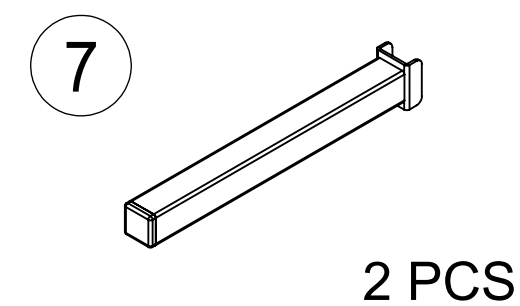
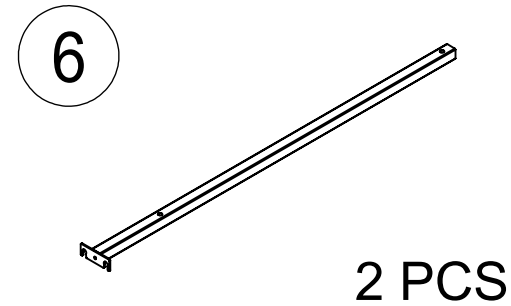
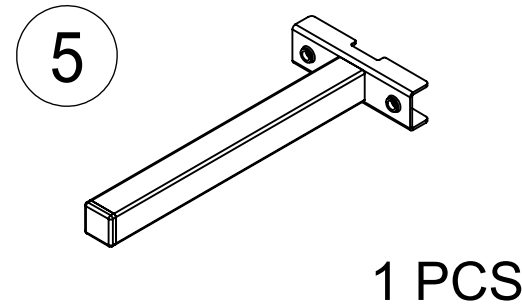
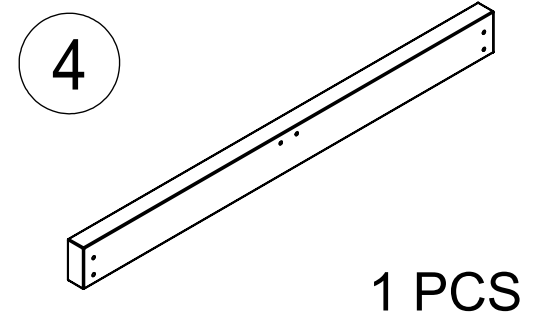
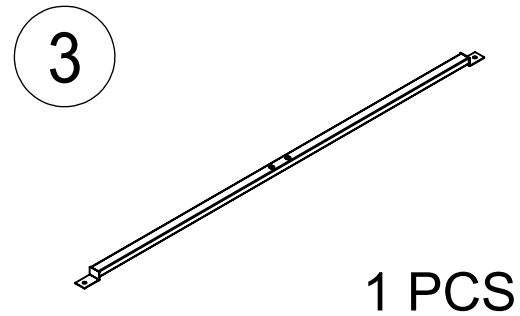
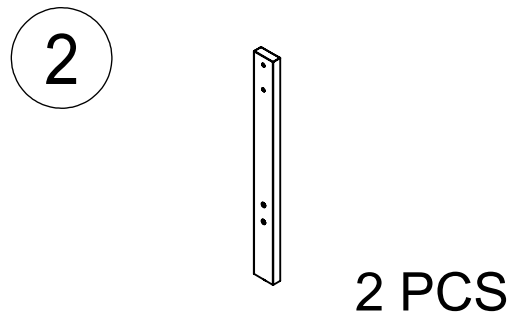
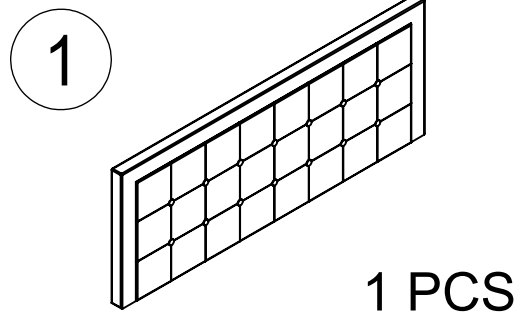


Hardware arts


<p>A</p>  <p>M8*20 14 PCS</p>	<p>B</p>  <p>M8*30 6 PCS</p>	<p>C</p>  <p>M8*45 5 PCS</p>	<p>D</p>  <p>M8*55 2 PCS</p>	<p>L</p>  <p>5# 1 PCS</p>	
---	--	--	--	---	---

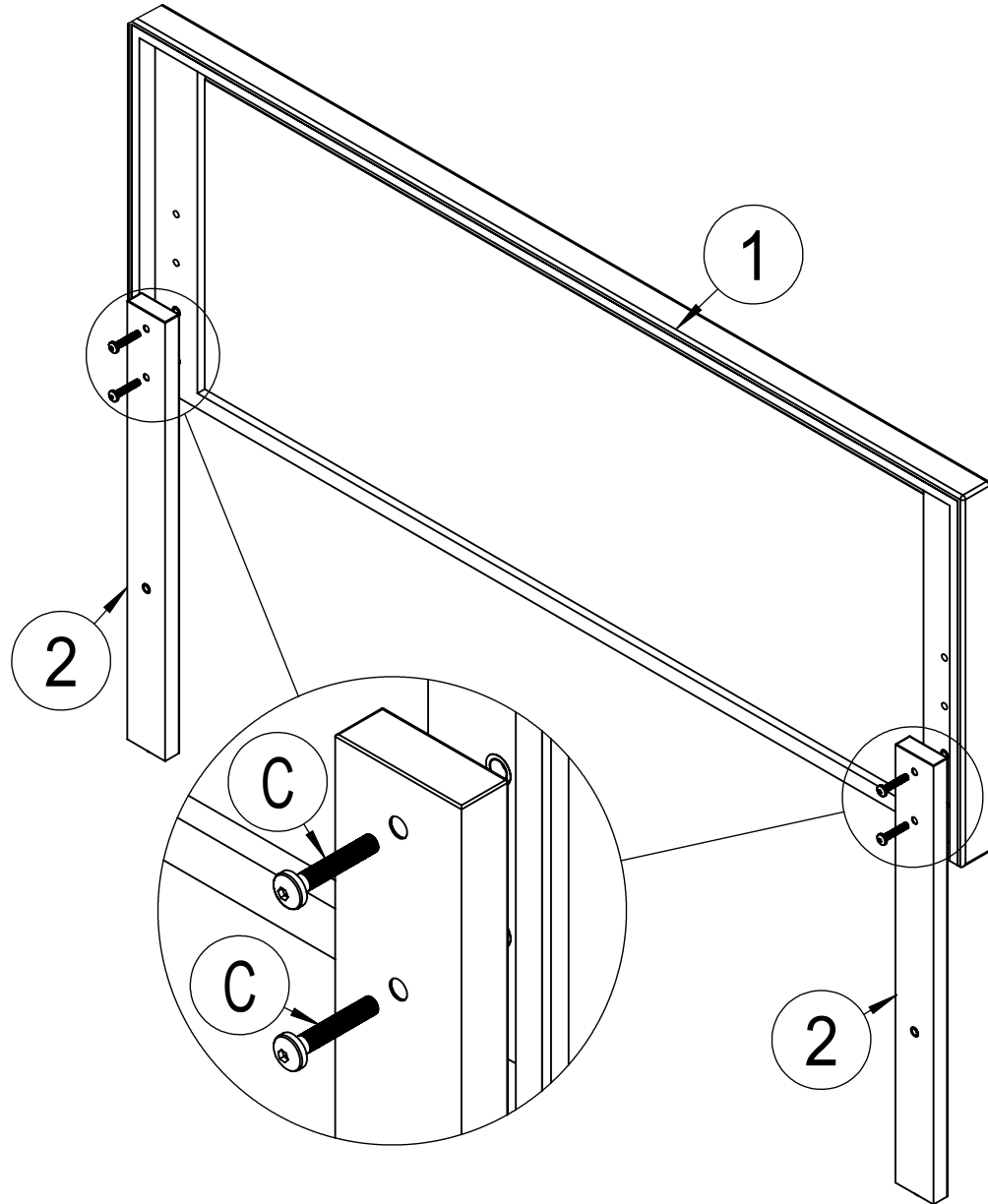
Assembly Instruction

Part list

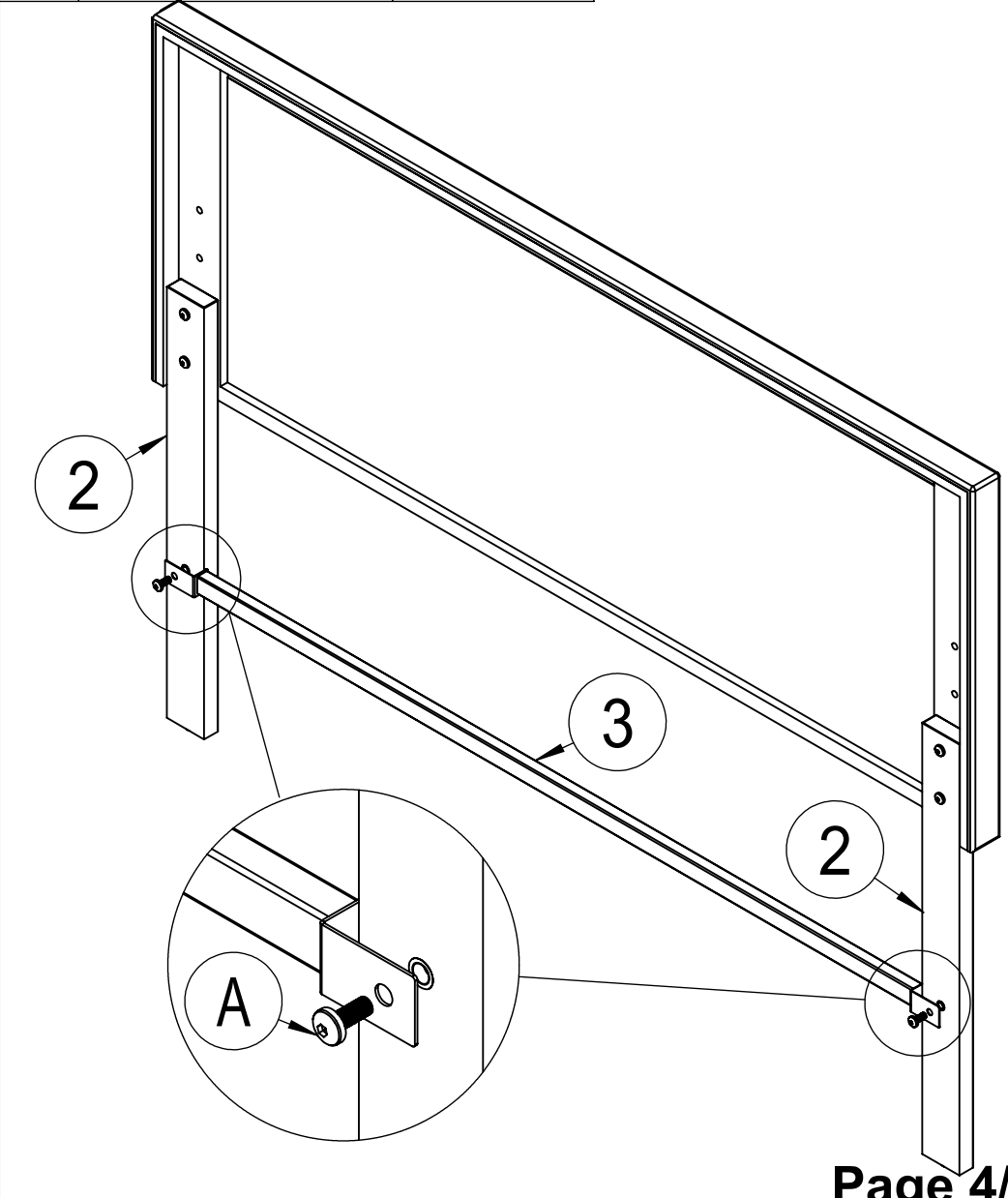


Assembly Instruction



C		M8*45	4 pcs
L		5#	1 pcs

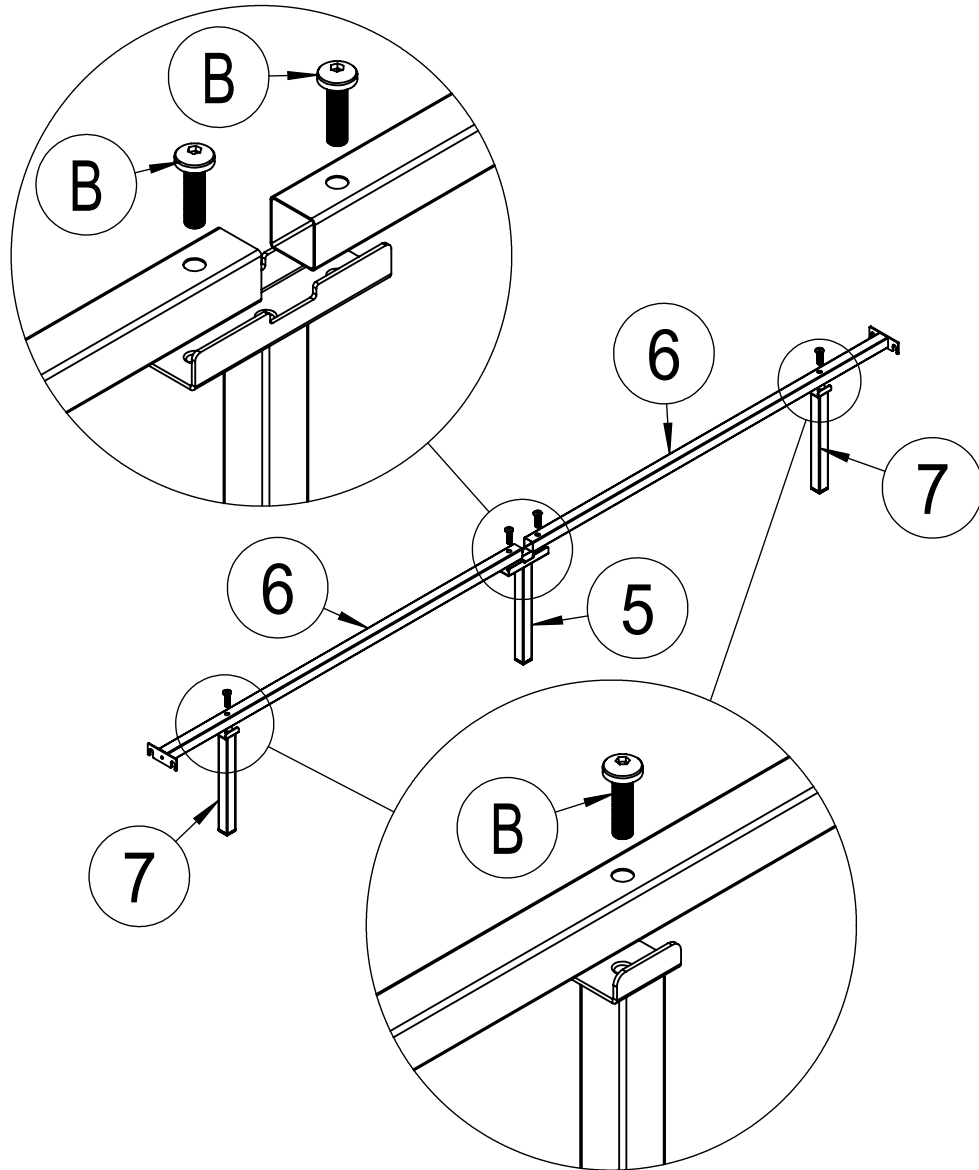


A		M8*20	2 pcs
L		5#	1 pcs

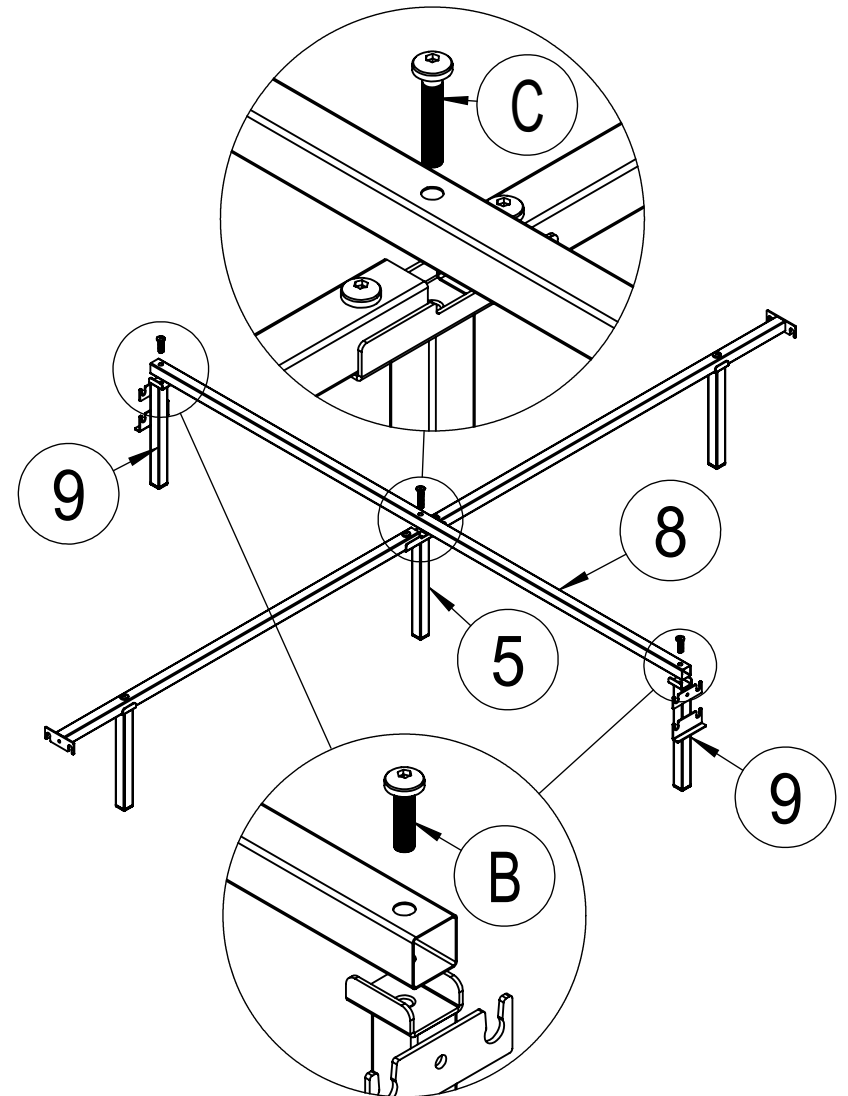


Assembly Instruction


B		M8*30	4 pcs
L		5#	1 pcs



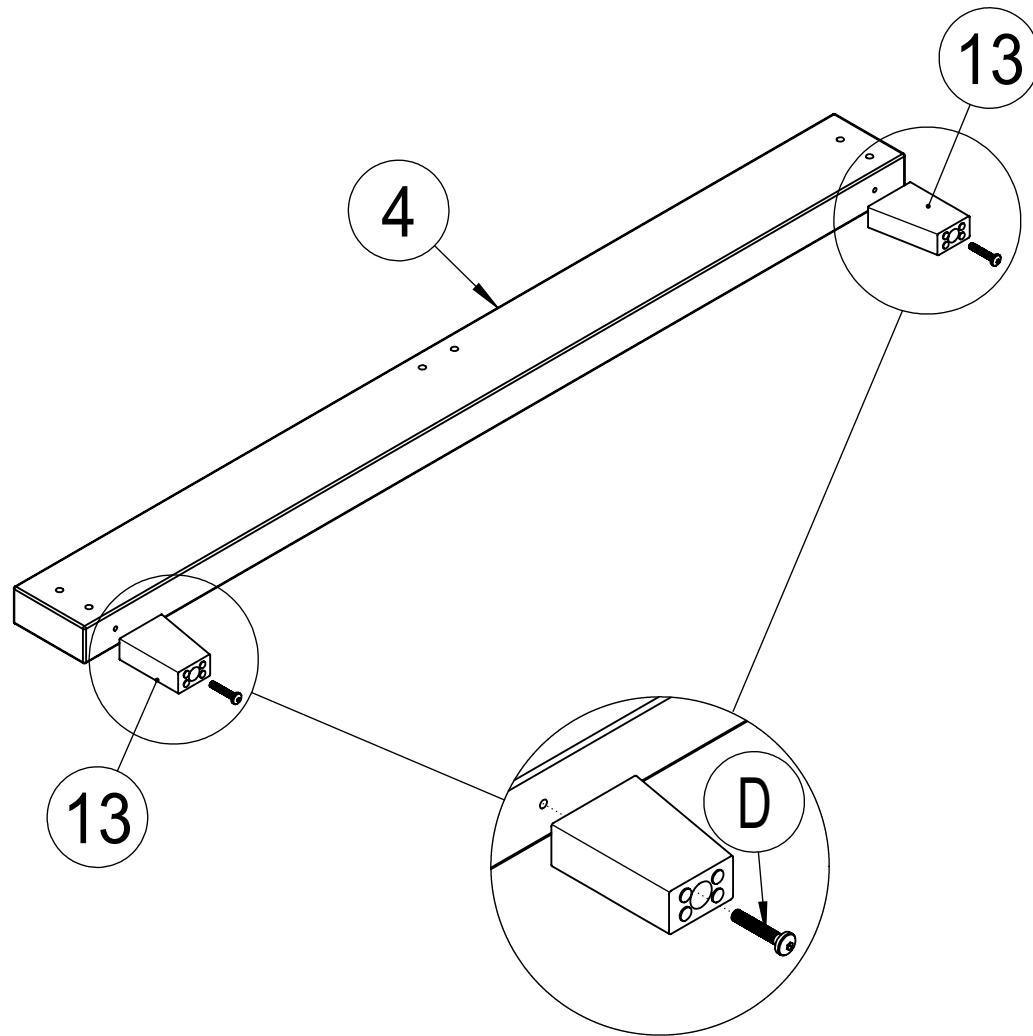
B		M8*30	2 pcs
C		M8*45	1 pcs
L		5#	1 pcs




Assembly Instruction

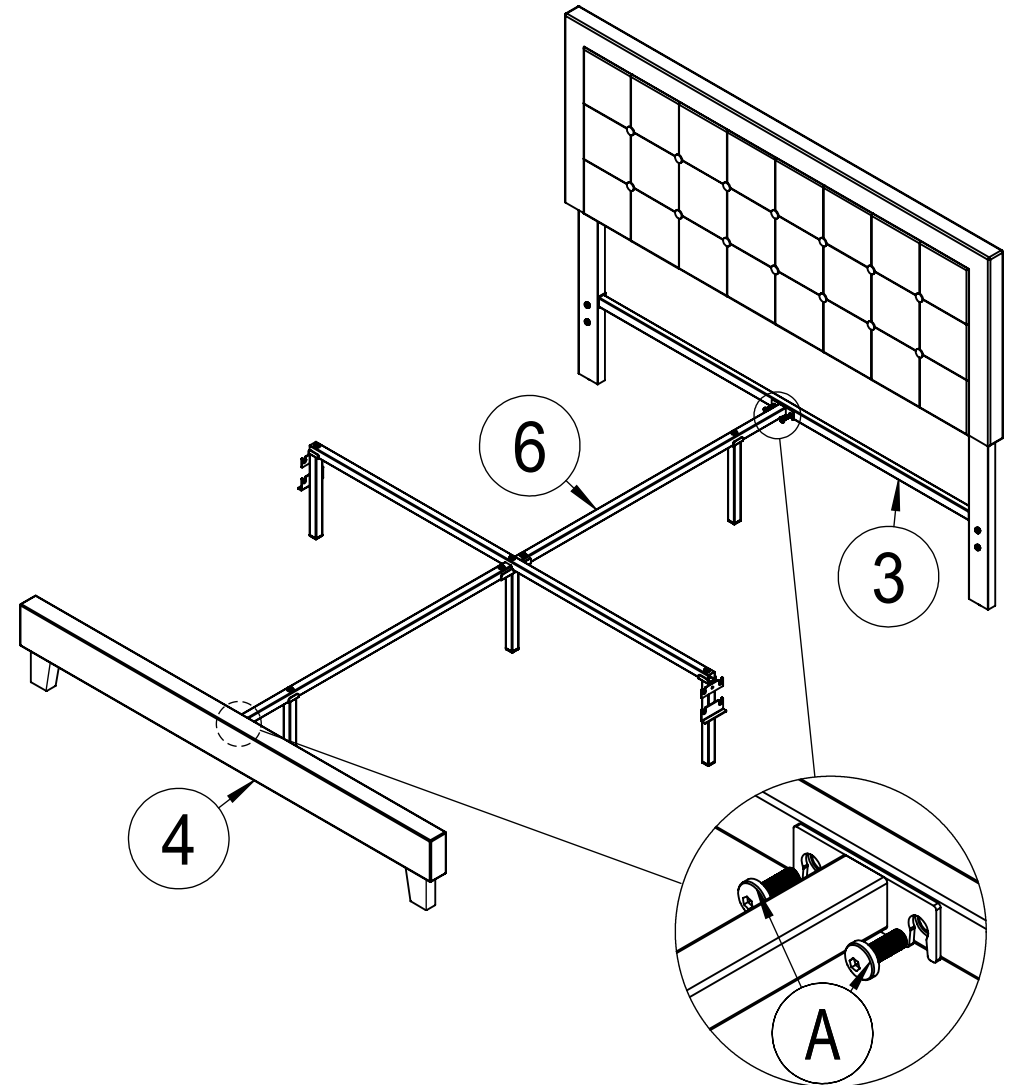
D		M8*55	2 pcs
---	---	-------	-------

L		5#	1 pcs
---	---	----	-------





A		M8*20	4 pcs
---	---	-------	-------

L		5#	1 pcs
---	---	----	-------



Assembly Instruction

A	 M8*20	8 pcs
L	 5#	1 pcs

