

ASSEMBLY INSTRUCTIONS & PARTS IDENTIFICATION

PIER





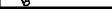
Thank you for purchasing this quality product. Be sure to check all packing material carefully for small parts that may have come loose inside the carton during shipment.

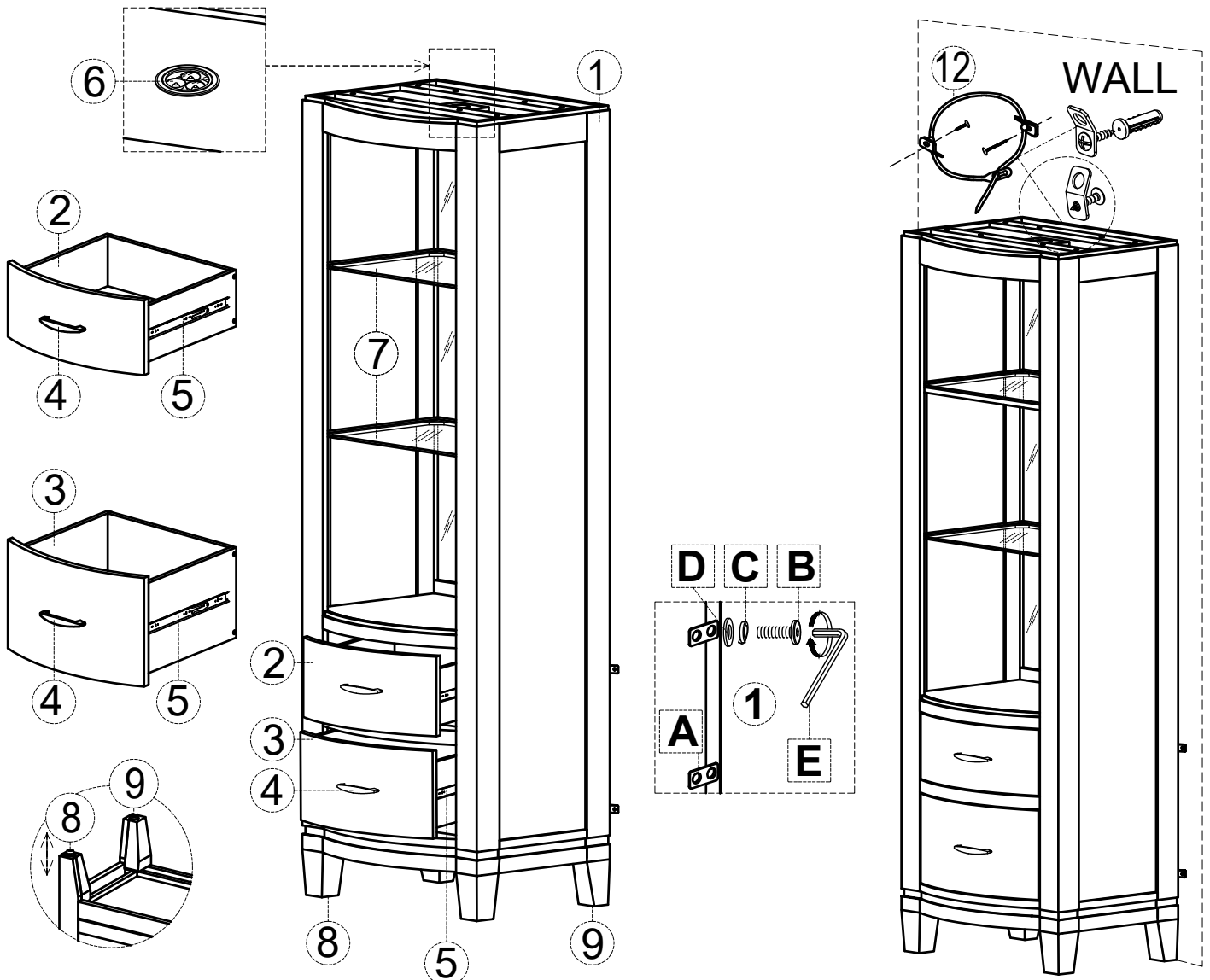
Parts key

No	Code	Qty	Description	No	Code	Qty	Description
1	A	1 pc	Cabinet	6	F	1 pc	Spot Light
2	B	1 pc	Top Drawer Complete	7	G	2 pcs	Glass Shelf
3	C	1 pc	Bottom Drawer Complete	8	H	2 pcs	Floor Leveler
4	D	2 sets	Pull w/Screws	9	I	2 pcs	Floor Glide
5	E	2 sets	Full Extension Glide	10	K	1 set	Anti - tip kit

PLEASE NOTE : To help prevent the possibility of tip-over, install the ANTI-TIP OVER restraint provided.

Hardware kit

No	Description	Qty
A	 Metal plate	2 pcs
B	 Bolt	M6 x 15 4 pcs
C	 Lock washer	M8 4 pcs
D	 Flat washer	M8 x 16 4 pcs
E	 Allen Key	K4 1 pc

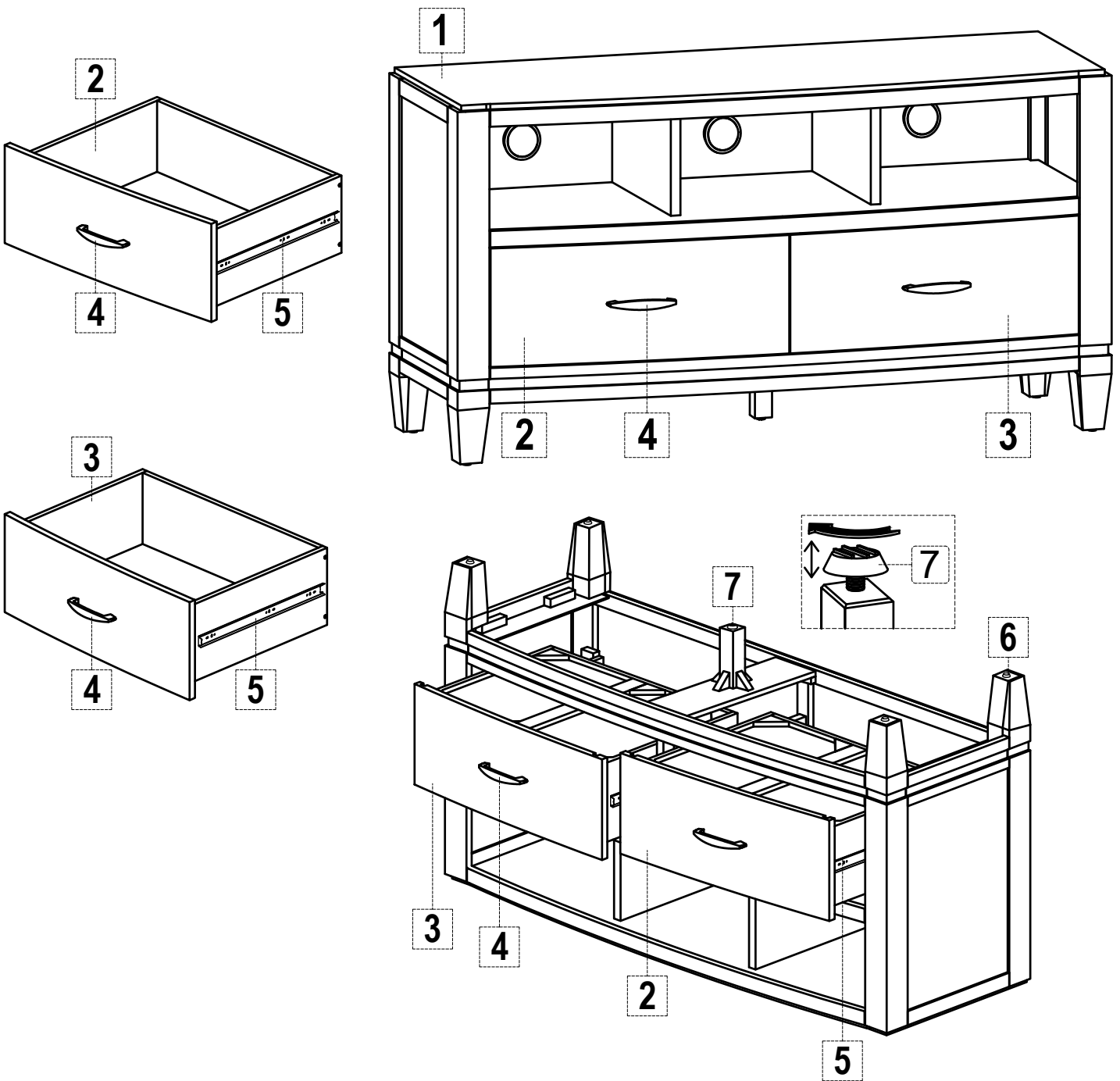


ASSEMBLY INSTRUCTIONS & PARTS IDENTIFICATION 60" CONSOLE

Thank you for purchasing this quality product. Be sure to check all packing material carefully for small parts that may have come loose inside the carton during shipment.





Parts key

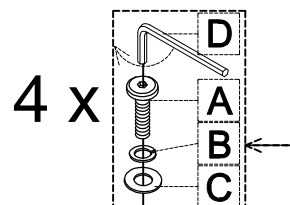
No	Code	Qty	Description	No	Code	Qty	Description
1	A	1 pc	Storage Box	5	E	2 sets	Full extension glide
2	B	1 pc	Left Complete Drawer	6	F	4 pcs	Floor glide
3	C	1 pc	Right Complete Drawer	7	G	1 pc	Floor leverler
4	D	2 sets	Pull w/Screws				



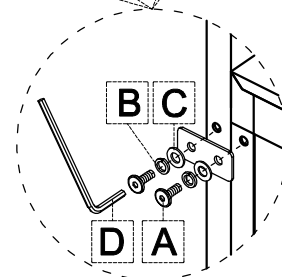
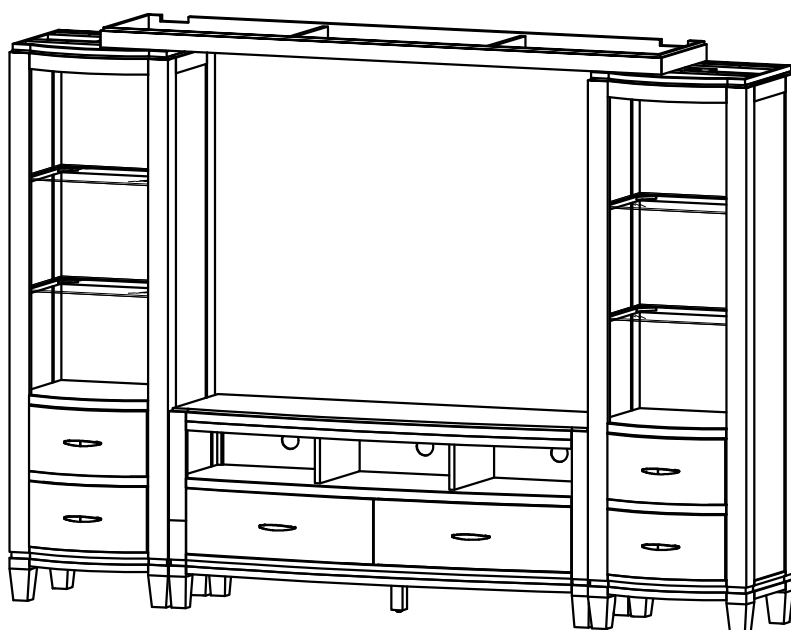
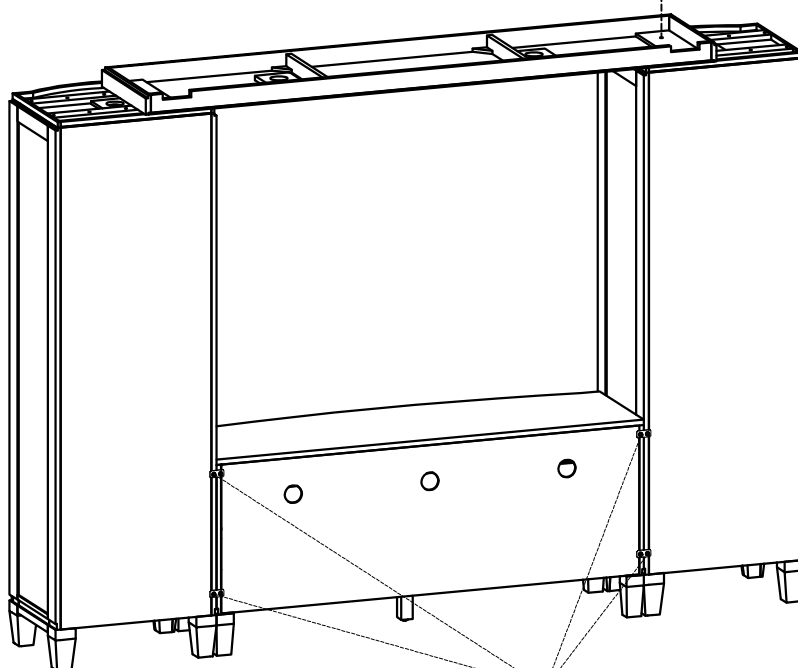
ASSEMBLY INSTRUCTIONS & PARTS IDENTIFICATION BRIDGE

Thank you for purchasing this quality product. Be sure to check all packing material carefully for small parts that may have come loose inside the carton during shipment.

Hardware kit				
No	Description			Qty
A		Bolt	M6 x 30	4 pcs
B		Lock washer	M8	4 pcs
C		Flat washer	M8 x 18	4 pcs
D		Allen Key	K4	1 pc



ATTACHING THE PIER BRIDGE TO THE PIERS



THIS HARDWARE PACKED IN
WITH THE PIER

MADE IN VIET NAM