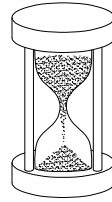
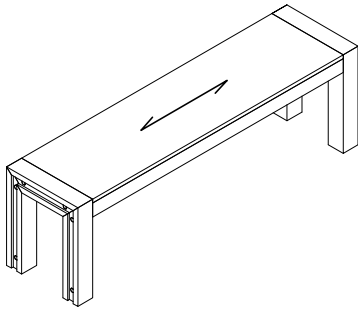
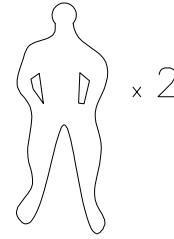


BENCH

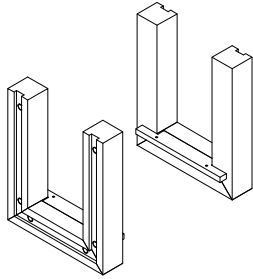
ASSEMBLY INSTRUCTIONS



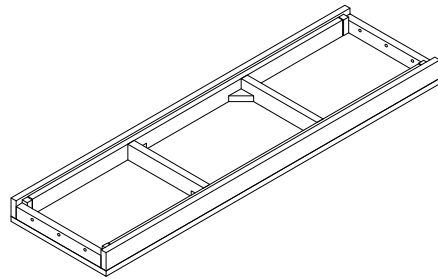
10 MIN



①



②



A



M8 x 45 mm : 10 pcs.

B



Ø8 x Ø13 x 1.2 : 10 pcs.

C



Ø8 x Ø19 x 2 : 10 pcs.

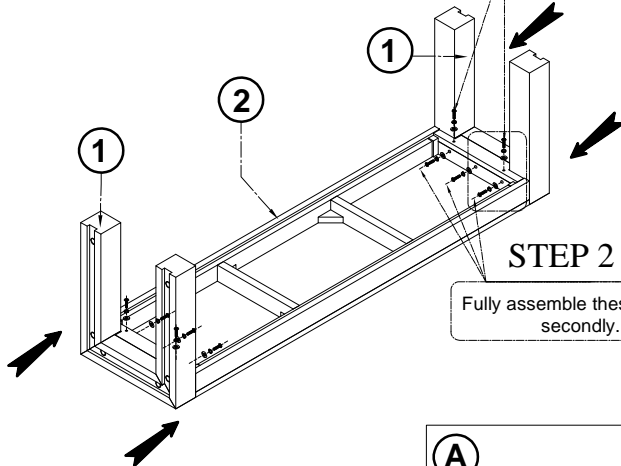
D



Ø4 x 60 : 1 pc.

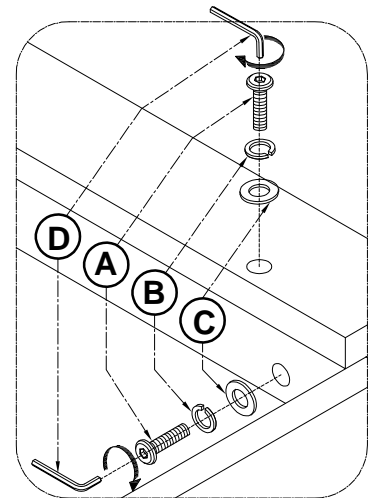
STEP 1

Fully assemble these 2 bolts first.



STEP 2

Fully assemble these 3 bolts secondly.



A



M8 x 45 mm : 10 pcs.

B



Ø8 x Ø13 x 1.2 : 10 pcs.

C



Ø8 x Ø19 x 2 : 10 pcs.

D



Ø4 x 60 : 1 pc.

ASSEMBLY IS COMPLETE

