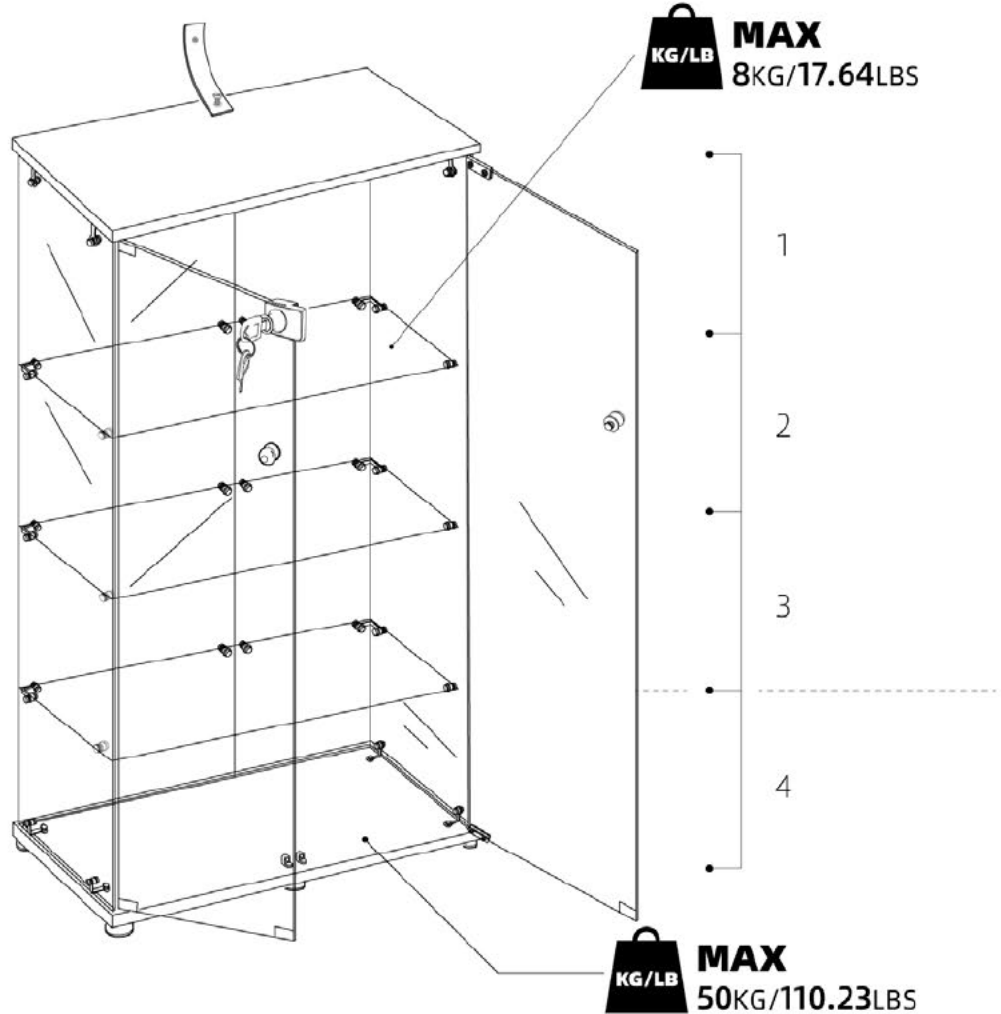
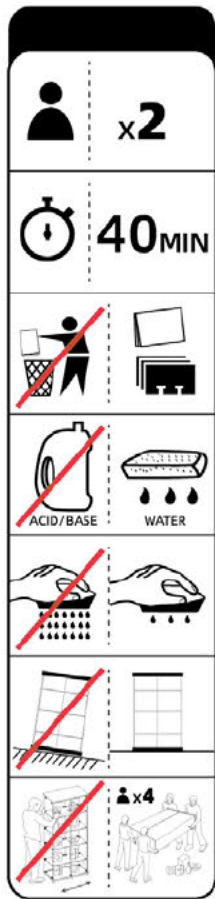


# DOUBLE DOOR "TRANSPARENT" CABINET

## TEMPERED GLASS

• WINE CABINET / DISPLAY CABINET •

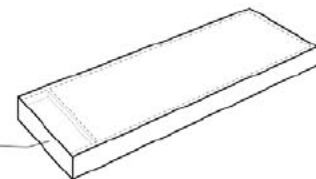


### PACKING A



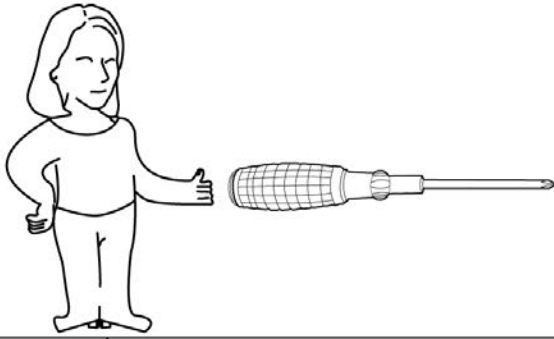
- 3** 1555\*387\*5 mm / Door glass / X2
- 2** 1576\*345\*4 mm / Side glass / X2
- 1** 1576\*390\*4 mm / Back glass / X2

### PACKING B



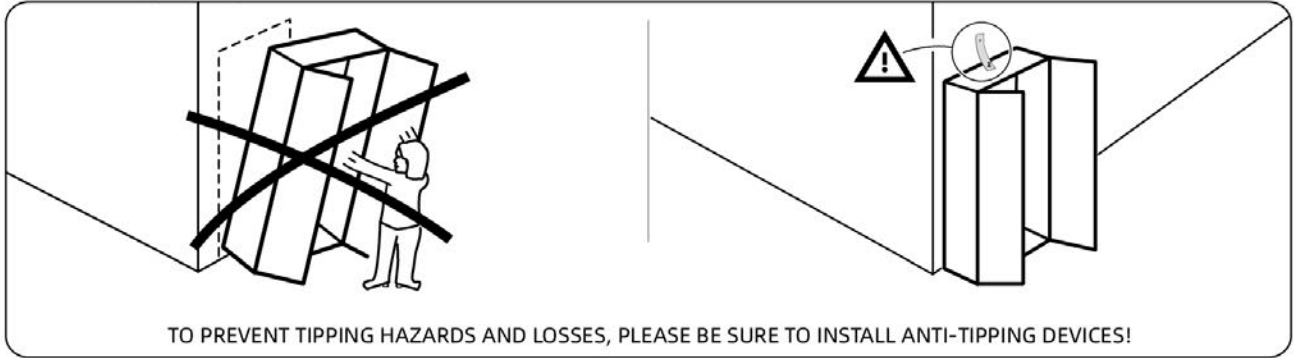
Accessory Package

- 6** 806\*365\*25mm / bottom panel / X1
- 4** 777\*315\*5mm / Shelf glass / X3
- 5** 807\*365\*25mm / Top panel / X1

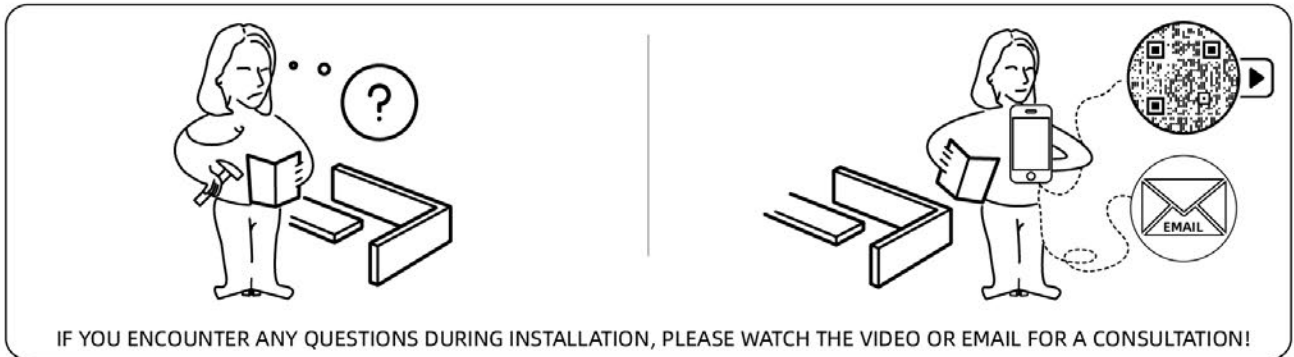


### SCALE AND PERSPECTIVE

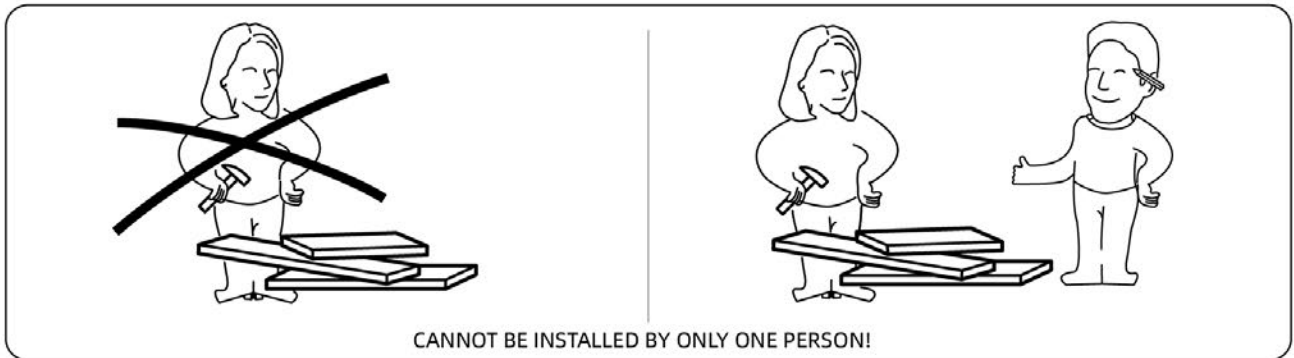
The installation graphics in this installation manual are only for illustration purposes and are not drawn at a 1:1 equal scale. The perspective angle is a multi-angle perspective, and some graphics are drawn using the principle of scatter perspective in order to highlight the key points !



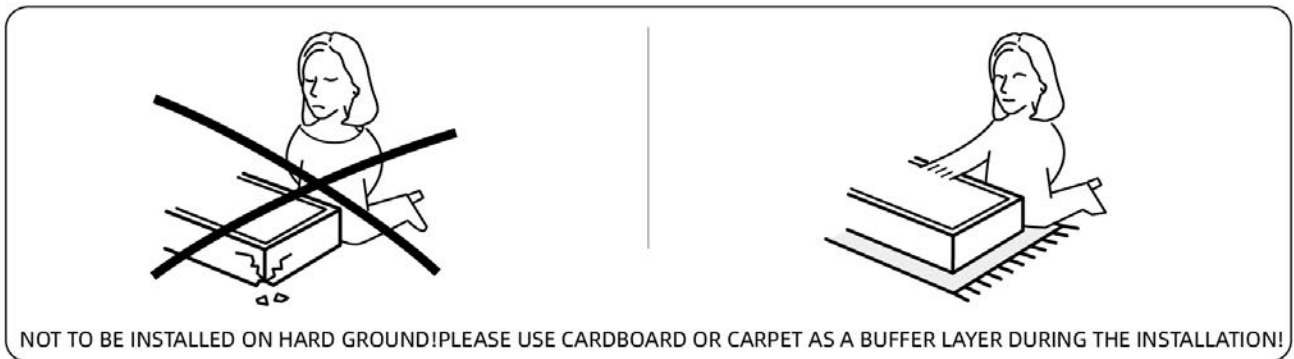
TO PREVENT TIPPING HAZARDS AND LOSSES, PLEASE BE SURE TO INSTALL ANTI-TIPPING DEVICES!



IF YOU ENCOUNTER ANY QUESTIONS DURING INSTALLATION, PLEASE WATCH THE VIDEO OR EMAIL FOR A CONSULTATION!



CANNOT BE INSTALLED BY ONLY ONE PERSON!



NOT TO BE INSTALLED ON HARD GROUND! PLEASE USE CARDBOARD OR CARPET AS A BUFFER LAYER DURING THE INSTALLATION!

# ENGLISH

## GOOD TO KNOW ABOUT TEMPERED GLASS

IMPORTANT :

HANDLE WITH CARE! A DAMAGED EDGE OR SCRATCHED SURFACE CAN IN EXCEPTIONAL CASES CAUSE THE GLASS TO CRACK SUDDENLY. HOWEVER, NEVER INTO SHARP FRAGMENTS, ONLY INTO SMALL PIECES. AVOID COLLISIONS FROM THE SIDE – THIS IS THE MOST FRAGILE PART OF THE GLASS.

## WARNING

**FURNITURE TIPPING-OVER COULD RESULT IN INJURY OR DEATH TO THE INSTALLER.**

**ALWAYS SECURE THIS PRODUCT PERMANENTLY TO THE WALL.**



The only wall mount included in the package is suitable for wooden walls or other solid walls.

For wooden walls, please only use the screws, the included plastic screw accessory is only an option. For hard walls, please drill holes with a hammer and then insert the screws and plastic accessories. The included wall mount is not suitable for walls with weak holding force, such as plasterboard. To attach this product to the plasterboard, please make sure the screws are securely fastened to the keel. Please choose the proper safety devices according to the type of wall in your house.

**01** Tempered glass has a 0.3% risk of self-explosion. In case of such an accident, please contact us and we will replace the damaged glass. During installation, please wear gloves, long-sleeved shirts, pants and socks to avoid possible injury.

**02** To avoid possible accidents, please keep children away during installation. Please make sure that the installation is done by two adults.

**03** During installation, use cardboard or carpet as a buffer layer to prevent the glass corner from colliding with hard objects such as the floor. Especially when installing tempered glass, make sure the corners do not hit the floor to prevent the tempered glass from exploding due to force changes.

**04** When installing a display case, install the anti-tilt device first to avoid possible serious or fatal injury. To prevent possible tipping over, the display case must be permanently attached to the wall. Wall mounting is not limited to the fixtures we offer. You are free to install similar fixtures to avoid possible hazards.

**05** DO NOT operate the cabinet door frequently, and DO NOT shake the cabinet to avoid the risk of colliding with the cabinet door or dropping objects. Again, install an anti-tipping device and keep children away (at least 2 meters/6.6 feet away) from this display case. Please also install a door lock to avoid possible injury from accidental operation by children.

**06** The top/bottom panel of this cabinet is made of MFC/PVC-covered particle board, which is not fireproof.

**07** For disposal, please contact the relevant local authorities or qualified companies.

**08** The product is a partially transparent tempered glass display case, it is not fully transparent. After installation, the distance may be different due to the different fixing forces.

**09** No part of this product can be swallowed, played with, or used for other purposes.

**10** Please adjust the footrest on the product after installation. The maximum load of the glass plate is 8.00 kg/17.64 lbs. Note that the load capacity is for stored items only.

**11** Product dimensions may have a tolerance of 10 mm/0.4 inch due to different measuring tools or methods.


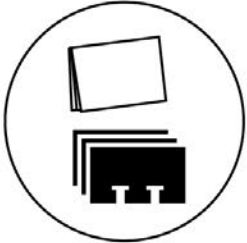
**12** After installing the cabinet, check and tighten all screws to avoid potential safety hazards, such as shelves falling and cabinet structures becoming loose due to loose screws.







Please make sure to install two anti fall devices



Manual preservation/maintenance

Please keep the installation manual properly and do not discard it;

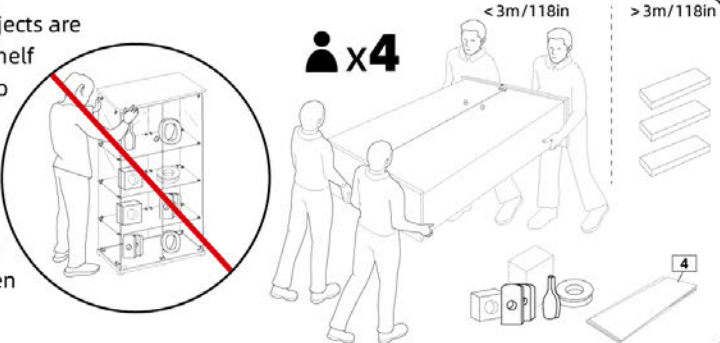





ACID/BASE  
WATER

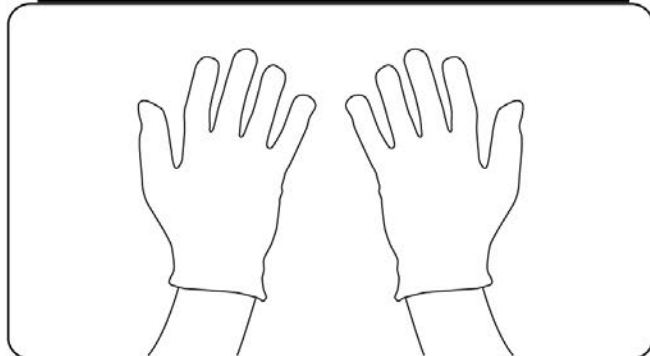
Please do not use acidic or alkaline detergents to clean tempered glass or cover plates. Do not use a damp cloth to wipe tempered glass. Use a slightly damp cloth containing water to wipe tempered glass; Please use a dry cloth to wipe the cover plate!

Cabinet movement instructions

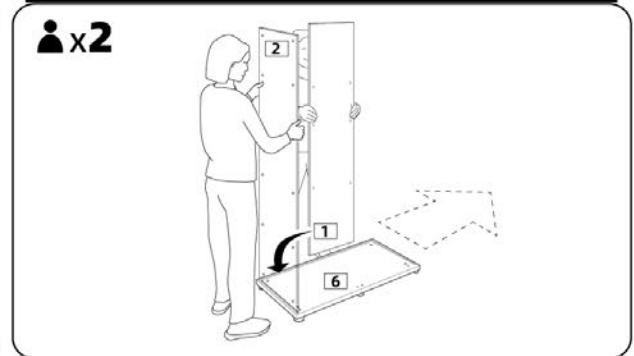
Before moving the cabinet, please ensure that no objects are placed on the shelf; Remove the tempered glass shelf and put it in a safe location; Check the door lock to ensure that the tempered glass door is closed; Items inside the cabinet are prohibited. Please use four people when moving, it is limited to short distance indoor movement and the movement distance should not exceed 3 meters (< 3m/118in); Please completely unpack and protect the glass when moving or moving over long distances!



Please use gloves during installation



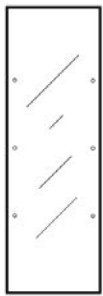
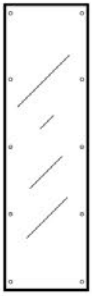
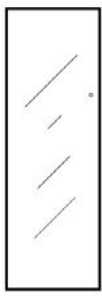




When installing, please start from one side




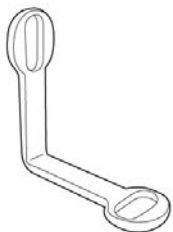
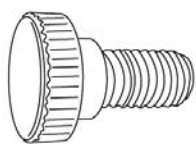
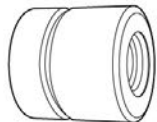

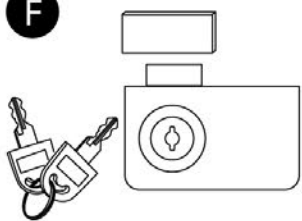


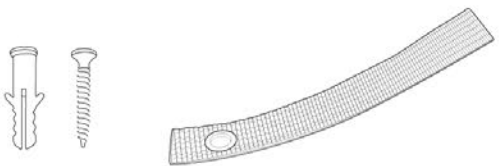

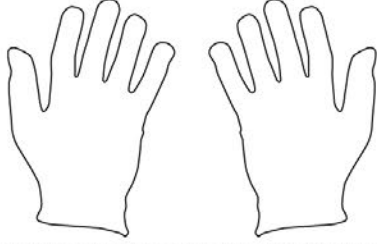
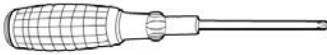
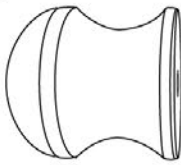
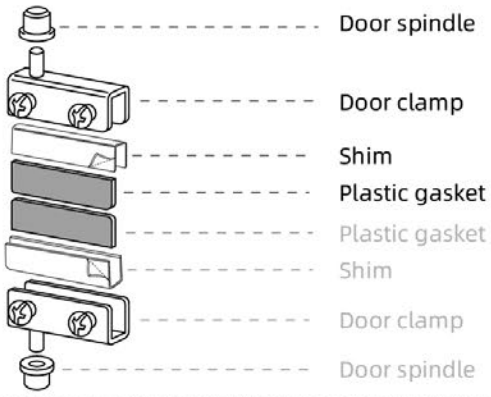
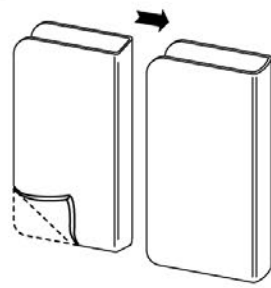
# PRODUCT COMPONENT LIST

NO	ASSEMBLY	SIZE	NUMBER	TEXTURE OF MATERIAL
1	Back glass	1576*390mm(δ4mm)	2	Tempered glass
2	Side glass	1576*345mm(δ4mm)	2	
3	Door glass	1555*387mm(δ5mm)	2	
4	Shelf glass	777*315mm(δ5mm)	3	
5	Top plate	807*365mm(δ25mm)	1	MFC/PVC edge banding
6	bottom plate	807*365mm(δ25mm)	1	MFC/PVC edge banding
7	Accessory Package	Various specifications		Various materials

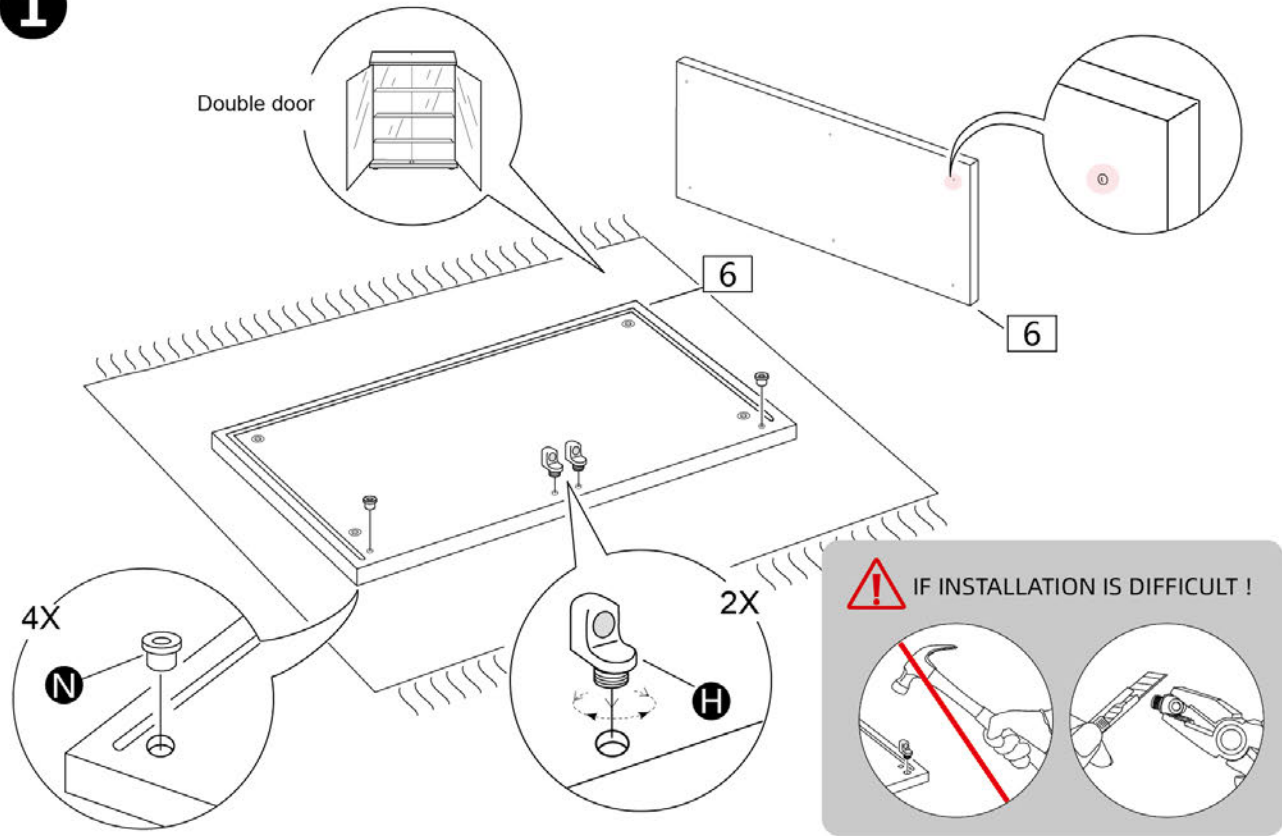
**!** Product dimensions may have an error with 10mm due to the usage of different measuring tools or methods;  
If you find that the number of parts in the kit is not consistent with the manual, the excess number can be used as a backup.

<p>1</p>  <p>1576*390*4 mm</p> <p>Back glass / x2</p>	<p>2</p>  <p>1576*345*4 mm</p> <p>Side glass / x2</p>	<p>3</p>  <p>1555*387*5 mm</p> <p>Door glass / x2</p>	<p>4</p>  <p>777*315*5mm</p> <p>Shelf glass / x3</p>
<p>5</p>  <p>807*365*25mm</p> <p>Top panel / x1</p>	<p>6</p>  <p>807*365*25mm</p> <p>bottom panel / x1</p>	 <p><b>GOOD TO KNOW ABOUT TEMPERED GLASS</b></p> <p>HANDLE WITH CARE! A DAMAGED EDGE OR SCRATCHED SURFACE CAN IN EXCEPTIONAL CASES CAUSE THE GLASS TO CRACK SUDDENLY. HOWEVER, NEVER INTO SHARP FRAGMENTS, ONLY INTO SMALL PIECES. AVOID COLLISIONS FROM THE SIDE - THIS IS WHERE THE GLASS IS MOST VULNERABLE.</p>	

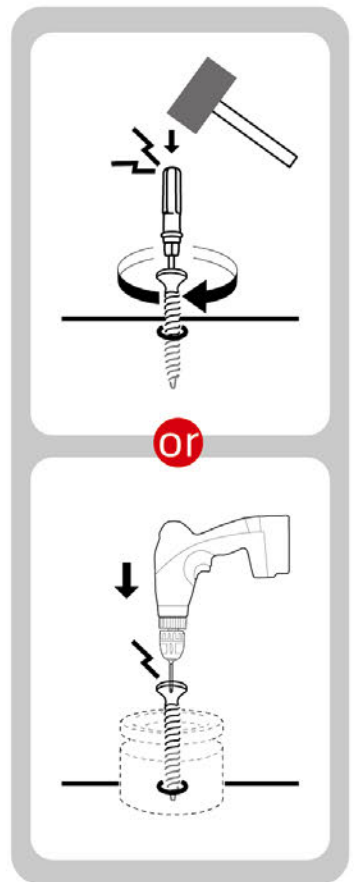
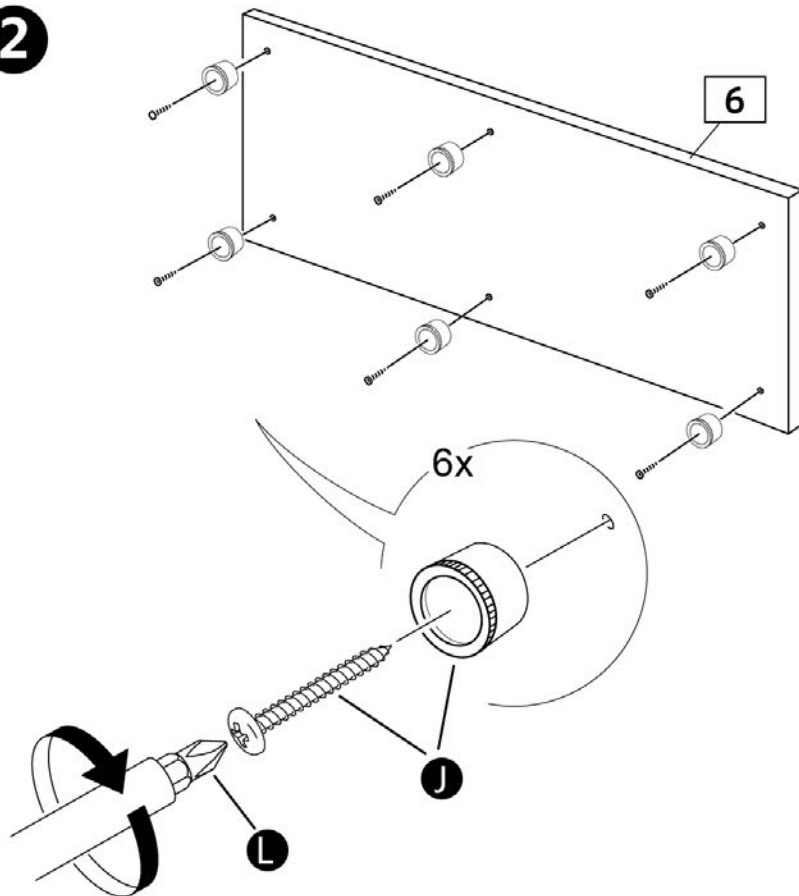
# ASSEMBLY PARTS LIST

<p><b>A</b></p>  <p>ConnectorA / x6</p>	<p><b>B</b></p>  <p>ConnectorB / x8</p>	<p><b>C</b></p>  <p>Screw / x43</p>	<p><b>D</b></p>  <p>Nut / x32</p>
<p><b>E</b></p>  <p>Gasket(white) / x66</p>	<p><b>F</b></p>  <p>lock / x1</p>	<p><b>G</b></p>  <p>Washer(black) / x32</p>	<p><b>H</b></p>  <p>Door stopper / x2</p>
<p><b>I</b></p>  <p>Anti-tipping device / x1</p>		<p><b>J</b></p>  <p>Anchor / x6</p>	
<p><b>K</b></p>  <p>Glove / x2</p>	<p><b>L</b></p>  <p>Screwdriver / x1</p>	<p><b>M</b></p>  <p>Door stopper / x2</p>	
<p><b>N</b></p>  <p>Door clip set / x2</p>		<p><b>W</b></p>  <p>Horn guard / x2</p>	

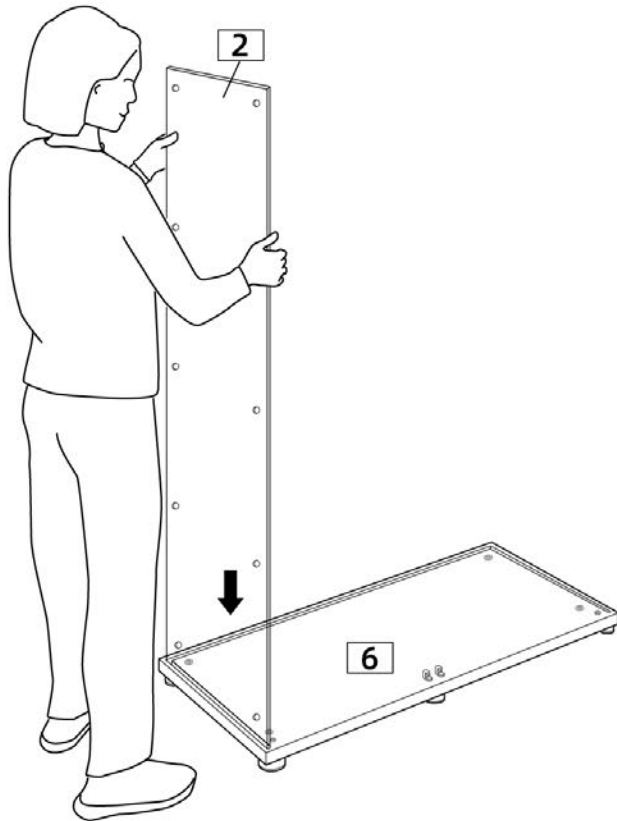
1



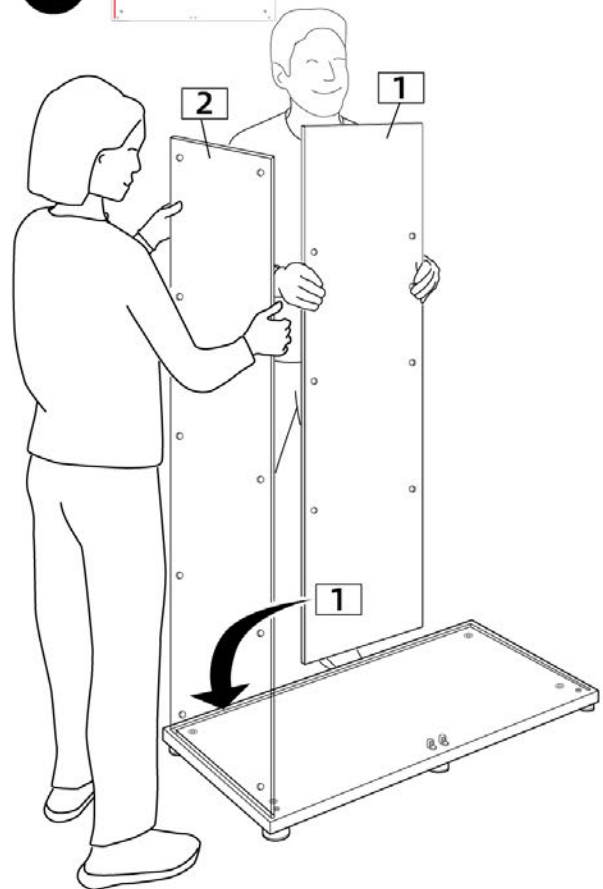
2



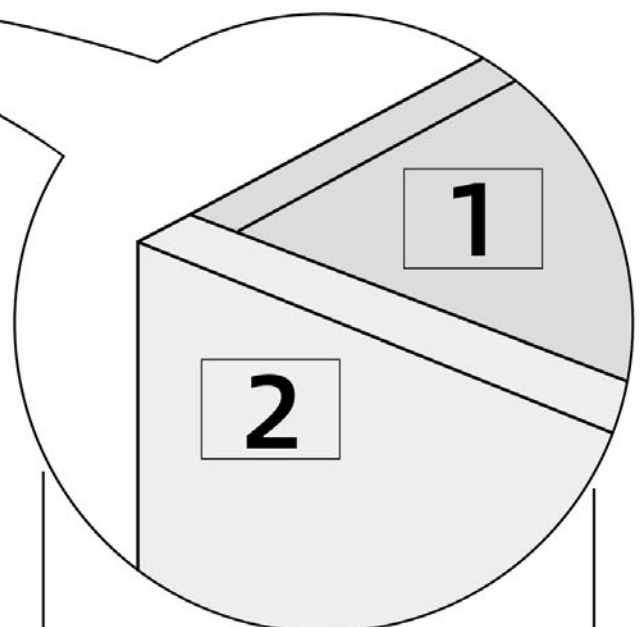
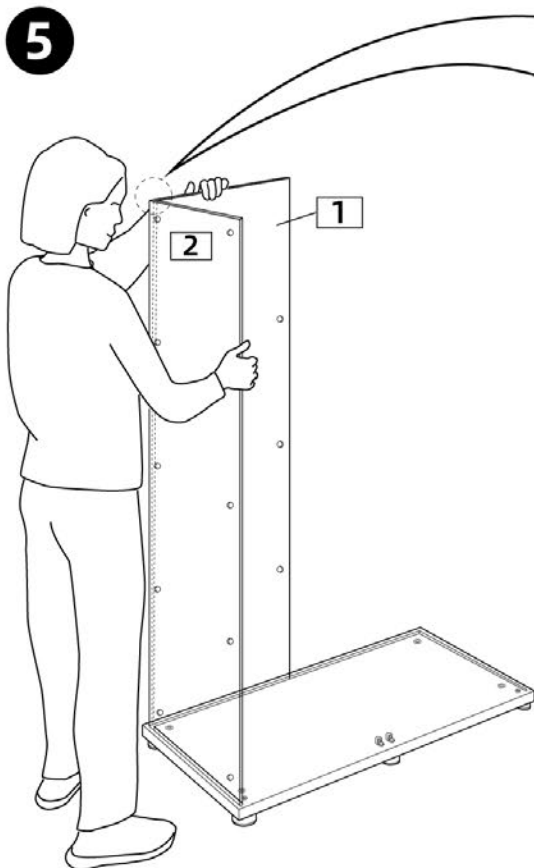
**3**



**4**

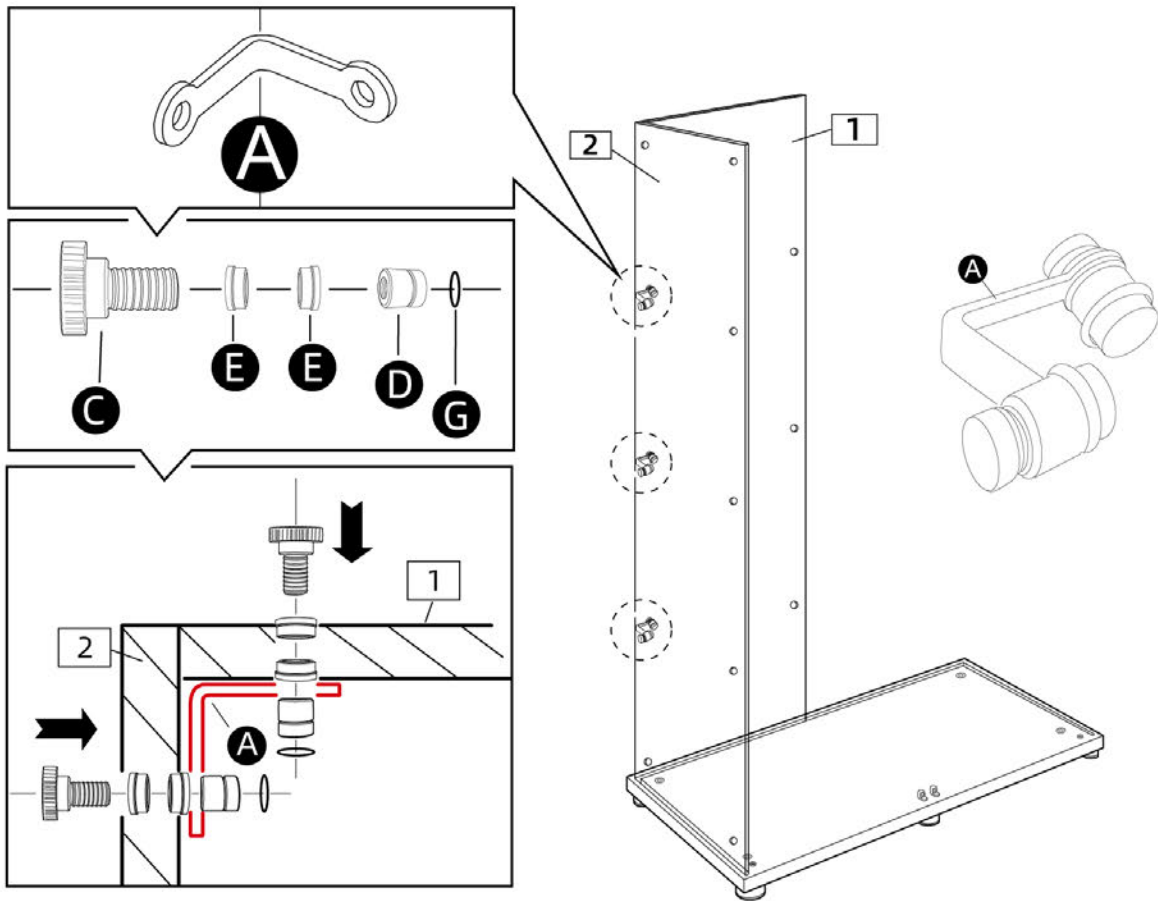


**5**

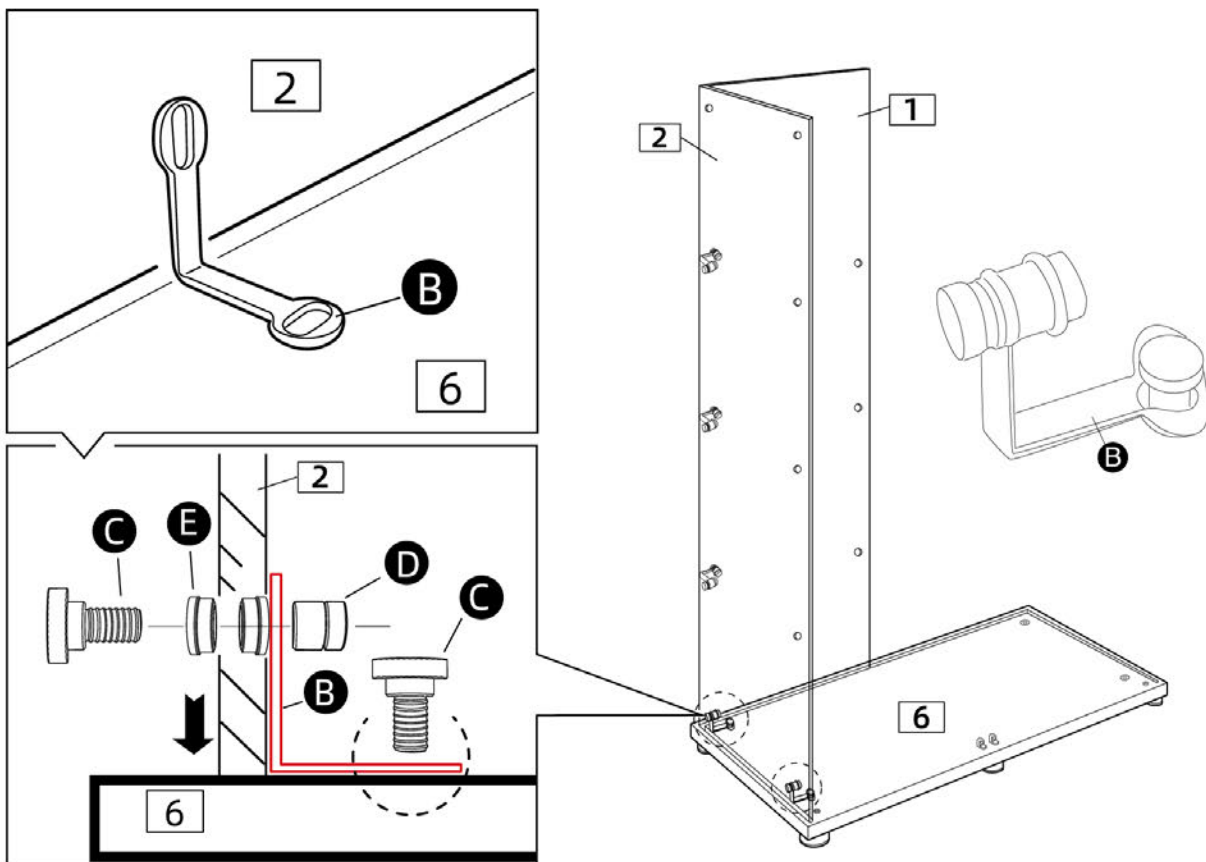


- When installing, please start from one side;
- The installation sequence of tempered glass is **2-1-1-2-3-3-4...**;
- Please fill the bottom plate slot with tempered glass No.2 and push it to the innermost position;

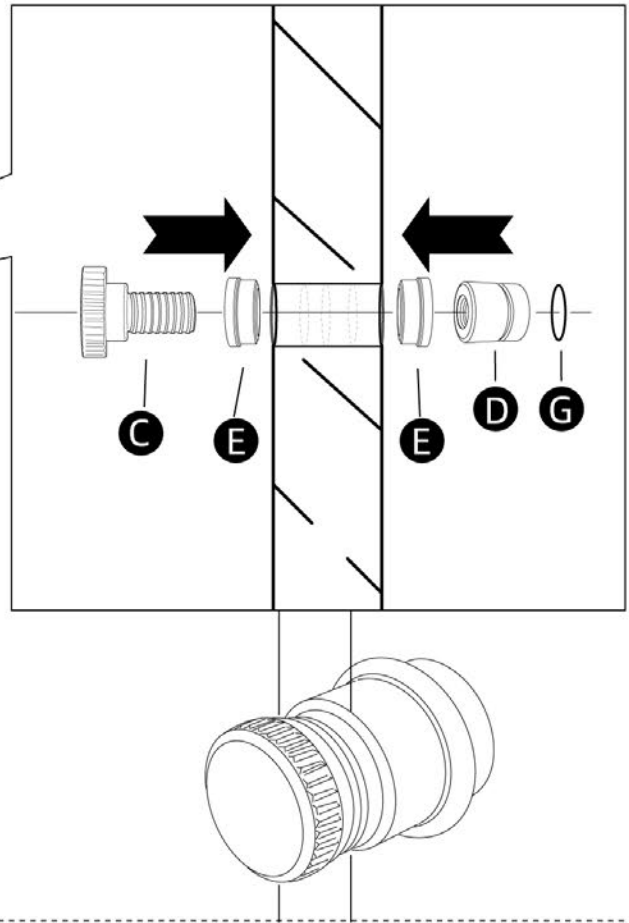
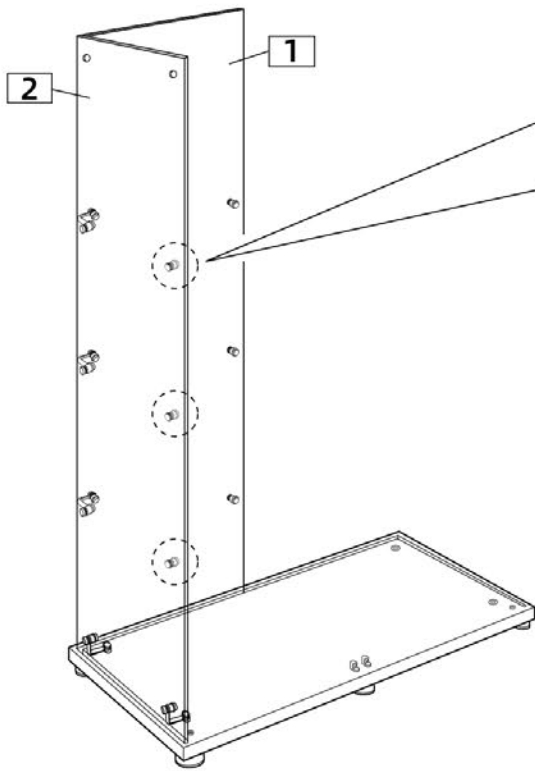
6



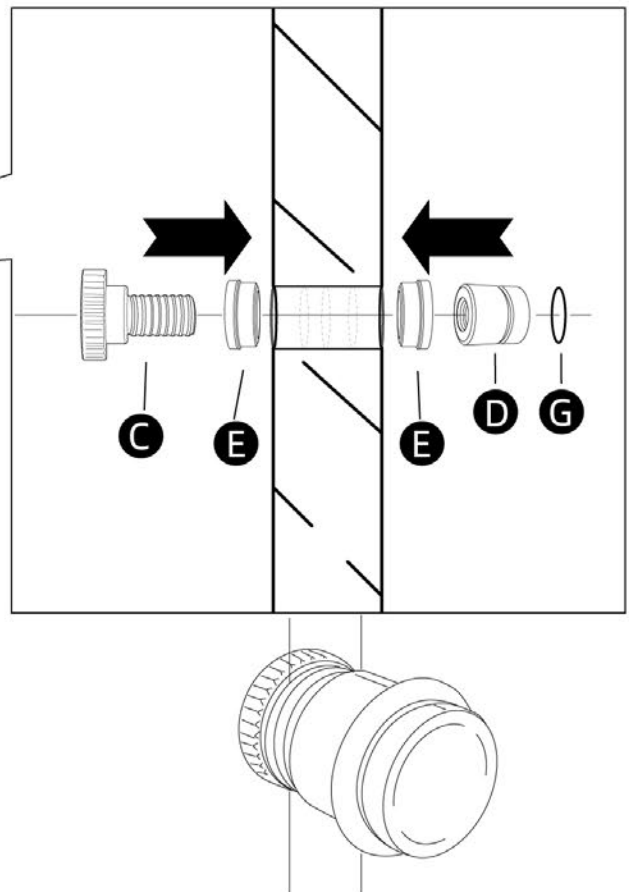
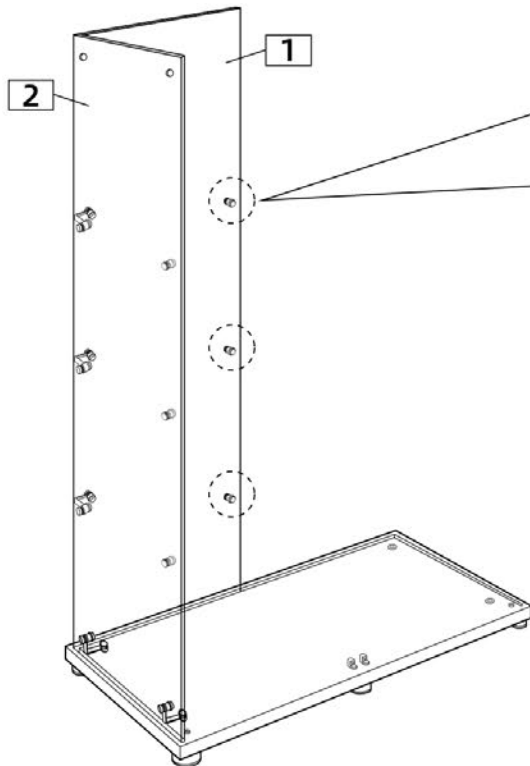
7



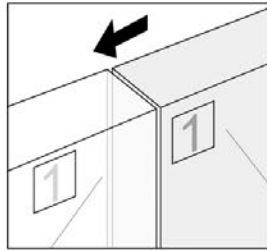
**8**



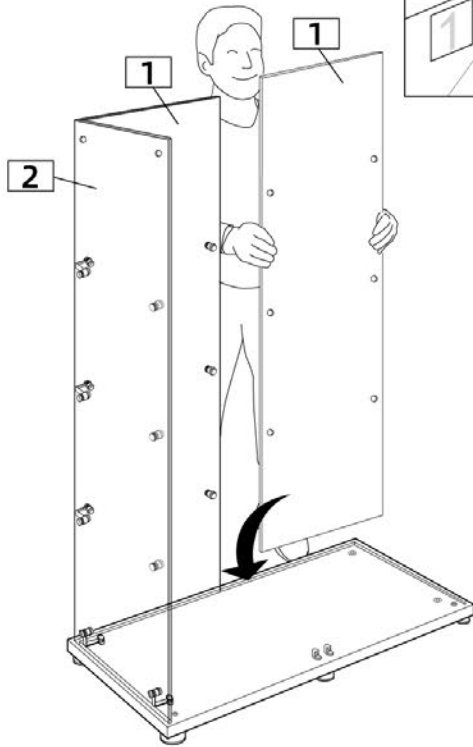
**9**



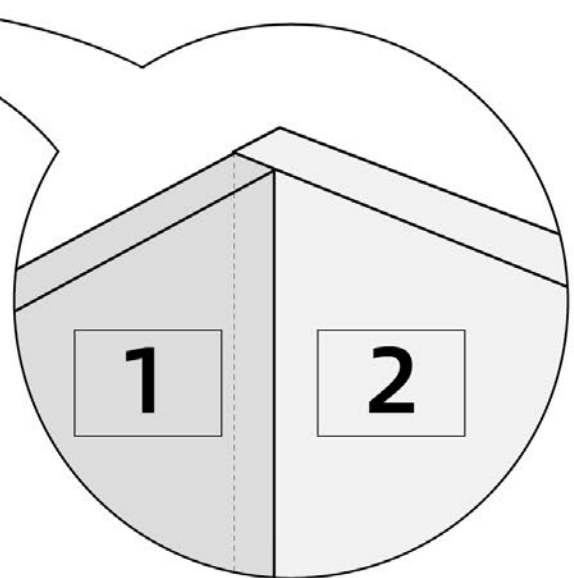
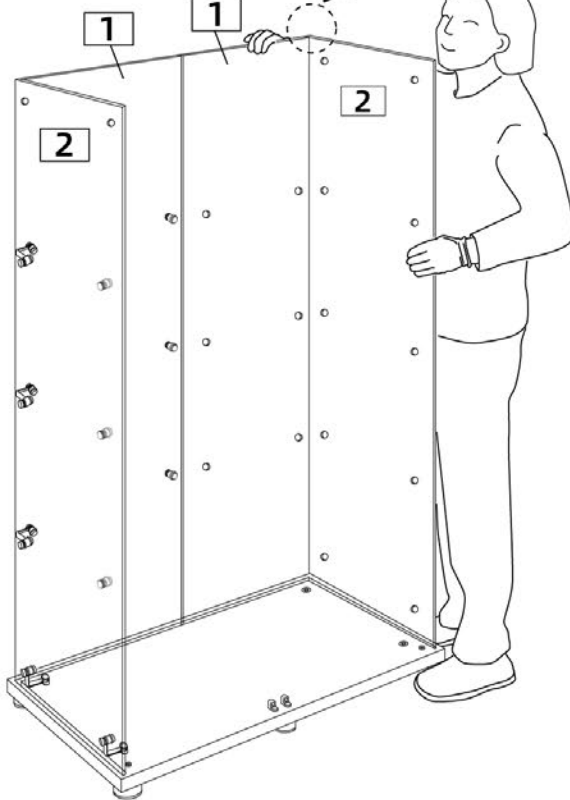
10



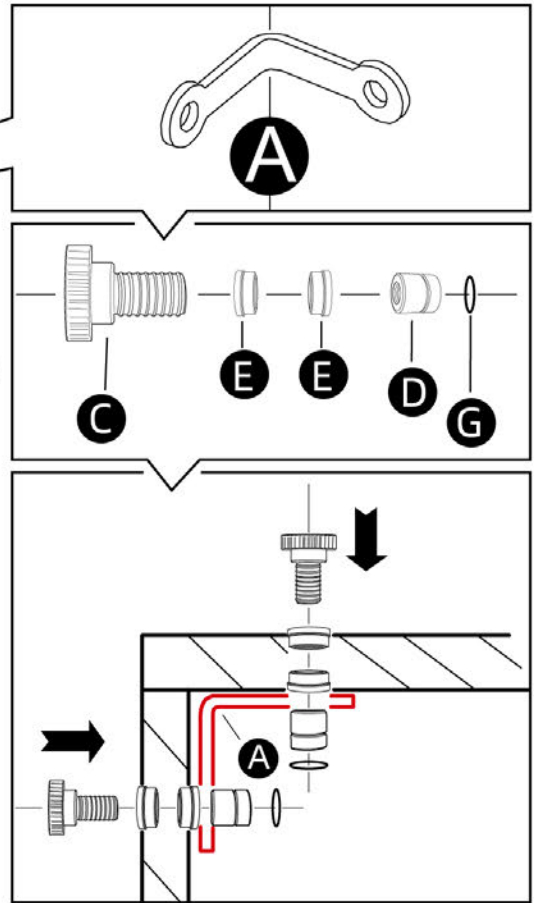
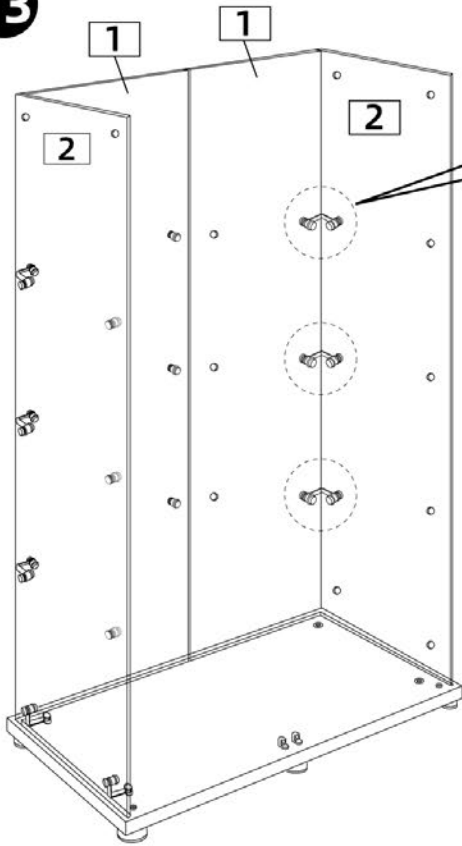
11



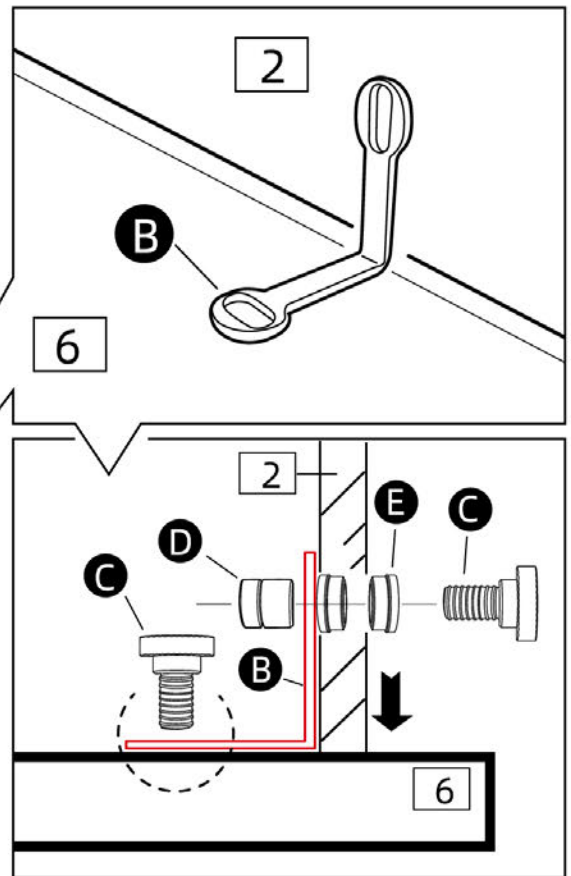
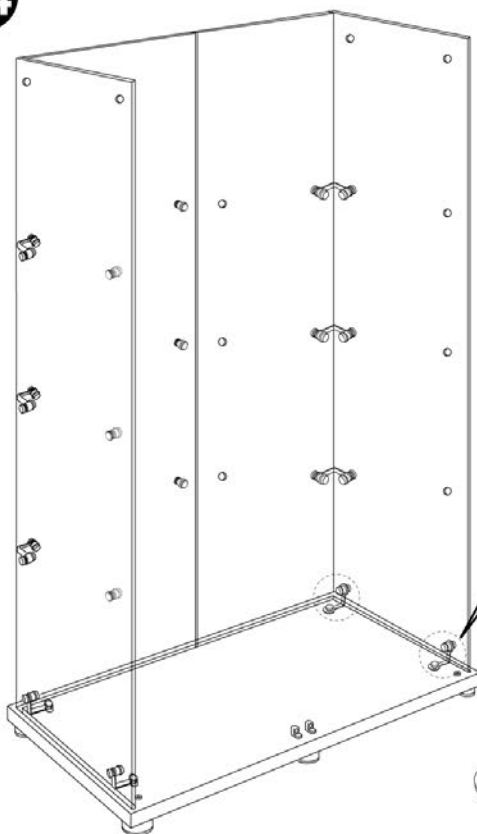
12



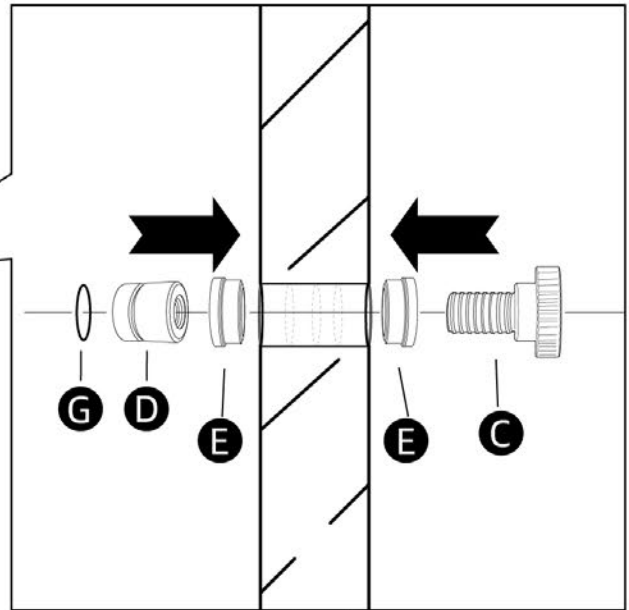
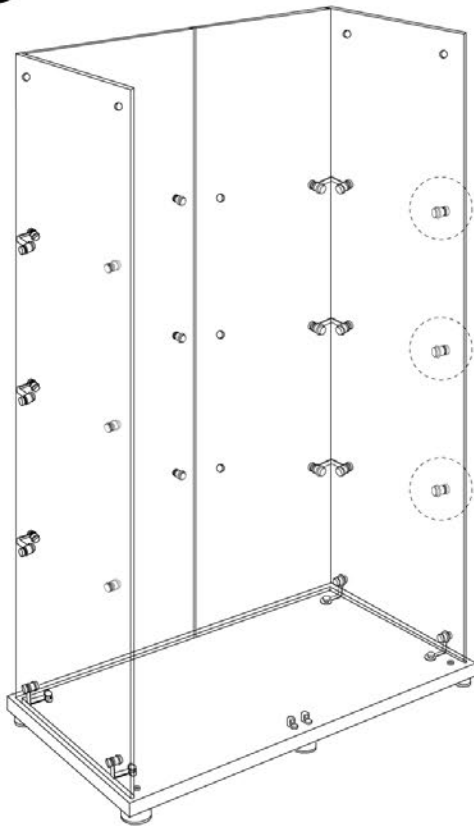
13



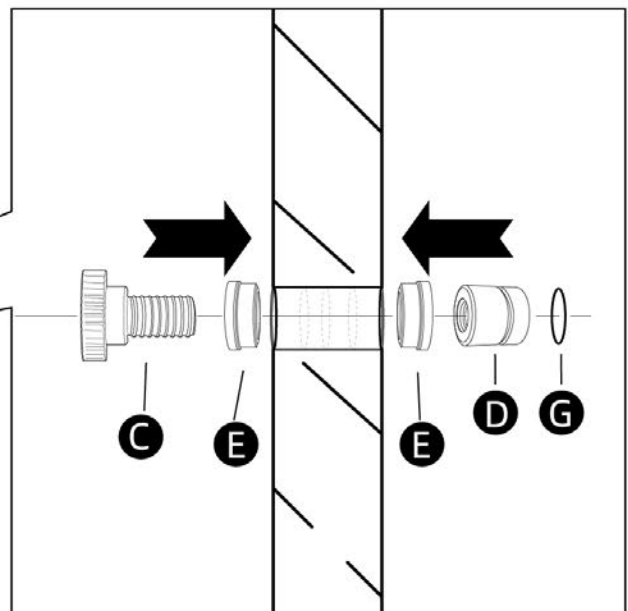
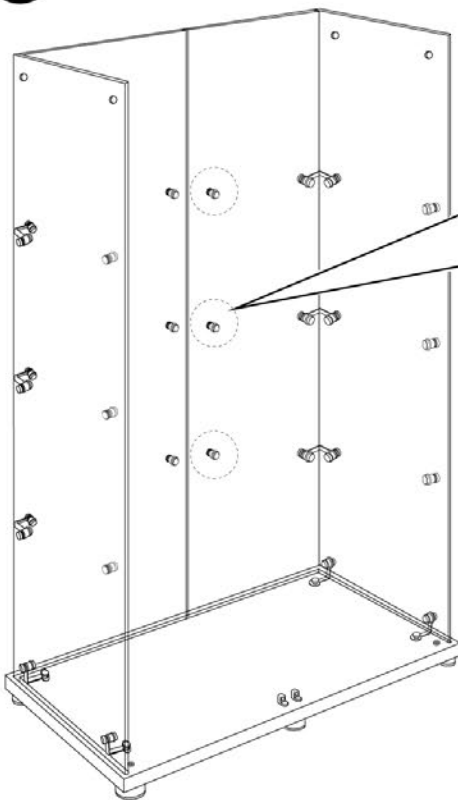
14



15



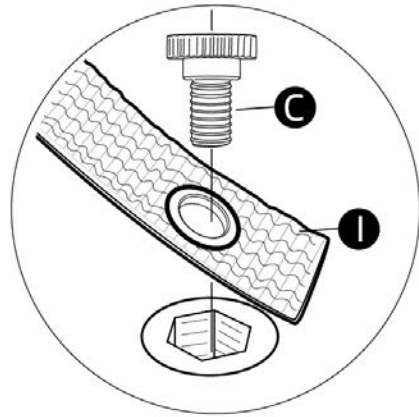
16



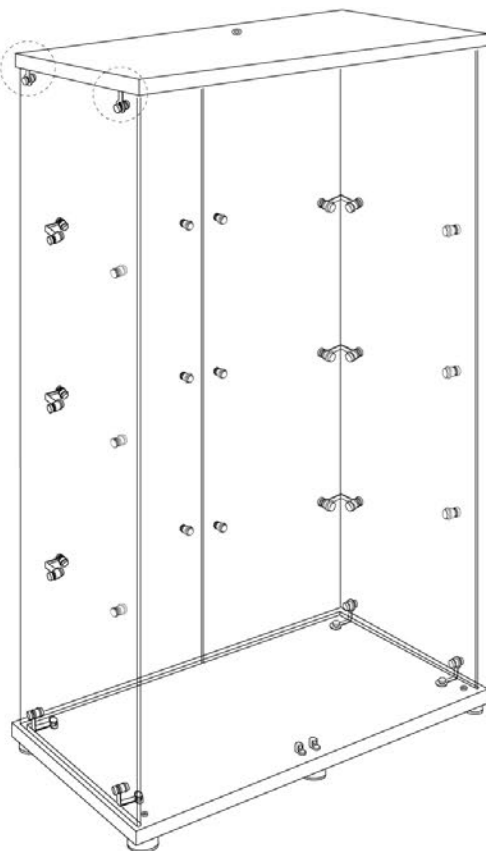
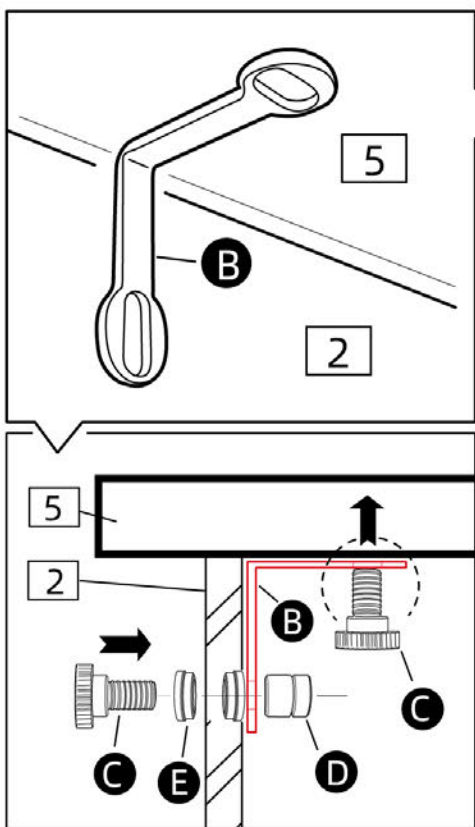
17



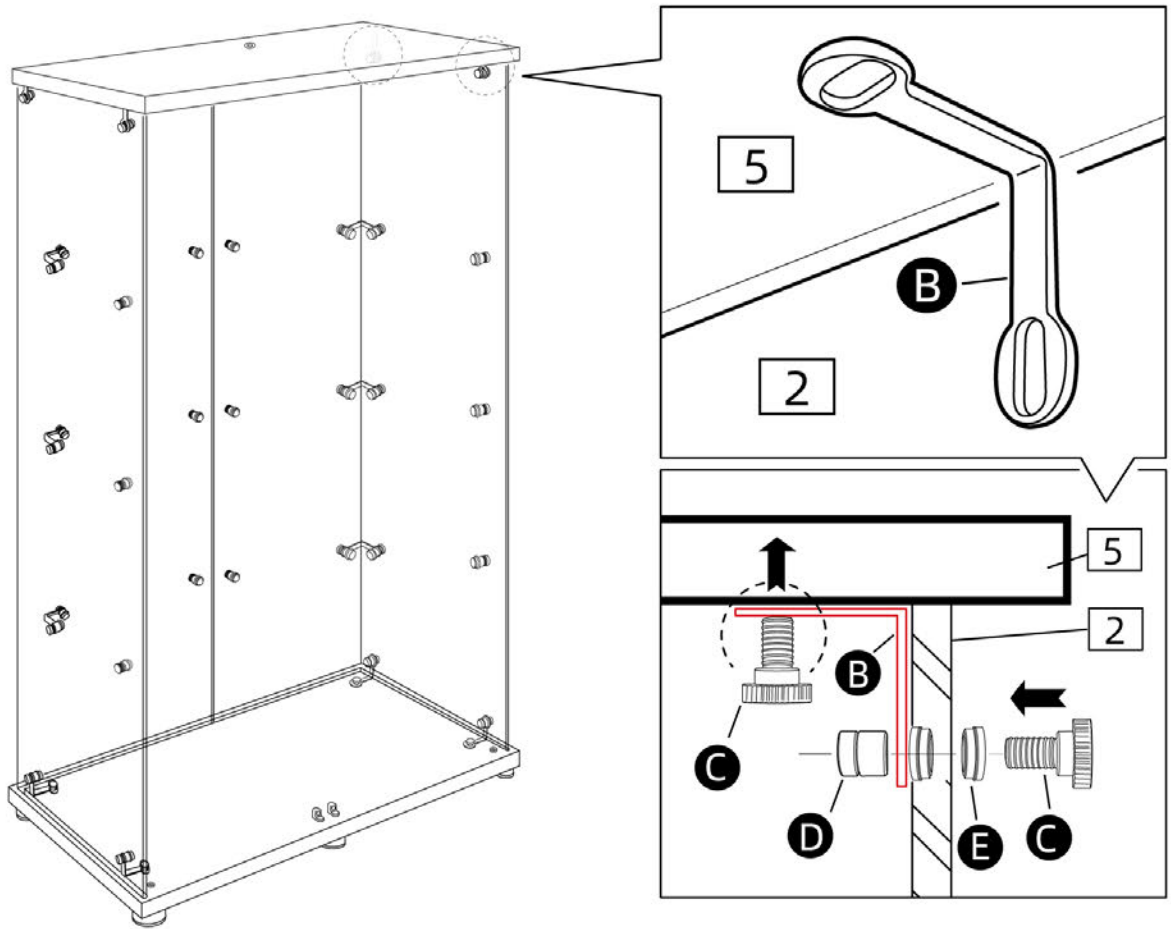
Anti-tipping device



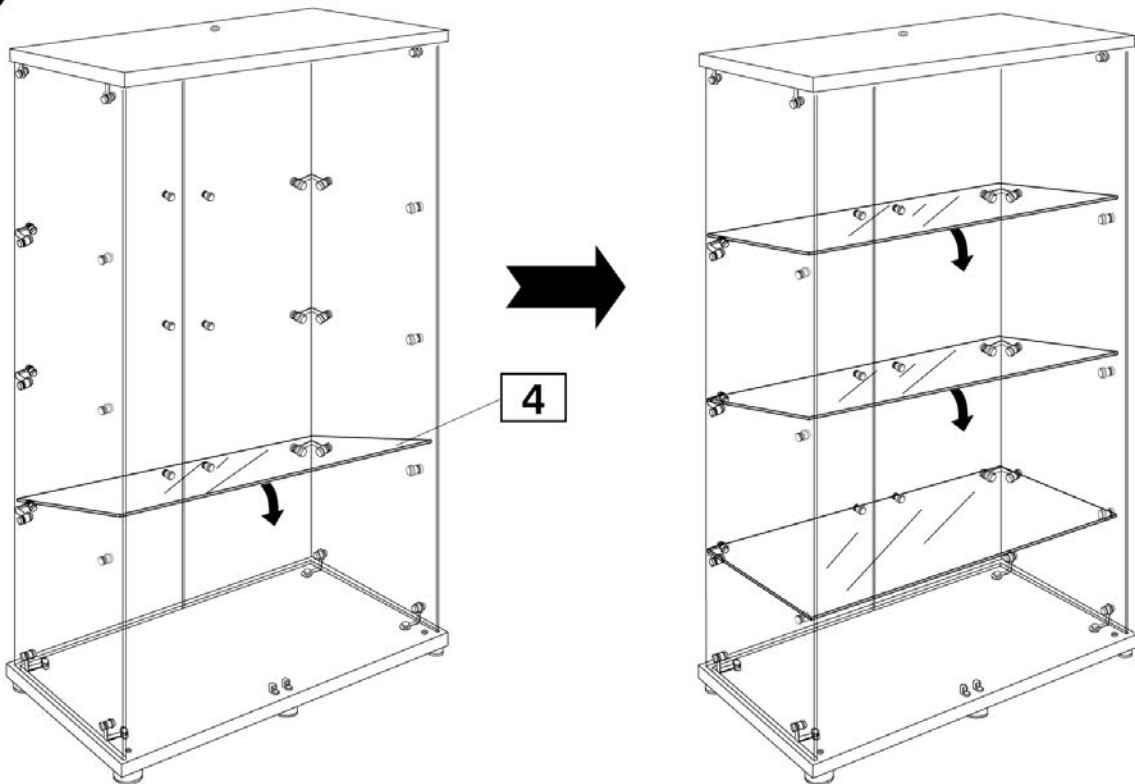
18



19

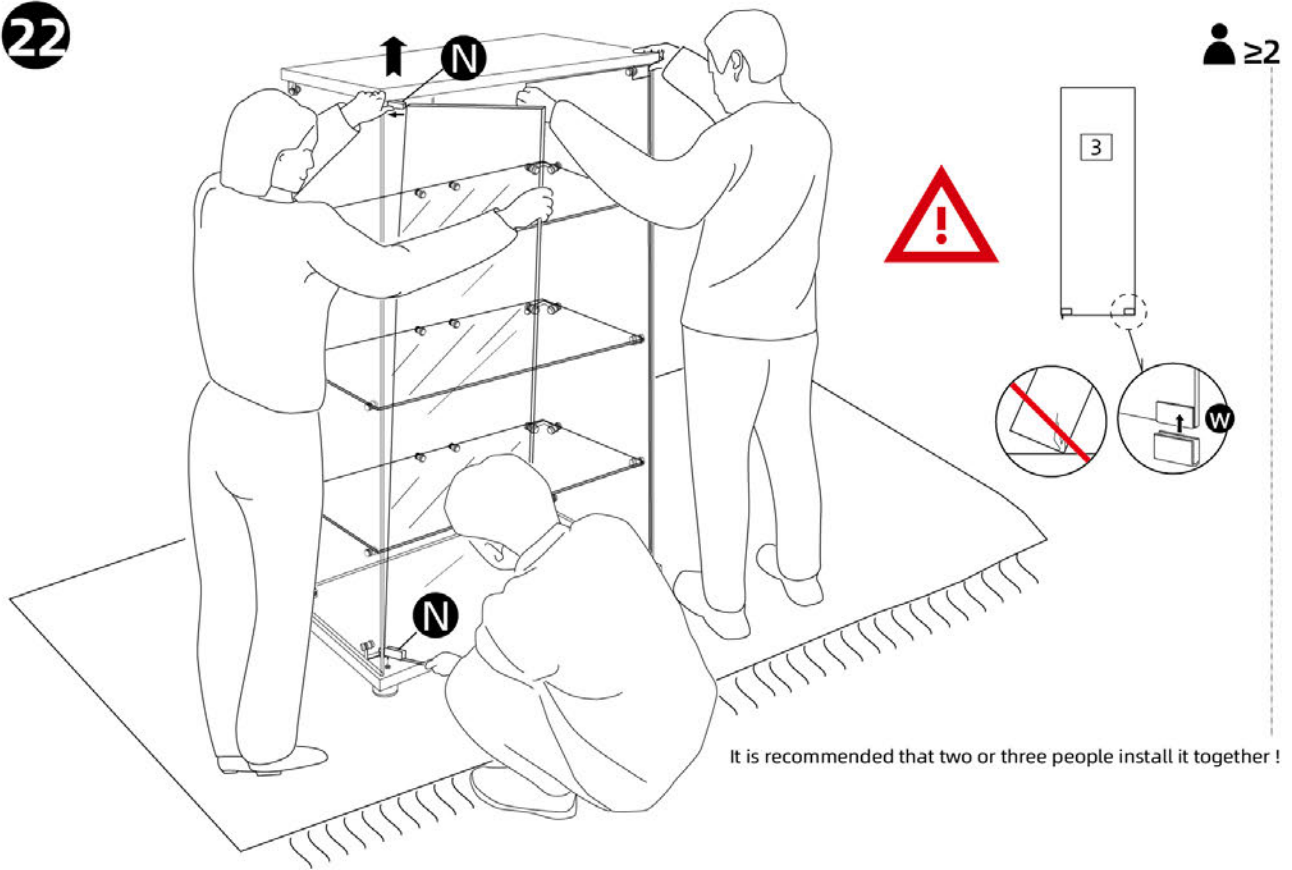


20

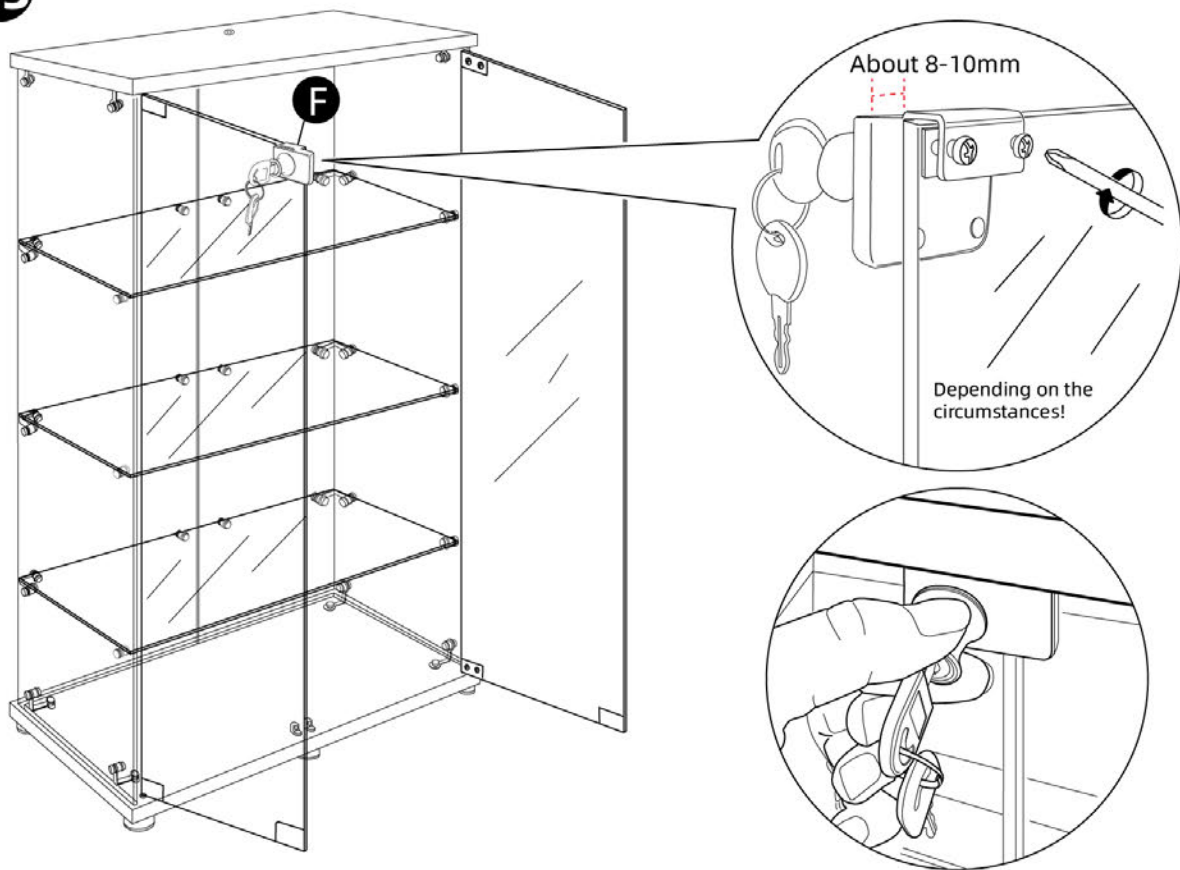




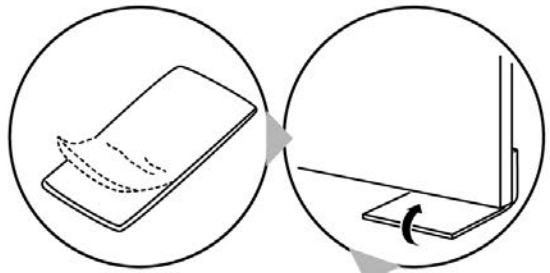
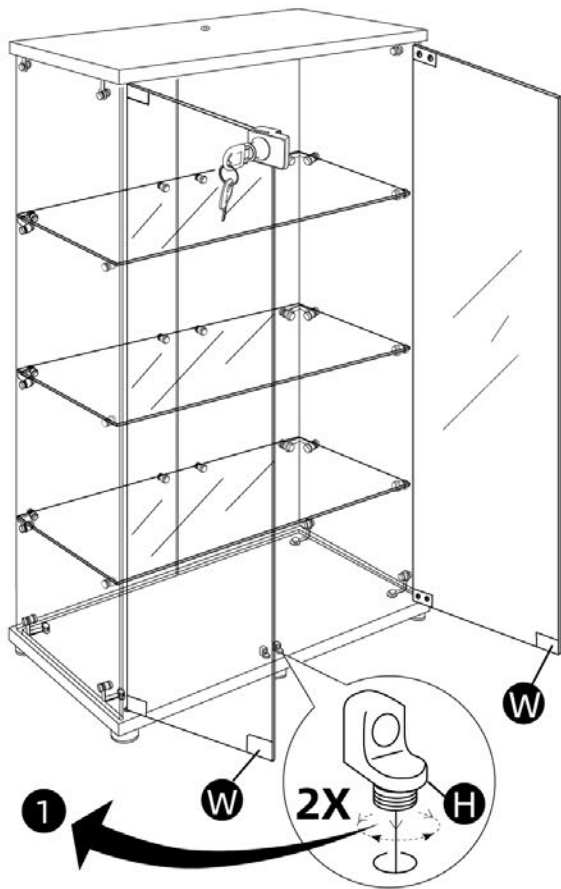
22



23

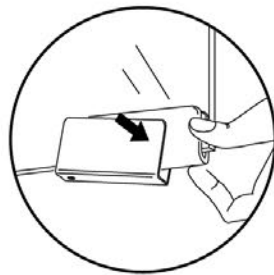
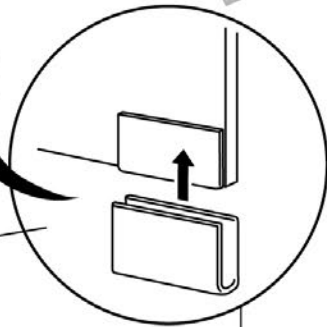


24

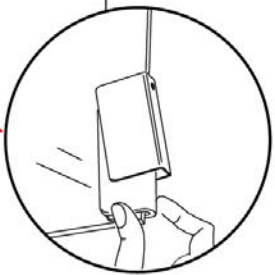


21 22

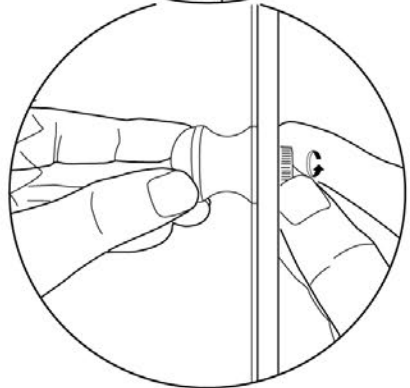
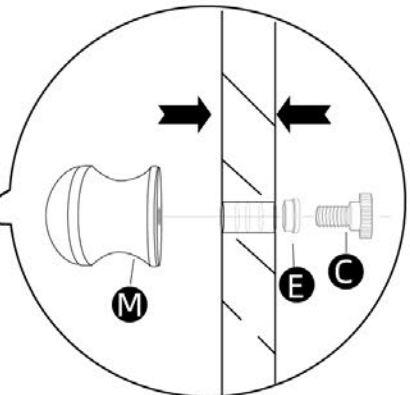
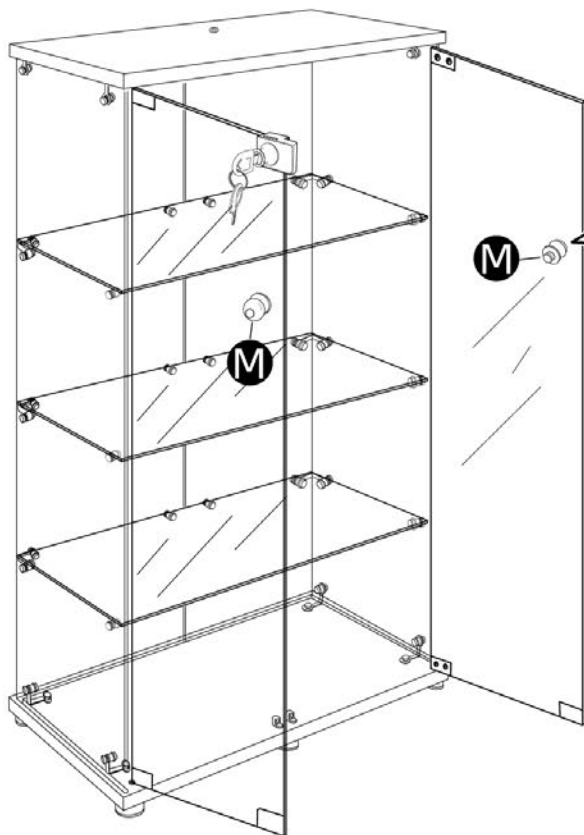
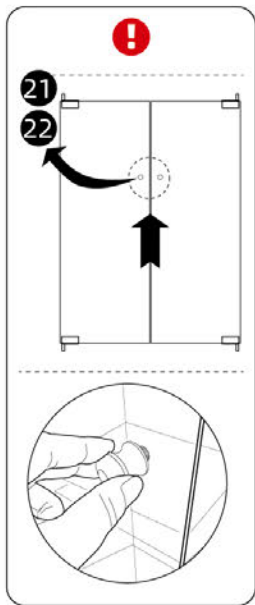
W

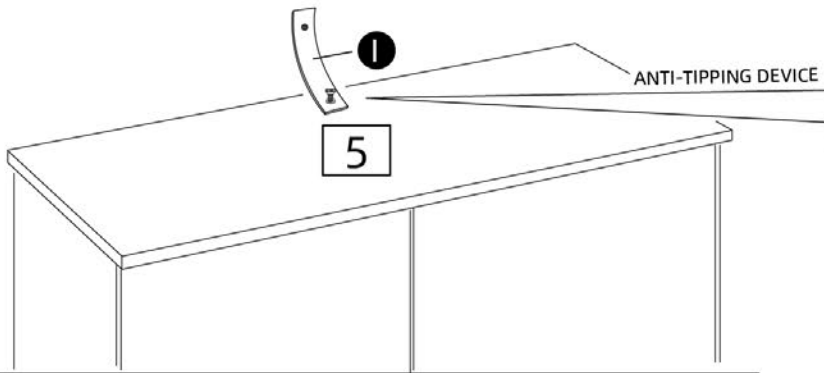


or



25





 **WARNING**  
Serious or fatal crushing injuries can occur from furniture tip-over.  
To prevent this furniture from tipping over it must be permanently fixed to the wall.

