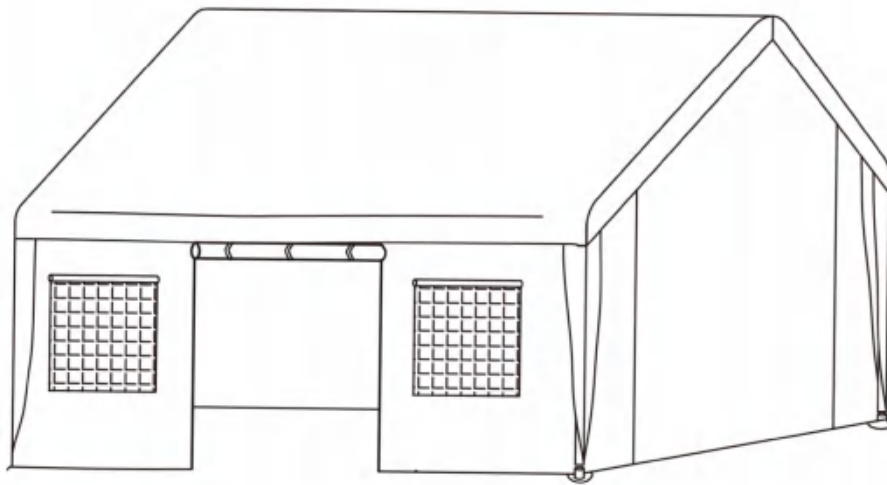


# ASSEMBLY INSTRUCTIONS



**After opening the box, there is an additional complimentary repair adhesive tape in the accessory package. Please keep it safe. If the tarpaulin is damaged due to special reasons, it can be temporarily repaired!**

**ATTENTION:**

- 1. Please check the manual carefully and make sure you have received all the parts.**
- 2. If there is any missing, please let us know the letter of the parts you need.**
- 3. If there is any damage, please send clear photos to us, we will check and offer you best solution soon.**

## TOOLS RECOMMENDED

\*NOTE: The recommended tools are not included in boxes and need to be prepared by yourself.



DRILL



RUBBER MALLET



STEPLADDER  
(6.5Ft Or More)



SAFETY HAT



GLOVES



SAFETY GOGGLES

## ⚠ ATTENTIONS



Two or more people are required for assembly



To better align the screws for practical situations, do not fully tighten screws initially



Please reinforced the carport and do not use in heavy winds or inclement weather



Make sure all screws are tightened before use and check all screws, buckles and straps every 90 days







Since it is easy to lose many small accessories during the installation, please collect all the the screw accessories before the assembly is completed




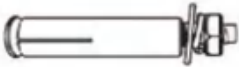

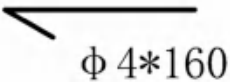

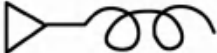
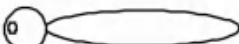



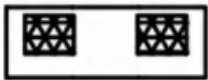
Please clear the snow off the roof in time for the heavy snowfall and do not use it

# ACCESSORY CATALOGUE

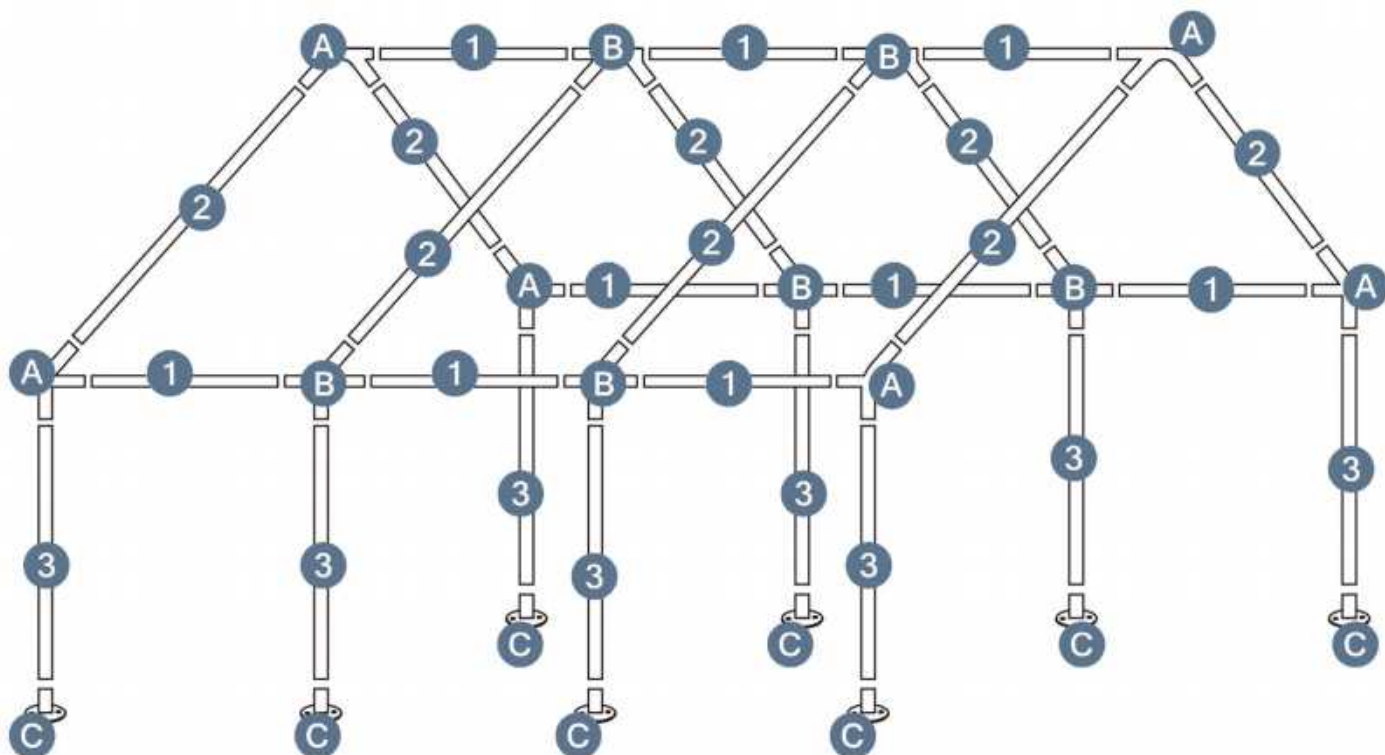
## BOX A

Item no.	Reference Image	Qty.	Item no.	Reference Image	Qty.
1		9	3		8
2		8	F		1

## BOX B

A		6	J		8
B		6	K		16
C		8	L		4
D		72	M		4
E	 M8x45	8	G		2
			H		2

# ACCESSORY CATALOGUE



**P1-1**

# STEP 1

Parts required



1 9pcs



2 8pcs

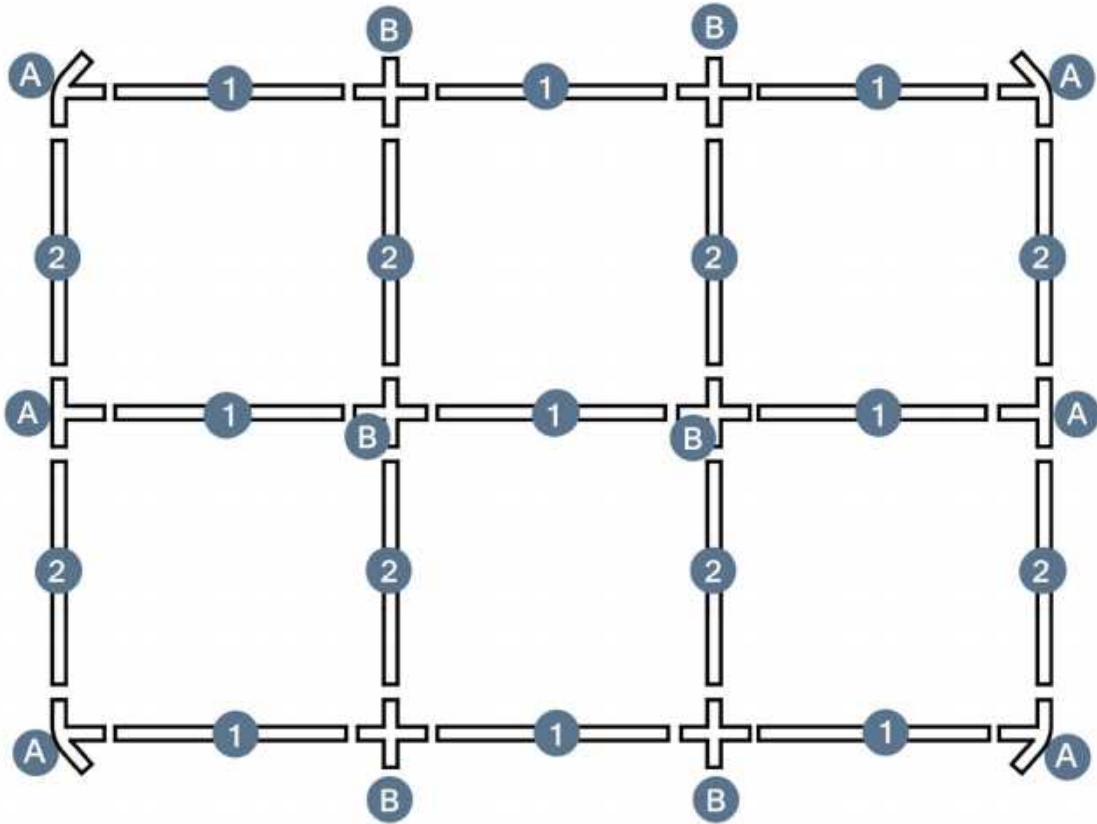


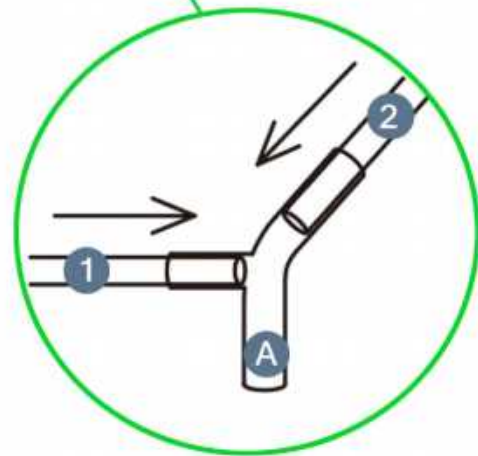
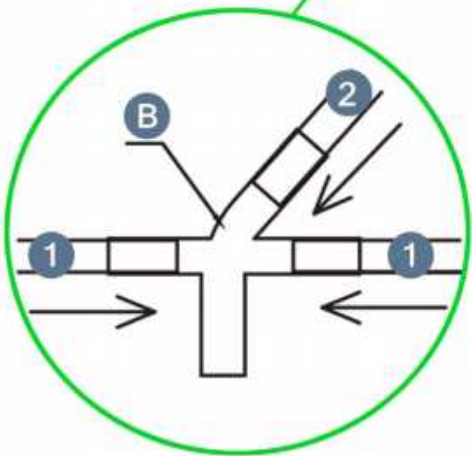
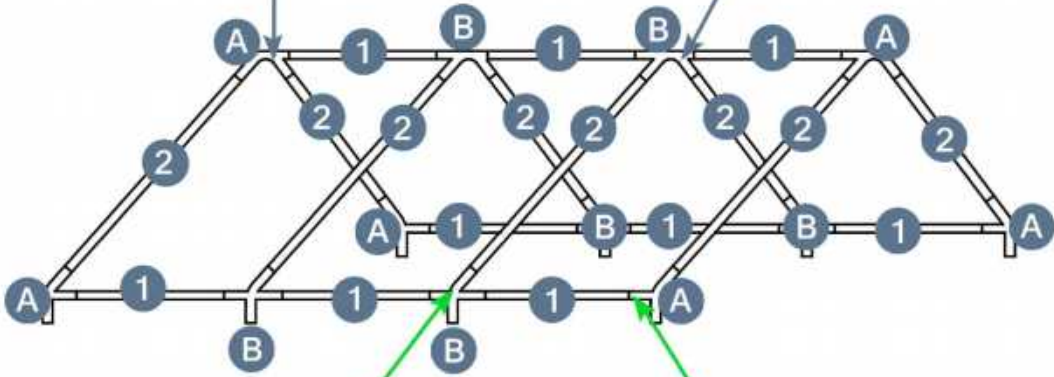
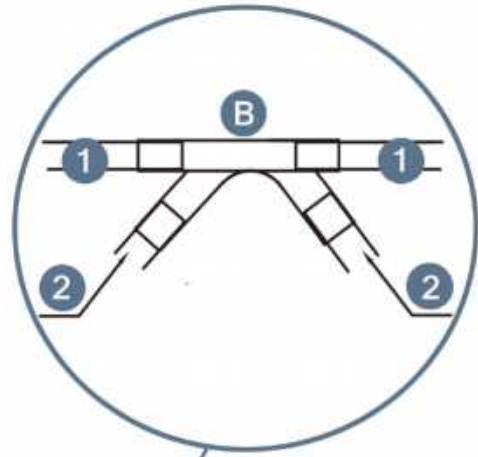
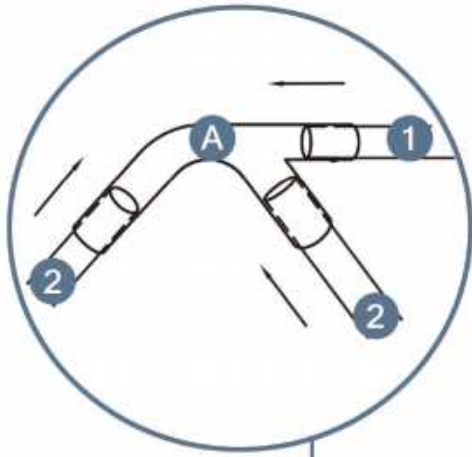
A 6pcs



B 6pcs

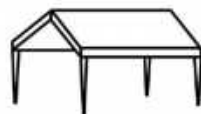
For convenience, please place each accessory according to the position shown in the figure, and then start to build.



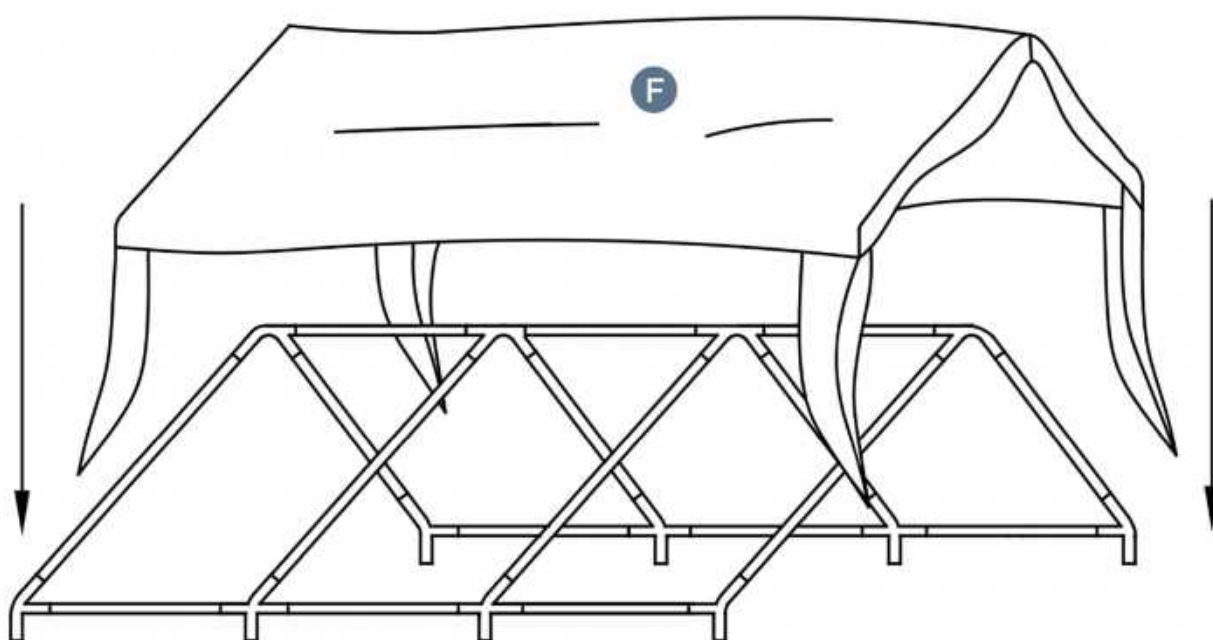


# STEP 2

Parts required



F 1pcs

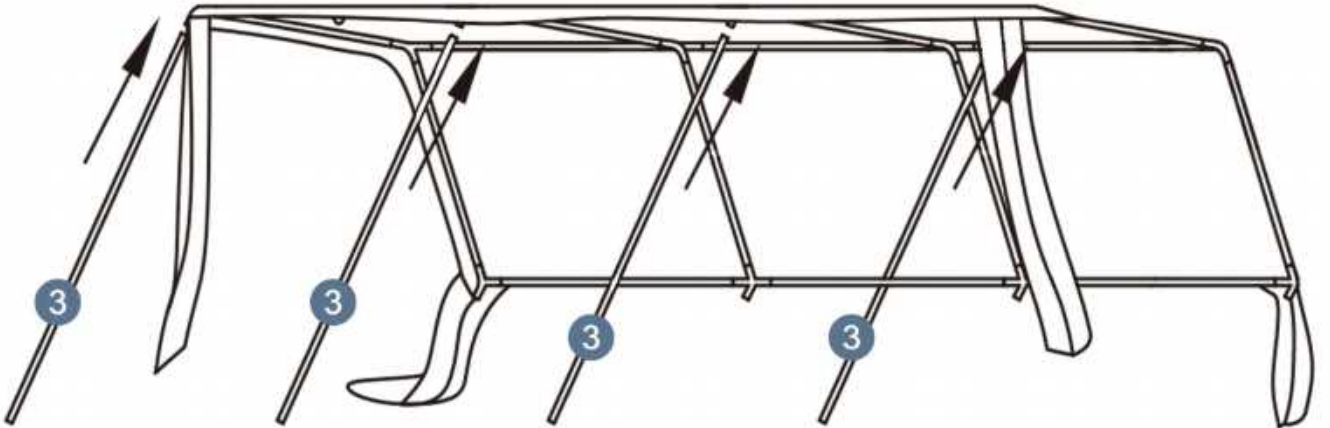
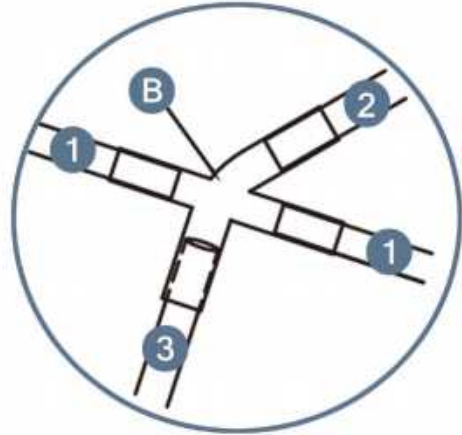
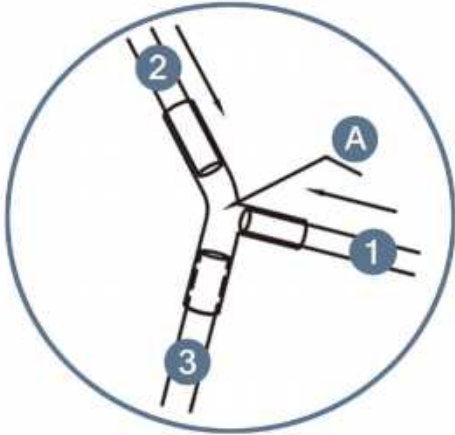


# STEP 3

Parts required

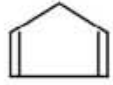


3 4pcs



# STEP 4

Parts required



**G** 2pcs



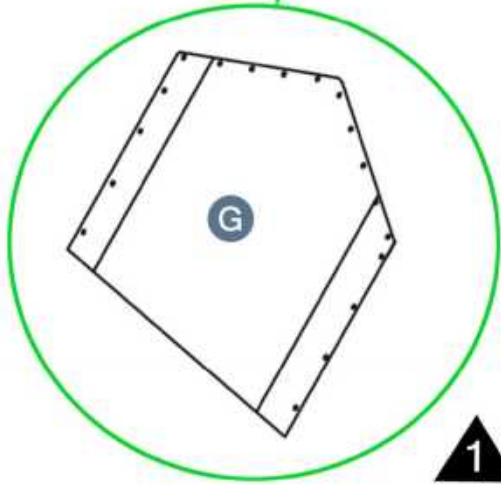
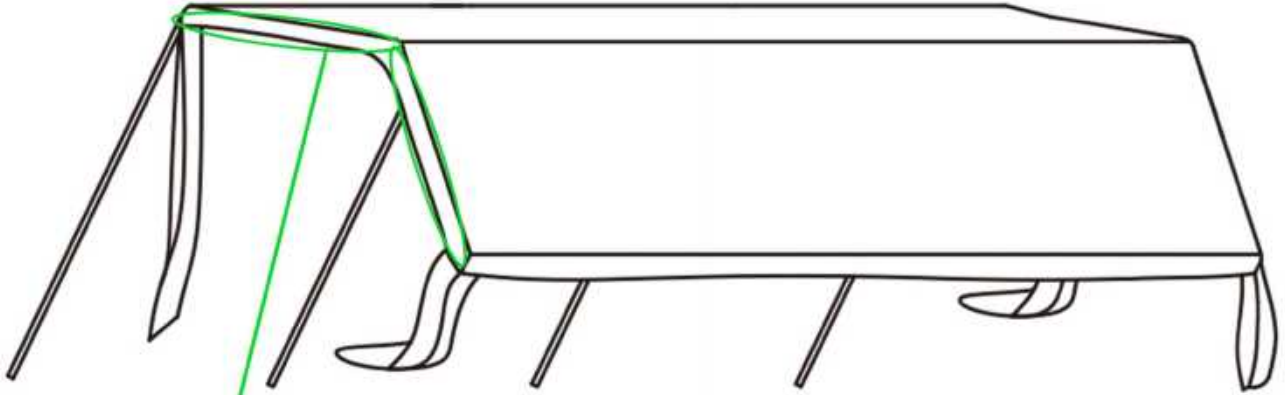
**3** 4pcs



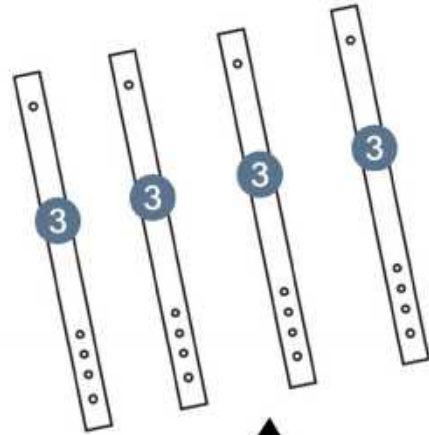
**D** 20pcs

1 → 2

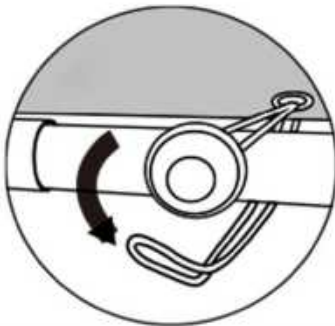
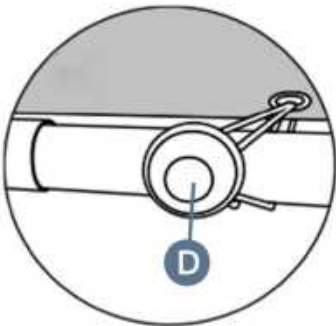
The installation method of D can refer to P1-2



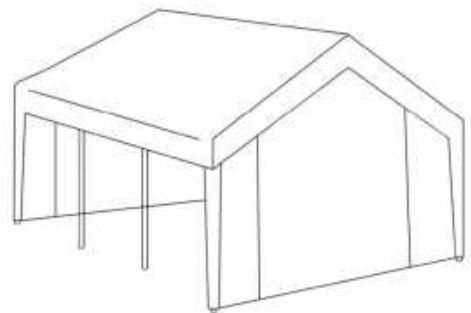
1



2



P1-2



What it looks like after it is set up

# STEP 5

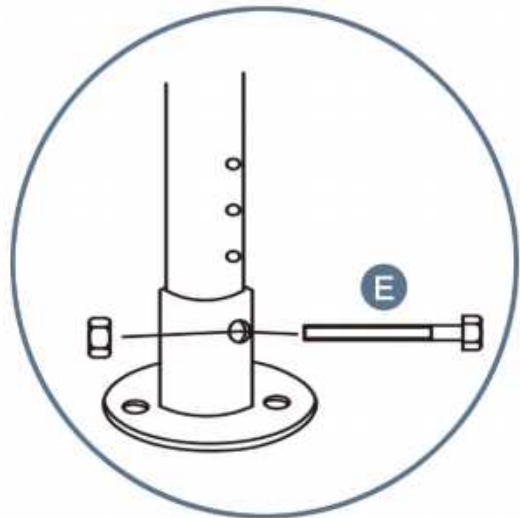
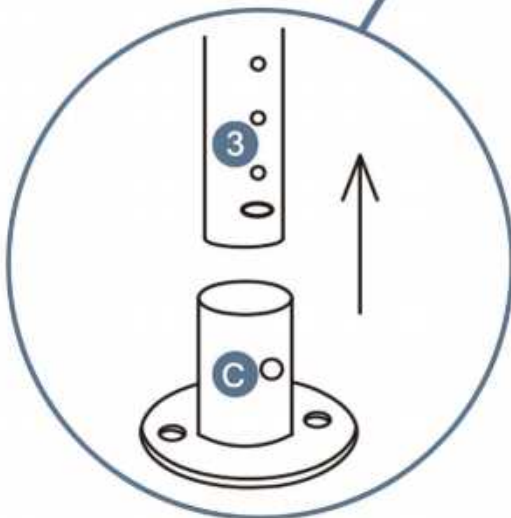
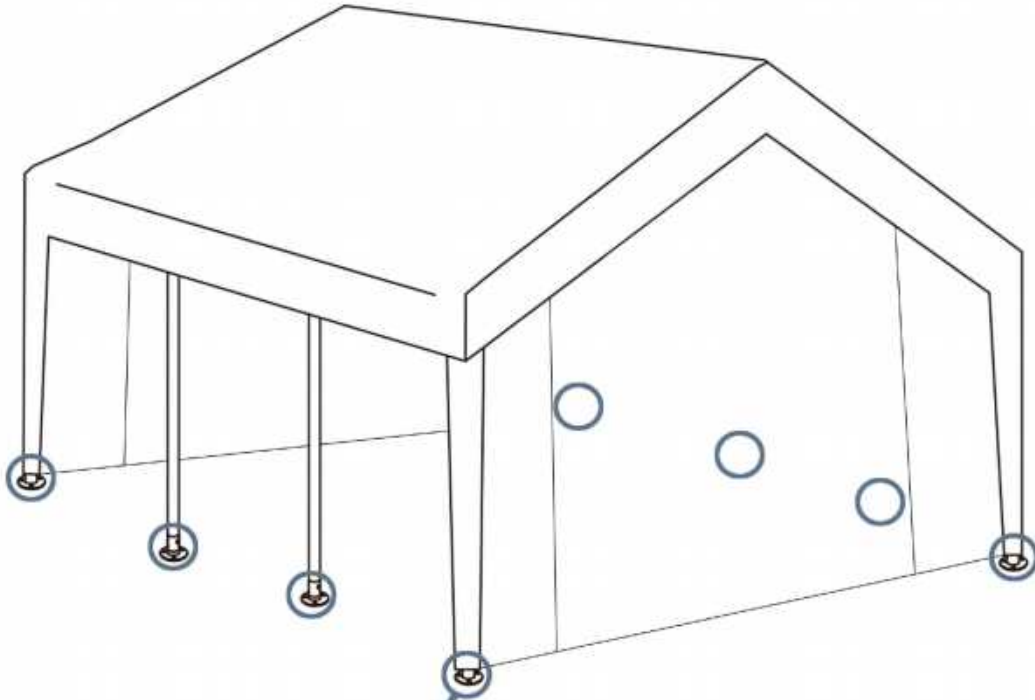
Parts required



**C** 8pcs

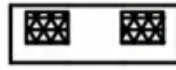


**E** 8pcs



# STEP 6

Parts required

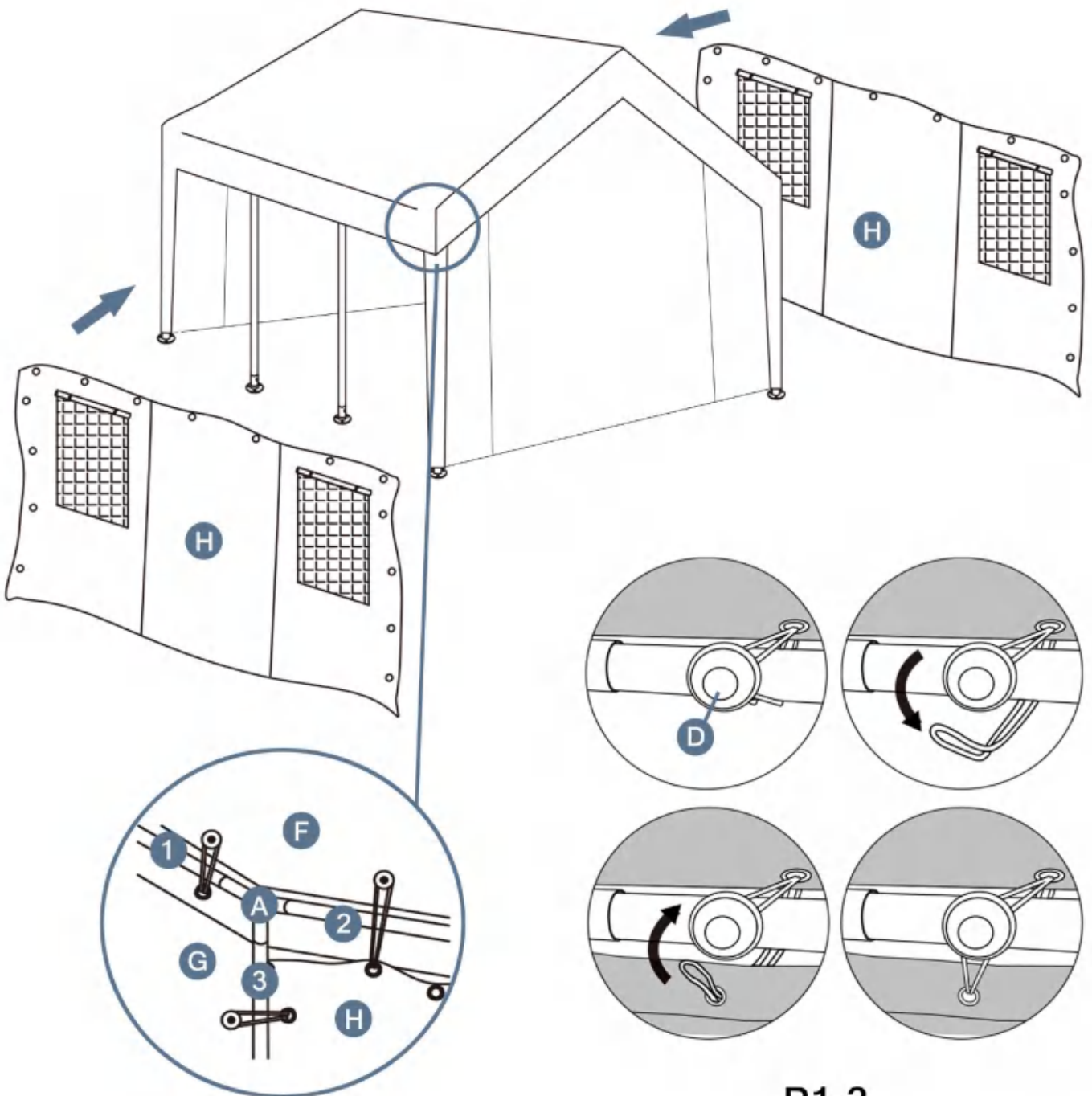


H 2pcs



D 52pcs

The installation method of D can refer to P1-3



P1-3

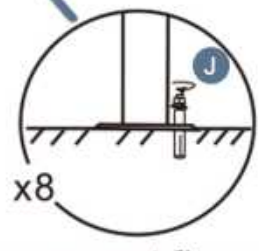
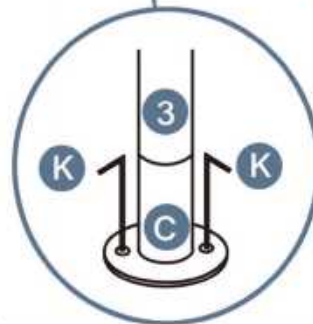
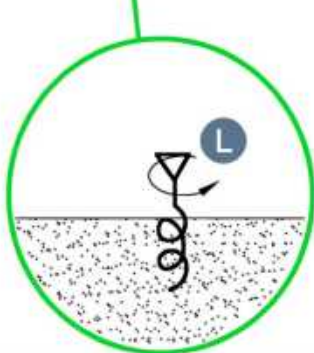
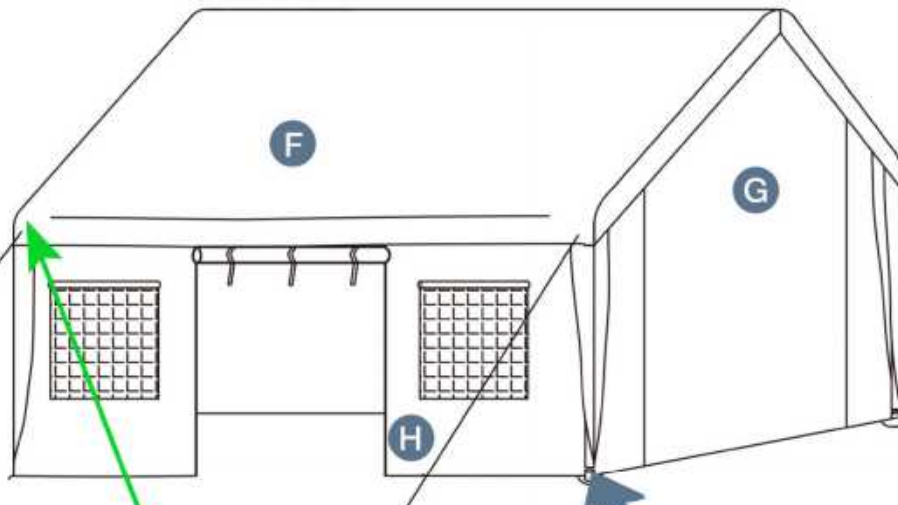
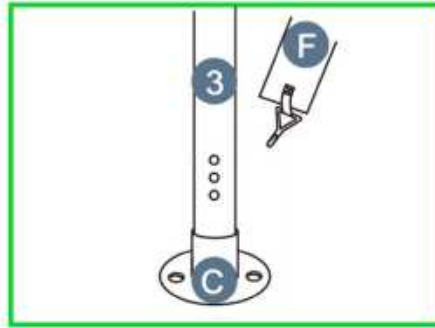
# STEP 7

Parts required

-  M 4pcs
-  L 4pcs
-  K 16pcs
-  J 8 pcs

1 → 2

Please choose the reinforcement method according to the environment in which it is used. However, no matter which one you choose, reinforcement is necessary so that your items can be more stable.



2