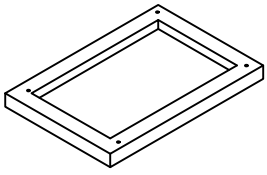


# ASSEMBLY INSTRUCTION

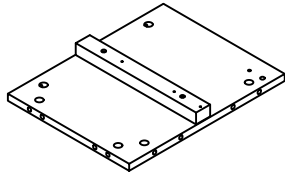
## BOOKCASE

**A** Top Frame



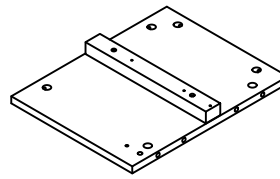
1pc

**B** Left Side Panel



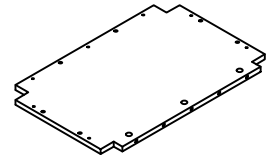
1pc

**C** Right Side Panel



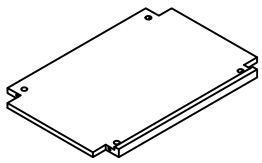
1pc

**D** Drawer Box Top Panel



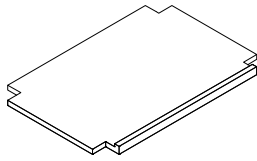
1pc

**E** Middle Shelf



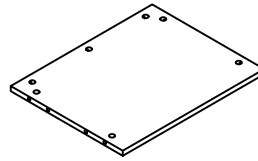
1pc

**F** Adjustable Shelf



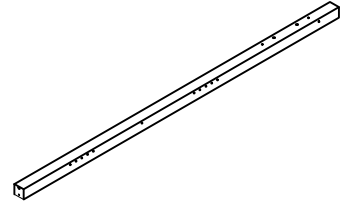
2pcs

**G** Back Panel



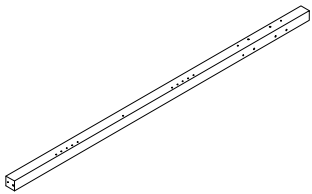
1pc

**H** Front Post - L



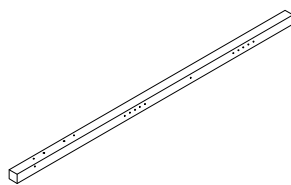
1pc

**I** Back Post - L



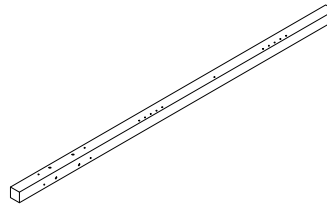
1pc

**J** Front Post - R



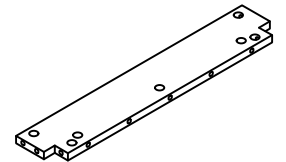
1pc

**K** Back Post - R



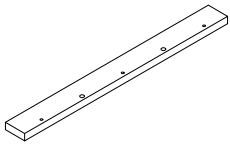
1pc

**L** Bottom Panel



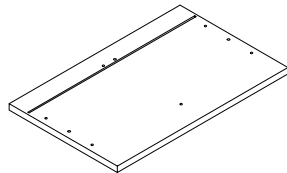
1pc

**M** Drawer Upper and Bottom Panel



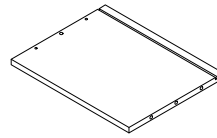
2pcs

**N** Drawer Front Panel



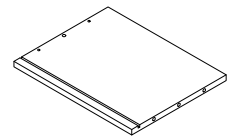
1pc

**O** Drawer Side panel - L



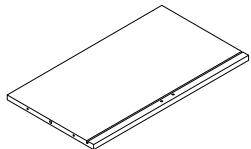
1pc

**P** Drawer Side Panel - R



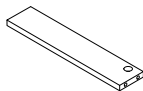
1pc

**Q** Drawer Back Panel



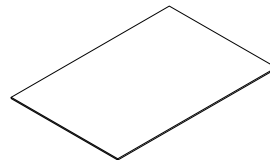
1pc

**R** Drawer Support Panel



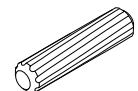
1pc

**S** Drawer Bottom Panel



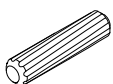
1pc

**T** Wood Dowel  
Ø8\*30mm



28pcs

**U** Wood Dowel  
Ø6\*30mm



5pcs

**V** Nut  
Ø15\*12mm



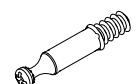
33pcs

**W** Nut  
Ø15\*9mm

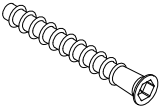
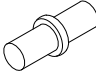
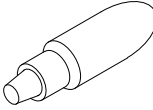
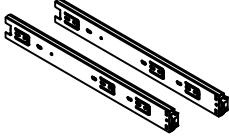





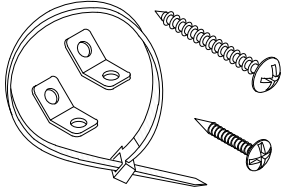



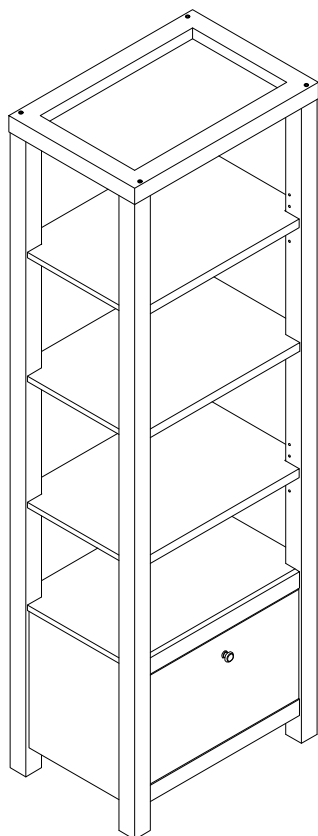
5pcs

**X** Bolt  
Ø5\*25mm



38pcs

<b>Y</b> Screw Ø6*50mm 	<b>Z</b> Shelf Pin Ø5*16mm 	<b>AA</b> Glue 	<b>AB</b> Slide Rail 
4pcs	8pcs	1pc	1set
<b>AC</b> Screw Ø3.5*12mm 	<b>AD</b> Knob 	<b>AE</b> Bolt Ø4*22mm 	<b>AF</b> Screw Ø4*30mm 
12pcs	1pc	1pc	6pcs
<b>AG</b> Allen Key M4 	<b>AH</b> Anti-Tipping Kit 	<b>AI</b> Screwdriver (Not Provided) 	
1pc	2 sets	1pc	

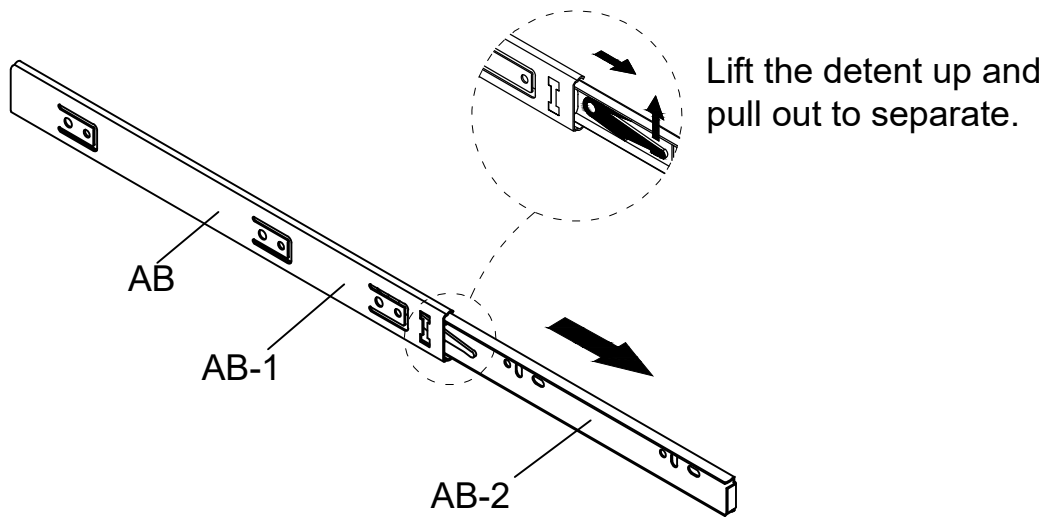


This first page and second page list all the contents included in the box. Please take the time to identify the hardware as well as the individual components to this product. As you unpack and prepare for assembly, place the contents on a carpeted or padded area to protect them from damage.

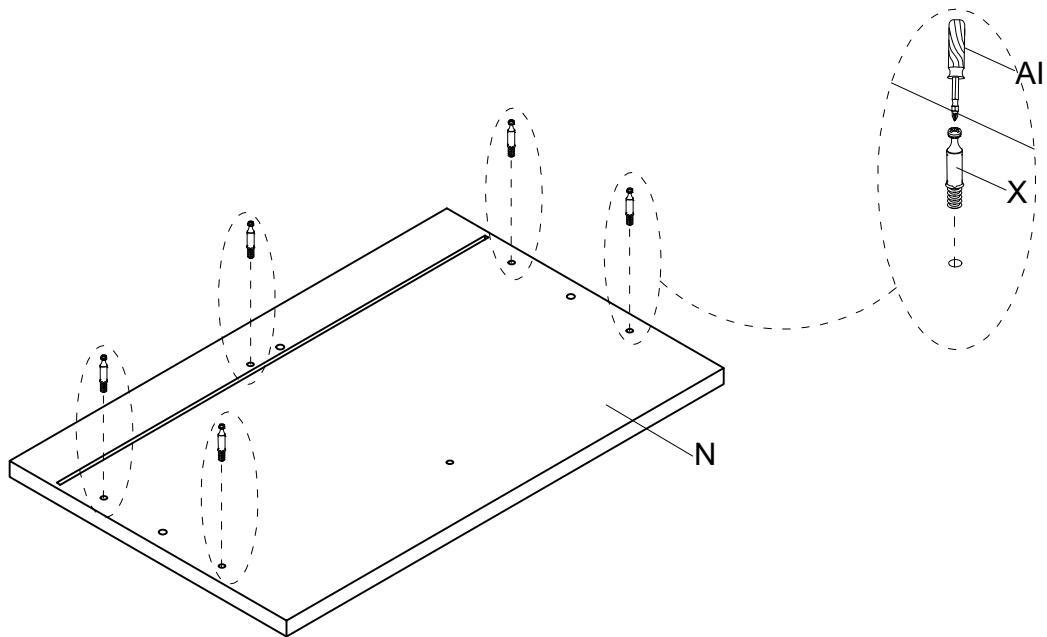
**ASSEMBLY**

Do not fully tighten all bolts until assembly is complete. This will help all parts to assemble properly.

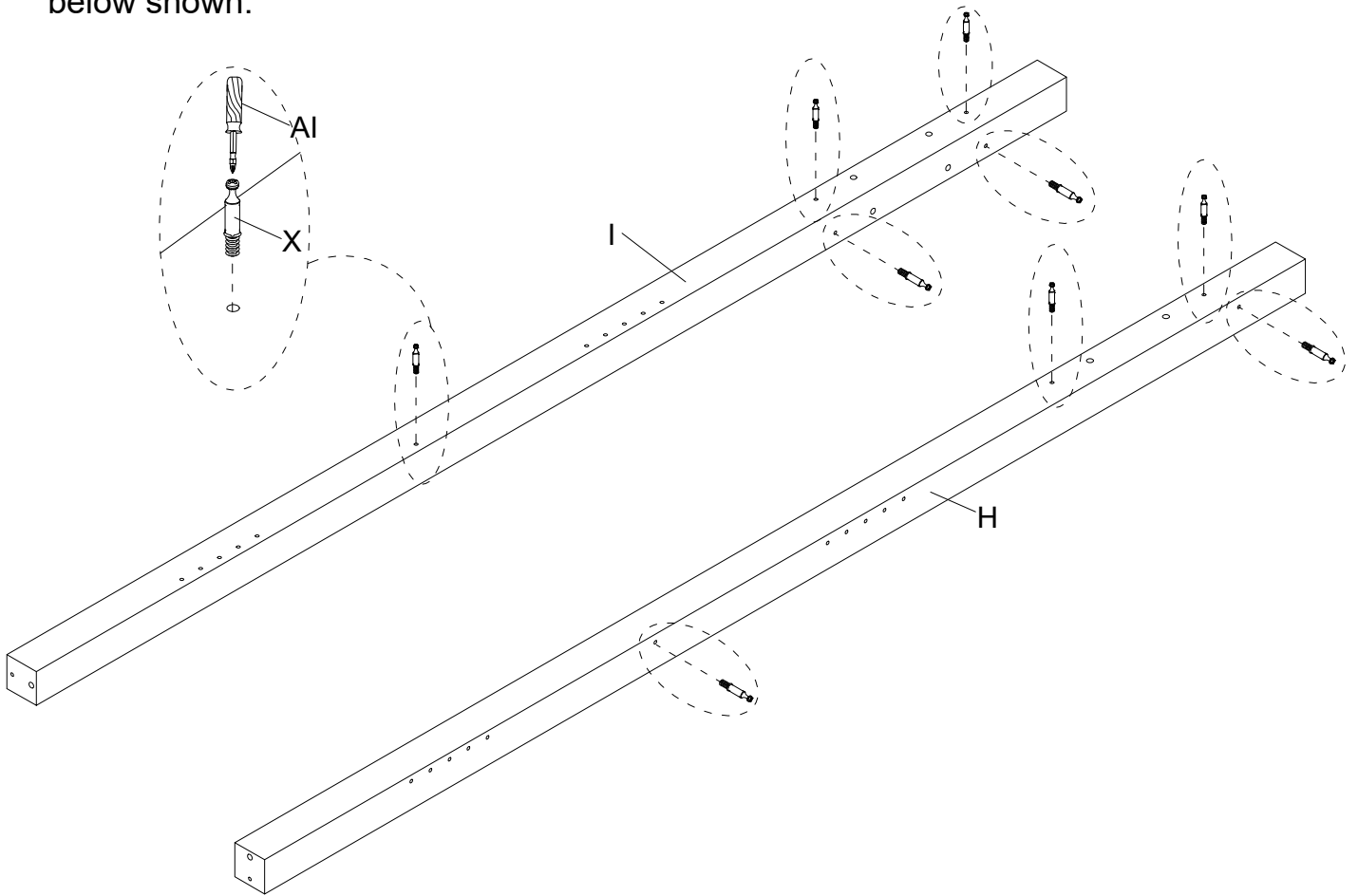
- 
- 1** Pull out Slide Rail (AB) fully extended, a hold-in detent can be seen or touched on slide runners.



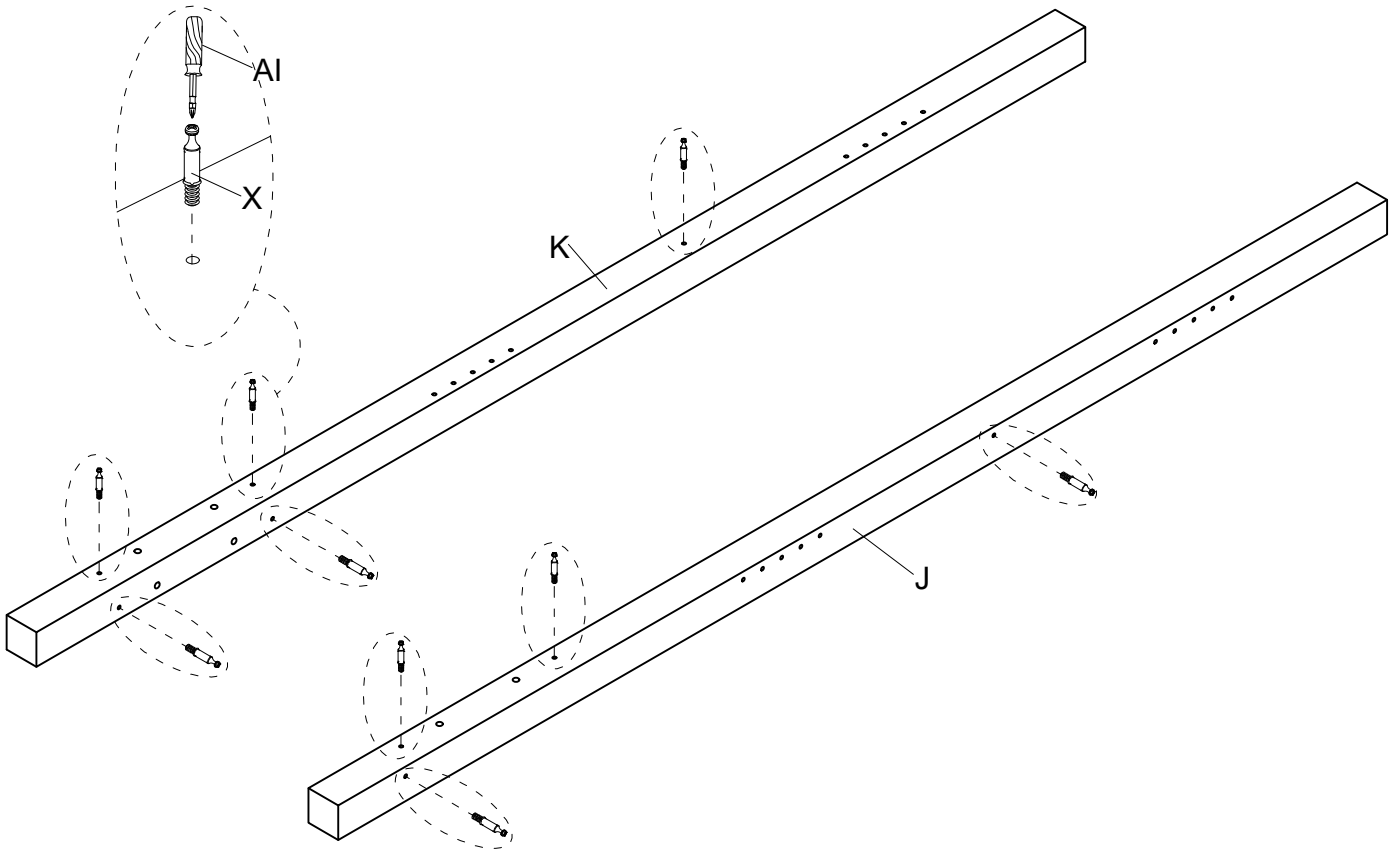
- 
- 2** Insert Bolt (X) into Drawer Front Panel (N) by Screwdriver (AI) as below shown.



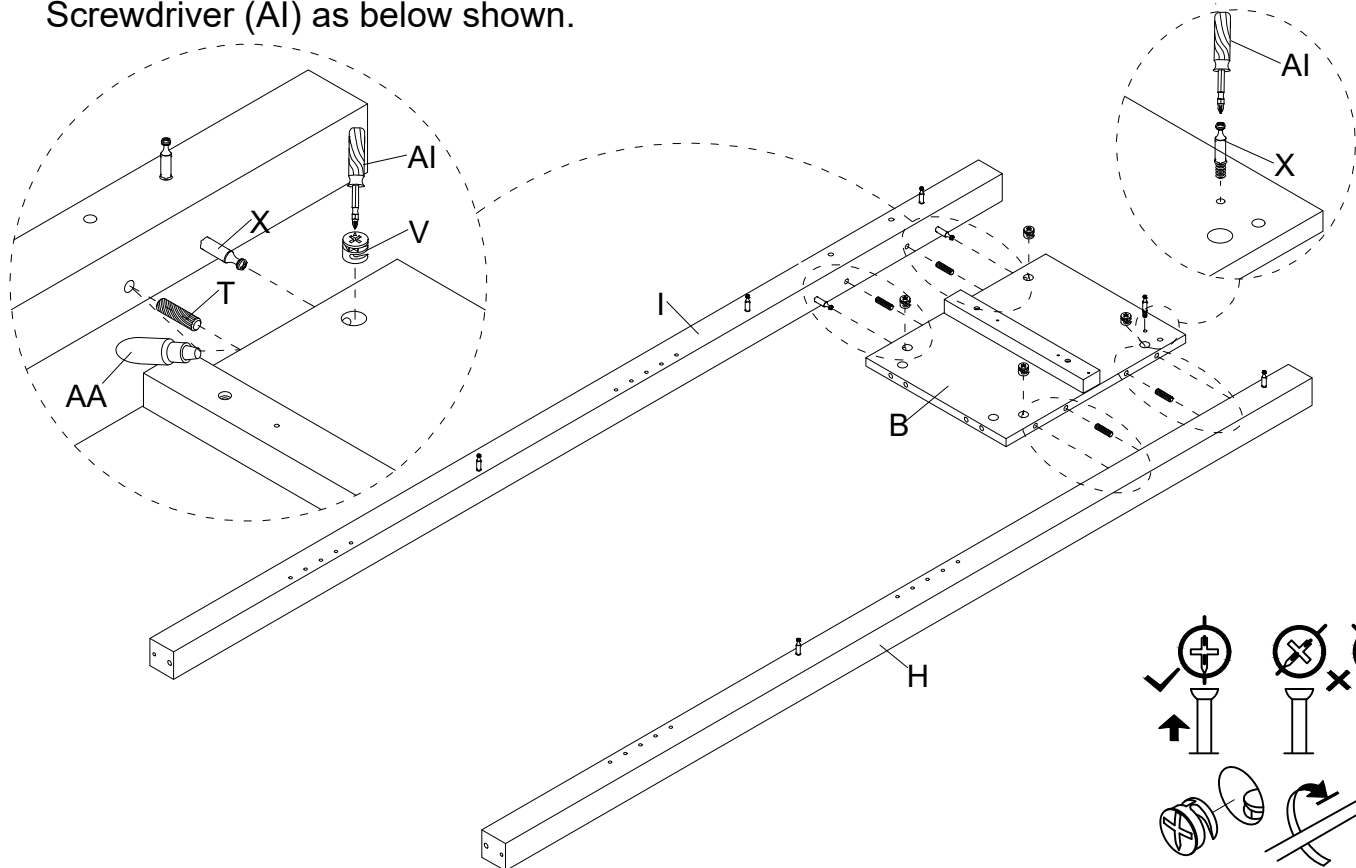
**3** Insert Bolt (X) to Front Post - L (H) and Back Post - L (I) by Screwdriver (AI) as below shown.



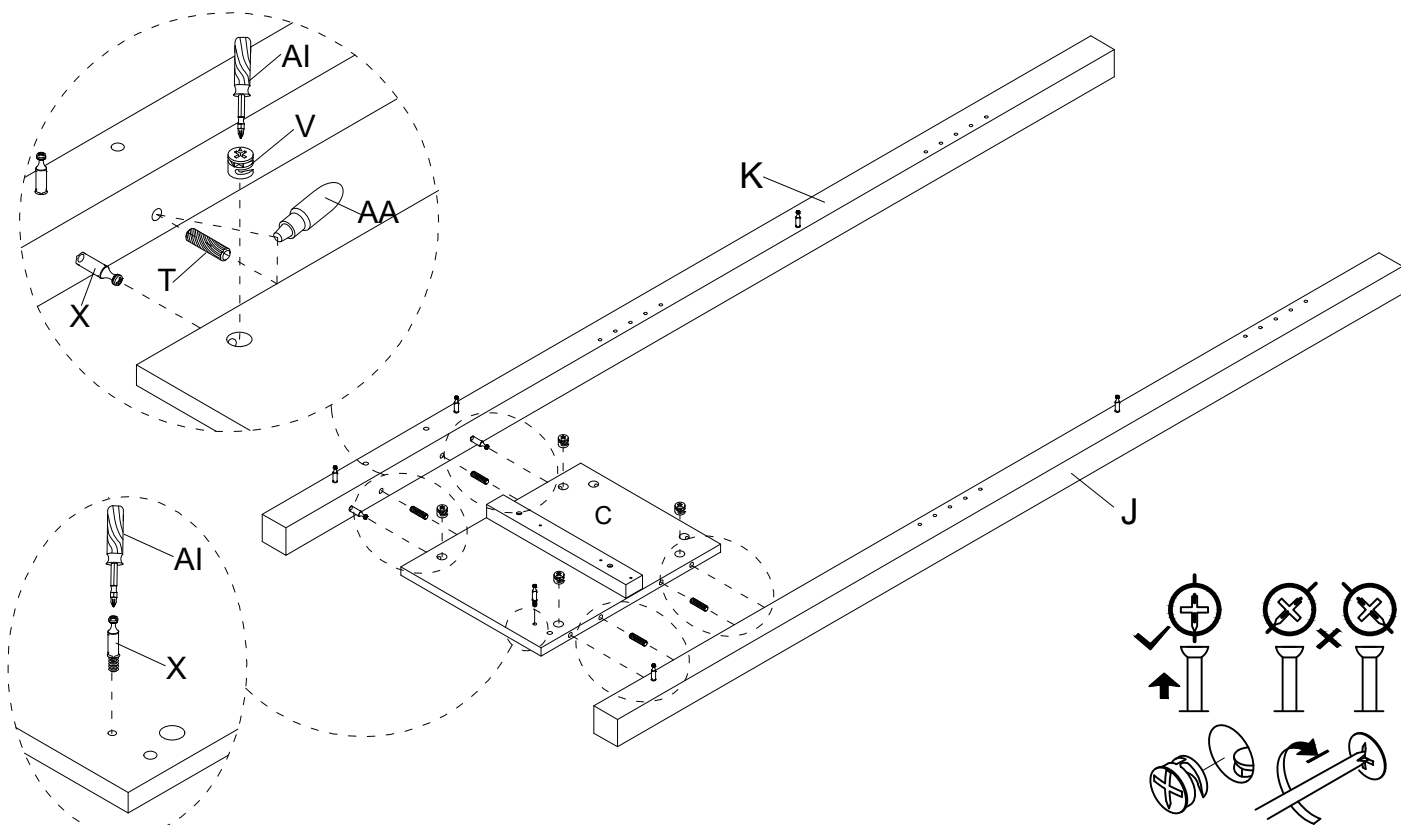
**4** Insert Bolt (X) to Front Post - R (J) and Back Post - R (K) by Screwdriver (AI) as below shown.



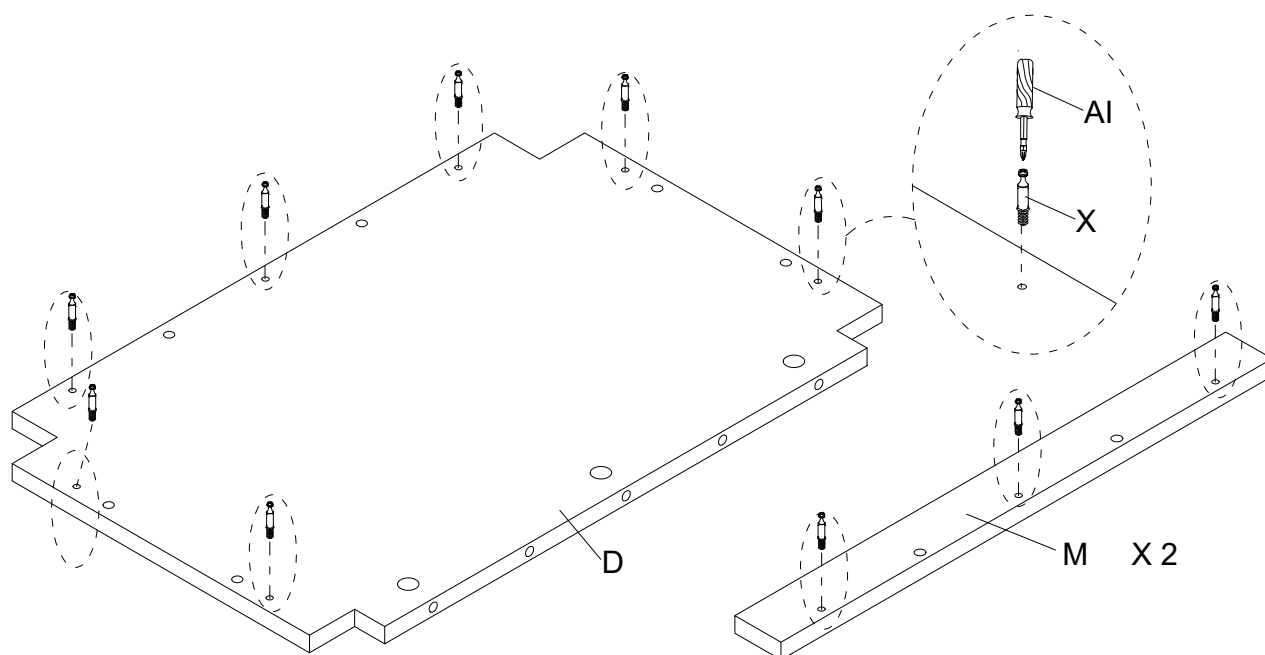
**5** First, assemble Left Side Panel (B) to Front Post - L (H) and Back Post - L (I) using Glue (AA) & Wood Dowel (T). Second, assemble Nut (V) to Left Side Panel (B) to fasten by Screwdriver (AI). Third, assemble Bolt (X) to Left Side Panel (B) by Screwdriver (AI) as below shown.



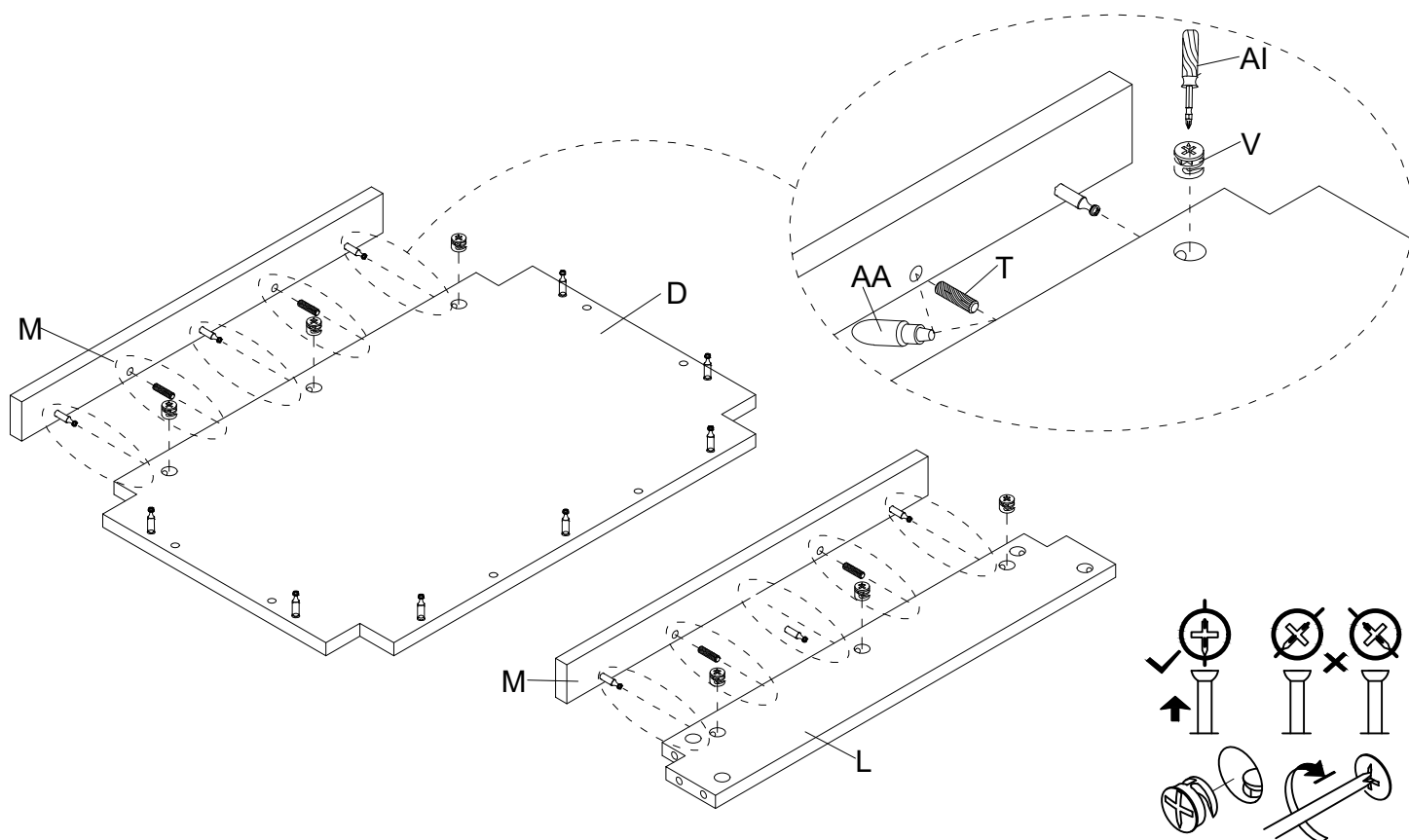
**6** First, assemble Right Side Panel (C) to Front Post - R (J) and Back Post - R (K) by Glue (AA) & Wood Dowel (T). Second, assemble Nut (V) to Right Side Panel (C) to fasten by Screwdriver (AI). Third, assemble Bolt (X) to Right Side Panel (C) by Screwdriver (AI) as below shown.



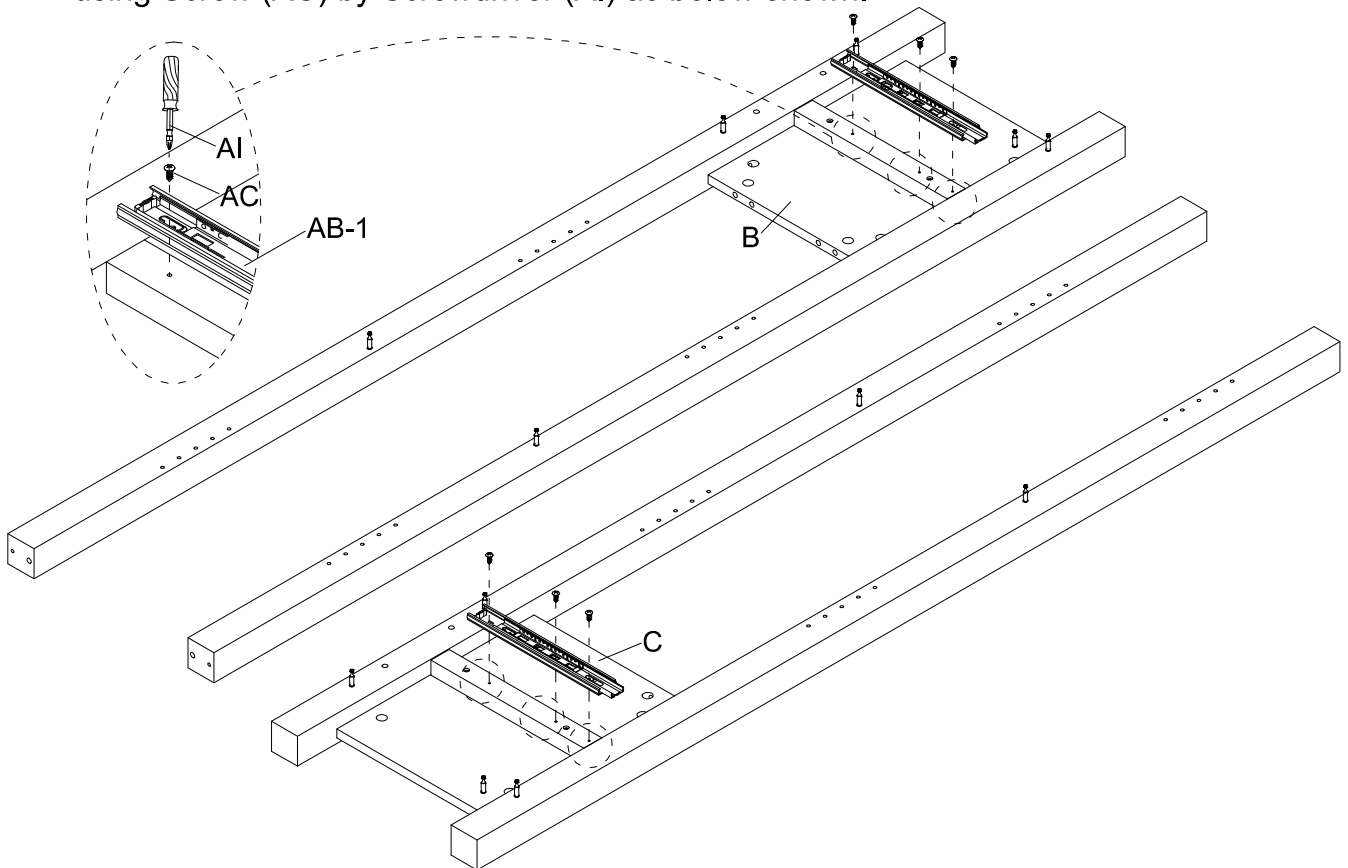
**7** Insert Bolt (X) into Drawer Box Top Panel (D) & Drawer Upper and Bottom Panel (M) to fasten by Screwdriver (AI) as below shown.



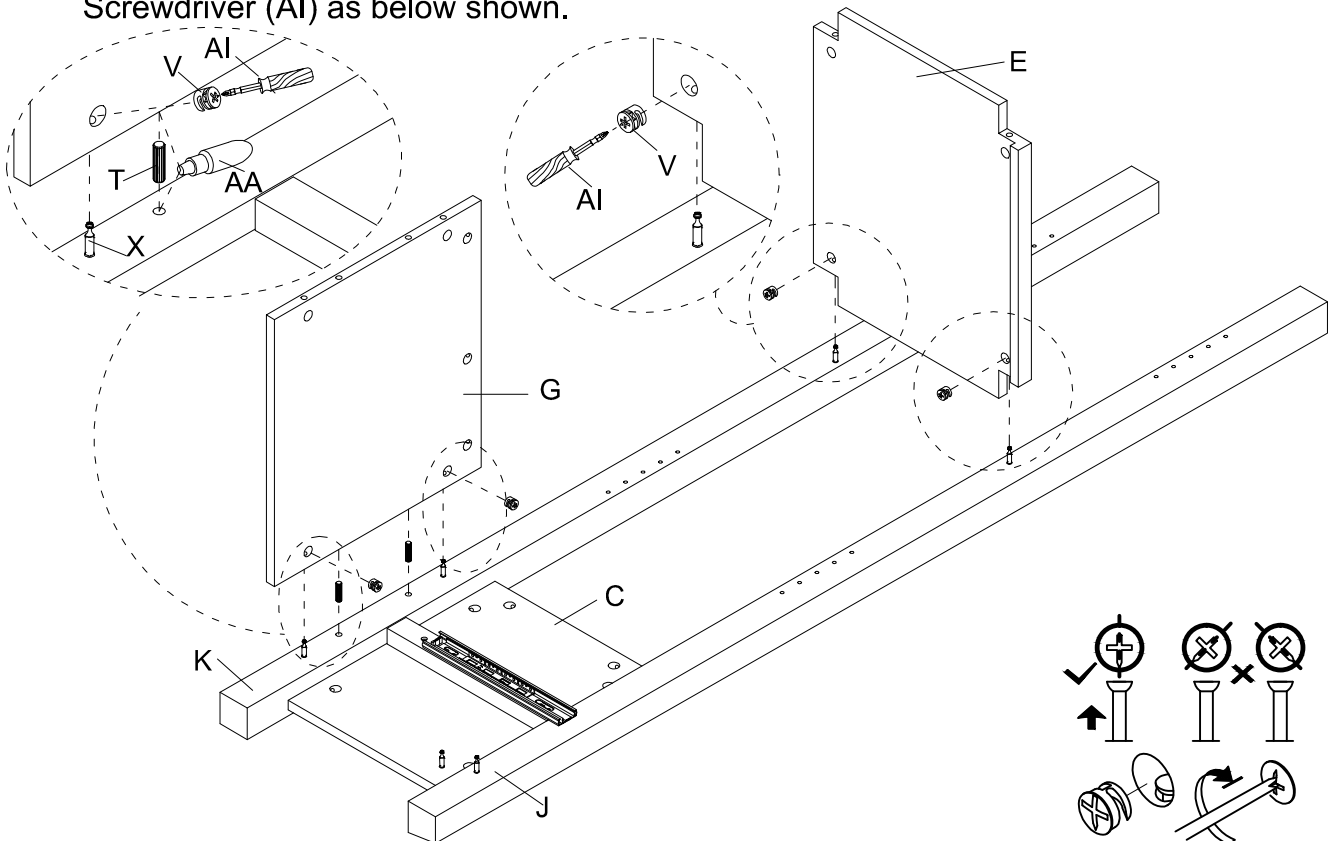
**8** First, assemble Drawer Upper and Bottom Panel (M) to Drawer Box Top Panel (D) and Bottom Panel (L) by Glue (AA) & Wood Dowel (T). Second, assemble Nut (V) to Drawer Box Top Panel (D) and Bottom Panel (L) to fasten by Screwdriver (AI) as below shown.



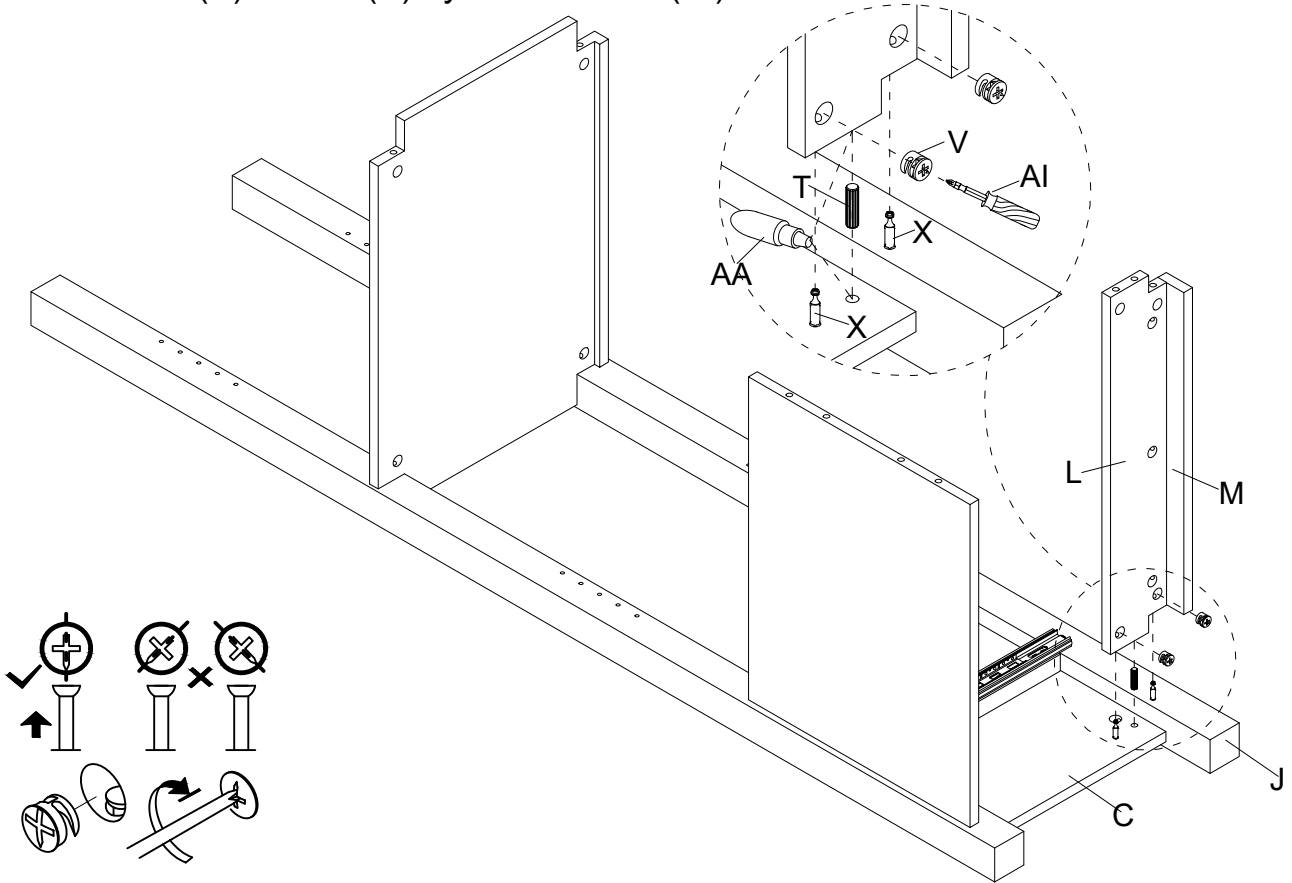
**9** Assemble part one of Slide Rail (AB-1) to Left Side Panel (B) and Right Side Panel (C), using Screw (AC) by Screwdriver (AI) as below shown.



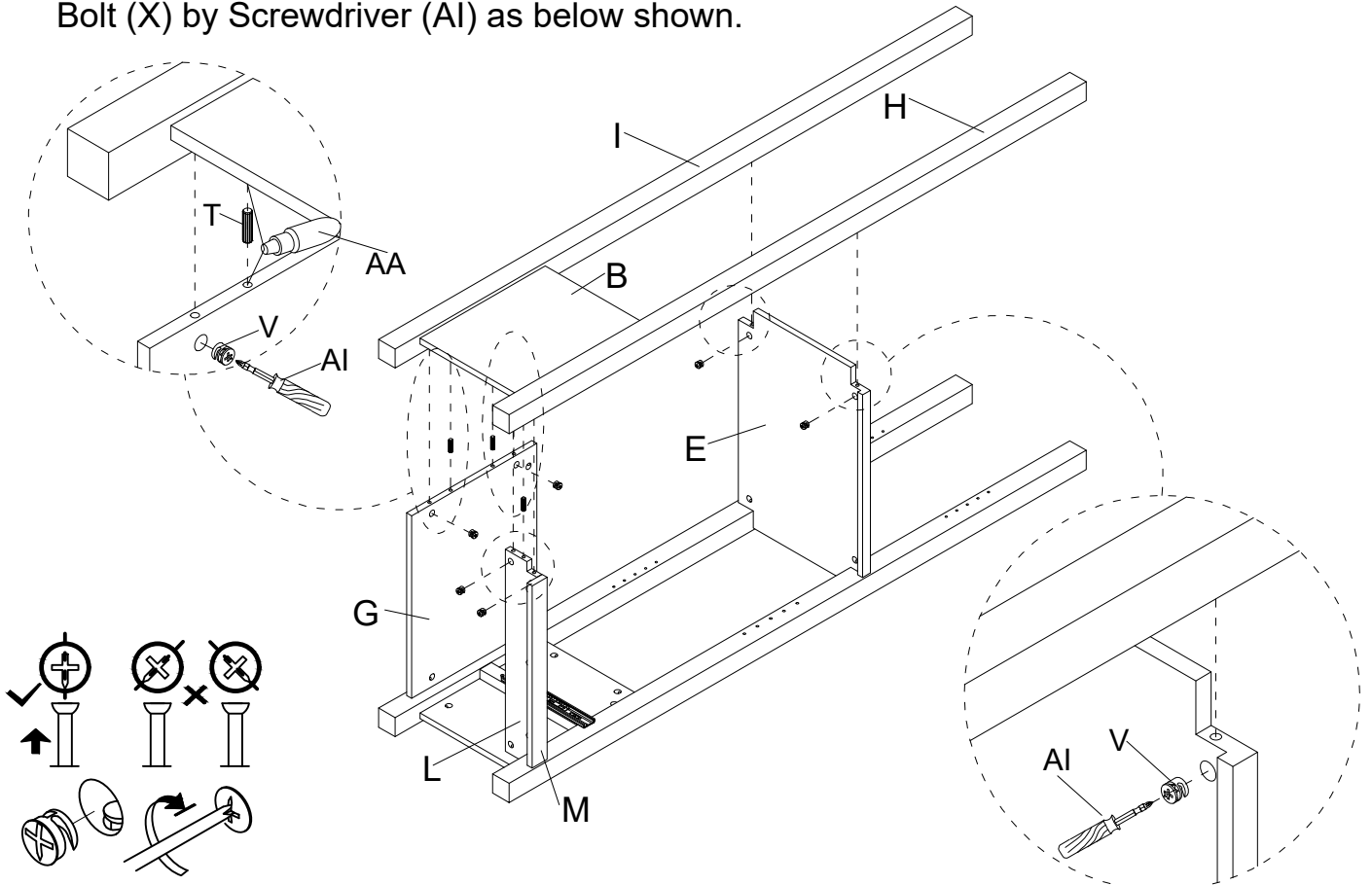
**10** Assemble Back Panel (G) and Middle Shelf (E) to pre-assembled Front Post - R (J) and Back Post - R (K), using Glue (AA) & Wood (T) first, then attach Nut (V) to Bolt (X) by Screwdriver (AI) as below shown.



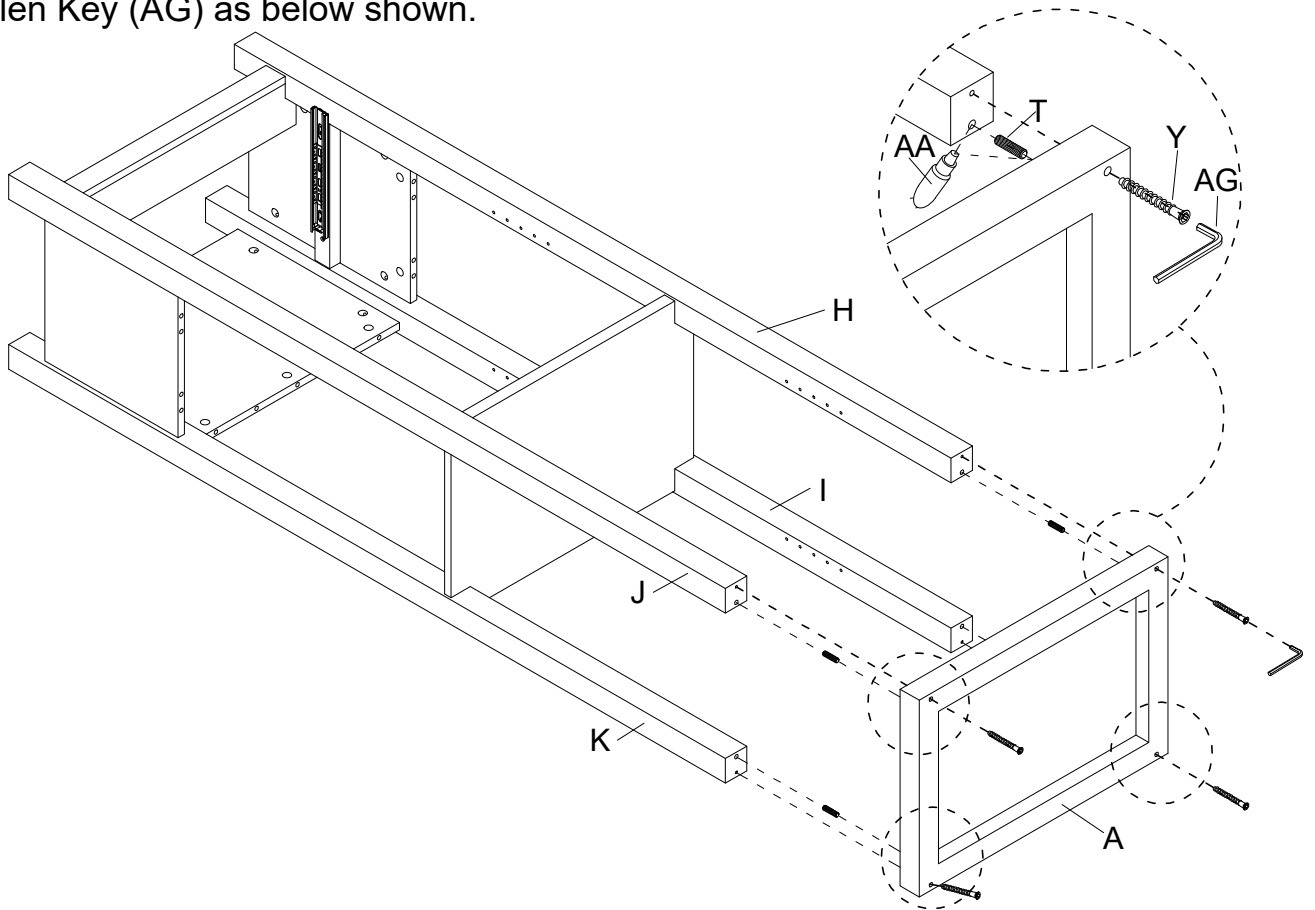
- 11** Assemble pre-assembled Bottom Panel (L) & Drawer Upper and Bottom Panel (M) to Front Post - R (J) and Right Side Panel (C), using Glue(AA) & Wood (T) first, then attach Nut (V) to Bolt (X) by Screwdriver (AI) as below shown.



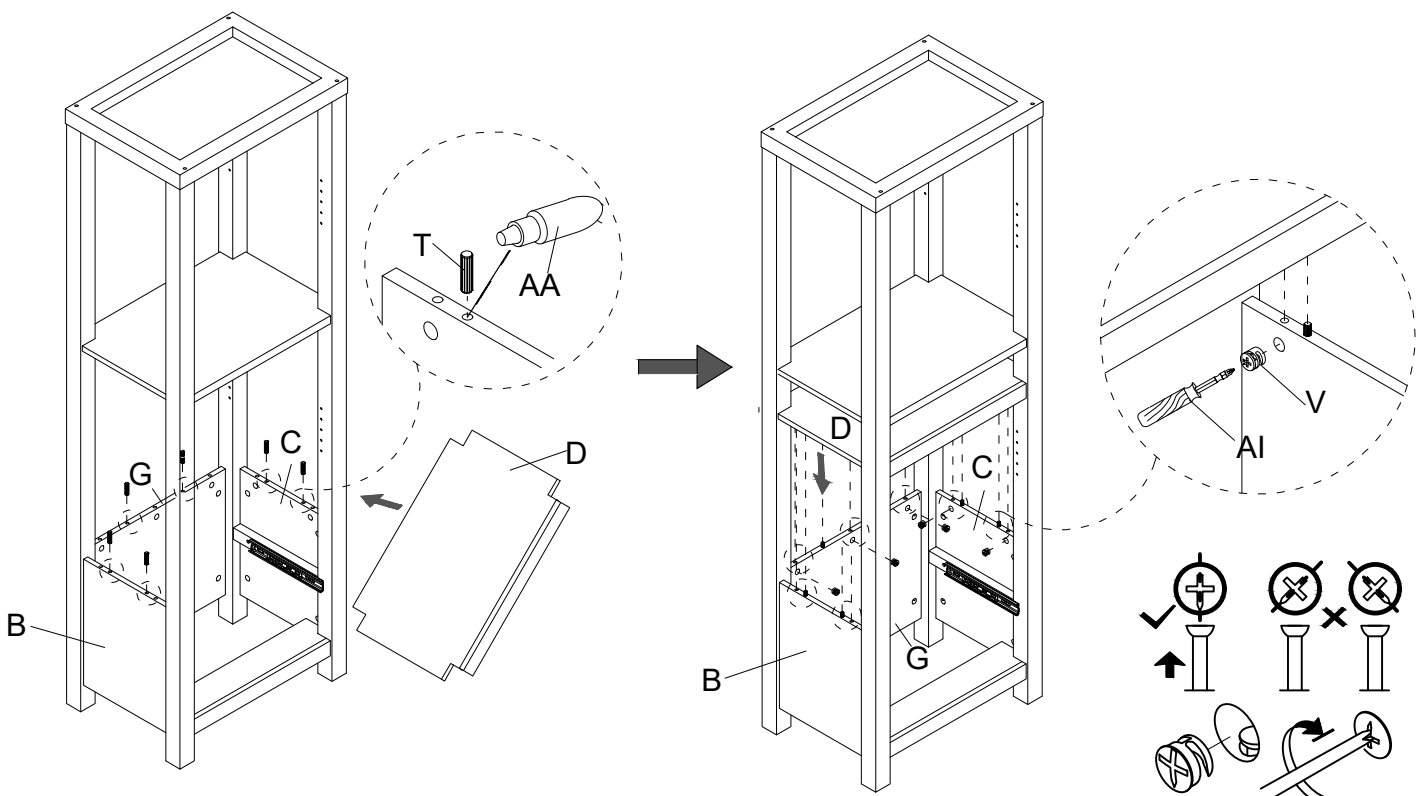
- 12** Assemble Front Post - L (H) & Back Post - L (I) and Left Side Panel (B) to pre-assembled Middle Shelf (E), Back Panel (G), Bottom Panel (L) & Drawer Upper and Bottom Panel (M), using Glue (AA) & Wood Dowel (T) first, then attach Nut (V) to Bolt (X) by Screwdriver (AI) as below shown.



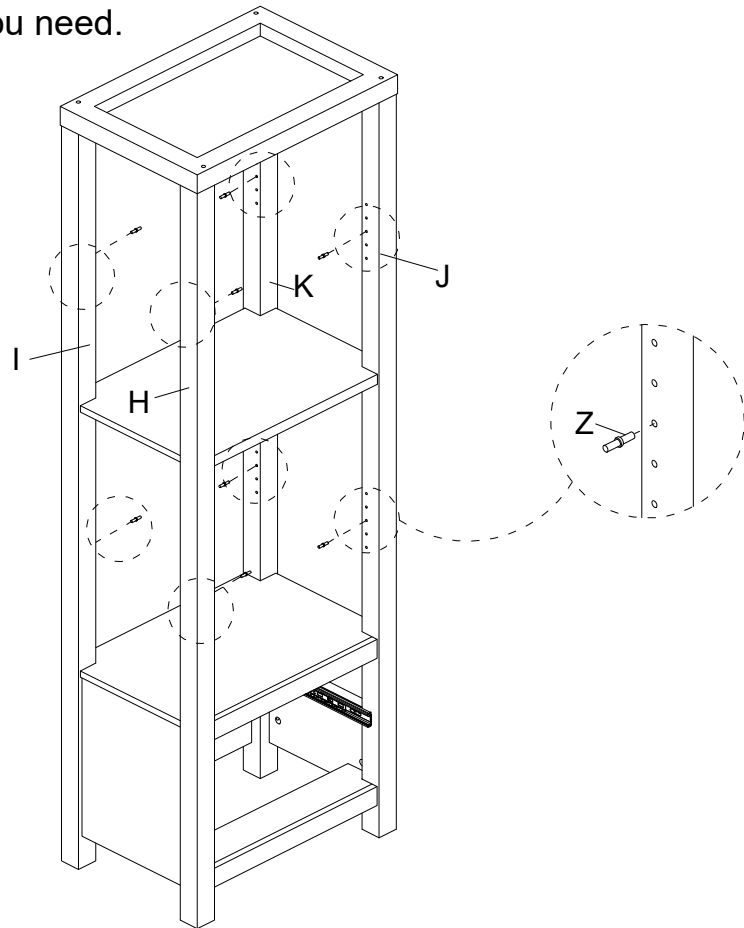
**13** Assemble Top Frame (A) to pre-assembled Front Post - L (H), Back Post - L (I), Front Post - R (J) and Back Post - R (K), using Wood Dowel (T), Glue (AA) and Screw (Y) by Allen Key (AG) as below shown.



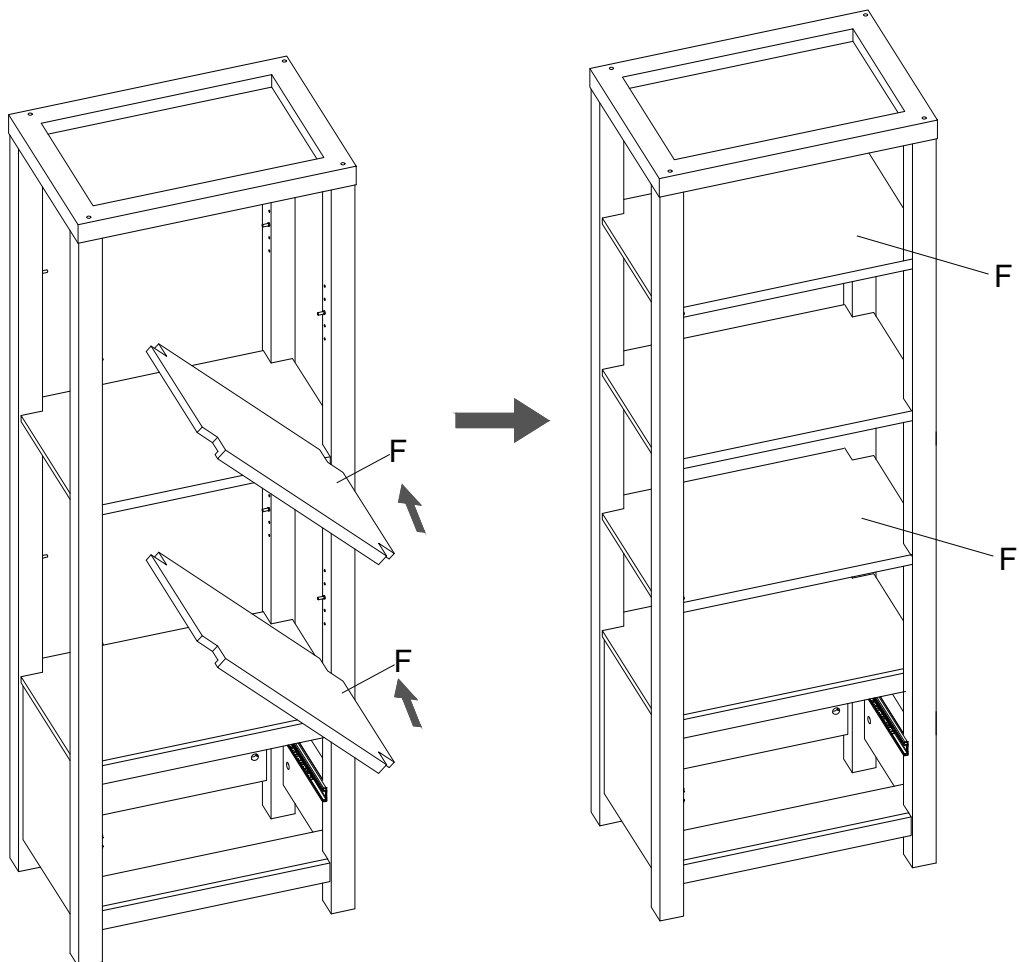
**14** Insert Wood Dowel (T) to Left Side Panel (B), Right Side Panel (C) and Back Panel (G) with Glue (AA), then put Drawer Box Top Panel (D) slanted to the top of Left Side Panel (B), Right Side Panel (C) and Back Panel (G), using Nut (V) by Screwdriver (AI) to lock as below shown.



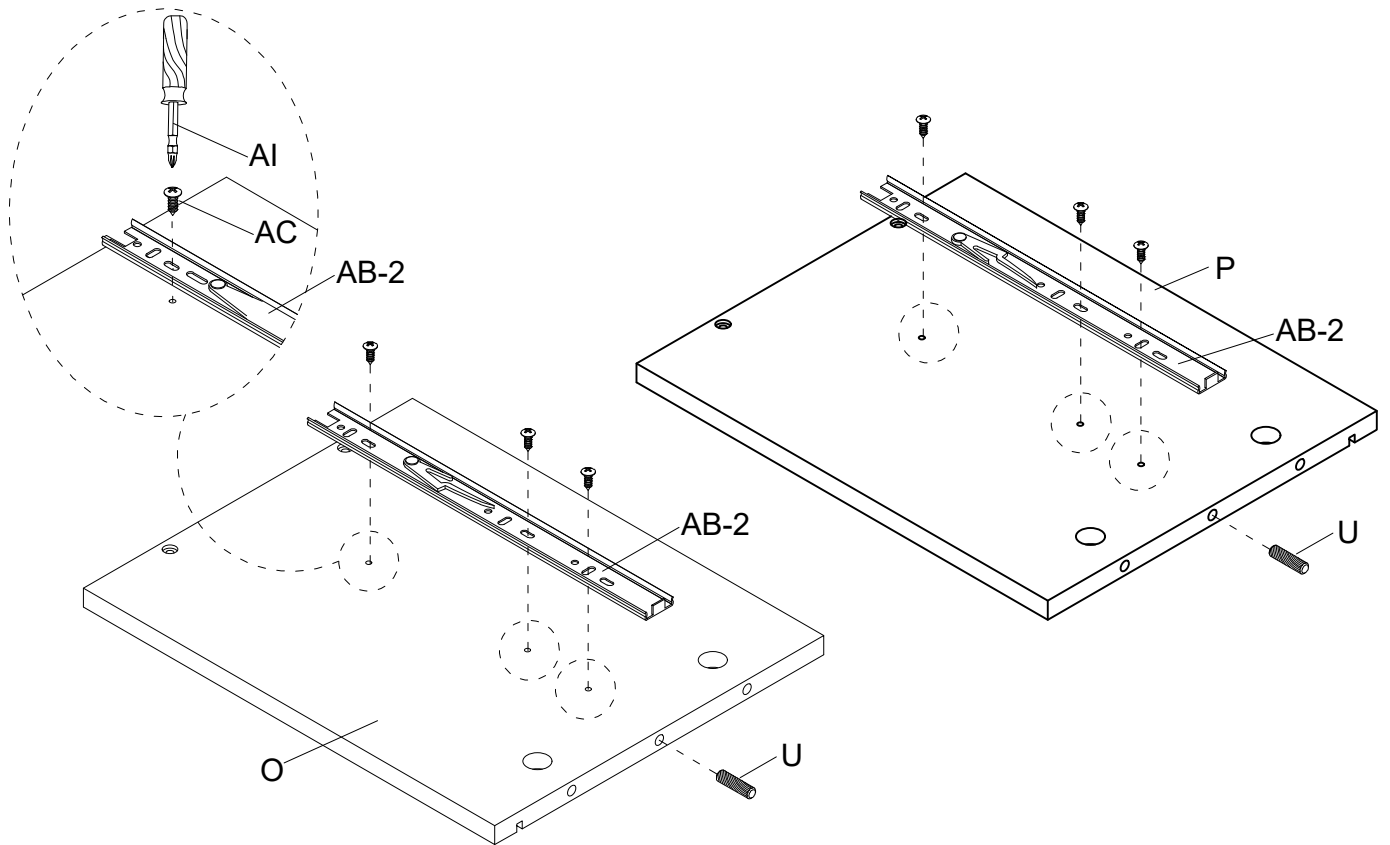
**15** Insert Shelf Pin (Z) to pre-assembled Front Post - L (H), Back Post - L (I), Front Post - R (J) and Back Post - R (K) as below shown. The Shelf Pin (Z) is adjustable, you can assemble them to the level you need.



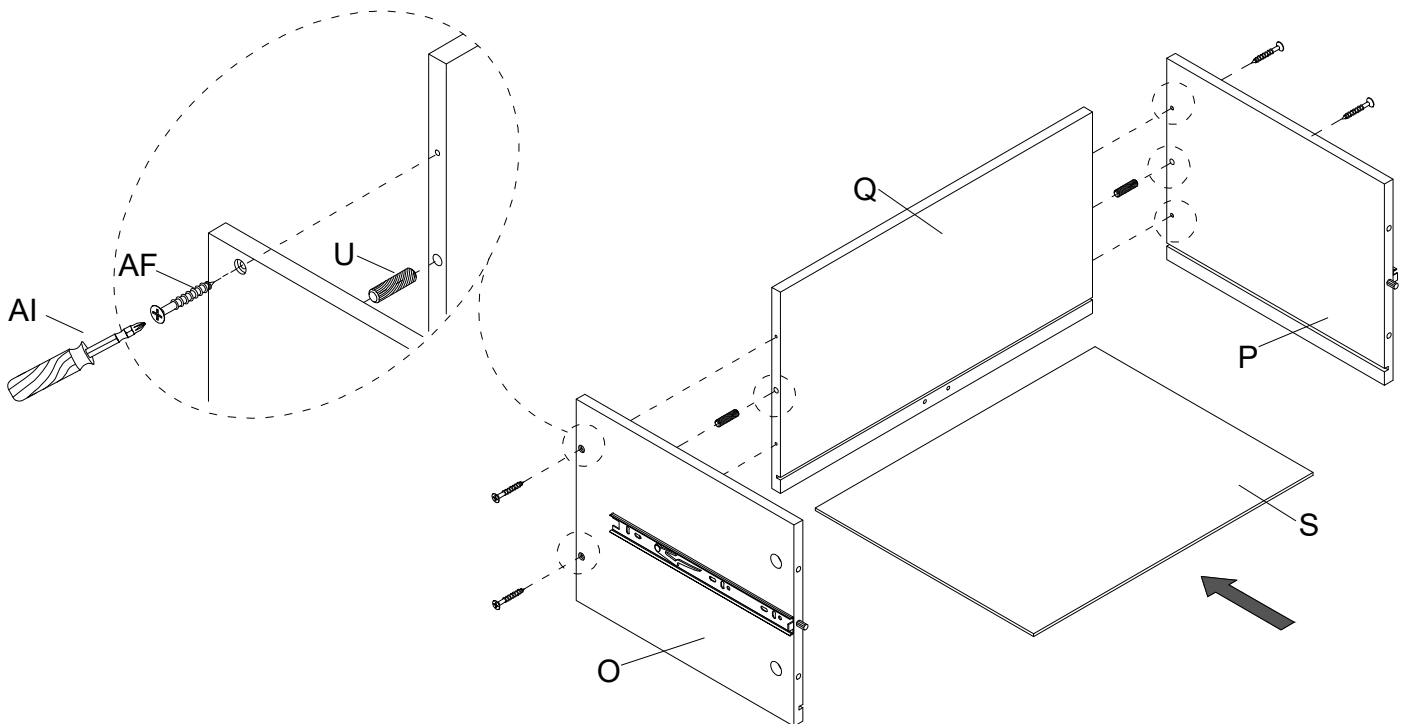
**16** Put Adjustable Shelf (F) onto Shelf Pin (Z) as below shown.



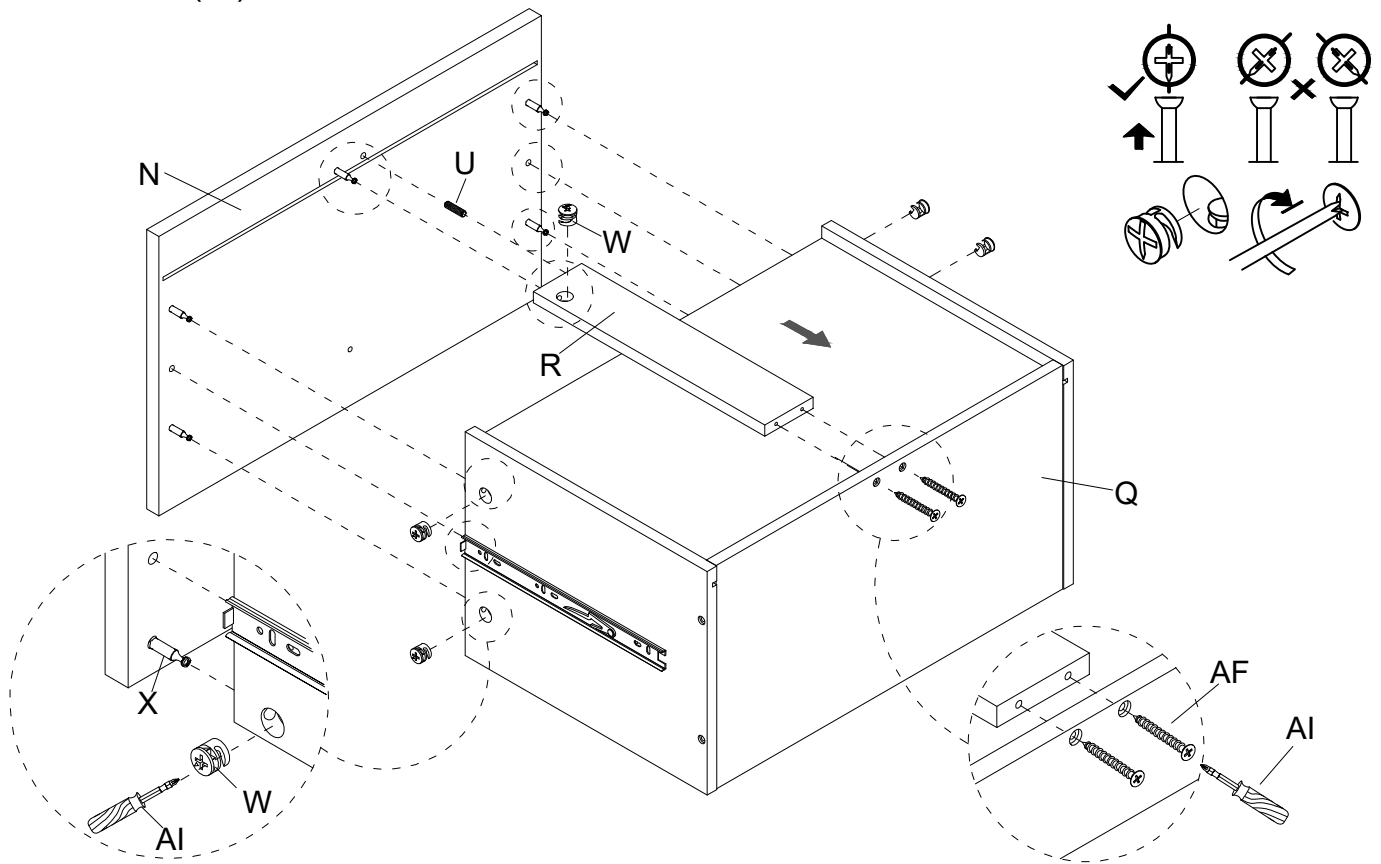
- 17** Assemble part 2 of Slide Rail (AB-2) to Drawer Side Panel - L (O) and Drawer Side Panel - R (P), using Screw (AC) to tighten by Screwdriver (AI). Insert Wood Dowel (U) to Drawer Side Panel - L (O) & Drawer Side Panel - R (P) as below shown.



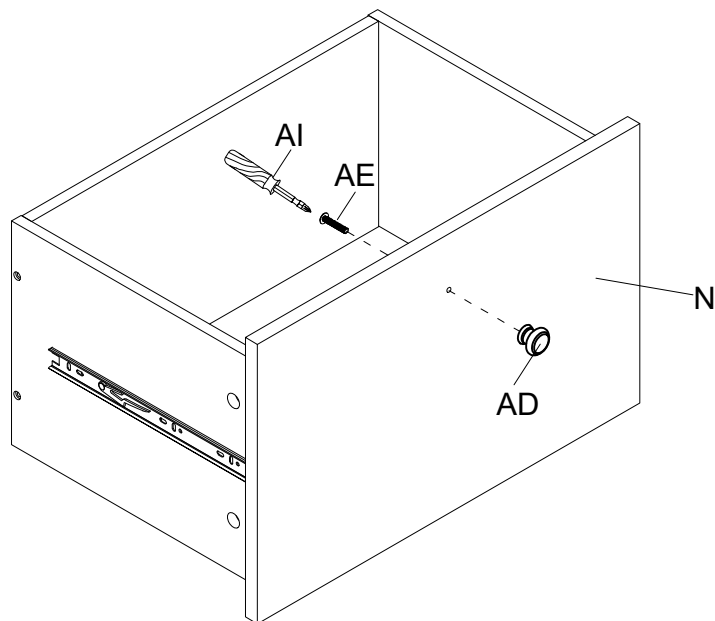
- 18** Insert Wood Dowel (U) to Drawer Back Panel (Q) first, then insert Drawer Bottom Panel (S) into Drawer Side Panel - L (O), Drawer Side Panel - R (P) and Drawer Back Panel (Q), last using Screw (AF) by Screwdriver (AI) to assemble Drawer Side Panel - L (O), Drawer Side Panel - R (P) with Drawer Back Panel (Q) as below shown.



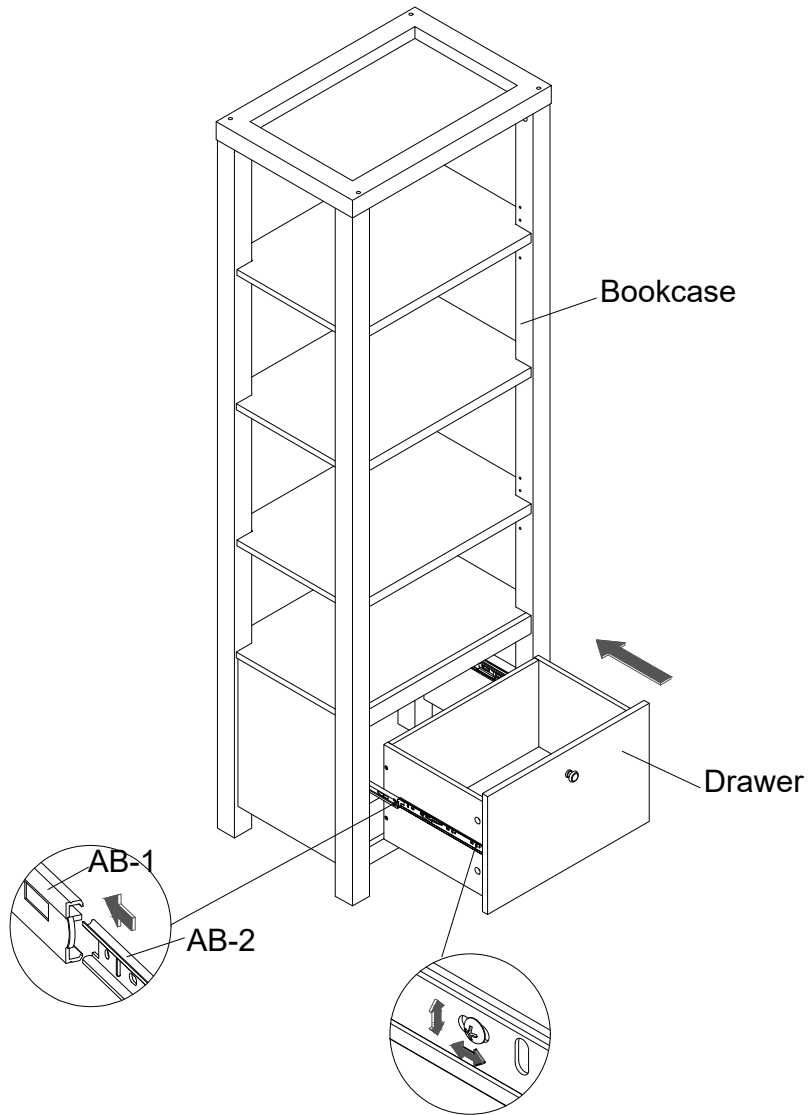
**19** Insert Wood Dowel (U) to Drawer Support Panel (R) first, assemble Drawer Front Panel (N) to pre-assembled drawer box using Nut (W) to Bolt (X) by Screwdriver (AI), assemble Drawer Back Panel (Q) to Drawer Support Panel (R) using Screw (AF) by Screwdriver (AI) as below shown.



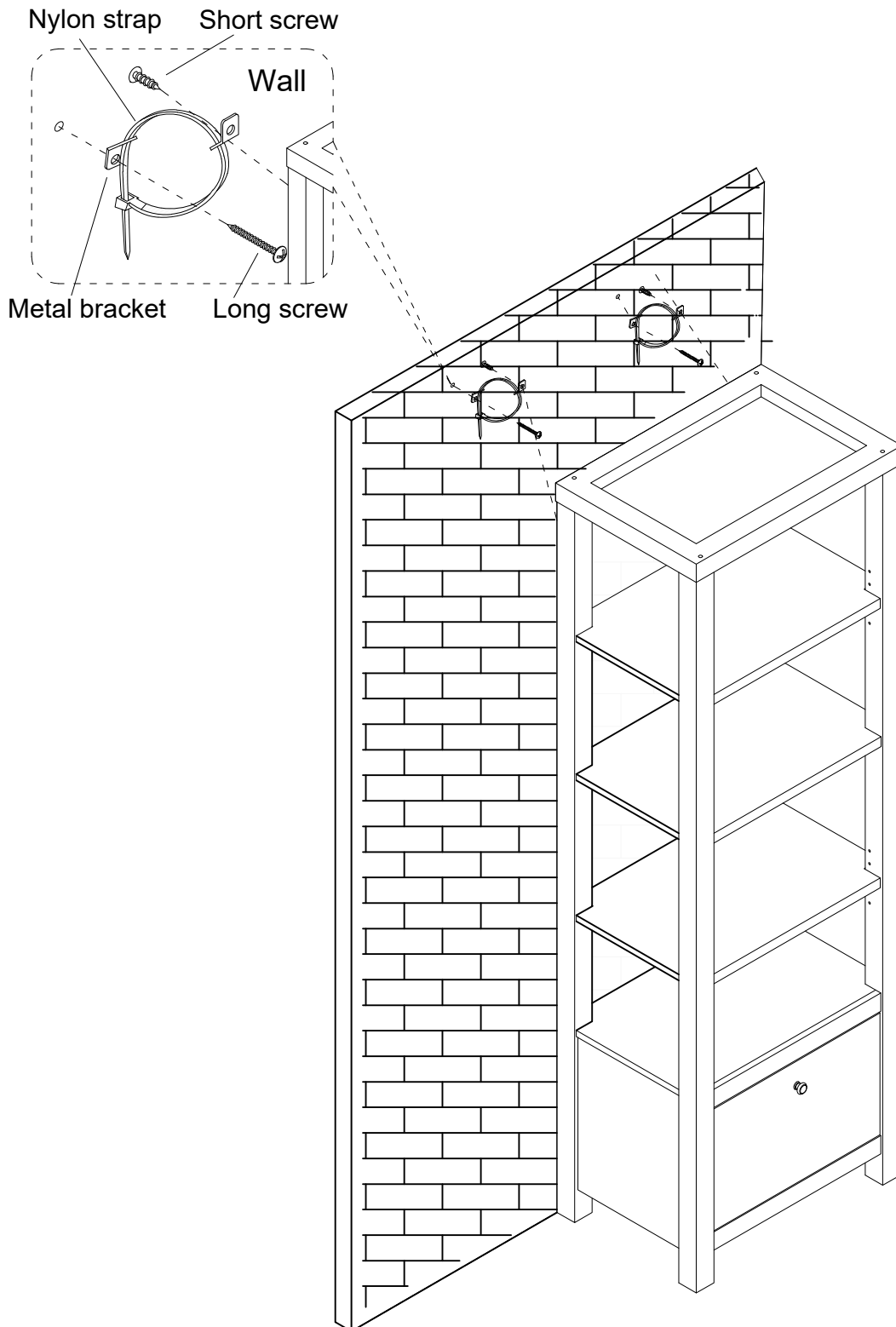
**20** Attach Knob (AD) to Drawer Front Panel (N), using Bolt (AE) by Screwdriver (AI) as below shown.



**21** Attach the pre-assembled drawer by using Slide Rail (AB) to the pre-assembled Bookcase. Move slide ball spacers to front. Hold drawer horizontally, and slide runners into ball spacers.



**22** Remark: there is an Anti-Tipping Kit (AH) provided on the back of this product. Please read the instruction throughly and install immediately when placed in home. To prevent tip over, the product must be attached to wall.



### Cleaning & Care

Treat surface with care. Surface is resistant to scratches but is not scratch resistant. Clean surfaces with a dry or damp soft cloth. Do not use abrasive cleaners. Hardware may loosen over time. Periodically check that all connections are tight.