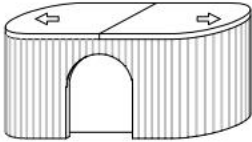
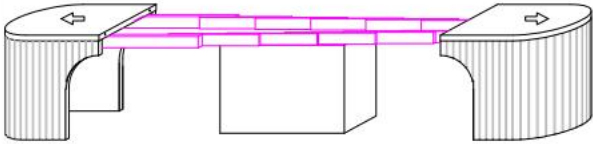
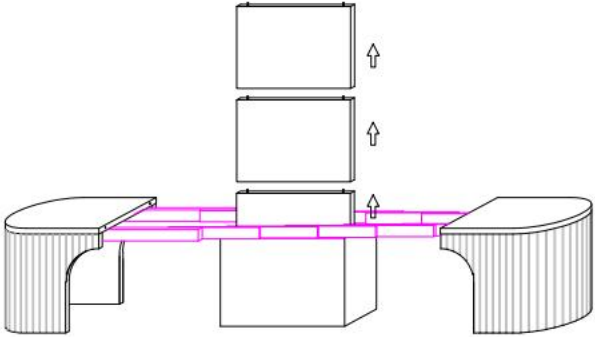
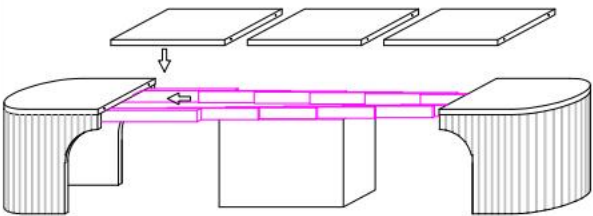
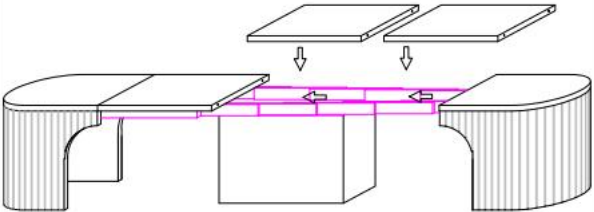
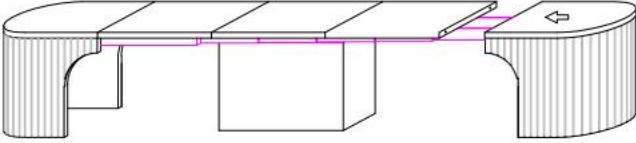
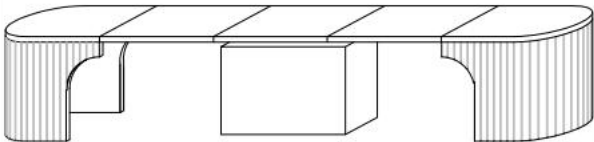
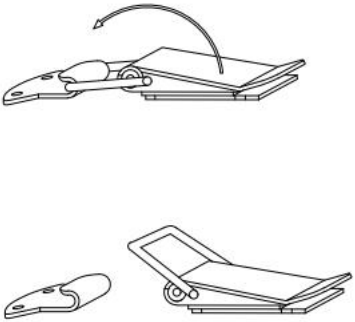


ASSEMBLY INSTRUCTIONS Before assembling, read all the instruction		Components:
<p>Step 1.</p> 	<p>Step 2.</p> 	1
<p>Step 3.</p> 	<p>Step 4.</p> 	2
		3
		4
		Page 1 of 2

ASSEMBLY INSTRUCTIONS Before assembling, read all the instruction		Components:
<p>Step 5.</p> 	<p>Step 6.</p> 	1
		2
<p>Step 7.</p> 	<p>Step 8.</p> 	3
		4
		Page 2 of 2