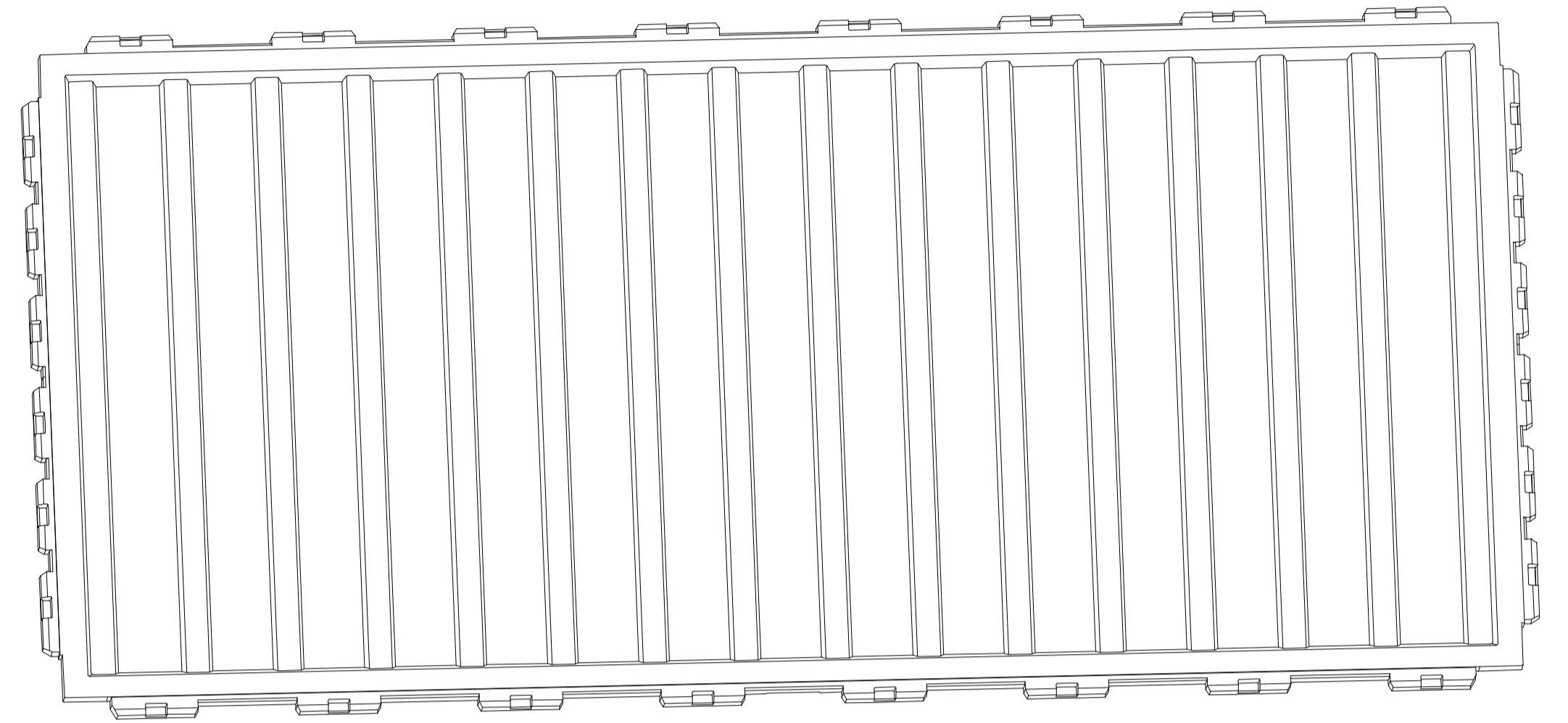
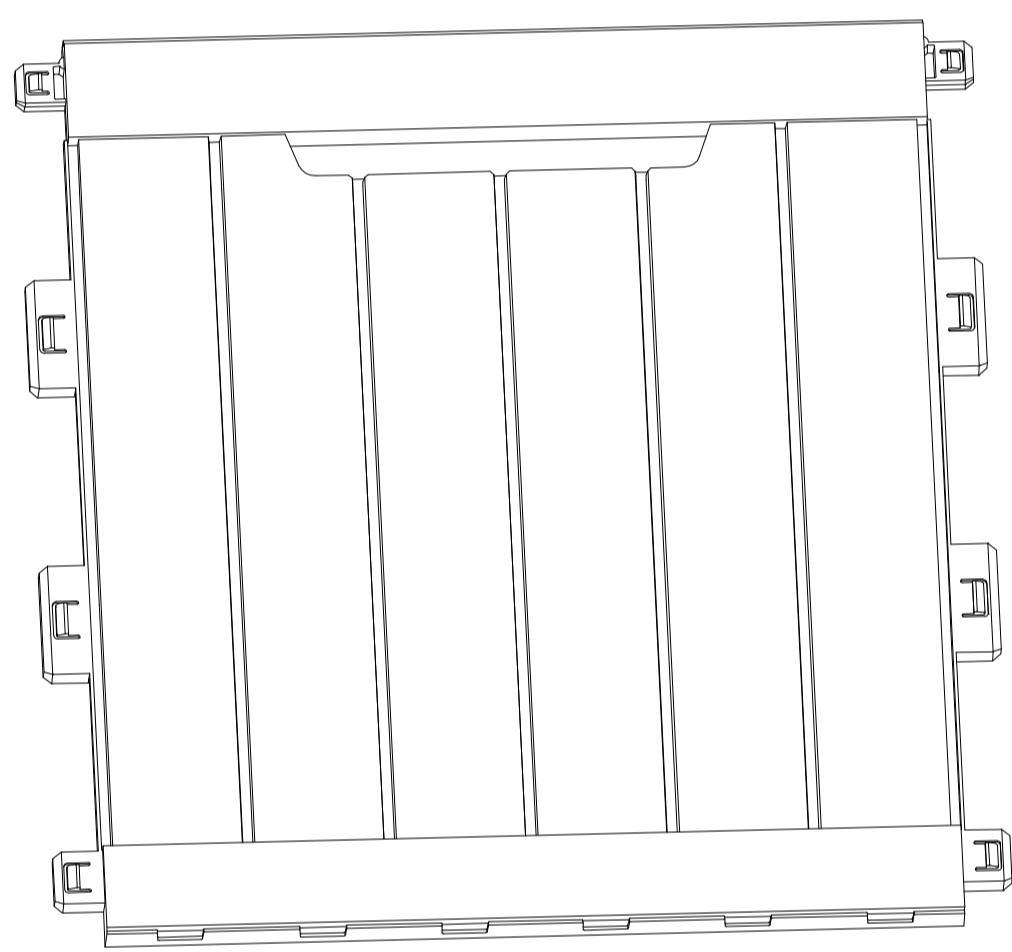


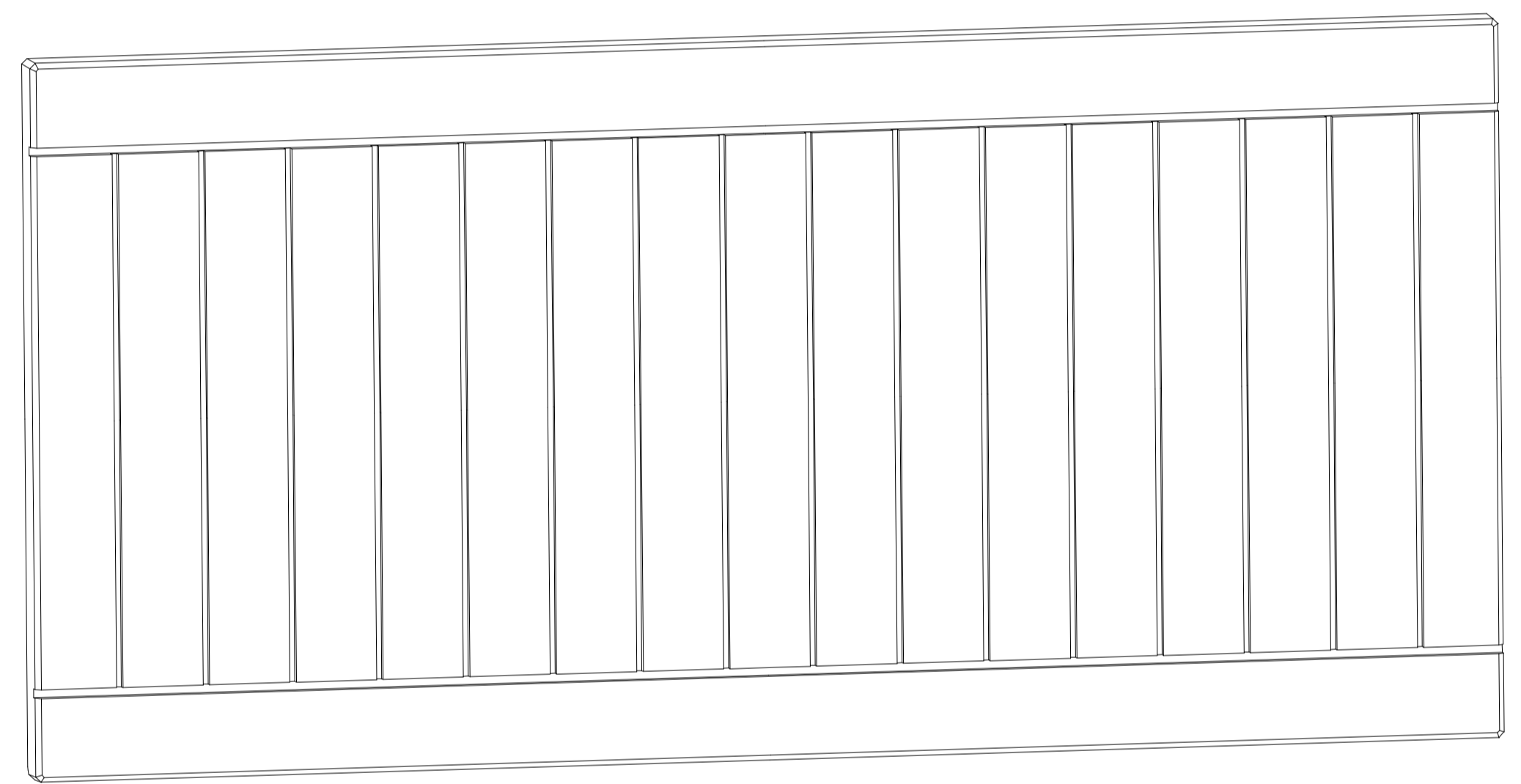
A(X2)



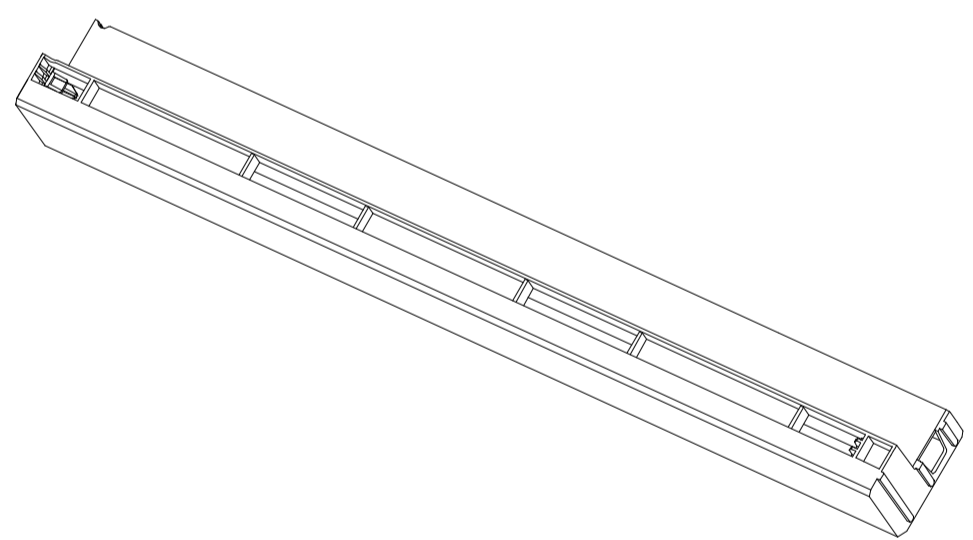
D(X1)



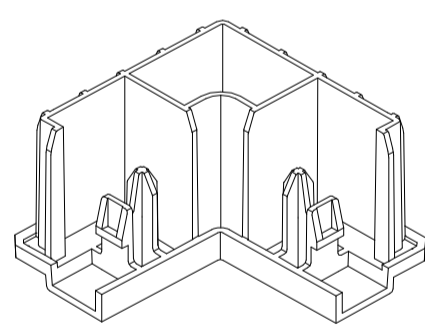
B(X2)



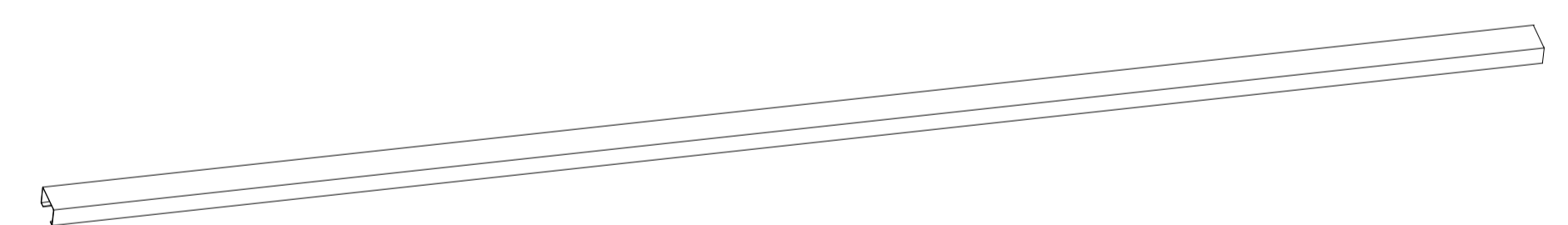
J(X1)



G(X4)



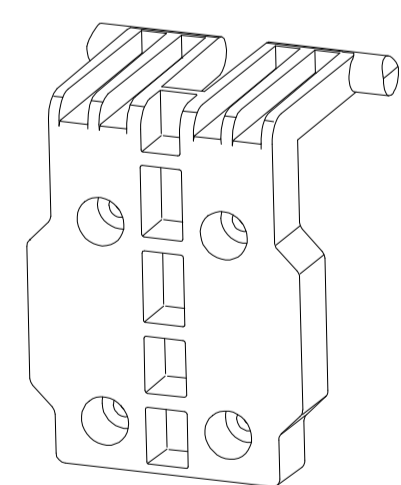
F(X4)



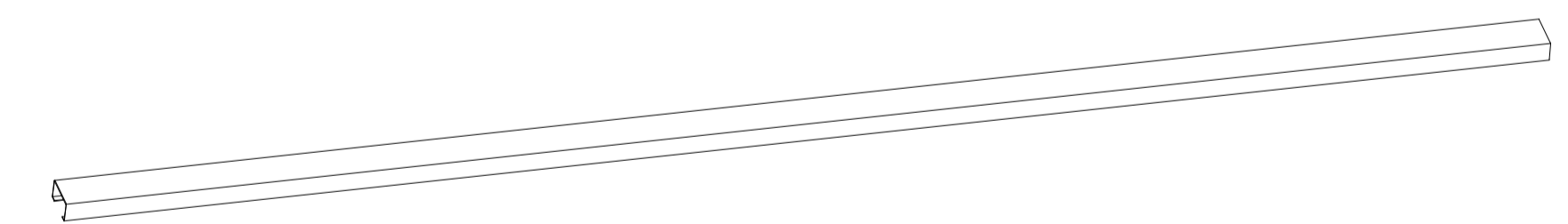
(X1)1286X15X30



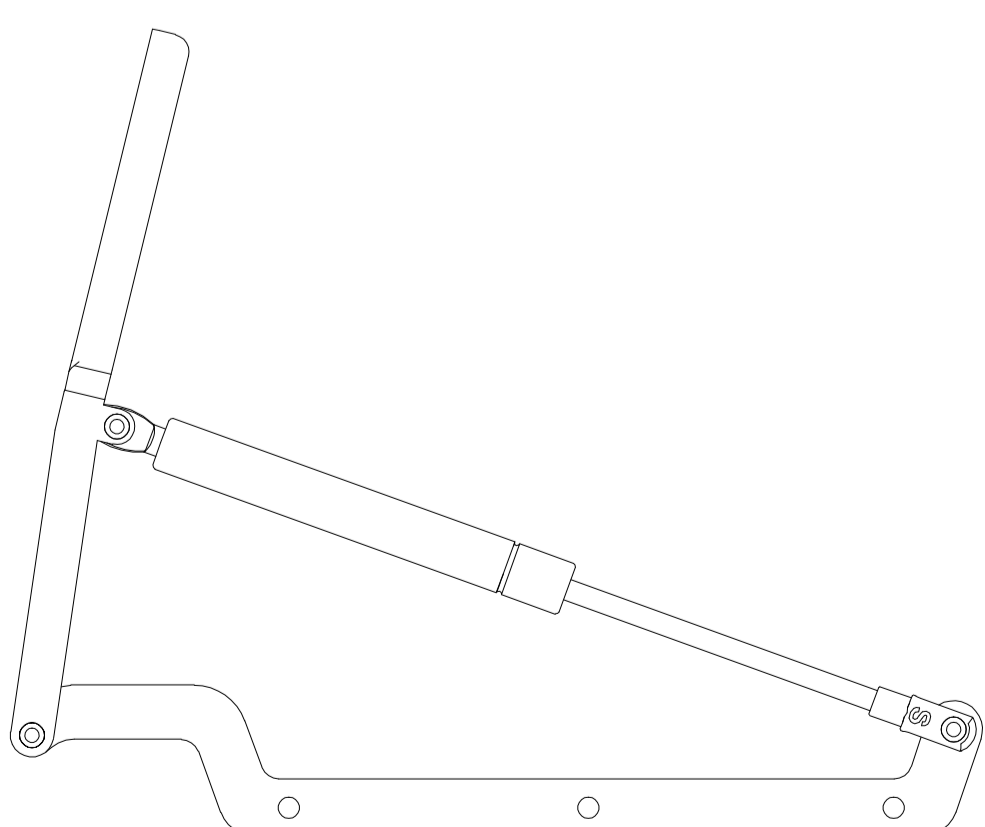
T(X9)



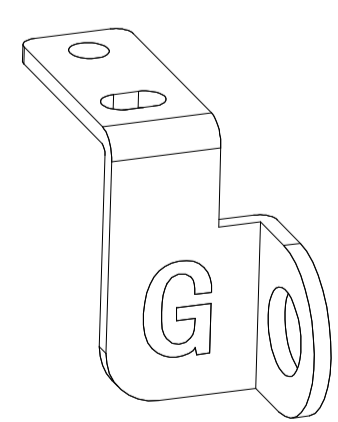
E(X1)



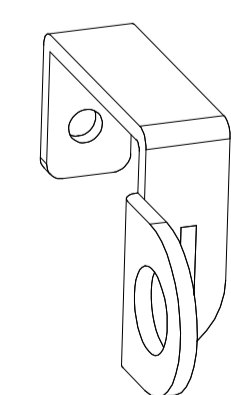
(X2)1200X15X30



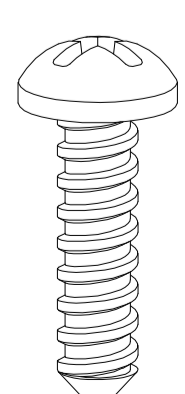
H(X2)



G(X1)

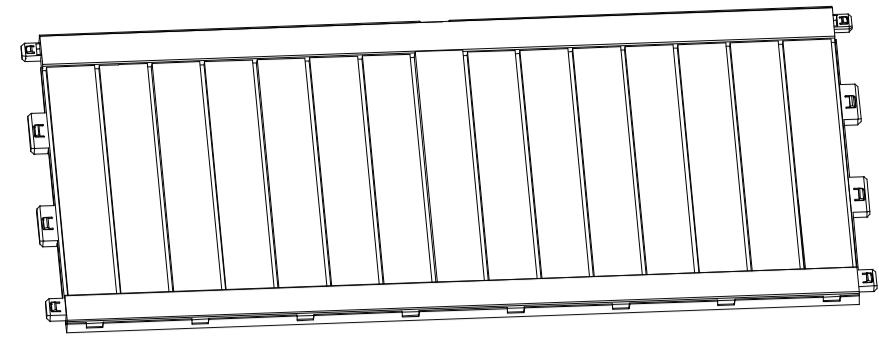


I(X1)

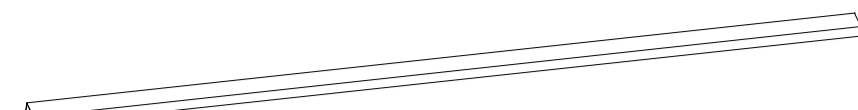


**M4x13mm
(X35)**

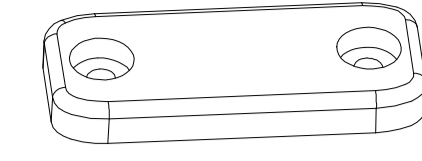
1



A(X1)

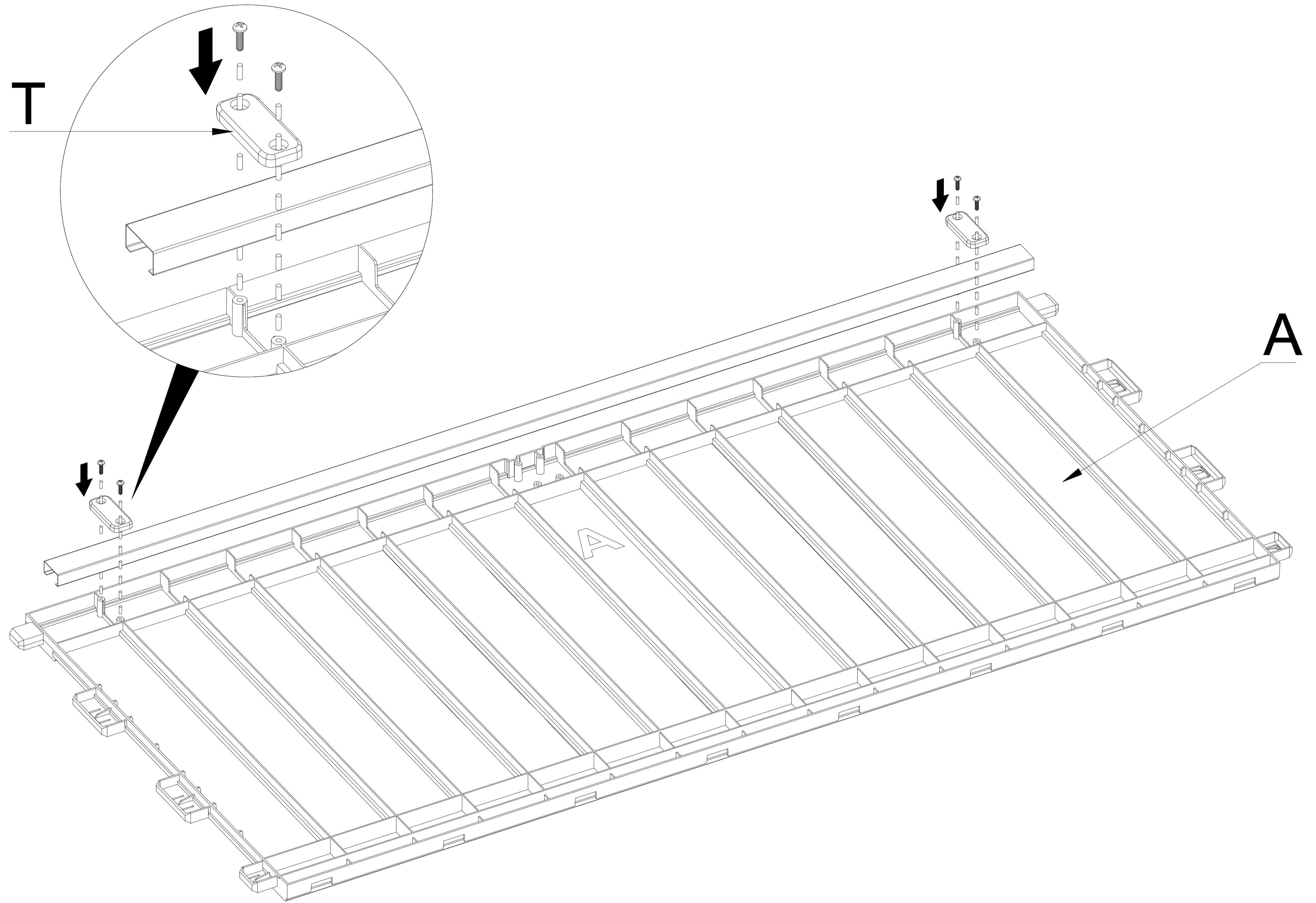


(X1)1200X15X30

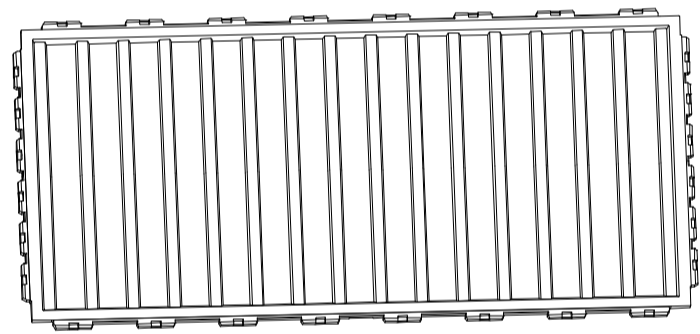


T(X2)

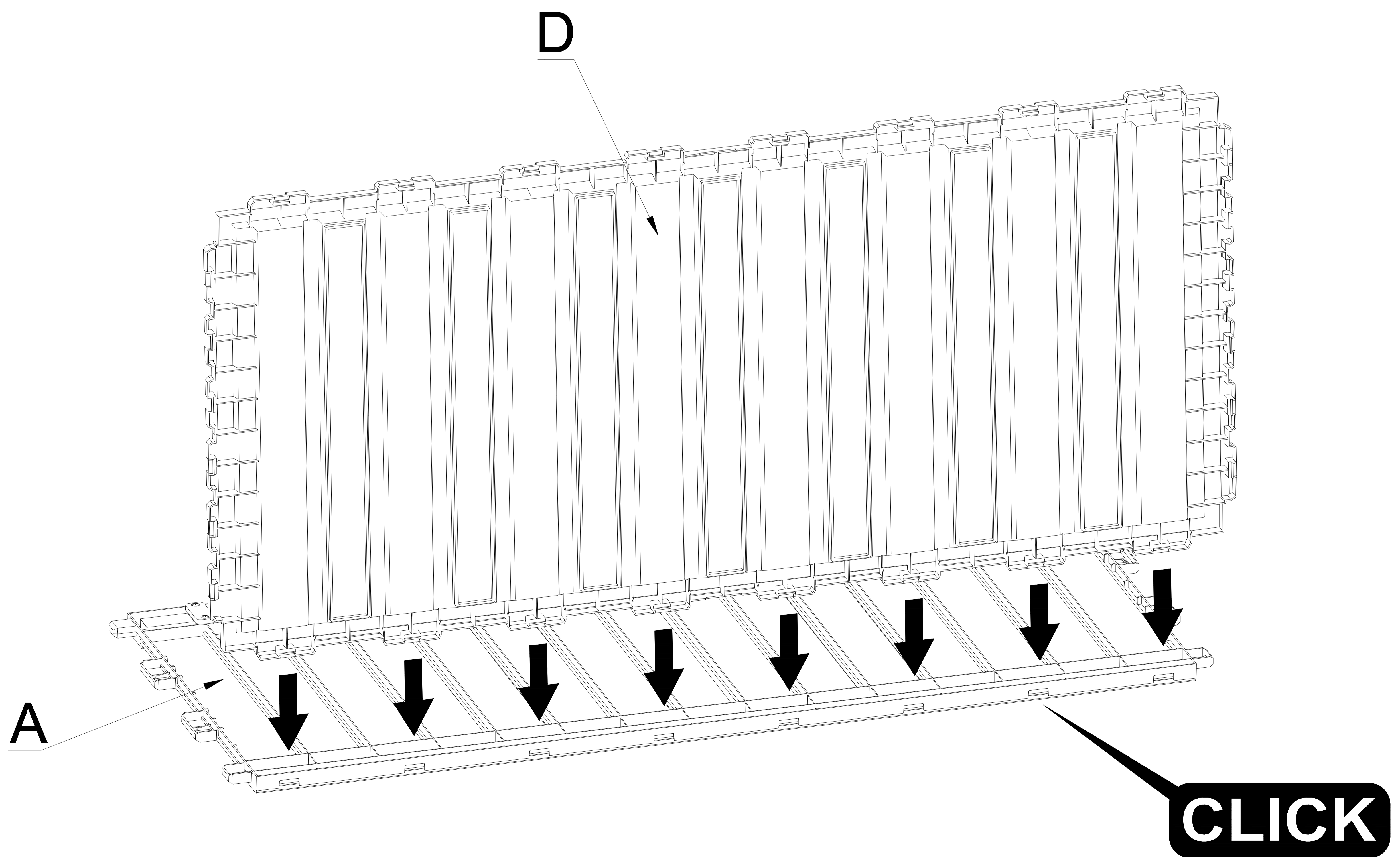
M4x13mm
(X4)



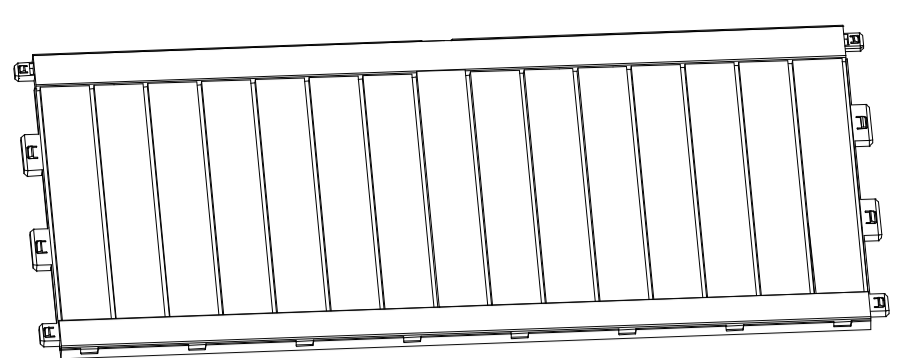
2



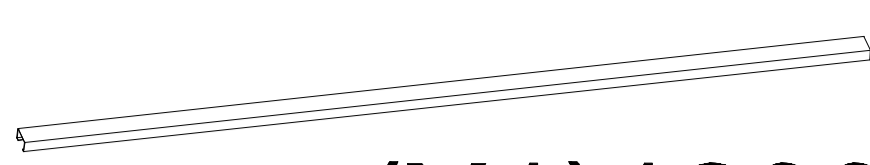
D(X1)



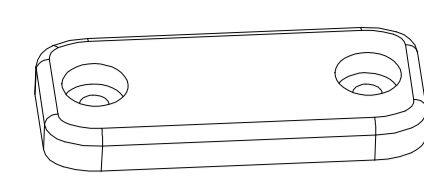
3



A(X1)

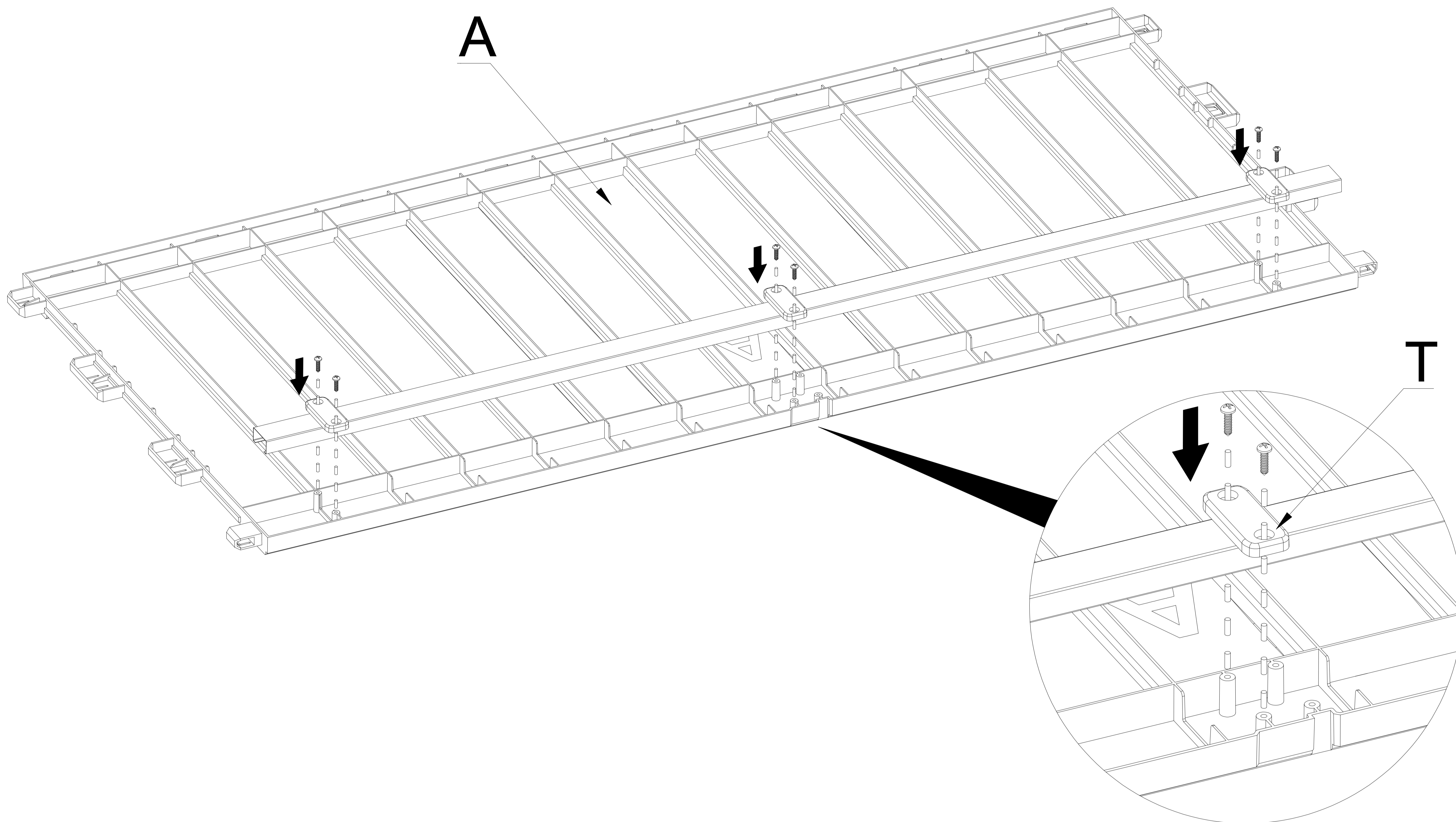


(X1)1200X15X30

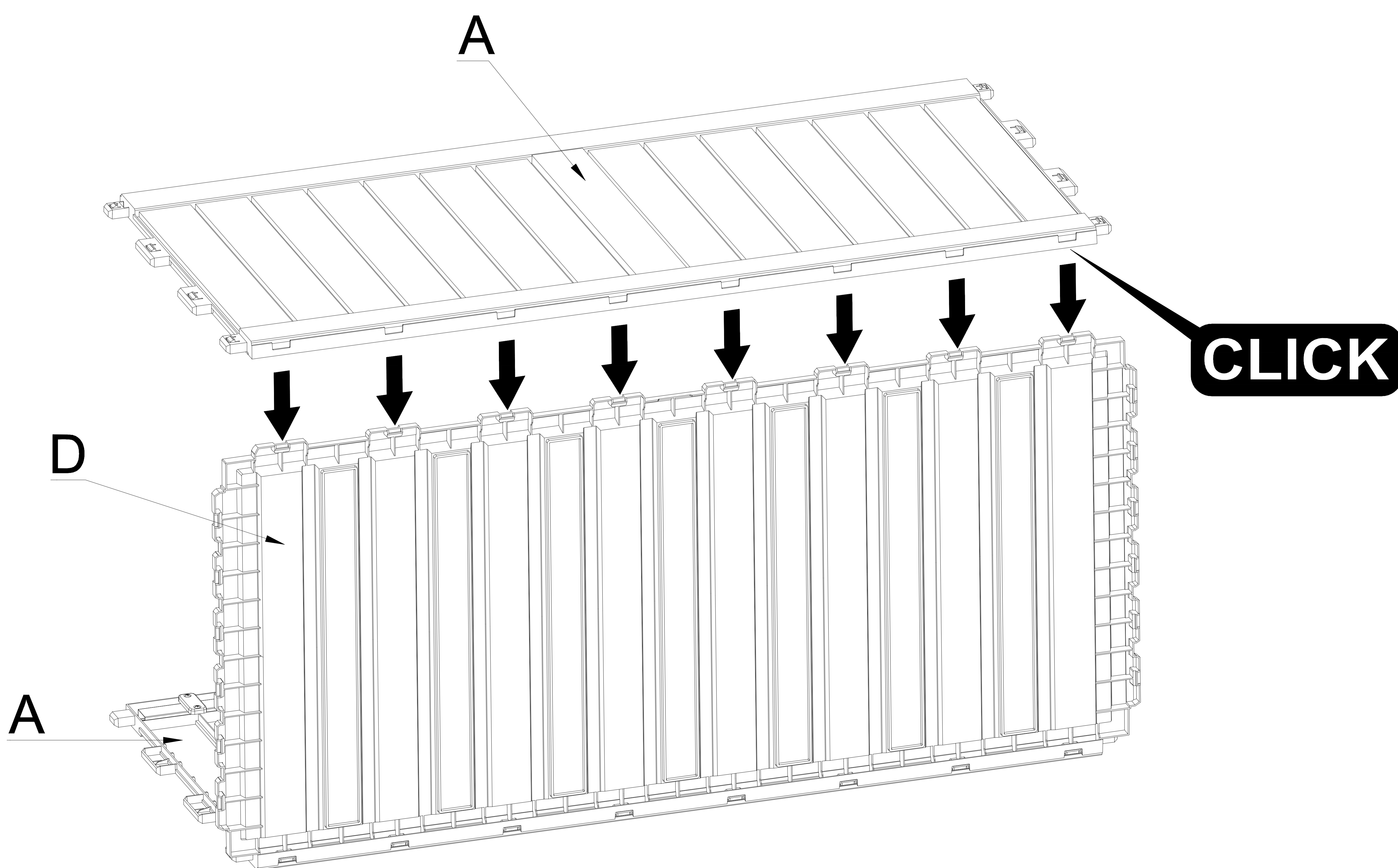


T(X3)

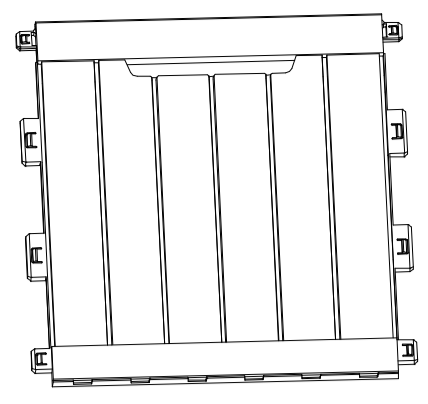
M4x13mm
(X6)



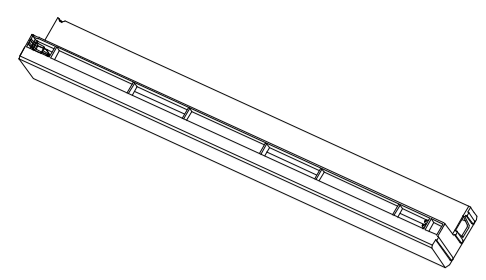
4



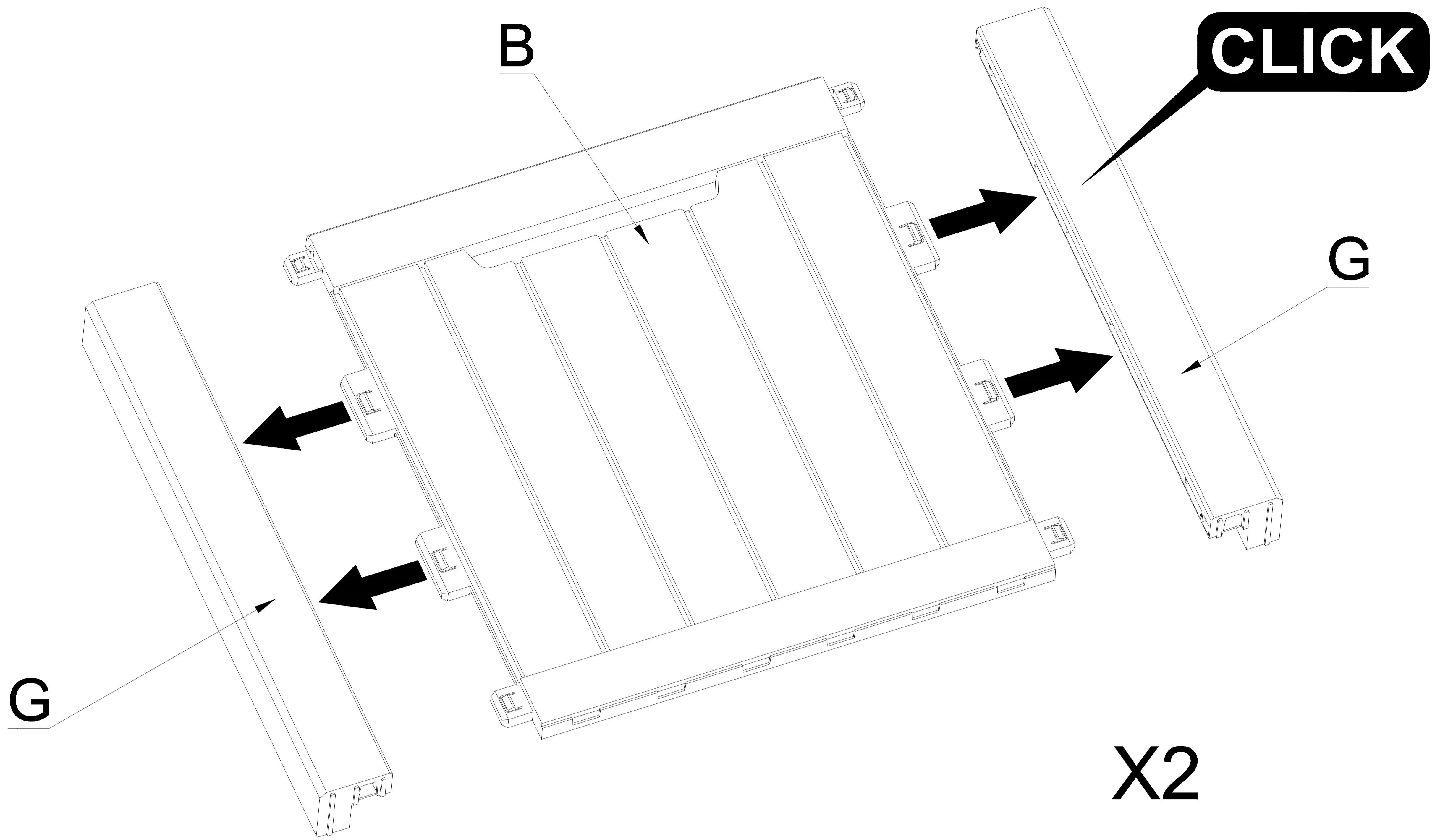
5



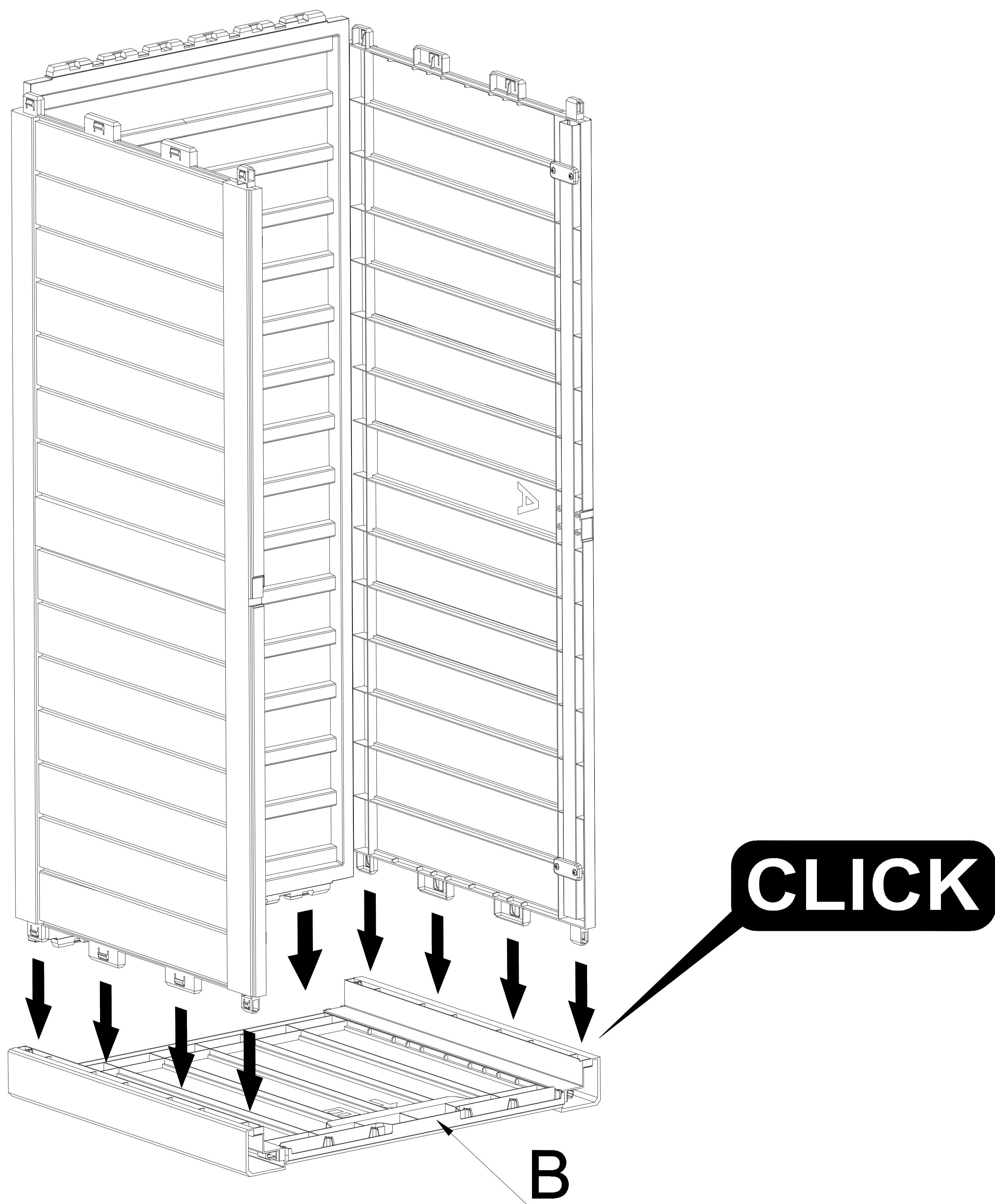
B(X2)



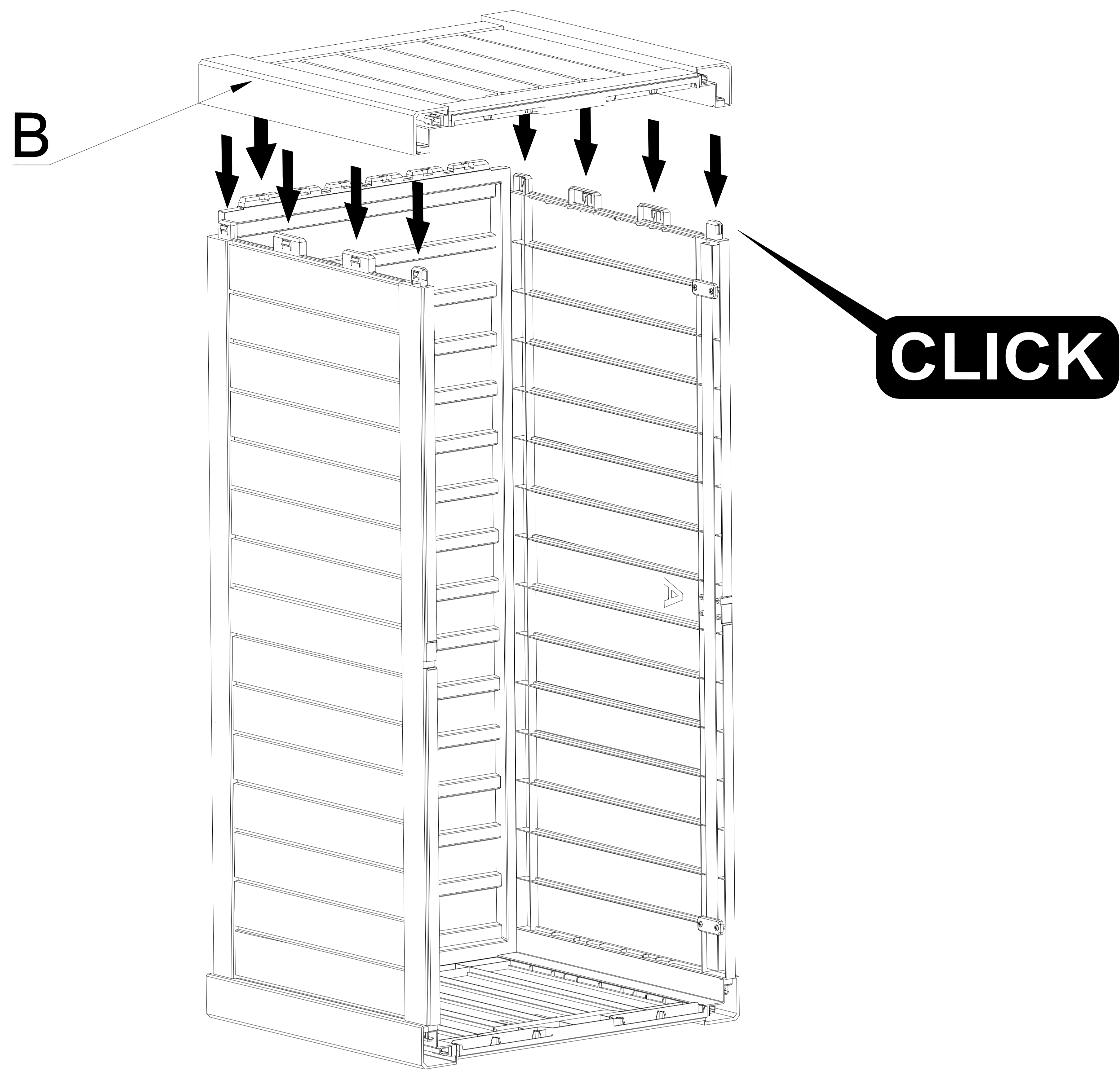
G(X4)



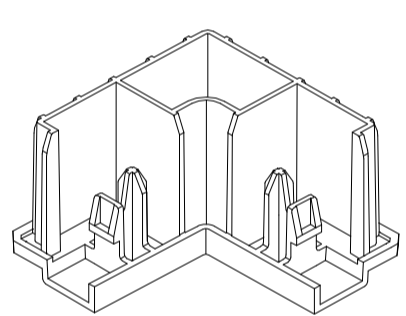
6



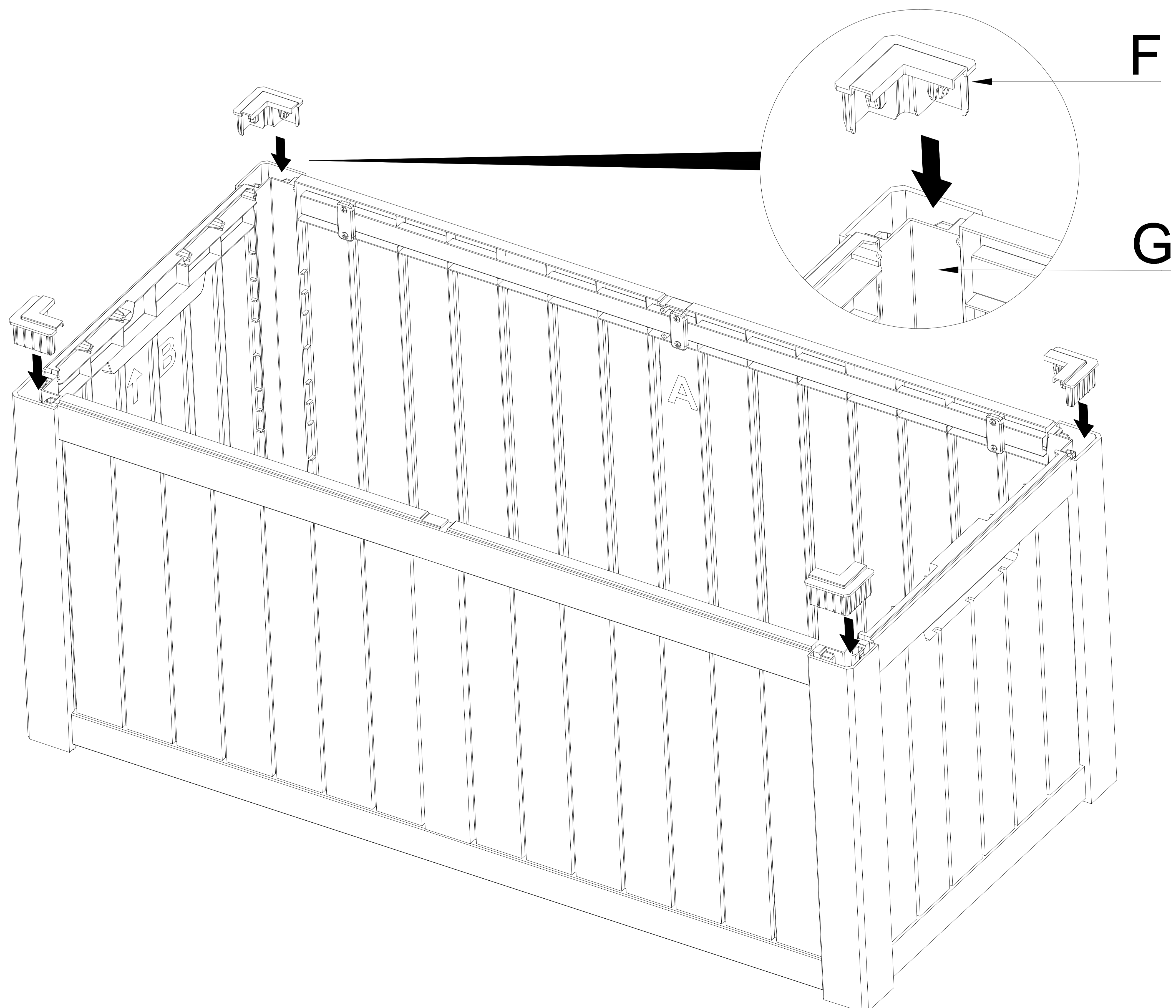
7



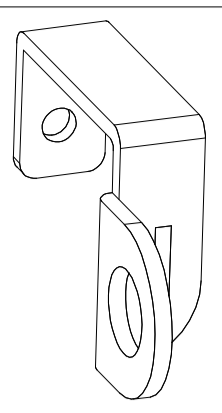
8



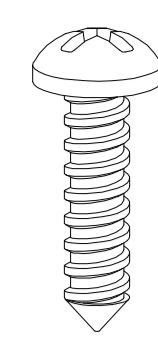
F(X4)



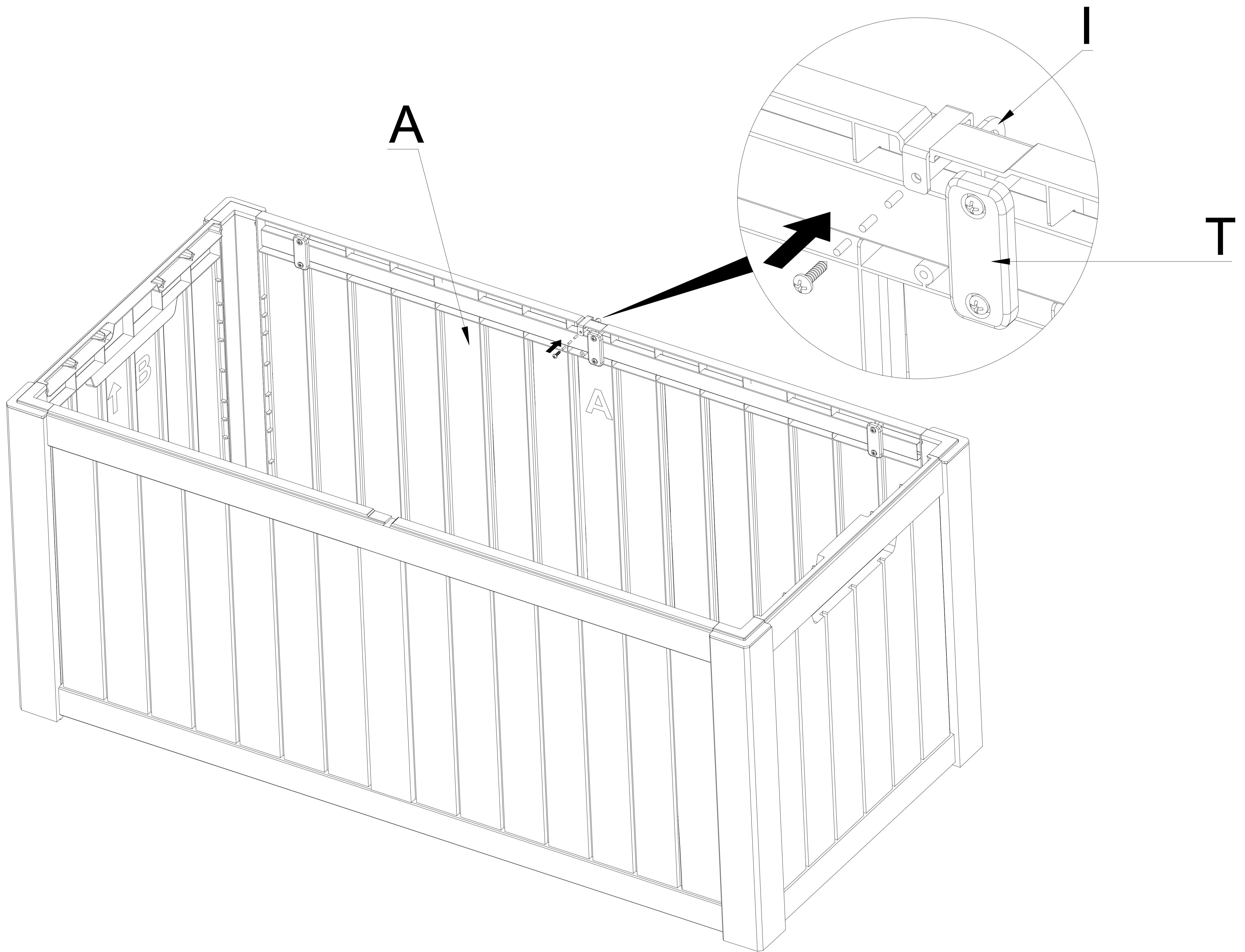
9



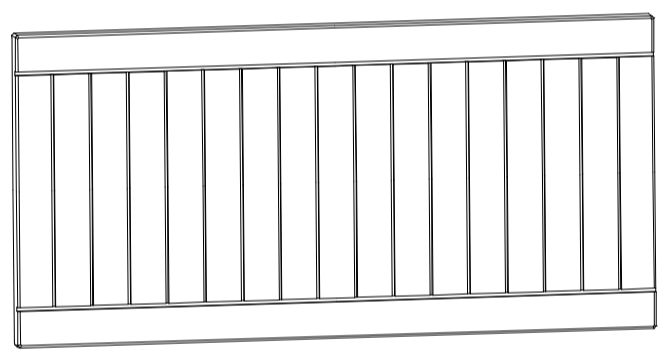
I(X1)



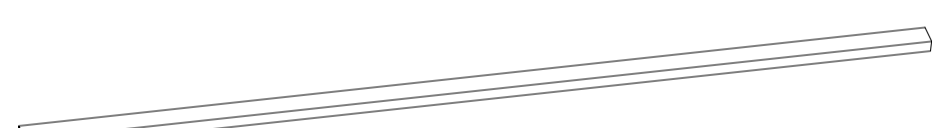
M4x13mm
(X1)



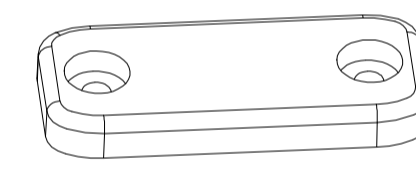
10



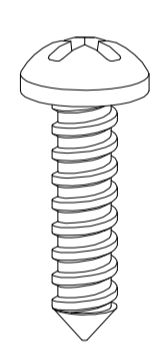
J(X1)



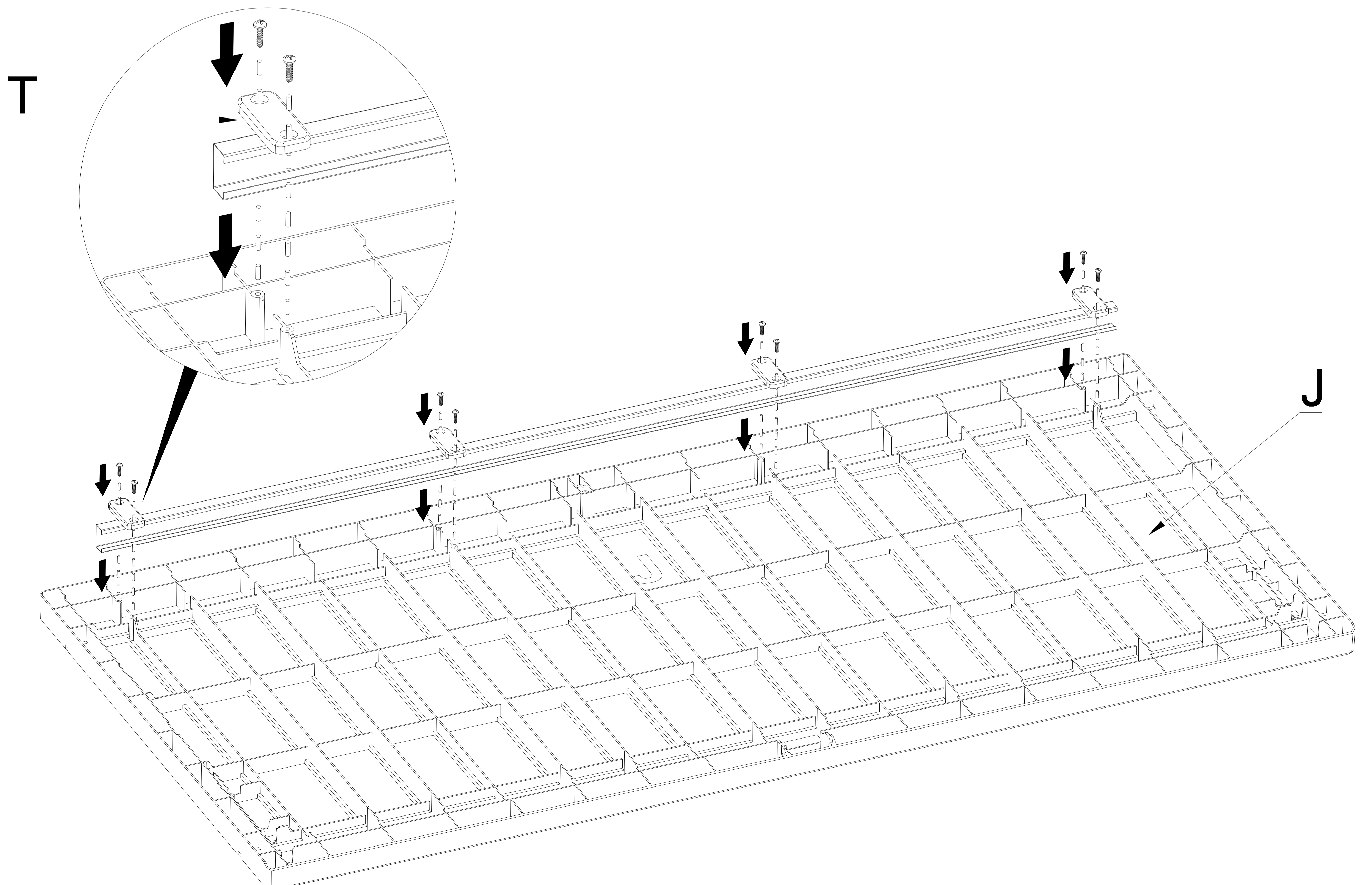
(X1)1286X15X30



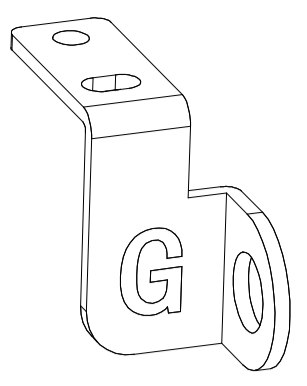
T(X4)



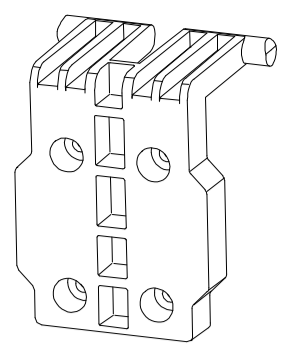
M4x13mm
(X8)



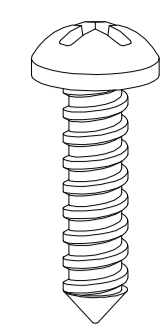
11



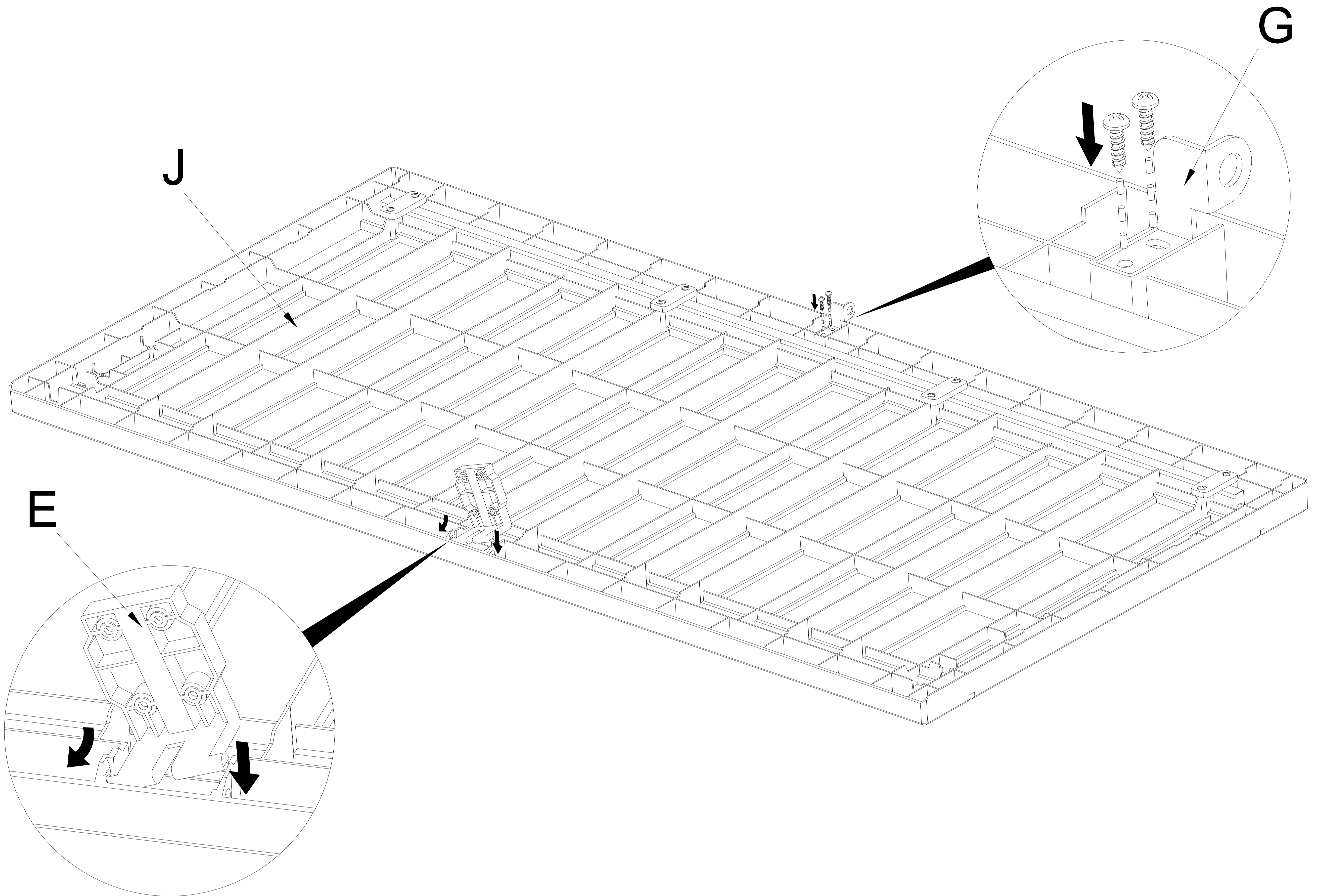
G(X1)



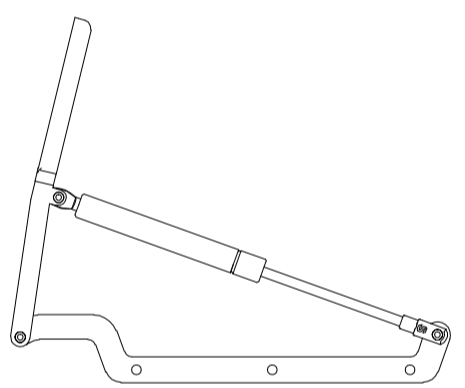
E(X1)



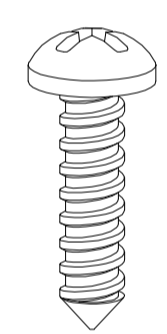
M4x13mm
(X2)



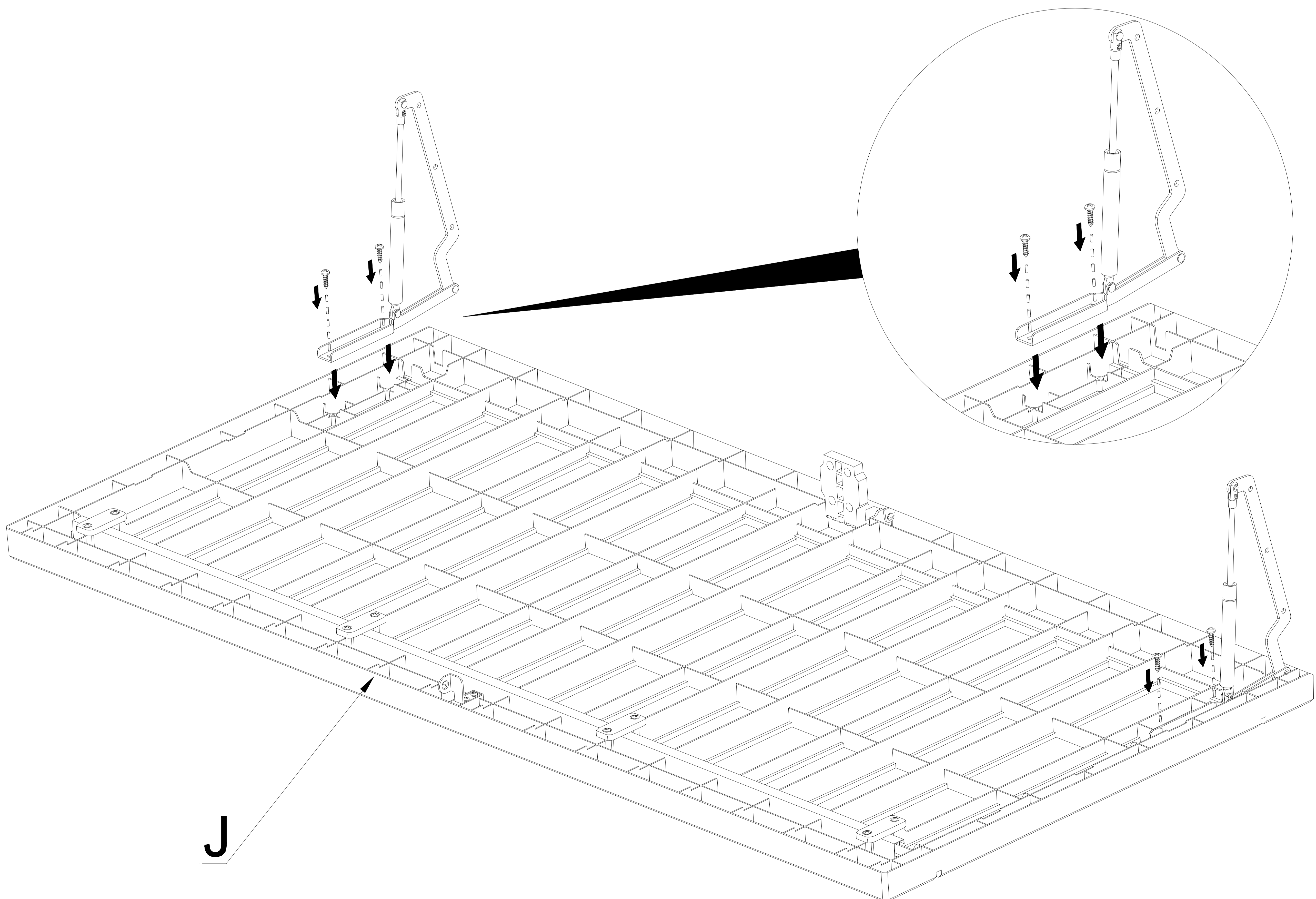
12



H(X2)

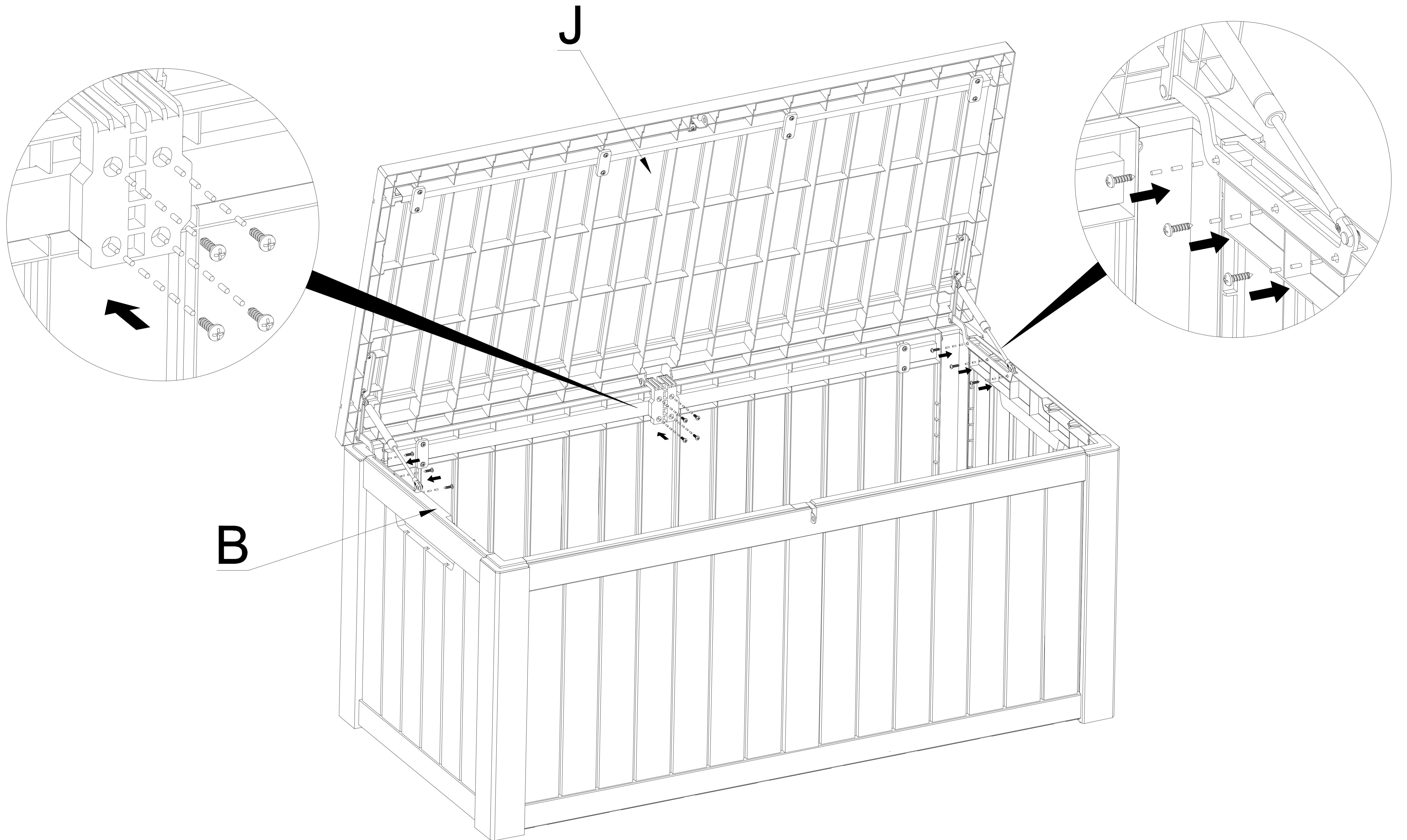


M4x13mm
(X4)



13

M4x13mm
(X10)



14

