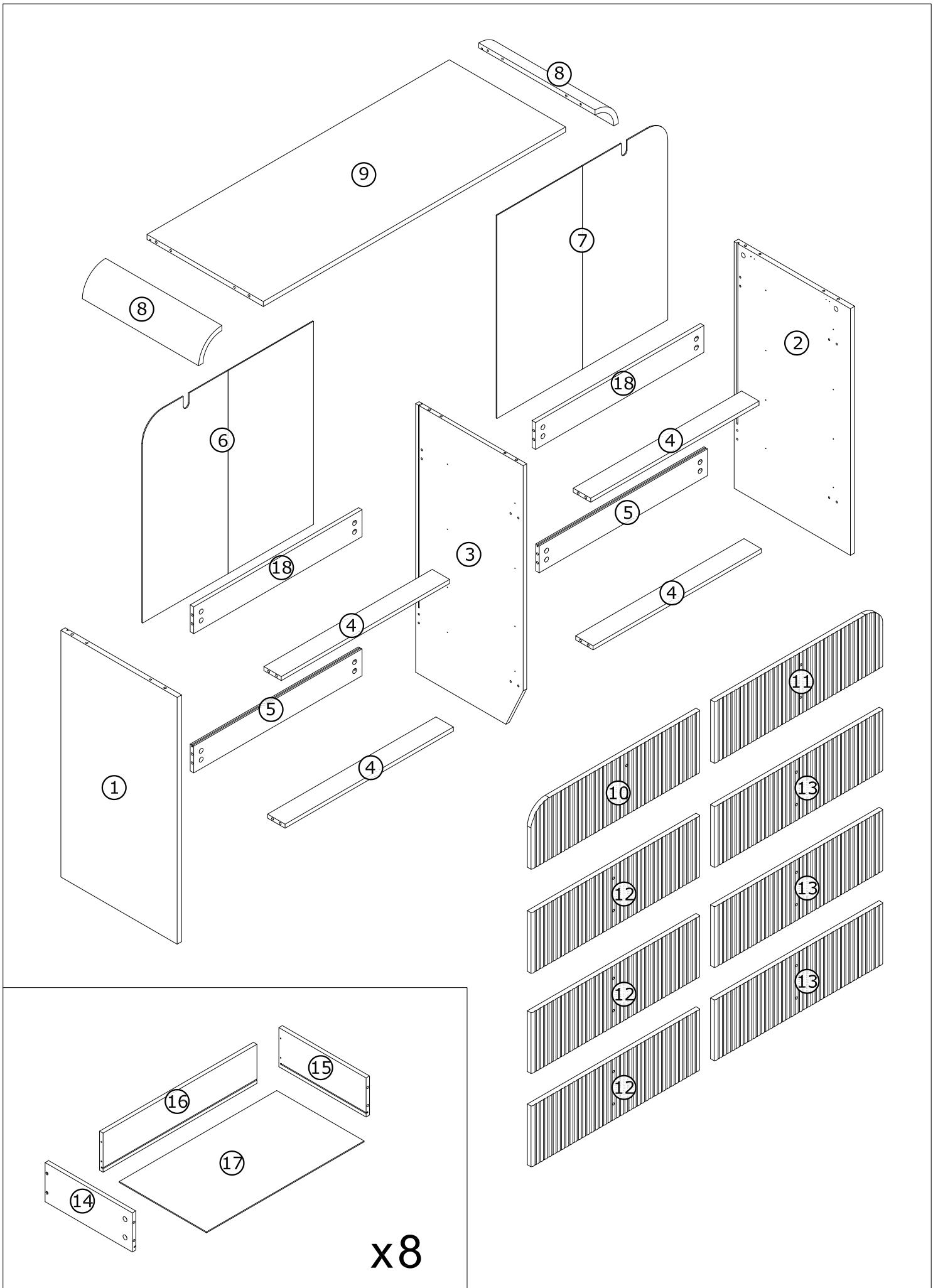
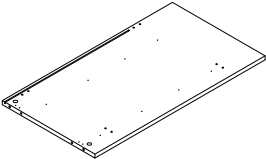
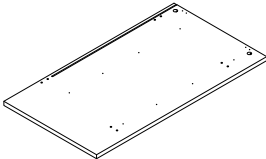
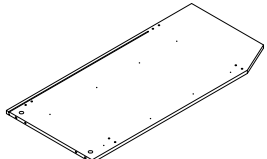
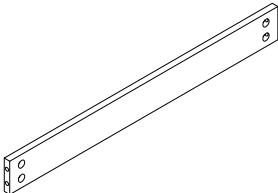
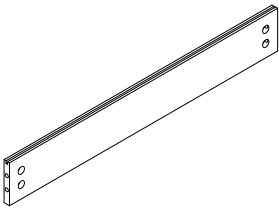
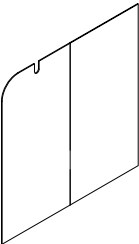
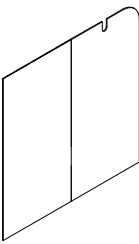
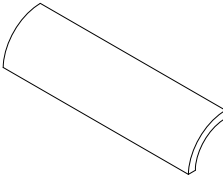
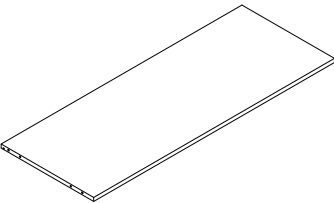
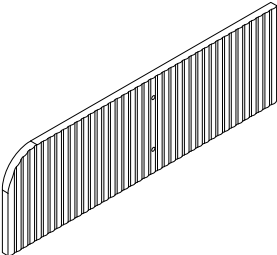
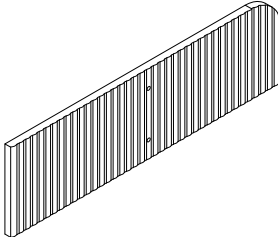
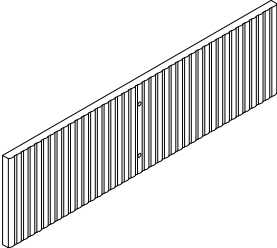
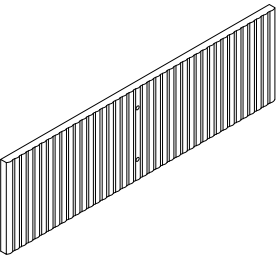
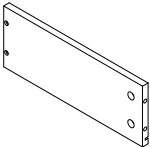
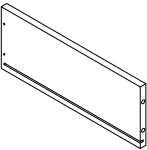
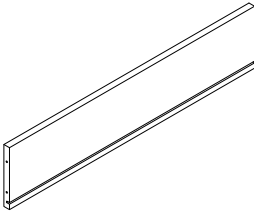
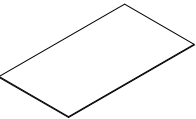
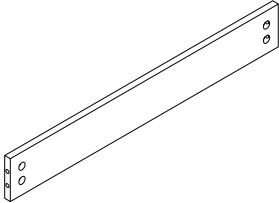


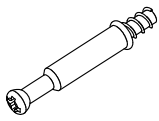

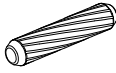


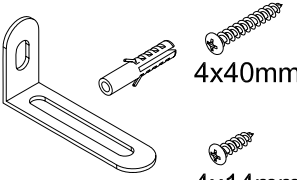
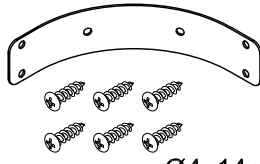
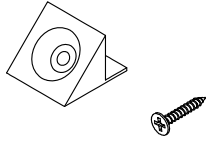
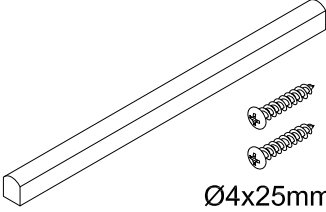

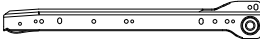
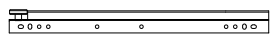
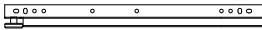
Installation instruction



Parts and Operation Elements

			
① 1pc	② 1pc	③ 1pc	④ 4pcs
			
⑤ 2pcs	⑥ 1pc	⑦ 1pc	⑧ 2pcs
			
⑨ 1pc	⑩ 1pc	⑪ 1pc	⑫ 3pcs
			
⑬ 3pcs	⑭ 8pcs	⑮ 8pcs	⑯ 8pcs
			
⑰ 8pcs	⑱ 2pcs		

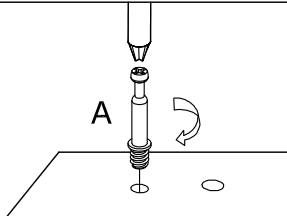
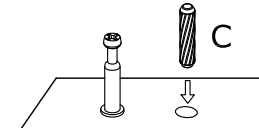
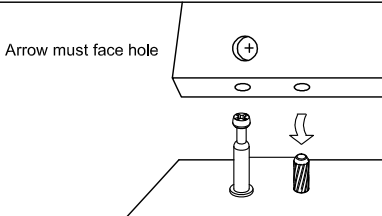
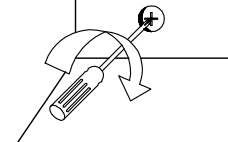
Hardware

							
A	74+2pcs	B	74+2pcs	C	10+1pcs	D	32+1pcs
							
E	64+2pcs	F	2pcs	G	4sets	H	8sets
							
I	8sets	CL	8pcs	CR	8pcs	DL	8pcs
							
DR	8pcs						

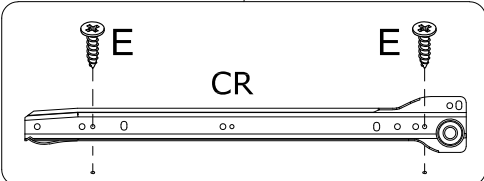
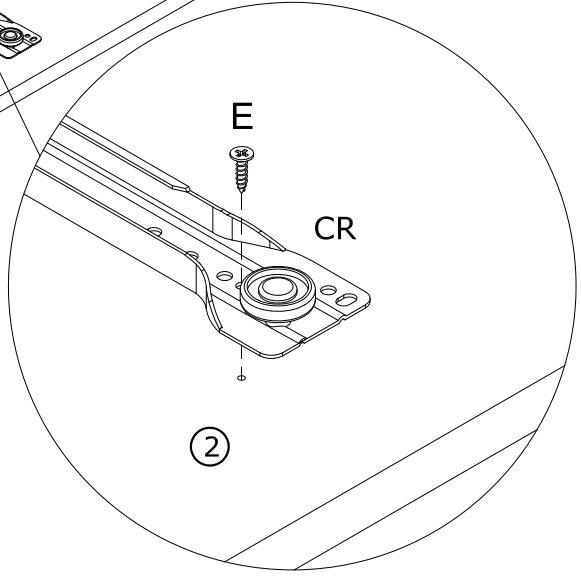
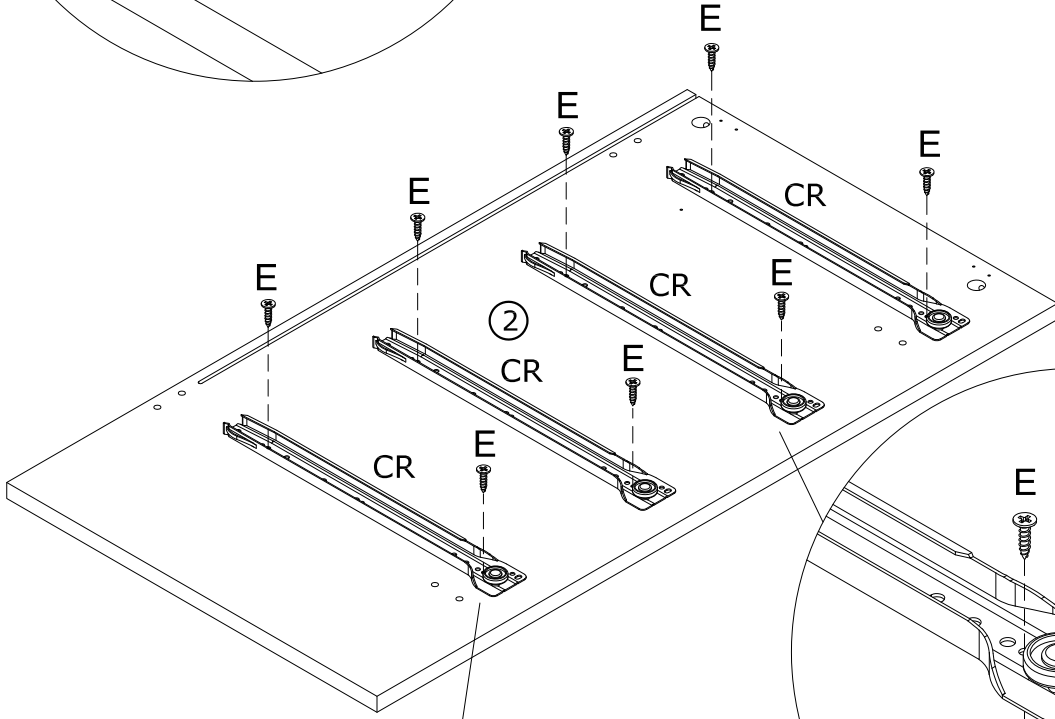
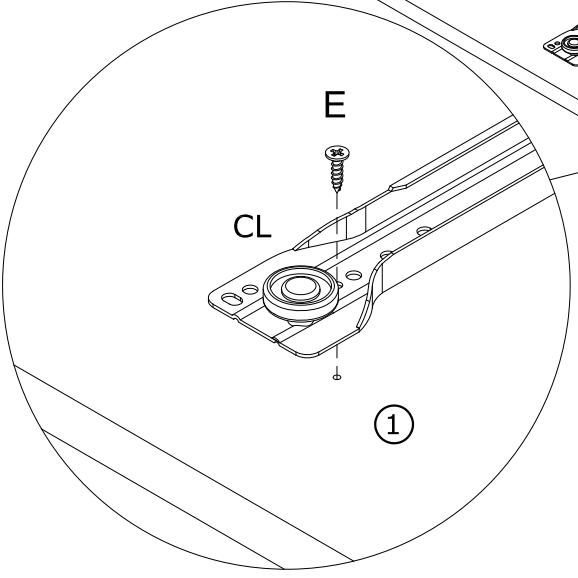
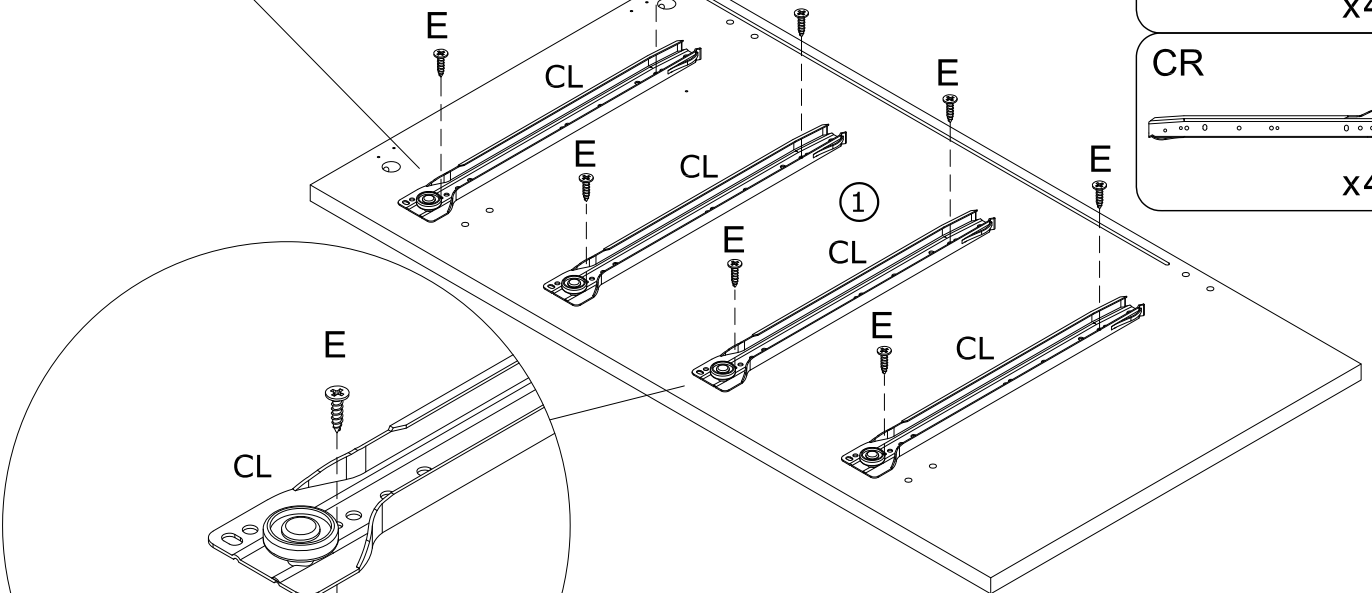
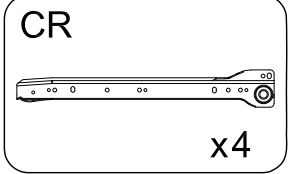
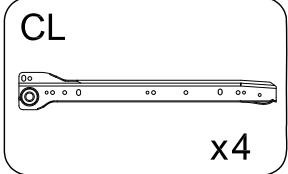
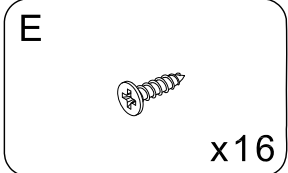
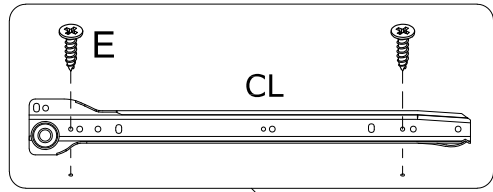


SPARE BAG

THE SPARE BAG INCLUDED EXTRA HARDWARE FOR DAMAGED OR MISSING SMALL HARDWARE WHILE YOU ARE ASSEMBLING

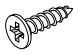
			
Gently screw cam bolt into the threaded anchor	Insert the wood dowel halfway into hole	Arrow must face hole	Screw the camlock firmly into locked position.

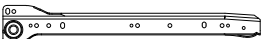
1

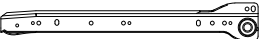


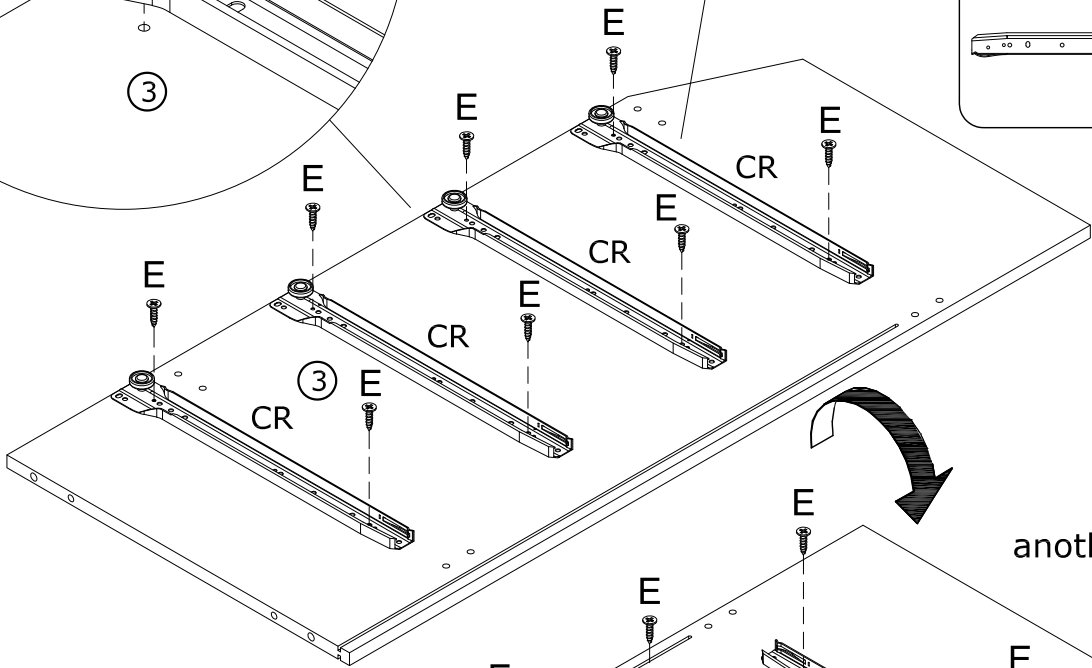
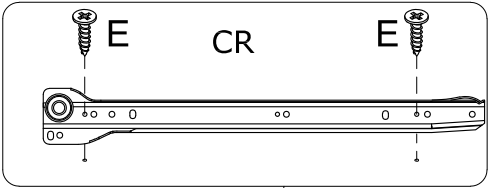
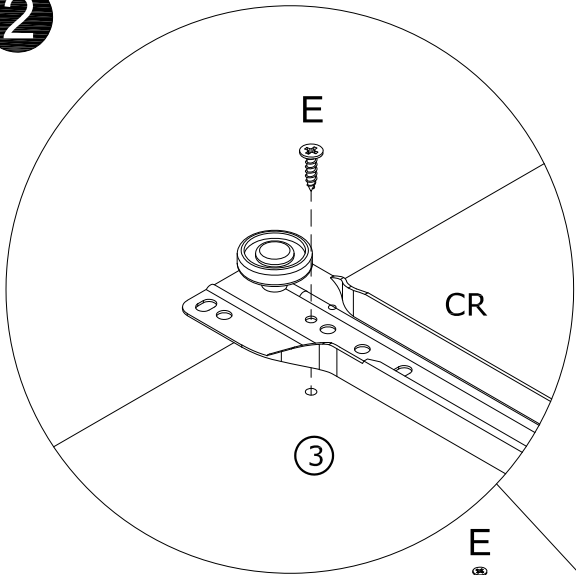
2

⚠ Only 1pc No. ③ panel.

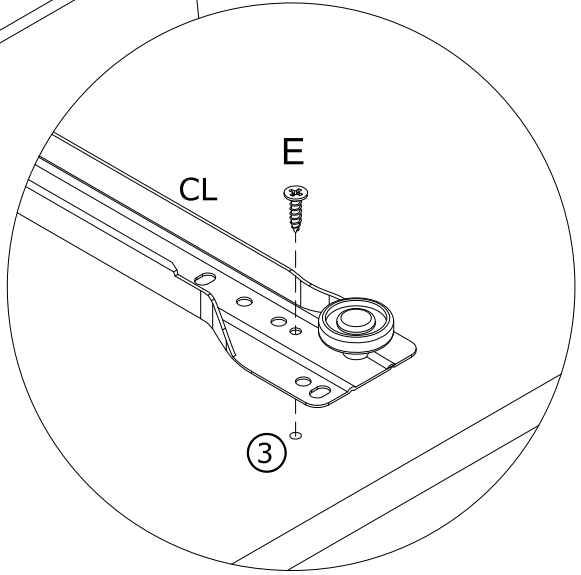
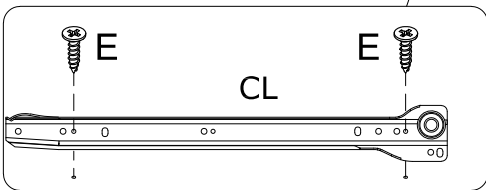
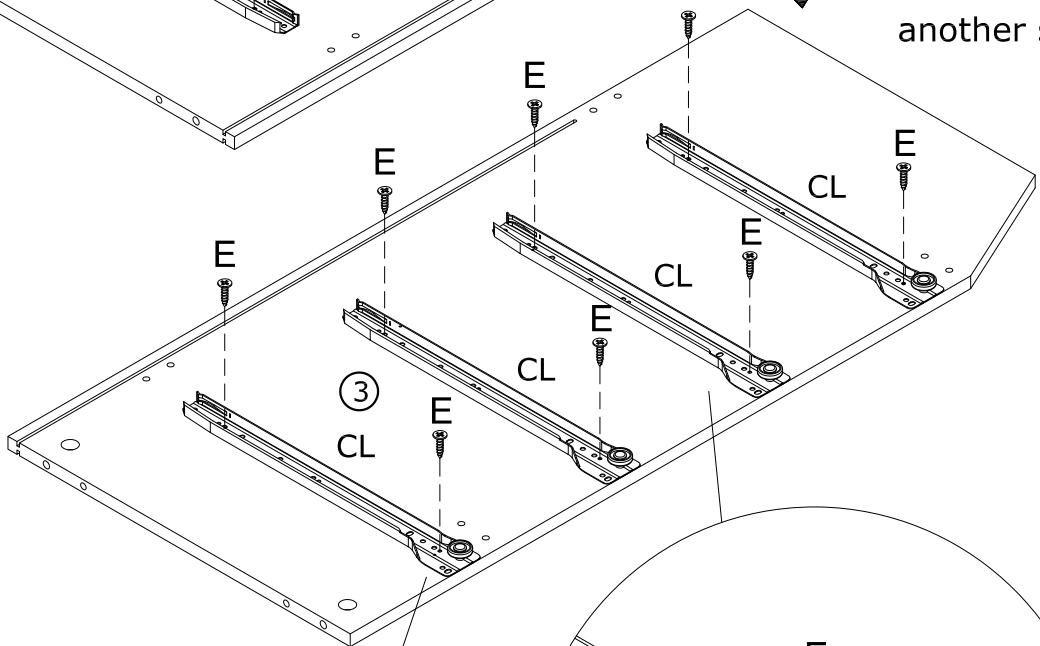
E  x16

CL  x4

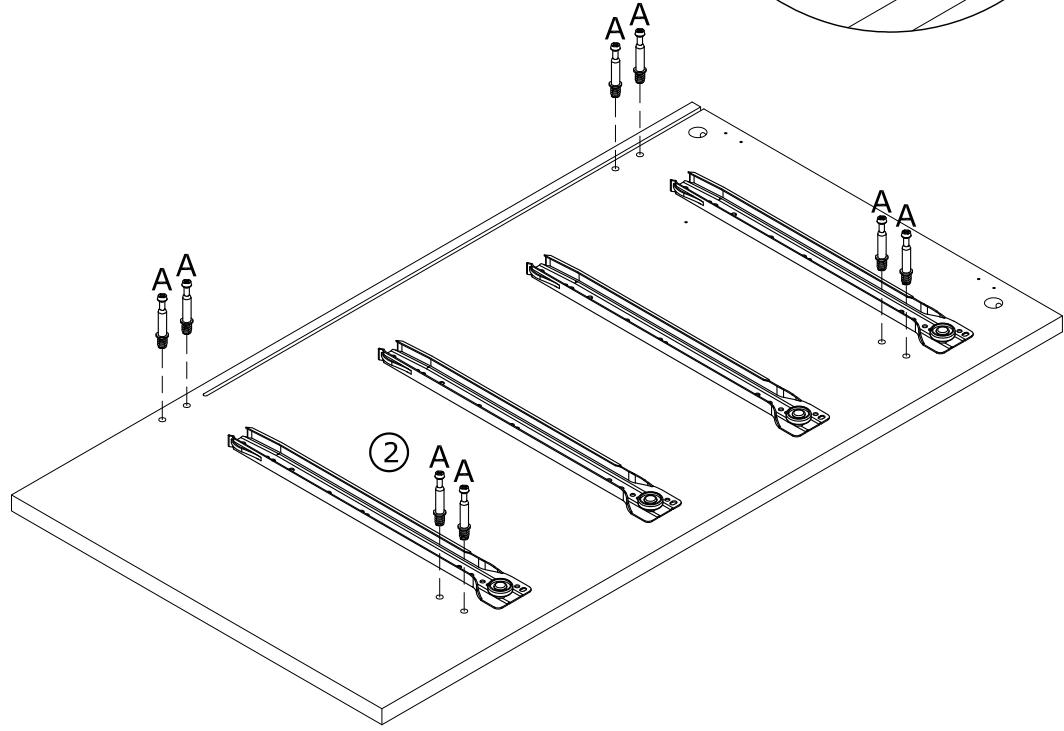
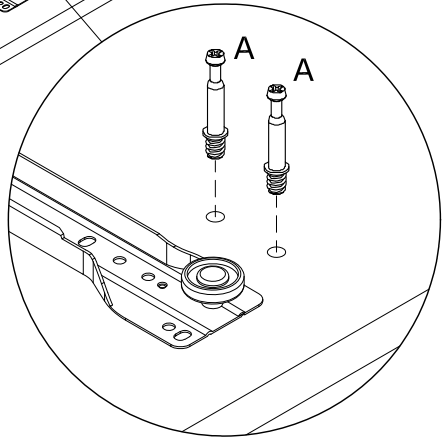
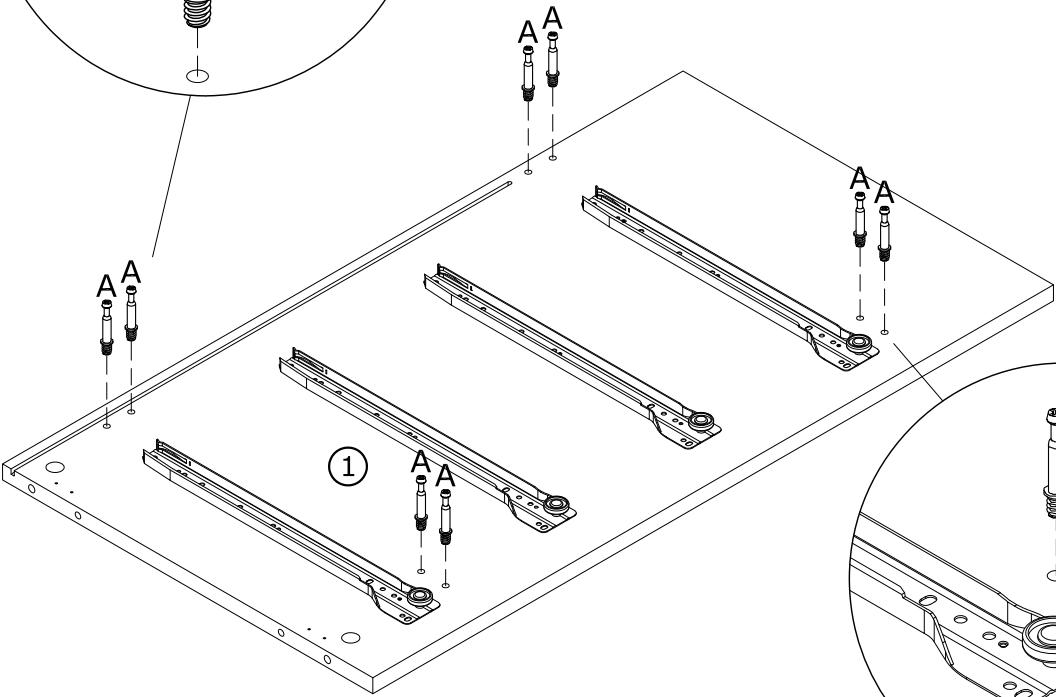
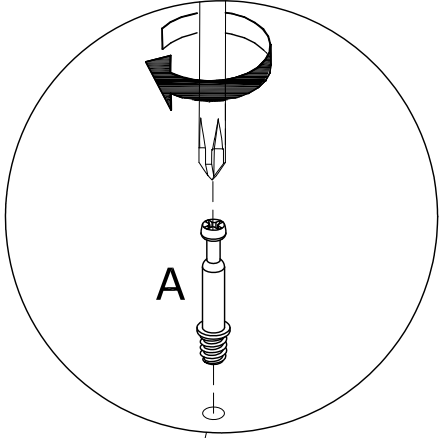
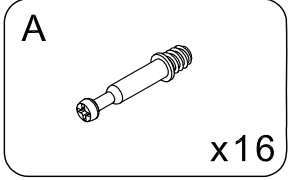
CR  x4



another side

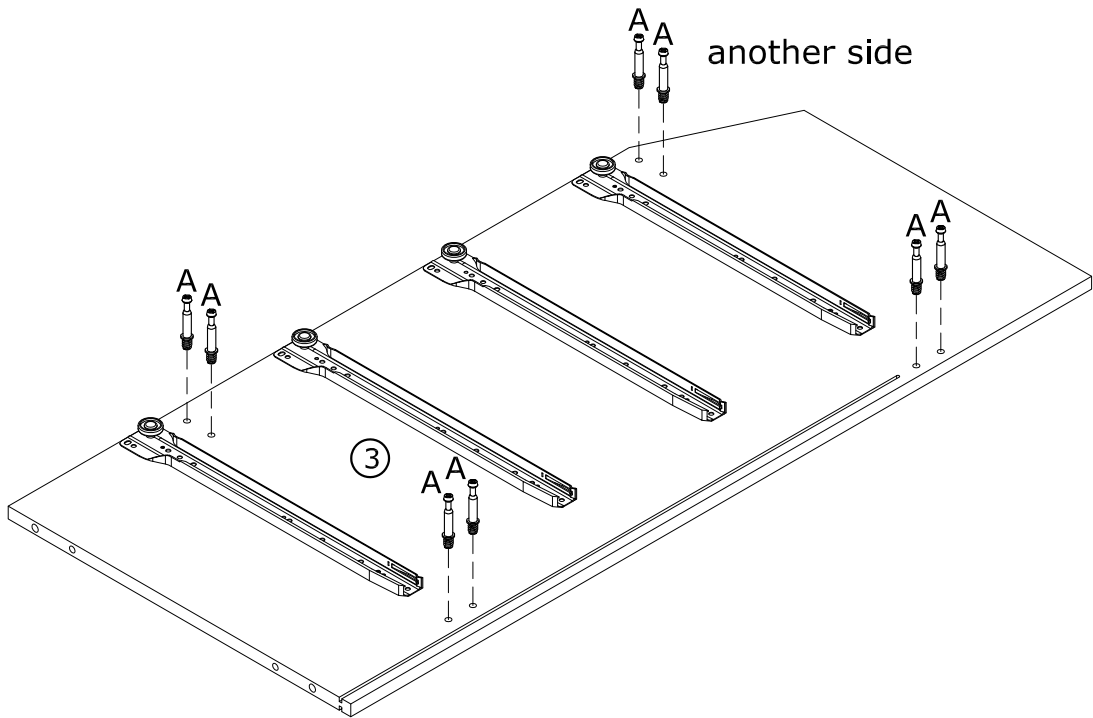
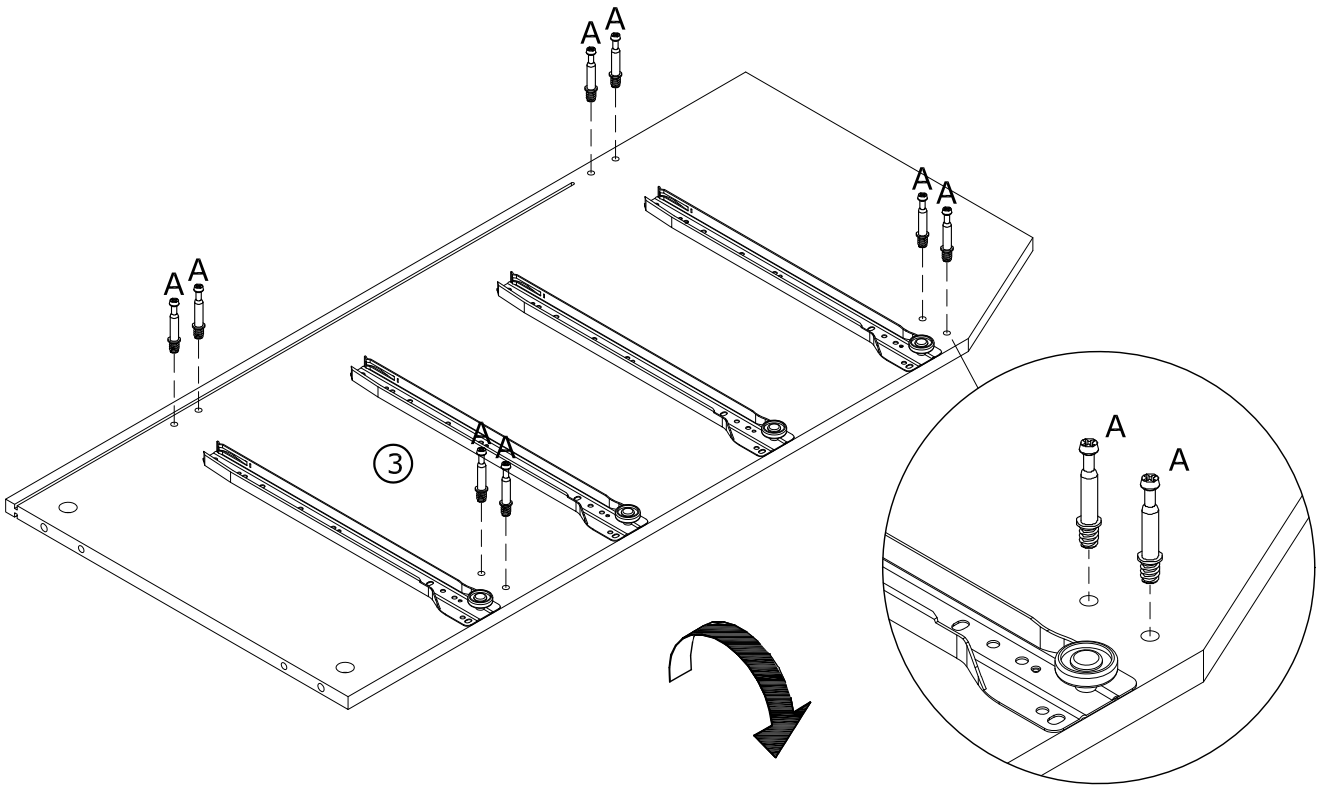
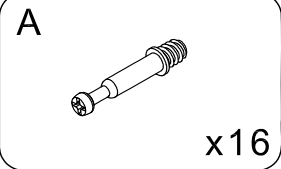


3




4

⚠ Only 1pc No. ③ panel.

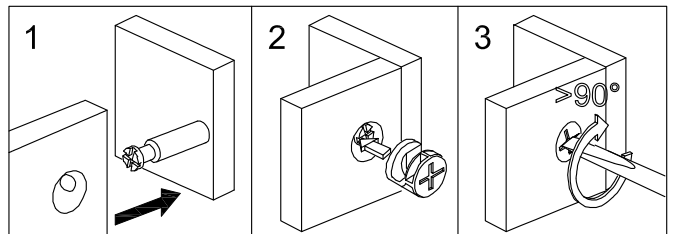
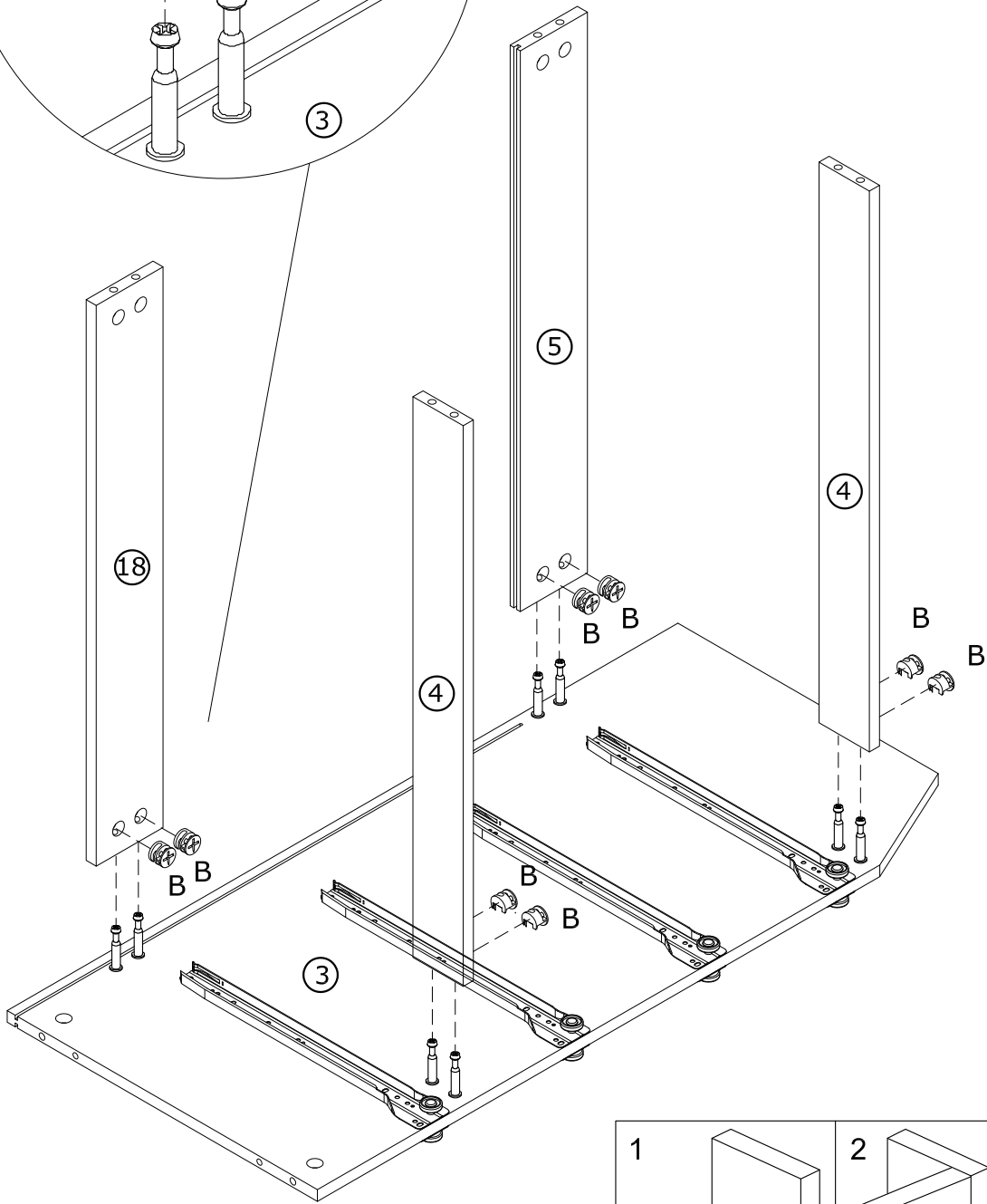
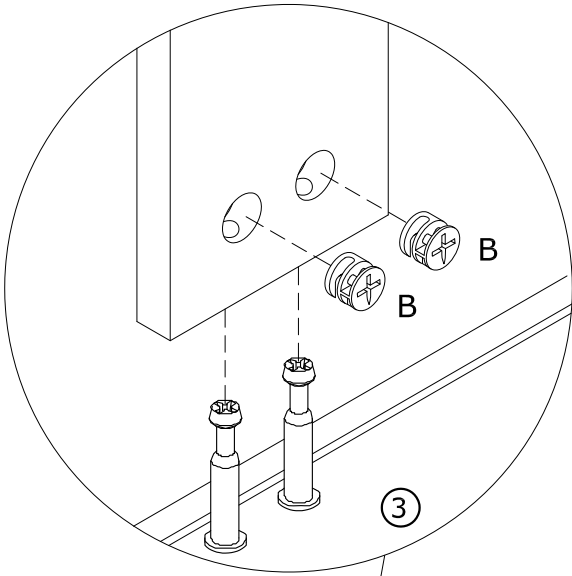


5

B




x8

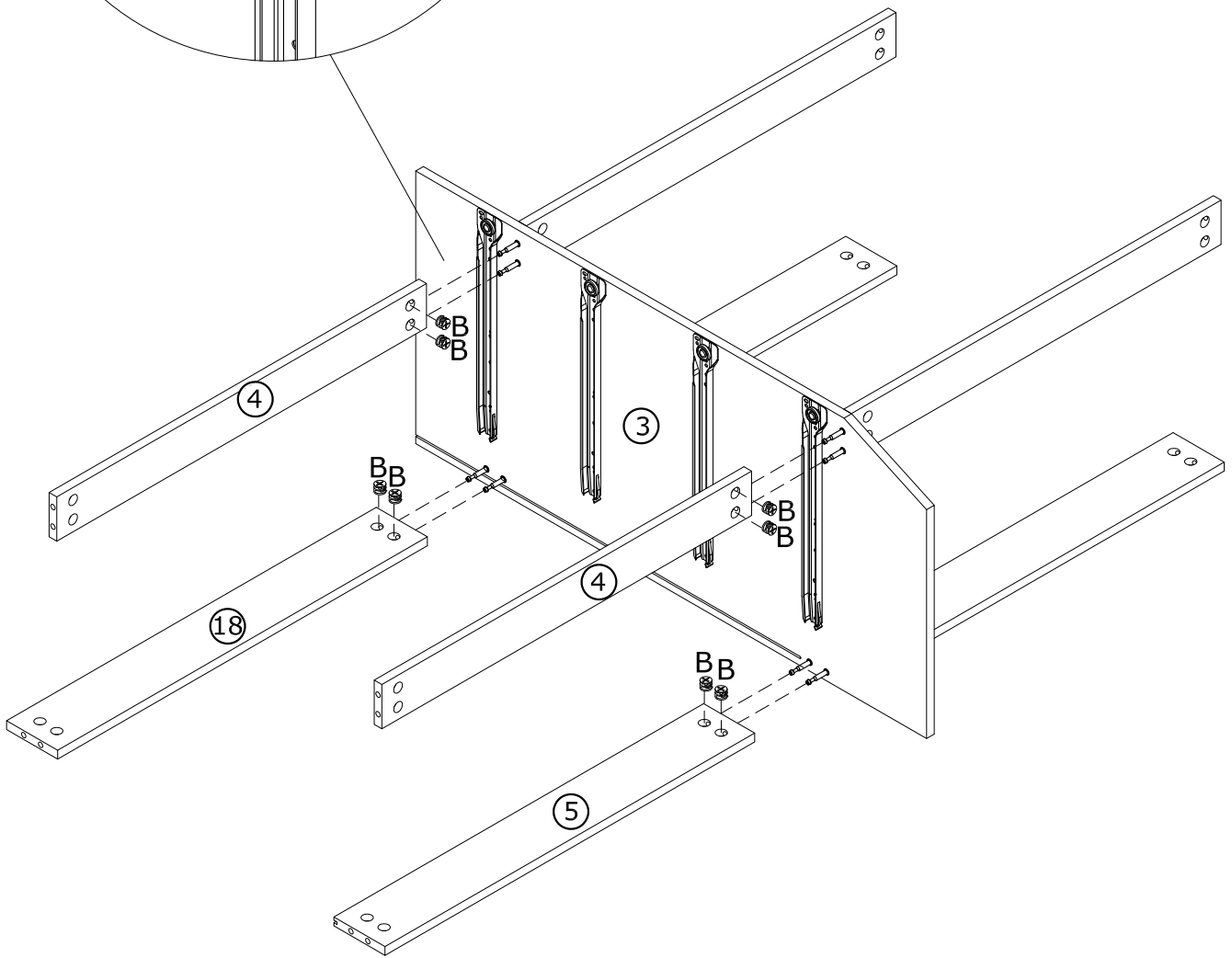
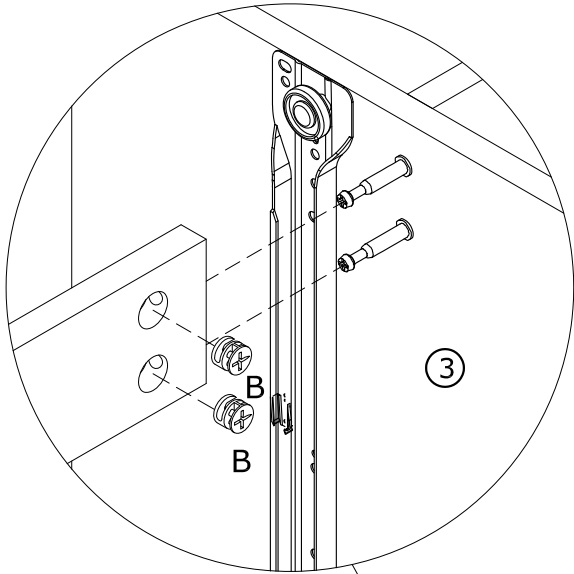


6

B




x8

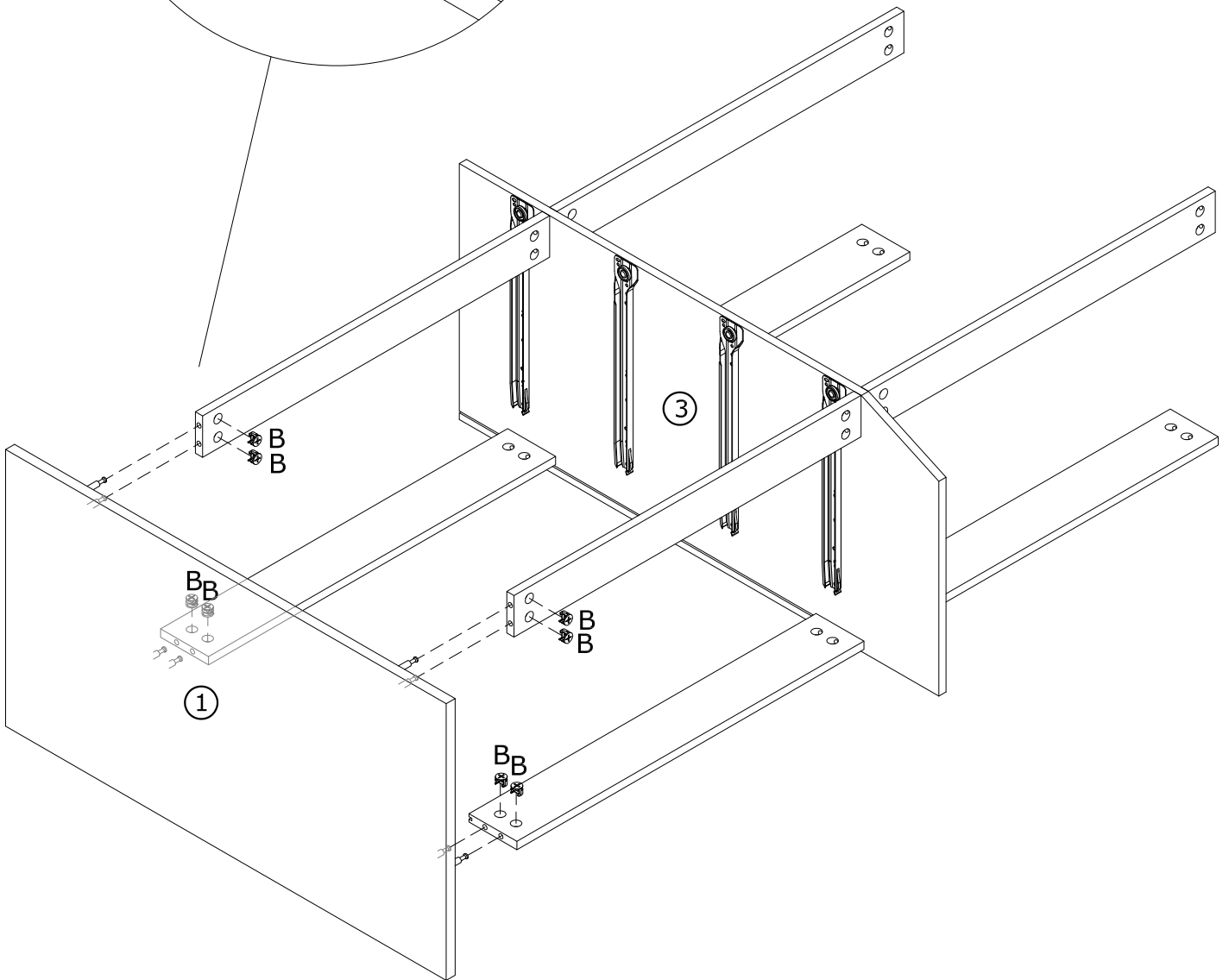
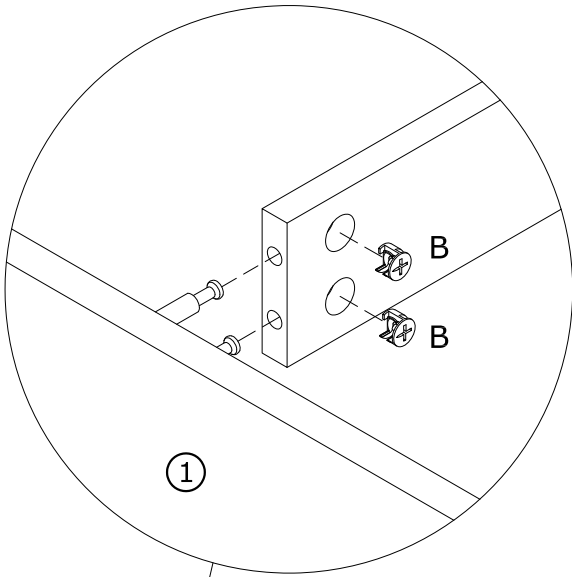


7

B




x8

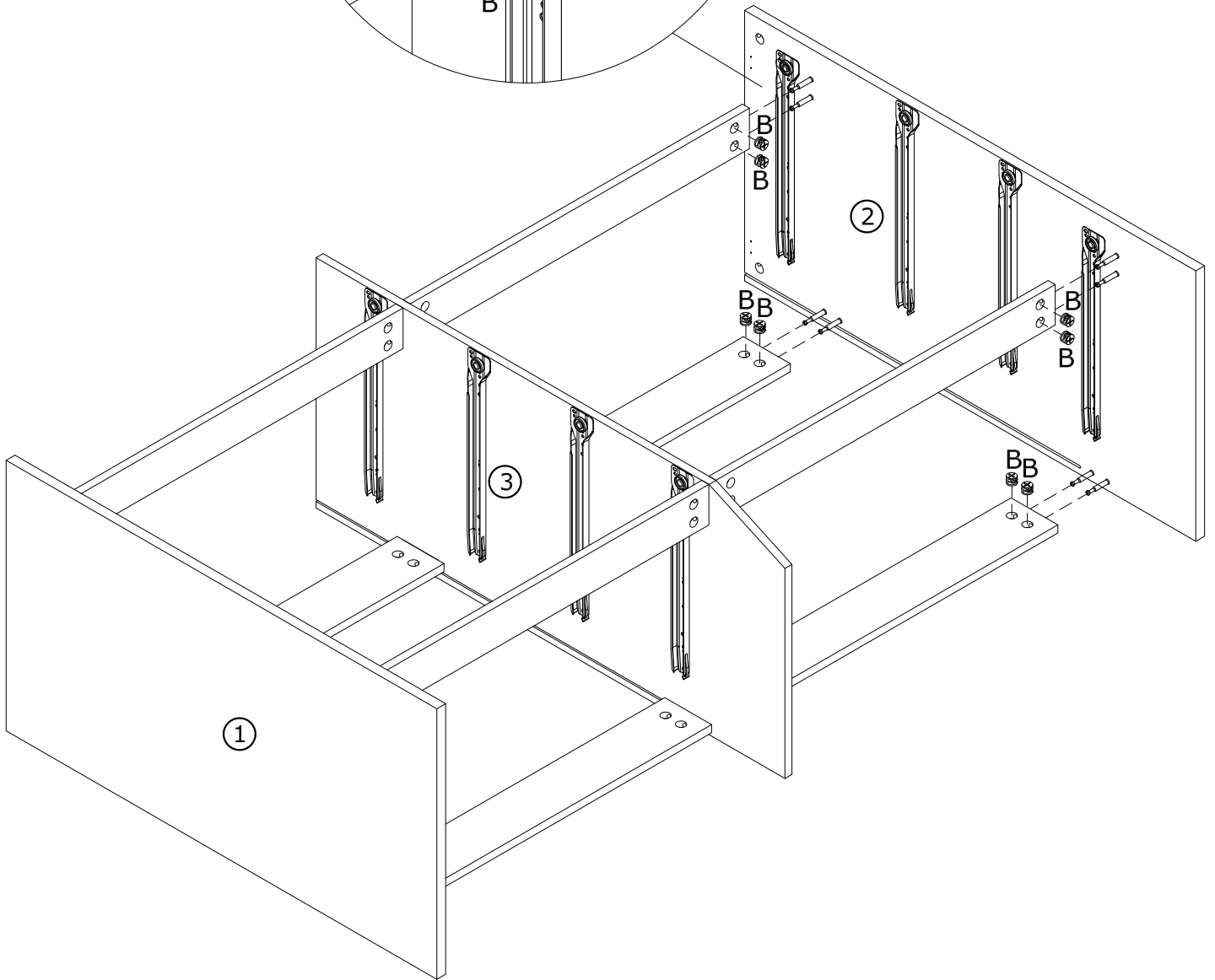
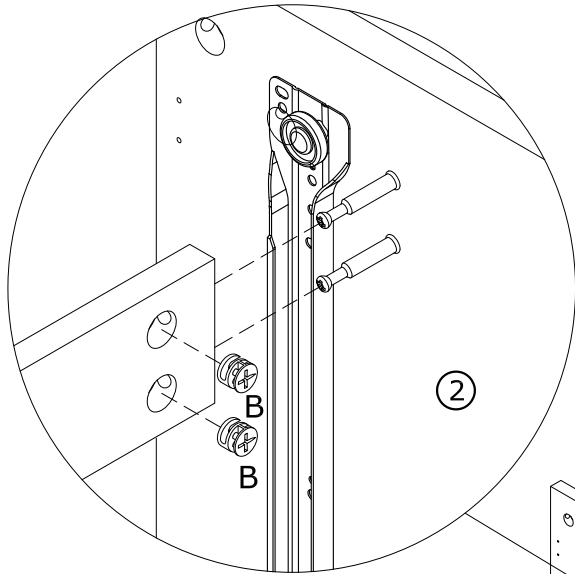


8

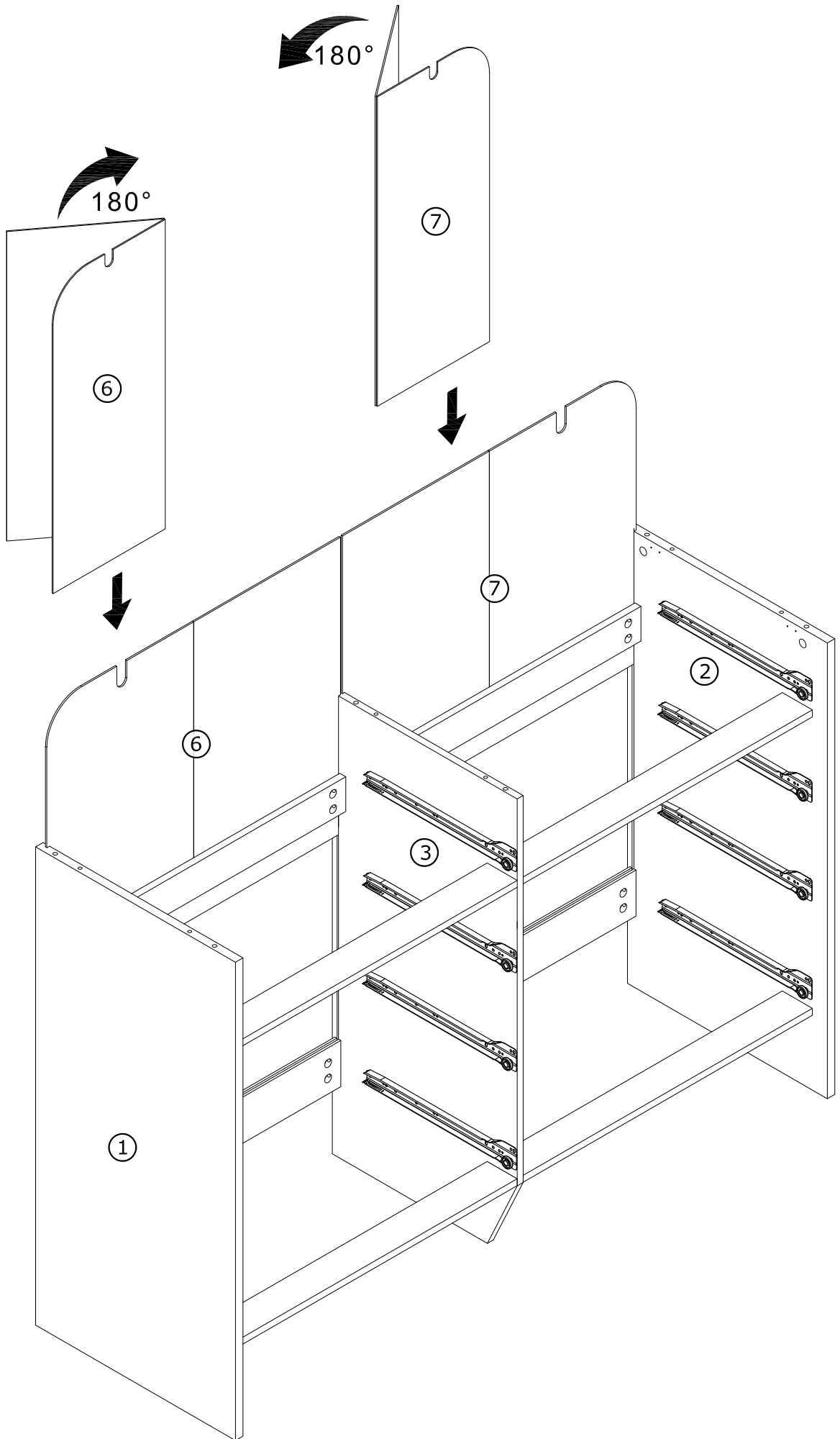
B



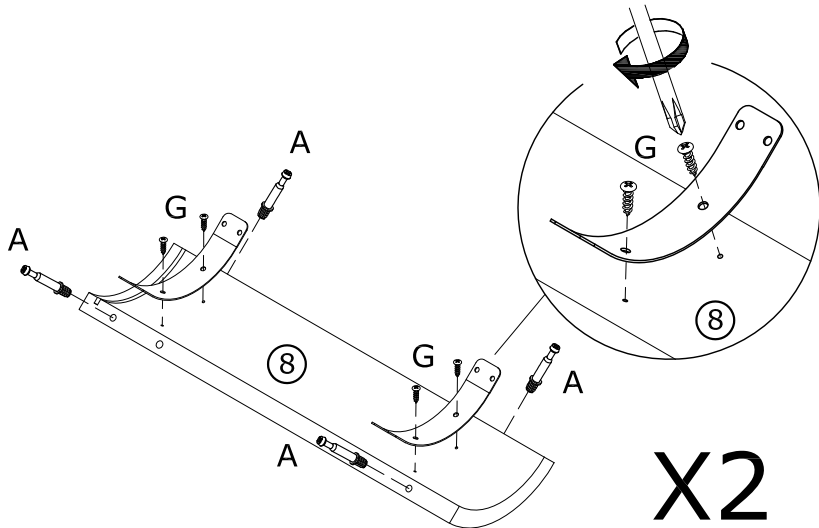
x8



9



10



A

x10

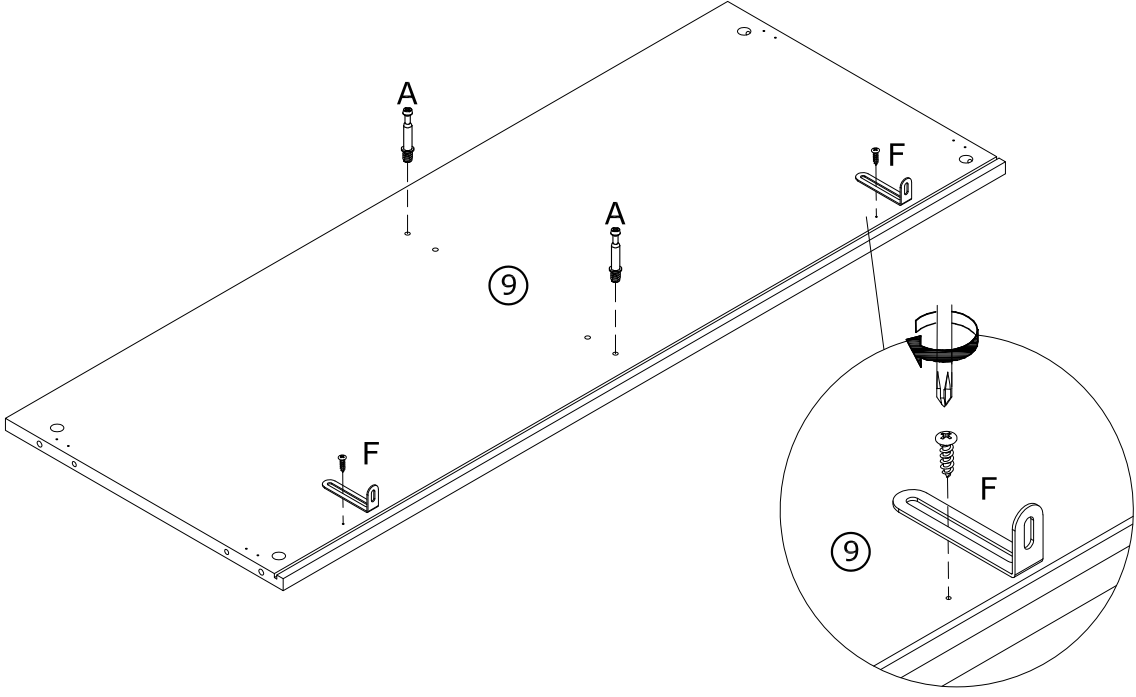
F

x2

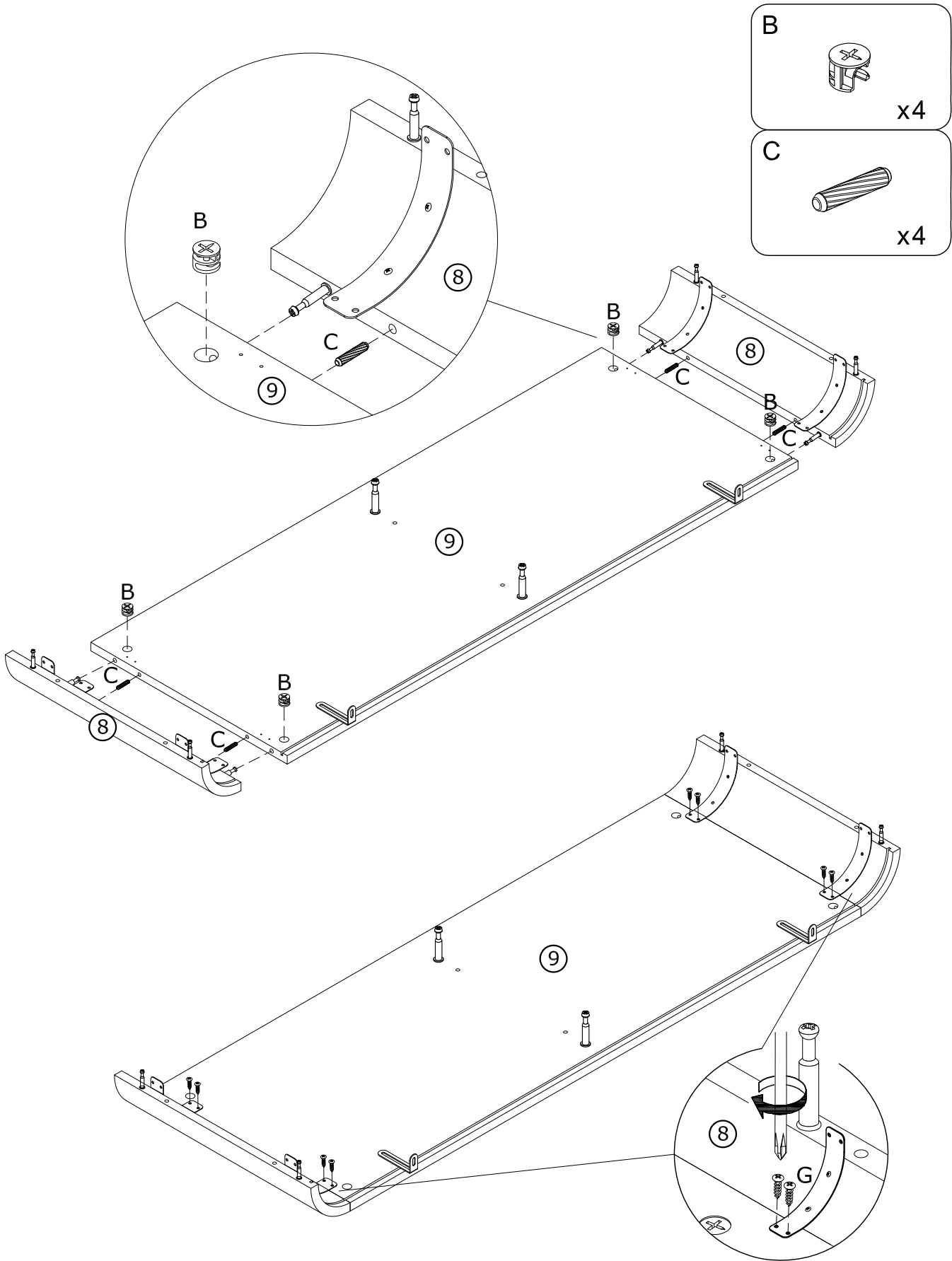
G

x4

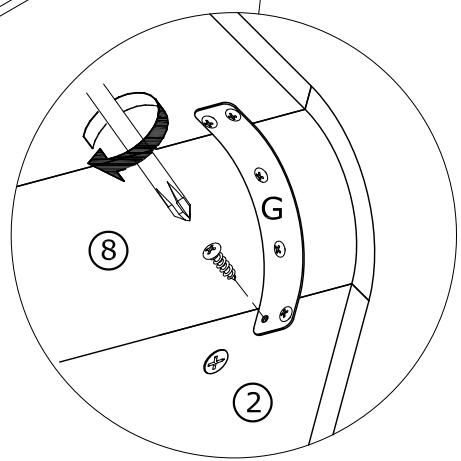
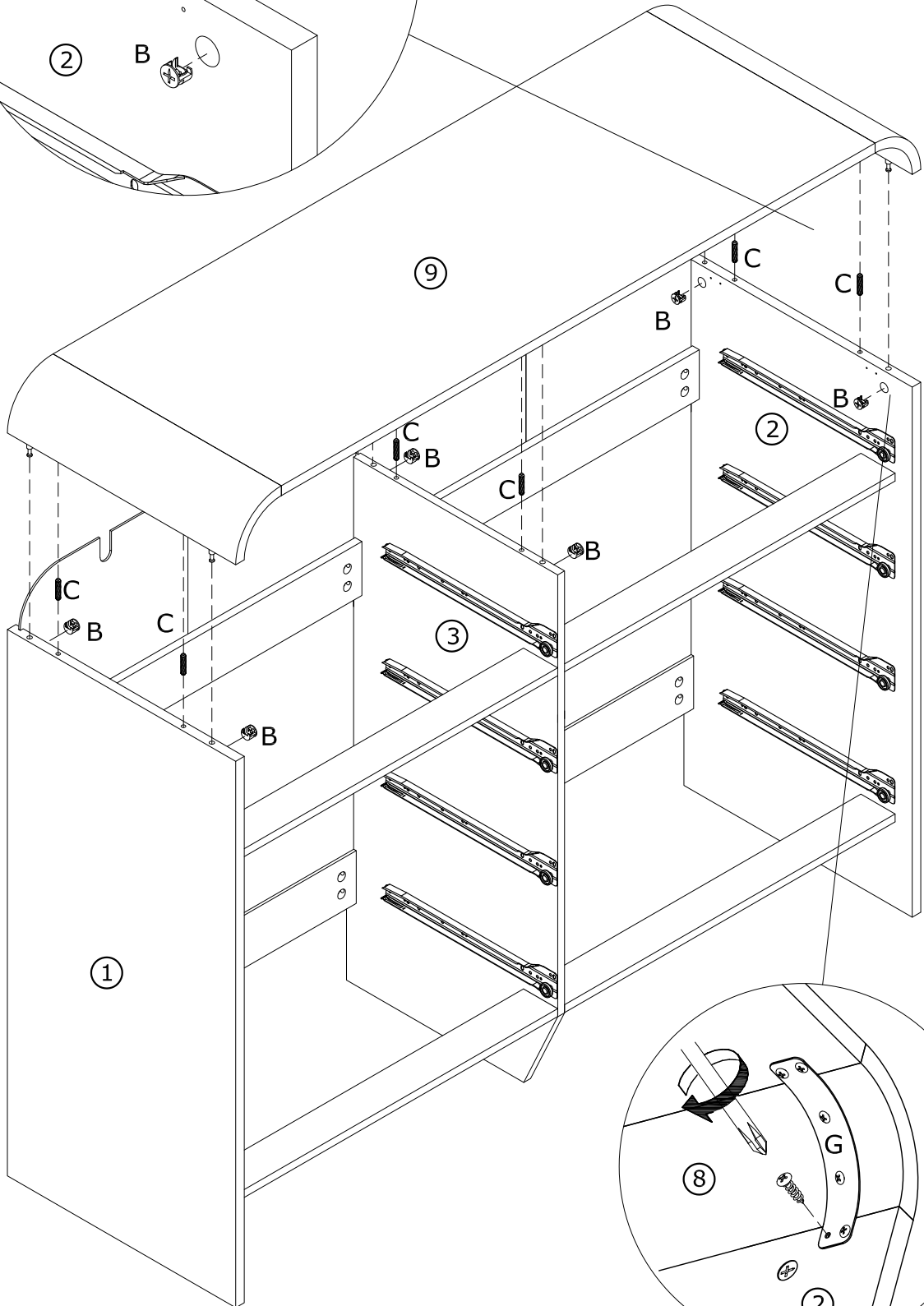
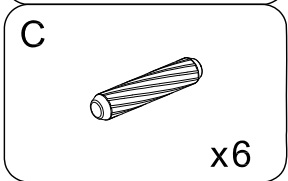
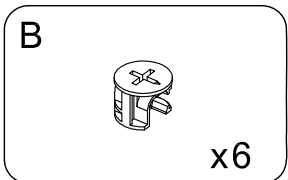
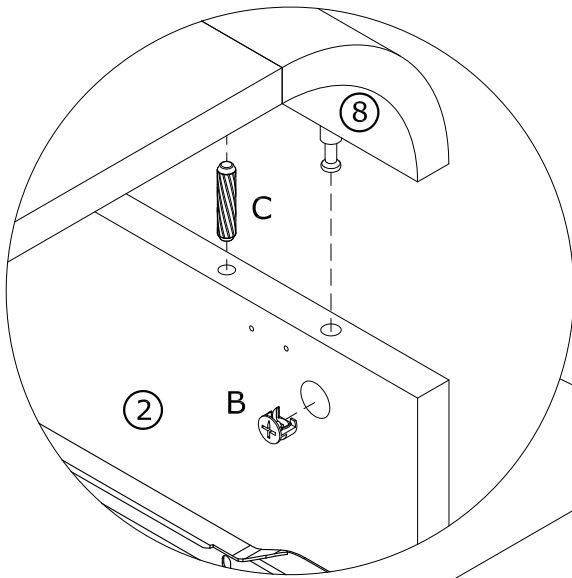
X2



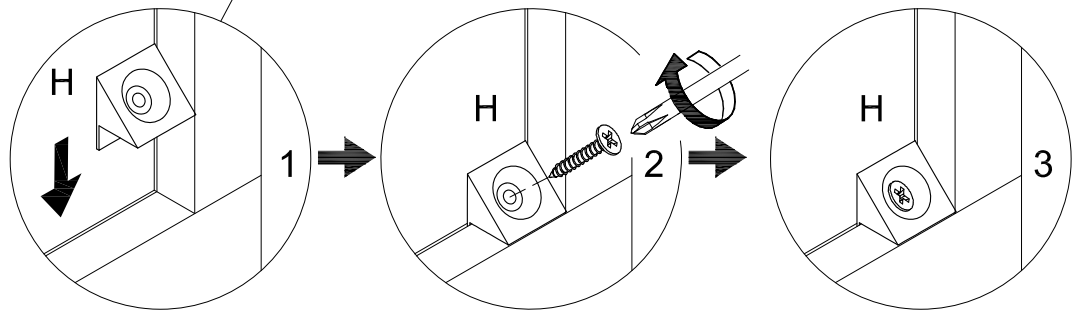
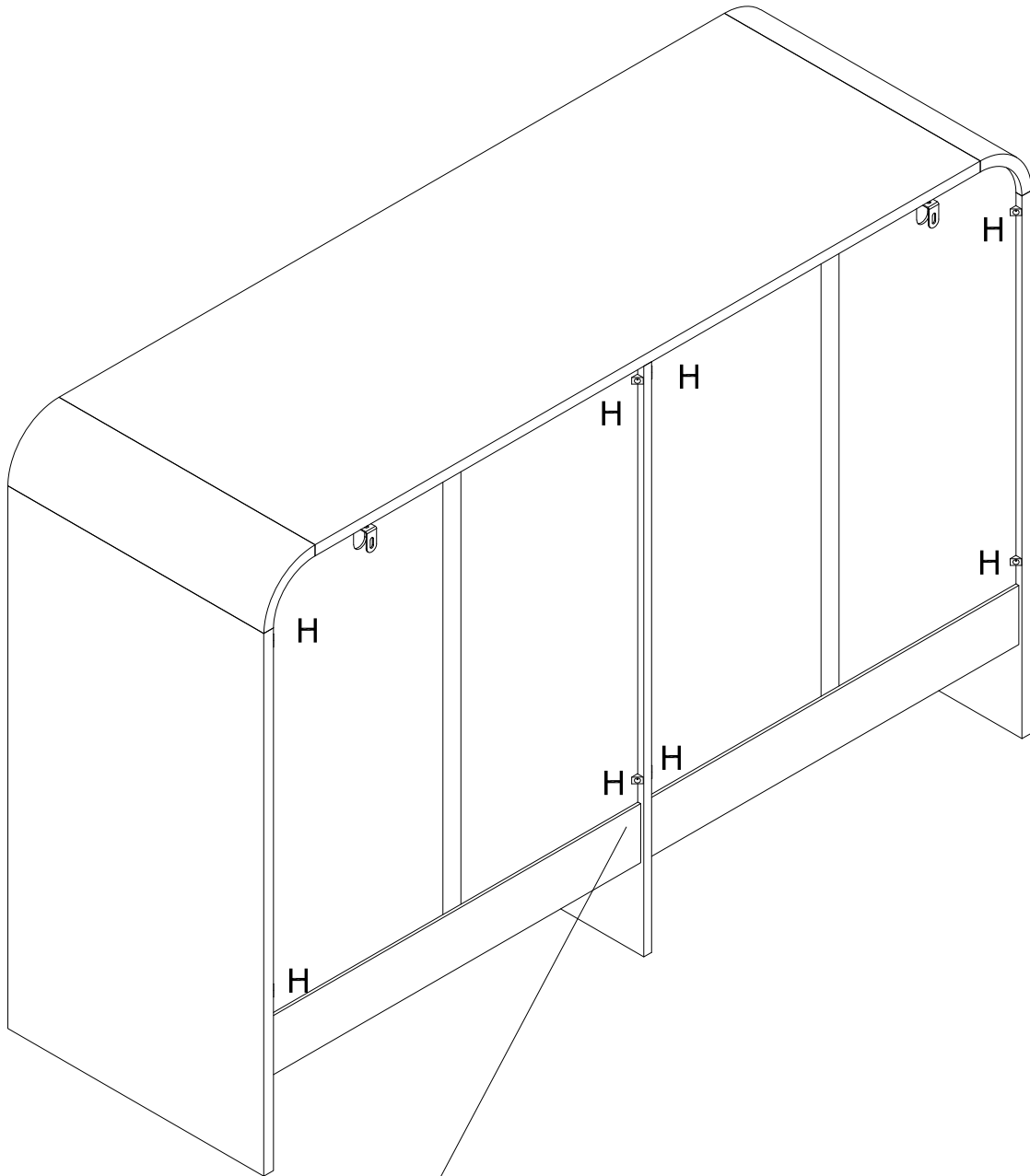
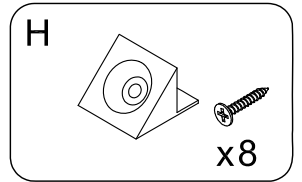
11



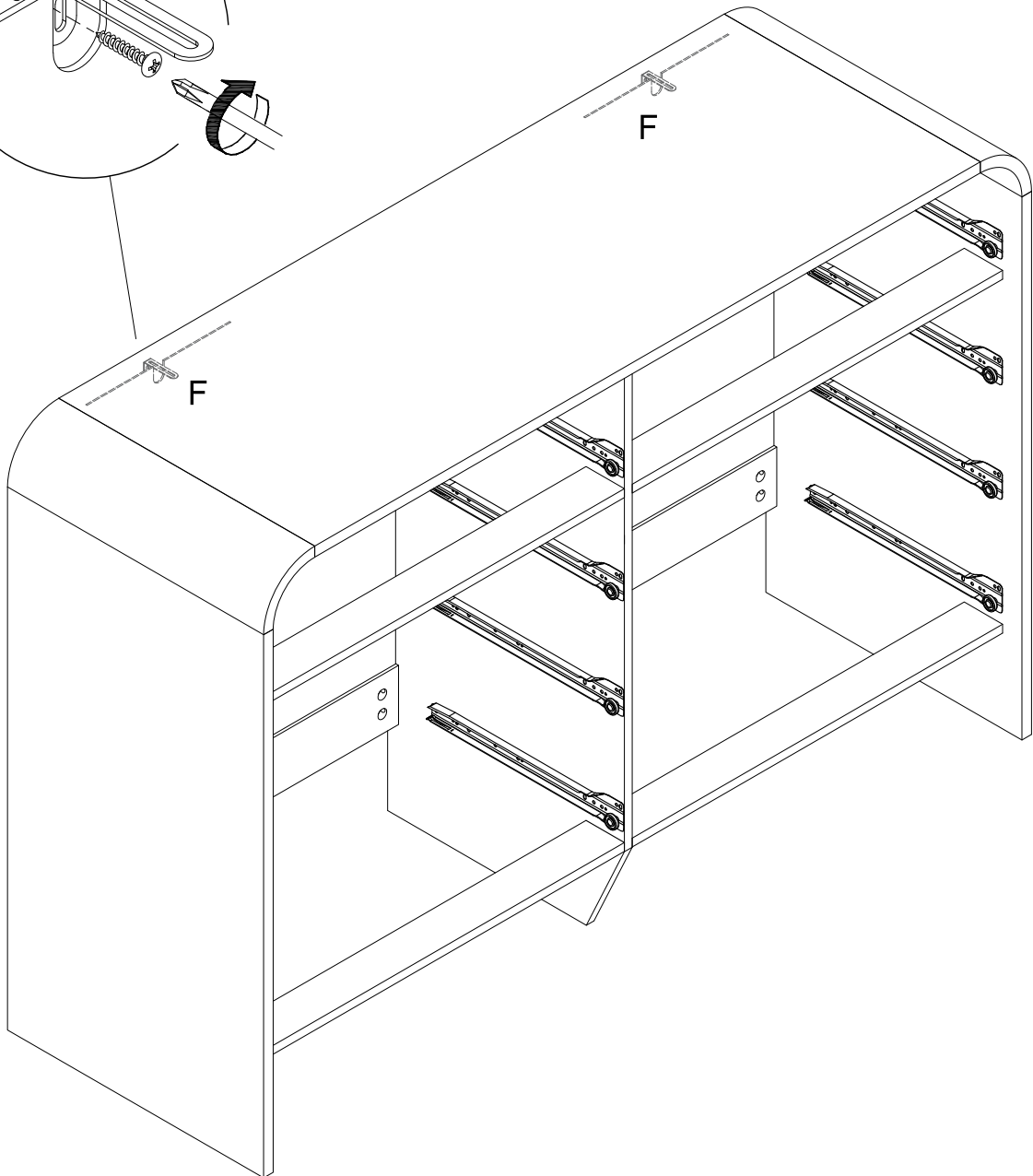
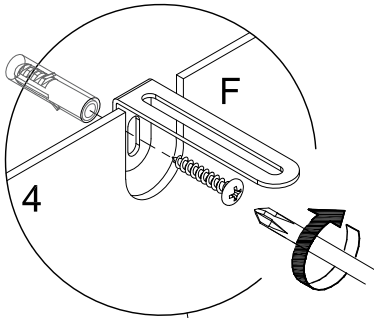
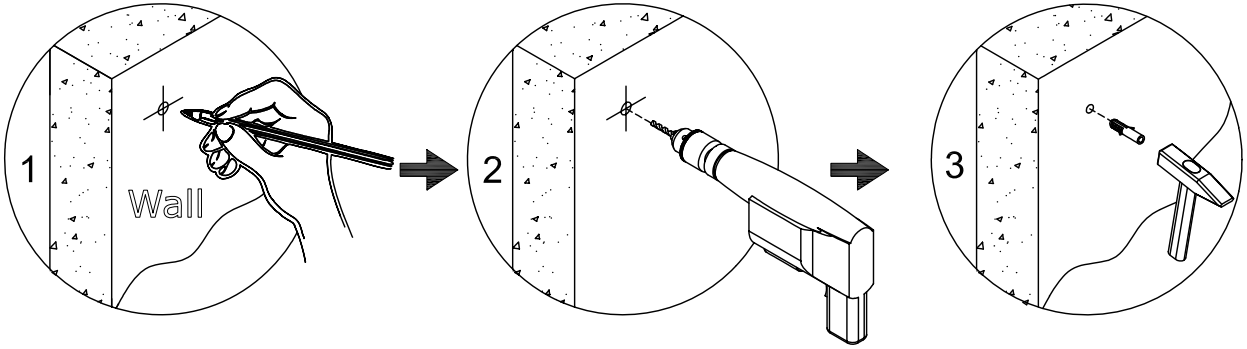
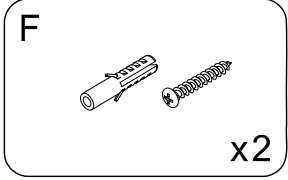
12



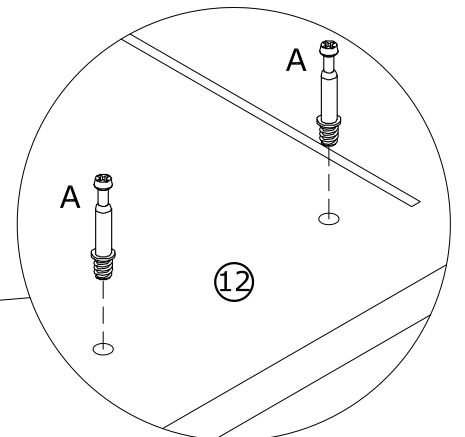
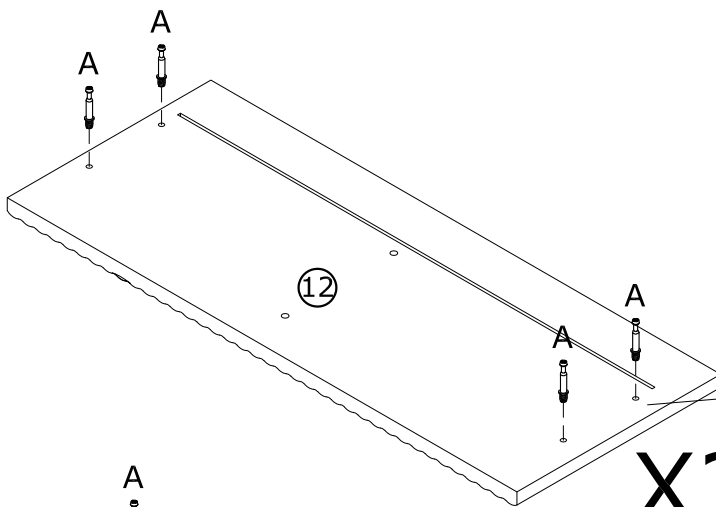
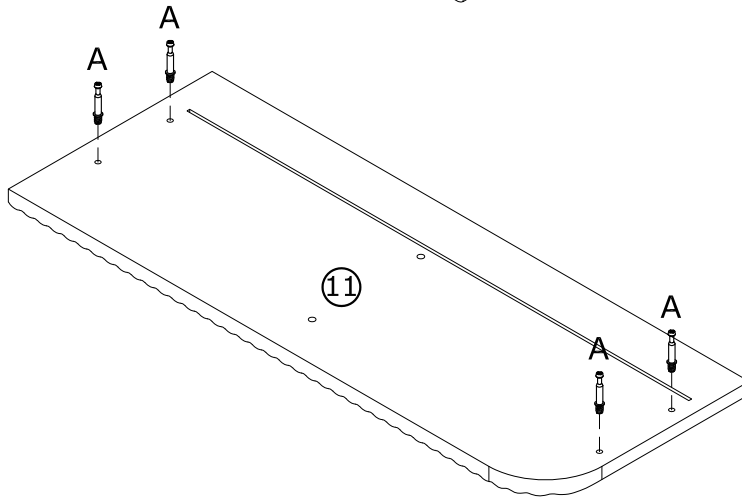
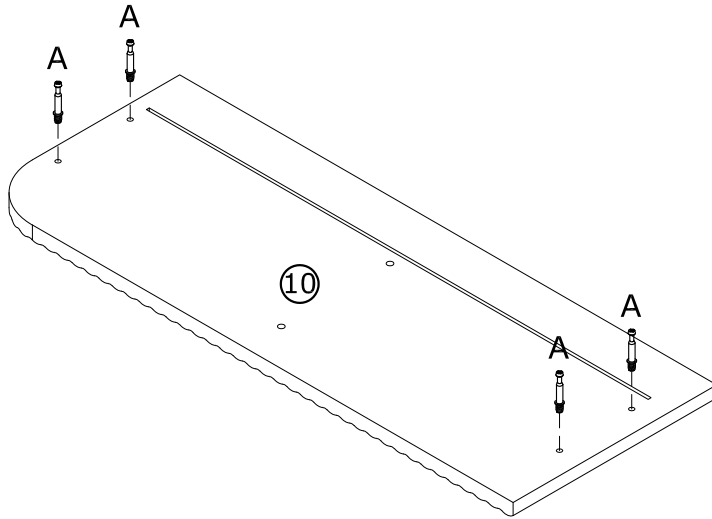
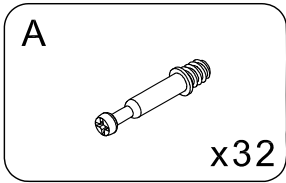
13



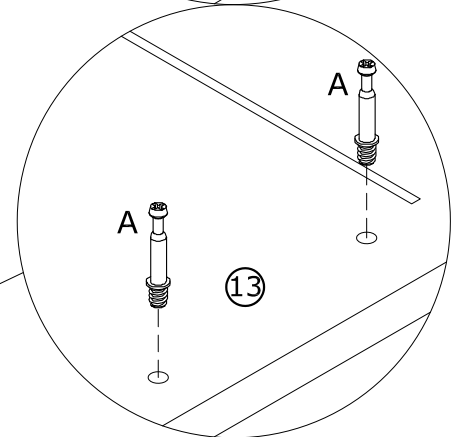
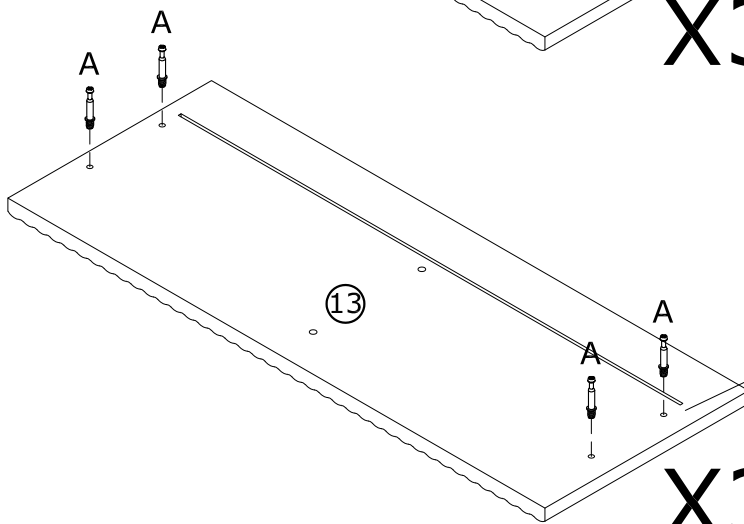
14



15

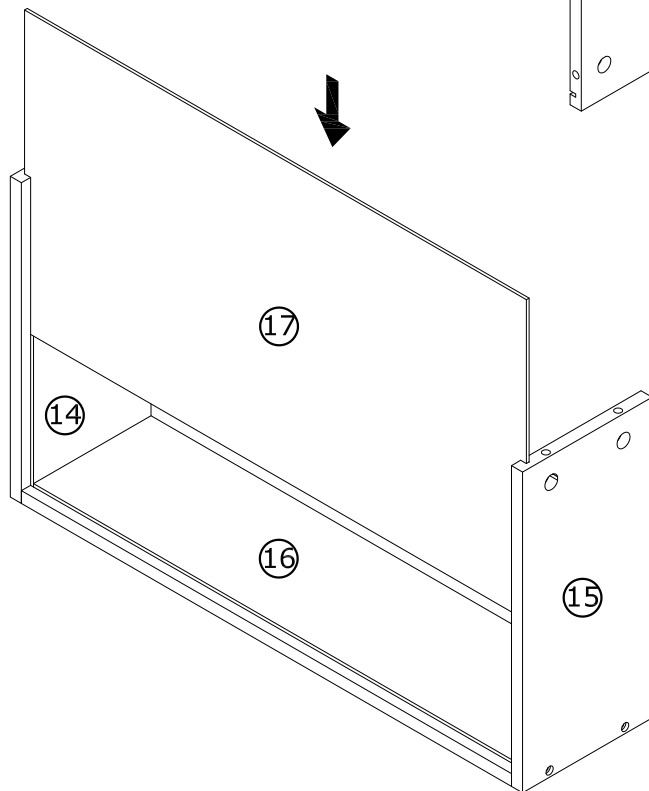
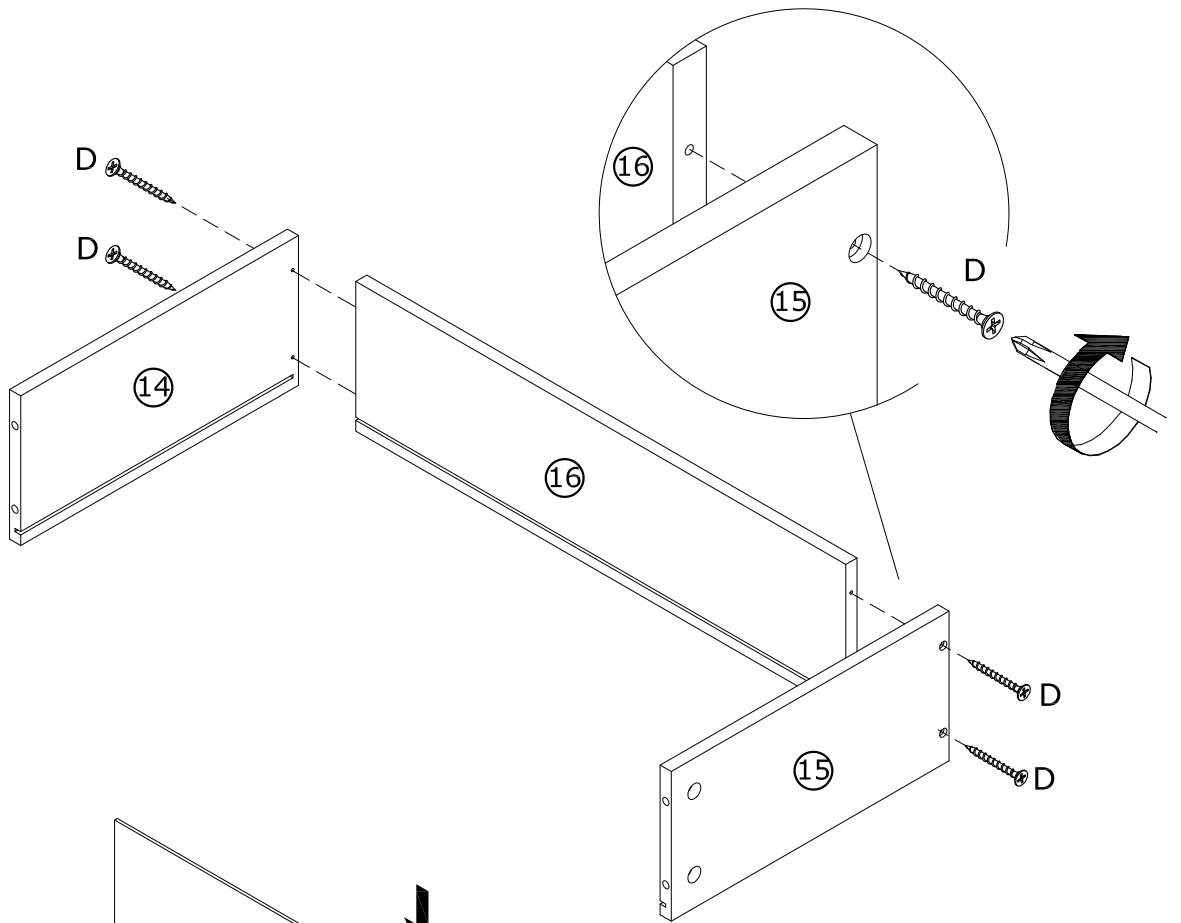
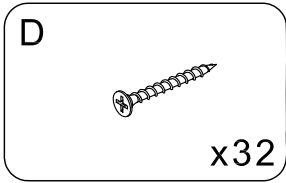


X3



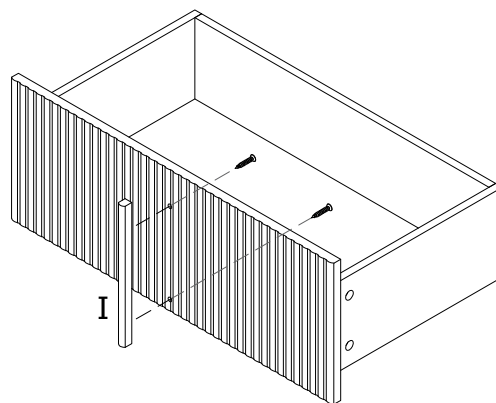
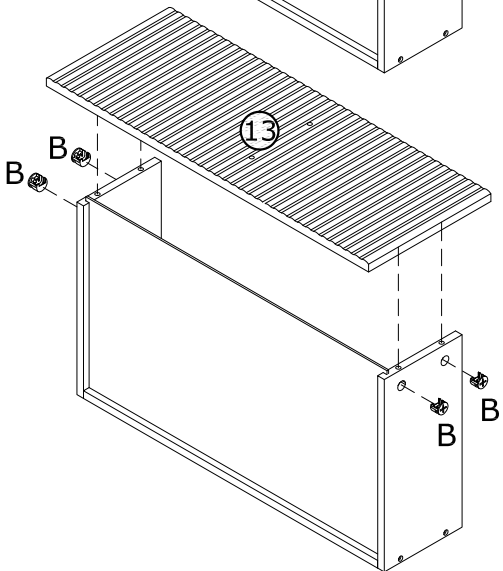
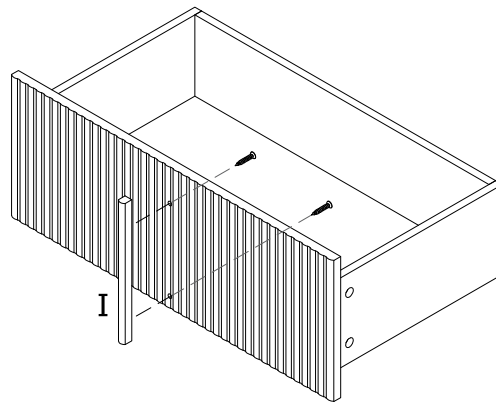
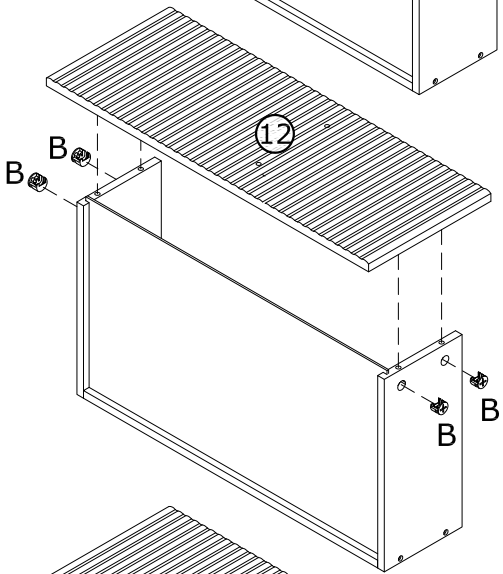
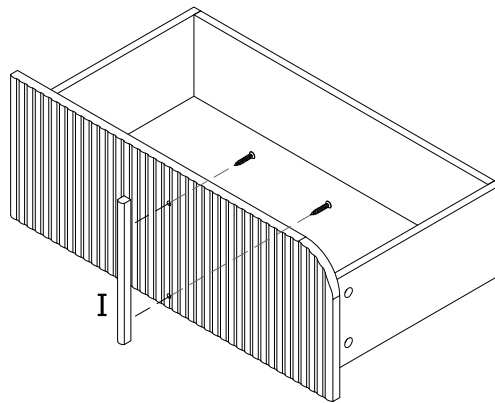
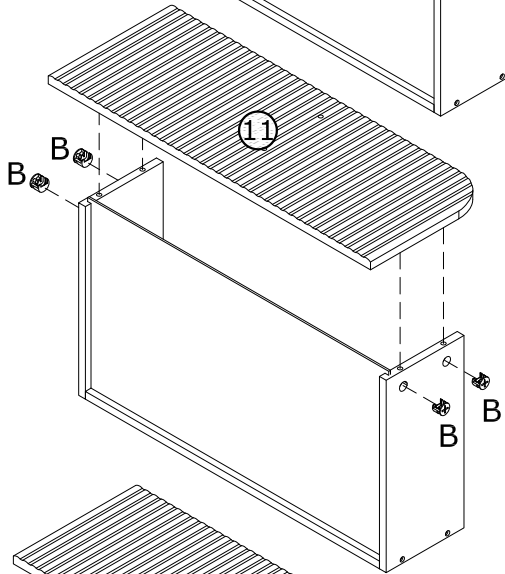
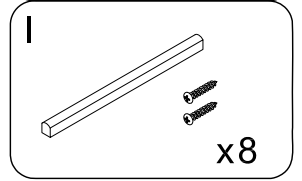
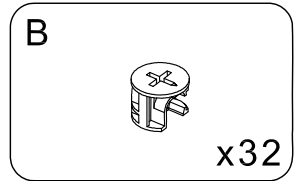
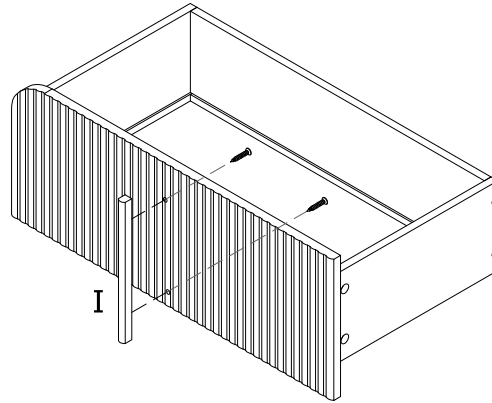
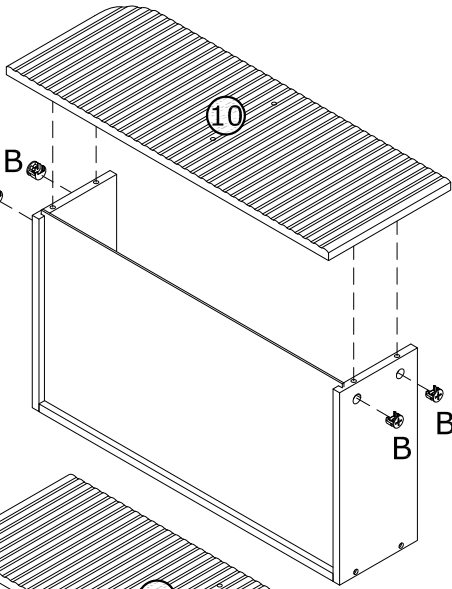
X3

16



X8

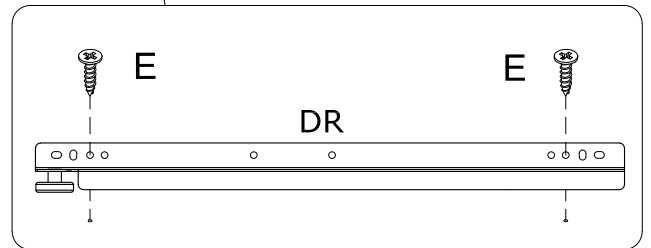
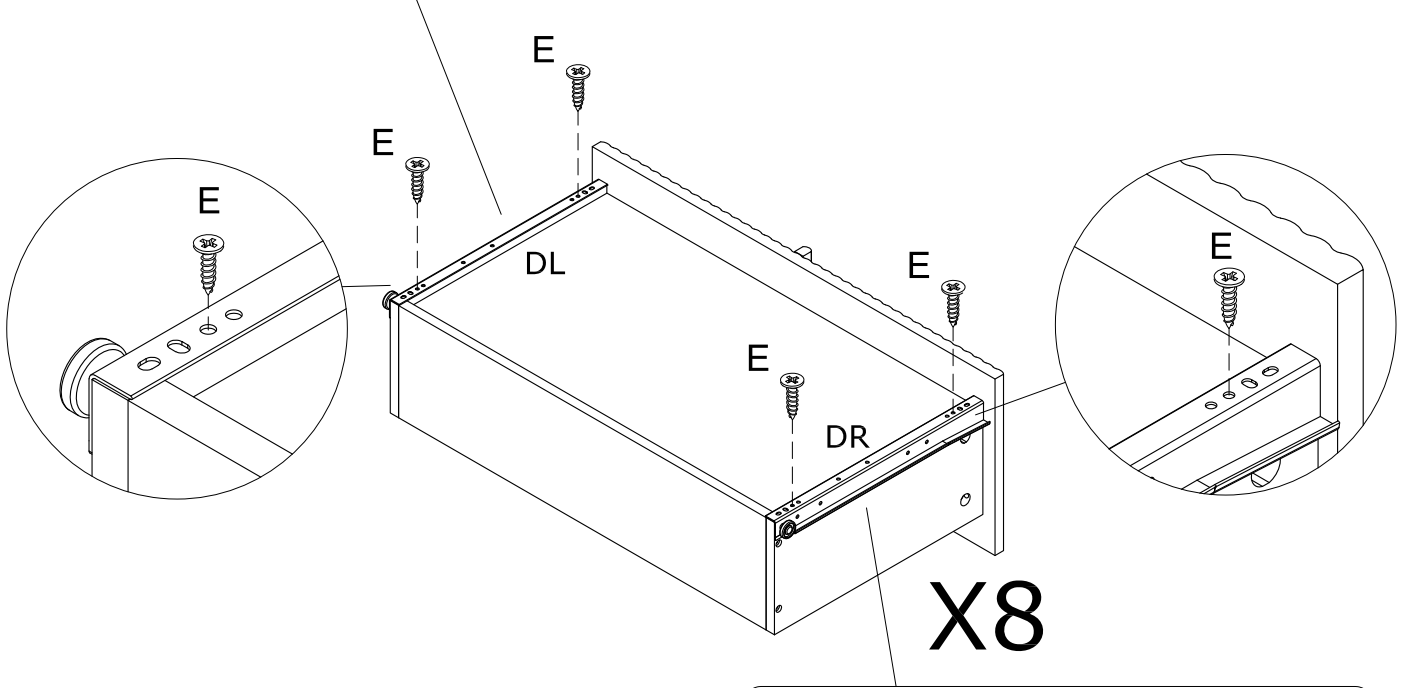
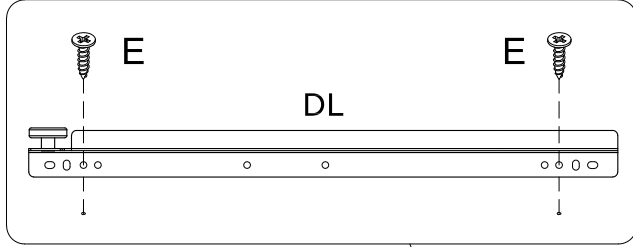
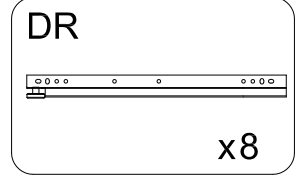
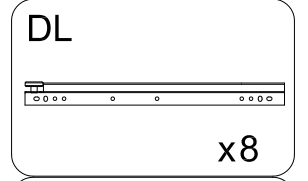
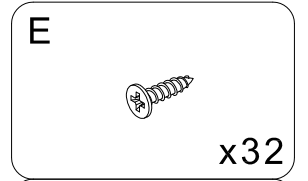
17




X3

X3

18



19

 Pay attention to the drawer number; do not place items incorrectly

