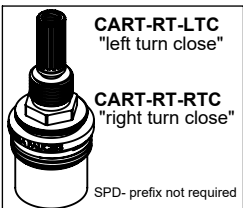
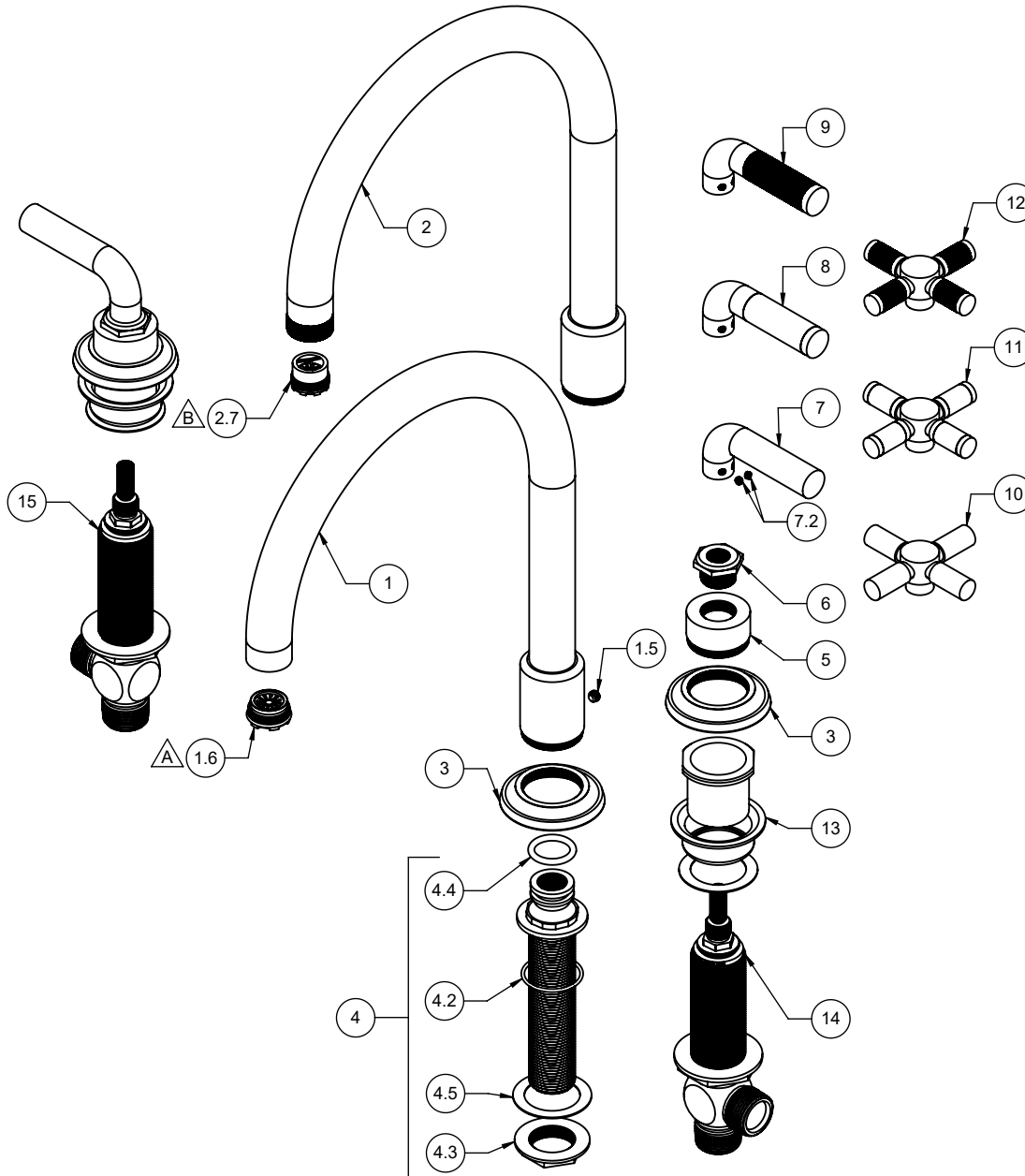


3108 3108X
3108F 3108XF
3108K 3108XK

△ REQUIRES ITEM 17
△ REQUIRES ITEM 18



3108 3108X
3108F 3108XF
3108K 3108XK

To order spare parts add and/or replace as stated below:

SPD- prefix added to part number(s)
-ZZ replaced with finish code (see finish table)
-WW replaced with **-90** (light finish) or **-96** (dark finish)

Ex: **SPD-7-100278-PC** or **SPD-86030-96**

| | ITEM | PART NO. | DESCRIPTION | QTY. |
|-----------------------|------|-------------|--|------|
| for 3108 / F / X / XF | 1 | 7-100312-ZZ | ASM, RT SPOUT - CANE - SMOOTH <i>(incl. 1.5, 1.6)</i> | 1 |
| | 1.5 | 86034-WW | SETSCREW 1/4-20 X 3/16 SCKT HD CUP PT SS | 1 |
| | 1.6 | 880249-81 | INSERT, STD, NEOSTRAHL FULL FLOW - CACHE | 1 |
| for 3108K / XK | 2 | 7-100313-ZZ | ASM, RT SPOUT - CANE - KNURL <i>(incl. 1.5, 2.7)</i> | 1 |
| | 2.7 | 880254-81 | INSERT, JUNIOR NEOSTRAHL FULL FLOW - CACHE | 1 |
| | 3 | 10363-ZZ | RING, BASE, TRAD | 3 |
| | 4 | 882206-98 | QC-63 FOR RS-65 <i>(incl. 4.2, 4.3, 4.4, 4.5)</i> | 1 |
| | 4.2 | 87231-80 | O-RING Ø31.47 X 1.78 (-026) EPDM A70 (NSF61-12 & WRAS) | 1 |
| | 4.3 | 882805-99 | FLANGE NUT, 3/4"-14 NPSM X 1.68 OD X .30 HT | 1 |
| | 4.4 | 87337-80 | O-RING Ø20.22 X 3.53 (-211) BUNA-N A70 | 1 |
| | 4.5 | 87297-82 | WASHER, FIBER, BLK Ø31.6 X Ø44.5 X 0.79MM | 1 |
| | 5 | 10751-ZZ | ESCUTCHEON, SCALLOPED | 2 |
| | 6 | 10760-ZZ | NUT, SCALLOPED ESCUTCHEON | 2 |
| for 31 series | 7 | 7-100146-ZZ | ASM, LEVER, 74 SERIES "BROACHED" <i>(incl. 7.2)</i> | 2 |
| | 7.2 | 86030-WW | SETSCREW 8-32 X 1/8 SCKT HD CUP PT SS | 2 |
| for 31F series | 8 | 7-100277-ZZ | ASM, CARBON FIBER LEVER <i>(incl. 7.2)</i> | 2 |
| for 31K series | 9 | 7-100271-ZZ | ASM, KNURLED LEVER <i>(incl. 7.2)</i> | 2 |
| for 31X series | 10 | 7-100291-ZZ | ASM, INDUSTRIAL X-HDL SMOOTH <i>(incl. 7.2)</i> | 2 |
| for 31XF series | 11 | 7-100292-ZZ | ASM, INDUSTRIAL X-HDL CARBON FIBER <i>(incl. 7.2)</i> | 2 |
| for 31XK series | 12 | 7-100293-ZZ | ASM, INDUSTRIAL X-HDL KNURLED <i>(incl. 7.2)</i> | 2 |

| | ITEM | PART NO. | DESCRIPTION | QTY. |
|--------------|------|-----------|---|------|
| | 13 | 6-200297 | KIT, RT INV NUT - 2 SETS (1 SET - 6-200297-1) | 1 |
| | 14 | 6-200081 | ASM, COLD-RT BODY, CART & NUT (LTC) <i>(incl. CART-RT-LTC)</i> | 1 |
| | 15 | 6-200082 | ASM, HOT-RT BODY, CART & NUT (RTC) <i>(incl. CART-RT-RTC)</i> | 1 |
| | 17 | 223473-99 | KEY, STD CACHE AERATOR INSERT | 1 |
| | 18 | 880255-81 | KEY, JR AERATED CACHE | 1 |
| for ITEM 1.5 | 19 | 882044-99 | KEY, ALLEN, 1/8", BLACK | 1 |
| for ITEM 7.2 | 20 | 882042-99 | KEY, ALLEN, 5/64", BLACK | 1 |