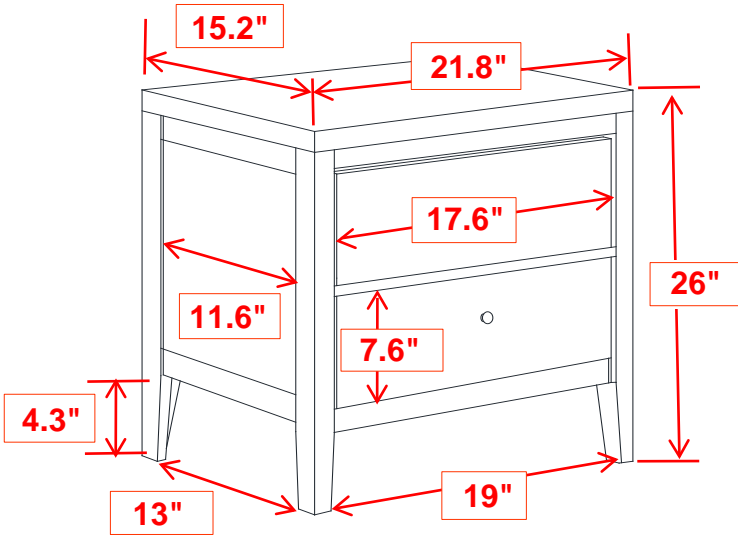


**INNER SIZE OF DRAWER : 5.2" x 12.48" x 15"**



**Note :** Dimension tolerance  $\pm 5\%$