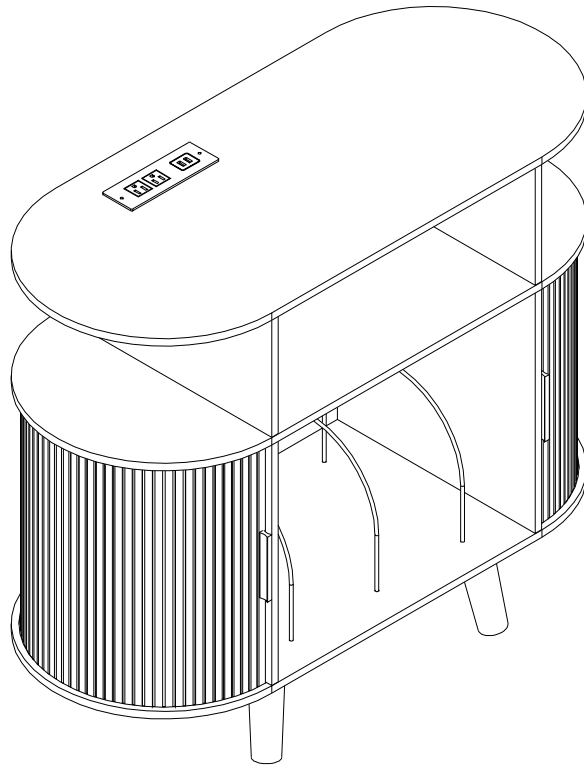


# Installation Instruction

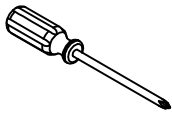


# Assembling

---

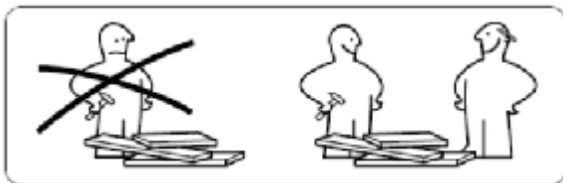
## What you need

- Use the packaging carton as a working surface to prevent product damage during assembly
- Phillips head screwdriver



## Weight Limitation

 **100** | **35**  
lbs table top      lbs per



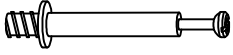
# What' included

---

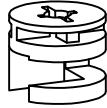
Code Description	Qty
A Cam Bolt M6X35MM	8
B Cam Lock 15X10MM	8
C Wooden Dowel M6X30MM	16
D Screw M4X40MM	10
E Screw M3.5X12MM	22
F Metal shake handhandle	2
G Nylon Strap	2
H Screw M3.5X12MM	14
I Foot nail	4
J The back button	12
K Anchor	2
L Extension cord	1
M Five hole iron sheet	4
N Cam Bolt M4X8MM	4
O Hole position sticker	8

# The Hardwares

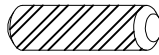
(A)



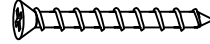
(B)



(C)



(D)



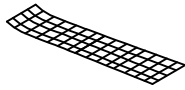
(E)



(F)



(G)



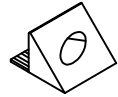
(H)



(I)



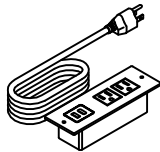
(J)



(K)



(L)



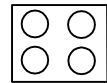
(M)



(N)



(O)



## IMPORTANT:

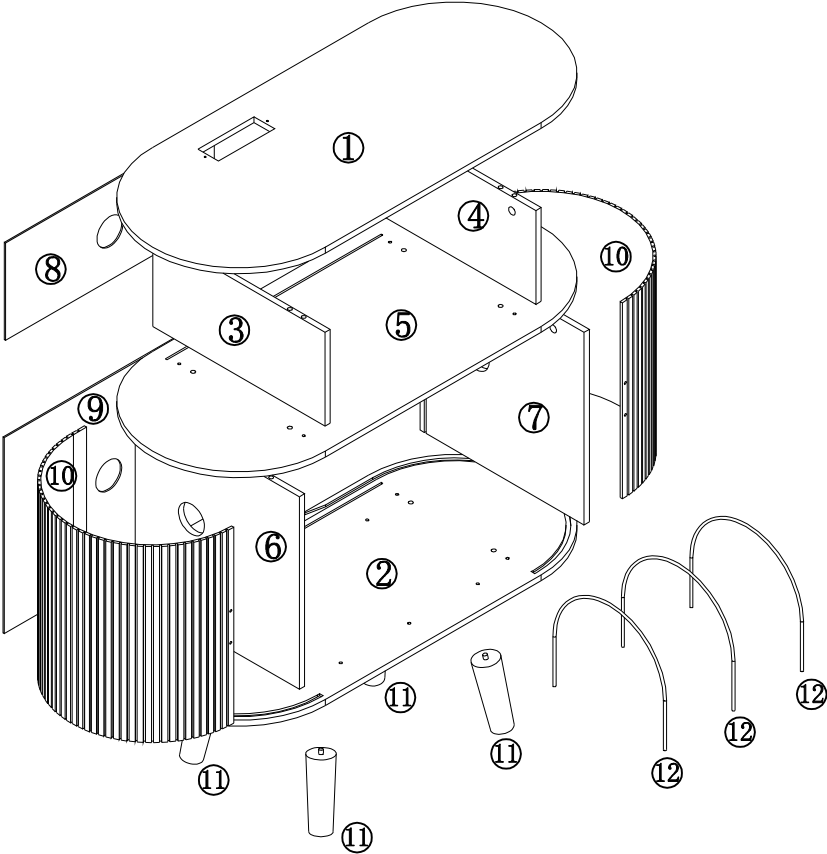
1. Do not tighten bolts / screws completely until all bolts / screws are lined up and inserted into holes.
2. Do not over tighten screws and bolts to avoid stripping
3. Please use hand tools to assemble this product, you can also use power tools (please use power tools carefully)

# Included Accessories

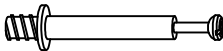

---

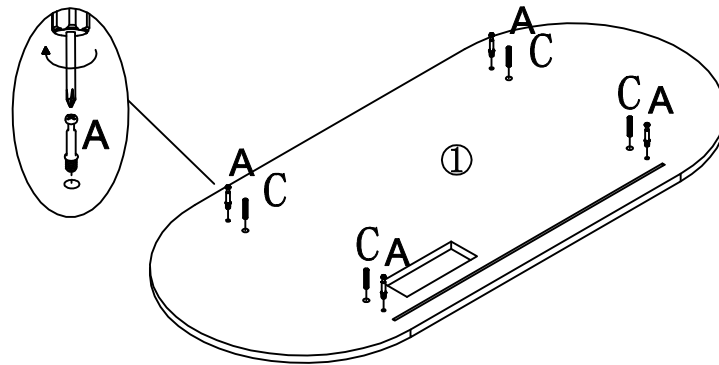
Code	Description	Qty
1	Cabinet Top	1
2	Bottom Panel	1
3	Superior left side plate	1
4	Superior right side plate	1
5	Laminate	1
6	Inferior left side plate	1
7	Inferior right side plate	1
8	Epigonotum	1
9	Hypotergite	1
9	Lower middle side plate	1
10	Coaming panel	2
11	Solid wood foot	4
12	Circular bar	3

# The Accessoriess

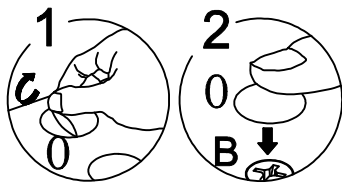



# Step 1

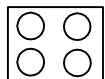
A	x4	C	x4
			

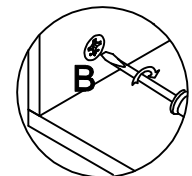
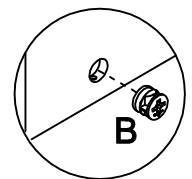
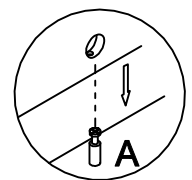
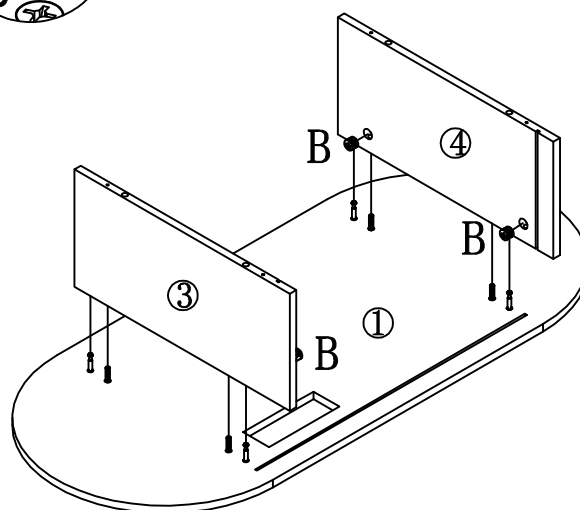


# Step 2

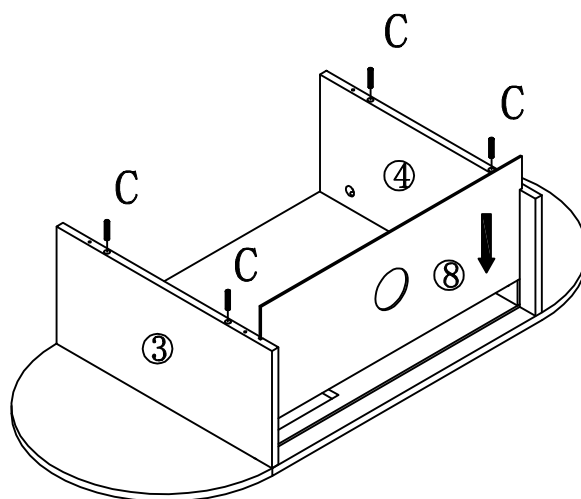
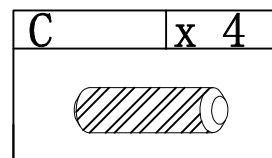


B	x 4
	

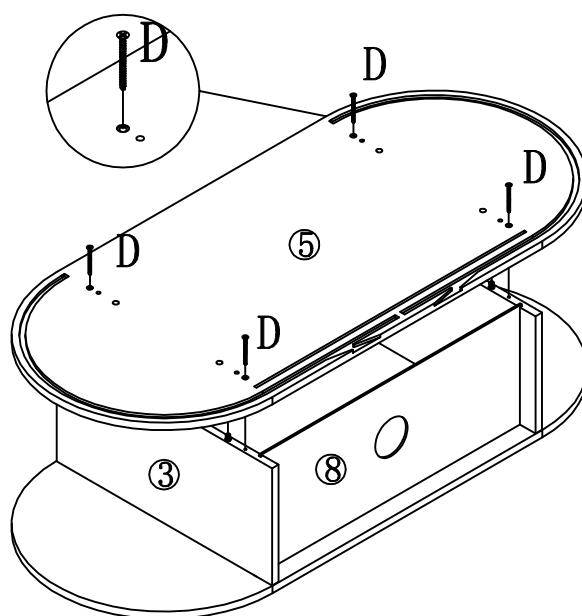
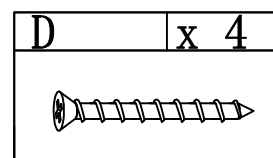
0	x 4
	



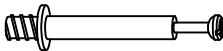

# Step 3

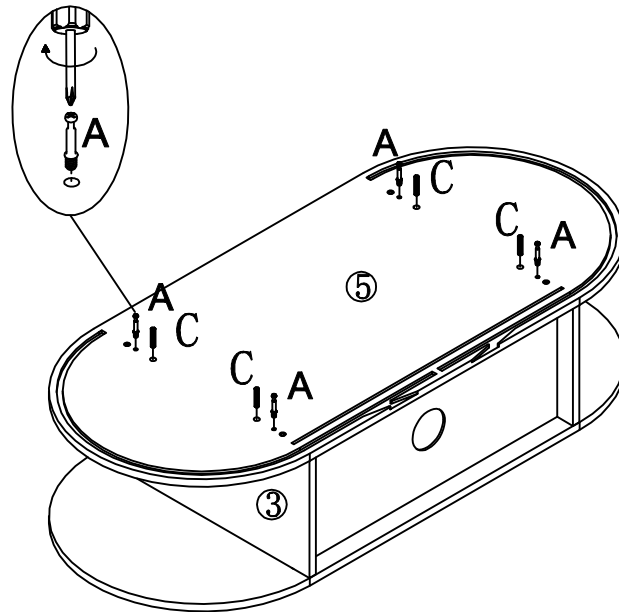


# Step 4

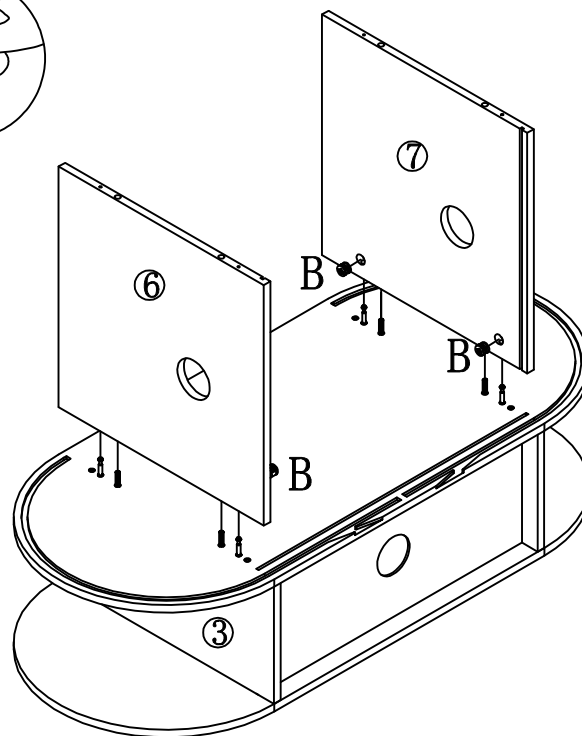
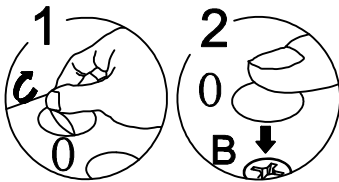



# Step 5

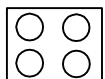
A	x 4	C	x4
			

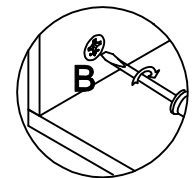
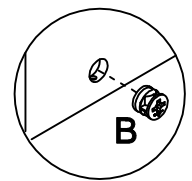
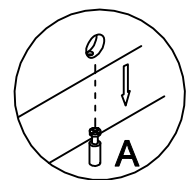


# Step 6

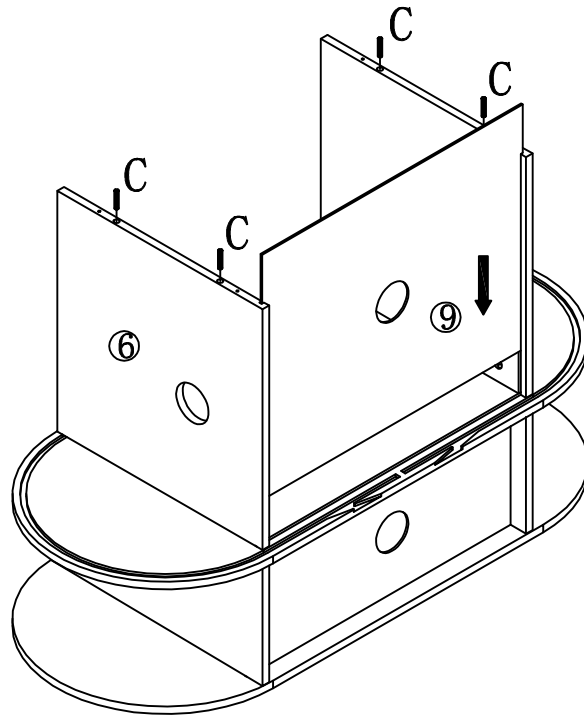
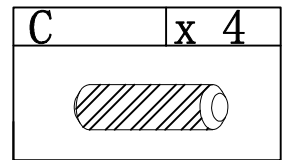


B	x 4
	

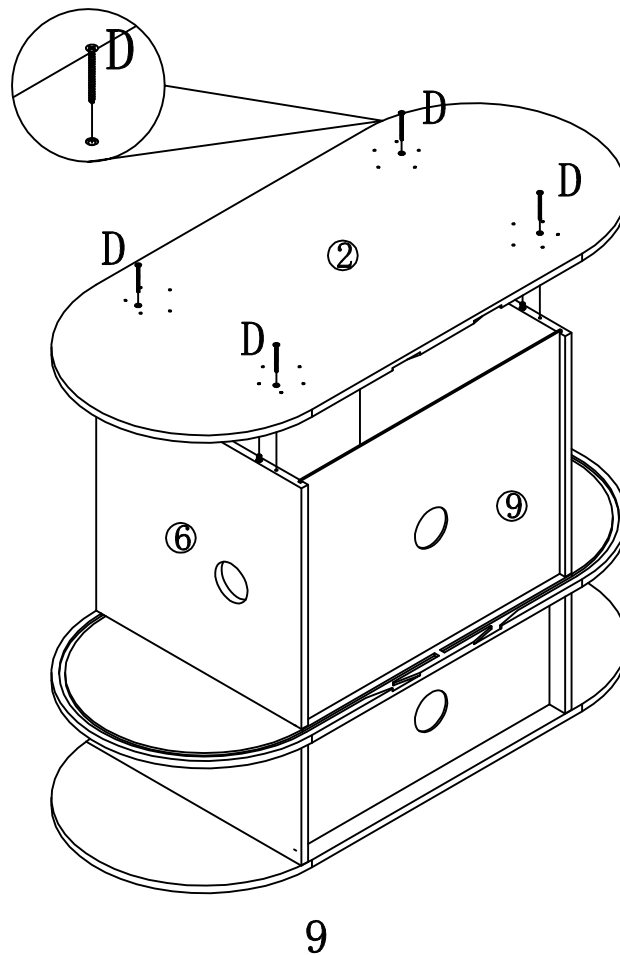
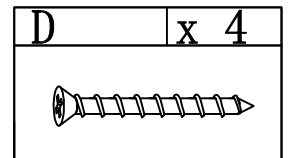
0	x 4
	



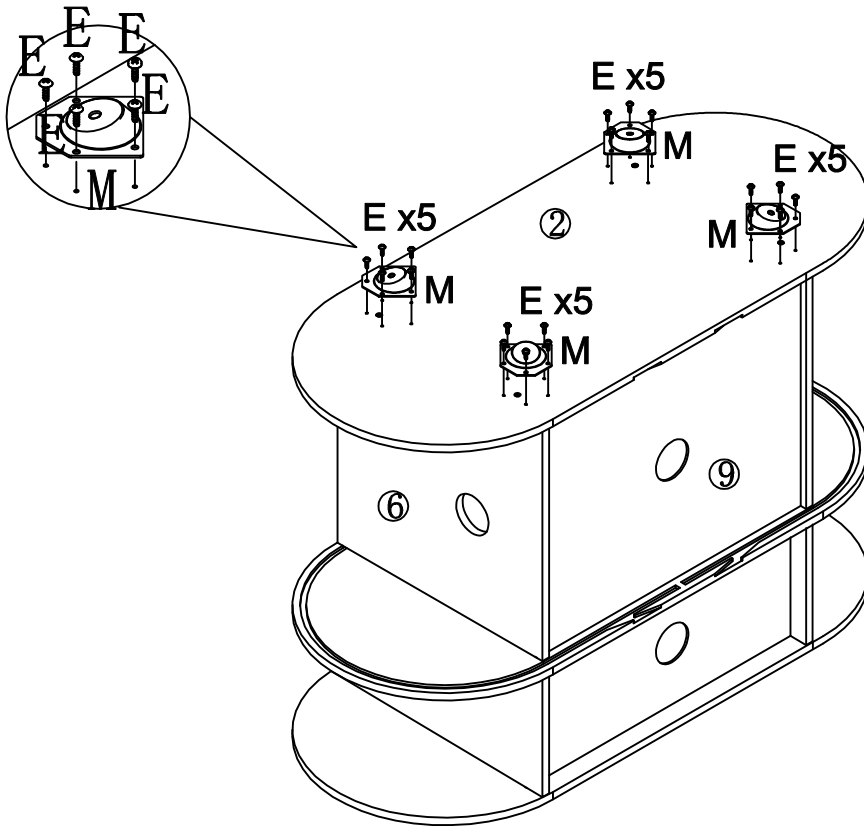
# Step 7




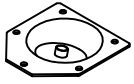
# Step 8



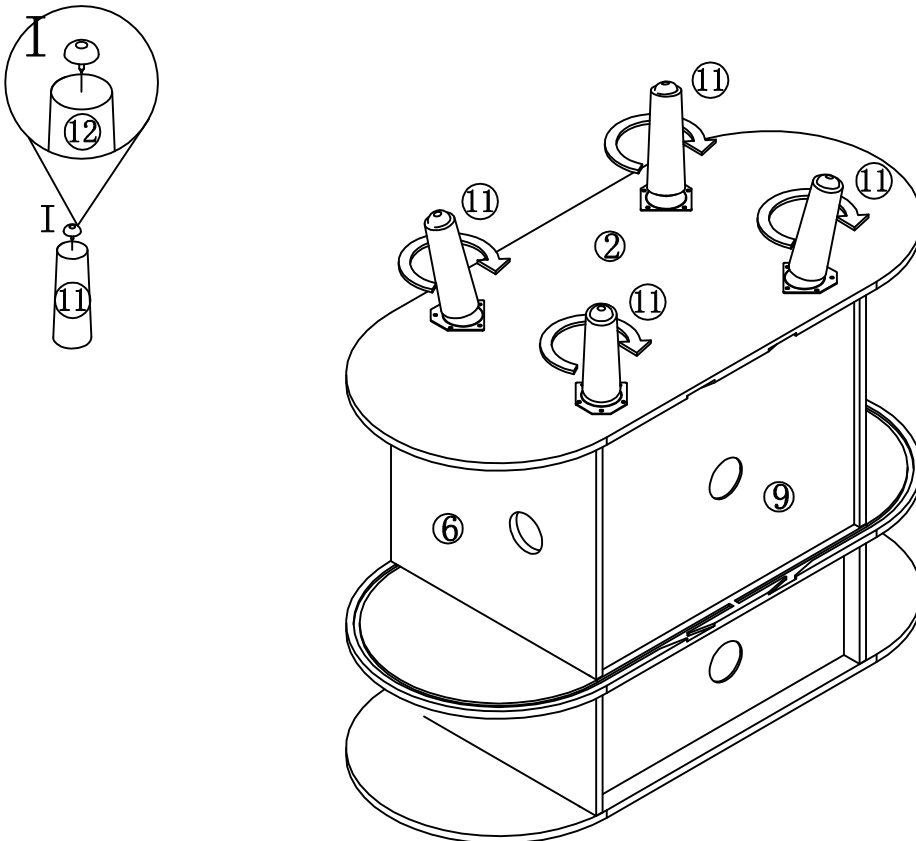
# Step 9




E	x 20
	

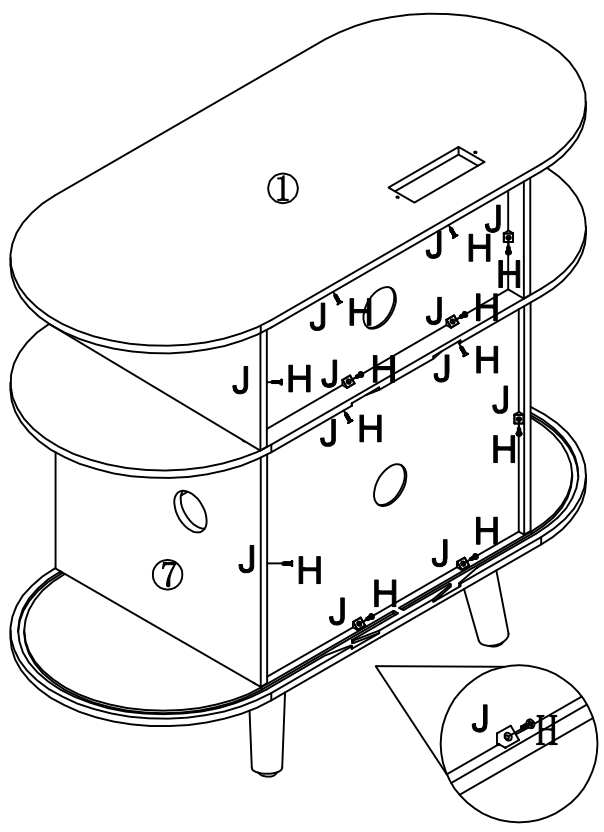
M	x 4
	

# Step 10



I	x 4
	

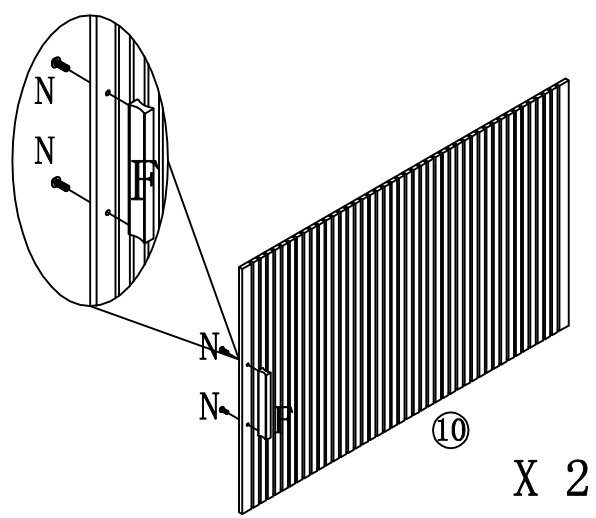
# Step 11



H	x 12

J	x 12

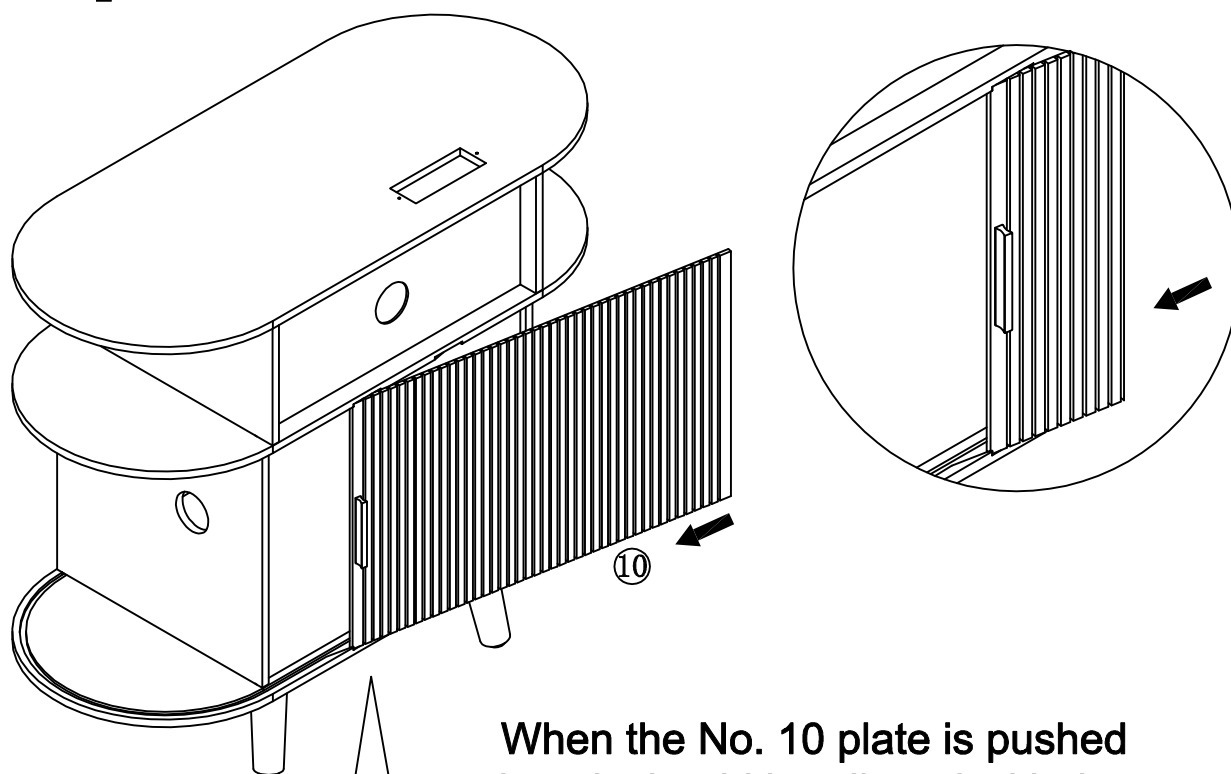
# Step 12



F	x 2

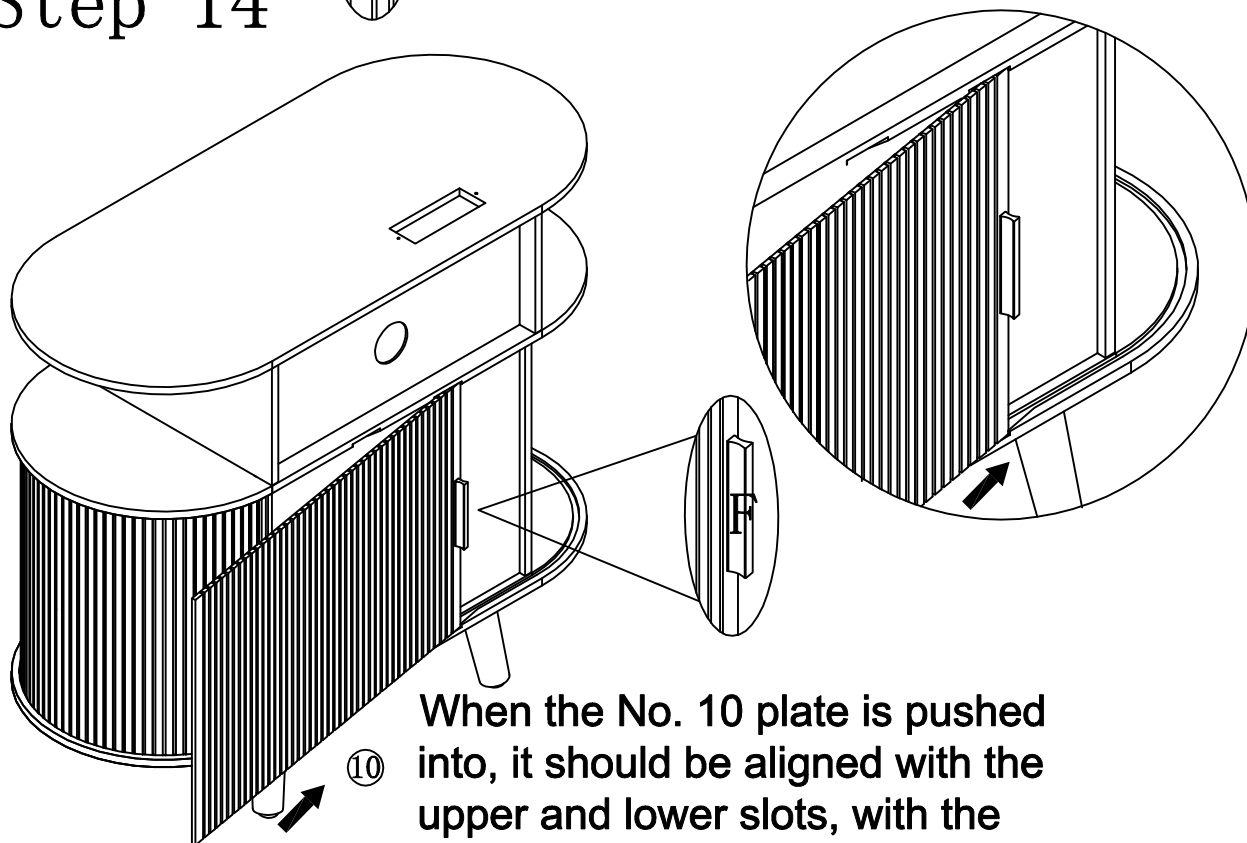
N	x 4

# Step 13



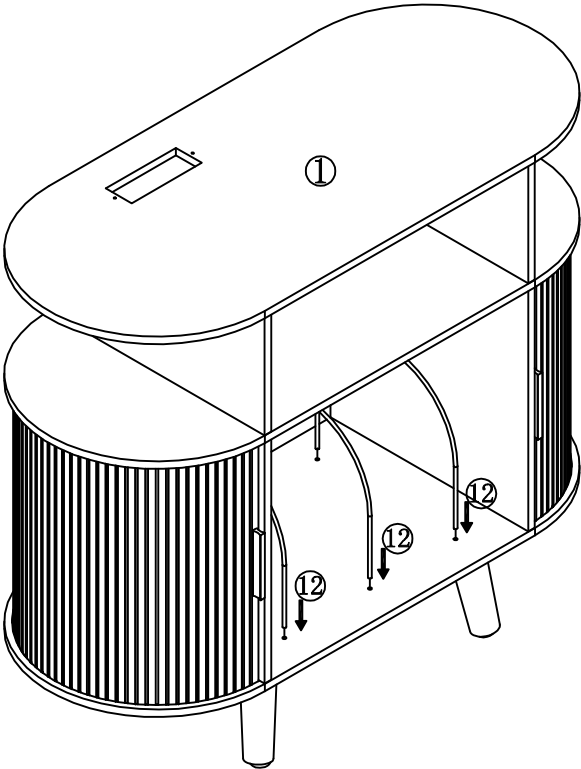
When the No. 10 plate is pushed into, it should be aligned with the upper and lower slots, with the drawing surface facing outward and the smooth surface facing inward

# Step 14

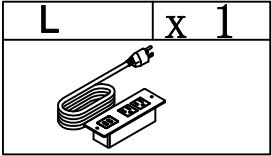
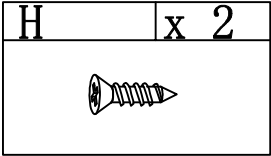
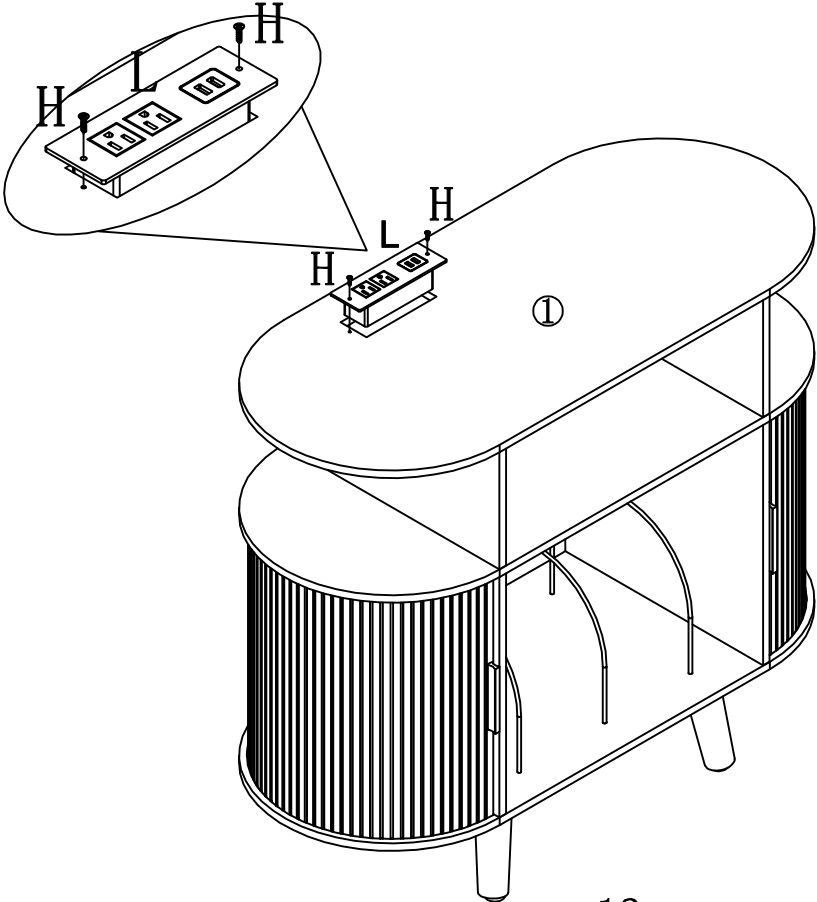


When the No. 10 plate is pushed into, it should be aligned with the upper and lower slots, with the drawing surface facing outward and the smooth surface facing inward

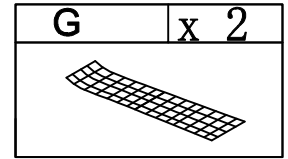
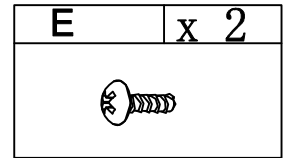
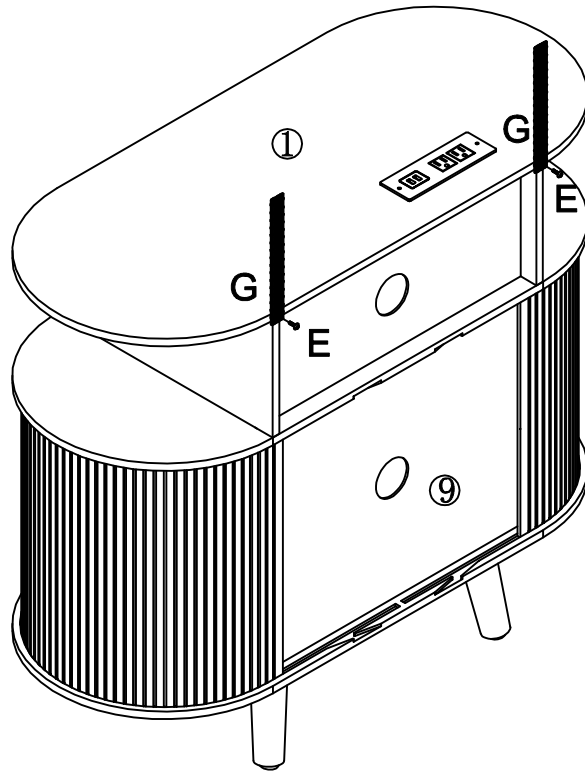
# Step 15



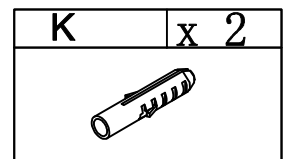
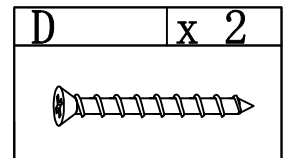
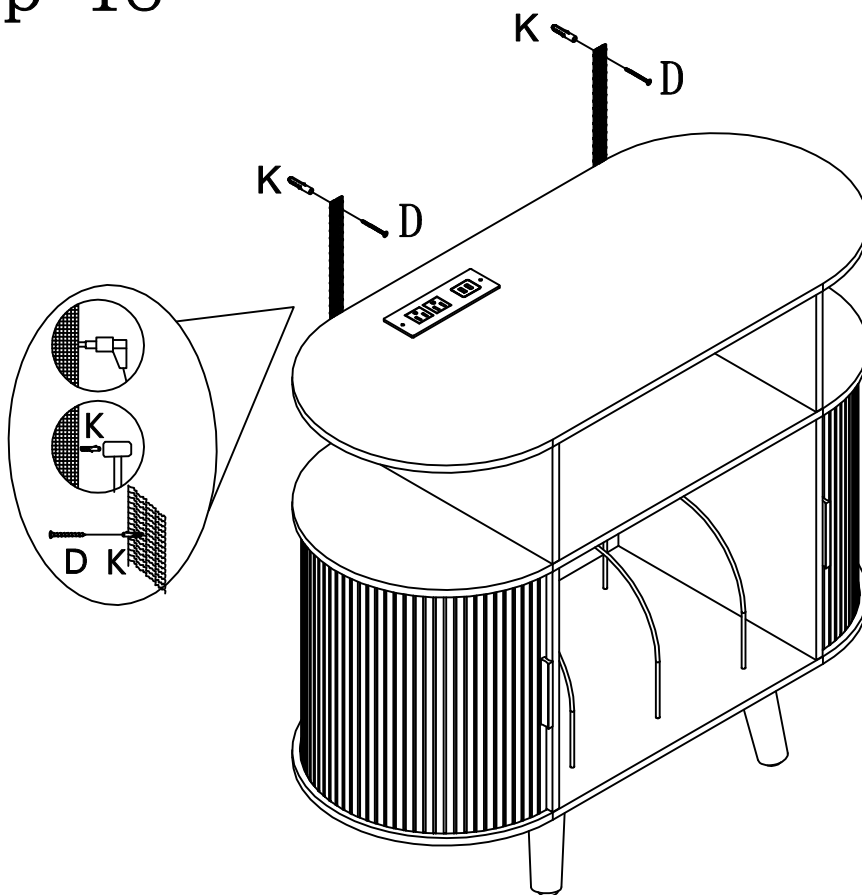
# Step 16



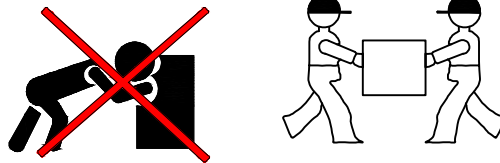
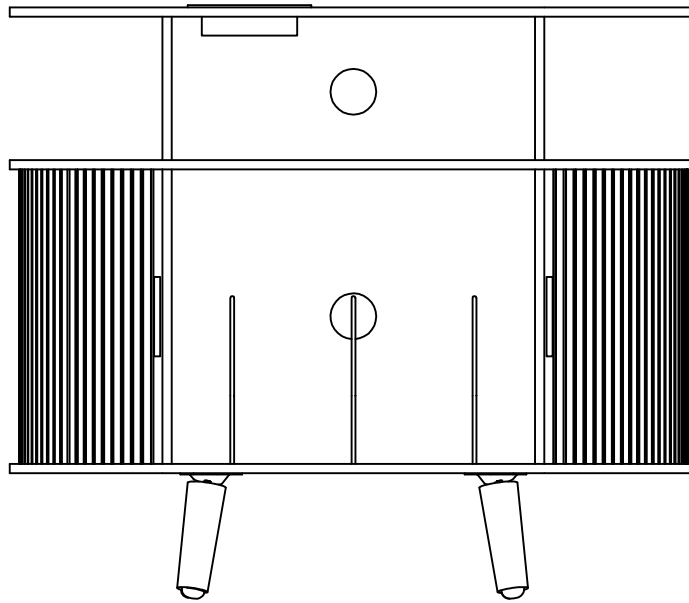
# Step 17



# Step 18



# Step 19



Two people work together to move the table.  
Make sure you lift it off the ground.  
Don't push and pull.