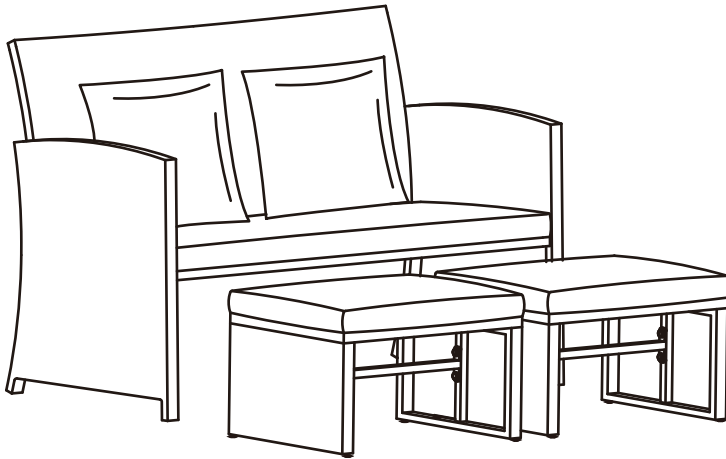


3-Pieces Loveseat Sofa





**IMPORTANT, RETAIN FOR
FUTURE REFERENCE:
READ CAREFULLY.**

Safety

- For domestic use only.
- Always use on firm level ground.
- Don't tighten all the bolts before the product is fully assembled.
- It would be useful to ask someone to help you assemble the product.
- Periodic structural checks of this product should be undertaken, do not use if you have any doubts about its fitness for purpose.
- Do not stand on the seat.
- Do not sit on the armrest.
- Do not let children play with this product.
- Maximum load per seat: 250 lbs.

At the beginning of the season

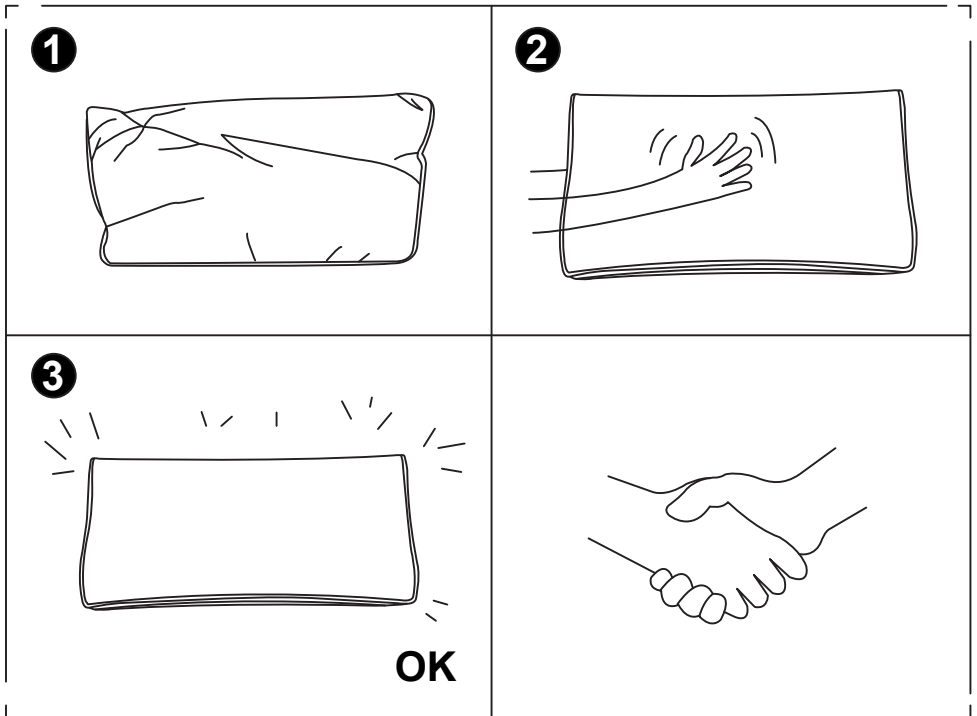
- Check to ensure that all components and fixings of this product are secure, do not use if you have any doubts about its fitness for purpose.

At the end of the season




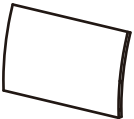



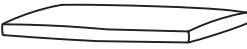

- This product should be stored under cover during prolonged spells of adverse weather (wet or cold) and also during the winter (ideally in a garden shed or garage).
- Always clean and dry thoroughly before storage.

Tips for Cushions

In order to compress the package, we put the cushions in the gap of some parts. So there may be crinkle on the fabric. Don't worry. Just flap every corner of the cushion evenly and it will get back into its original shape soon.



COMPONENT LIST - LOVESEAT

Item no.	Reference Image	Description	Qty.
A1		Seat Base	1
B		Right Armrest	1
C		Left Armrest	1
D1		Seat Back	1
E		Washer	10
F		M6X35 Head Cap Screws	10
G		Allen Key	1
I		Seat Cushion	1
P		Pillow	2

NOTE:

When tightening the screws, tighten sequentially.

DO NOT tighten any screws fully and then move on to the next one.

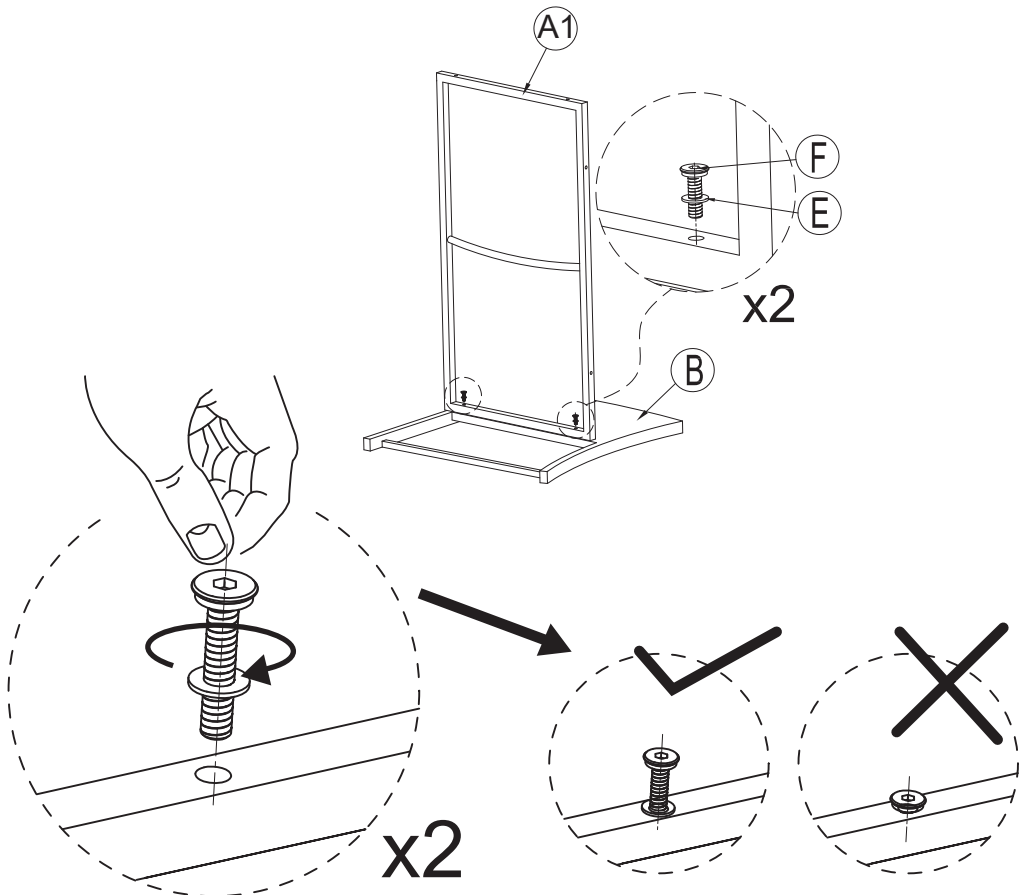
This may cause the frame to warp.

If there is still wobbles or screw holes cannot be aligned, loosen the screws and execute this same process.

If the Chair is not stable it could lead to damage to the product.

1

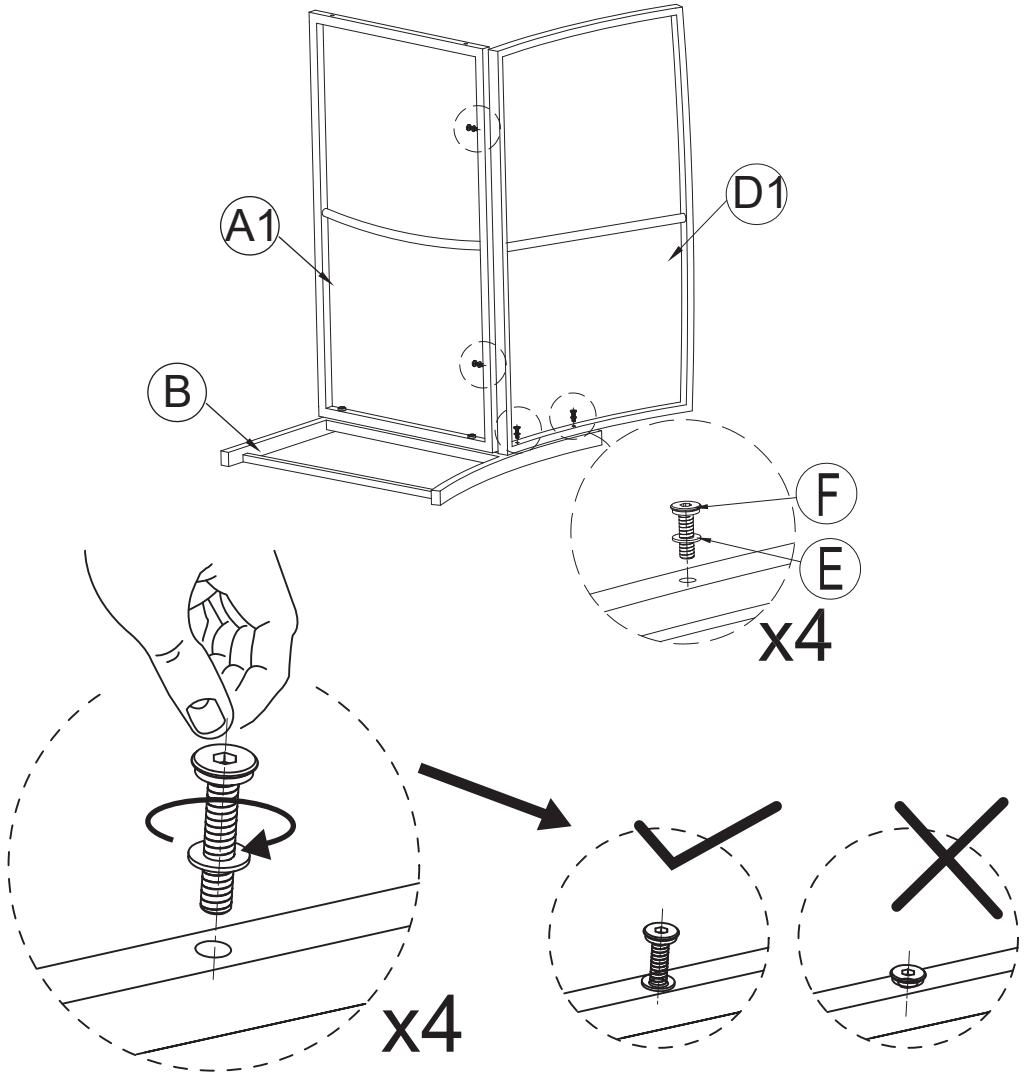
Attach the Seat Base (A1) to the Right Armrest (B) by securing with Head Cap Screws (F) and Washers (E). Do this in 2 places.



NOTE: DO NOT TIGHTEN THE SCREWS COMPLETELY.

2

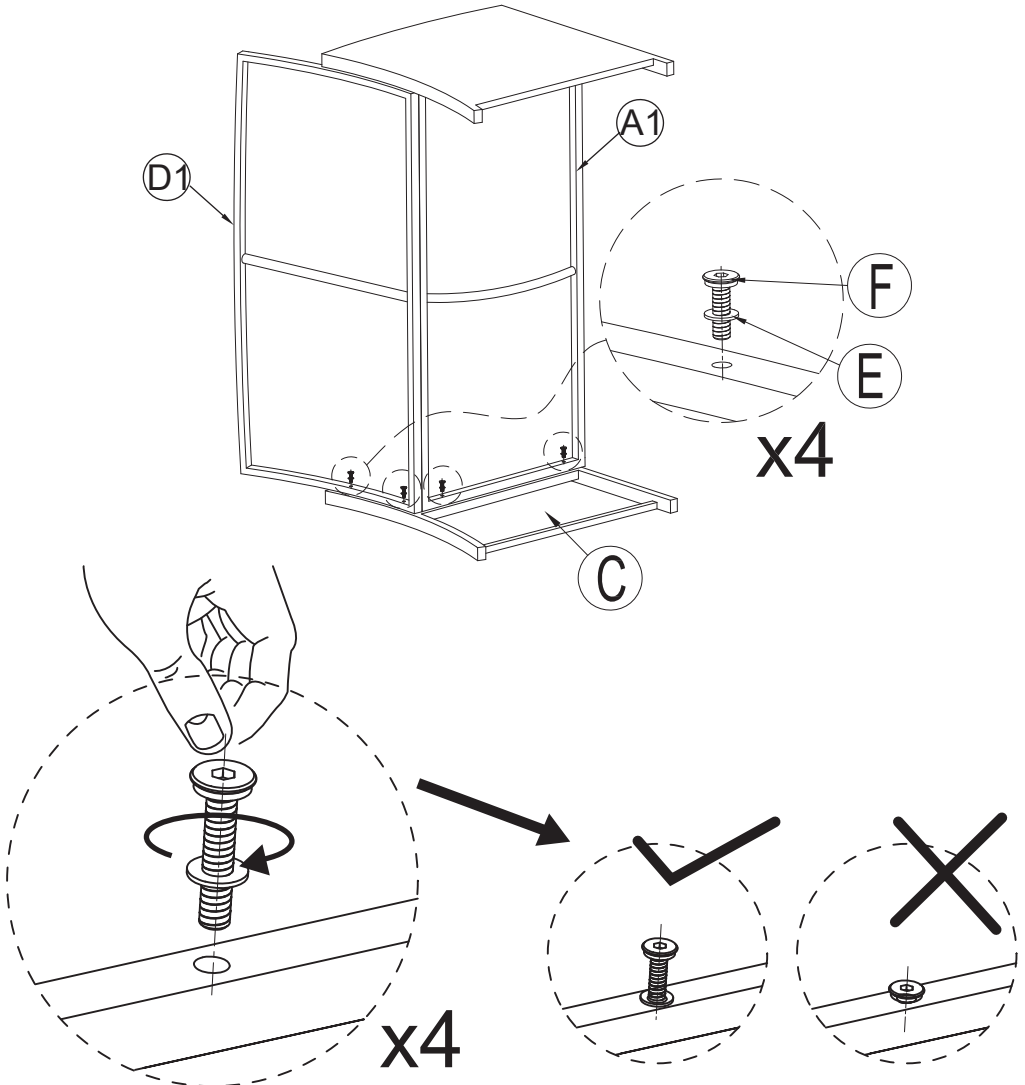
Attach the Seat Back (D1) to the Right Armrest (B) and Seat Base (A1) by securing with Head Cap Screws (F) and Washers (E). Do this in 4 places.



NOTE: DO NOT TIGHTEN THE SCREWS COMPLETELY.

3

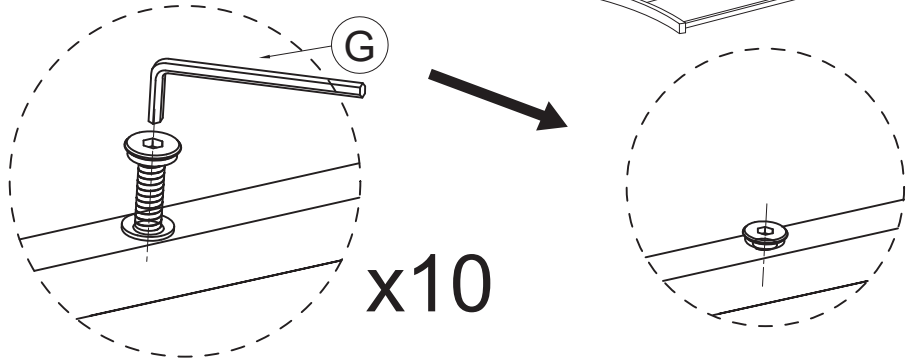
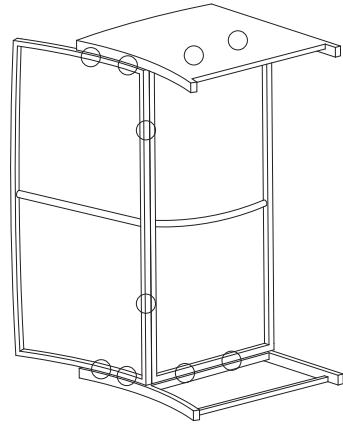
Attach the Left Armrest (C) to the Seat Back (D1) and Seat Base (A1) by securing with Head Cap Screws (F) and Washers (E) . Do this in 4 places.



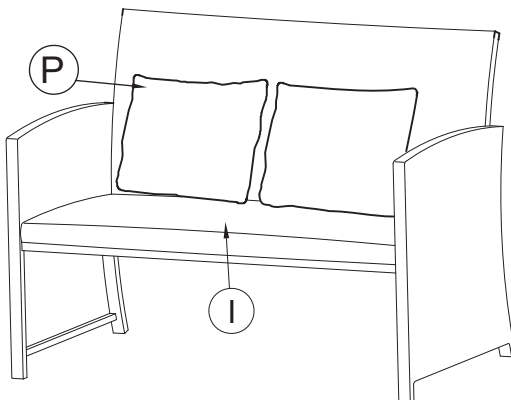
NOTE: DO NOT TIGHTEN THE SCREWS COMPLETELY.

4

Tighten all 10 Screws into place with Allen Key (G).



NOTE: IF ANY SCREW HOLES CANNOT BE ALIGNED, LOOSEN ALL THE SCREWS AND GO BACK STEP 1 AND RESTART ASSEMBLY.





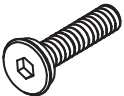





5

Place the chair on a level surface. Place Seat Cushion (I) and Pillows (P) on the chair.

Your chair is ready for use.

COMPONENT LIST - OTTOMAN X 2

Item no.	Reference Image	Description	Qty.
S		Ottoman Top	1
T		Side Panel	2
U		Connecting Rod	1
E		Washer	8
R		M6X30 Head Cap Screws	4
V		M6X15 Head Cap Screws	4
G		Allen Key	1
W		Seat cushion	1

NOTE:

When tightening the screws, tighten sequentially.

DO NOT tighten any screws fully and then move on to the next one.

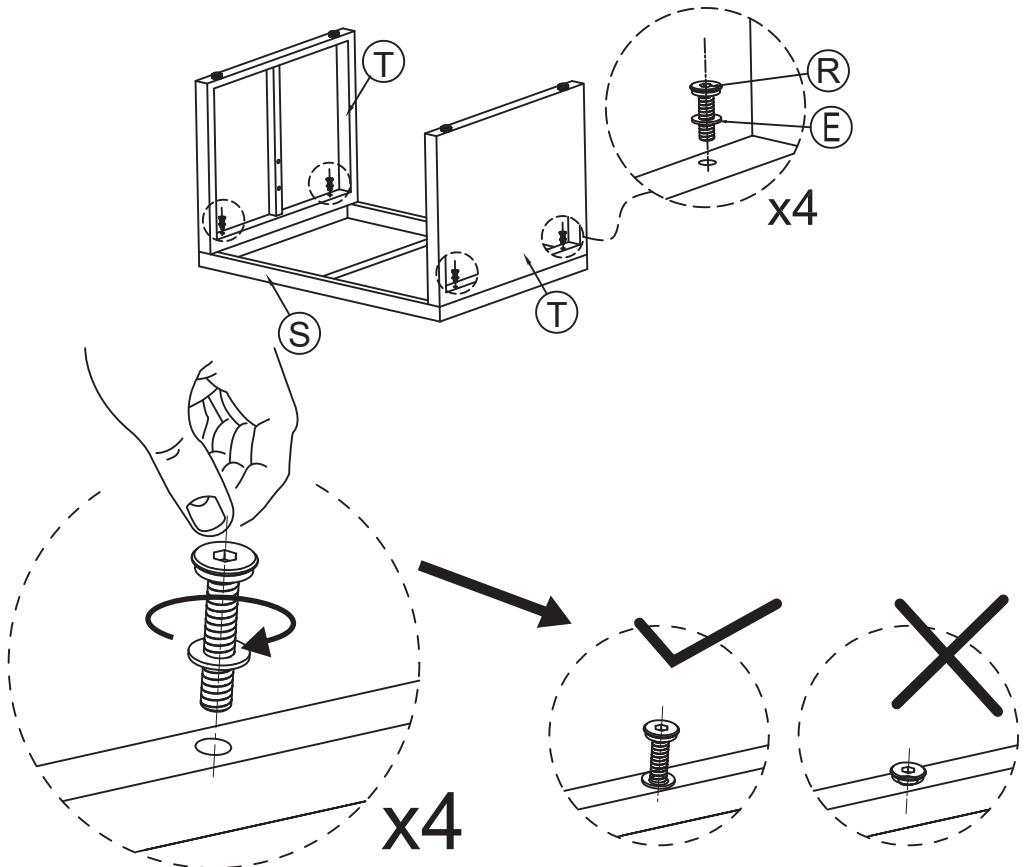
This may cause the frame to warp.

If there is still wobbles or screw holes cannot be aligned, loosen the screws and execute this same process.

If the Ottoman is not stable it could lead to damage to the product.

1

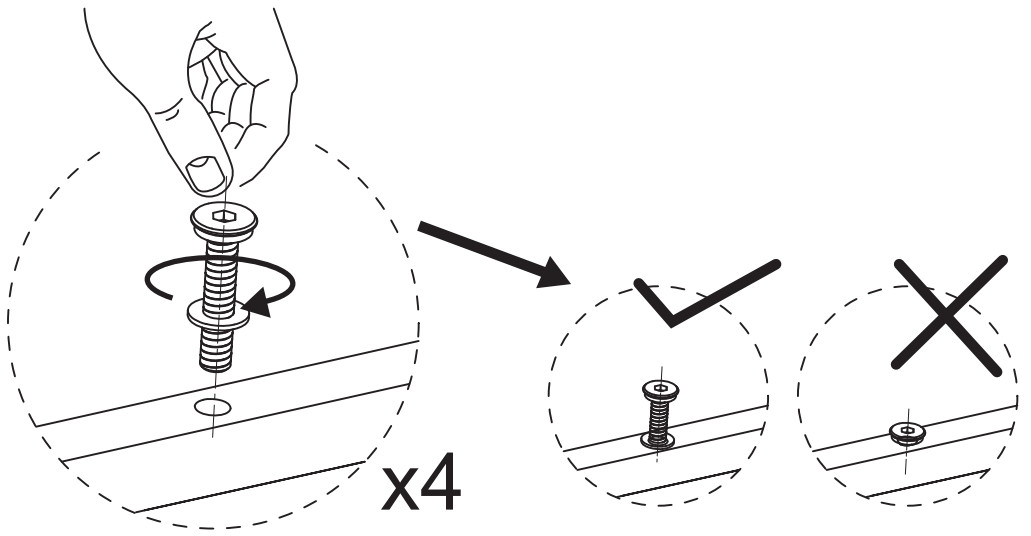
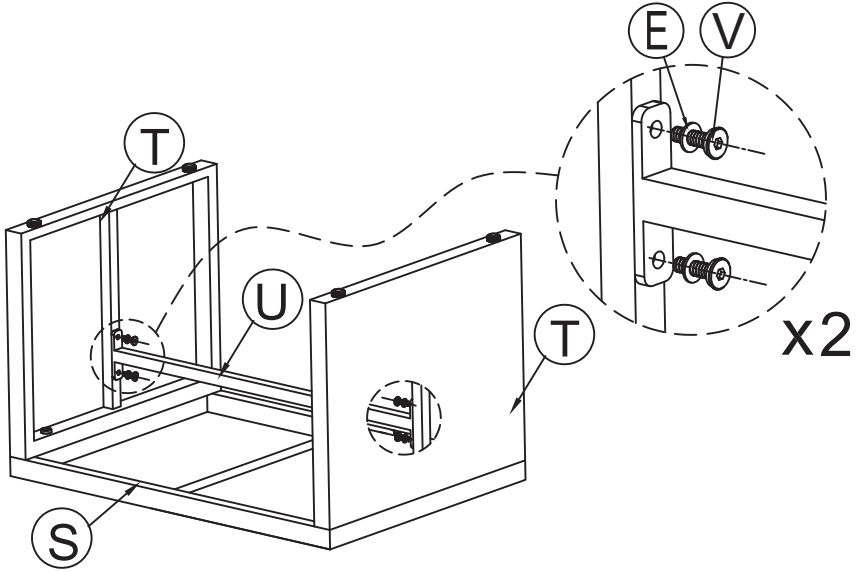
Attach the Side Panels (T) to the Ottoman Top (S) by securing with M6*30 Head Cap Screws (R) and washers (E). Do this in 4 places



NOTE: DO NOT TIGHTEN THE SCREWS COMPLETELY.

2

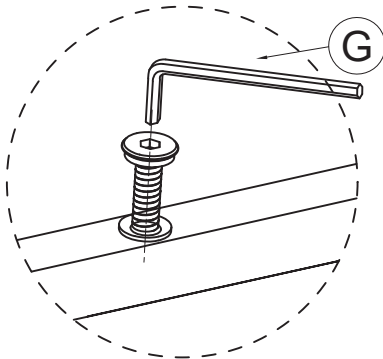
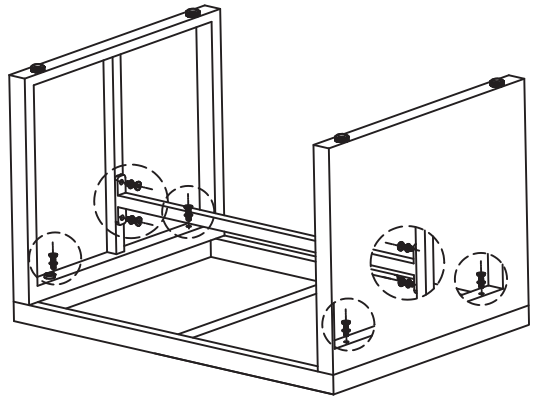
Attach the Connecting Rod (U) to the Side Panels (T) by securing with M6*15 short Head Cap Screws (V) and Washers (E). Do this in 2 places.



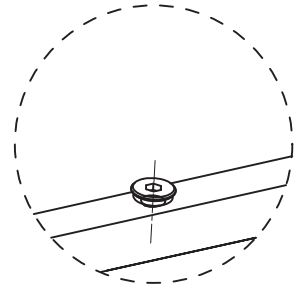
NOTE: DO NOT TIGHTEN THE SCREWS COMPLETELY.

3

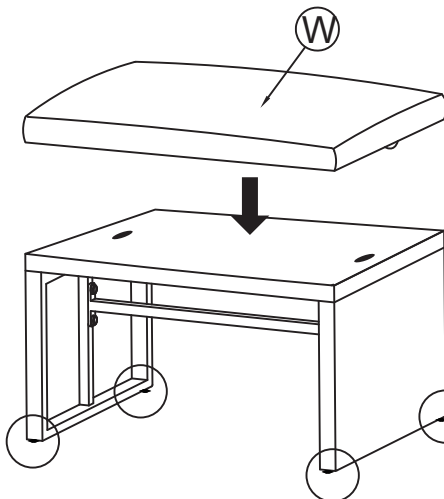
Tighten all 8 Screws into place with Allen Key (G).



x8



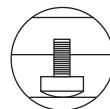
NOTE:IF ANY SCREW HOLES CANNOT BE ALIGNED, LOOSEN ALL THE SCREWS AND GO BACK STEP 1 AND RESTART ASSEMBLY.



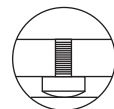
4

Place the Ottoman on a level surface and adjust height for balance, then place Seat Cushion (W) on the ottoman. Your ottoman is ready for use.

Adjust Pre-installed levellers height for balance



Adjust height for balance



Adjust low for balance