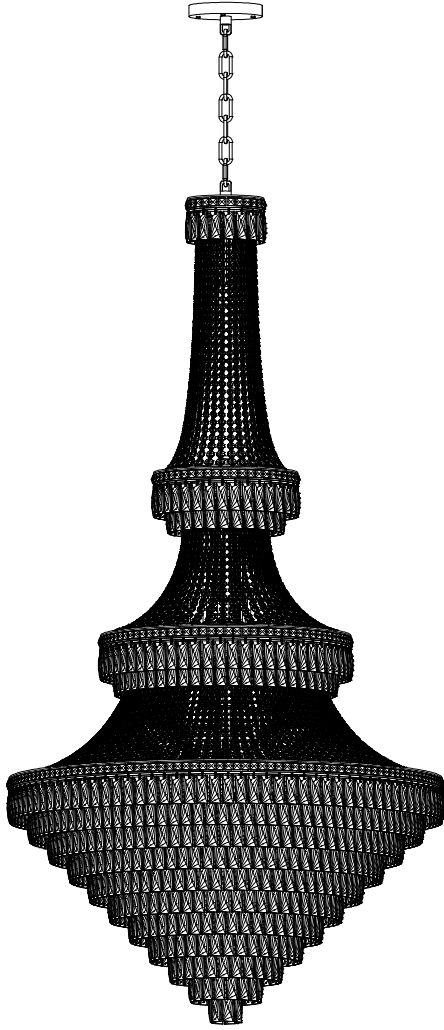


MANUAL BOOK

***** This product comes with 5 packing boxes. Please install it after receiving all of them*****



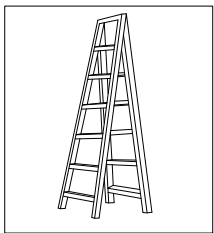
MAIN SPECIFICATIONS

Type	Chandelier
Fixture Size	D47.2 ",H90.5 "
Hanging Chain	Max.118"
Weight	Appr. 250 LBS
Bulbs Required	43 E12 Bulbs (not included)
Wattage	Max.40W per Bulb
Voltage	110V-130V

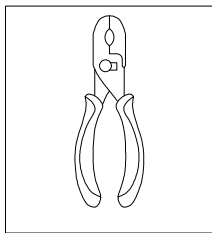
PREPARATION

- Check if the packaging is complete and remove all accessories from the packaging
- Refer to the accessory list on pages 4 and 5, verify and familiarize with the parts. Easily fragile/damaged/lost parts come with spare parts to ensure a smooth installation
- If dimming function is required, please purchase suitable dimming bulbs and matching dimming switches
- Assembly will take time, especially for hanging crystals which is inevitable for most chandelier installations. Please be patient
- Please wear gloves for installation

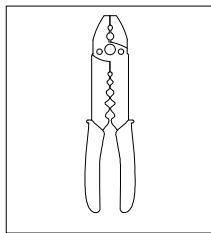
Tools You Need



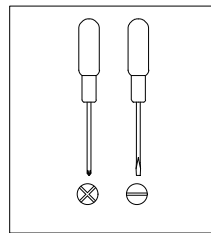
Ladder



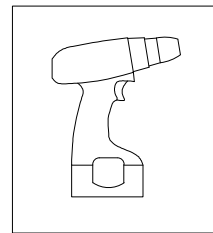
Pliers



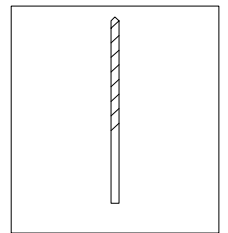
Wire Strippers



Screwdrivers



Power Drill (optional)



Drill Bit (optional)

If mounting to a support structure, you will also need the optional tools.

WARNING/CAUTION

WARNING:FOR YOUR PROTECTION AND SAFETY-Carefully read and understand the information given in this manual before beginning assembly and installation.Failure to do so could lead to electric shock,fire or other injuries.PRODUCT MUST BE INSTALLED BY A PERSON FAMILIAR WITH THE CONSTRUCTION AND OPERATION OF THE PRODUCT AND THE HAZARDS INVOLVED IN ACCODANCE WITH THE APPLICABLE INSTALLATION CODE.

BE SURE THE ELECTRICITY TO THE WIRES YOU ARE WORKING ON IS SHUT OFF;EITHER THE FUSE IS REMOVED OR THE CIRCUIT BREAKER IS TURNED OFF.TURNING THE POWER OFF USING THE LIGHT SWITCH IS NOT SUFFICIENT TO PREVENT ELECTRICAL SHOCK.

NOTE:The important safeguards and instructions appearing in this manual are not meant to cover all possible conditions or situations that may occur.It must be understood that common sense,caution,and care,are factors which cannot be built into any product.These factors must be supplied by the person(s) installing this unit.

READ & SAVE THESE INSTRUCTIONS

CAUTION:Before assembling the lighting fixture,refer to the section titled Wiring Connections.If you feel you do not have enough electrical wiring experience,either refer to a do-it-yourself wiring handbook or have your lighting fixture installed by a qualified,licensed electrician.

LIGHT BULBS REQUIRED

This fixture uses E12 bulb base, works with incandescent,LED,CFL,halogen or color changing bulbs up to 60W. Fully dimmable when used with dimmable bulbs and a compatible dimmer switch(not included).

Due to different requirements,in order to avoid waste,BULBS ARE NOT INCLUDED IN THIS ITEMPlease purchase the right bulbs you need.

43 pieces E12 bulbs are required for this light fixture.

Trouble Shooting

1.Missing/Broken Parts

·Make a list of the missing/broken parts according to the packing list,take photos for broken parts,then email us for free replacements.(If spare parts in package is still insufficient)

2.Bulbs Do Not Light Up

- Check your power and switch to make sure it's power on.
- Check the bulb to make sure it's installed correctly.
- Change a new bulb.
- Check the wires to make sure they are connected correctly.

3.Bulbs Flicker/Noisy Operation

- Check the bulb to make sure it's installedcorrectly.
- Change a new bulb.
- Make sure your bulb is dimmable if you use a dimmer switch.

4.Could Not Install/Assemble

- Take photos of the ceiling/fixture,contact seller for technical support.

Trouble Shooting

To clean,wipe fixture with soft cloth.Spray from chemical cleaners can discolor the finish of fixture.Do not use scouring pads,powders,steel wool or abrasive paper to clean this fixture.

PREPARATION BEFORE INSTALLATION

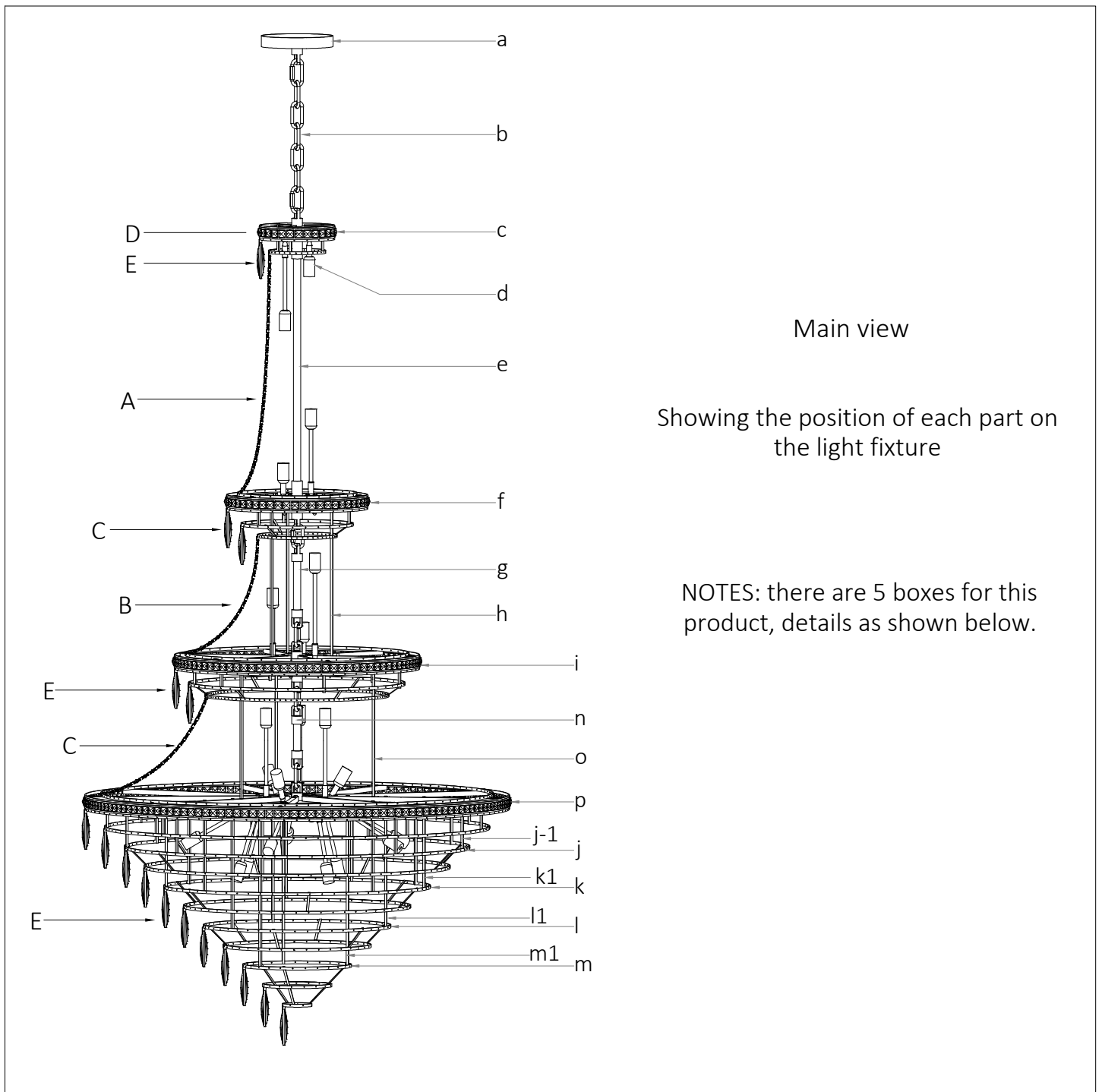
*****IMPORTANT NOTES*****

1. Due to the large size of the product and the complexity of installation, please install it by professional persons.
2. In order to prevent damage of product during transportation, chandelier is divided into many parts and requires patient installation (which is inevitable for any large chandelier). Once you complete it, you will be amazed by your masterpiece.
3. Due to the heavy weight of the product (mentioned on page 1), please ensure that the ceiling has sufficient load-bearing capacity and ensure safety after installation.
4. Due to the large number of light bulbs, please ensure that the house electrical wires can bear the wattage. it is recommended to use lower power LED light sources (the product does not include light bulbs), or according to your actual needs, some lamp holders may not be equipped with light bulbs
5. Please do not mix all the items in the boxes together. Before installation, please check and familiarize yourself with all the parts by referring to the pack list.
6. Please strictly follow the installation steps of manual and proceed with the installation in an orderly manner.
7. Please conduct a power test before hanging the crystal to ensure the correct connection of the circuit.
8. If crystal breakage occurs during transportation or installation, do not worry, there are extra spare parts in the packaging

We provide 24-hour customer service, and any questions you have will be answered within 24 hours. If you have any questions or problems, please feel free to contact us, your order ID and details are needed so that our customer service will help you more quickly and accurately!

Have a nice day!

PACKING LIST (Check the contents to be sure everything is included)

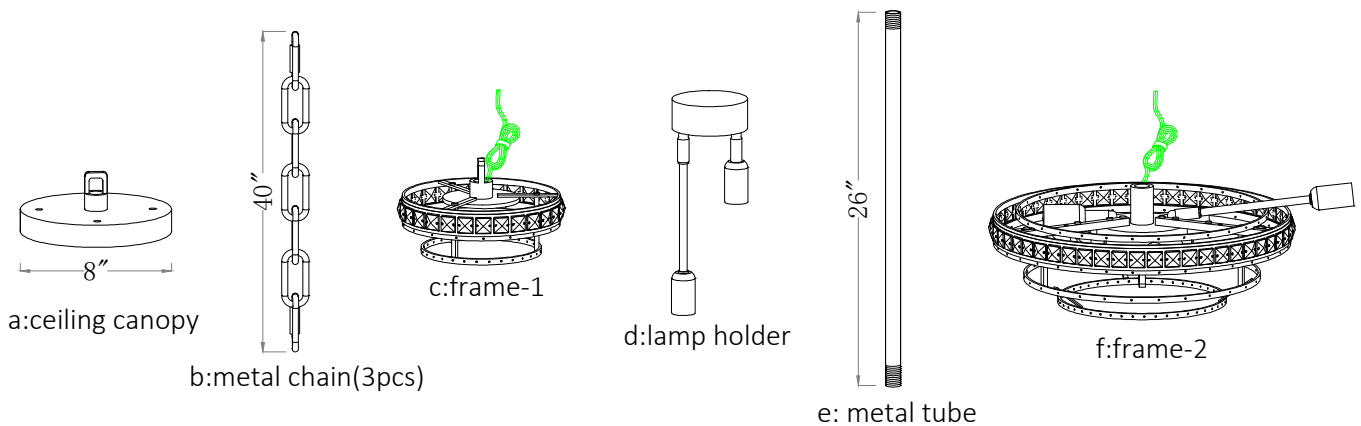


Main view

Showing the position of each part on the light fixture

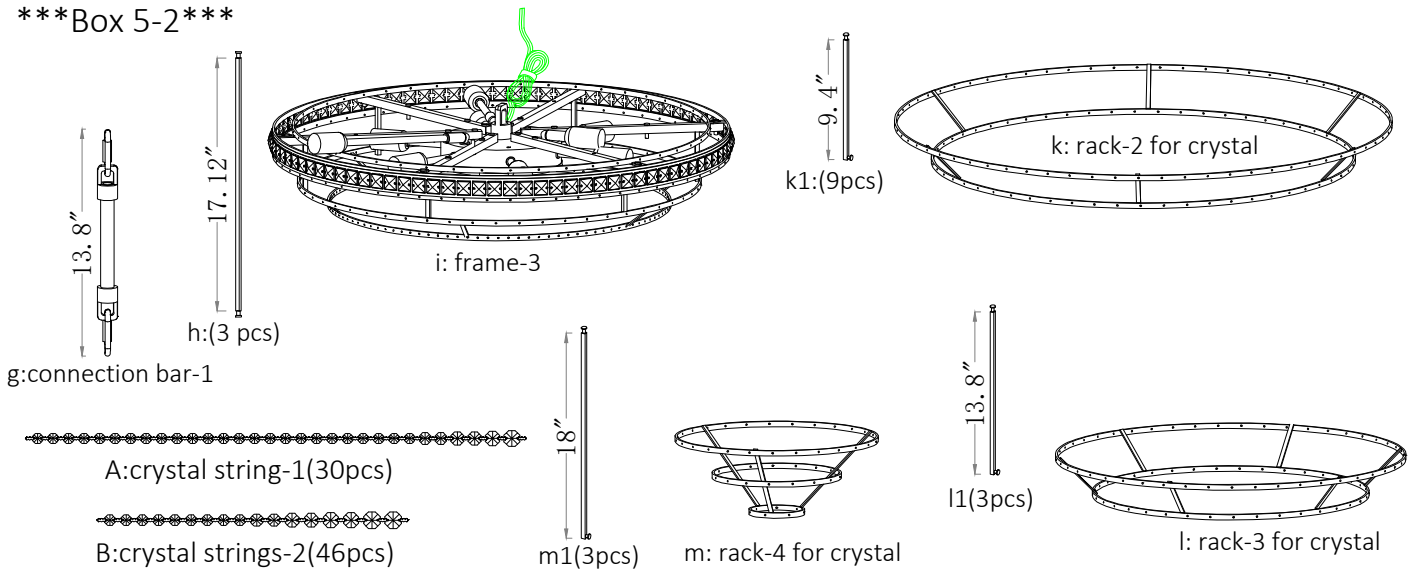
NOTES: there are 5 boxes for this product, details as shown below.

Box 5-1



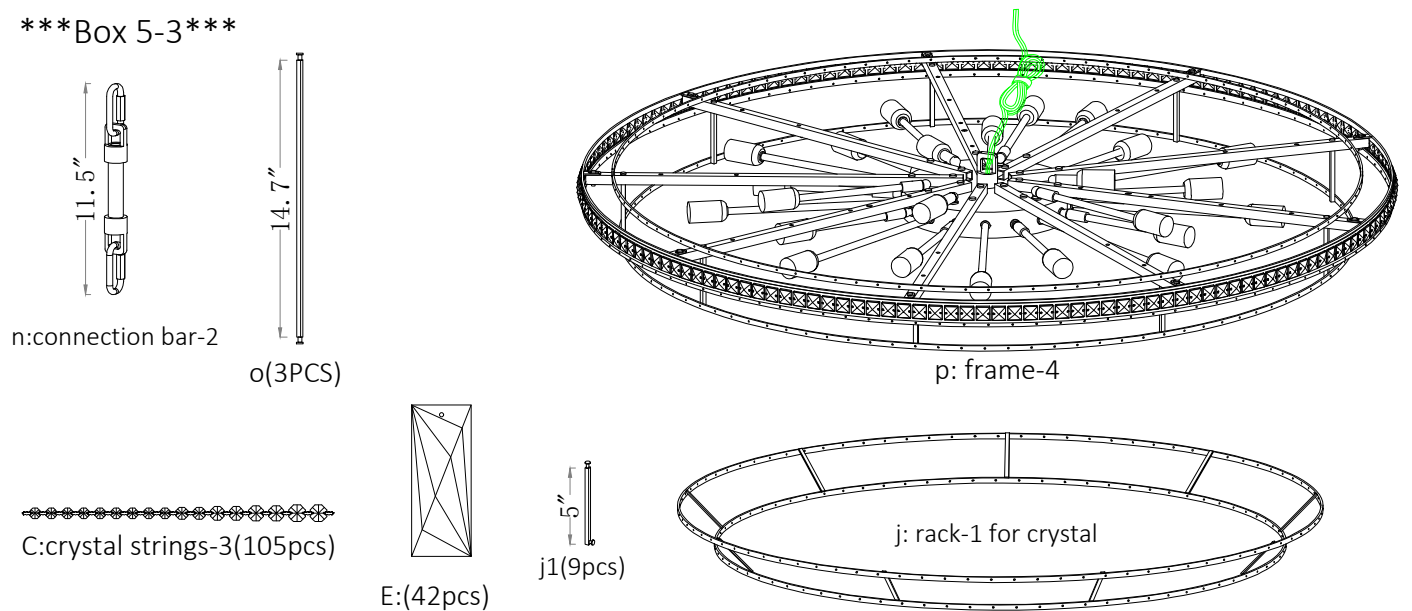
PACKING LIST (Check the contents to be sure everything is included)

Box 5-2

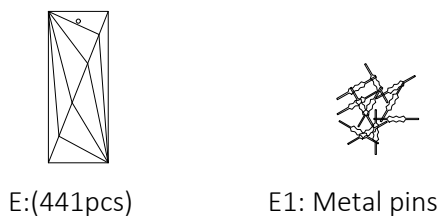


h/o is square tubes to balance the frames of each layer. j1/k1/l1/m1 is square tubes to connect the racks for crystals

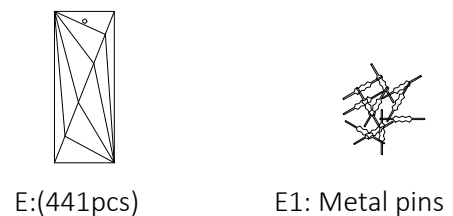
Box 5-3



Box 5-4



Box 5-5

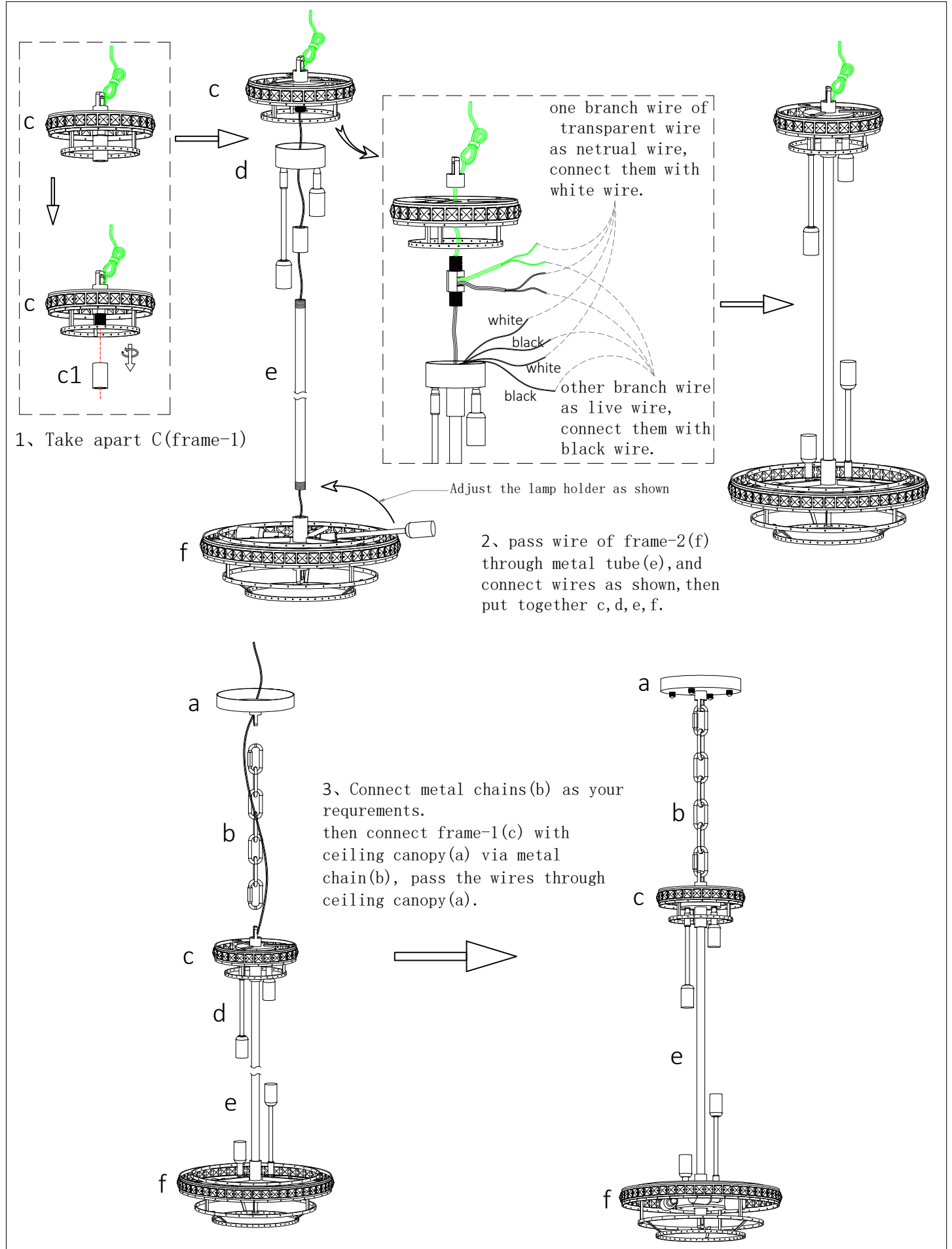


OTHERS (IN BOX 5-1)

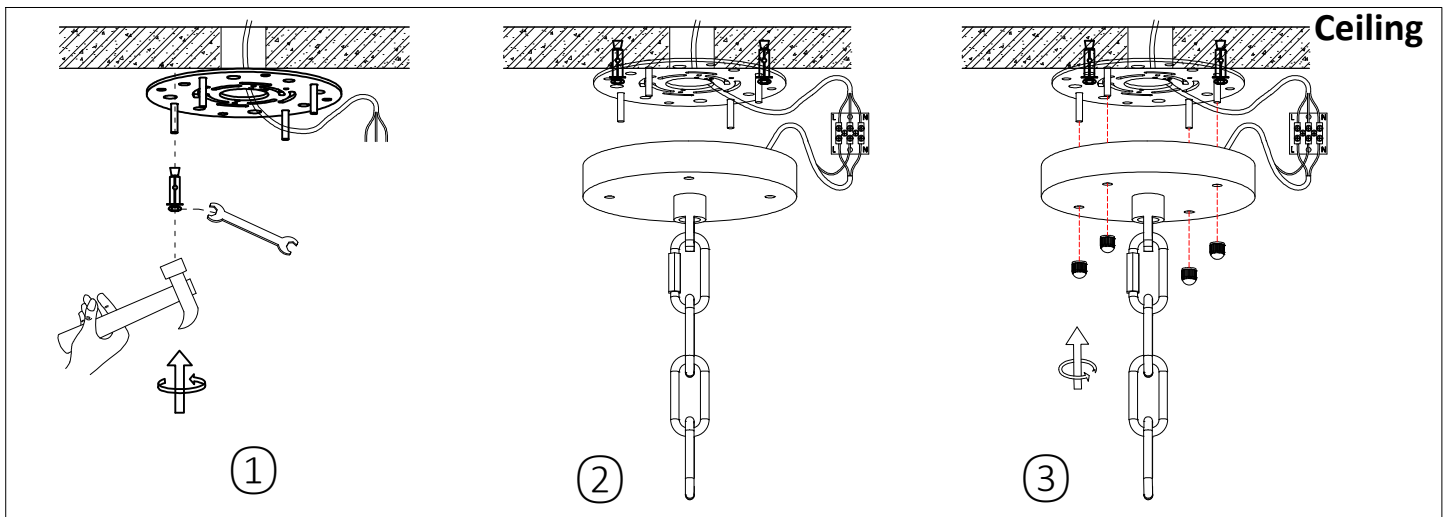
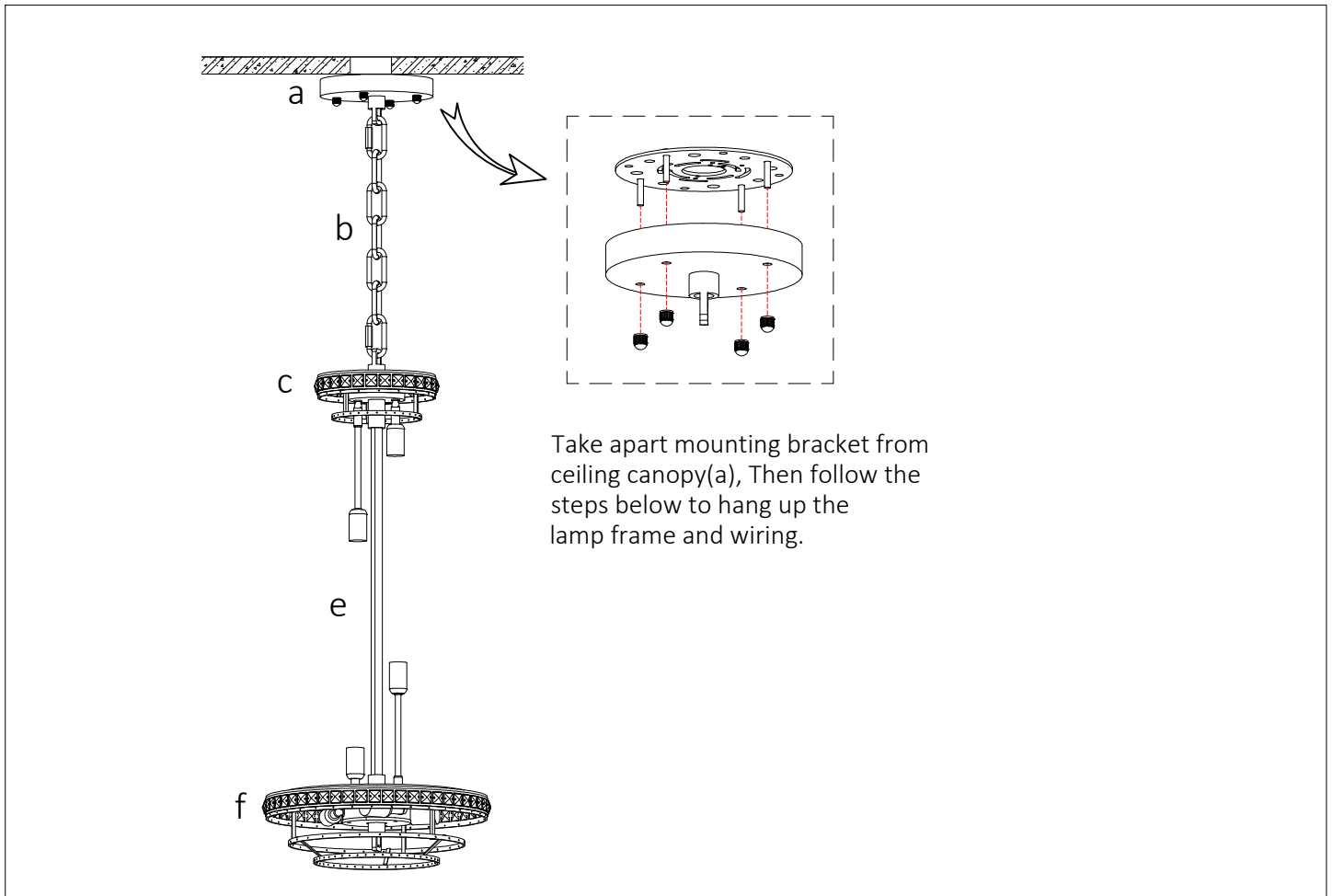
- Main Spare parts
- Parts A(1 pcs),Parts B(4 pcs),Parts C(59 pcs),
- White gloves(1 pair)
- Fittings bag(1 bag,Screws and other small accessories)
- Installation manual(1 set)

FIXTURE INSTALLATION

1. Assembly-1 of lamp frame



2.MOUNTING & WIRING(⚠ Shut off main power at the circuit breaker or fuse panel before installation)



①. Install mounting bracket on ceiling with screws(Please ensure that the load-bearing capacity of the ceiling meets the requirements)

② Connection wires
(The two branch lines on the transparent main line are respectively designated as L line and N line, without strict distinction, and bare copper wire is used as the ground wire)

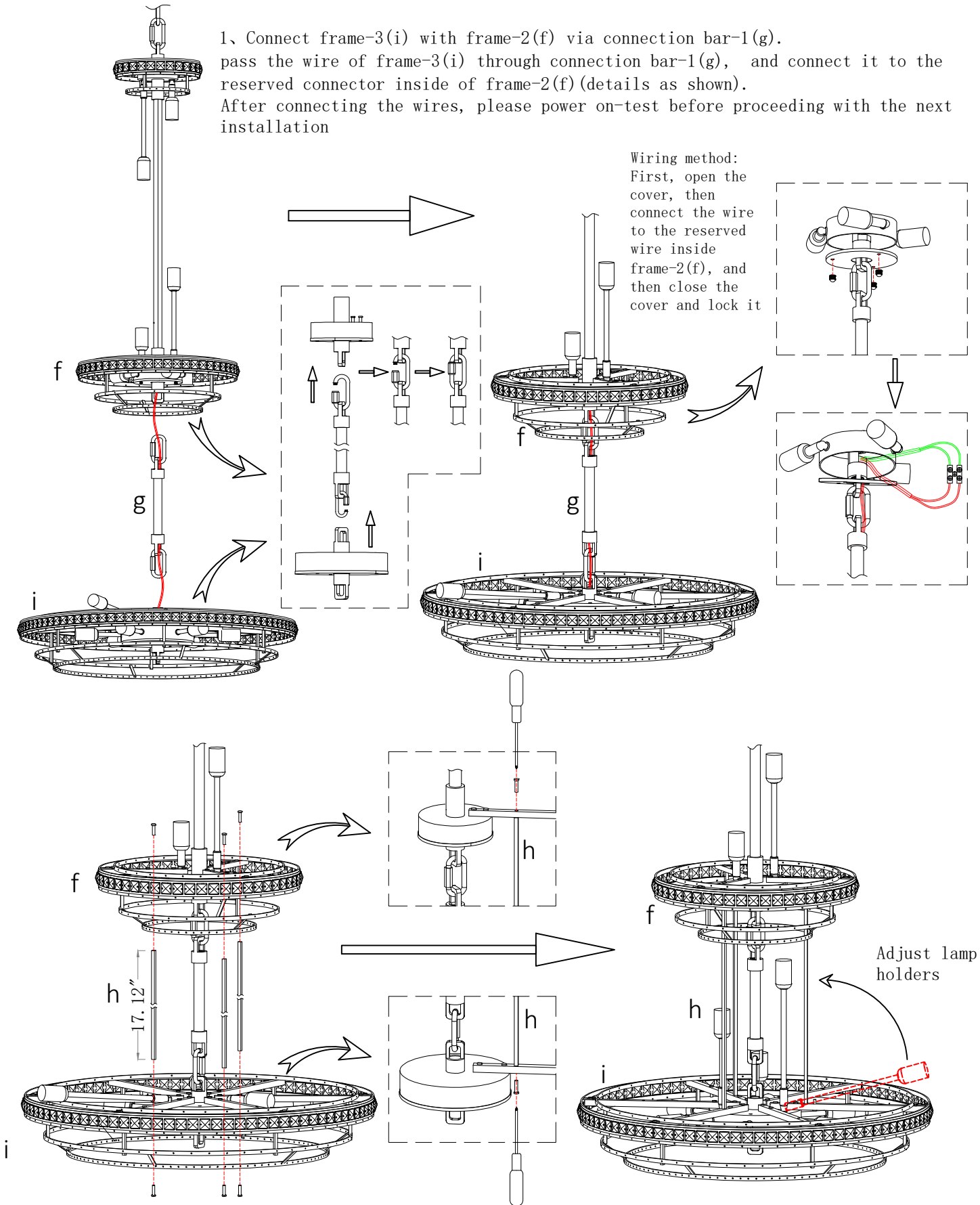
③ Cover the ceiling canopy on mounting bracket, then fix it with nuts.

FIXTURE INSTALLATION

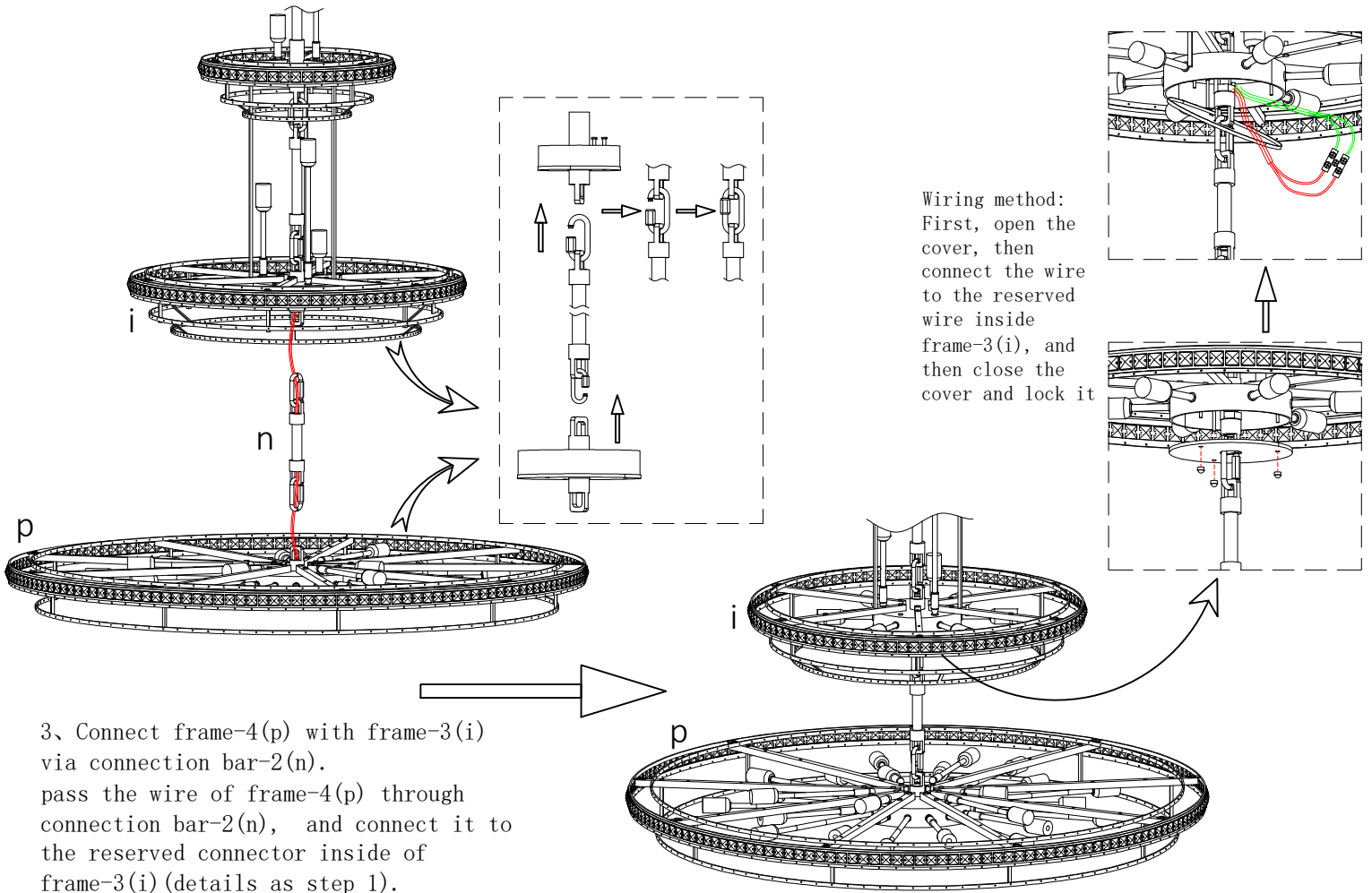
3. Assembly-2 of lamp frame

1. Connect frame-3(i) with frame-2(f) via connection bar-1(g).
pass the wire of frame-3(i) through connection bar-1(g), and connect it to the reserved connector inside of frame-2(f) (details as shown).
After connecting the wires, please power on-test before proceeding with the next installation

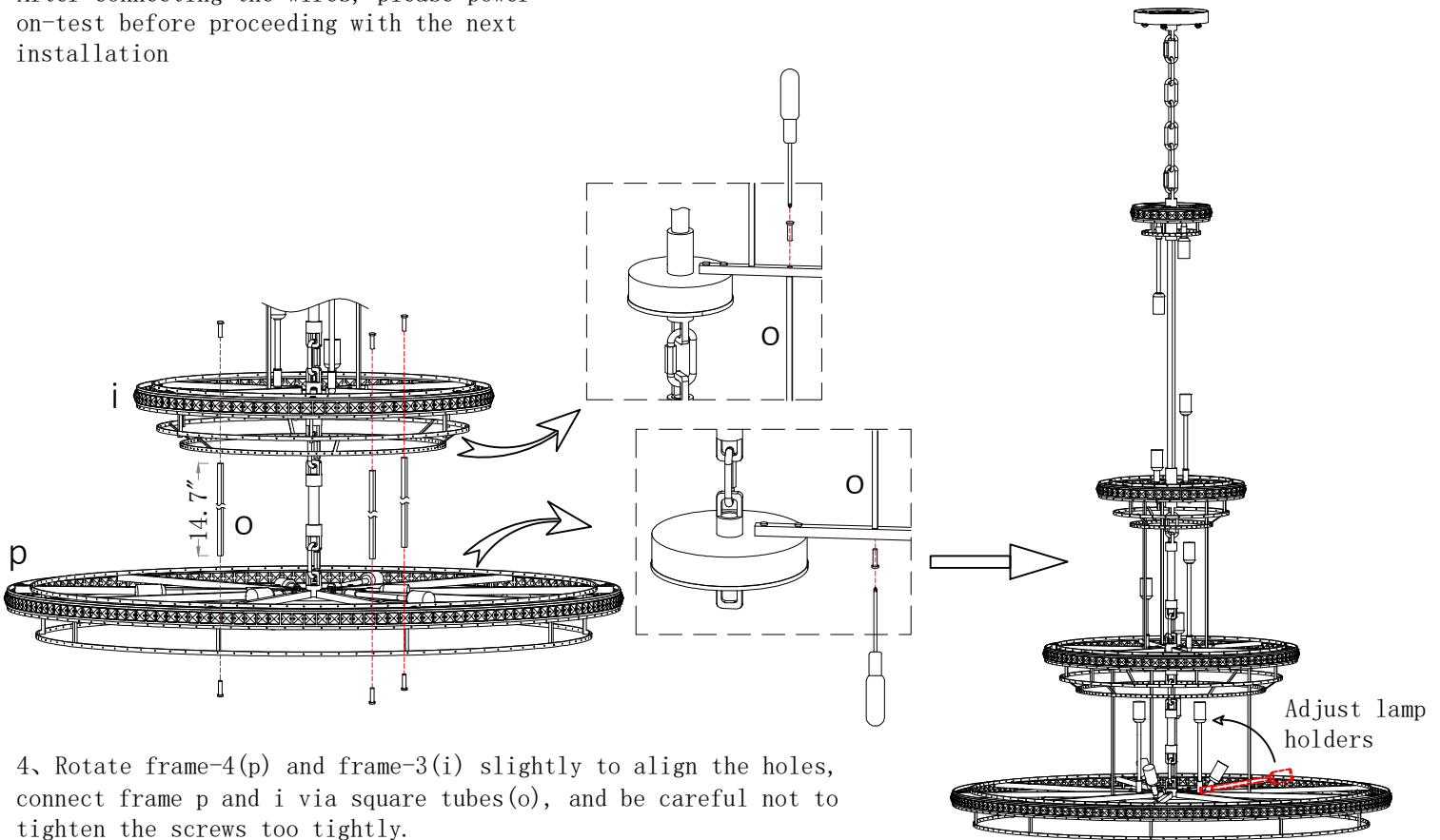
Wiring method:
First, open the cover, then connect the wire to the reserved wire inside frame-2(f), and then close the cover and lock it



2. Rotate frame-2(f) and frame-3(i) slightly to align the holes, connect frame f and i via square tubes (h), and be careful not to tighten the screws too tightly(The function is only to ensure that there is no rotation between each layer during the installation process. If tightened too tightly, it may cause the layers to not remain level).



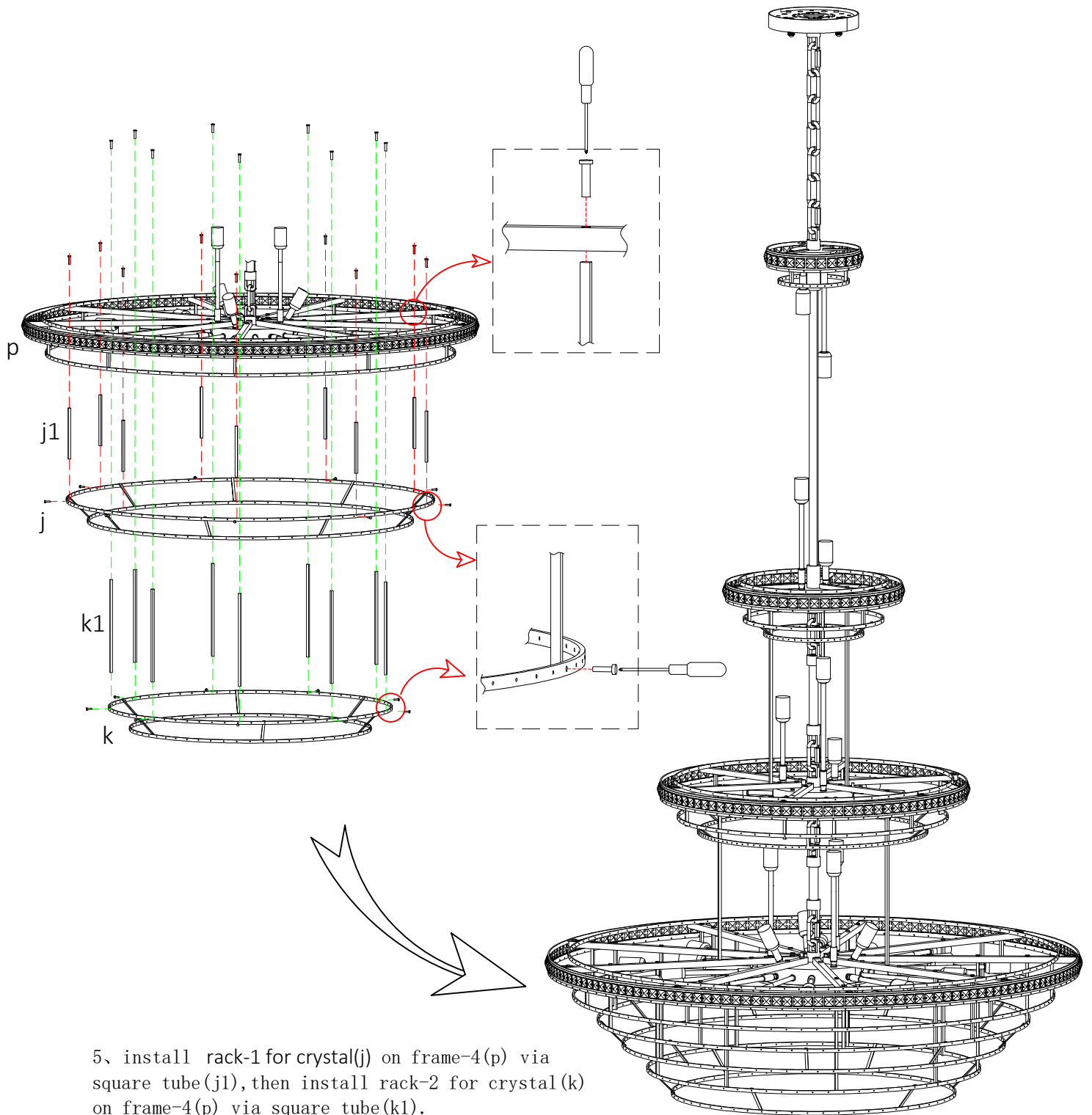
3. Connect frame-4(p) with frame-3(i) via connection bar-2(n).
pass the wire of frame-4(p) through connection bar-2(n), and connect it to the reserved connector inside of frame-3(i) (details as step 1).
After connecting the wires, please power on-test before proceeding with the next installation



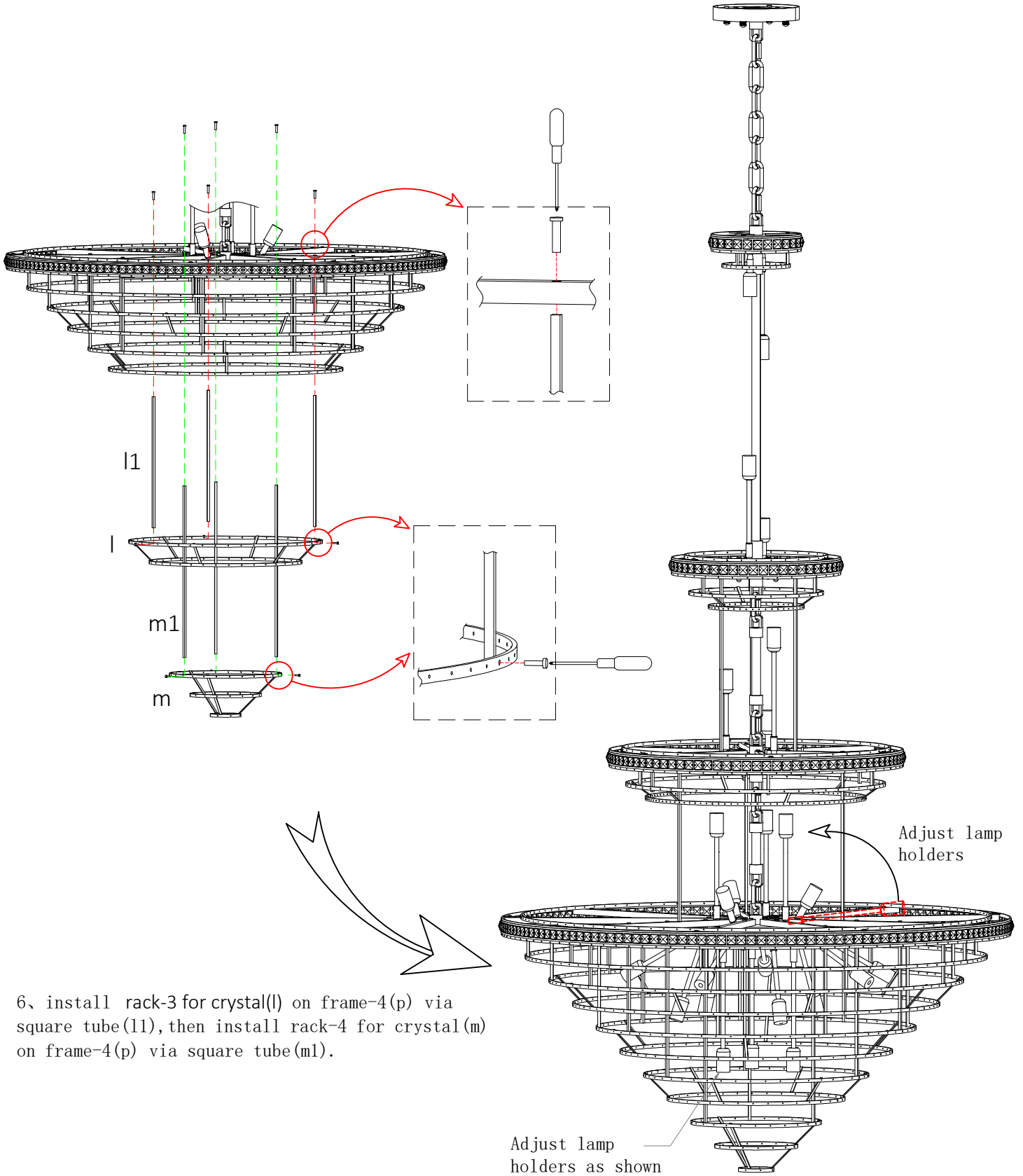
4. Rotate frame-4(p) and frame-3(i) slightly to align the holes, connect frame p and i via square tubes(o), and be careful not to tighten the screws too tightly.

FIXTURE INSTALLATION

3. Assembly of lamp frame



5、install rack-1 for crystal(j) on frame-4(p) via square tube(j1), then install rack-2 for crystal (k) on frame-4(p) via square tube(k1).



6、 install rack-3 for crystal(l) on frame-4(p) via square tube(l1), then install rack-4 for crystal(m) on frame-4(p) via square tube(m1).

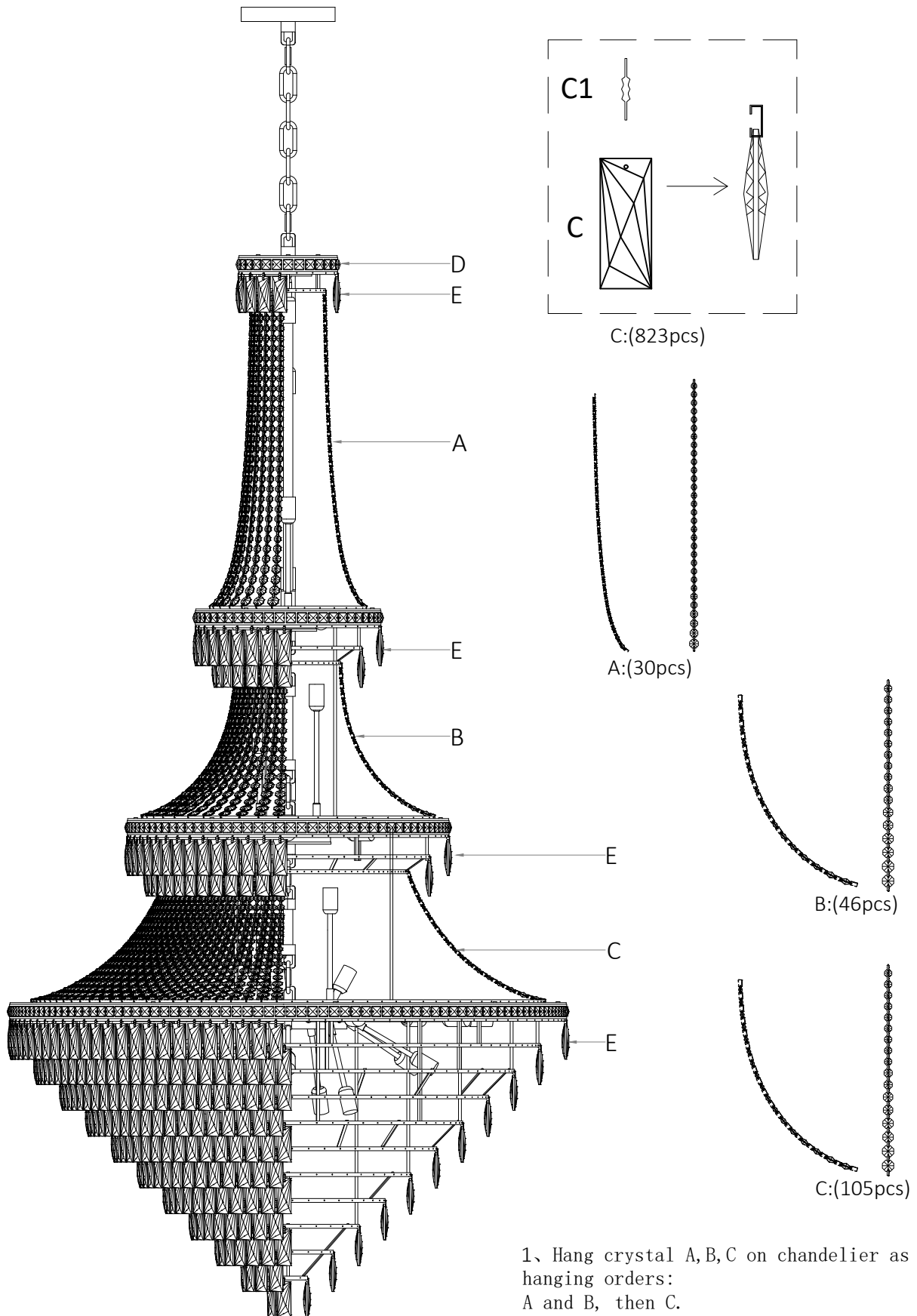
Adjust lamp holders as shown

Adjust lamp holders

FIXTURE INSTALLATION

4. Hanging Crystals

(This step will take long time, please be patient, you are about to complete a great project.)



- 1、 Hang crystal A,B,C on chandelier as shown.
hanging orders:
A and B, then C.
from bottom to top.