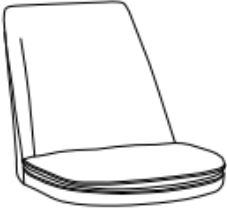








Assembly Manual Dining Chair



⚠ CAUTION

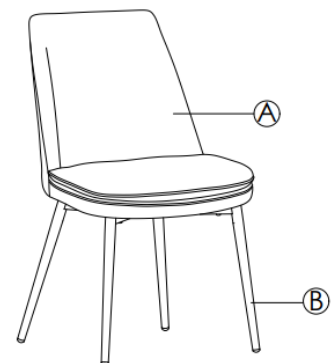
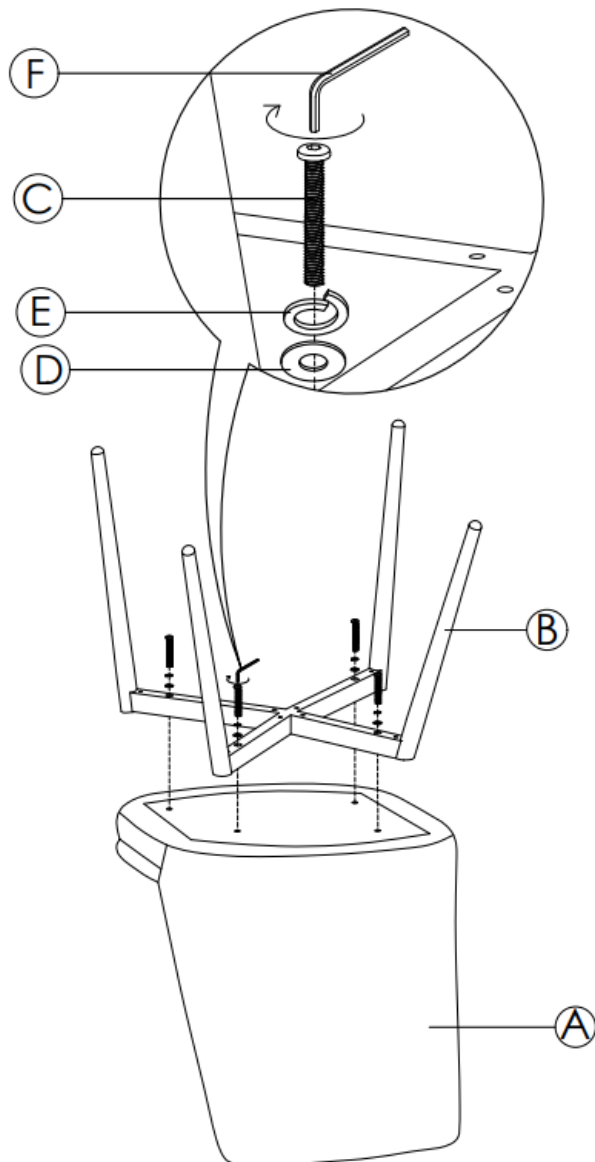
THIS ASSEMBLY MANUAL CONTAINS IMPORTANT SAFETY INFORMATION.
PLEASE READ AND KEEP FOR FUTURE REFERENCE.

<p>A×1</p> 	<p>B×1</p> 	
<p>C×4</p>  <p>M6 x 50mm</p>	<p>D×4</p>  <p>M6</p>	<p>E×4</p>  <p>M6</p>
<p>F×1</p>  <p>4#</p>	<p>G×4</p>  <p>Ø15mm</p>	

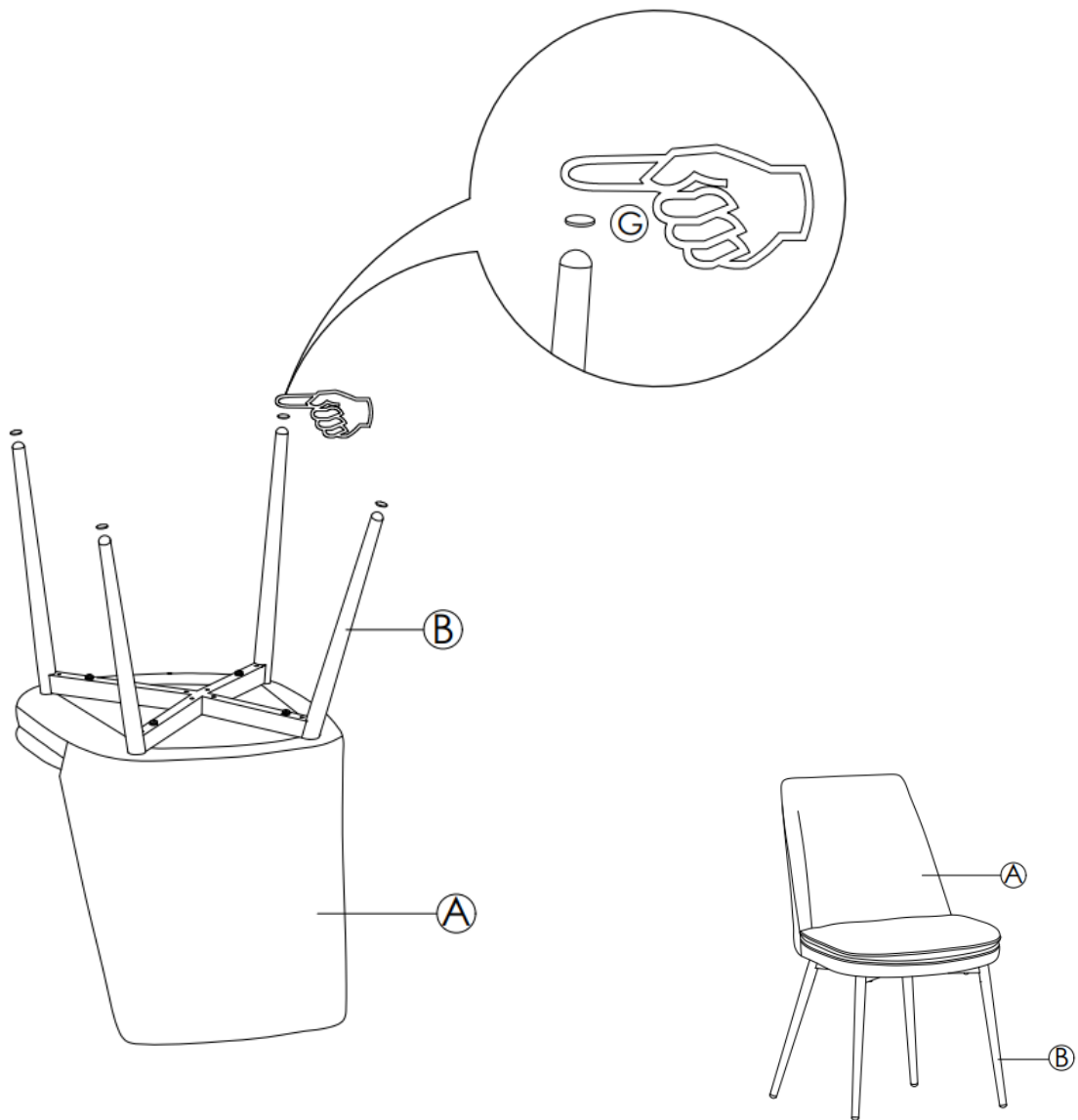
Please read through the instructions below to familiarize yourself with the parts and steps before assembly.

ASSEMBLY INSTRUCTIONS

- 1 Attach Leg (B) to Seat (A), using Bolts (C), Lock Washers (E), Flat Washers (D) and Allen Wrench (F). **Fully tighten all bolts.**



- 2** Complimentary Felt Pads (G) are included to help protect your floor or make the chair slide easier. If needed, attach the complimentary Felt Pads (G) to the leg.



3 Assembly complete. Enjoy.

