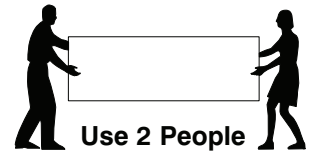
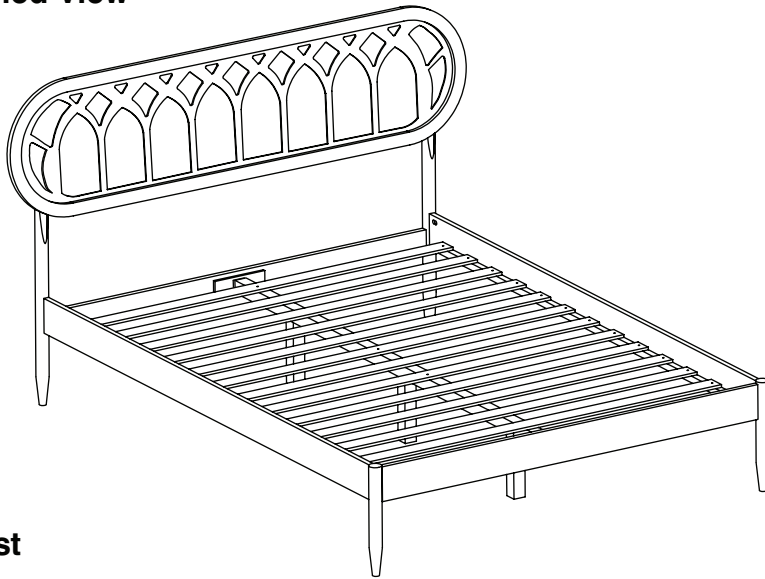


0240-1 Queen Bed

Assembly Instructions

WI-0724

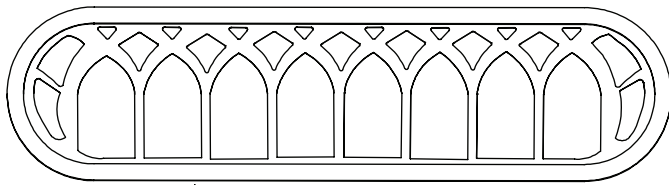
1 Assembled View



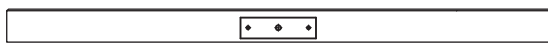
Note: Do not assemble using power tools. This can cause the bolts to be overtightened

2 Parts List

Parts in Box A:



A Headboard Panel x 1



B Headboard Support x 1

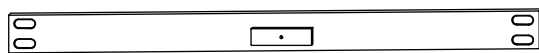


C
Headboard Post (Left) x 1



D
Headboard Post (Right) x 1

Parts in Box B:



E Footboard Panel x 1

H
Footboard Post (Left Hand) x 1



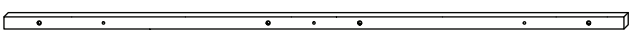
J
Footboard Post (Right Hand) x 1



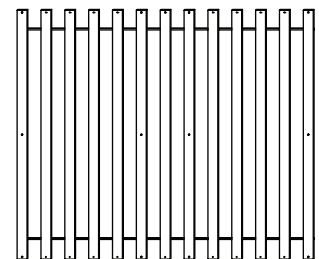
F Side Rail x 2



K
Support Leg x 3



G Long Support x 1



L Set of Bed Slats x 1

0240-1 Queen Bed

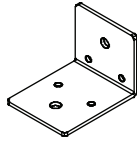
Assembly Instructions

WI-0724

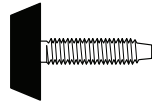
3 Hardware List



1 M4 Allen Key
x 1



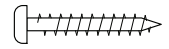
2 Center Rail
Bracket x 2



3 Adjustable
Foot x 3



4 Barrel Nut
x 3



5 Wood Screw
(M4 x 32mm)
x 18



6 Wood Dowel
(10 x 40mm) x 6



7 M6 x 15mm JCB
x 4



8 M6 x 30mm JCB
x 4

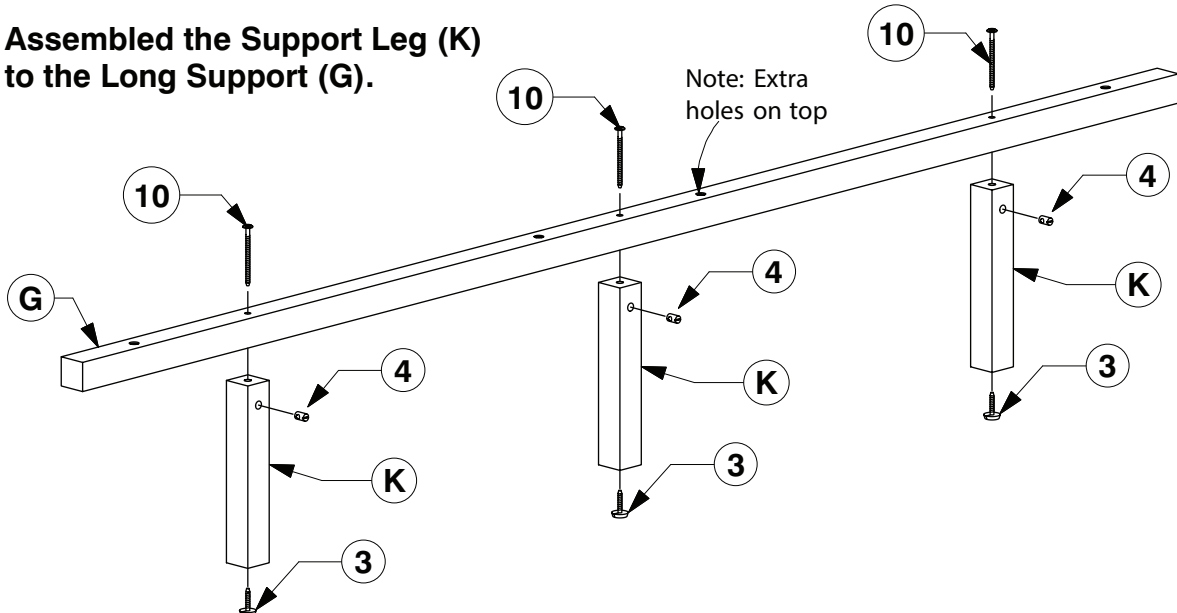


9 M6 x 40mm JCB
x 28

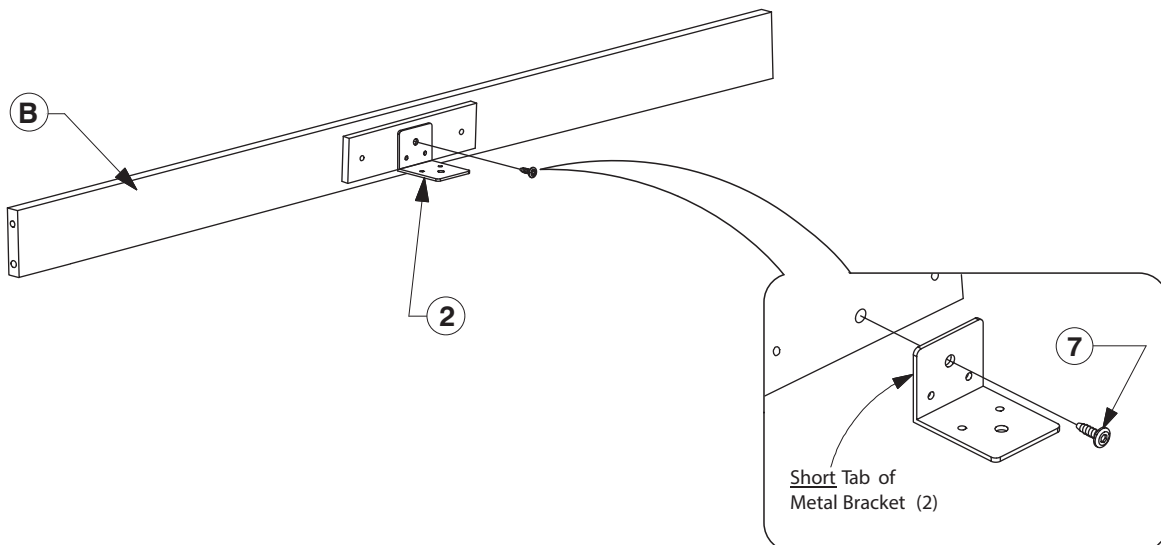


10 M6 x 90mm JCB x 3

4 Assembled the Support Leg (K) to the Long Support (G).



5 Fit the Center Rail Bracket (2) to the Headboard Support (B).

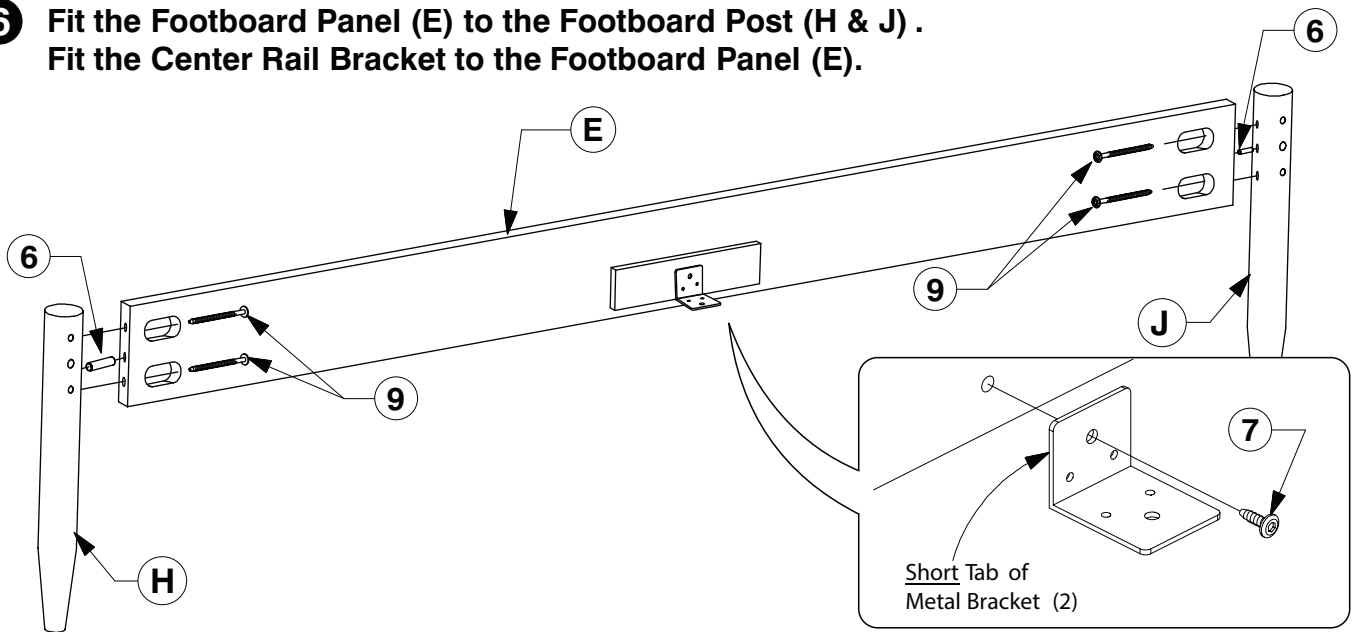


0240-1 Queen Bed

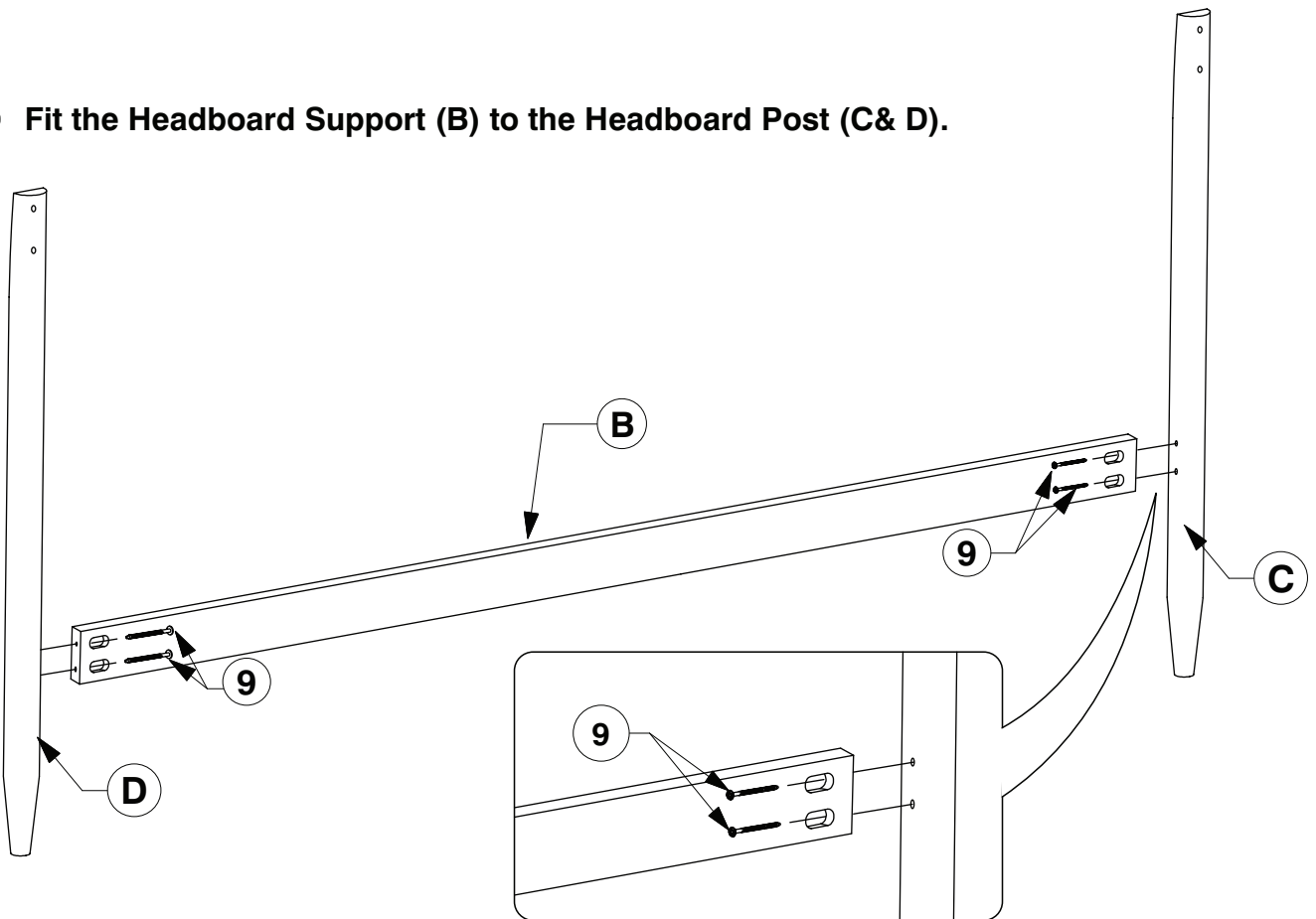
Assembly Instructions

WI-0724

- 6** Fit the Footboard Panel (E) to the Footboard Post (H & J).
Fit the Center Rail Bracket to the Footboard Panel (E).



- 7** Fit the Headboard Support (B) to the Headboard Post (C & D).

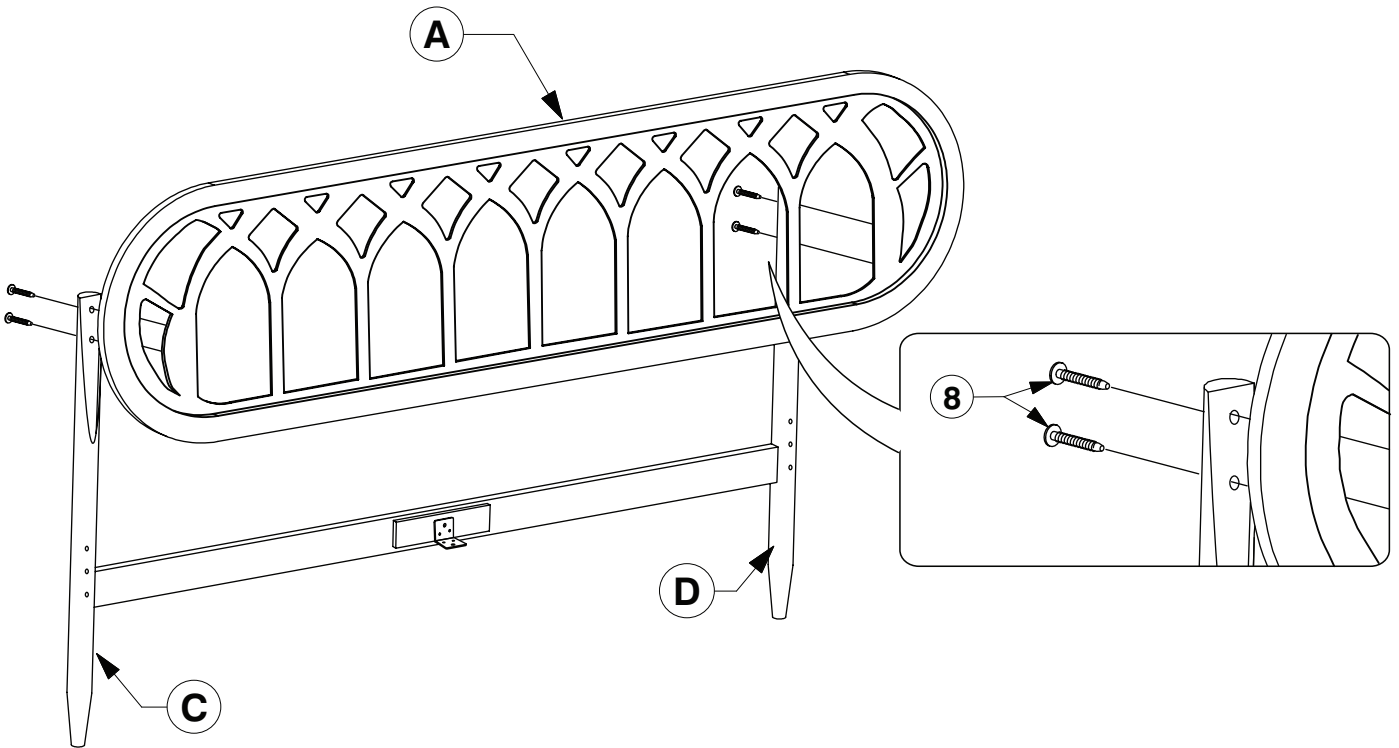


0240-1 Queen Bed

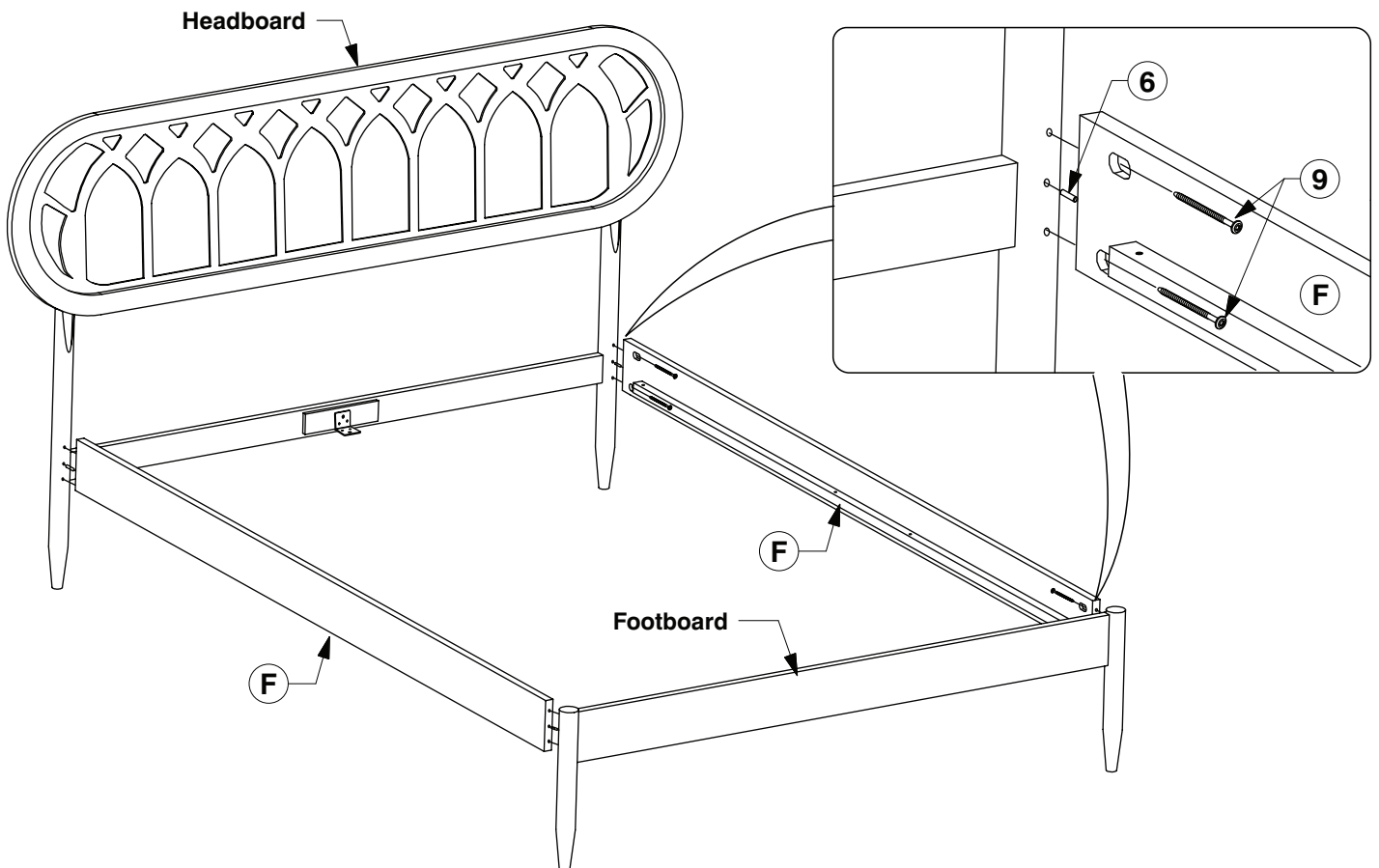
Assembly Instructions

WI-0724

- 8** Fit the Headboard Panel (A) to the Headboard Post (C & D).



- 9** Assemble the Side Rail (F) to the Headboard & Footboard.

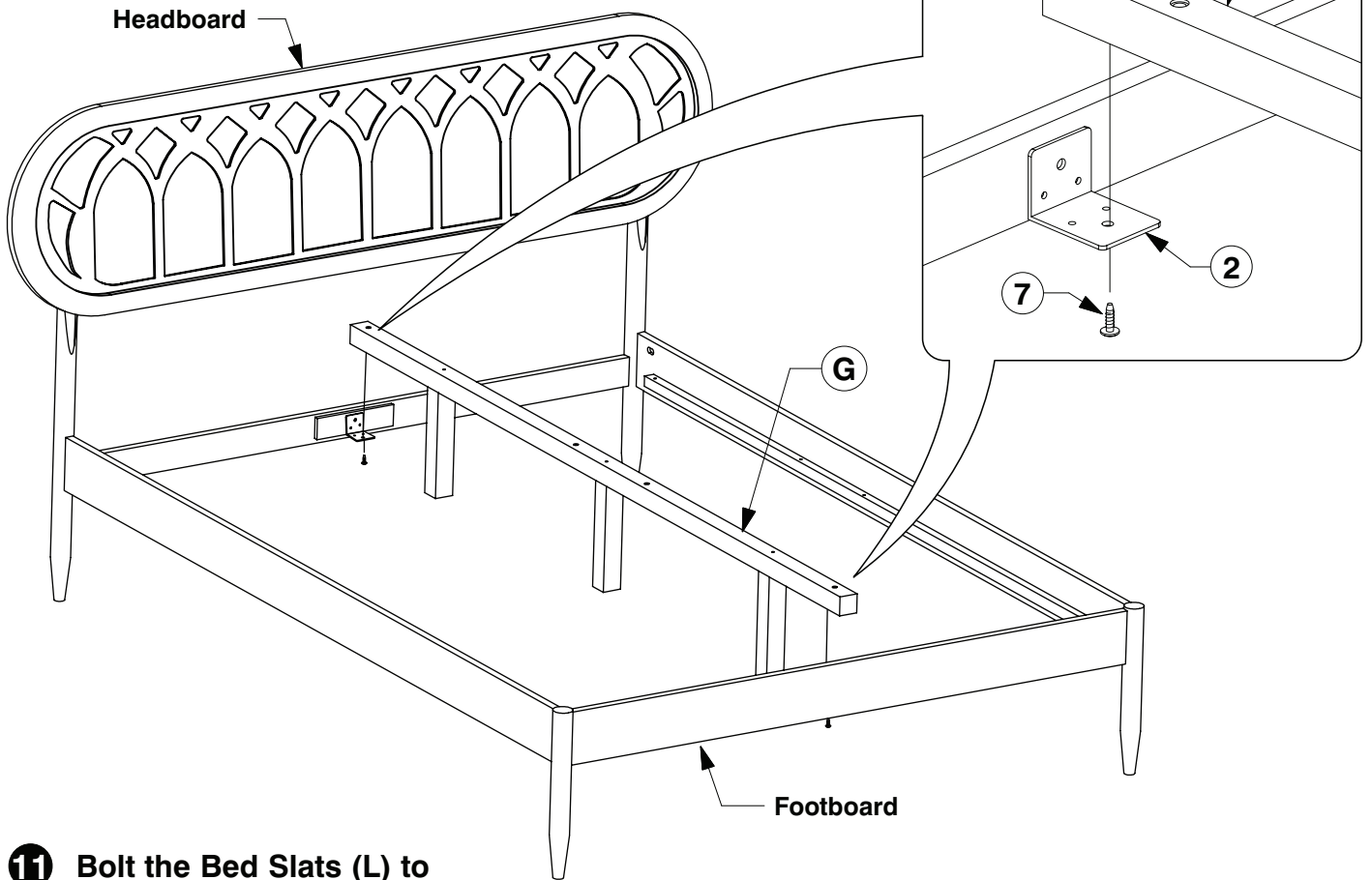


0240-1 Queen Bed

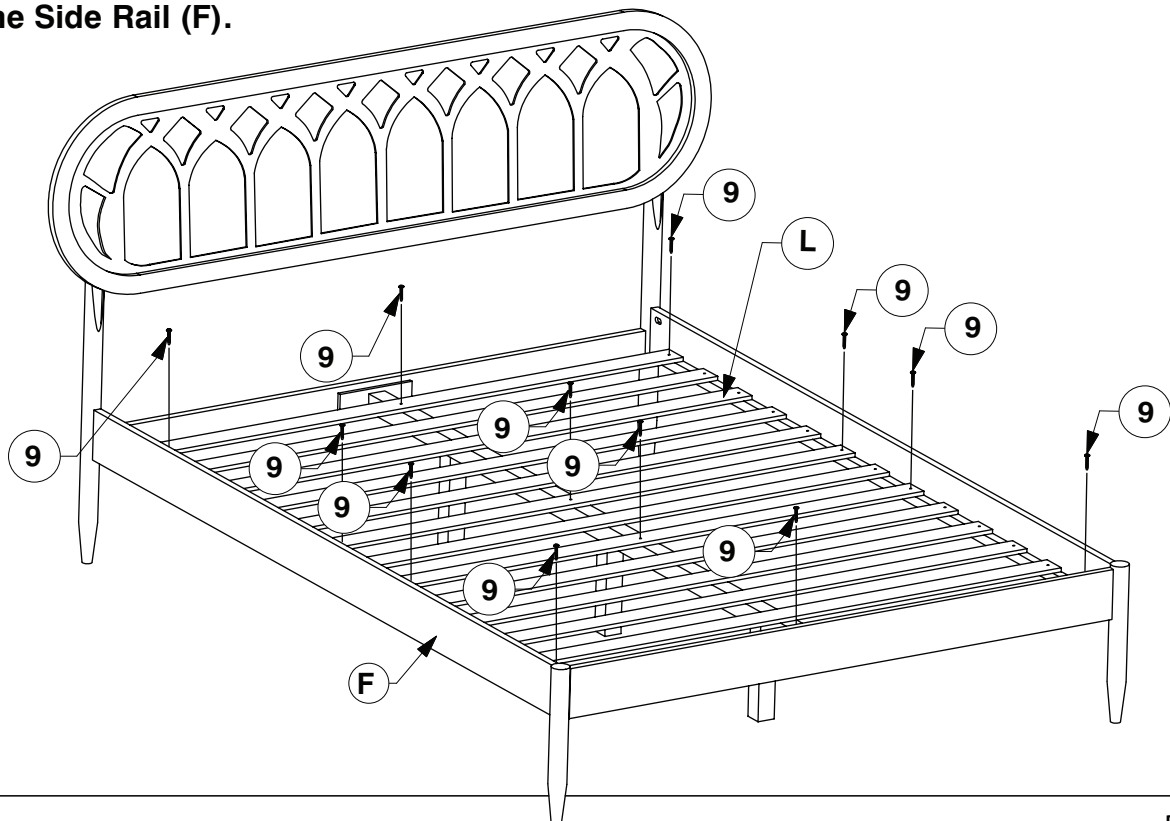
Assembly Instructions

WI-0724

- 10** Bolt the Long Support (G) to the Center Rail Brackets (2) on the Headboard / Footboard.



- 11** Bolt the Bed Slats (L) to the Side Rail (F).



0240-1 Queen Bed

Assembly Instructions

WI-0724

- 12** Screw the Bed Slats (L) to the Side Rail (F).

