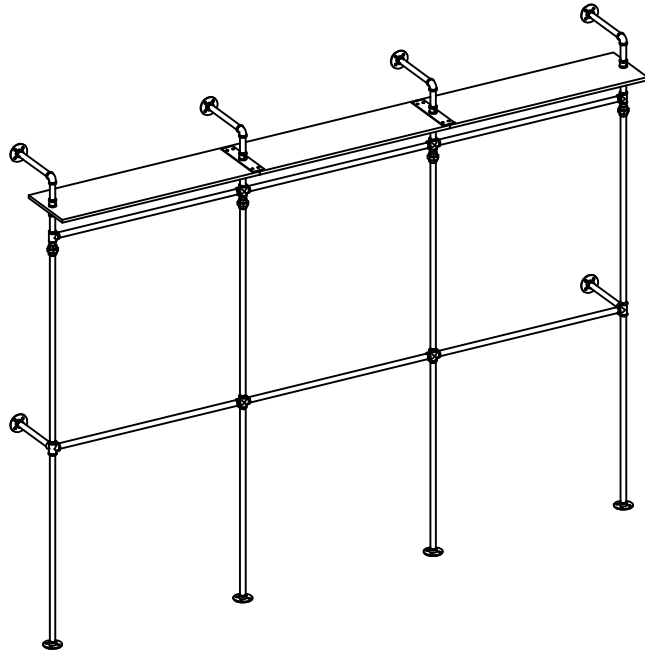
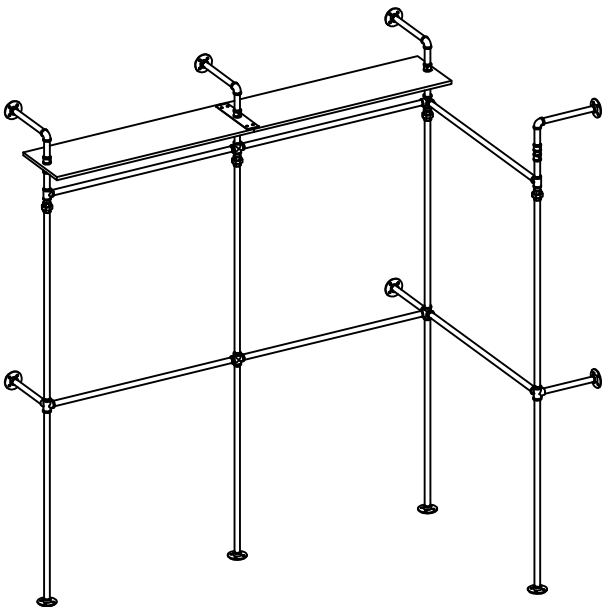


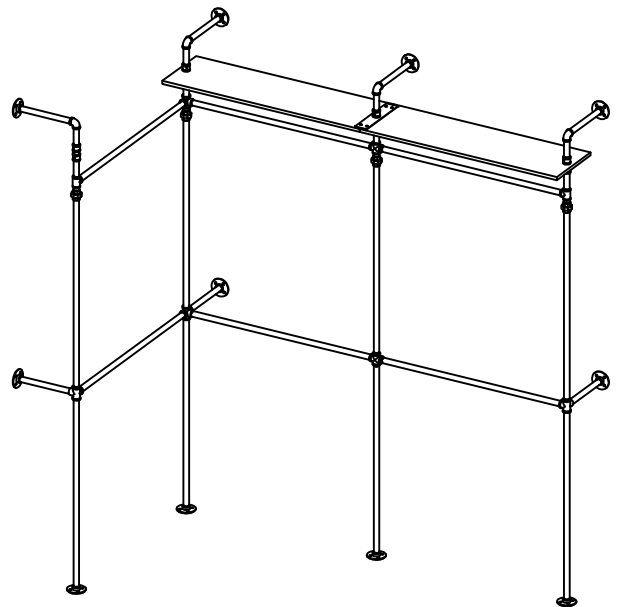
ASSEMBLY INSTRUCTION



Option A



Option B



Option C

(Note:Two people are recommended to install, which will greatly improve your installation efficiency.)

Thank you for purchasing our products.

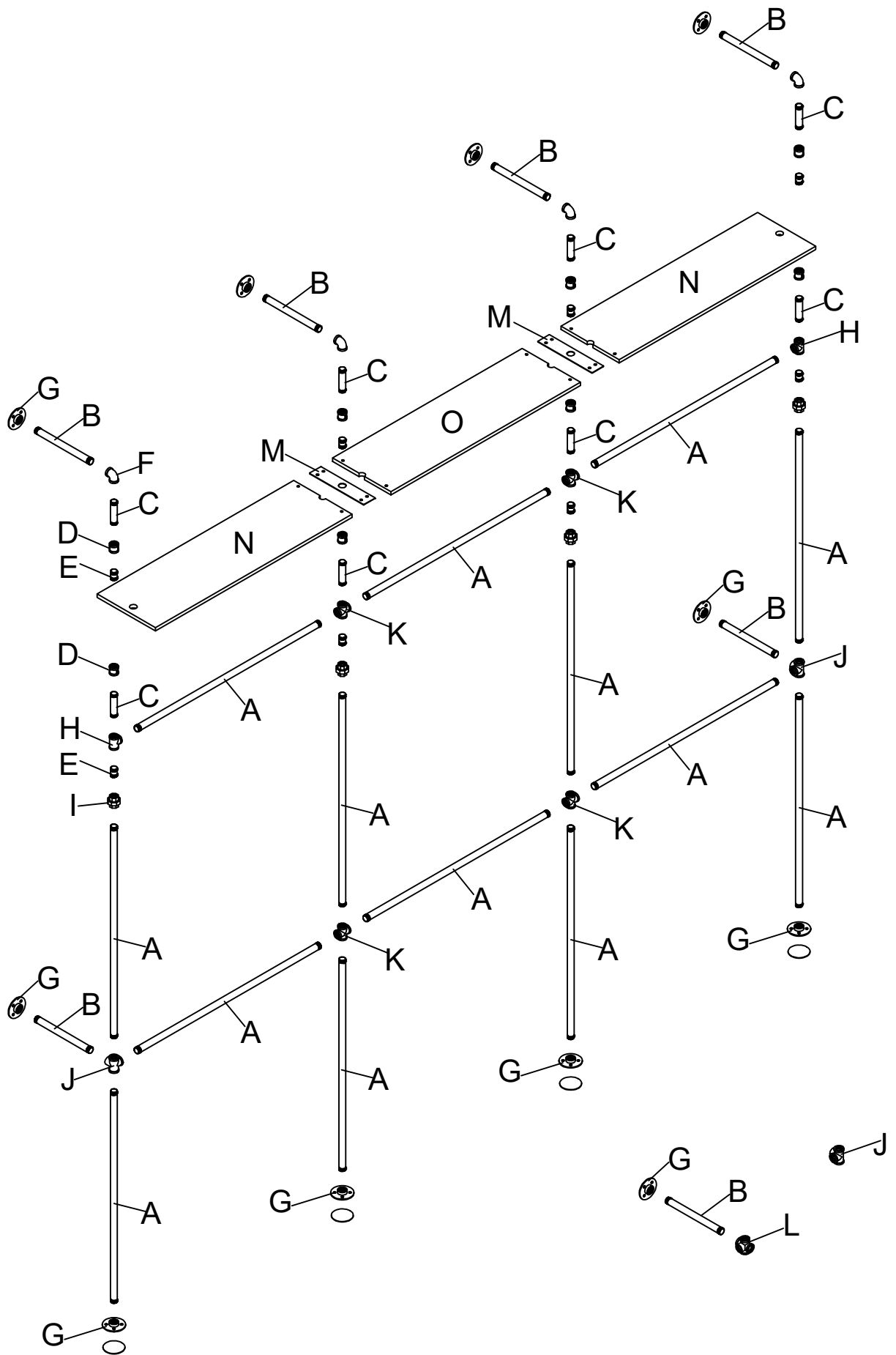
As a reliable seller, we have been pursuing to provide customers with 100% satisfied products and services, so we hope that you will enjoy this shopping experience.

If you find any damage, missing parts, or dissatisfaction after receiving the product, please feel free to contact us the first time, We will provide you with a 100% satisfactory solution.

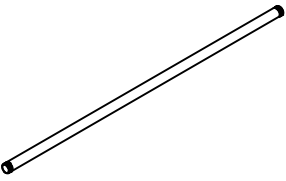
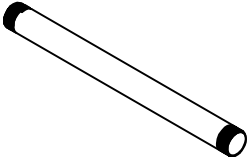




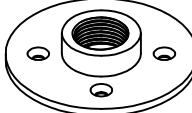

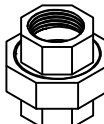


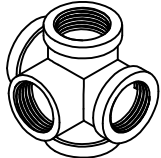
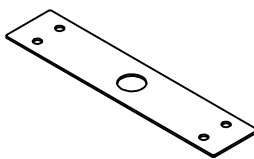
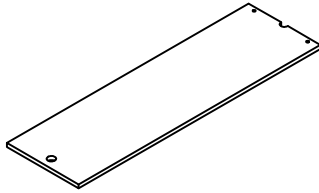
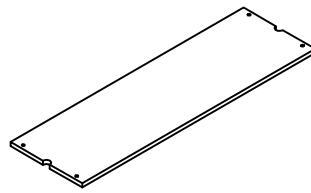
Thanks again for your order. And please feel free to contact us in case of any problem regarding assembling or the product itself. We will do everything we can to resolve it.

TIPS:

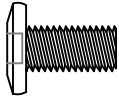
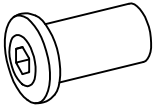

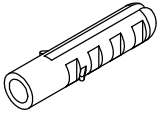
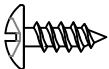

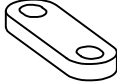


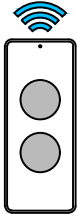
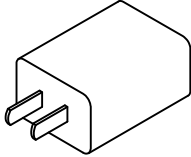
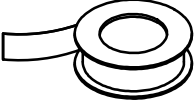
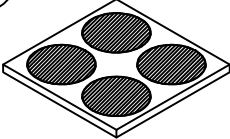

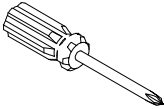
1. Please read this instruction manual carefully, follow it step by step and pay attention to the notes, you will assemble it quickly, safely and correctly.
2. Two people are recommended to install, which will greatly improve your installation efficiency.
3. Put the screws in loosely until all pieces are together and then tighten them all. It will save your time if you make a mistake while installing



PART LIST

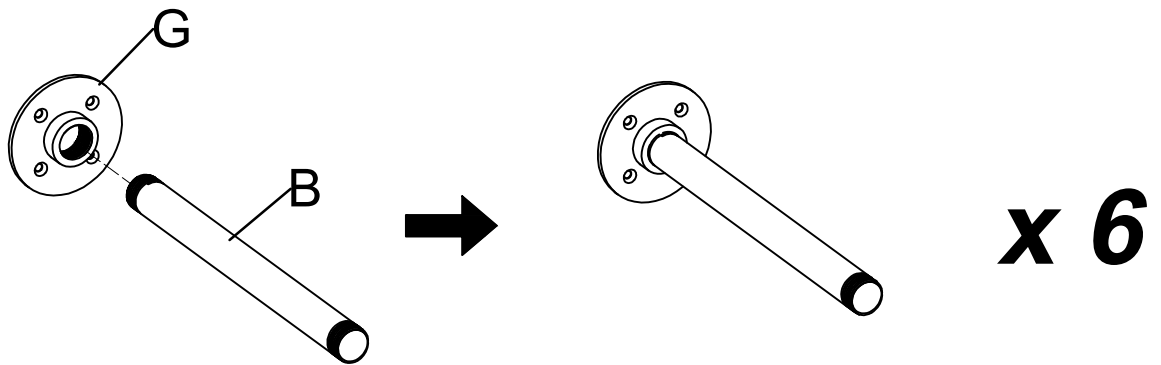
<p>A x 14pcs</p>  <p>Ø25x940</p>	<p>B x 7pcs</p>  <p>Ø25x280</p>	<p>C x 8pcs</p>  <p>Ø25x100</p>	<p>D x 8pcs</p> 
<p>E x 8pcs</p>  <p>Ø25x35</p>	<p>F x 4pcs</p> 	<p>G x 11pcs</p> 	<p>H x 2pcs</p> 
<p>I x 4pcs</p> 	<p>J x 3pcs</p> 	<p>K x 4pcs</p> 	<p>L x 1pc</p> 
<p>M x 2pcs</p> 	<p>N x 2pcs</p> 	<p>O x 1pc</p> 	

HARDWARE LIST

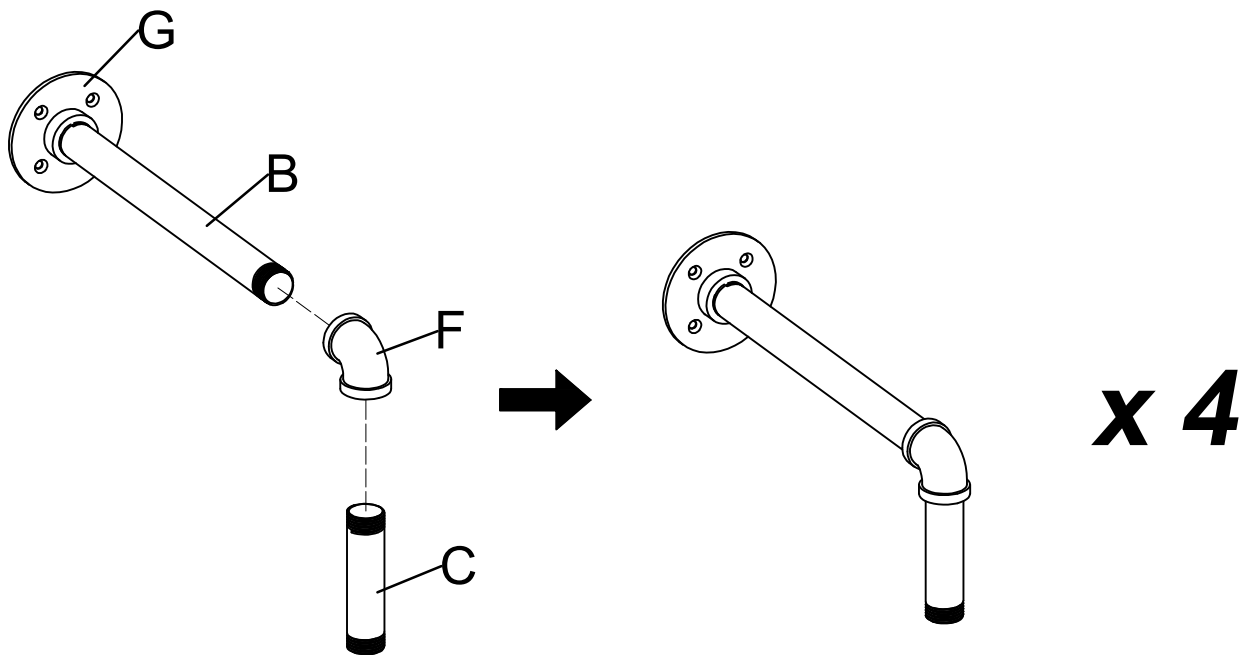
<p>①</p>  <p>M6x12 8 pcs</p>	<p>②</p>  <p>M6x15 8 pcs</p>	<p>③</p>  <p>M5x40 44 pcs</p>	<p>④</p>  <p>44 pcs</p>
<p>⑤</p>  <p>M3.5x12 23 pcs</p>	<p>⑥</p>  <p>3.0m 1 pc</p>	<p>⑦</p>  <p>3 pcs</p>	<p>⑧</p>  <p>17 pcs</p>
<p>⑨</p>  <p>165x15mm 4 pcs</p>	<p>⑩</p>  <p>RF Remote Control 1 pc</p>	<p>⑪</p>  <p>1 pc</p>	<p>⑫</p>  <p>3 pcs</p>
<p>⑬</p>  <p>1 pc</p>	<p>⑭</p>  <p>M4 2 pcs</p>	<p>⑮</p>  <p>1 pc</p>	

Option A

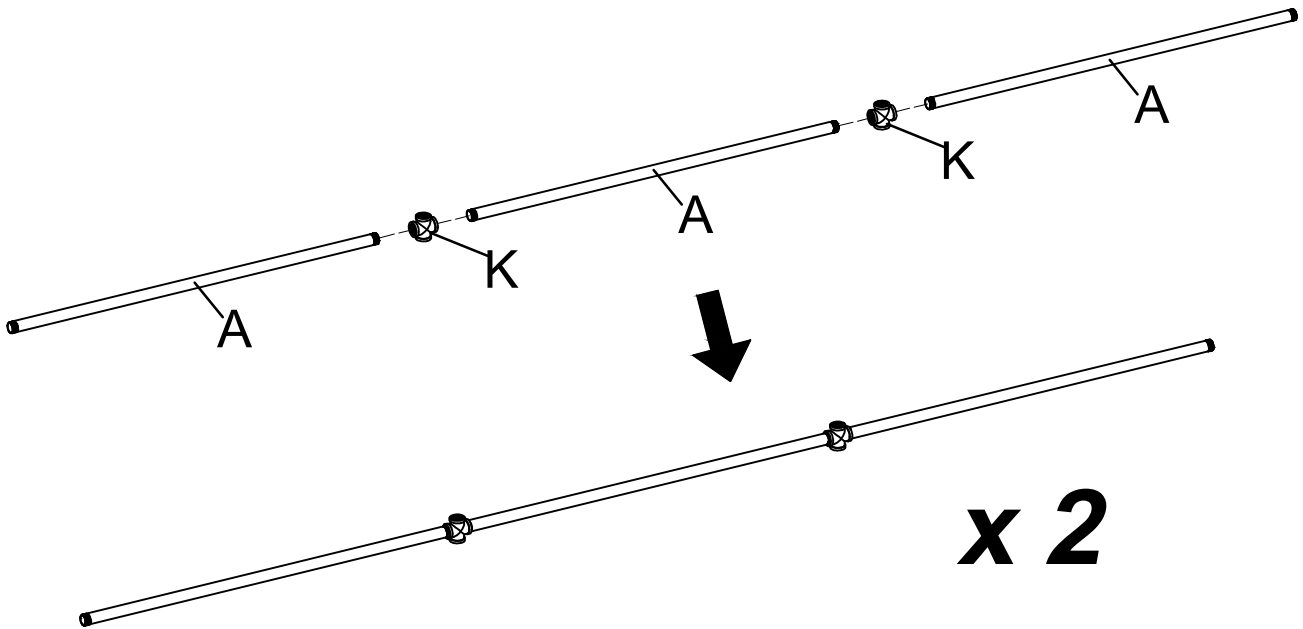
STEP 1



STEP 2

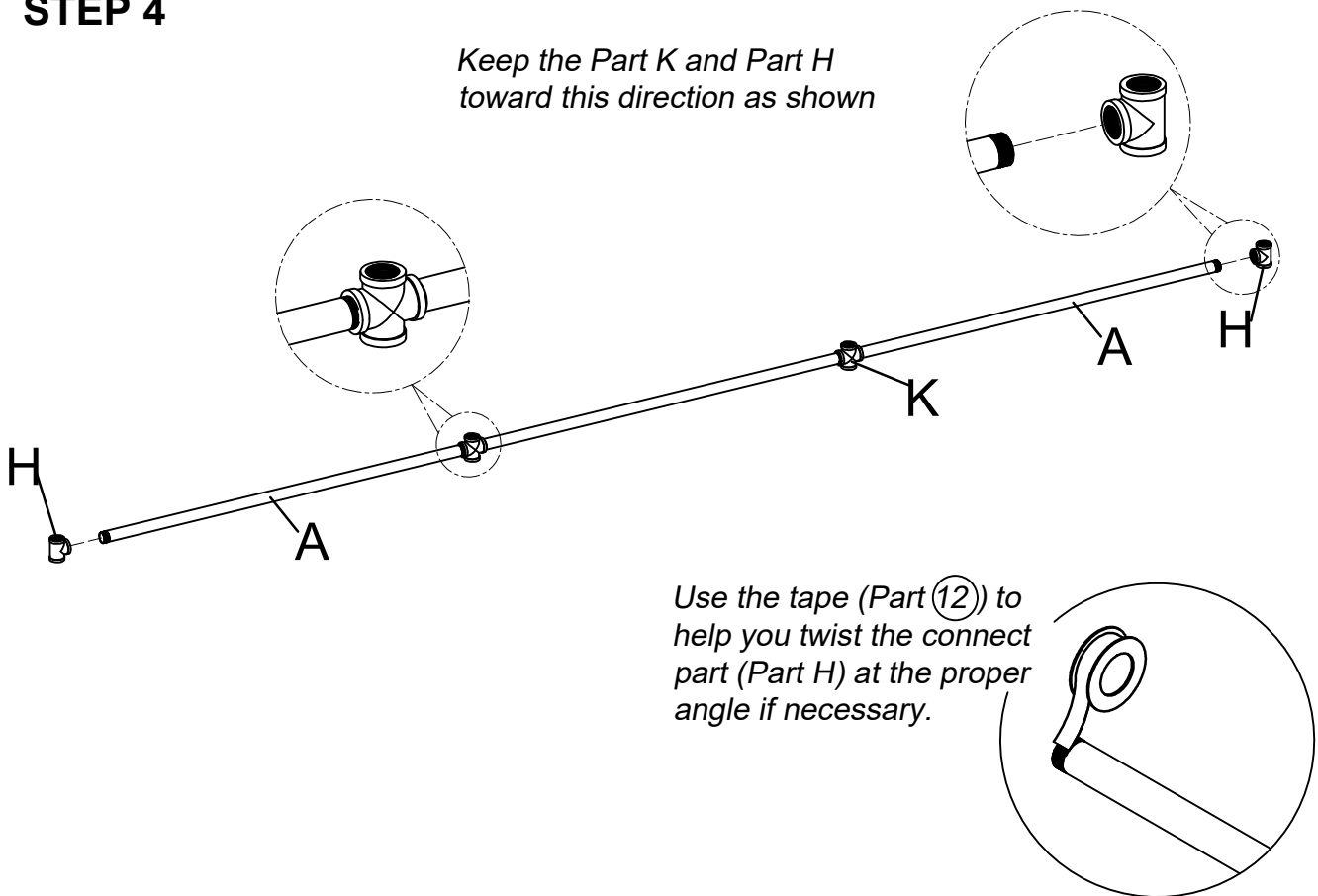


STEP 3

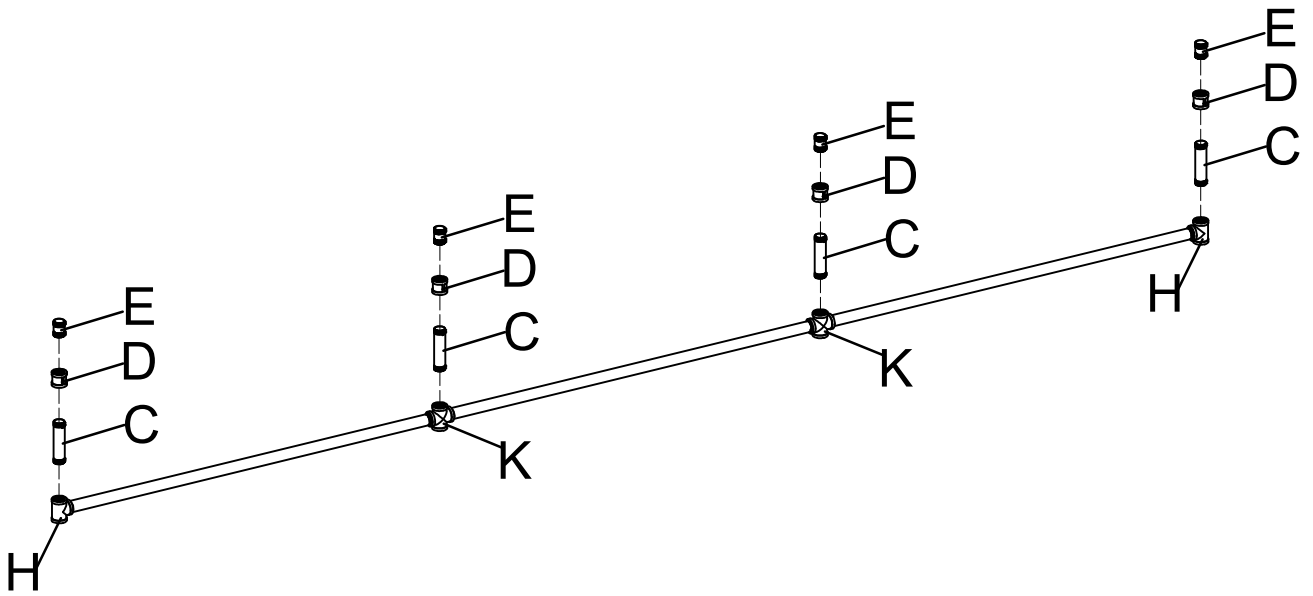


STEP 4

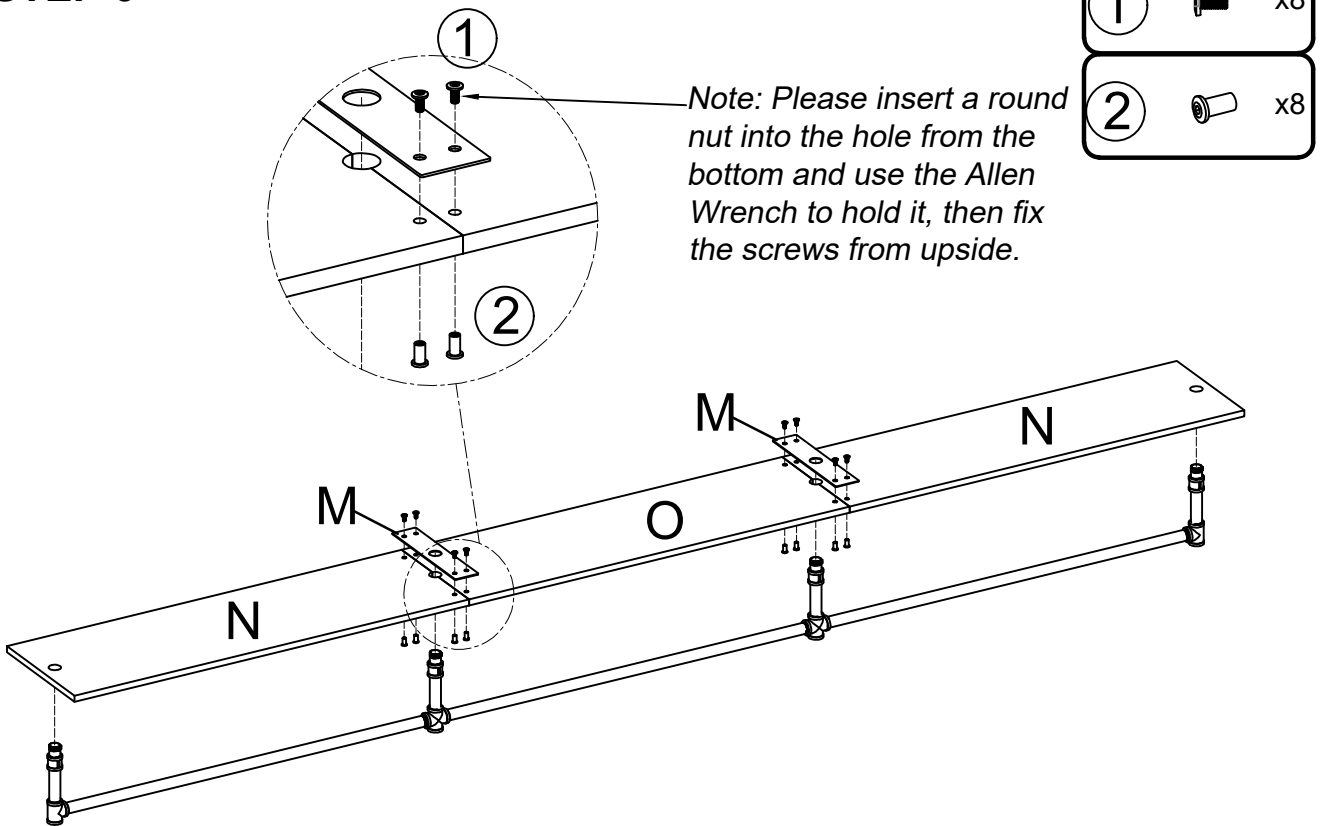
Keep the Part K and Part H toward this direction as shown



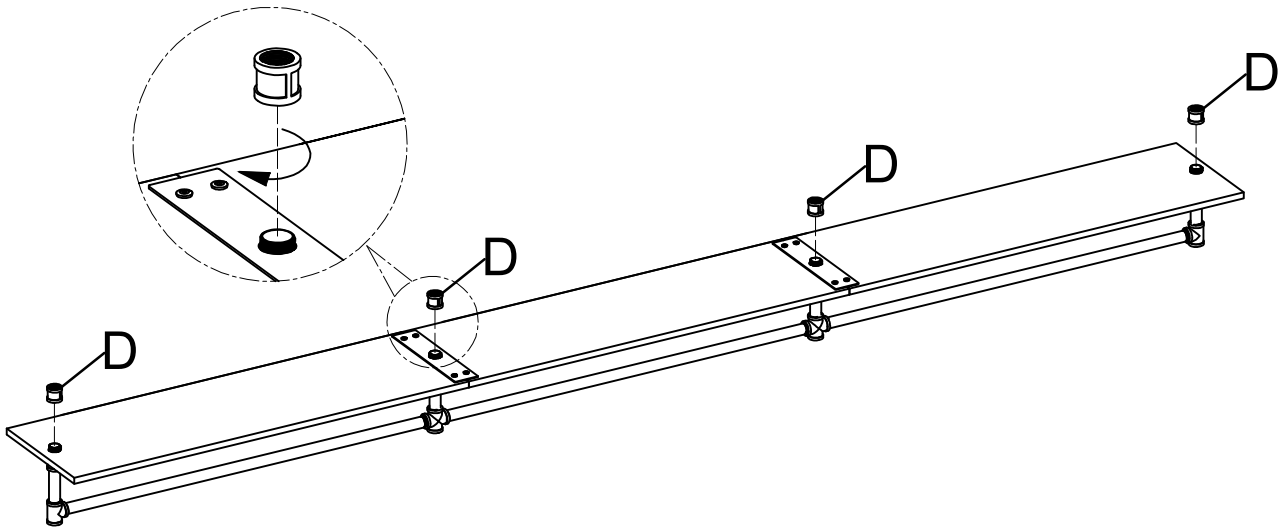
STEP 5



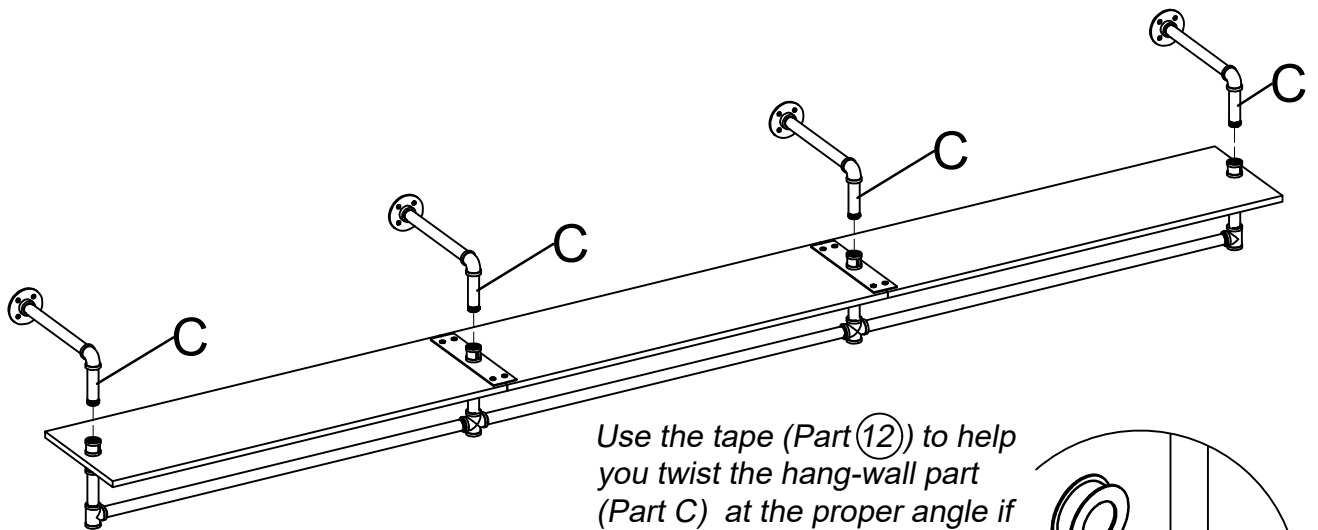
STEP 6



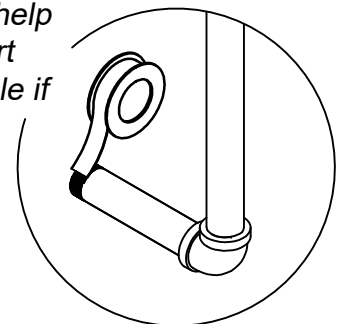
STEP 7



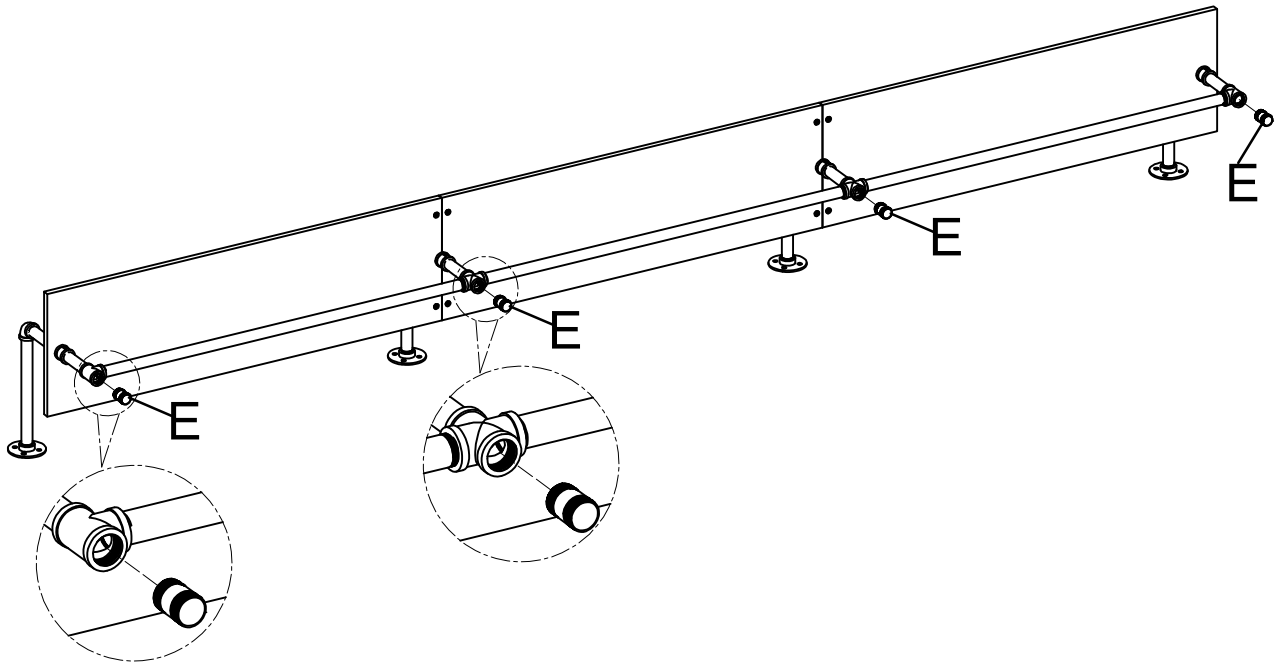
STEP 8



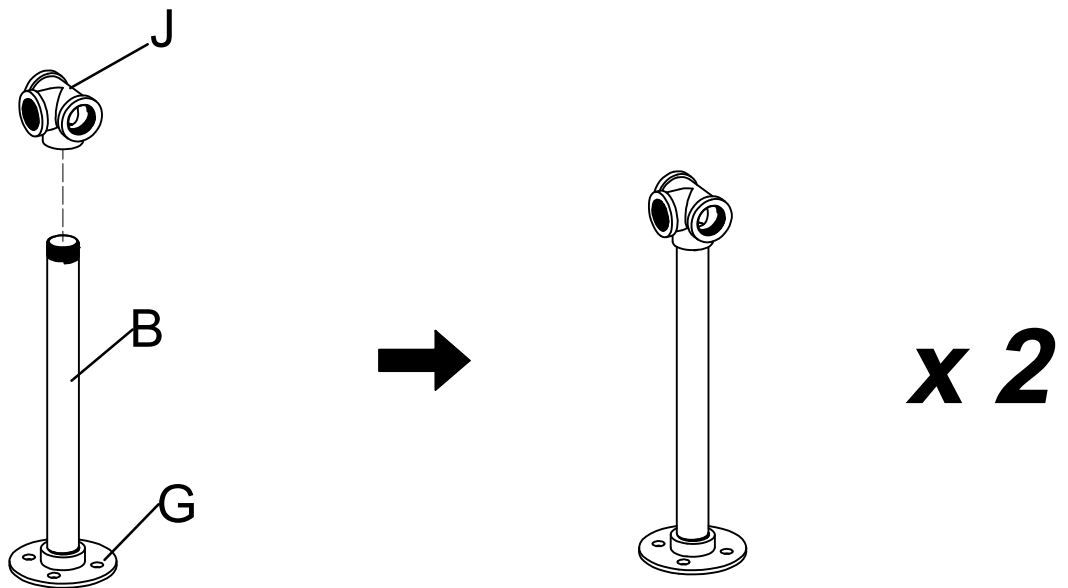
Use the tape (Part 12) to help you twist the hang-wall part (Part C) at the proper angle if necessary.



STEP 9

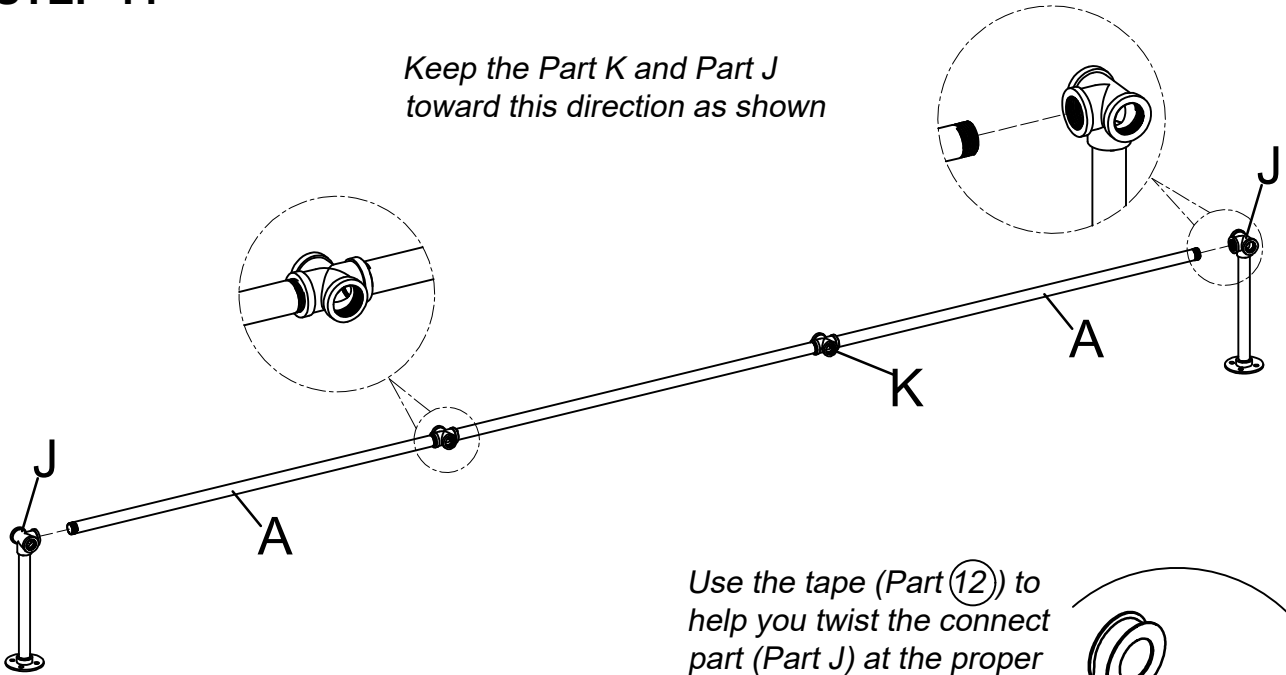


STEP 10

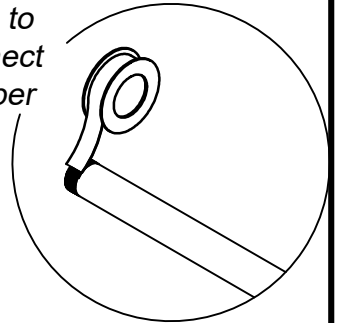


STEP 11

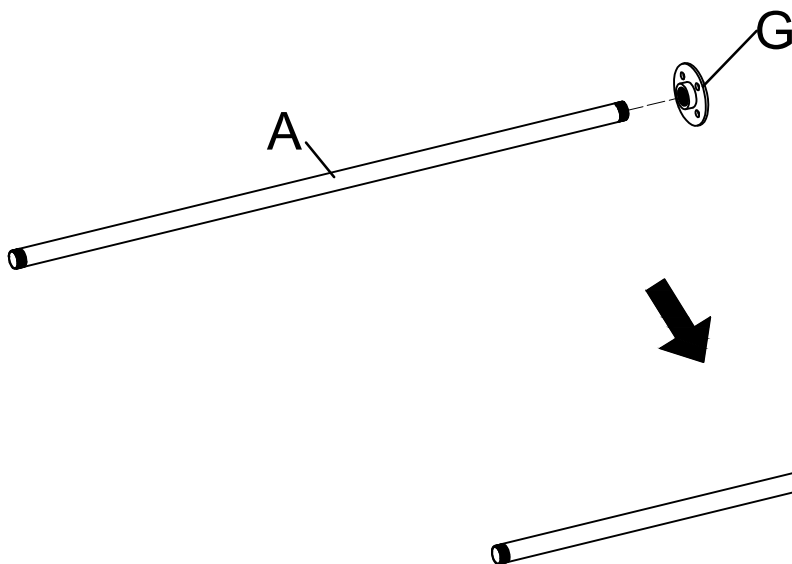
Keep the Part K and Part J toward this direction as shown



Use the tape (Part 12) to help you twist the connect part (Part J) at the proper angle if necessary.

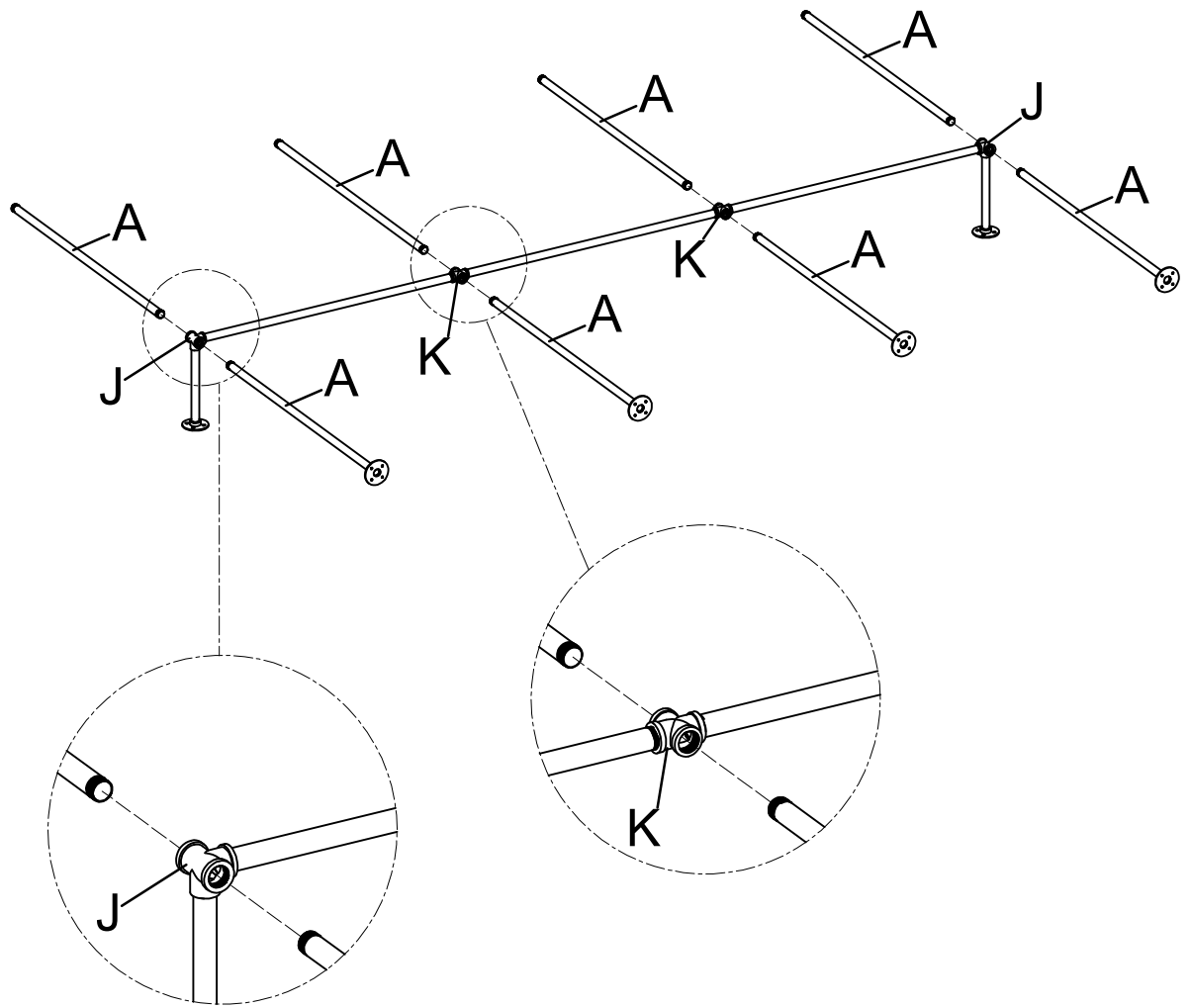


STEP 12



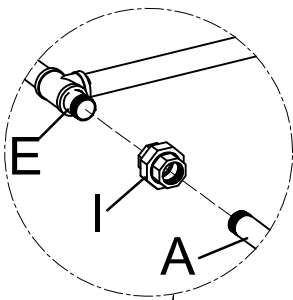
x 4

STEP 13

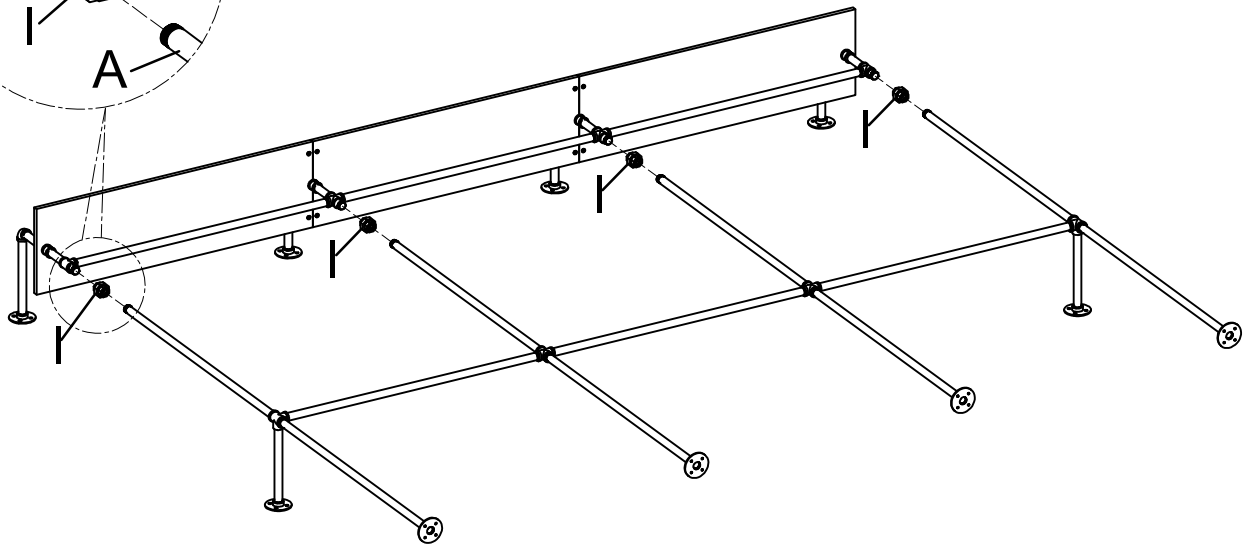


STEP 14

We recommend 2 person to assemble.




Use the special connector (Part I) to attach bottom frame to upper frame.

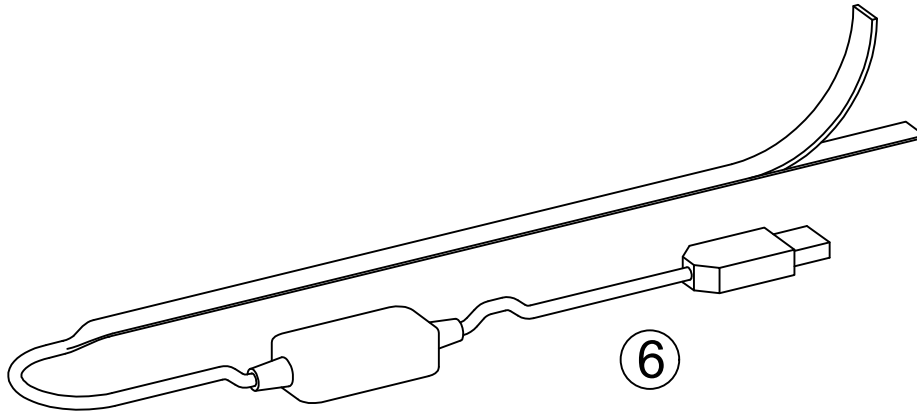


	<p>1</p>	<p>2</p>	<p>3</p>	<p>4</p>
<p><i>The connector assembled by three parts(i1, i2, i3)</i></p>	<p><i>Loosen part i1 a little to make part i3 movable.</i></p>	<p><i>Attach part i1 to frame by twisting part i1.</i></p>	<p><i>Attach part i3 to frame by twisting part i3.</i></p>	<p><i>Tight part i1 and part i3 by twisting part i2.</i></p>

STEP 15

6  x1

Tear off tape of the LED strip.



STEP 16

Stick the LED strip to bottom of top panels (part N/O), Fix the LED strip with plastic clips.

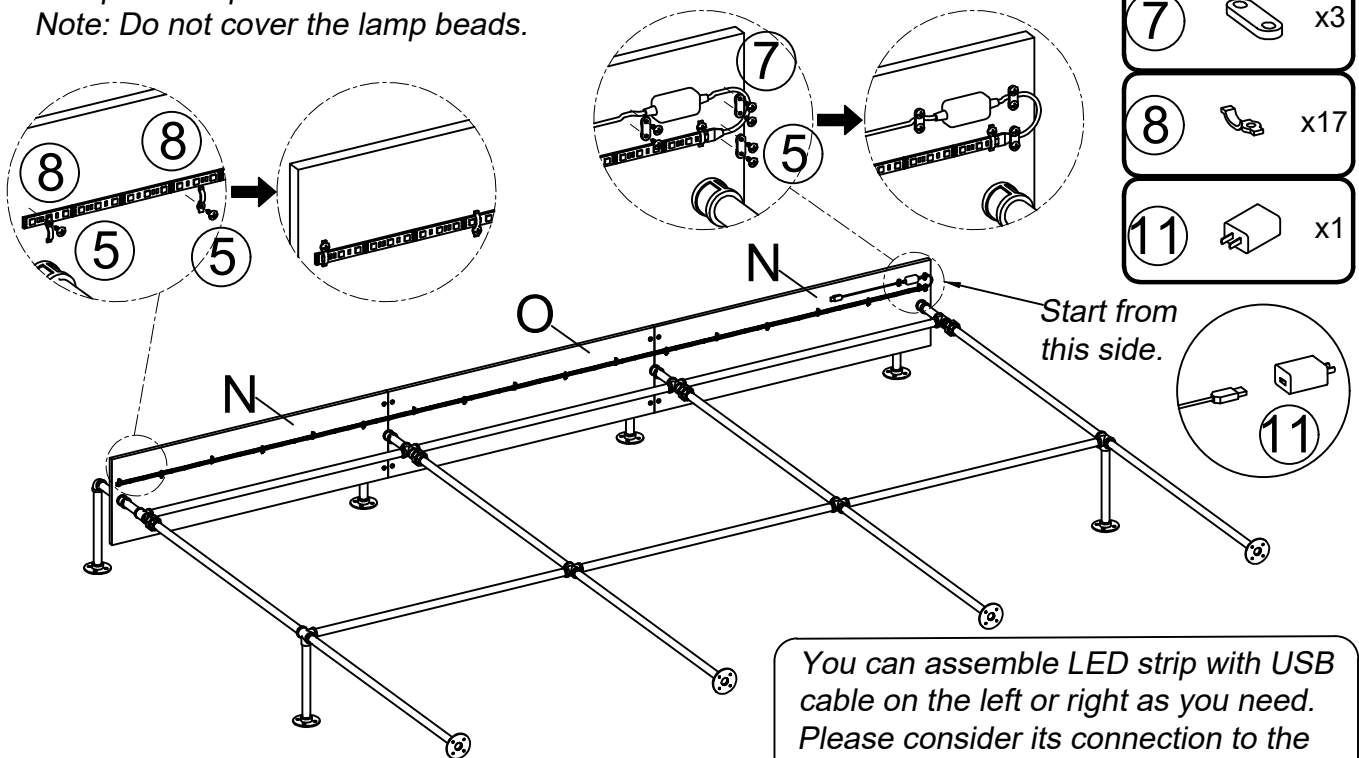
Note: Do not cover the lamp beads.

5  x23

7  x3

8  x17





11  x1

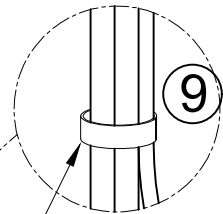
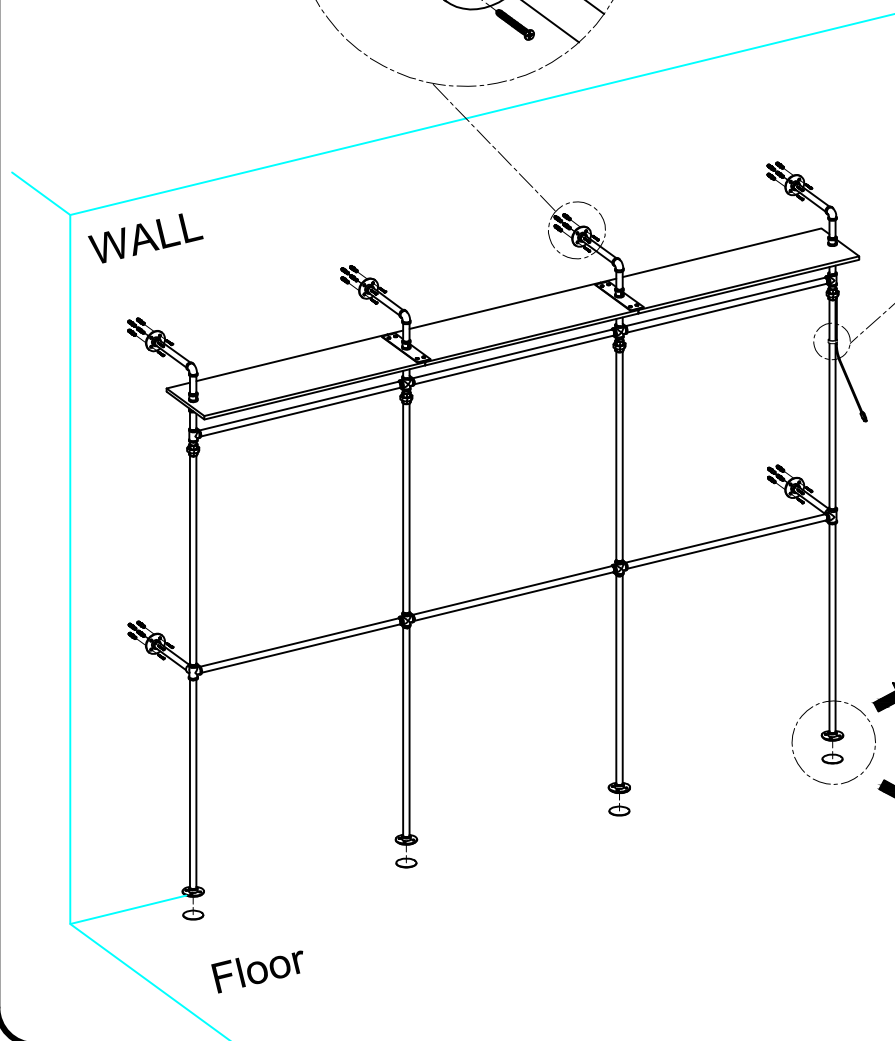
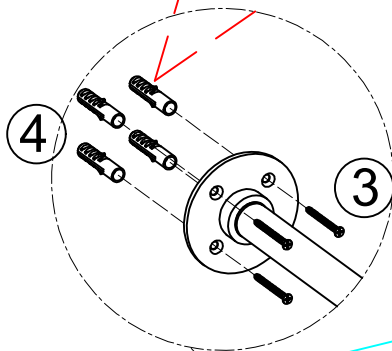
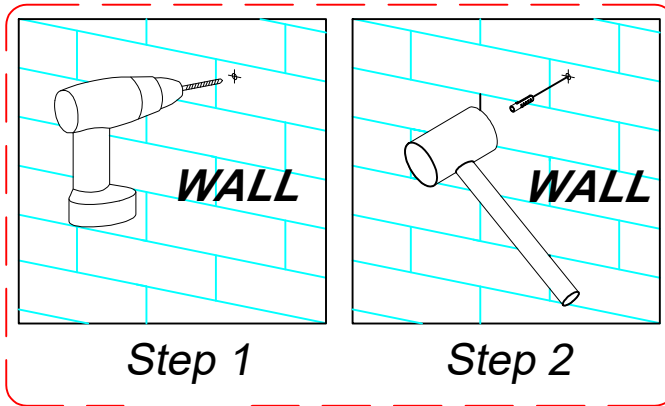


You can assemble LED strip with USB cable on the left or right as you need. Please consider its connection to the power strips.

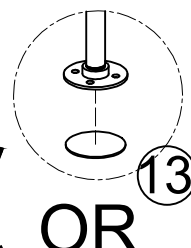
STEP 17

Mount the rack to wall.

- ③  x24
- ④  x24
- ⑨  x4
- ⑬  x1

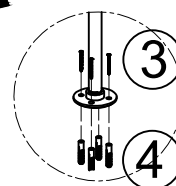


Velcro tape can wrap the wires, making your rack look neater



Shock-absorbing Foam Cushion. Scratching of the floor is prevented.

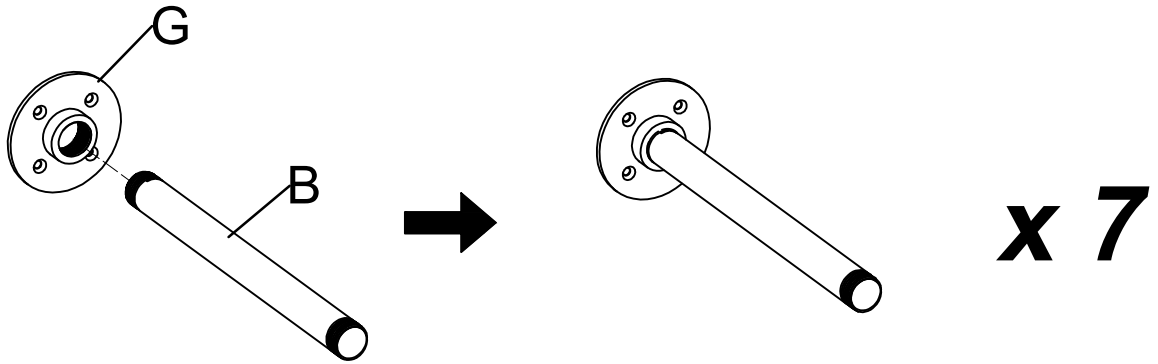
OR



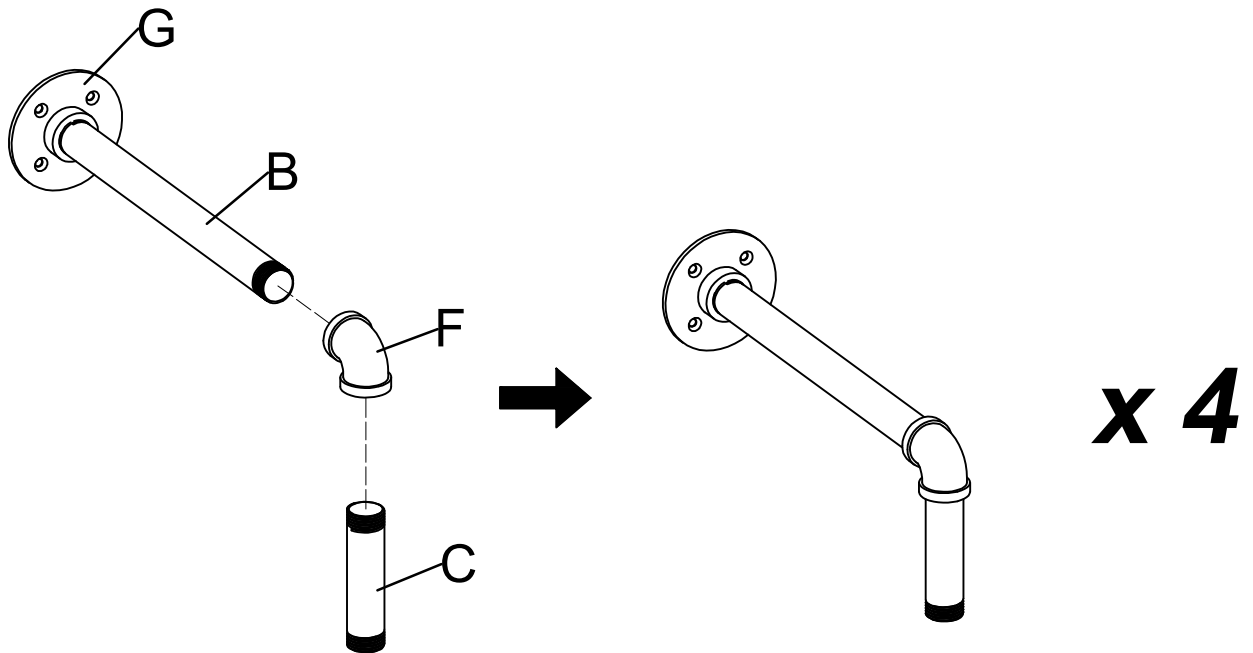
You can also mount the frame to floor as you need.

Option B

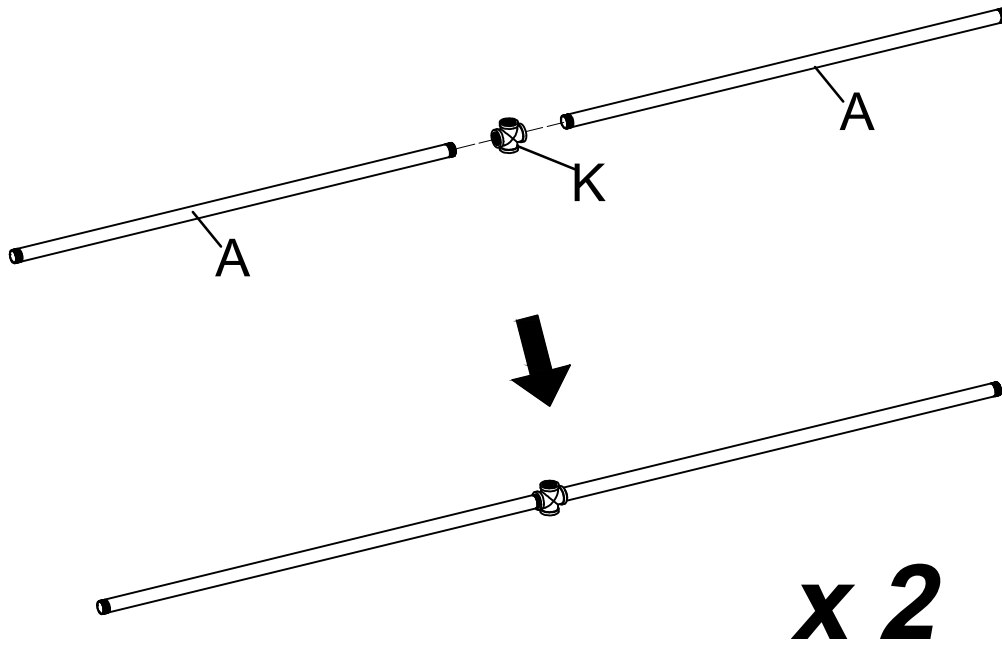
STEP 1



STEP 2

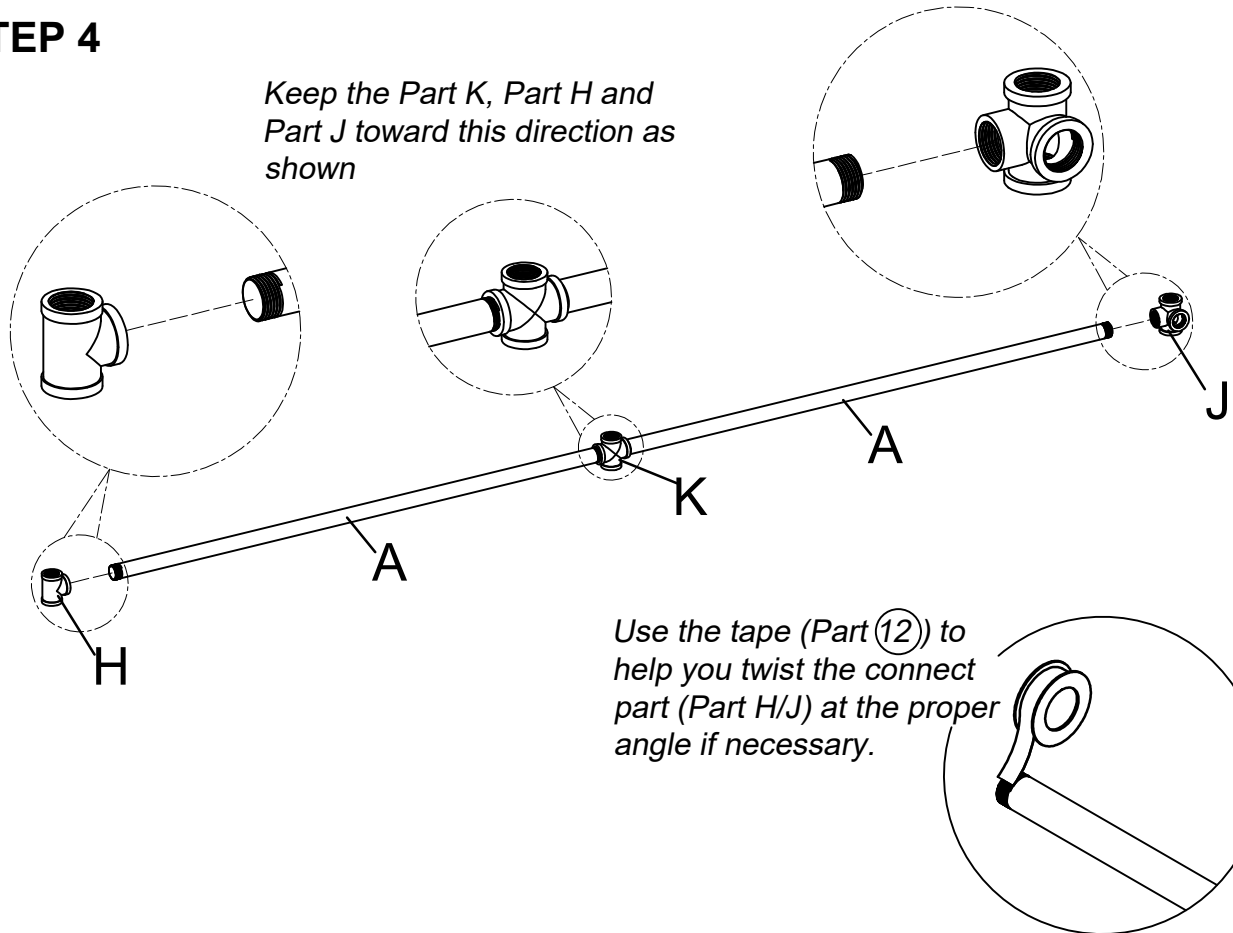


STEP 3

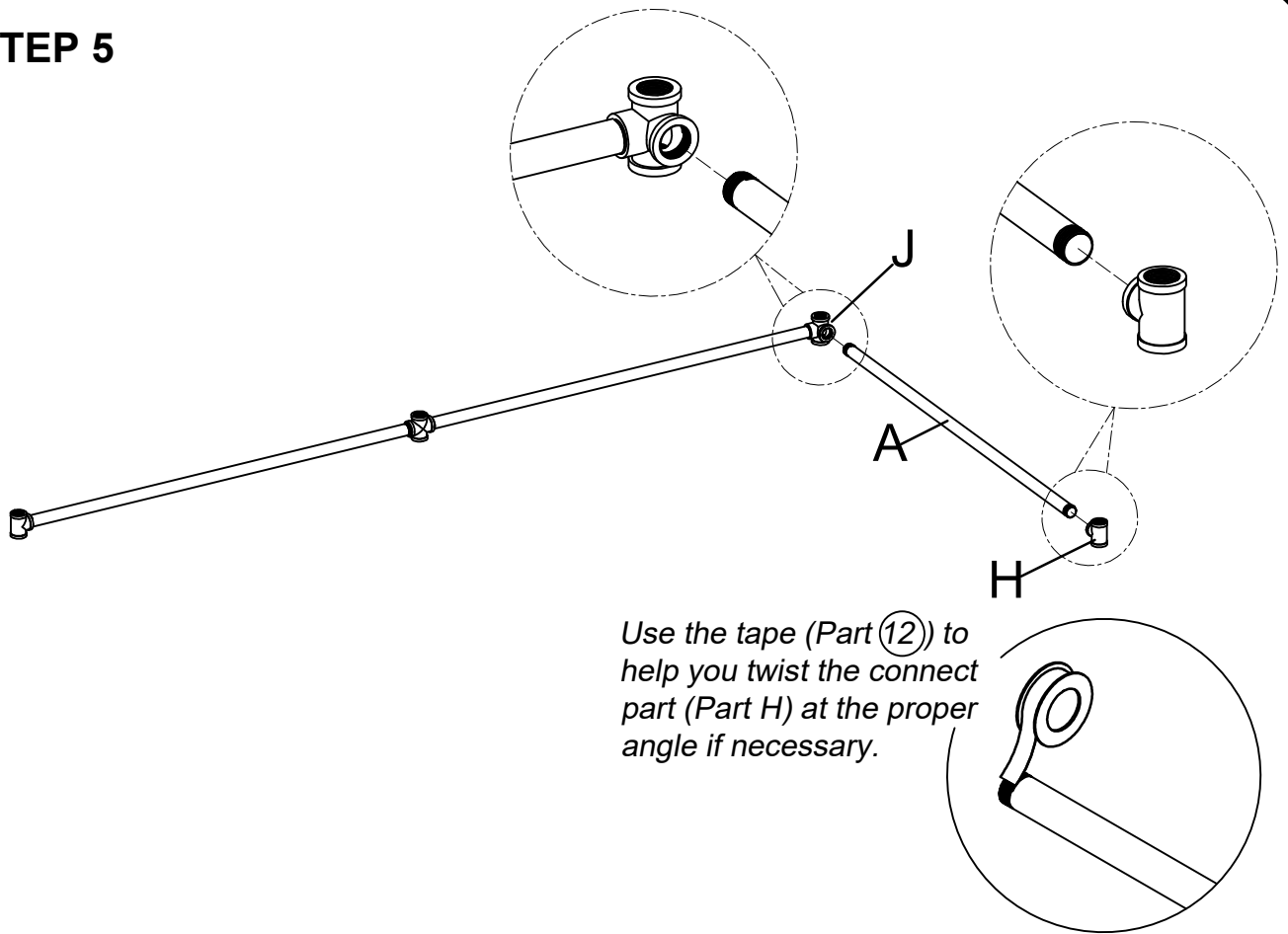


STEP 4

Keep the Part K, Part H and Part J toward this direction as shown

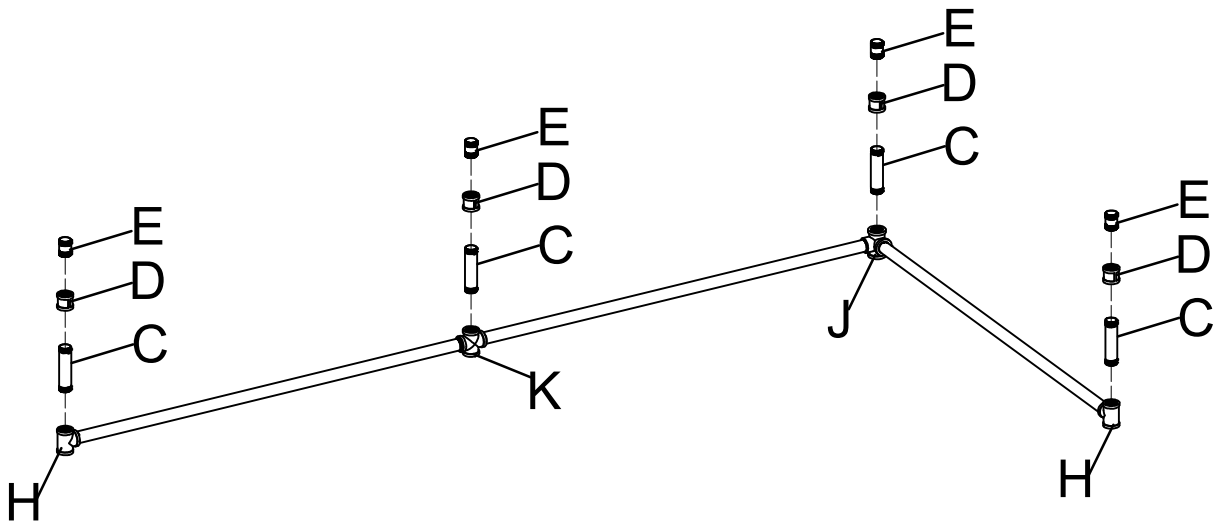


STEP 5

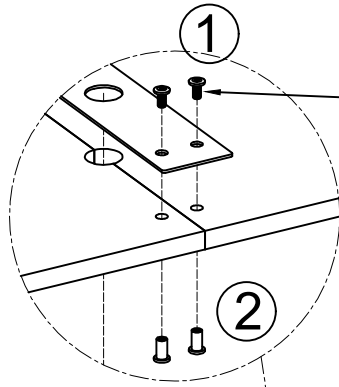


Use the tape (Part 12) to help you twist the connect part (Part H) at the proper angle if necessary.

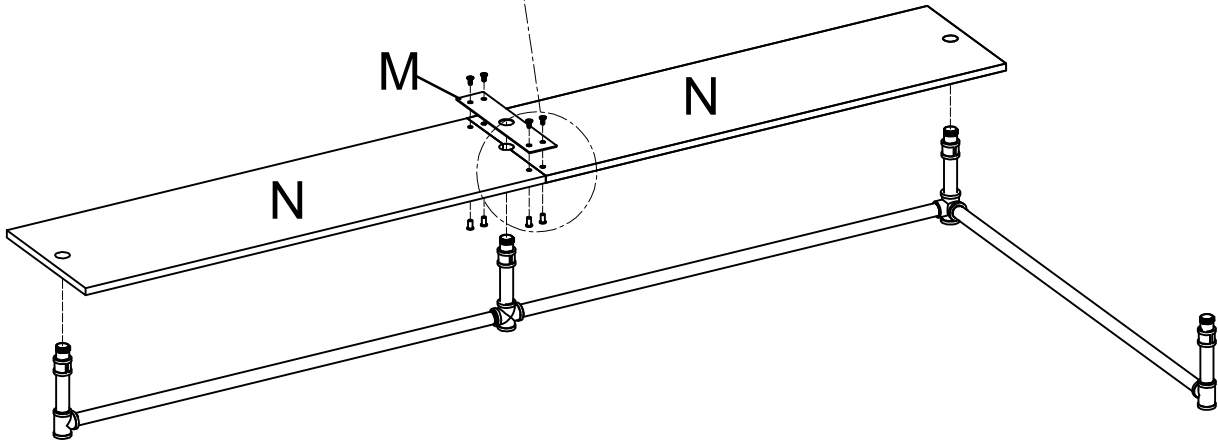
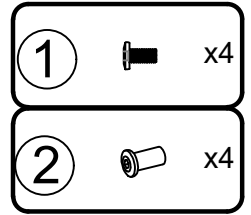
STEP 6



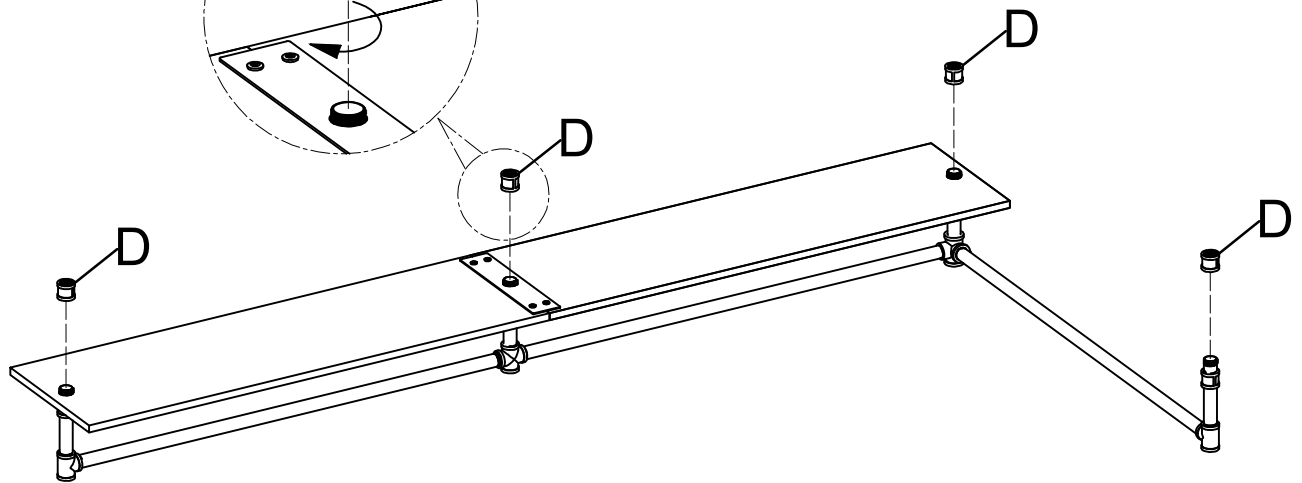
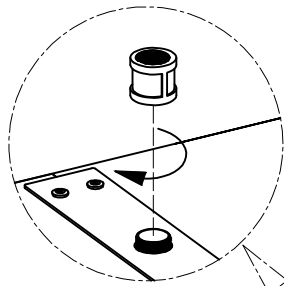
STEP 7



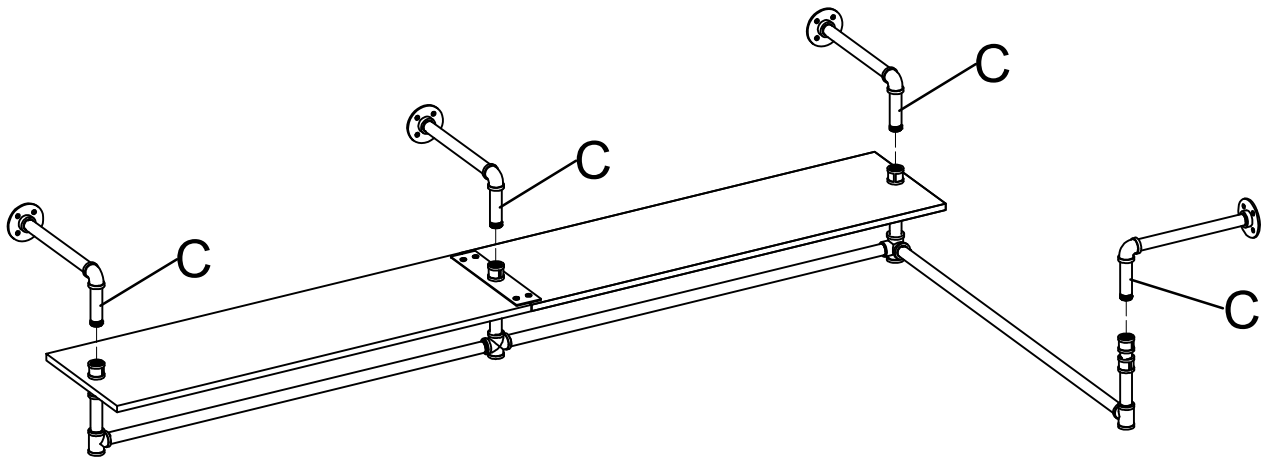
Note: Please insert a round nut into the hole from the bottom and use the Allen Wrench to hold it, then fix the screws from upside.



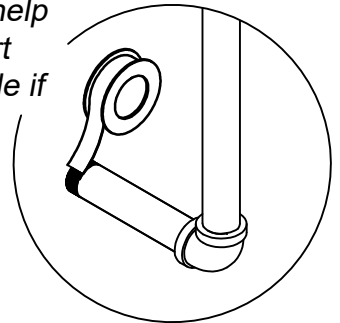
STEP 8



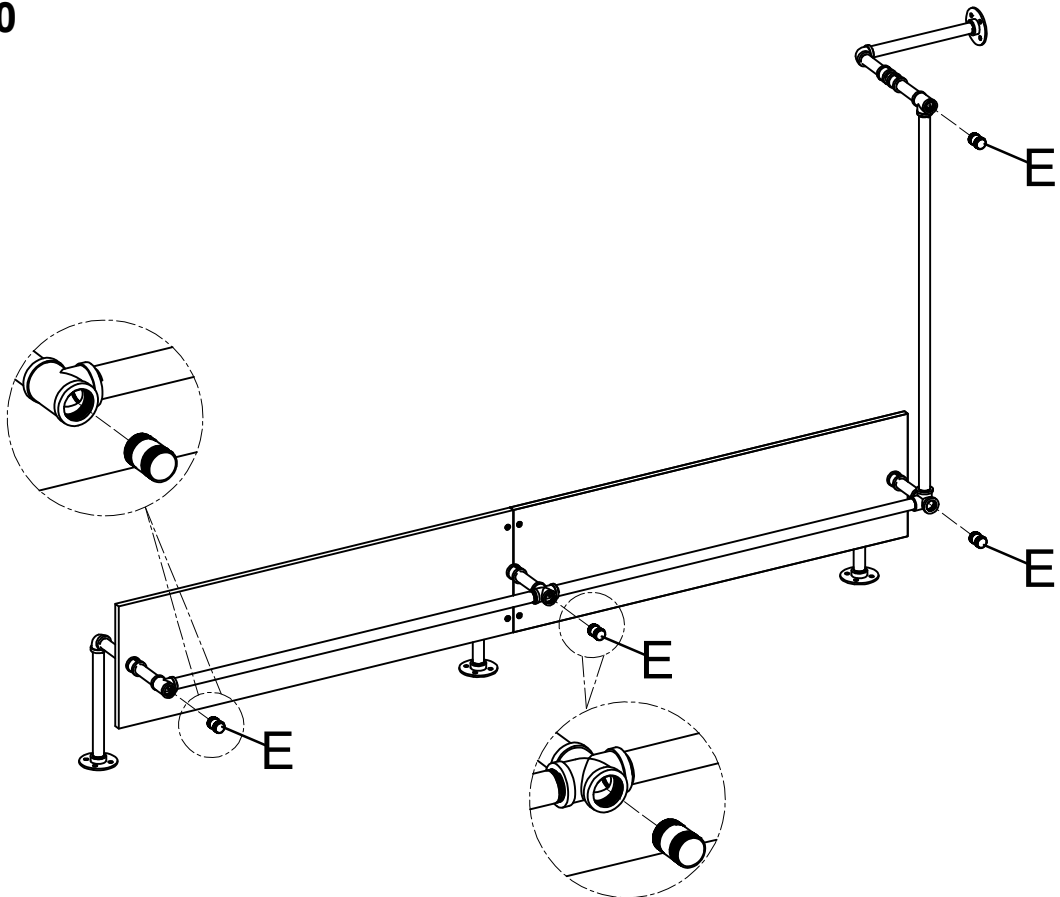
STEP 9



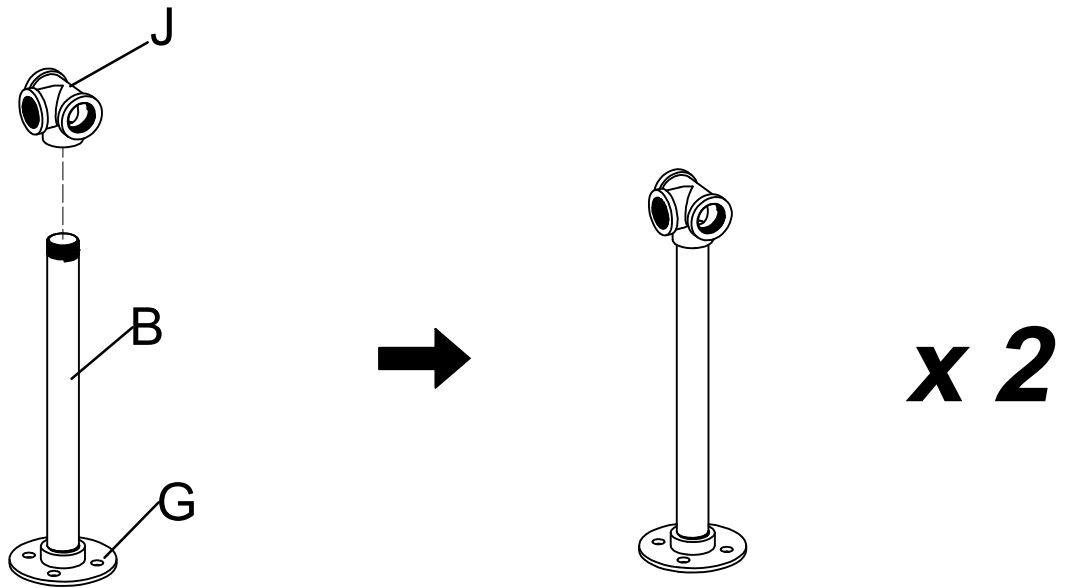
Use the tape (Part 12) to help you twist the hang-wall part (Part C) at the proper angle if necessary.



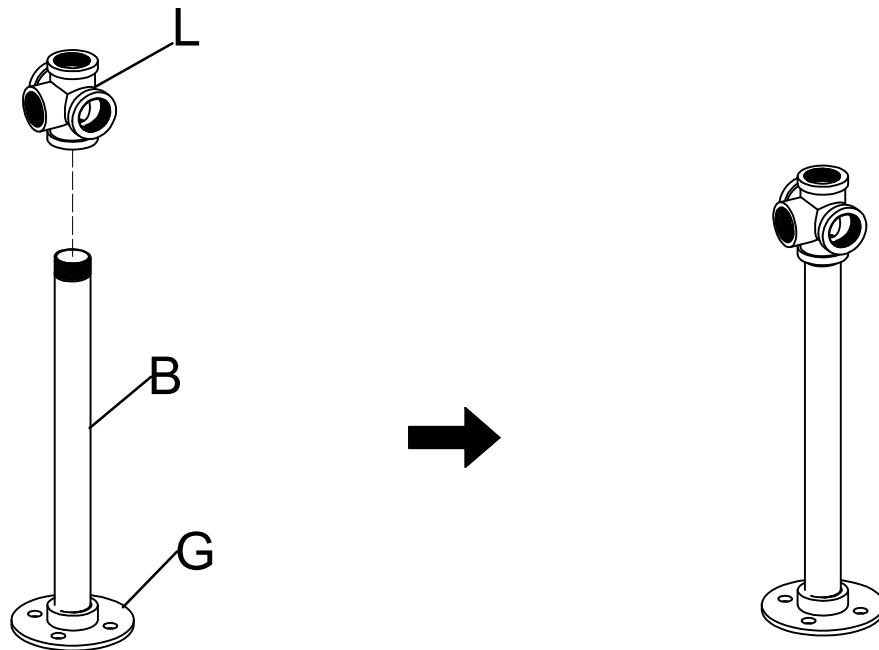
STEP 10



STEP 11

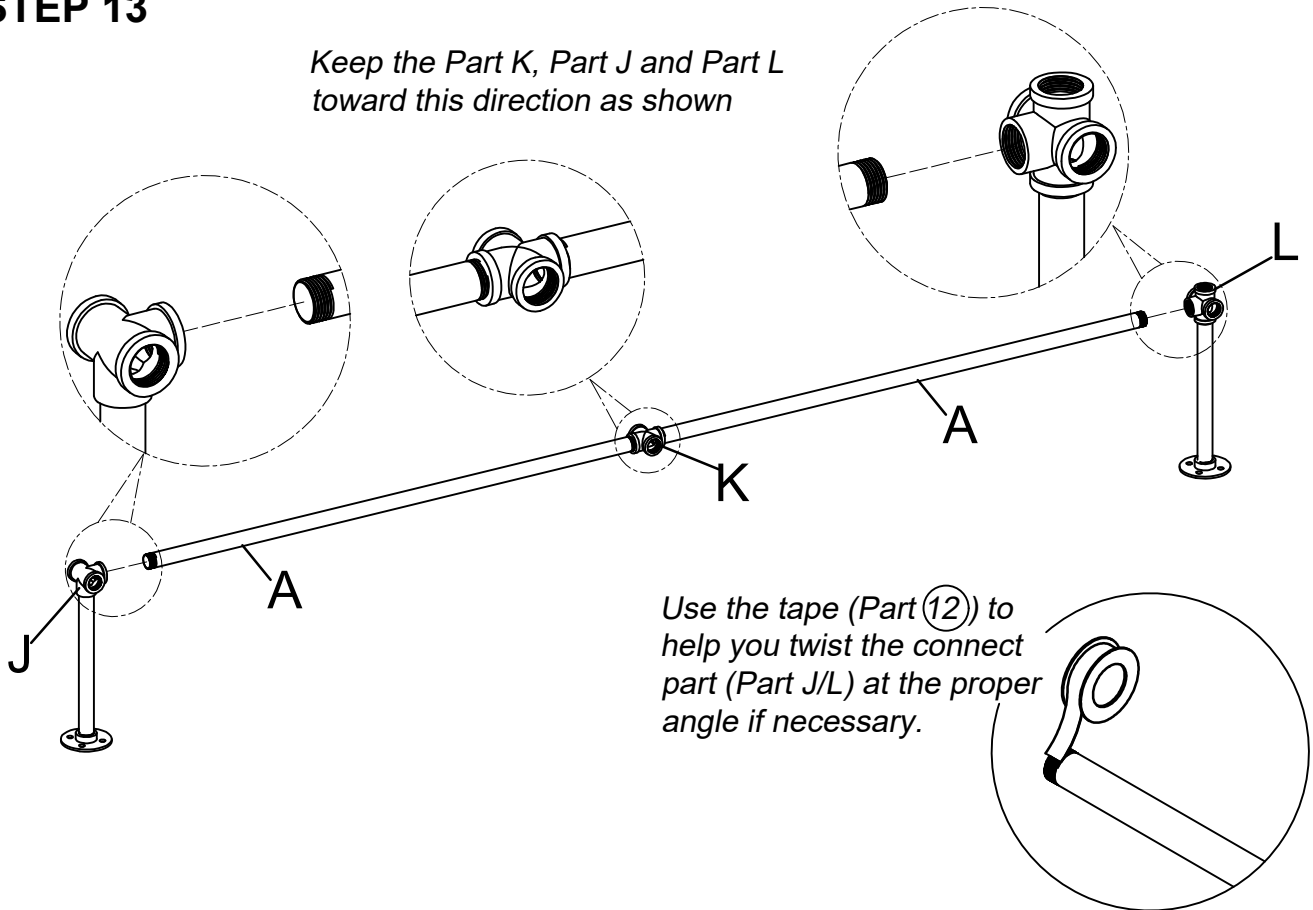


STEP 12



STEP 13

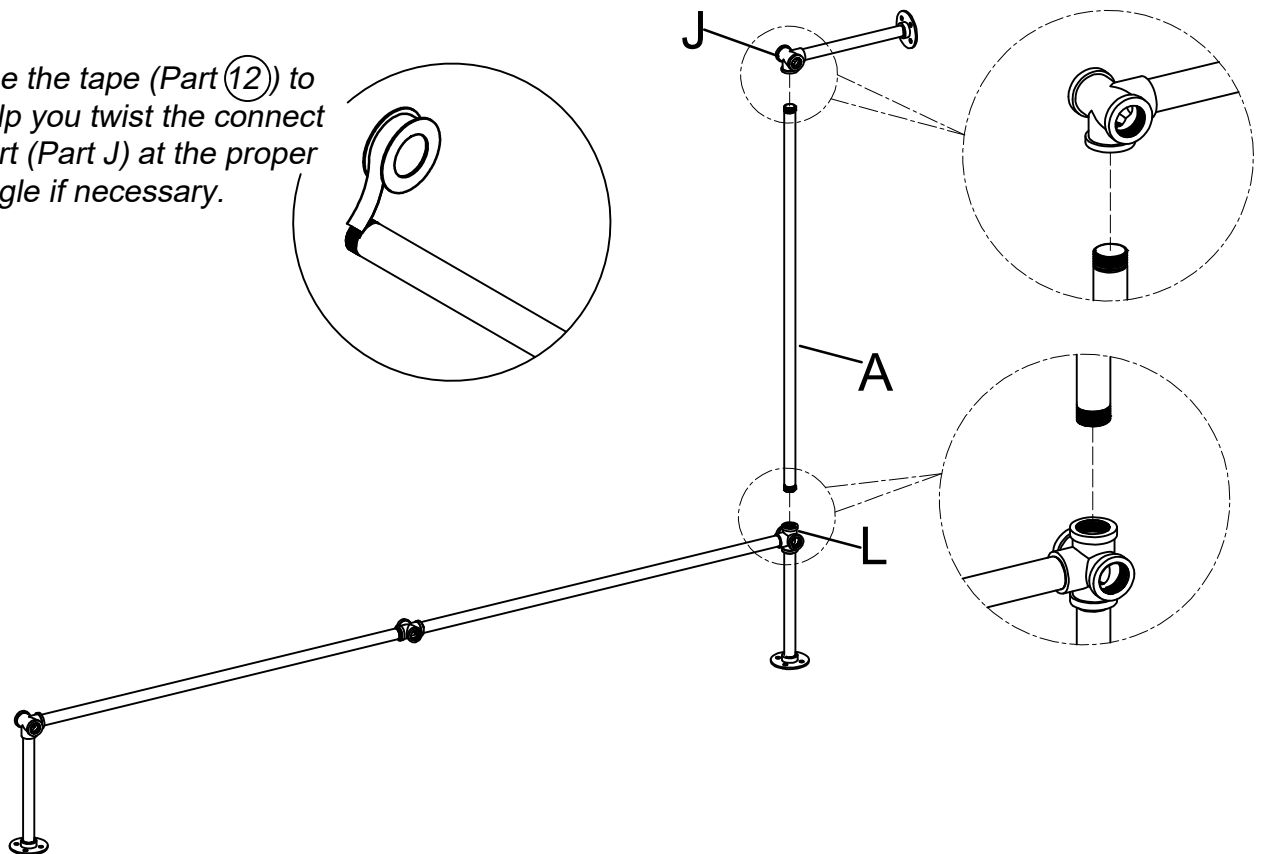
Keep the Part K, Part J and Part L toward this direction as shown



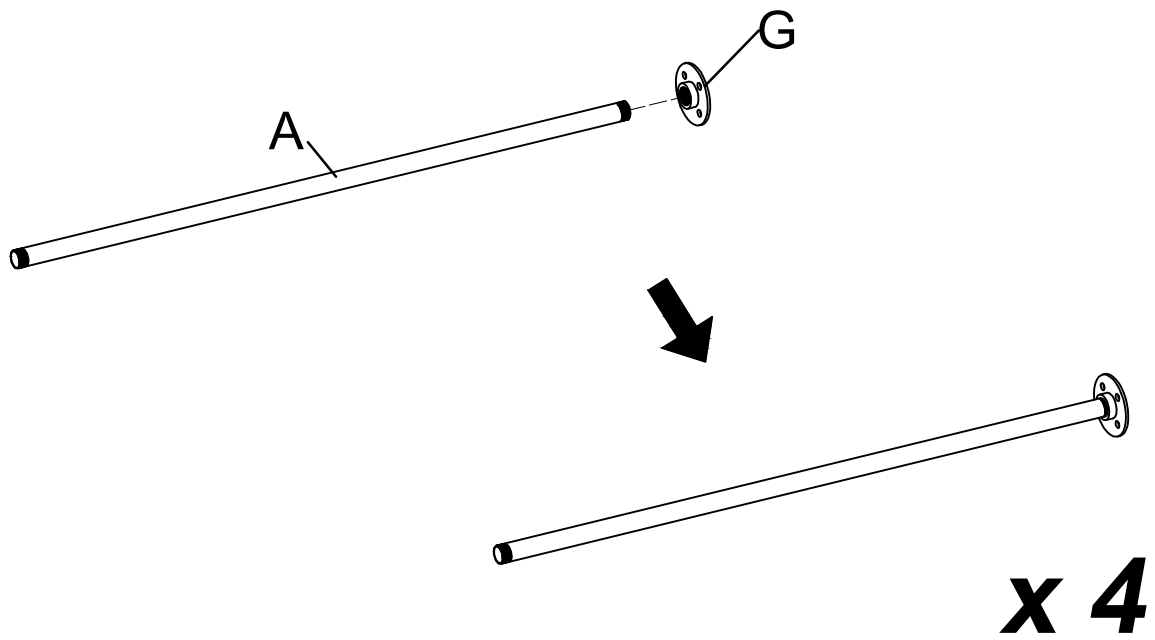
Use the tape (Part 12) to help you twist the connect part (Part J/L) at the proper angle if necessary.

STEP 14

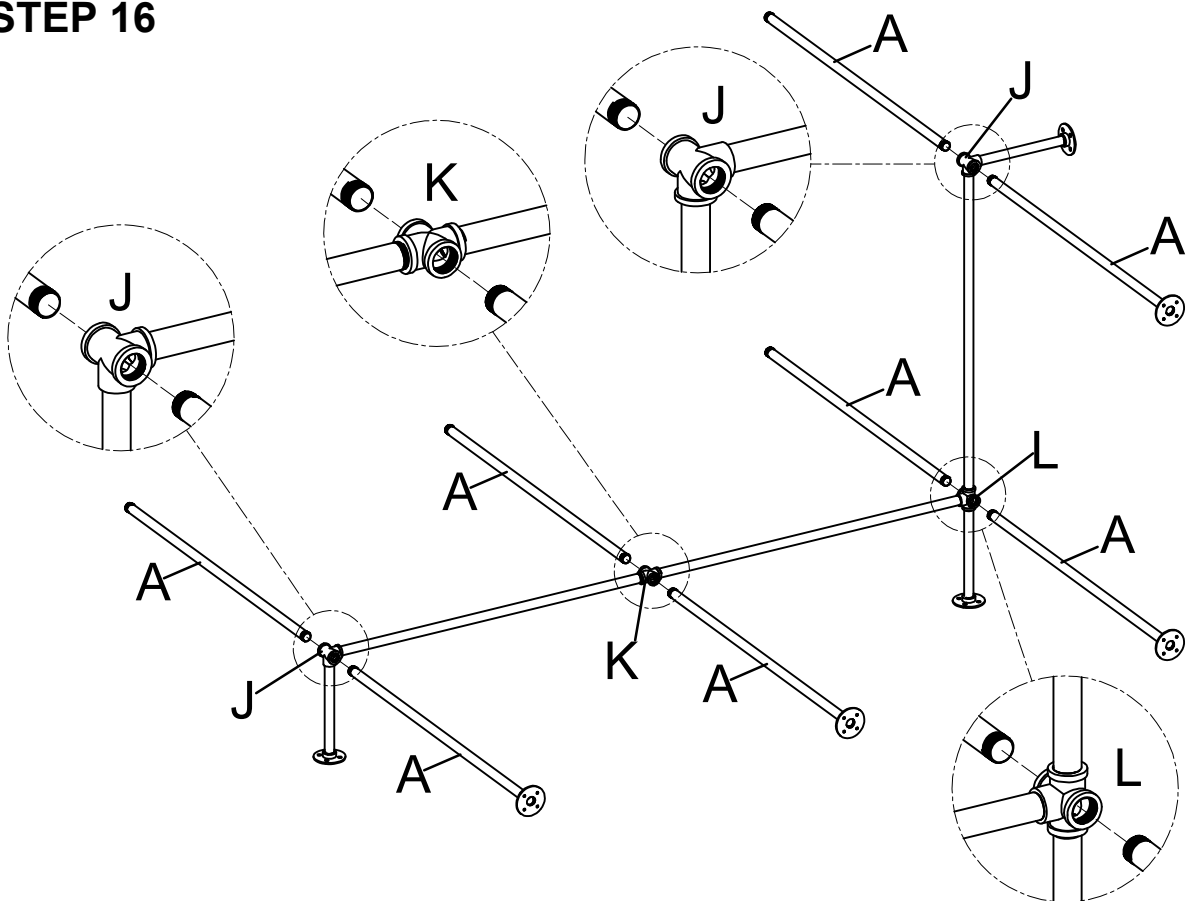
Use the tape (Part 12) to help you twist the connect part (Part J) at the proper angle if necessary.



STEP 15



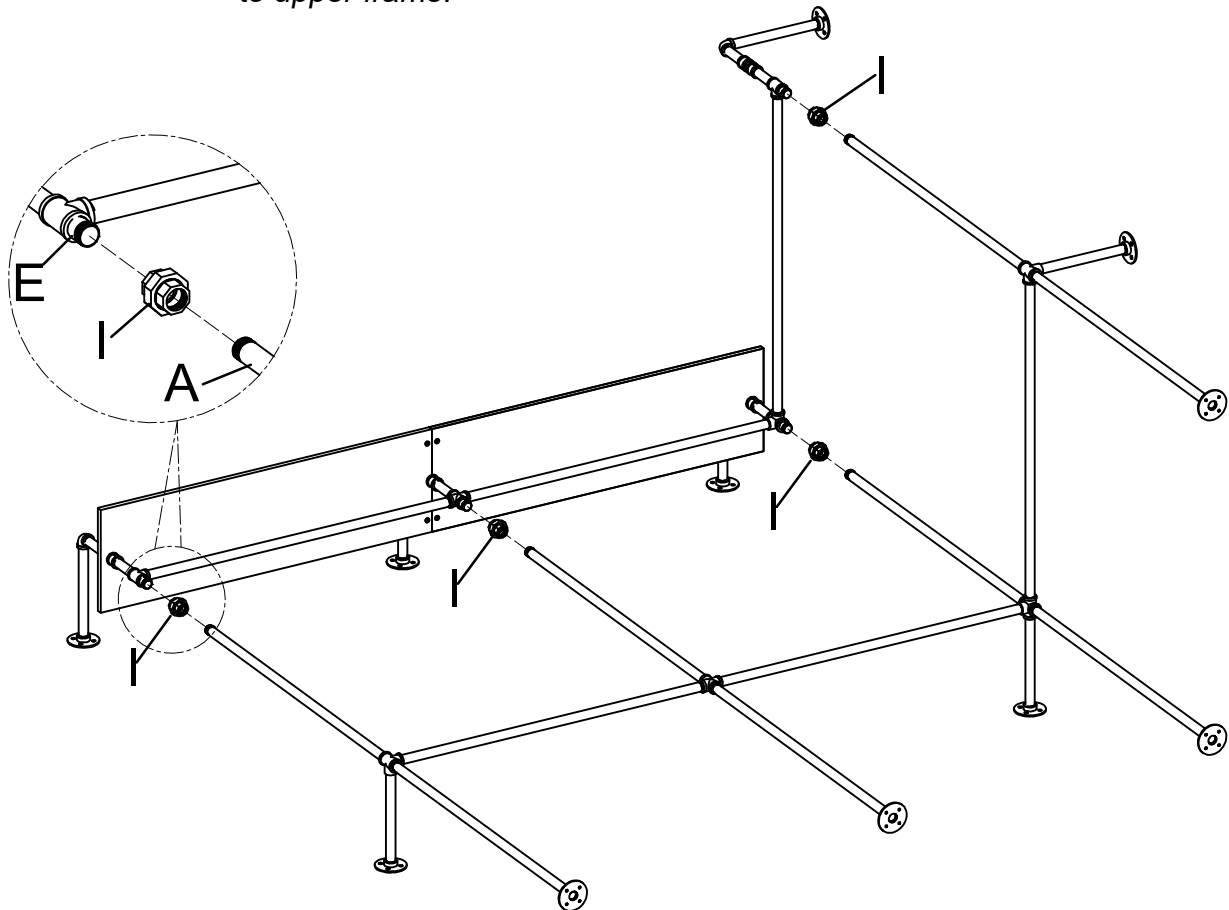
STEP 16



STEP 17


We recommend 2 person to assemble.

Use the special connector (Part I) to attach bottom frame to upper frame.

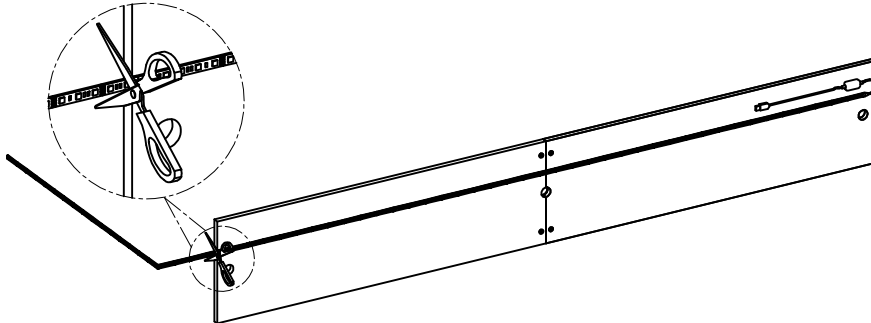


	<p>1</p>	<p>2</p>	<p>3</p>	<p>4</p>
<p>The connector assembled by three parts(i1, i2, i3)</p>	<p>Loosen part i1 a little to make part i3 movable.</p>	<p>Attach part i1 to frame by twisting part i1.</p>	<p>Attach part i3 to frame by twisting part i3.</p>	<p>Tight part i1 and part i3 by twisting part i2.</p>

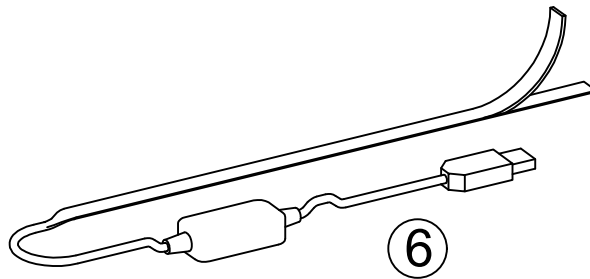
STEP 18

⑥  x1

Cut the LED strip to the proper length, because of only two top panels used in this option.



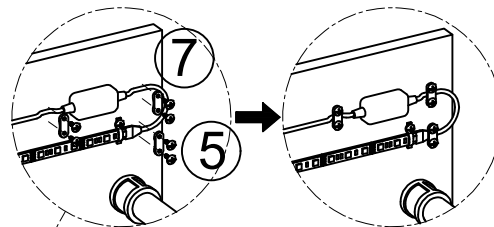
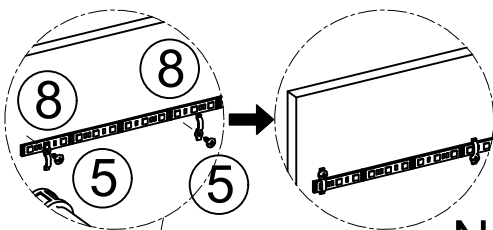
Tear off tape of the LED strip.



STEP 19

Stick the LED strip to bottom of top panels (part N), Fix the LED strip with plastic clips.

Note: Do not cover the lamp beads.

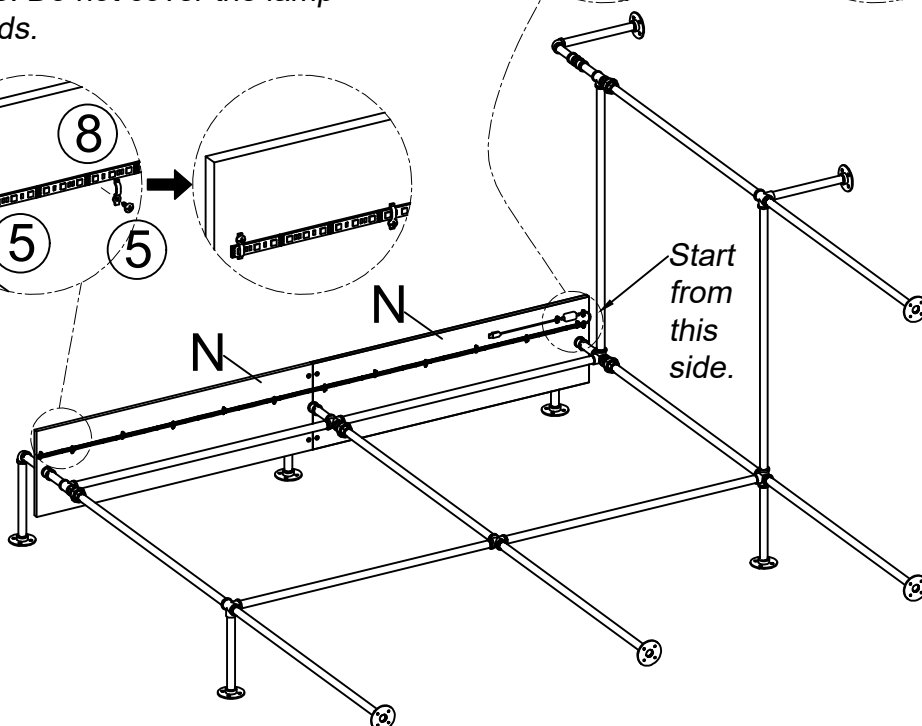
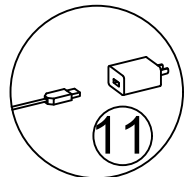


⑤  x18

⑦  x3

⑧  x12





⑪  x1

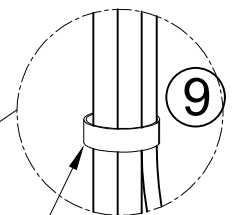
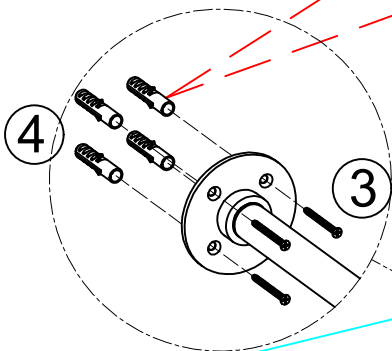
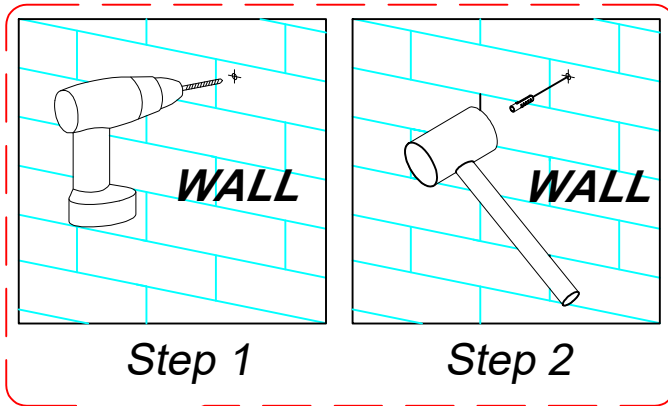


You can assemble LED strip with USB cable on the left or right as you need. Please consider its connection to the power strips.

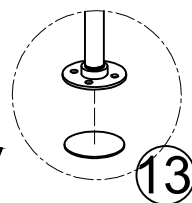
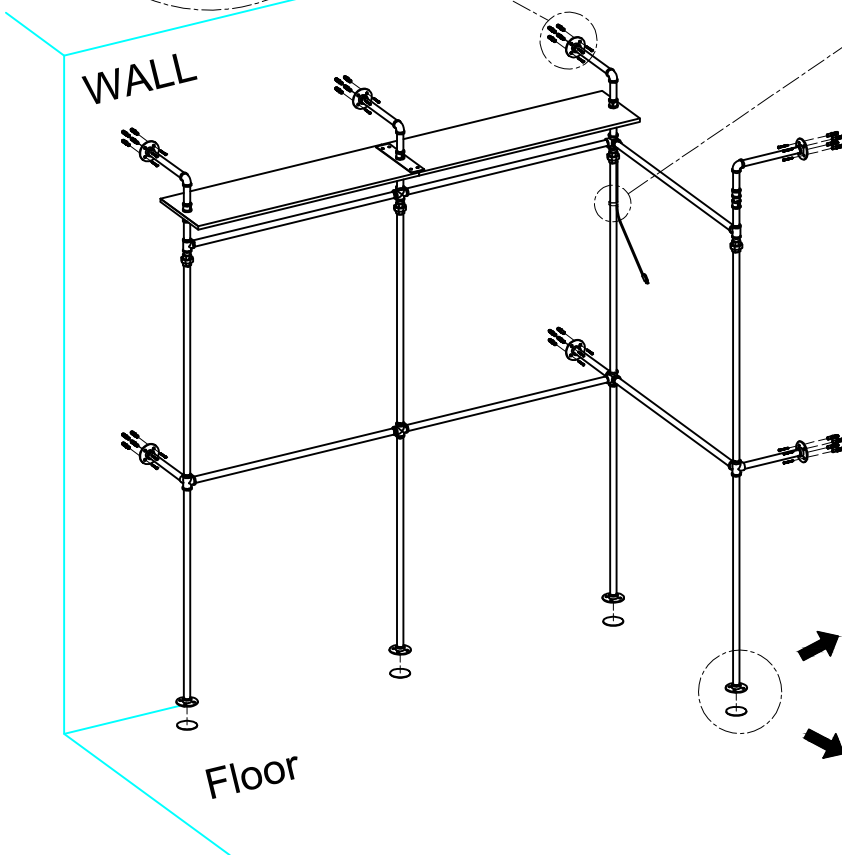
STEP 20

Mount the rack to wall.

- 3  x28
- 4  x28
- 9  x4
- 13  x1

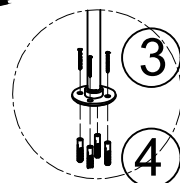


Velcro tape can wrap the wires, making your rack look neater



Shock-absorbing Foam Cushion. Scratching of the floor is prevented.

OR







You can also mount the frame to floor as you need.

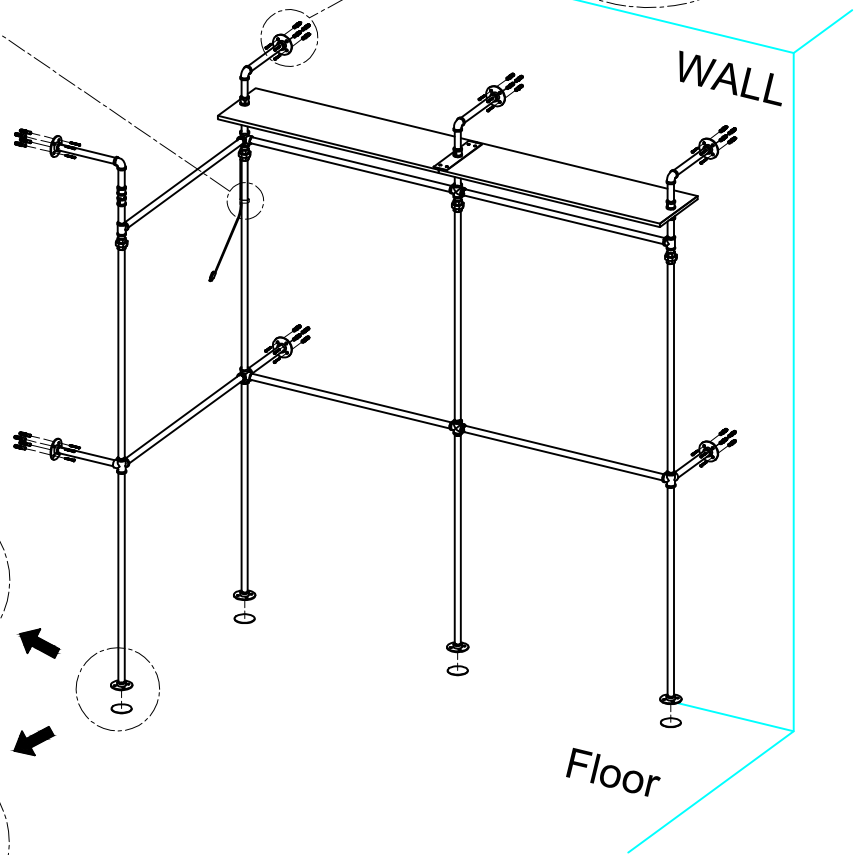
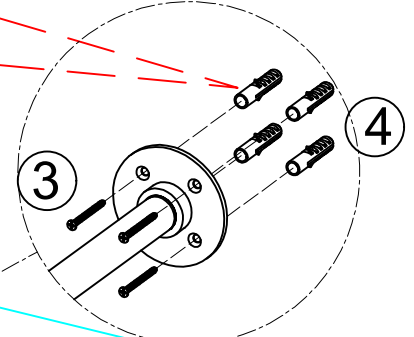
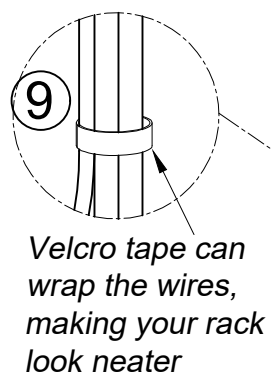
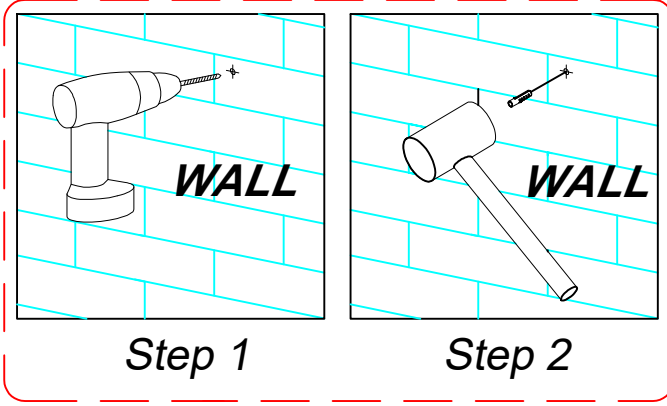
Option C

STEP 20

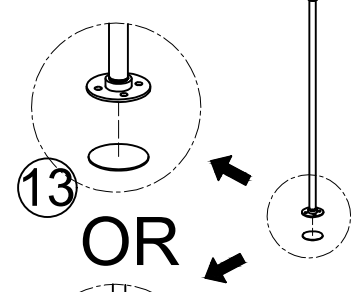
The installation method of option C is the same as option B (step 1-19), but change option B's corner frame from turn right to turn left.

Mount the rack to wall.

- 3  x28
- 4  x28
- 9  x4
- 13  x1



Shock-absorbing Foam Cushion. Scratching of the floor is prevented.



You can also mount the frame to floor as you need.

