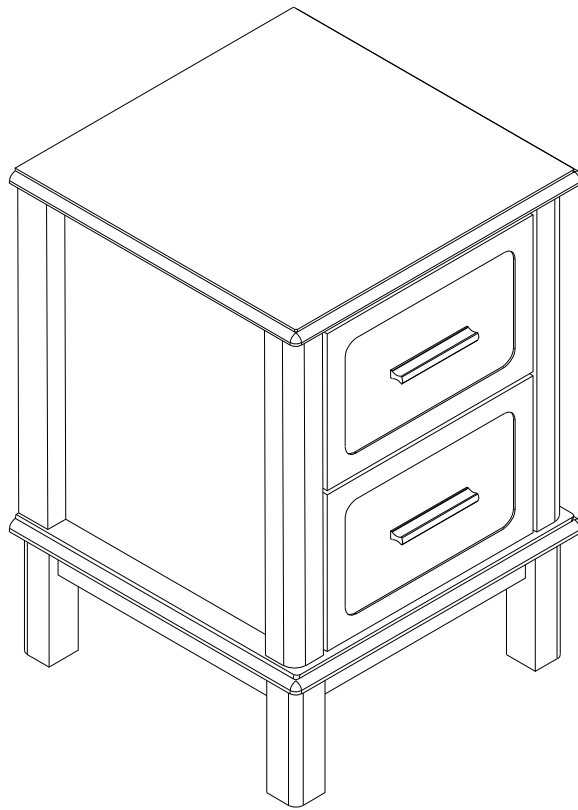
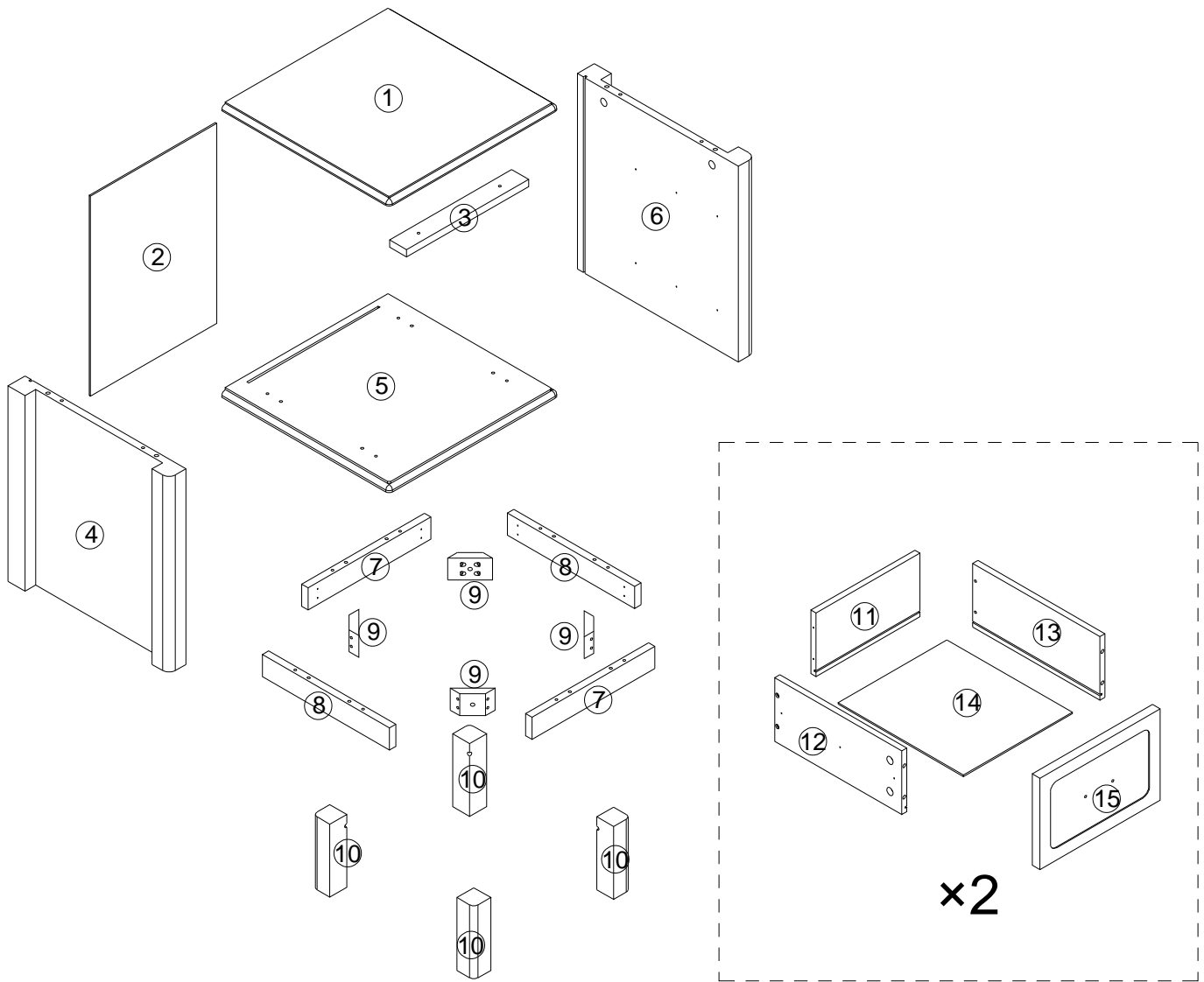









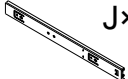








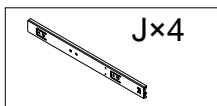
ASSEMBLY INSTRUCTION



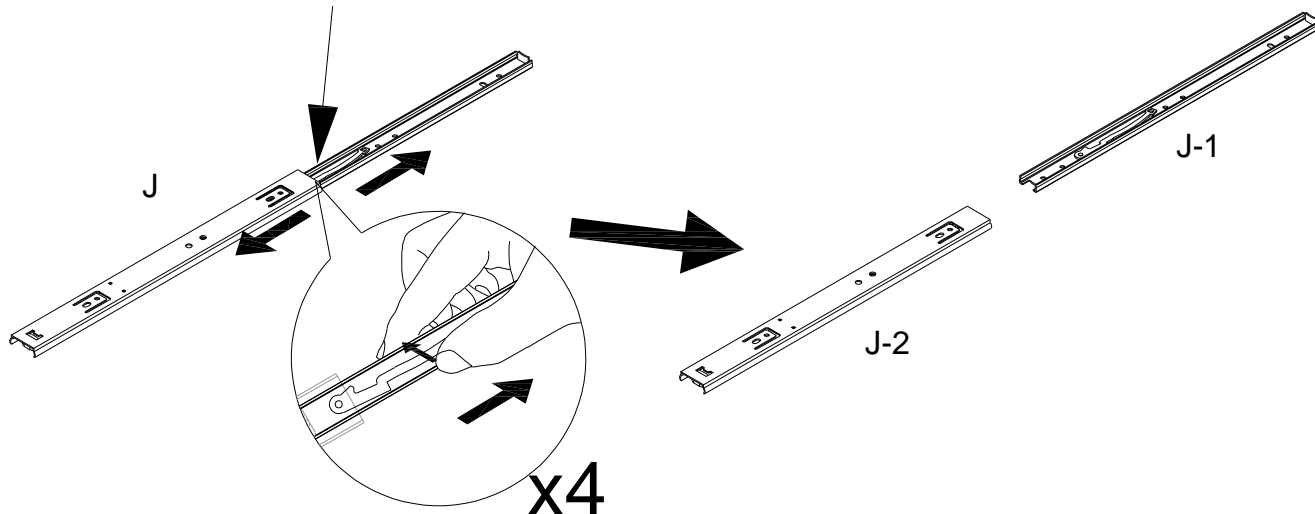


 A×12	 B×12	 C×16	 D×24 3*12mm	 E×12 4×35mm	 F×18 4×25mm	 G×4 6×50mm
 H×8 4×45mm	 I×4 4×16mm	 J×4	 K×4	 L×4	 M×1	 N×4 3×14mm
 O×4	 P×2					

STEP 1



SAFETY RELEASE TAB

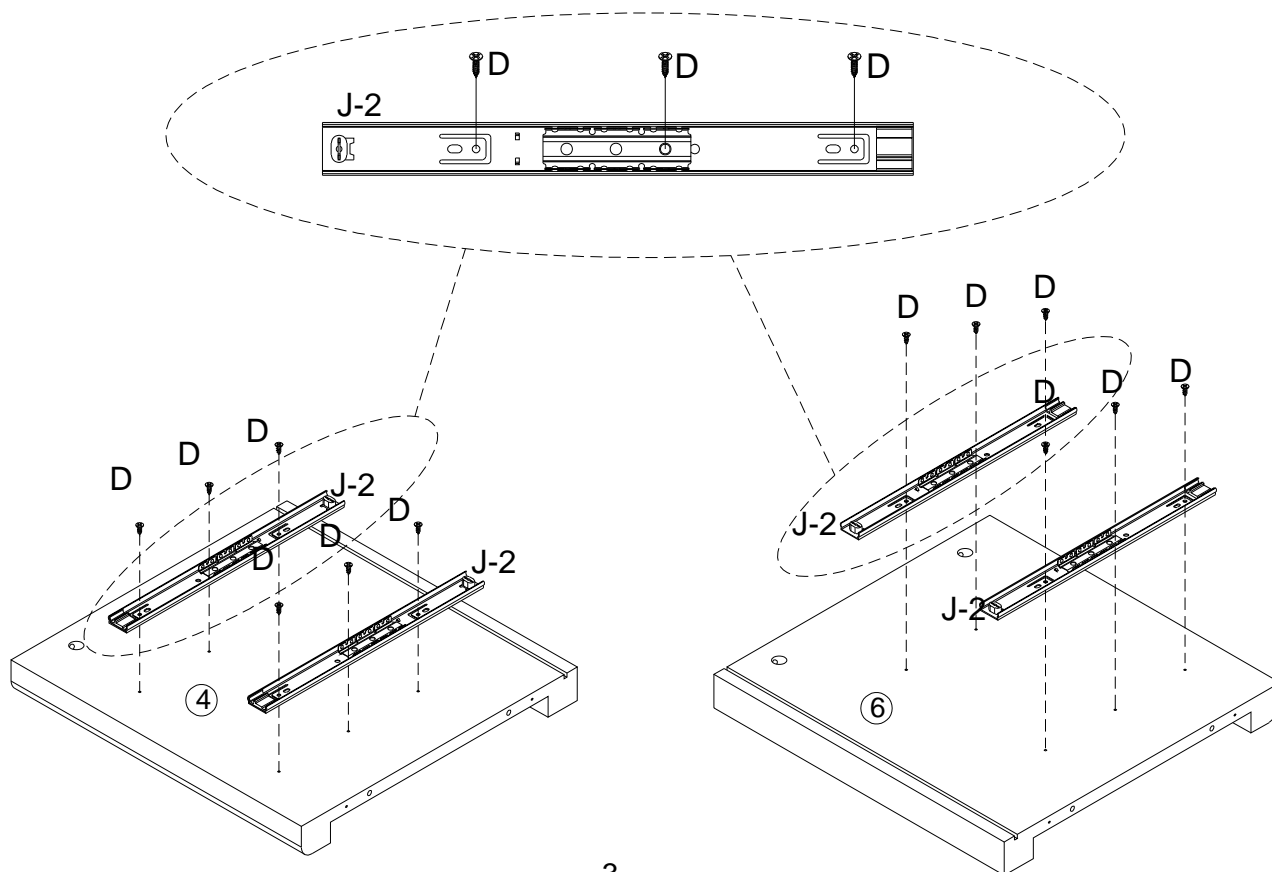
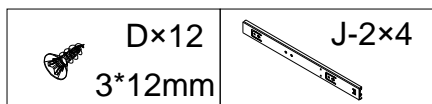


Slider J = J-1 and J-2

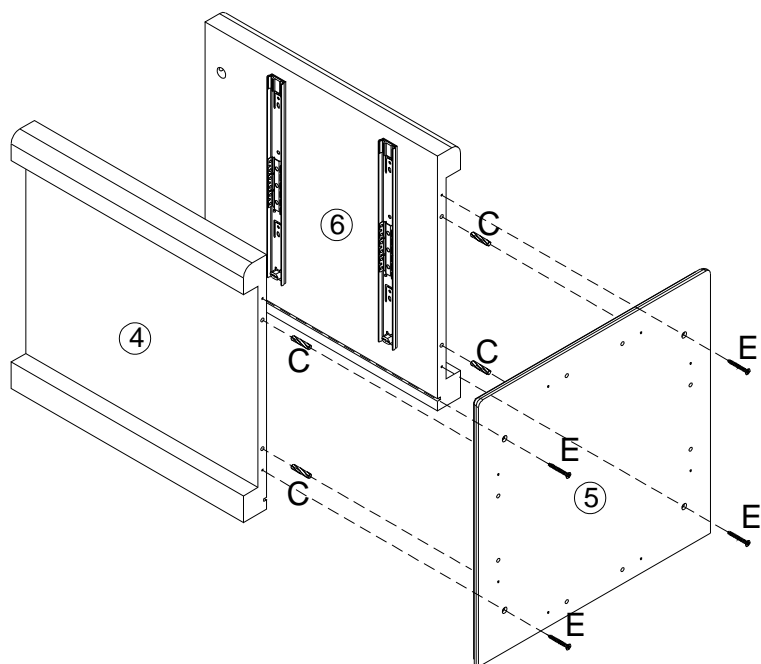
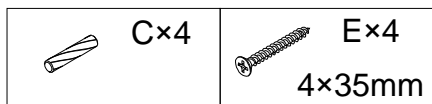
Separate the slides before installation:

Push the safety release tab in the middle of the slider to unlock, then pull the two parts (J-1 and J-2) apart.

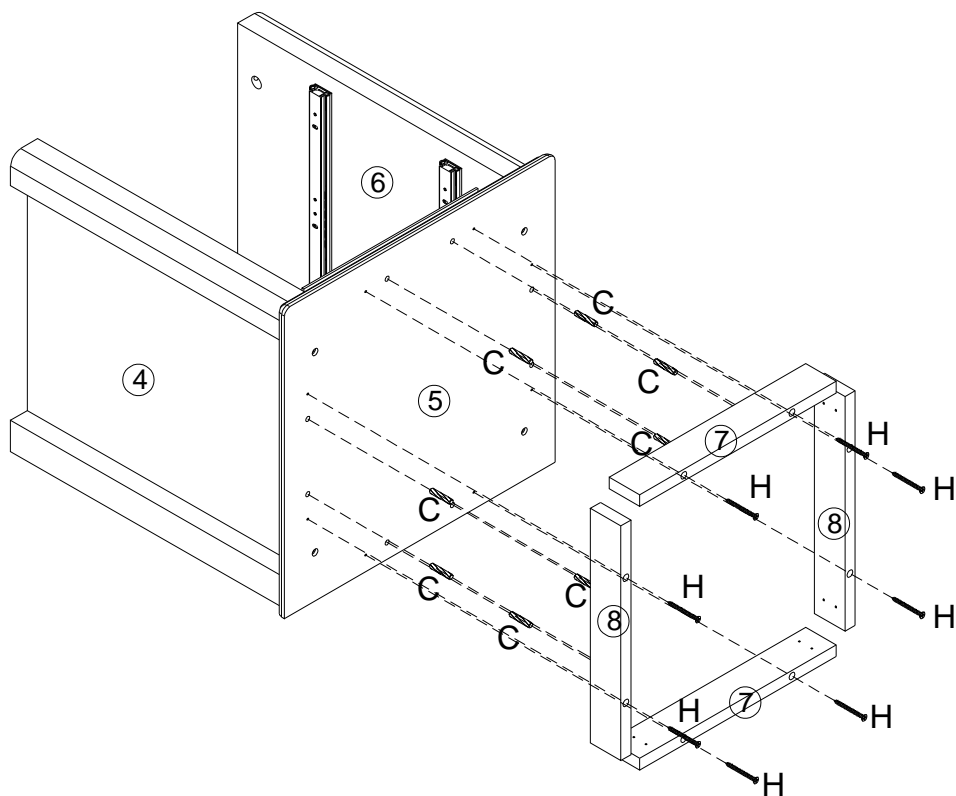
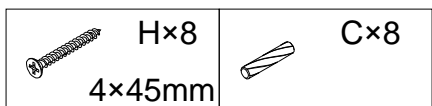
STEP 2



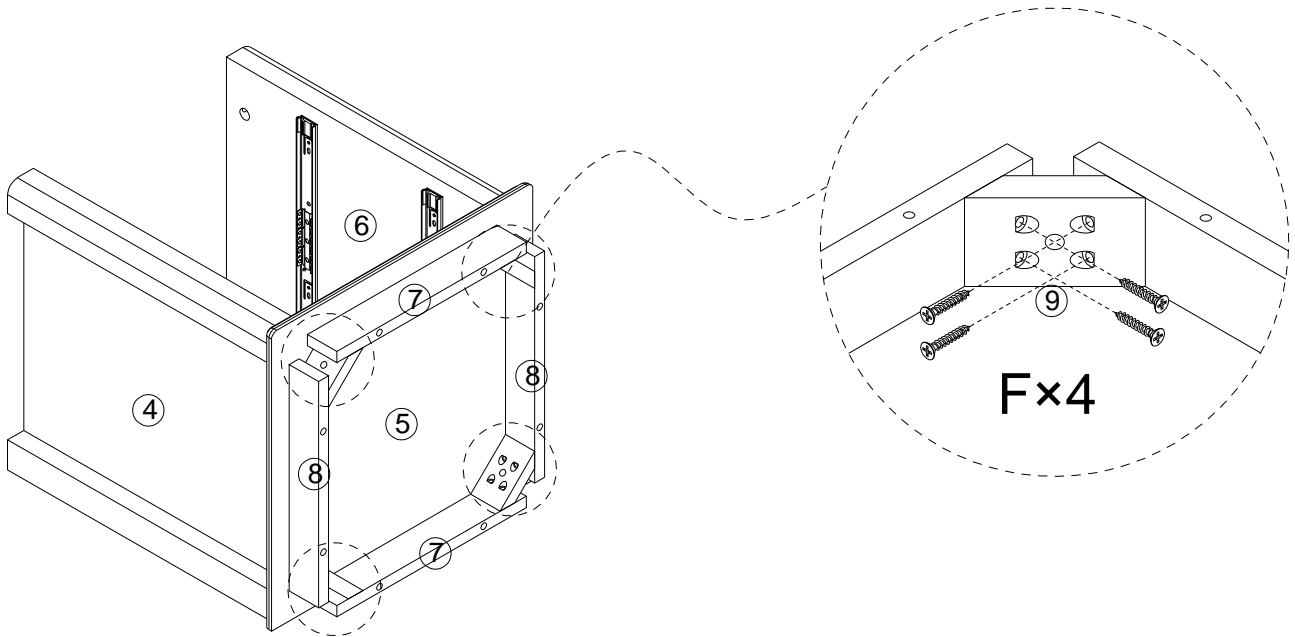
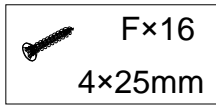
STEP 3



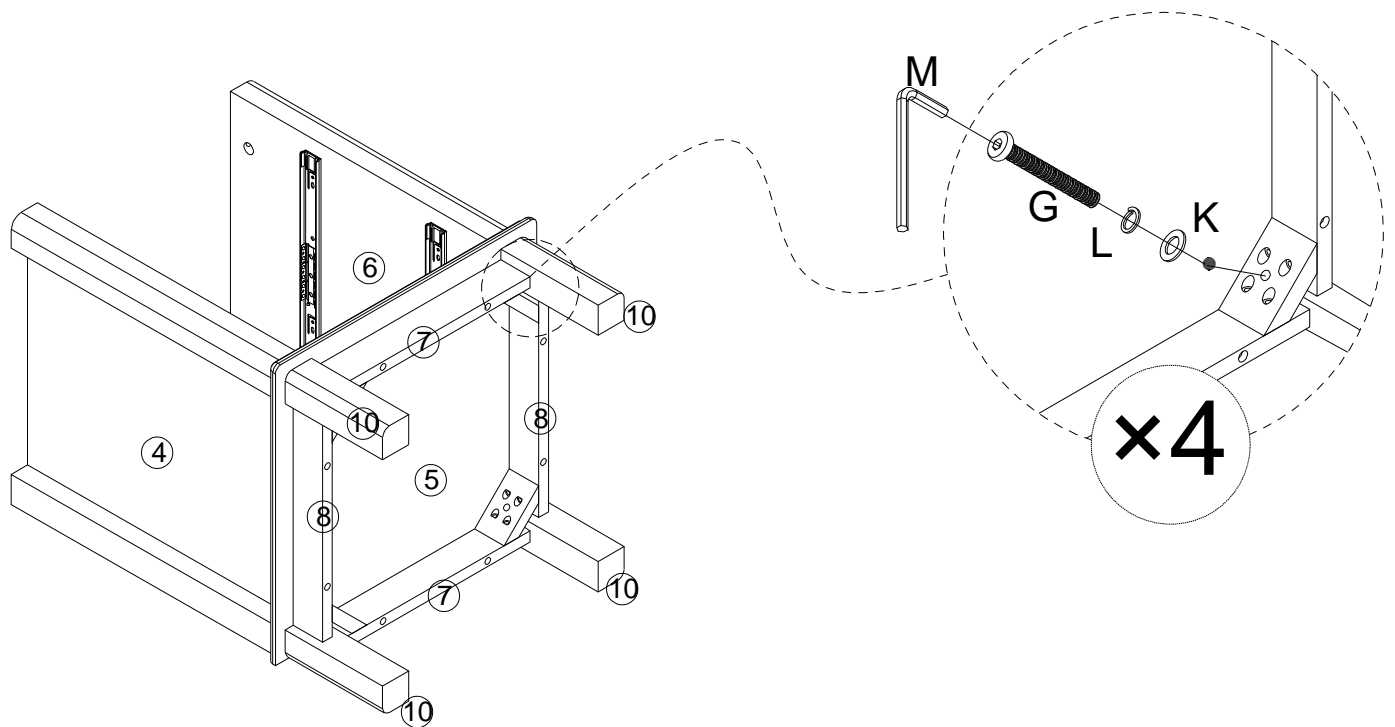
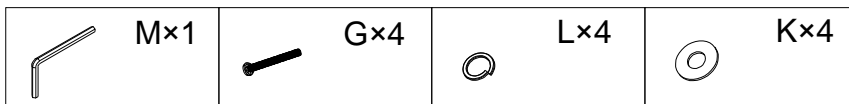
STEP 4



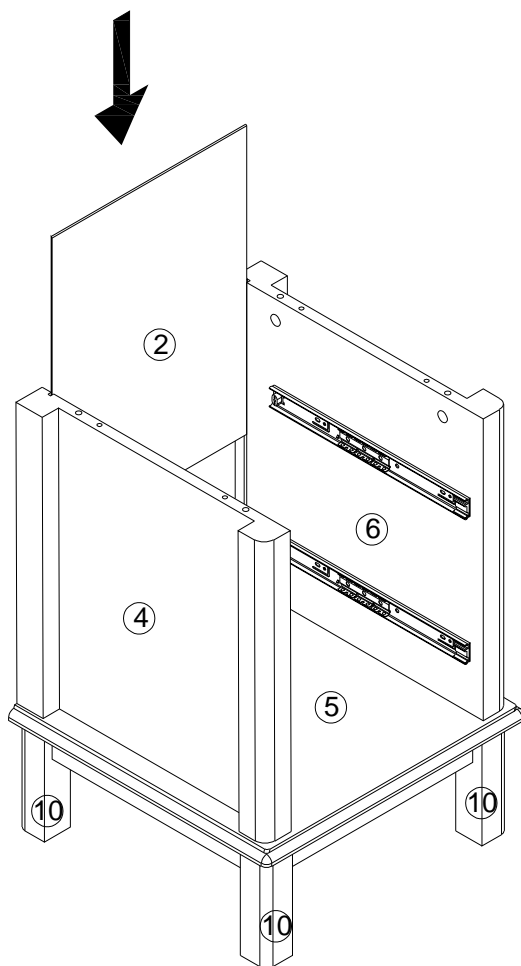
STEP 5



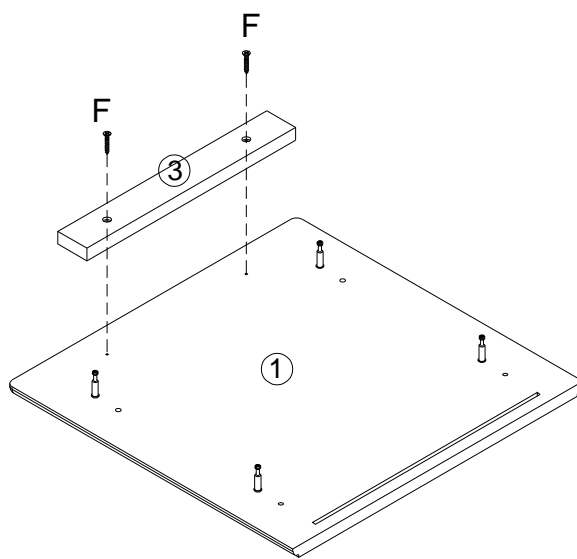
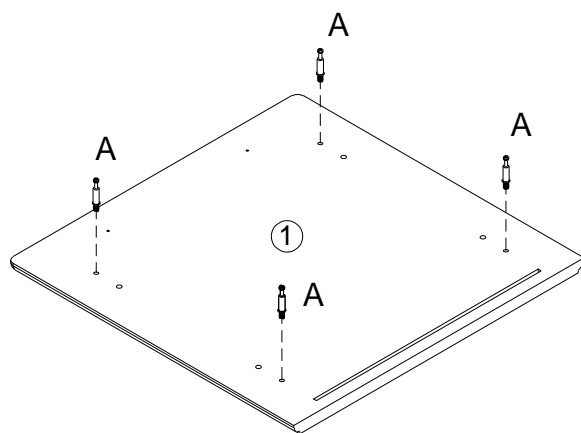
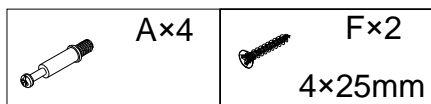
STEP 6



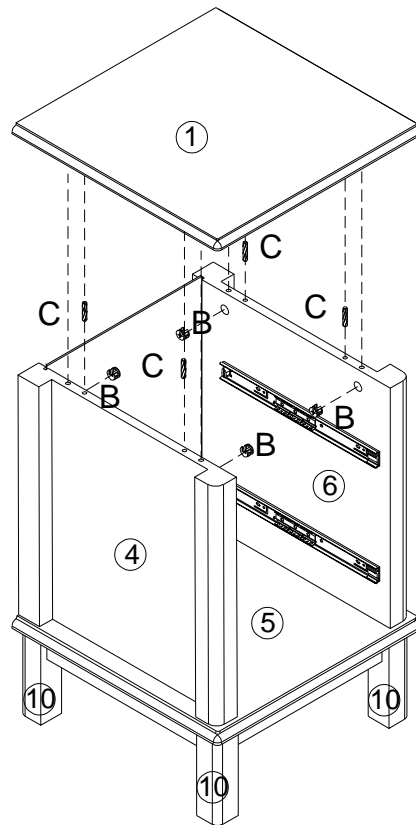
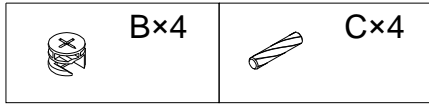
STEP 7



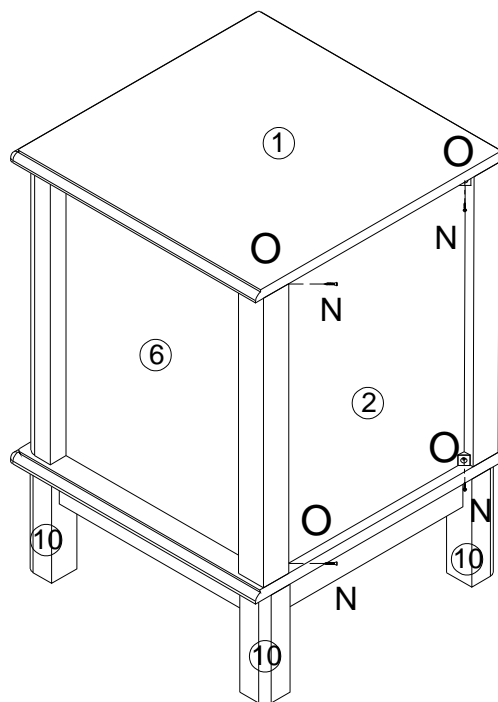
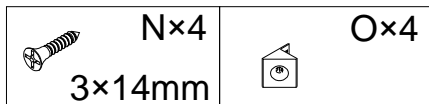
STEP 8



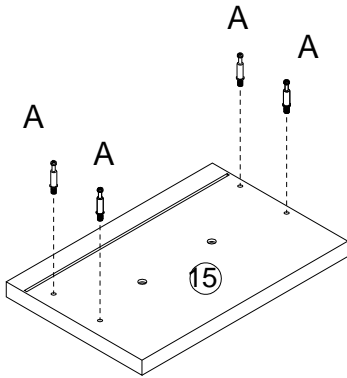
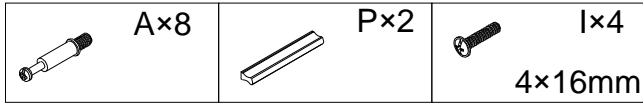
STEP 9



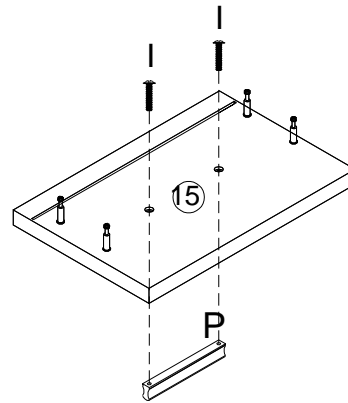
STEP 10



STEP 11

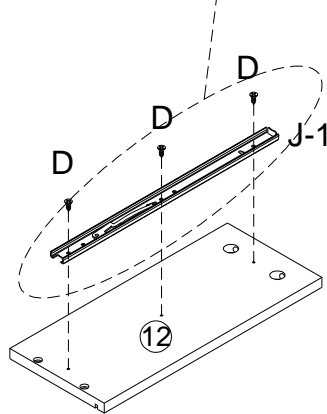
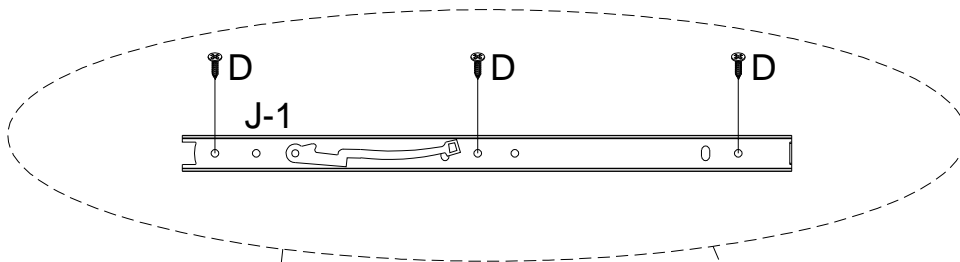
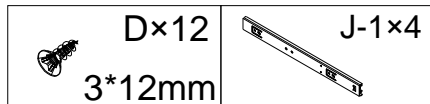


×2

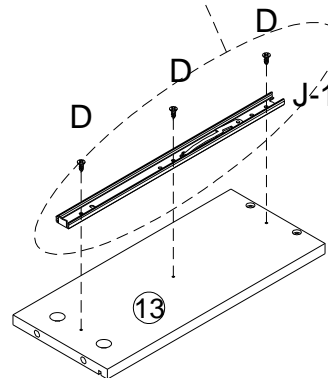


×2

STEP 12

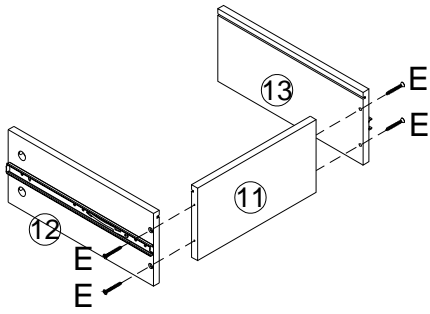
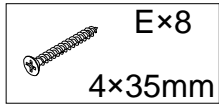


×2

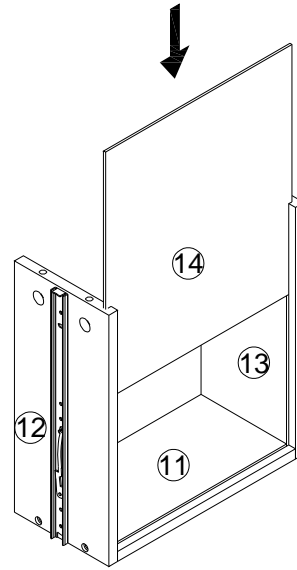


×2

STEP 13

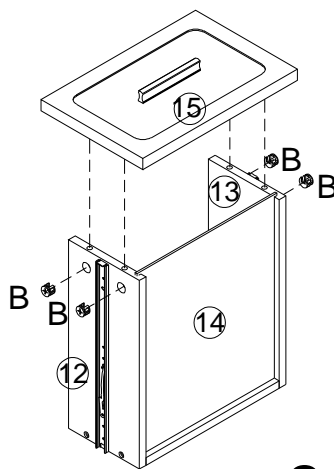
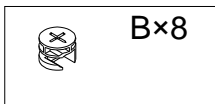


x2



x2

STEP 14



x2

STEP 15

