



Buy it for looks. Buy it for life.®

*There is more than 1 version of this model.  
Page down to identify the version you have.*

**DESCRIPTION**

- Metal construction with various finishes identified by suffix
- Includes metal pop-up type waste assembly
- Includes optional 3 hole deck plate (escutcheon)
- Flexible supply lines with 3/8" fittings connect directly to supply stops

**OPERATION**

- Pivot action lever style handles

**FLOW**

- Flow is limited to 1.5 gpm (5.7 L/min) at 60 psi

**CARTRIDGE**

- 1255™ Duralast™ cartridge for Single-Handle Faucets

**STANDARDS**

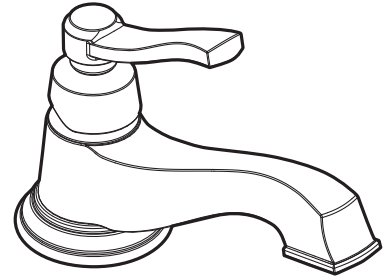
- Third party certified to ASME A112.18.1/CSA B125.1, NSF 61/9, and all applicable requirements referenced therein
- Third party certified to comply with WaterSense® High Efficiency Bathroom Sink Faucet Specification
- Contains no more than 0.25% weighted average lead contents
- Complies with California Proposition 65 and with the Federal Safe Drinking Water Act

- **ADA**  for lever handle

**WARRANTY**

- Lifetime limited warranty against leaks, drips and finish defects to the original consumer purchaser
- 5 year warranty if used in commercial installations

# Specifications

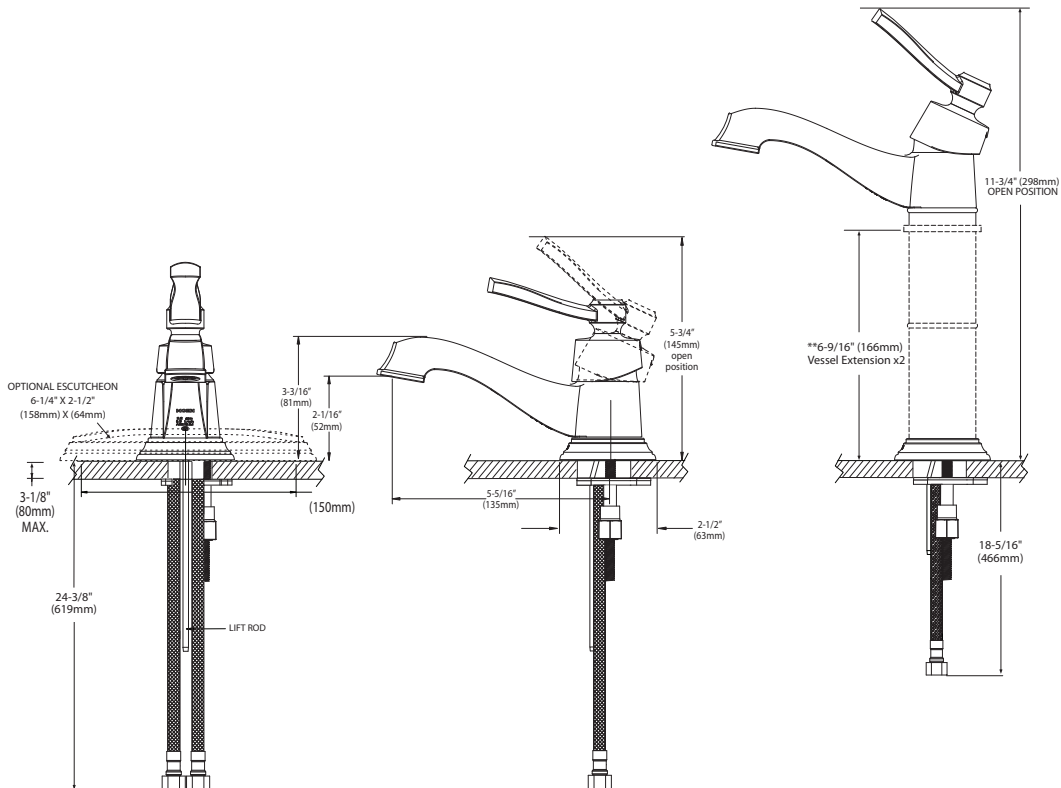


## ROTHBURY™ Single-Handle Lavatory Faucet

**Models:** S6202 series

**NOTE:** THIS FAUCET IS DESIGNED TO BE INSTALLED THRU 1 HOLE, 1-1/8" MIN. DIA.

\*\*USE A1616 EXTENSION KIT FOR VESSEL SINK APPLICATIONS



### CRITICAL DIMENSIONS

(DO NOT SCALE)



Buy it for looks. Buy it for life.®

# Specifications

## DESCRIPTION

- Metal construction with various finishes identified by suffix
- Includes metal pop-up type waste assembly
- Includes optional 3 hole deck plate (escutcheon)
- Flexible supply lines with 3/8" fittings connect directly to supply stops

## OPERATION

- Pivot action lever style handles

## FLOW

- Flow is limited to 1.5 gpm (5.7 L/min) at 60 psi

## CARTRIDGE

- 1255™ Duralast™ cartridge for Single-Handle Faucets

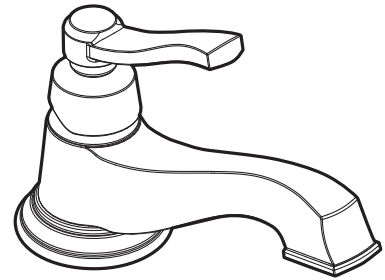
## STANDARDS

- Third party certified to ASME A112.18.1/CSA B125.1, NSF 61/9, and all applicable requirements referenced therein
- Third party certified to comply with WaterSense® High Efficiency Bathroom Sink Faucet Specification
- Contains no more than 0.25% weighted average lead contents
- Complies with California Proposition 65 and with the Federal Safe Drinking Water Act

- **ADA**  for lever handle

## WARRANTY

- Lifetime limited warranty against leaks, drips and finish defects to the original consumer purchaser
- 5 year warranty if used in commercial installations

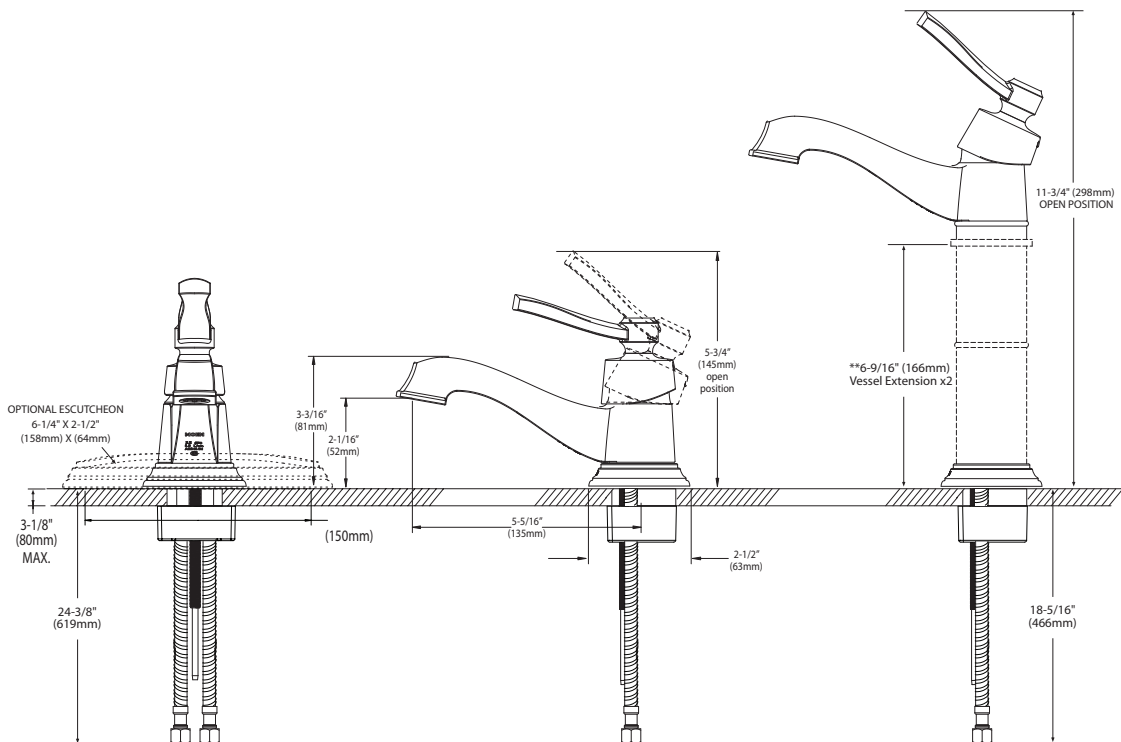


## ROTHBURY™ Single-Handle Lavatory Faucet

Models: S6202 series

**NOTE:** THIS FAUCET IS DESIGNED TO BE INSTALLED THRU 1 HOLE, 1-1/8" MIN. DIA.

\*\*USE A1616 EXTENSION KIT FOR VESSEL SINK APPLICATIONS



## CRITICAL DIMENSIONS

(DO NOT SCALE)