

ASSEMBLY INSTRUCTION

60IN BARNDOOR TV STAND

Thank you for your purchase.

Rest assured only the finest materials, skilled artisans and modern engineering were used to carefully construct this exquisite piece.

GENERAL BEST PRACTICES FOR ASSEMBLY:

Determine you have adequate space for assembly.

Assembly by two adults is recommended.

Assemble on soft surfaces to prevent damage to product finish.

Keep children away during assembly. This item contains small parts which can be swallowed by children.

Do not discard any of packaging until you have checked that you have all parts and hardware.

Retain the assembly instructions for future reference.

The manufacturer will not accept responsibility for unauthorized repairs or modifications to this product.

This product is for residential use only, not for commercial use.

A Phillips head screwdriver is necessary for assembly but is not included.

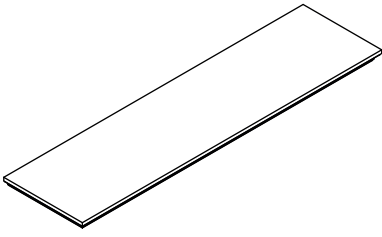
WARNINGS:

1. Do not use this product if it becomes damaged or if any components are broken or missing.
 2. This product is flammable and may ignite if left in contact with an open flame or heat source.
 3. To prevent serious injury or death, this product is equipped with a wall anchoring system. Before this product can be used, the wall anchoring system must be installed as directed in the assembly instructions.
 4. WARNING: Changes or modifications not expressly approved by the party responsible for compliance may void the user's authority to operate the equipment.
 5. WARNING: Death or serious injury may occur if children climb on audio and/or video equipment furniture. Placing remote controls or toys on the furniture may encourage a child to climb, which could cause the unit to tip over onto the child.
 6. WARNING: Relocating audio and/or video equipment to furniture not specifically designed to support such items may result in furniture collapse or tip-over, leading to death or serious injury.
-
-

MAINTENANCE:

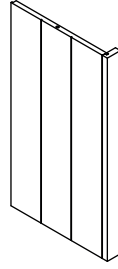
1. Wipe with a damp cloth. Use Furniture polish or lemon oil on the wood as needed.
 2. Avoid prolonged exposure to moisture.
 3. Do not scratch or chip the finish.
 4. Avoid placing objects hotter than 80 degrees directly on the surface.
 5. Check bolts/screws periodically and tighten if necessary.
 6. To prolong the life of the product, we recommend storing in a dry area when not in use or during severe weather conditions.
-
-

PARTS LIST



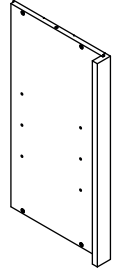
A

Top Panel
x 1 pc



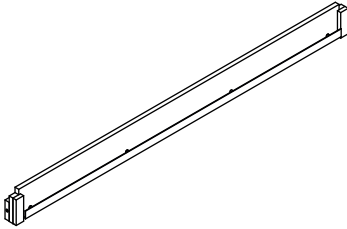
B

Left Side Panel
x 1 pc



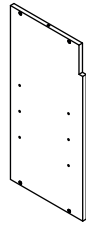
C

Right Side Panel
x 1 pc



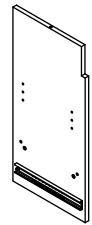
D

Front Rail
x 1 pc



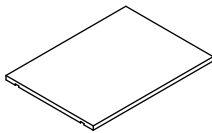
E

Left Middle Panel
x 1 pc



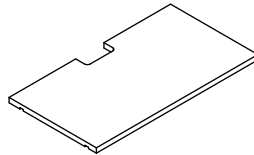
F

Right Middle Panel
x 1 pc



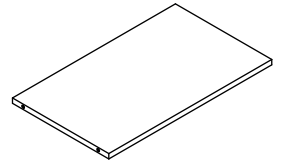
G

Side Adjustable Shelf
x 4 pcs



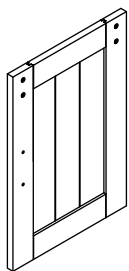
H

Center Adjustable Shelf
x 1 pc



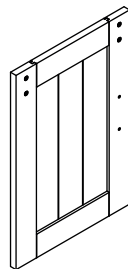
I

Center Fixed Shelf
x 1 pc



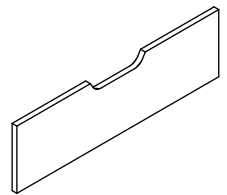
J

Left Door
x 1 pc



K

Right Door
x 1 pc



L

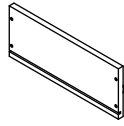
Drawer Front Panel
x 1 pc

PARTS LIST



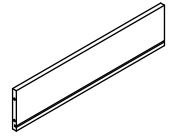
M

Drawer Side Panel - Left
x 1 pc



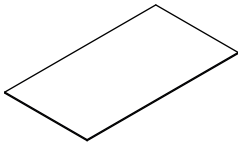
N

Drawer Side Panel - Right
x 1 pc



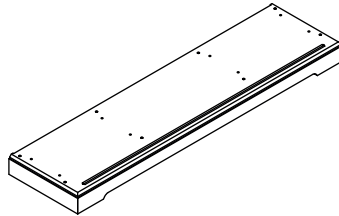
O

Drawer Back Panel
x 1 pc



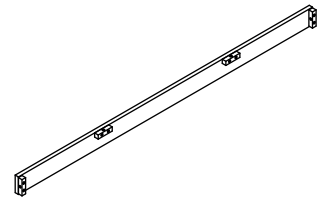
P

Drawer Bottom Panel
x 1 pc



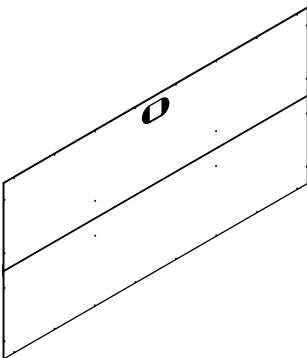
Q

Bottom Panel
x 1 pc



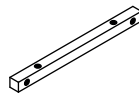
R

Bottom Crossbar
x 1 pc



S

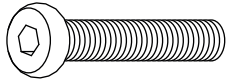
Back Panel
x 1 pc



T

Connect Wood
x 10 pcs

HARDWARE LIST



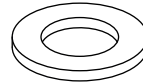
1

Allen Bolt x 48 pcs
Ø1/4"*32mm



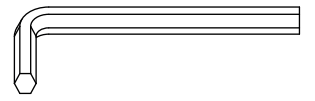
2

Spring Washer x 48 pcs
Ø1/4"



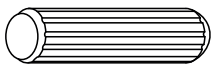
3

Flat Washer x 52 pcs
Ø1/4"



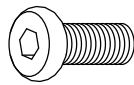
4

Allen Key x 1 pc
4mm



5

Wood Dowel x 16 pcs
Ø8*25mm



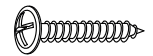
6

Allen Bolt x 8 pcs
Ø1/4"*12mm



7

Sliding Hardware x 4 pcs



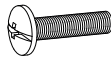
8

Screw x 28 pcs
Ø3 *15mm



9

Handle x 2pcs



10

Handle Bolt x 4 pcs
Ø5/32"*12mm



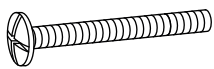
11

Shelf Pin x 20 pcs



12

Barrel Nut x 8 pcs



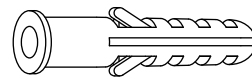
13

Bolt x 8 pcs
Ø3/16"*38mm



14

Anti-tipping Strip x 2 pcs
25*230mmL



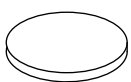
15

Wall Anchor x 2 pcs
Ø8.5*30mmL



16

Screw x 4 pcs
Ø8*28mmL



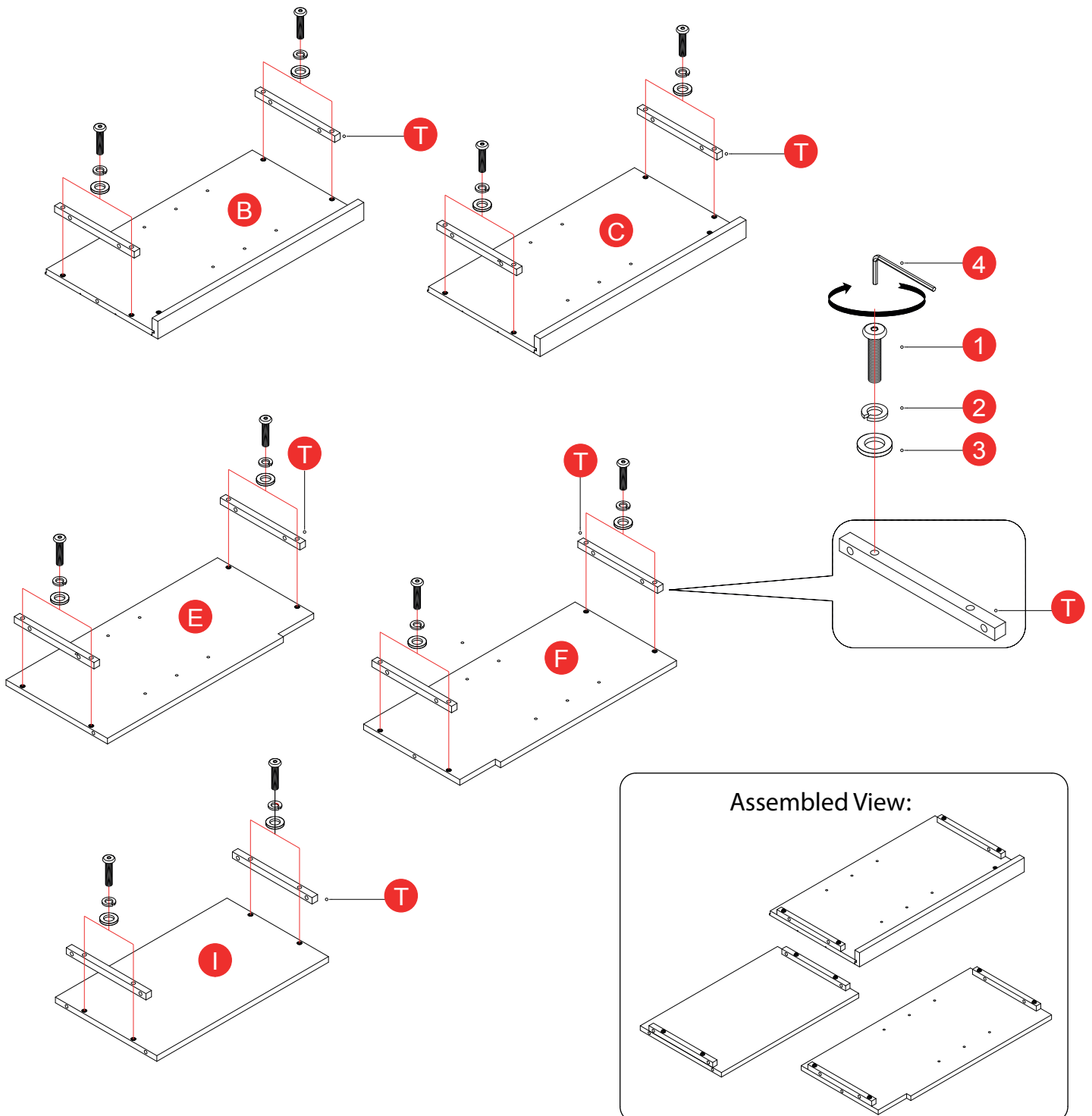
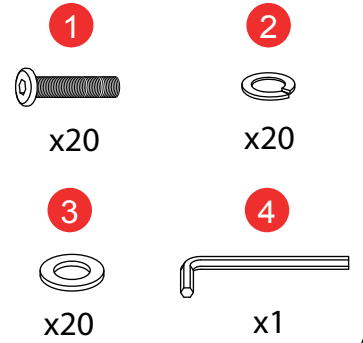
17

Plastic Pad x 6 pcs

STEP 1

Hardware needed

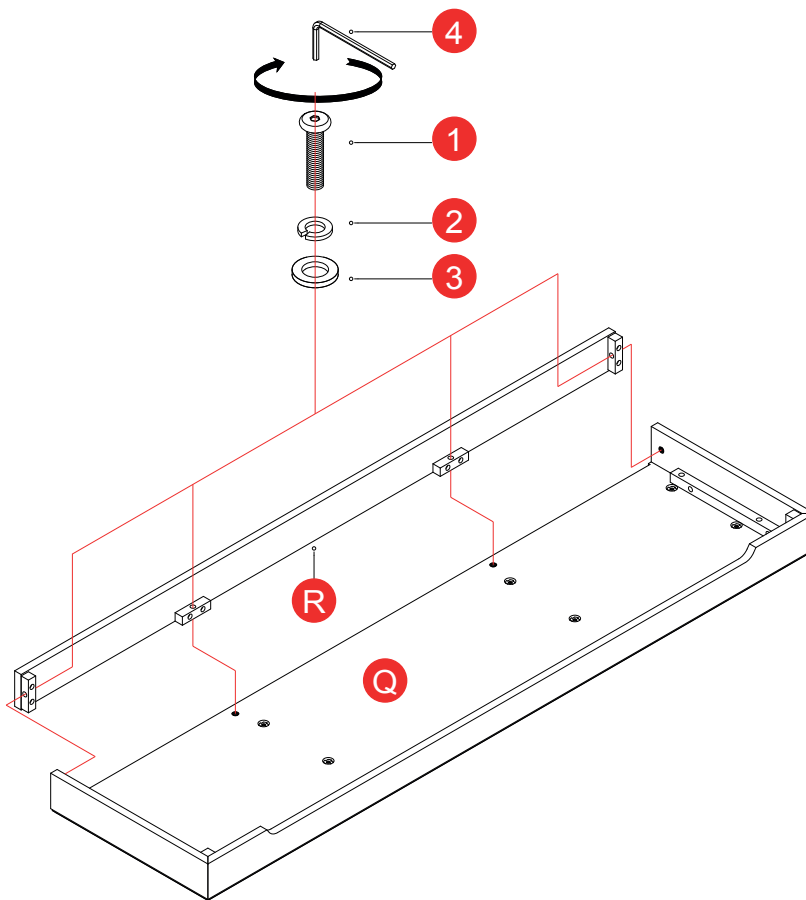
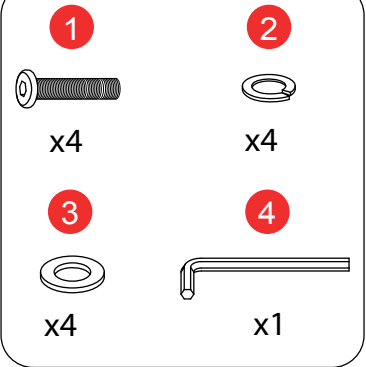
1. Place the Left Side Panel (B) upside down on a smooth surface.
2. Align the holes in the Connect Wood (T) with the holes in Left Side Panel (B) as shown. Secure the Connect Wood (T) to Left Side Panel (B) with Flat Washer (3), Spring Washer (2) and Allen Bolt (1) using Allen Key (4).
3. Note: The Connect Wood (T) should be flush with the edges of the panels. Repeat the process to attach Connect Wood (T) to Right Side Panel (C), Left Middle Panel (E), Right Middle Panel (F) and Center Fixed Shelf (I).



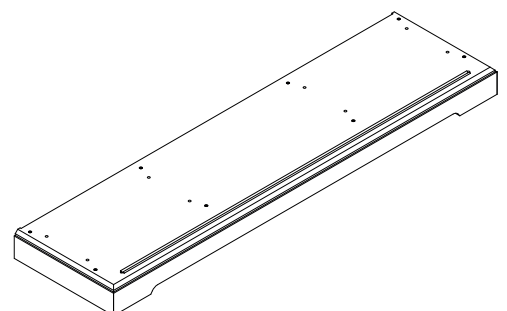
STEP 2

1. With assistance, place the Bottom Panel (Q) upside down on a smooth, flat surface. Attach the Bottom Crossbar (R) to Bottom Panel (Q) with Flat Washer (3), Spring Washer (2) and Allen Bolt (1) using Allen Key (4).
2. Fully tighten all bolts.
3. Return Bottom Panel (Q) to upright position.

Hardware needed



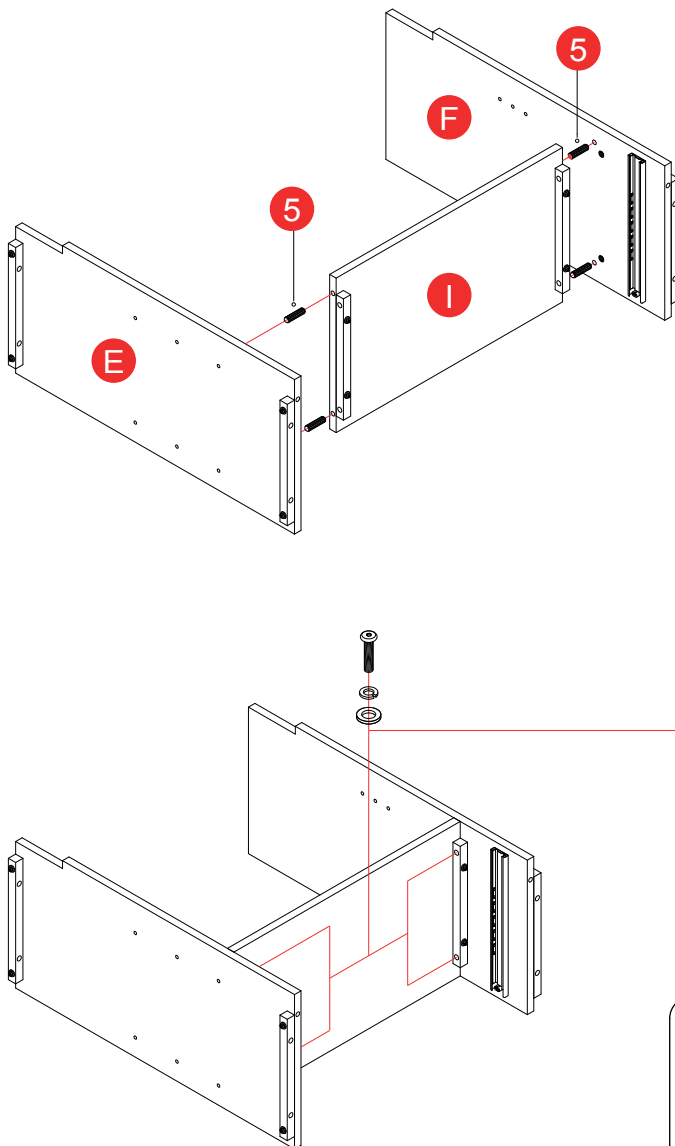
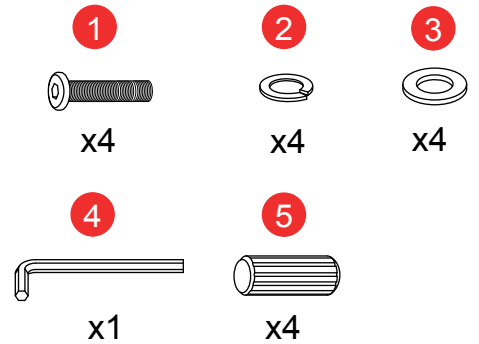
Assembled View:



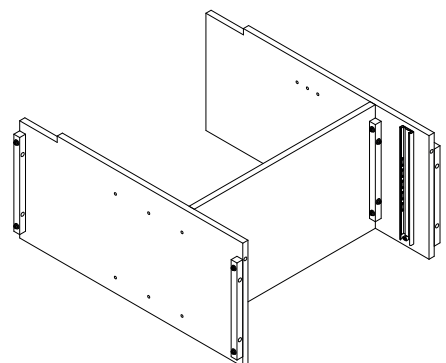
STEP 3

1. Align the holes in the Wood Dowel (5) into the ends of Center Fixed Shelf (I) with the holes in Right Middle Panel (F) as shown.
2. Secure the Center Fixed Shelf (I) to Right Middle Panel (F) with Flat Washer (3), Spring Washer (2) and Allen Bolt (1) using Allen Key (4). Fully tighten all bolts.
3. Repeat the process to attach the Left Middle Panel (E) to Center Fixed Shelf (I).

Hardware needed



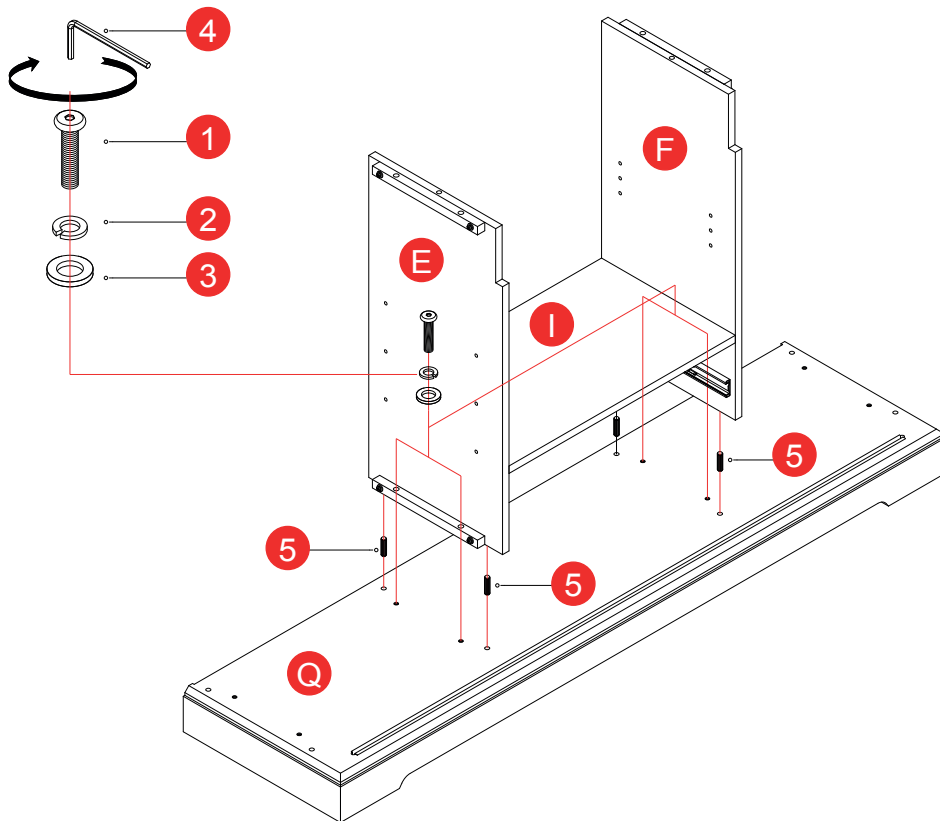
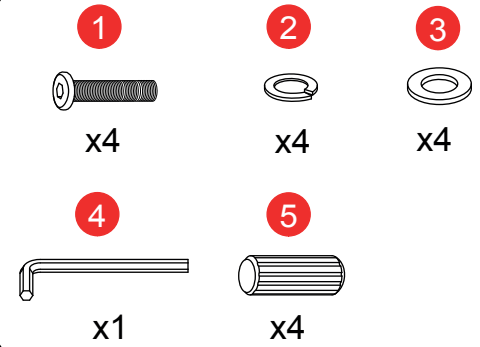
Assembled View:



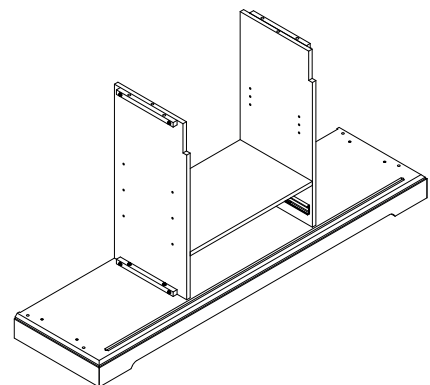
STEP 4

1. Insert Wood Dowel (5) into the holes of Bottom panel (Q) as shown. Align the holes in Left Middle Panel (E), Right Middle Panel (F) and slide to place. Secure Left Middle Panel (E), Right Middle Panel (F) to Bottom Panel (Q) with Flat Washer (3), Spring Washer (2) and Allen Bolt (1) using Allen Key (4).
2. Fully tighten all bolts.

Hardware needed



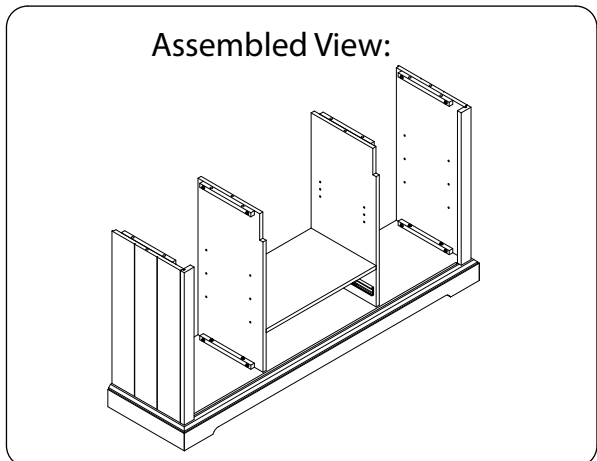
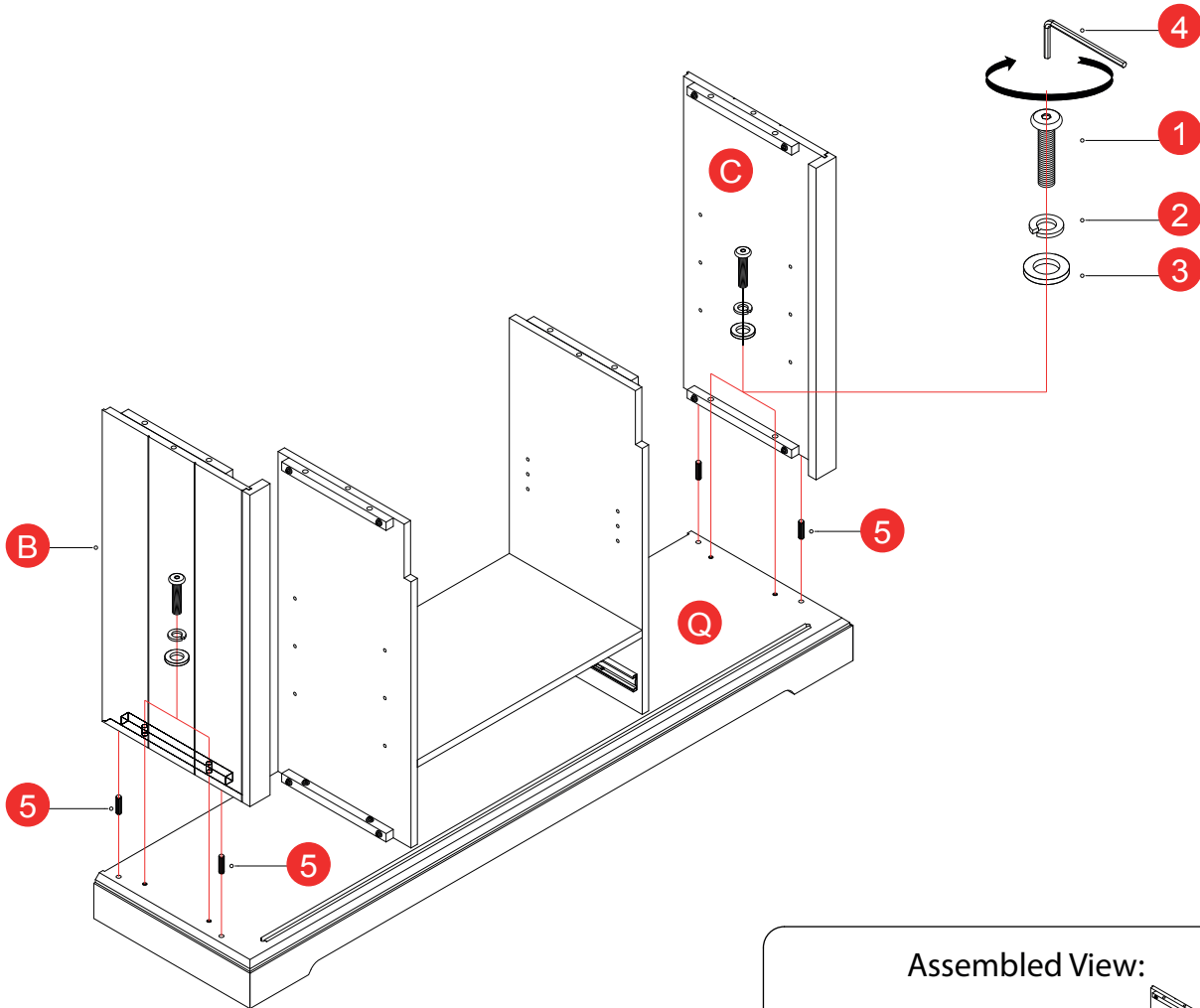
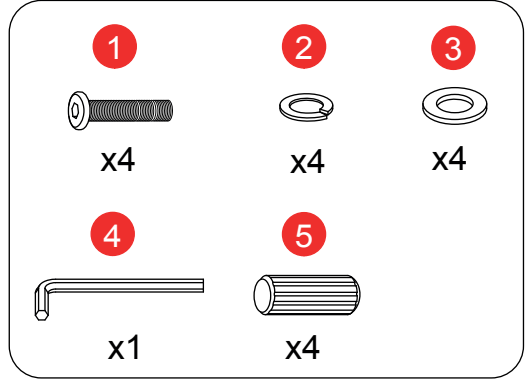
Assembled View:



STEP 5

1. Insert Wood Dowel (5) into the holes of Bottom panel (Q) as shown. Align the holes in Left Side Panel (B), Right Side Panel (C) and slide to place. Secure Left Side Panel (B), Right Side Panel (C) to Bottom Panel (Q) with Flat Washer (3), Spring Washer (2) and Allen Bolt (1) using Allen Key (4).
2. Fully tighten all bolts.

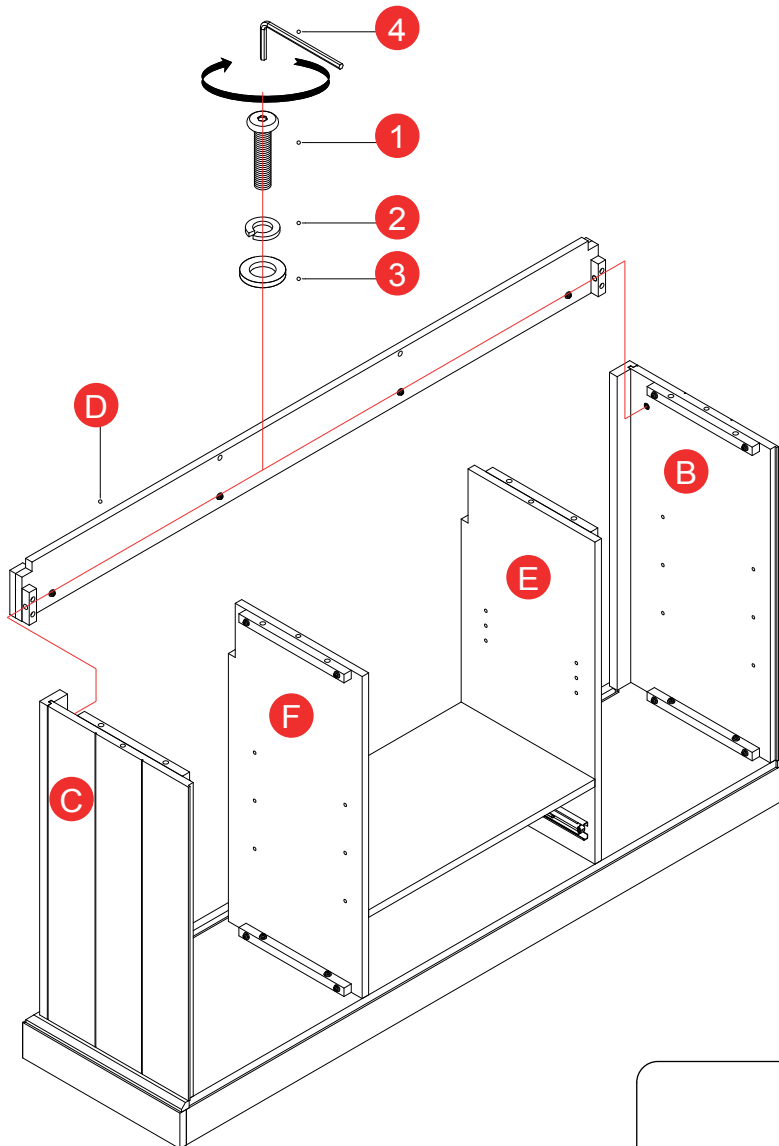
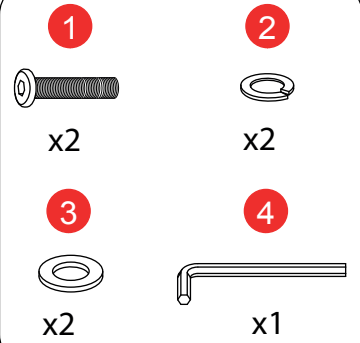
Hardware needed



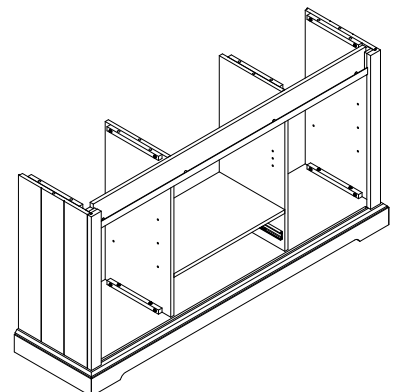
STEP 6

1. Place the Front Rail (D) into the notches of the Left Middle Panel (E) and Right Middle Panel (F) as shown in diagram.
2. Secure the Front Rail (D) to Left Side Panel (B) and Right Side Panel (C) with Flat Washer (3), Spring Washer (2) and Allen Bolt (1) using Allen Key (4).
3. Fully tighten bolts.

Hardware needed



Assembled View:

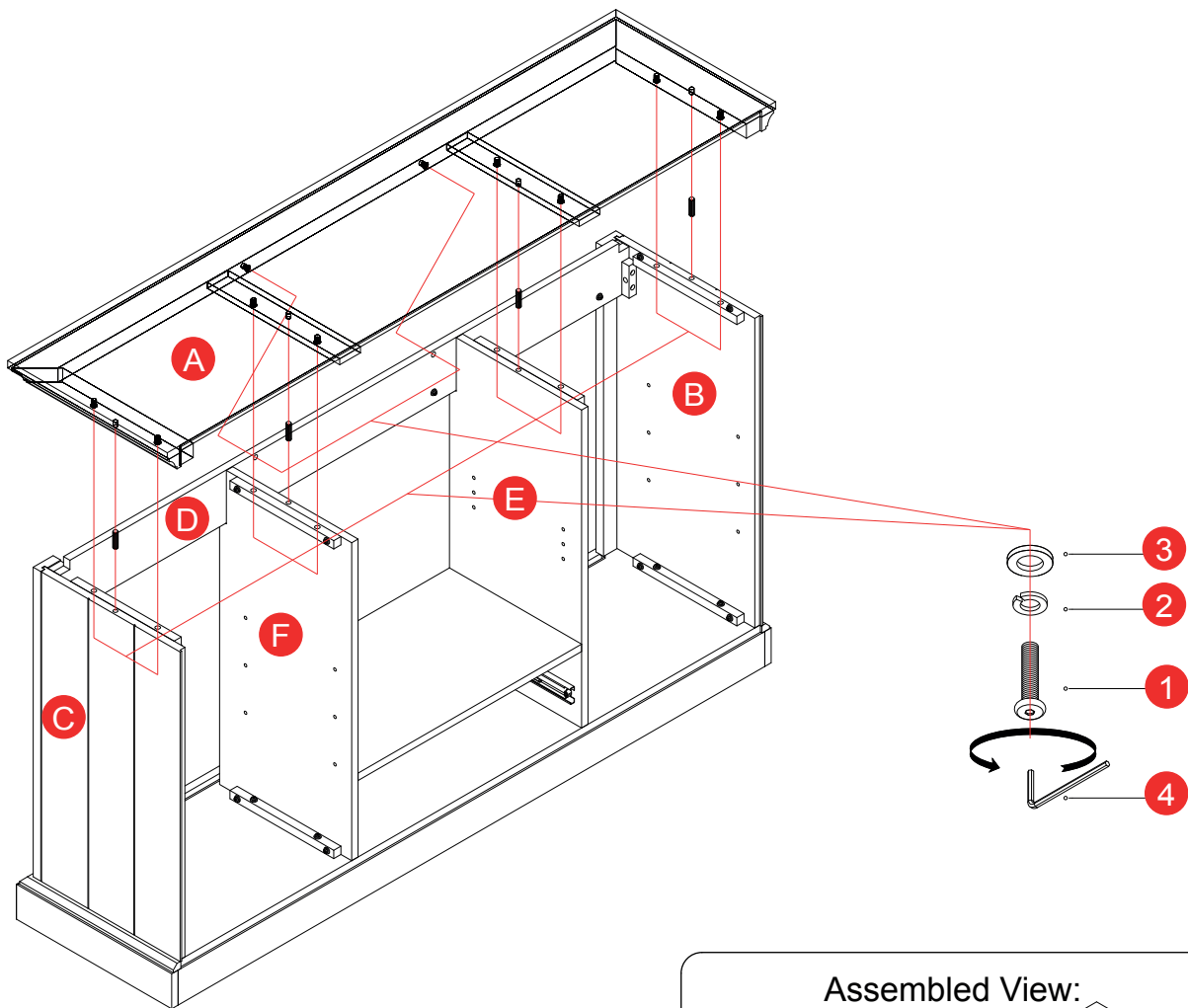
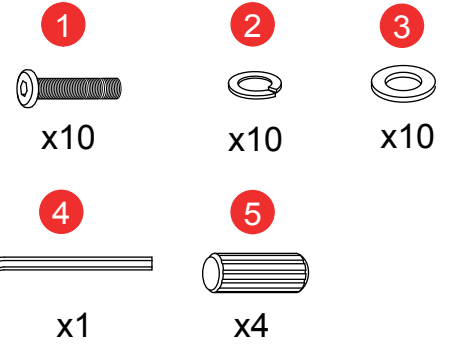


STEP 7

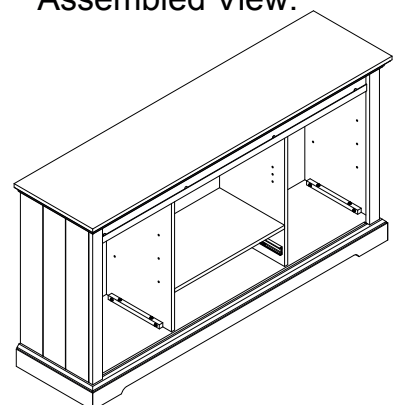
1. Insert Wood Dowel (5) into holes on the edge of Left Side Panel (B), Left Middle Panel (E), Right Middle Panel (F) and Right Side Panel (E).
2. With assistance, align the holes in Top Panel (A) with the inserted wood dowels and lower into place.

3. Secure the Top Panel (A) to Left Side Panel (B), Left Middle Panel (E), Right Middle Panel (F), Right Side Panel (C) and Front Rail (D) with Flat Washer (3), Spring Washer (2) and Allen Bolt (1) using Allen Key (4). Fully tighten bolts.

Hardware needed



Assembled View:

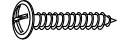


STEP 8

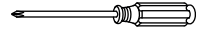
Place Back Panel (S) into position as shown in the diagram.
Ensure the Cabinet is square and secure both back panels in place with Screw (8)
using Phillips Screwdriver.
Fully tighten all screws..

Hardware needed

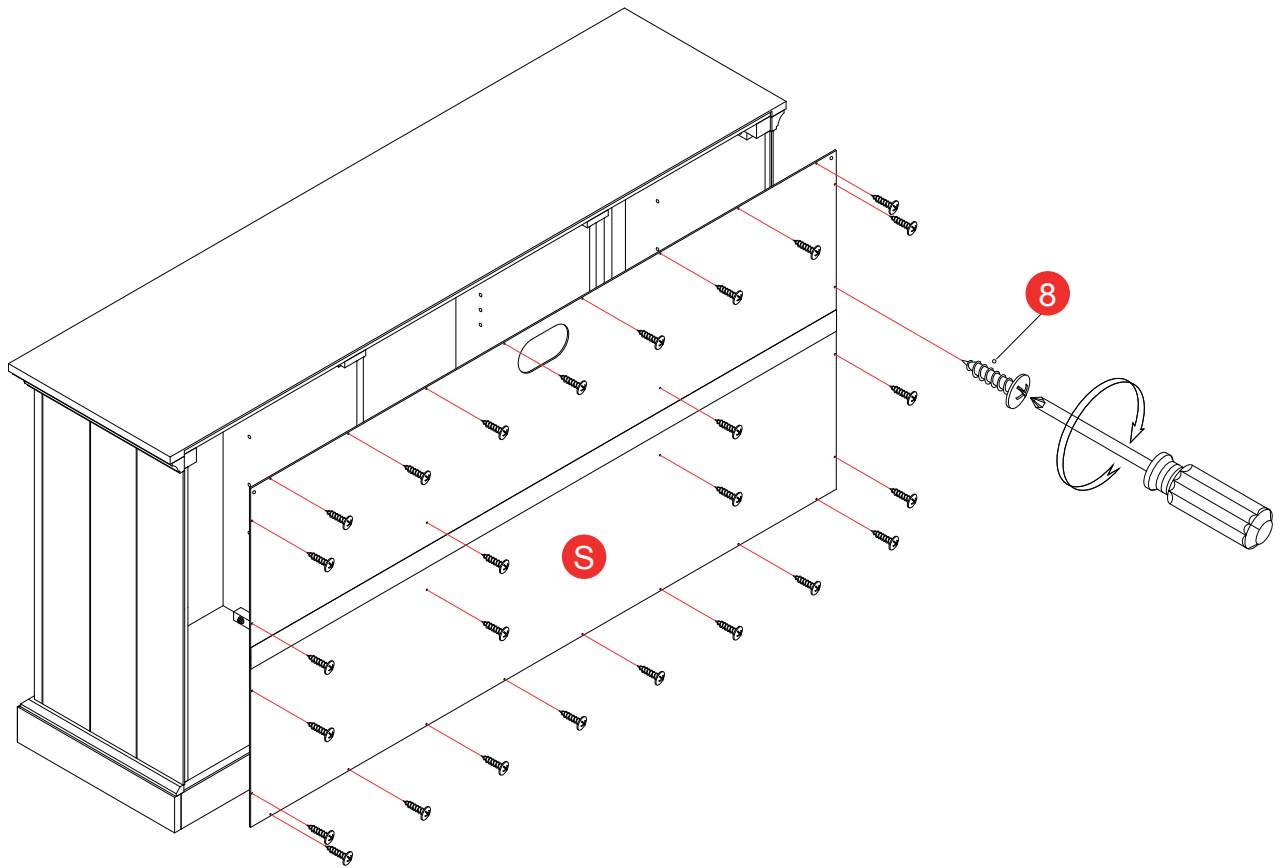
8



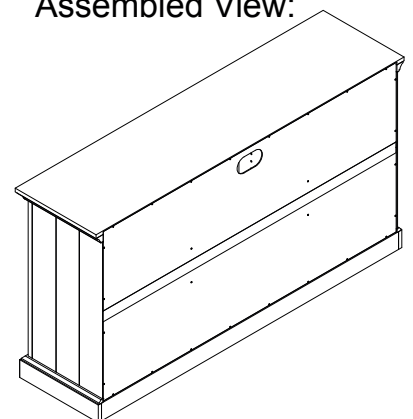
x28



Not included



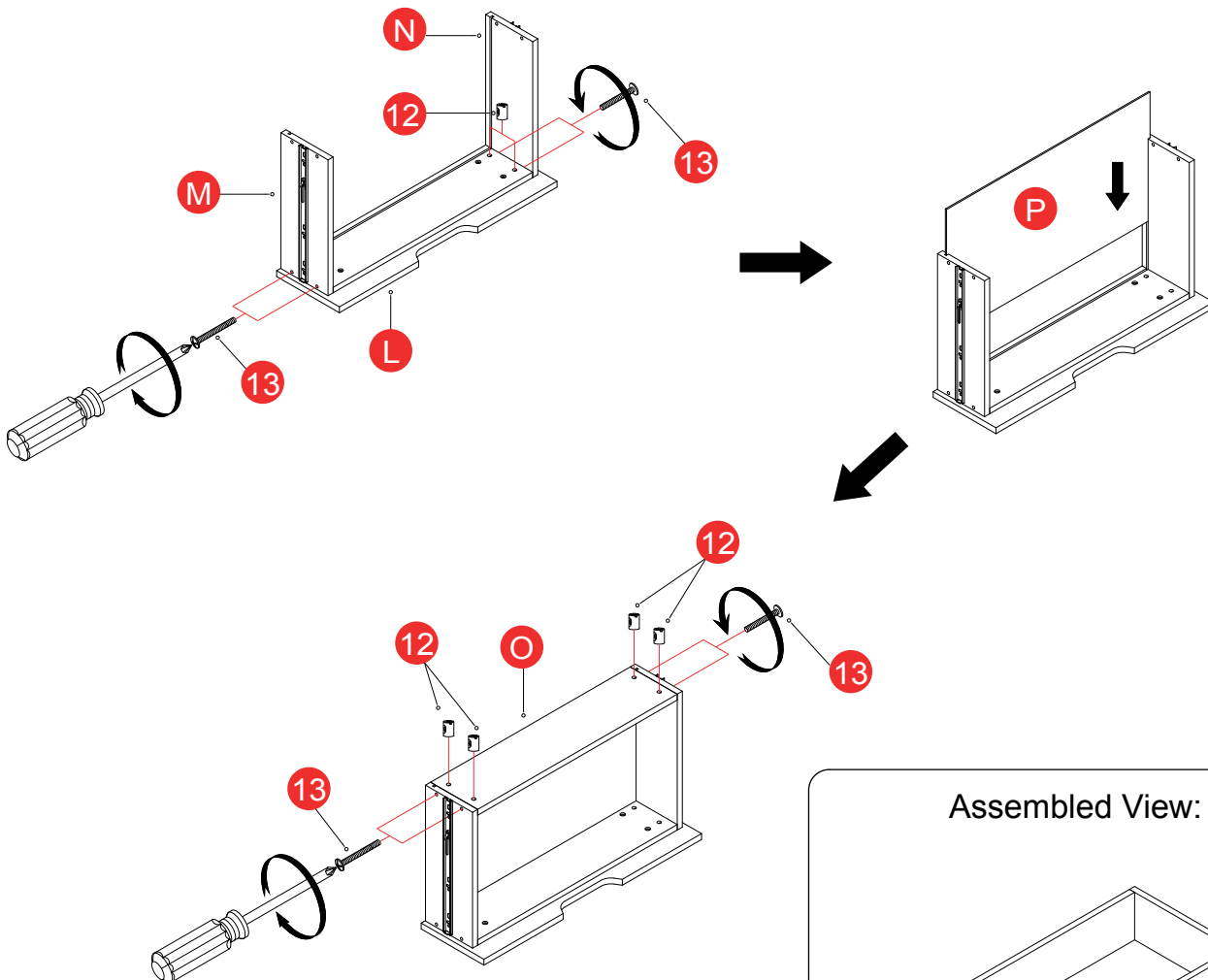
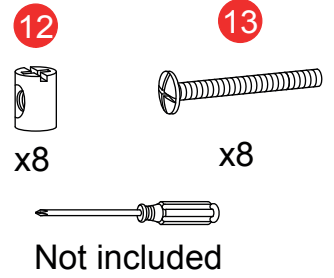
Assembled View:



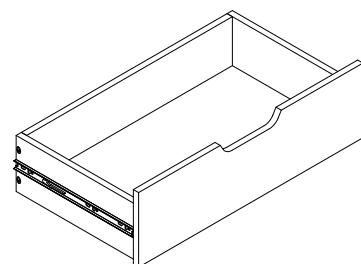
STEP 9

1. Place the Drawer Top Panel (L) on a flat smooth surface.
2. Insert Barrel Nut (12) into the pre-drilled holes of the Drawer Top Panel (L) with the cross side up and the holes facing the sides. Align the grooves of the Drawer Side Panel-Right (N) to the Drawer Top Panel (L) and attach with Bolt (13) using Phillips Screwdriver.
3. Repeat process to attach Drawer Side Panel-Left (M) as shown in the diagram. Slide Drawer Bottom Panel (P) into the grooves of the Drawer Side Panels and Drawer Front Panel as shown in the diagram. Insert Barrel Nut (12) into the Drawer Back Panel (O). Place the groove of the Drawer Back Panel (O) onto the Drawer Bottom Panel (P) and secure the Drawer Back Panel (O) to the Drawer Side Panels with Bolt (13) using a Phillips Screwdriver.
4. Fully tighten all bolts.

Hardware needed



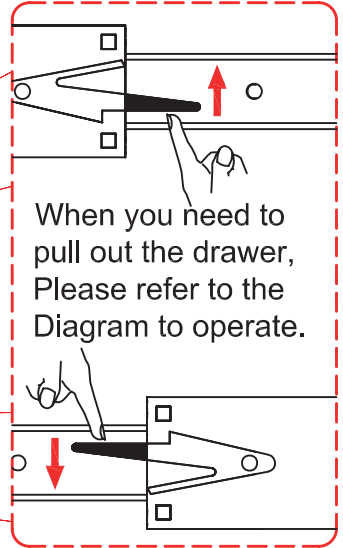
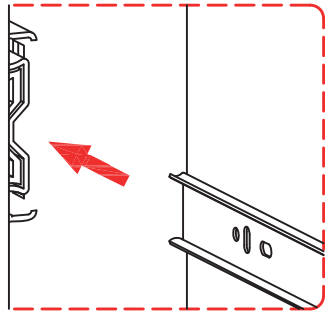
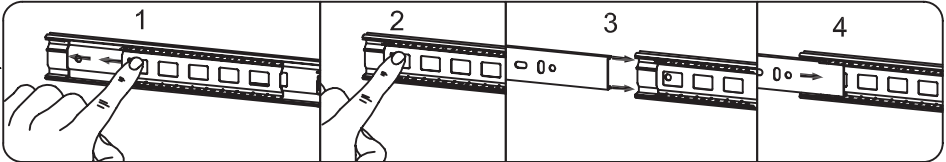
Assembled View:



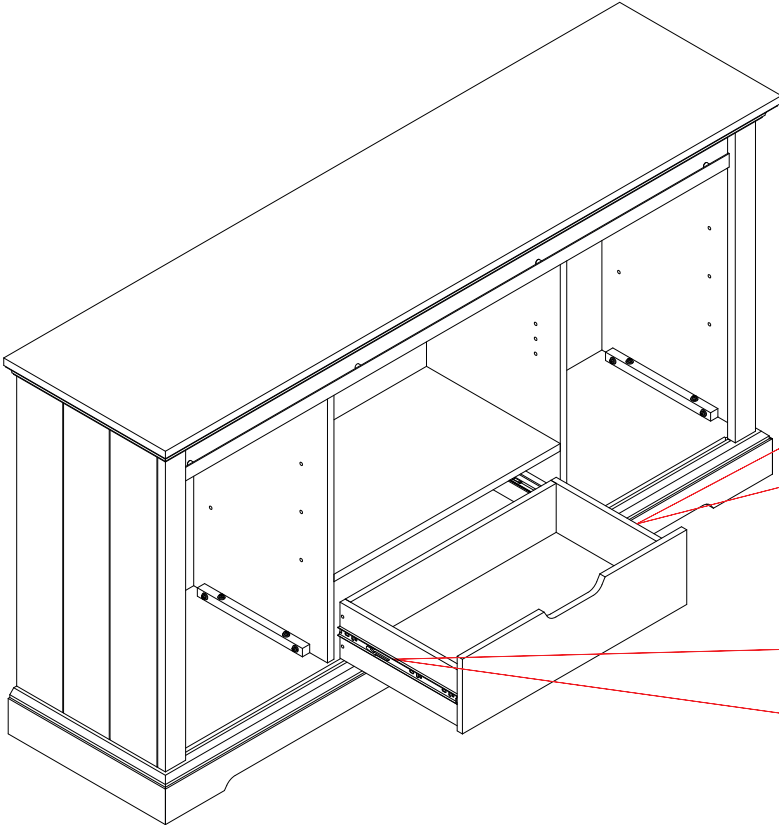
STEP 10

Align the track on the drawer with the track on cabinet. Gently push drawer into position. Be sure to apply equal pressure to both side while inserting the drawer. If drawer sticks or jams then remove the drawer and reinsert it according to directions.

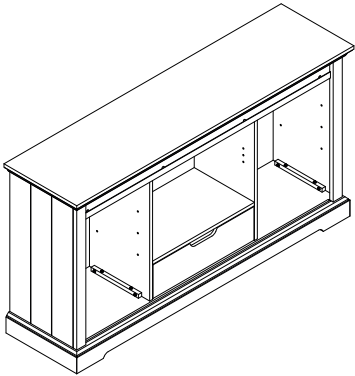
Attention:
Before assembly, please make sure to adjust the metal piece/ball bearing to the front of the drawer glide for both left and right side slider



When you need to pull out the drawer, Please refer to the Diagram to operate.



Assembled View:



STEP 11

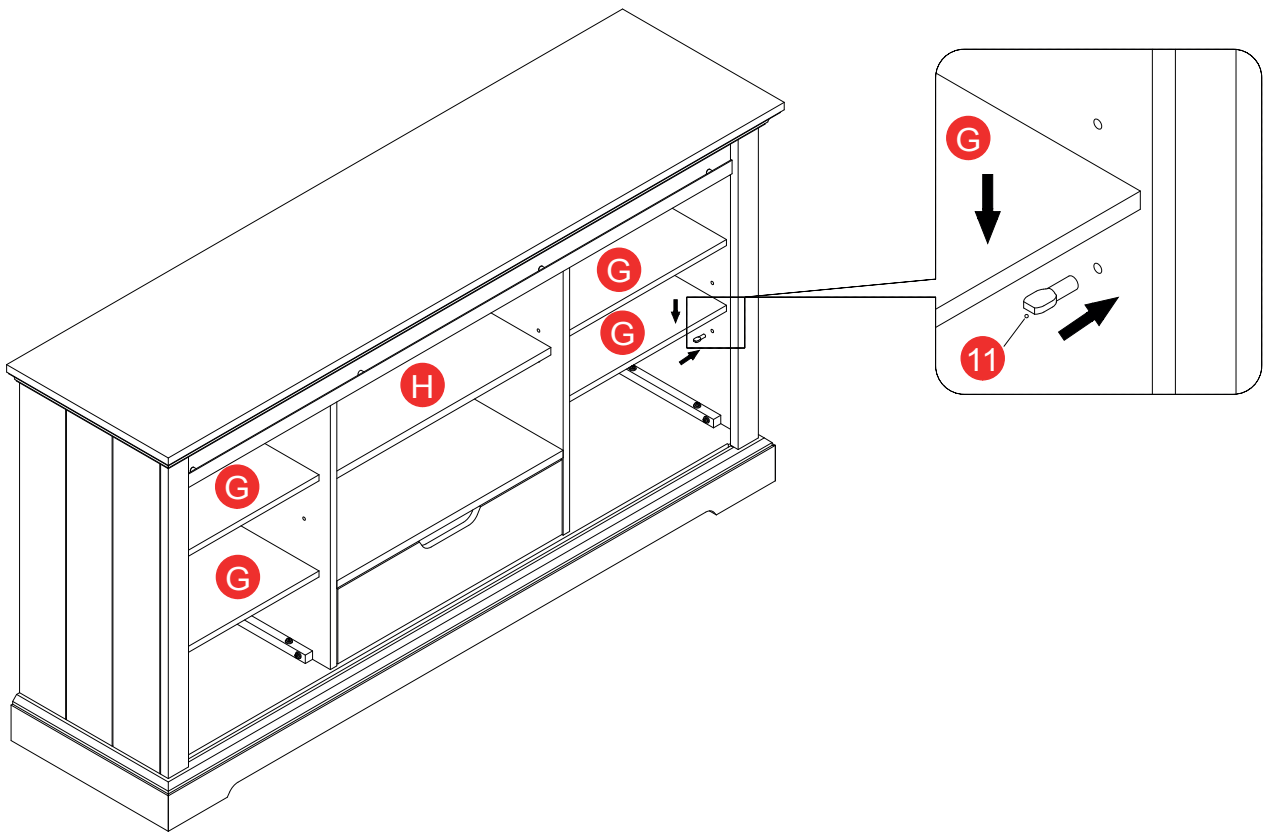
Insert the Shelf Pin (11) into the pre-drilled holes as shown in the diagram.
Place Side Adjustable Shelf (G) onto the Shelf Pins as shown.
Repeat the process for the remaining Side Adjustable Shelf (L) and the Center Adjustable Shelf (H).
You can adjust the position of shelf as needed.

Hardware needed

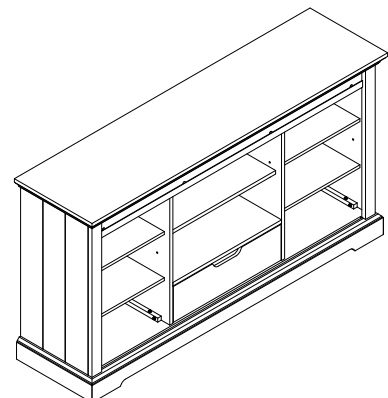
11



x20



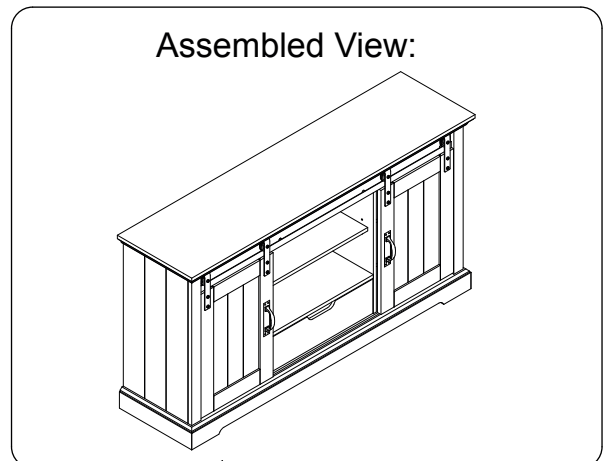
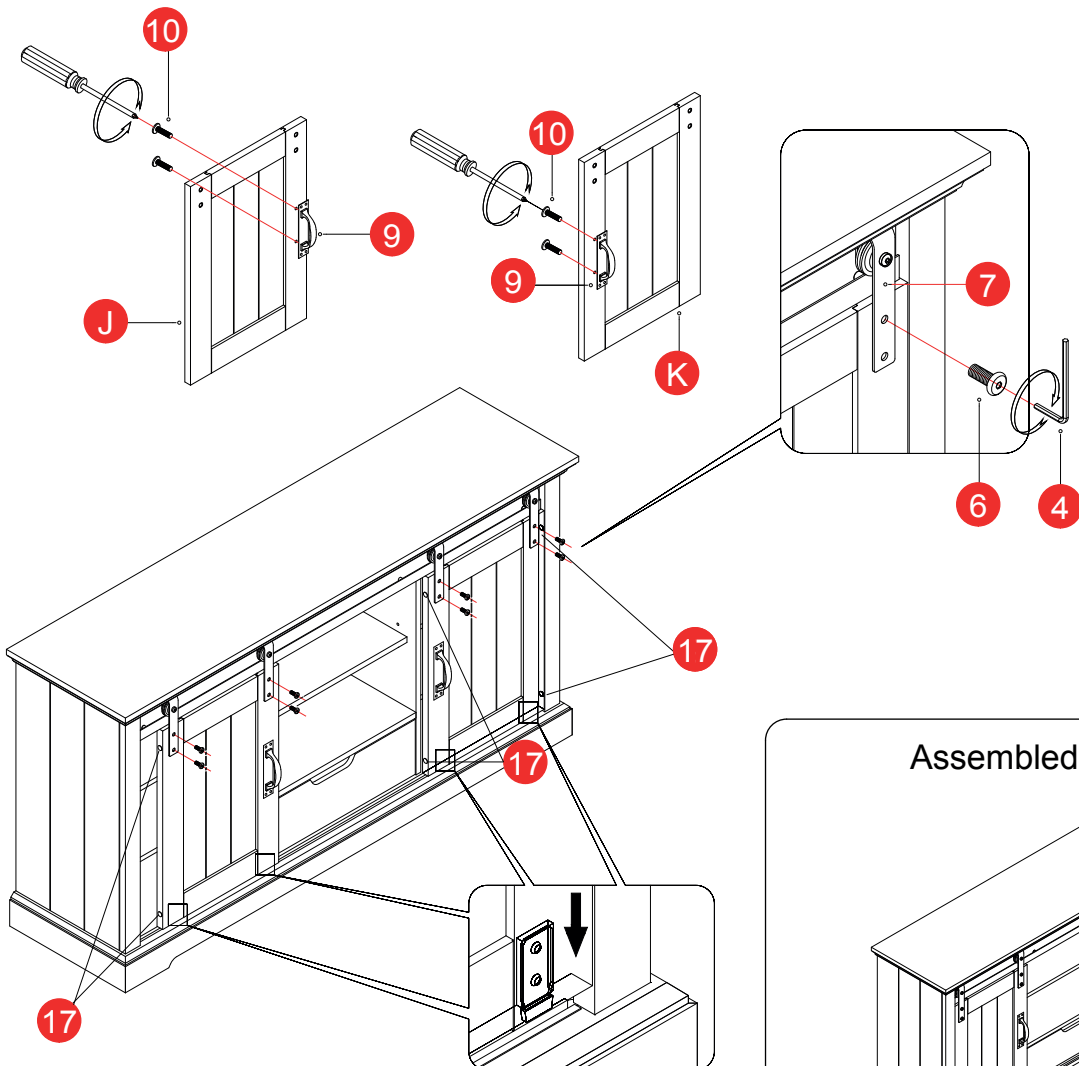
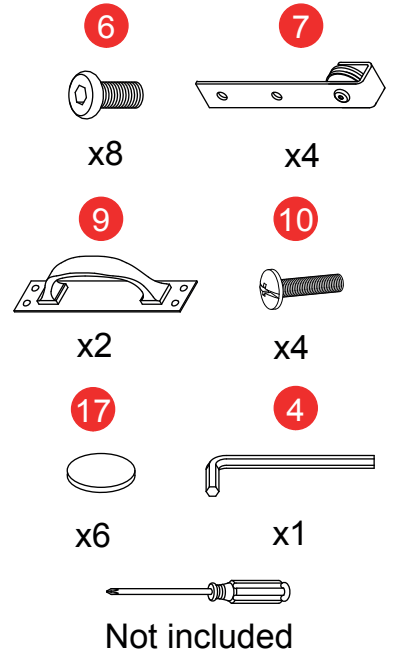
Assembled View:



STEP 12

1. Insert Handle (9) into the holes on the front of Left Door (J) and secure in place with Handle Bolt (10) using Phillip Screwdriver.
2. Repeat the process for the remain handle to Right Door (K).
2. Insert the Bottom Glider of Left Door (J) into the groove of the Bottom Panel (Q) and lean the door against the Middle Panels. Hang the Sliding Hardware (7) on the Metal Rail so it rolls smoothly. Align the holes in Sliding Hardware (7) with the holes in the door and attach Sliding Hardware (7) to the door with Allen Bolt (6) using Allen Key (4).
3. Do not fully tighten bolts.
4. Hang a second Sliding Hardware (7) and attach it to the Left Door (J) with Allen Bolt (6) using Allen Key (4). Align the hardware so it is straight and fully tighten bolts.
5. Repeat the process to install the Right Door (K). Once both doors are installed, attach the Plastic Pad (17) on the outside edge of both doors as shown in diagram.

Hardware needed



STEP 13

Attach the Anti-tipping Strips (14) to the back top of the mantel with Screw (16) and Flat Washer (3). With assistance, place the console in the desired location and mark the wall just below the spot where the Anti-tipping Strips are attached to the console.

Remove the console.

Drill holes in the marked locations on the wall and insert the Wall Anchor (15). Place the console back into position leaving room to attach the Anti-tipping Strips (14) to the Wall Anchor (15) with Screw (16) and Flat Washer (3). Fully tighten Screws.

Move the console tight against the wall.

NOTE:

Please insure any media equipment is plugged in and working correctly before securing the Anti-tipping Strips to the Wall Anchors.

Hardware needed

3



x4

14



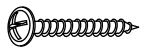
x2

15

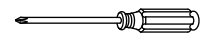


x2

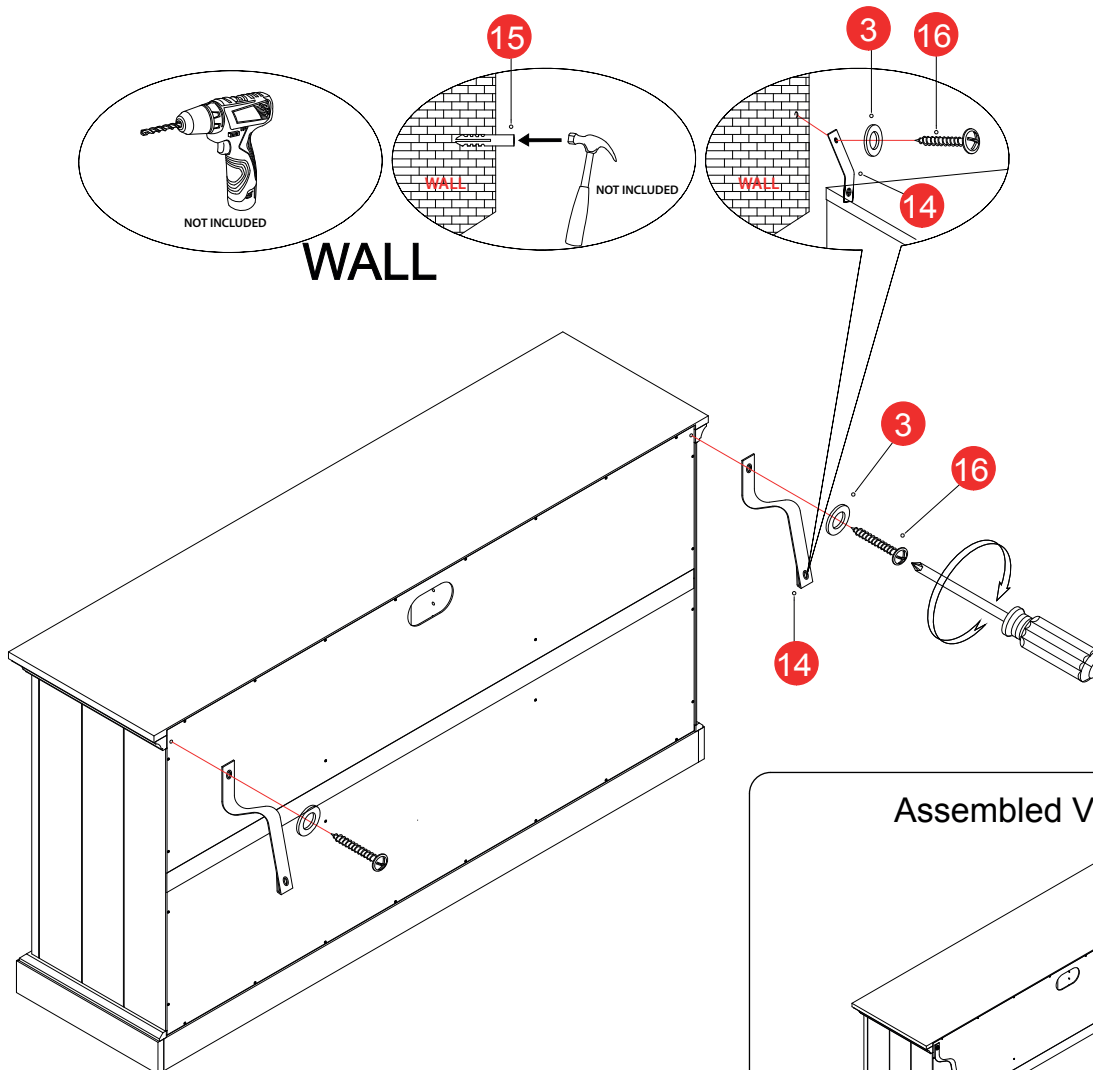
16



x4



Not included

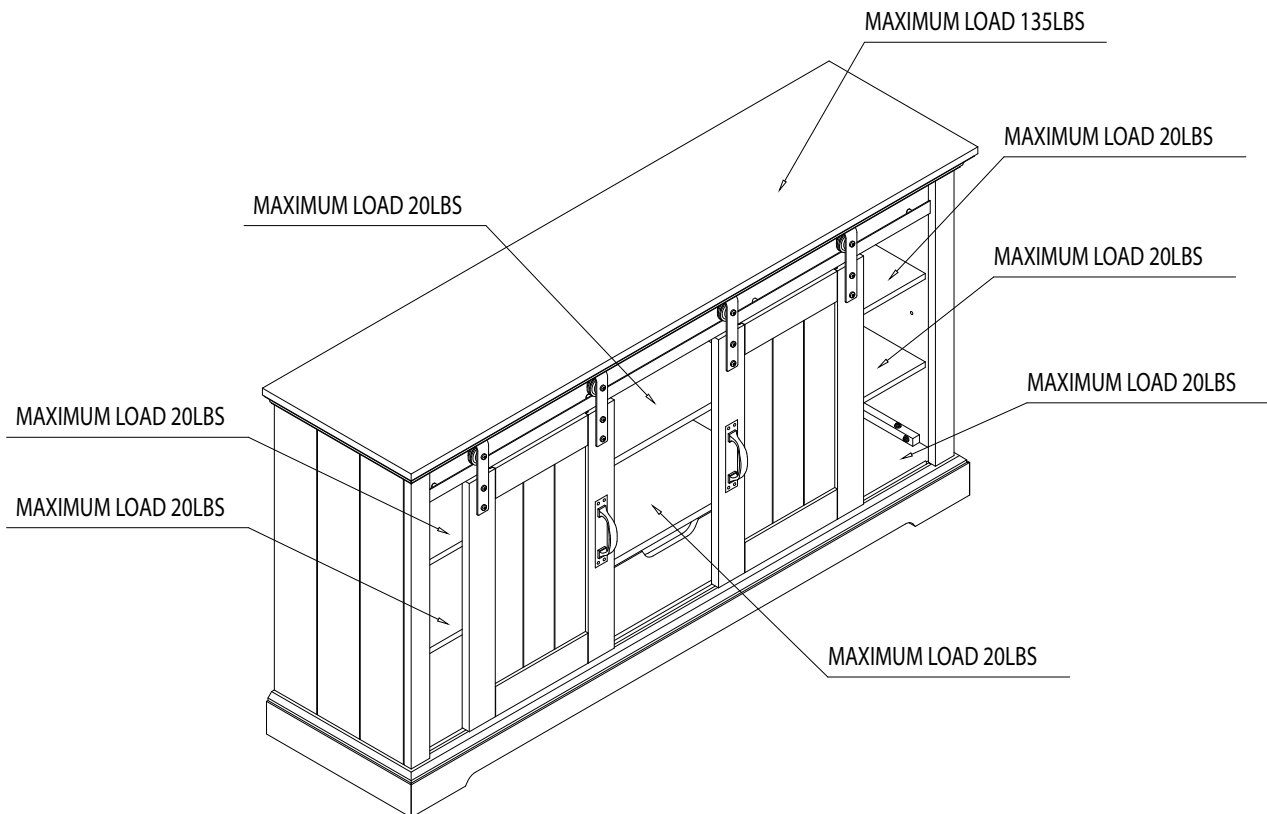


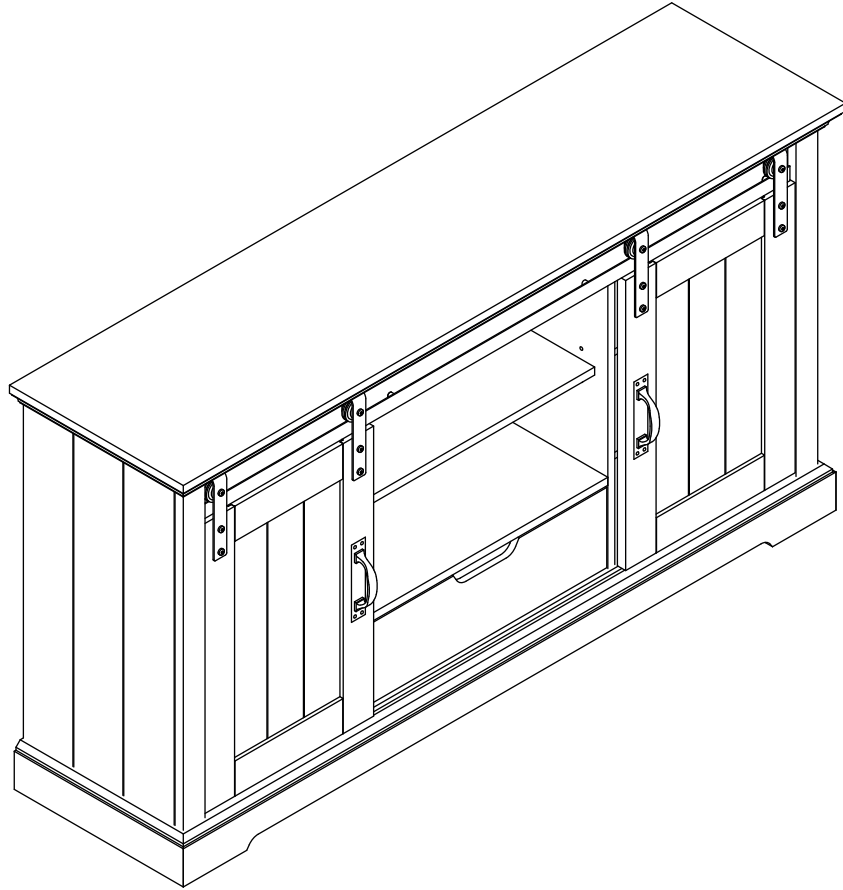
! WARNING

The maximum diagonal Plasma/LCD television screen size is 60inch (152.40cm). For use with televisions weighing 135 lbs. (61.23 kg) or less. Using larger or heavier televisions may cause instability or tip-over which lead to serious injury or even death.

WARNING - Death or serious injury may occur when children climb on audio and/or video equipment furniture. A remote control or toys placed on the furnishing may encourage a child to climb on the furnishing and as a result the furnishing may tip over on to the child.

WARNING - Relocating audio and/or video equipment to furniture not specifically designed to support audio and/or video equipment may result in death or serious injury due to the furnishing collapsing or over turning onto a child.





ASSEMBLY IS COMPLETED

PRINTED IN VIETNAM