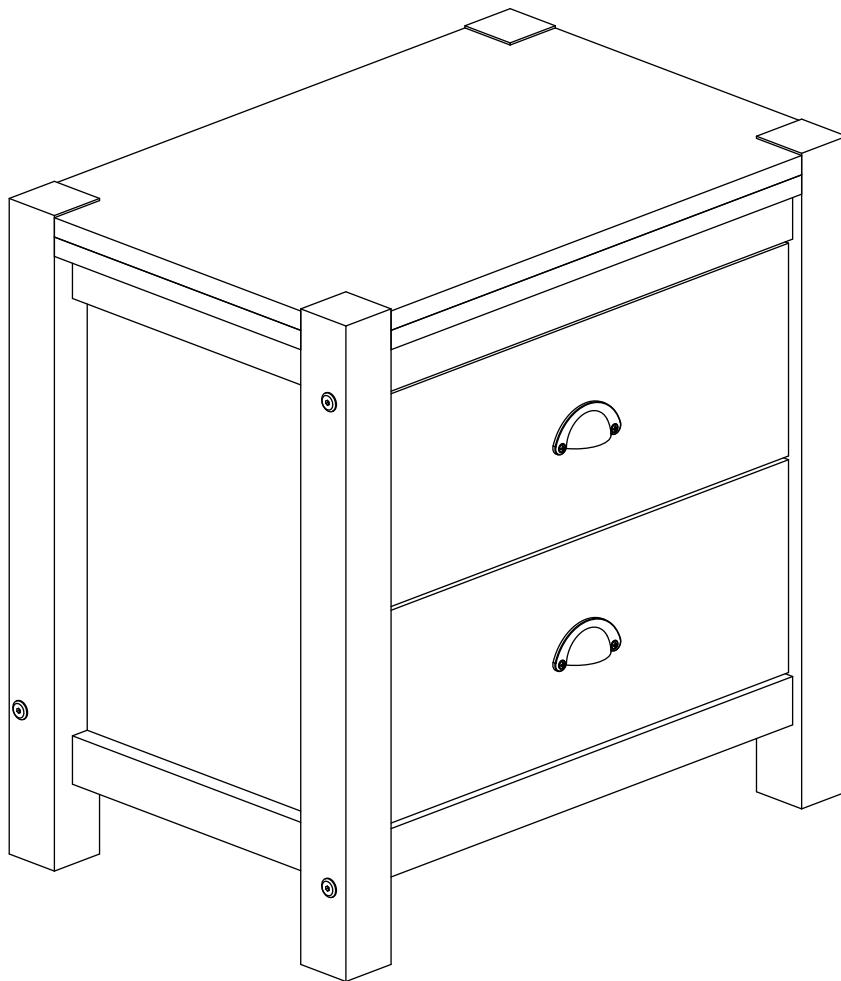


RUSTIC 2 DRAWER BEDSIDE

ASSEMBLY INSTRUCTIONS

SKU 6523 - Rustic Dark

SKU 6529 - Rustic Light

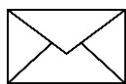


IMPORTANT PLEASE READ BEFORE YOU CONTINUE FURTHER FOR DOMESTIC USE ONLY CARE AND MAINTENANCE

- After unpacking this product please keep the original packaging in case it needs to be returned for any reason.
- Please ensure all fittings and parts are present before commencing with assembly.
- We recommend that you lay a blanket or sheet on the floor to avoid damage to both your floor and the product.
- We strongly recommend that you keep children away from your work area.
- Assemble this product as close to its final position as possible
- Never drag or push products as this could cause damage to the joints making it inferior.
- Do not drag or push items across your furniture as this may cause the surface to scratch.
- Do not place this product next to radiator or in direct sunlight.
- Wood is a natural product and may expand if subjected to damp and may shrink or crack if subjected to heat. Therefore it is recommended that room temperature is maintained, with no sudden temperature fluctuations.
- Make sure any spillage is Wiped off immediately.
- Do not place hot or chilled items directly on to the surface, use a place mat or marking will occur.
- For general cleaning use soft cotton or micro fibre cloth and do not use detergents of any kind.
- Do not place on a wet or damp floor as staining may occur to your floor.
- From time to time it may be necessary to tighten fittings, regular inspections should be carried out.

how to contact us:

More details how to assemble your product at: seconique-us.com then follows:



info@seconiqueus.com



seconique-us.com

seconique-us.com



seconique-us.com

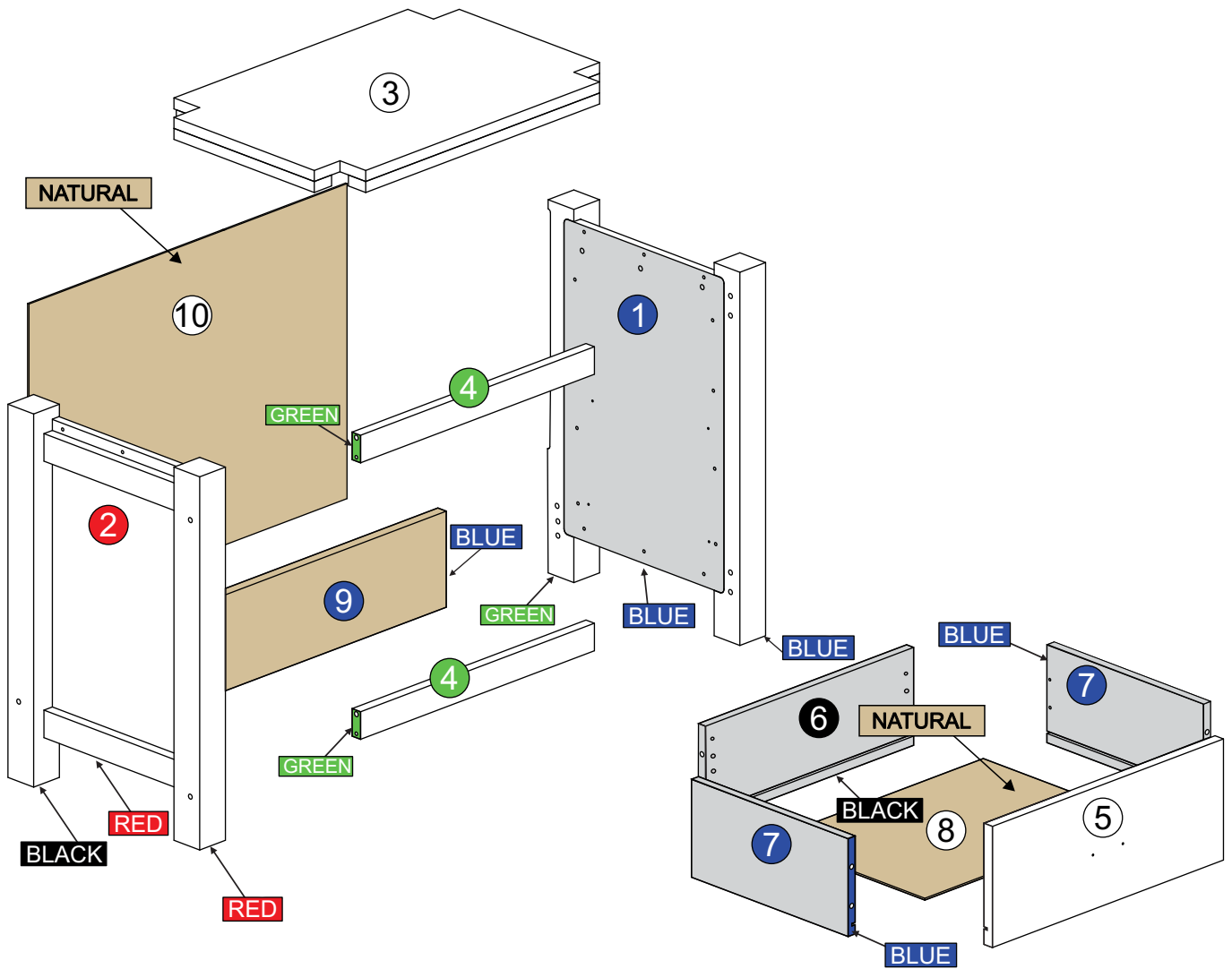
 YouTube



seconique US



@seconiqueus



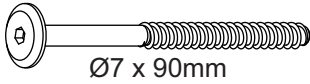

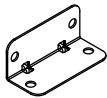



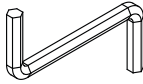


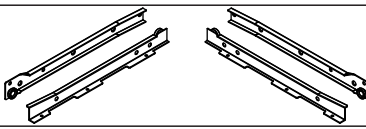

Please Note:

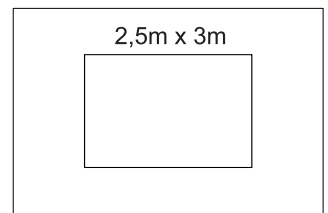
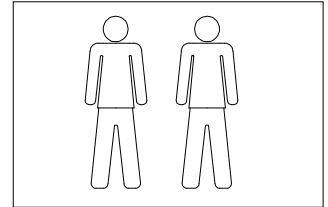
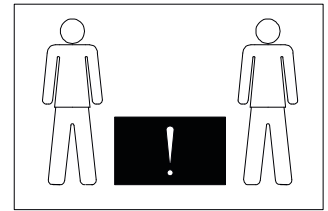
The parts below have been stamped with the part number/color to help identify them during assembly

PARTS LIST

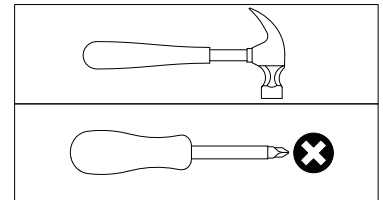
Part Number/ Color	Part Description	Quantity	Carton
1	Right side panel (BLUE) (GREEN)	1	1/1
2	Left side panel (RED)(BLACK)	1	1/1
3	Top panel (NATURAL)	1	1/1
4	Connecting rail (GREEN)	2	1/1
5	Drawer front (BLUE)	2	1/1
6	Drawer back panel (BLACK)	2	1/1
7	Side panel (BLUE) / (NUMBER)	4	1/1
8	Drawer bottom panel (NATURAL)	2	1/1
9	Lower rail (BLUE)	1	1/1
10	Back panel (NUMBER)	1	1/1

FITTINGS

A	 Ø7 x 90mm	06
B	 Glue	01
C	 Metal bracket	04
D	 Ø8 x 30mm	24
E	 Ø3,5 x 35mm	14
F	 Ø3,5 x 16mm	04
G		01
H	 Cup handle	02
I	 Nail 10x10	14
J		02
K	 Ø3,5 x 14mm	36



TOOLS REQUIRED



!

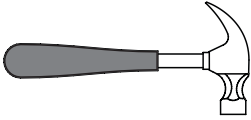
- * Use of power tools to assemble this product will invalidate any claim and damage this product making it unsafe !!!
- * Please assemble on a clean soft surface to avoid damage.

!

- * Please check contents and read the instructions before commencing assembly.
- * Assemble this product following the enclosed instructions carefully.
- * Please take care to avoid damaging panels during assembly.

STEP 1

TOOLS REQUIRED



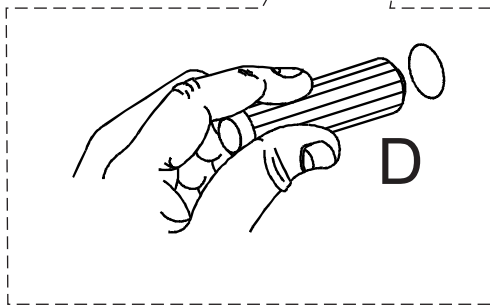
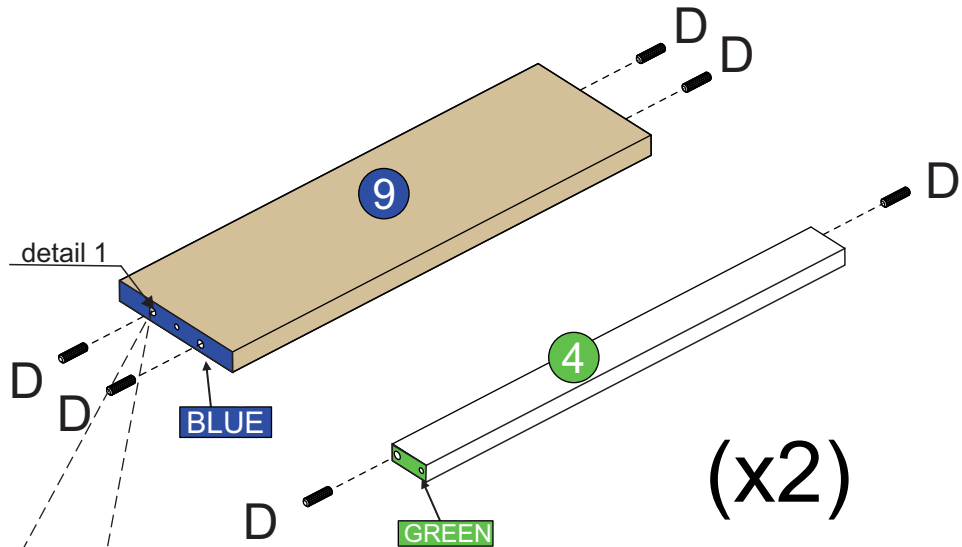
PARTS REQUIRED

4 - Connecting rail (GREEN) x2

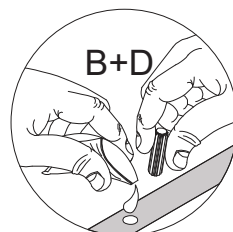
9 - Lower rail (BLUE) x1

HARDWARE REQUIRED

D	 Ø8 x 30mm	08
B		01



Please assemble on a clean soft surface to avoid damage.



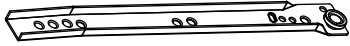

Detail 1

STEP 2

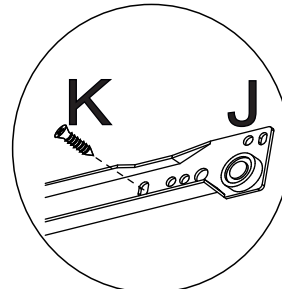
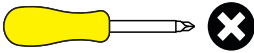
PARTS REQUIRED

1 - Right side panel (BLUE / GREEN) x1

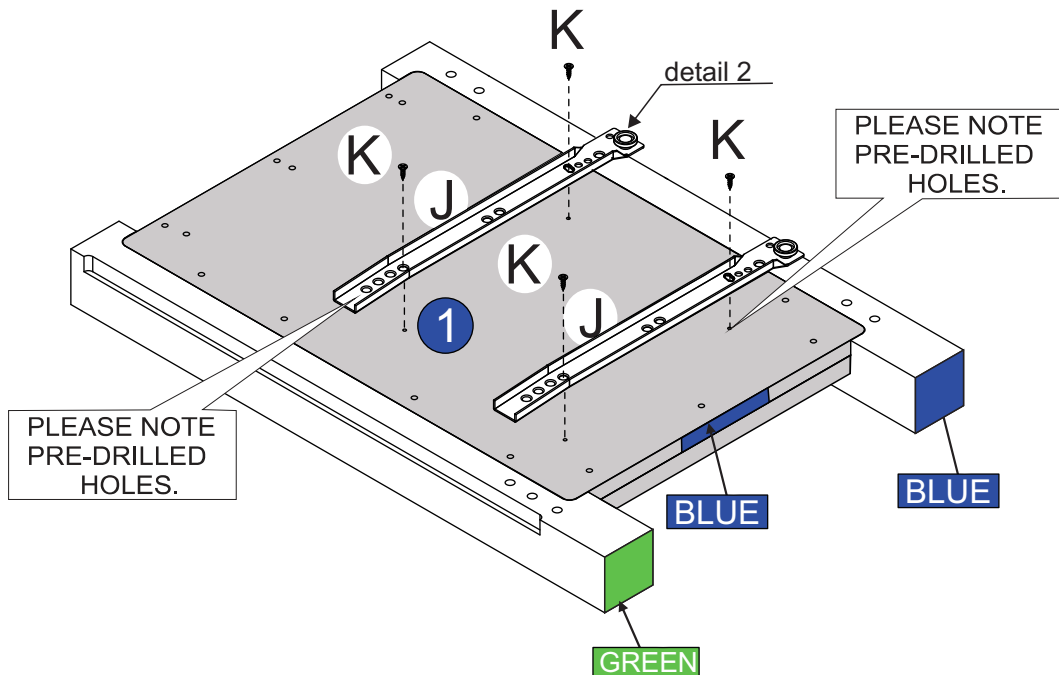
HARDWARE REQUIRED

J		02
K	 Ø3,5 x 14mm	04

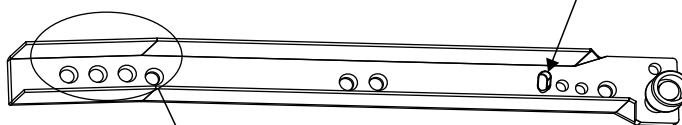
TOOLS REQUIRED



Detail2 Right



FOURTH HOLE (LINE UP WITH PRE-DRILLED HOLE)



PRE MARKING HOLE



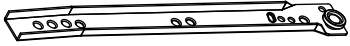

Please assemble on a clean soft surface to avoid damage.

STEP 3

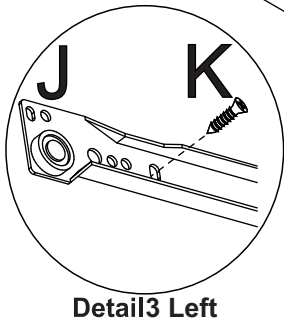
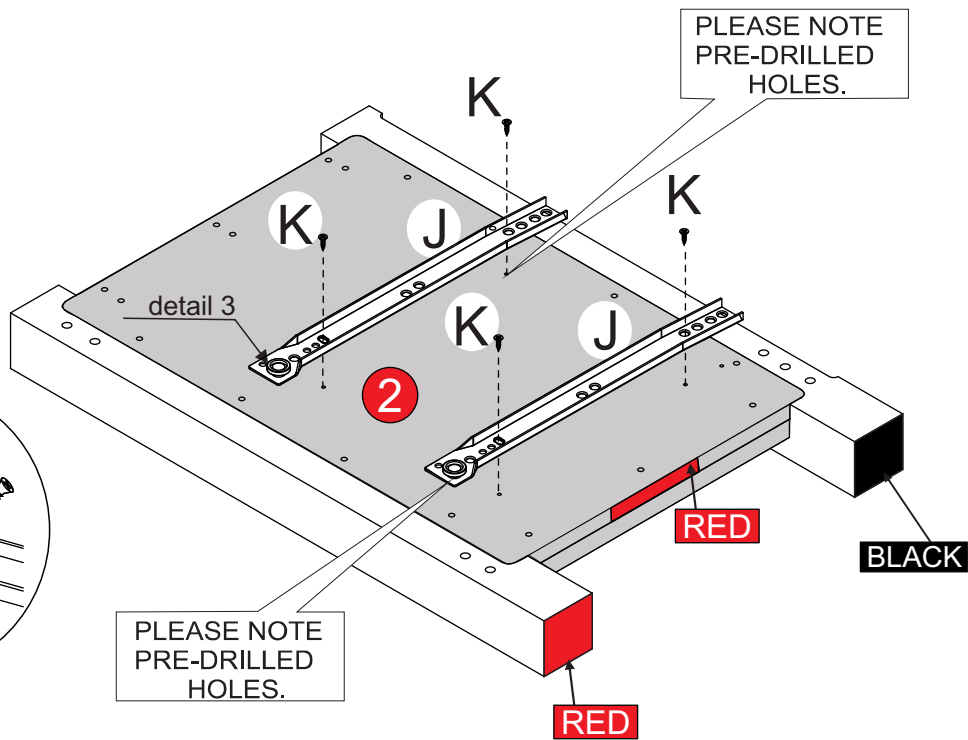
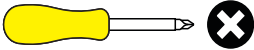
PARTS REQUIRED

2 - Left side panel (RED / BLACK) x1

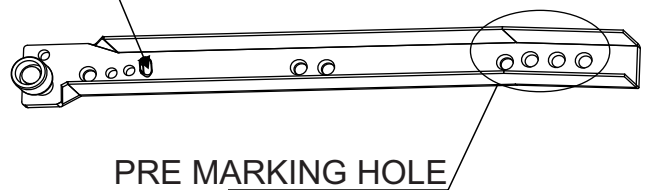
HARDWARE REQUIRED

J		02
K	 Ø3,5 x 14mm	04

TOOLS REQUIRED



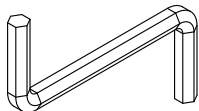
FOURTH HOLE (LINE UP WITH PRE-DRILLED HOLE)



Please assemble on a clean soft surface to avoid damage.

STEP 4

TOOLS REQUIRED



PARTS REQUIRED

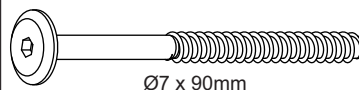
1 - Right side panel (BLUE / GREEN) x1

4 - Connecting rail (GREEN) x2

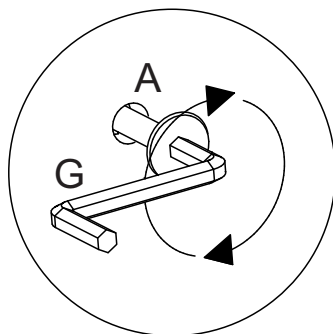
9 - Lower rail (BLUE) x1

HARDWARE REQUIRED

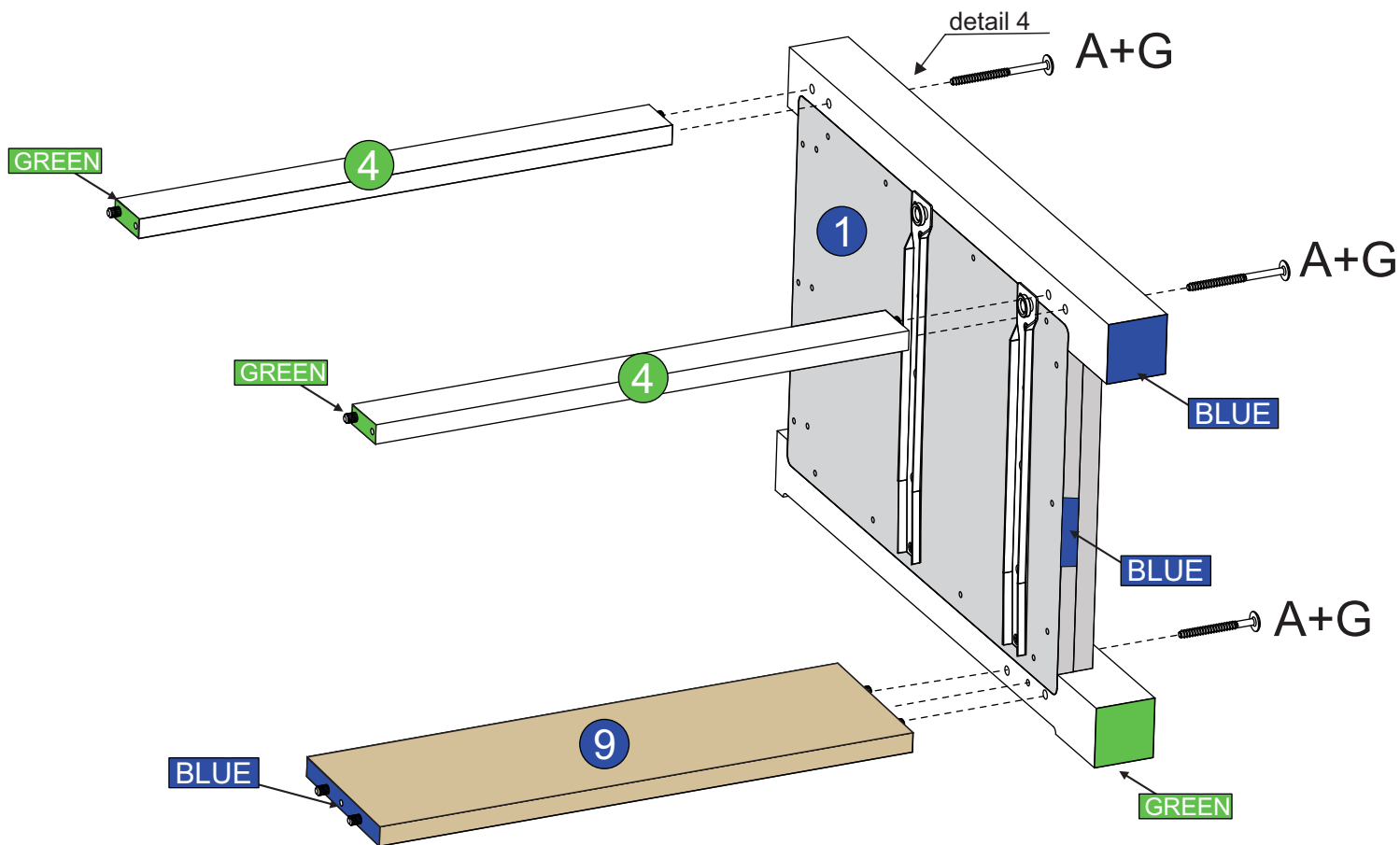
A



03



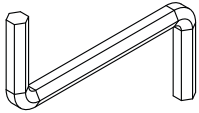
Detail4



Please assemble on a clean soft surface to avoid damage.

STEP 5

TOOLS REQUIRED

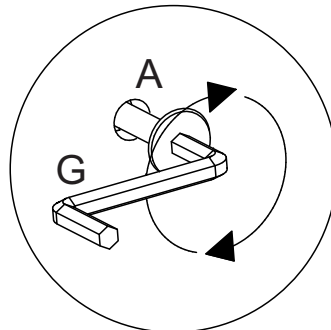


PARTS REQUIRED

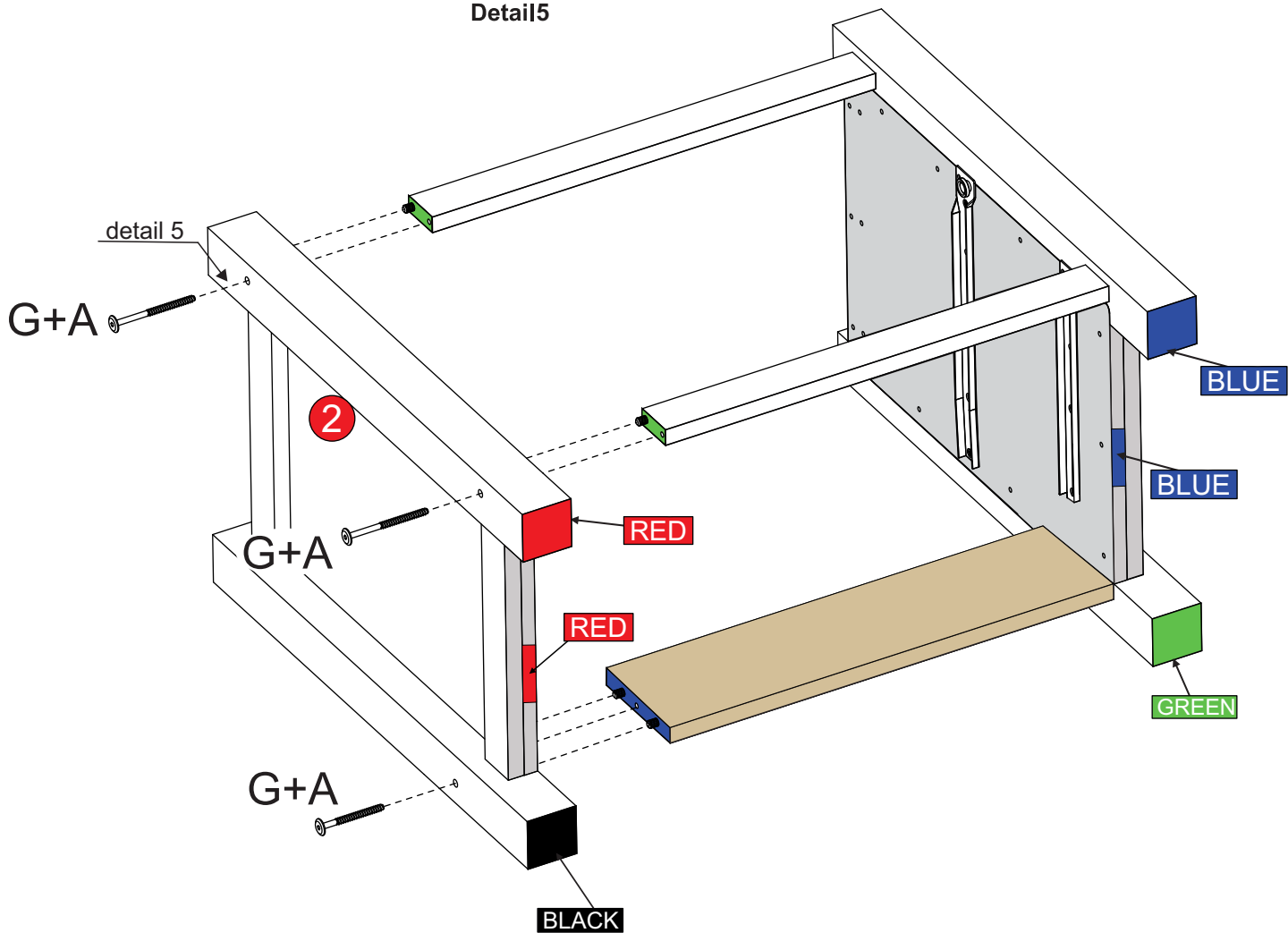
2 - Left side panel (RED / BLACK) x1

HARDWARE REQUIRED

A	 Ø7 x 90mm	03
---	---------------	----



Detail5



Please assemble on a clean soft surface to avoid damage.

STEP 6

PARTS REQUIRED

3 - Top panel (NATURAL) x1

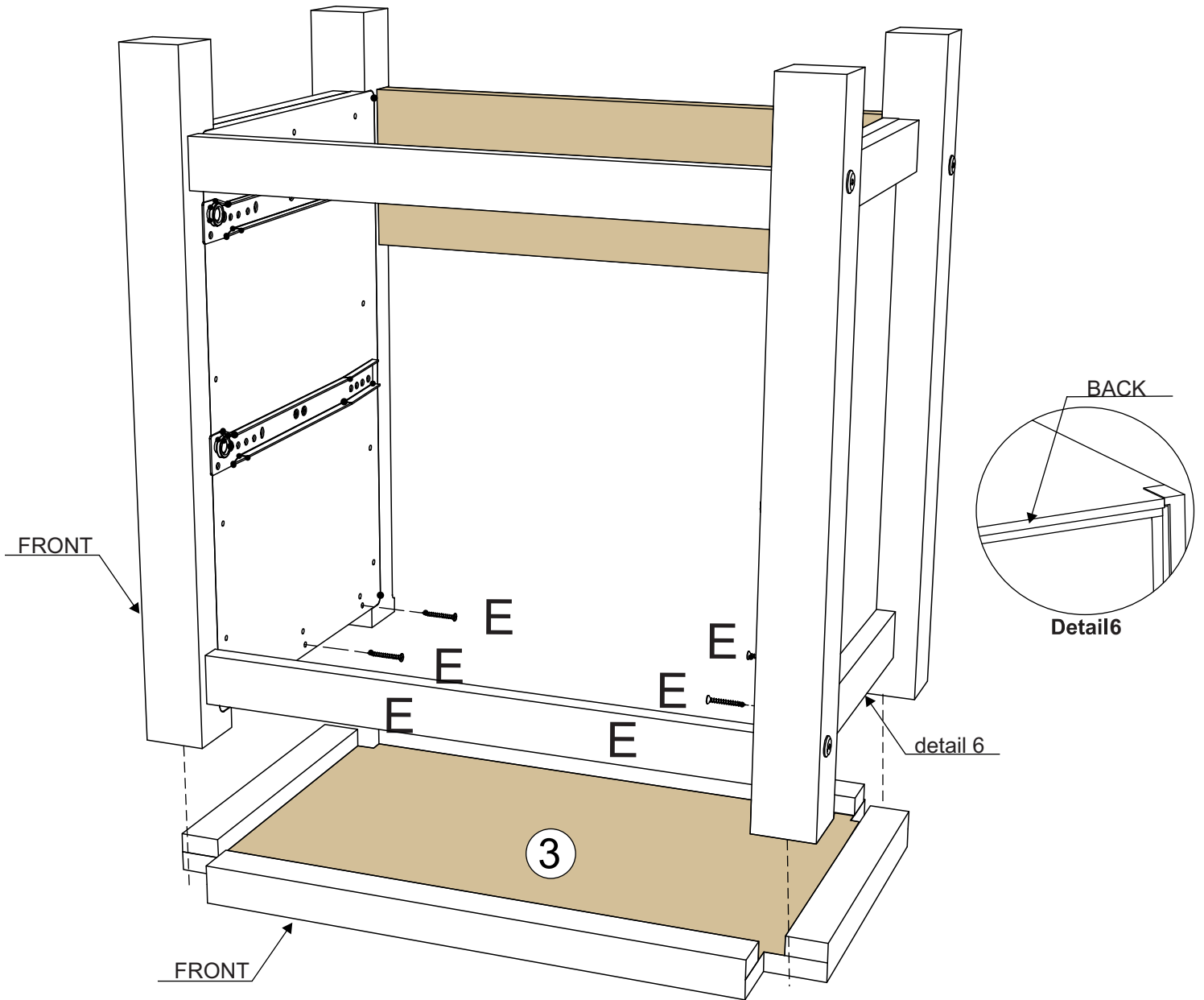
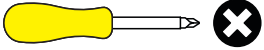
HARDWARE REQUIRED

E



06

TOOLS REQUIRED



Please assemble on a clean soft surface to avoid damage.

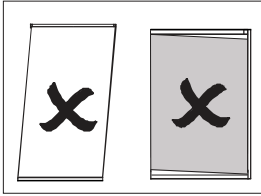
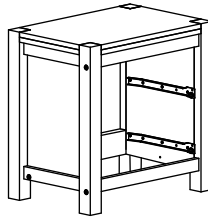
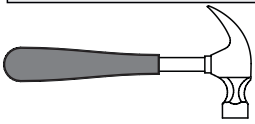
STEP 7

PARTS REQUIRED

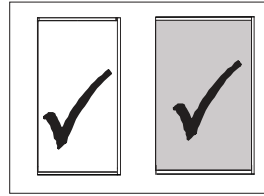
10 - Back panel (NATURAL) x1

HARDWARE REQUIRED

14 Nail 10x10

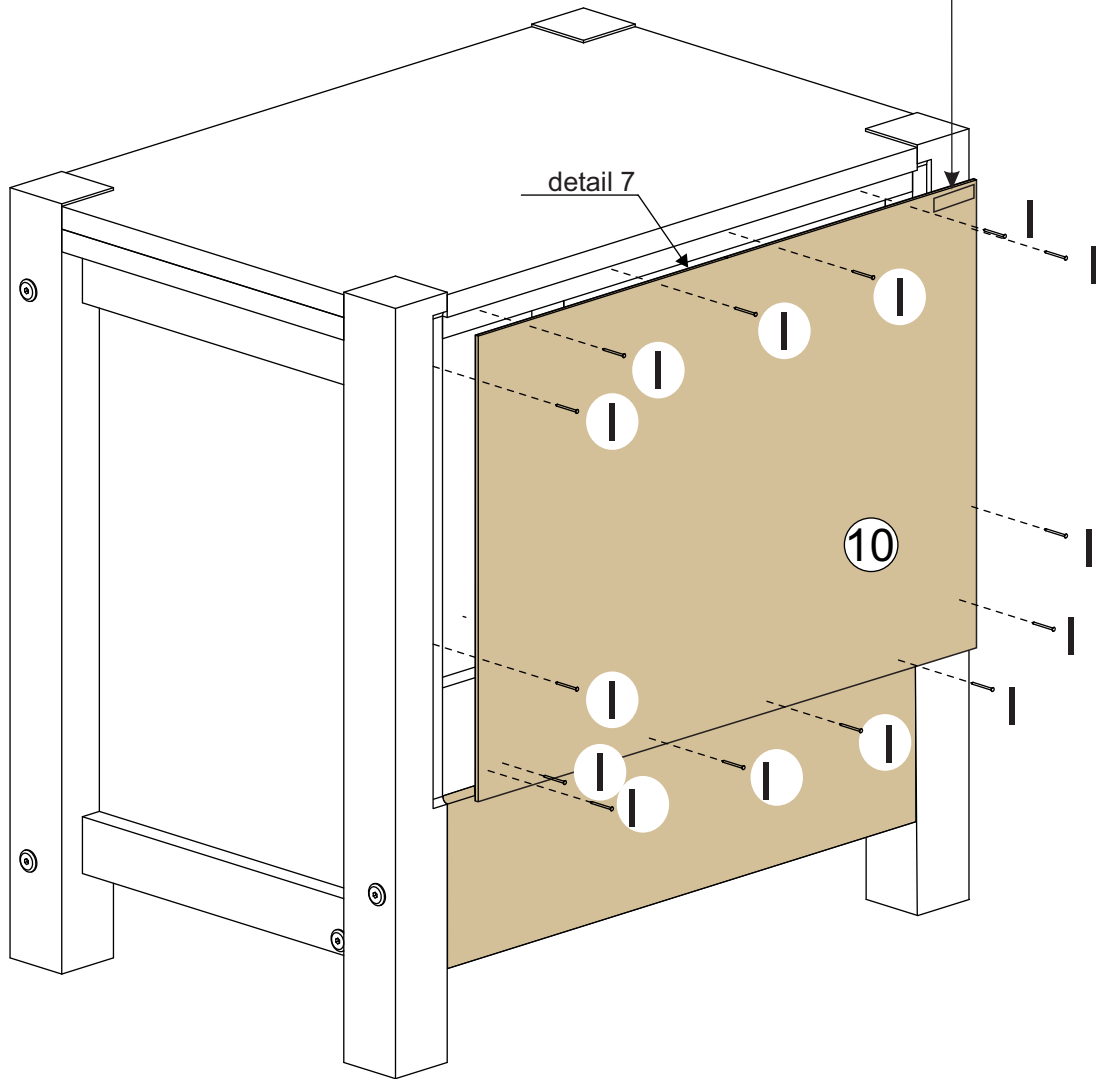


detail 07



detail 07

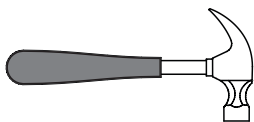
* For your future reference
Order Number should be here



Please assemble on
a clean soft surface
to avoid damage.

STEP 8

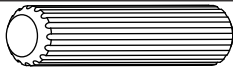

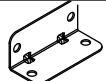

TOOLS REQUIRED



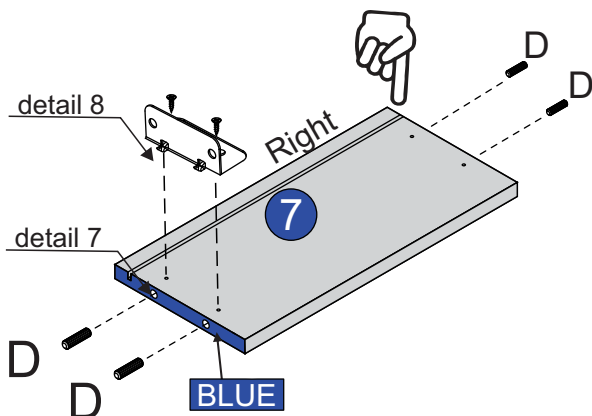
PARTS REQUIRED

7 - side panel (BLUE) x2 (x4)

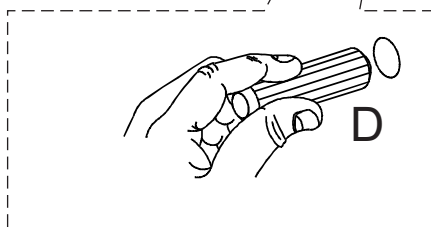
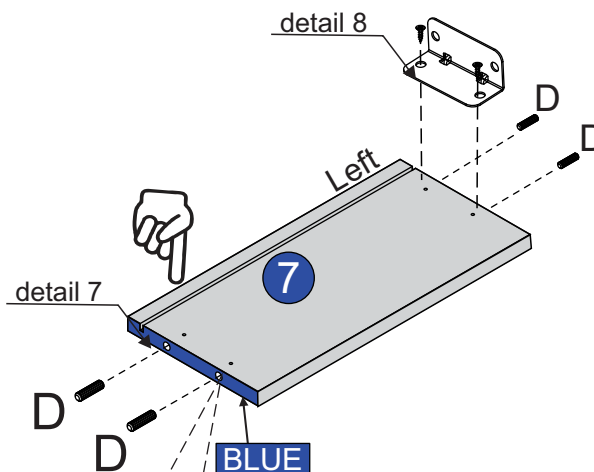
HARDWARE REQUIRED

D	 Ø8 x 30mm	16
B		01
C	 Metal bracket	04
K	 Ø3,5 x 14mm	08

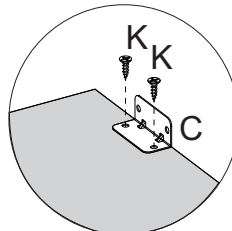
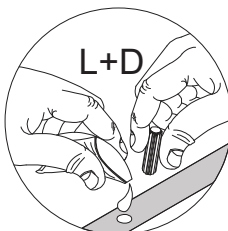
(x2)



(x2)

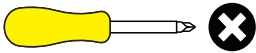


Please assemble on a clean soft surface to avoid damage.



STEP9

TOOLS REQUIRED



PARTS REQUIRED

6 - Drawer back panel (**BLACK**) x2

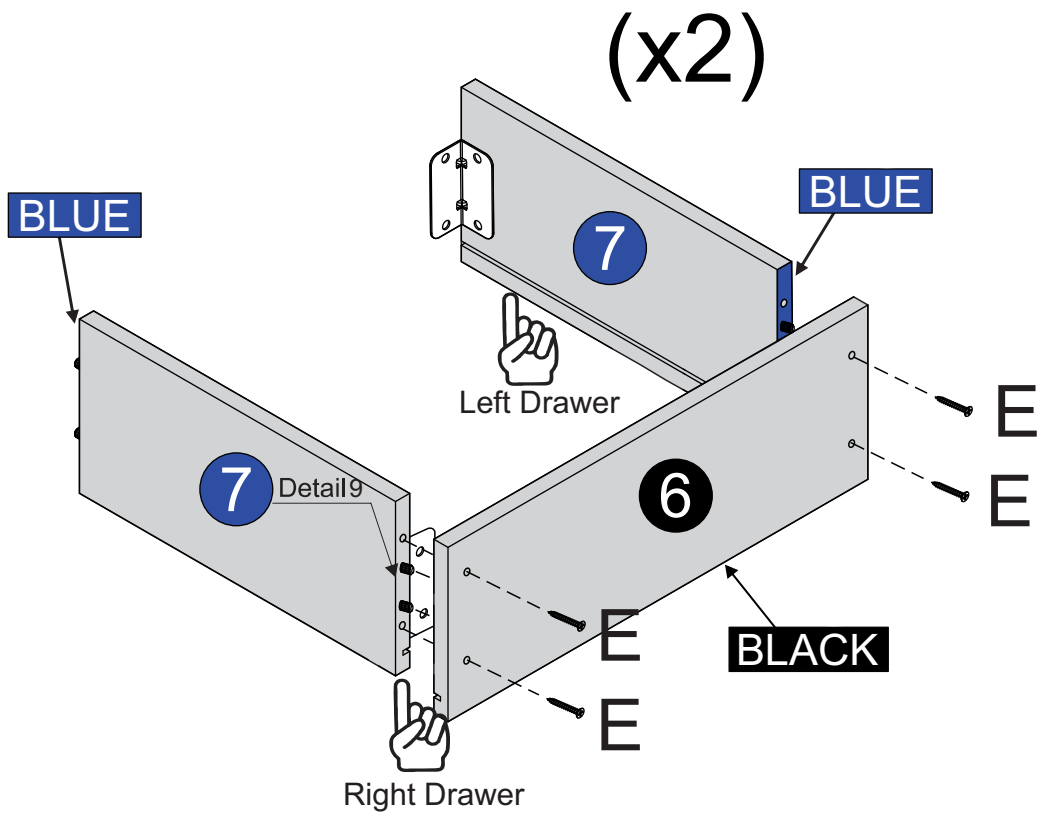
7 - Side panel (**BLUE**) x2

HARDWARE REQUIRED

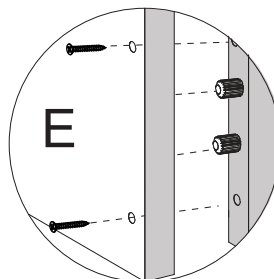
E



08



Please assemble on a clean soft surface to avoid damage.

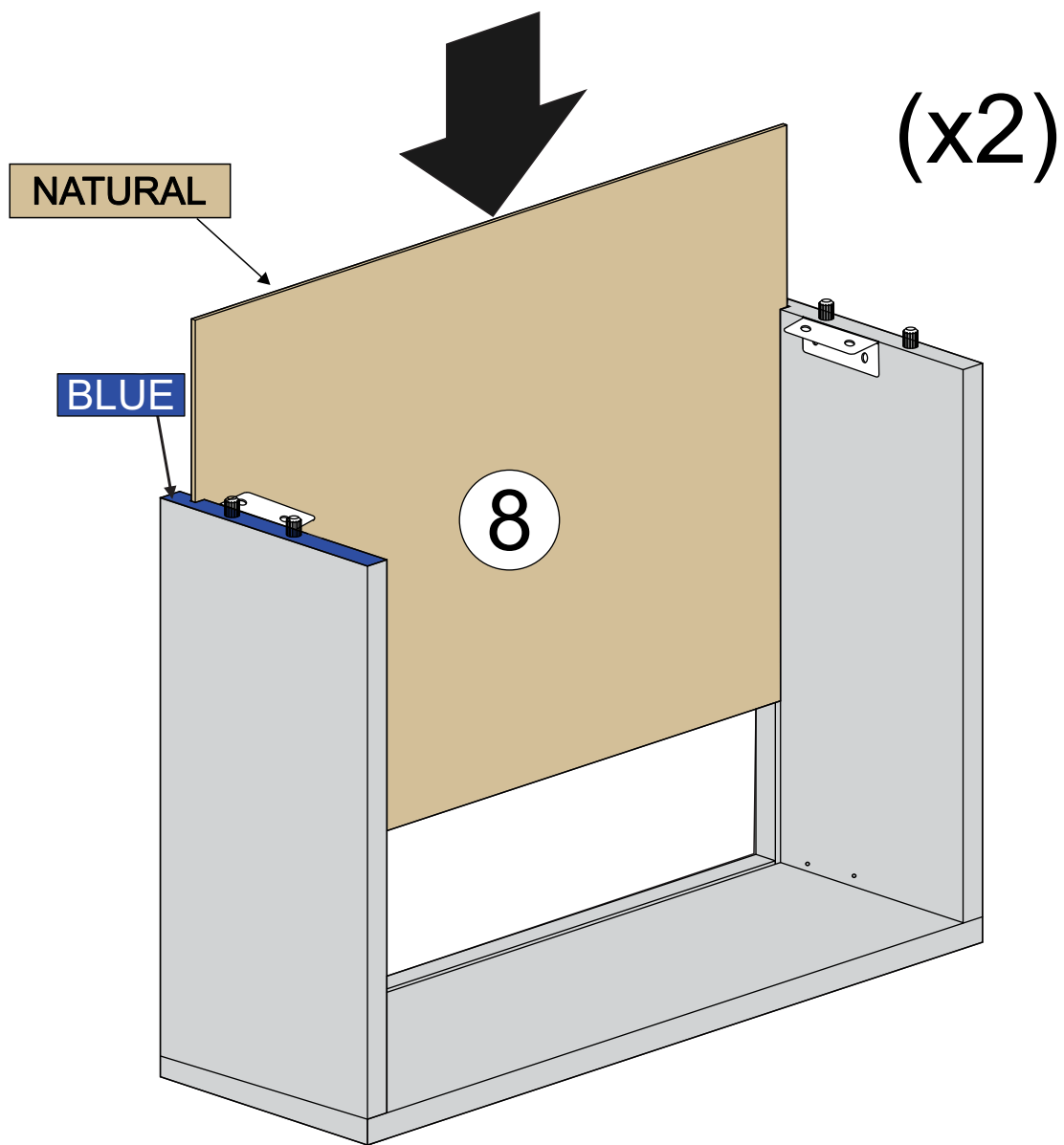
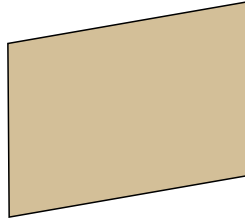


Detail9

STEP10

PARTS REQUIRED

8 - Drawer bottom panel (NATURAL) x2

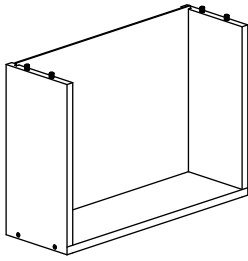


Please assemble on a clean soft surface to avoid damage.

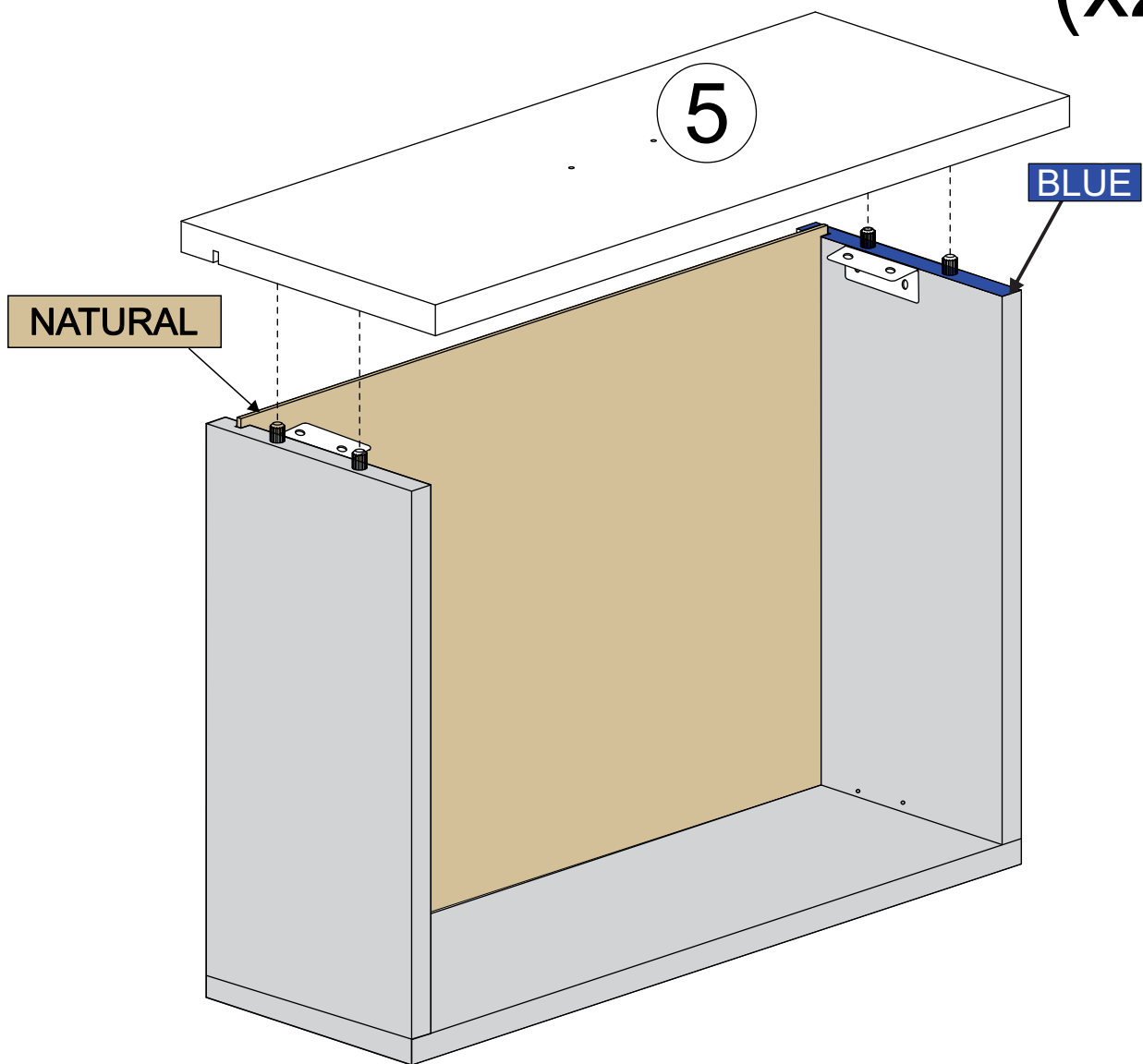
STEP 11

PARTS REQUIRED

5 - Drawer front x2



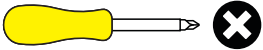
(x2)



Please assemble on a clean soft surface to avoid damage.

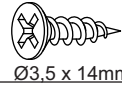
STEP 12

TOOLS REQUIRED

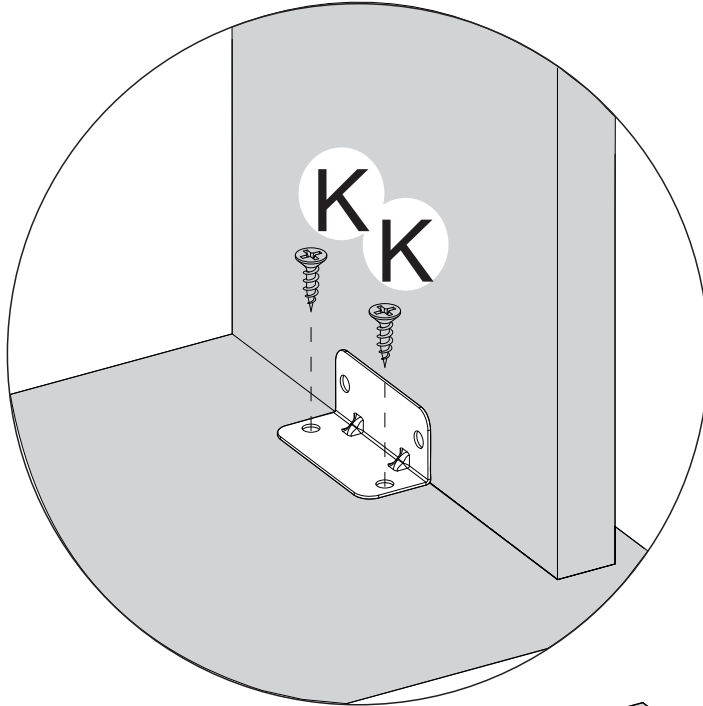


HARDWARE REQUIRED

K

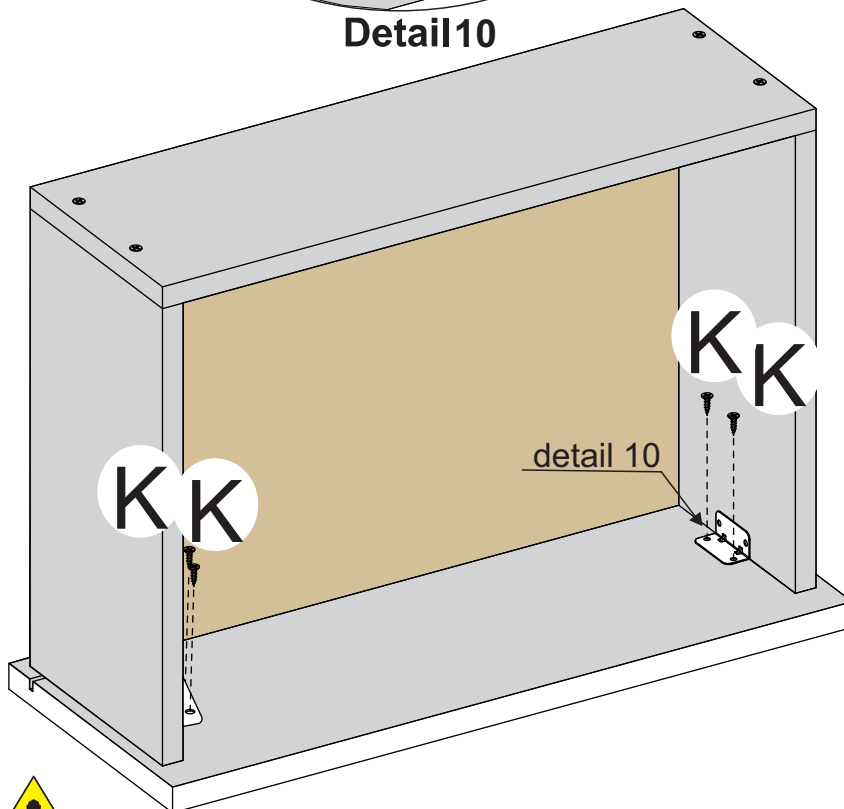


08



Detail 10

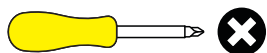
(x2)





Please assemble on a clean soft surface to avoid damage.

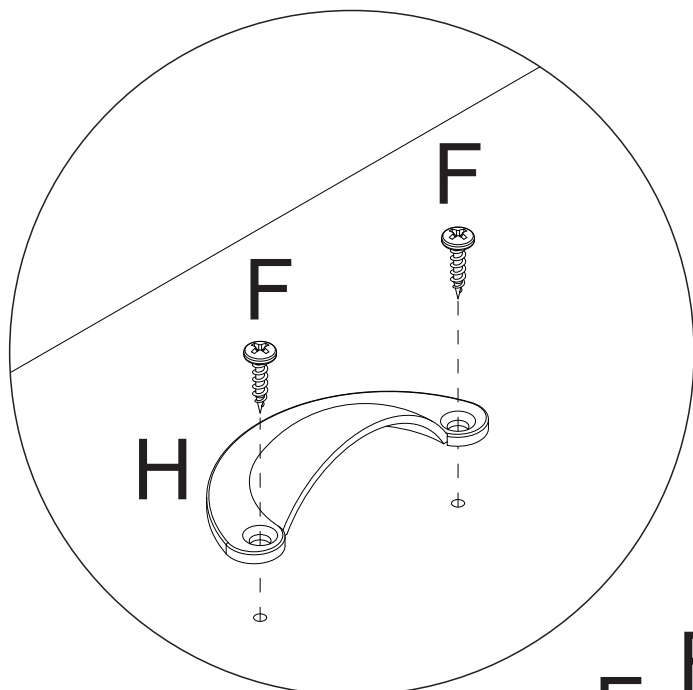
STEP 13

TOOLS REQUIRED



HARDWARE REQUIRED

F	 Ø3,5 x 16mm	04
H	 Cup handle	02

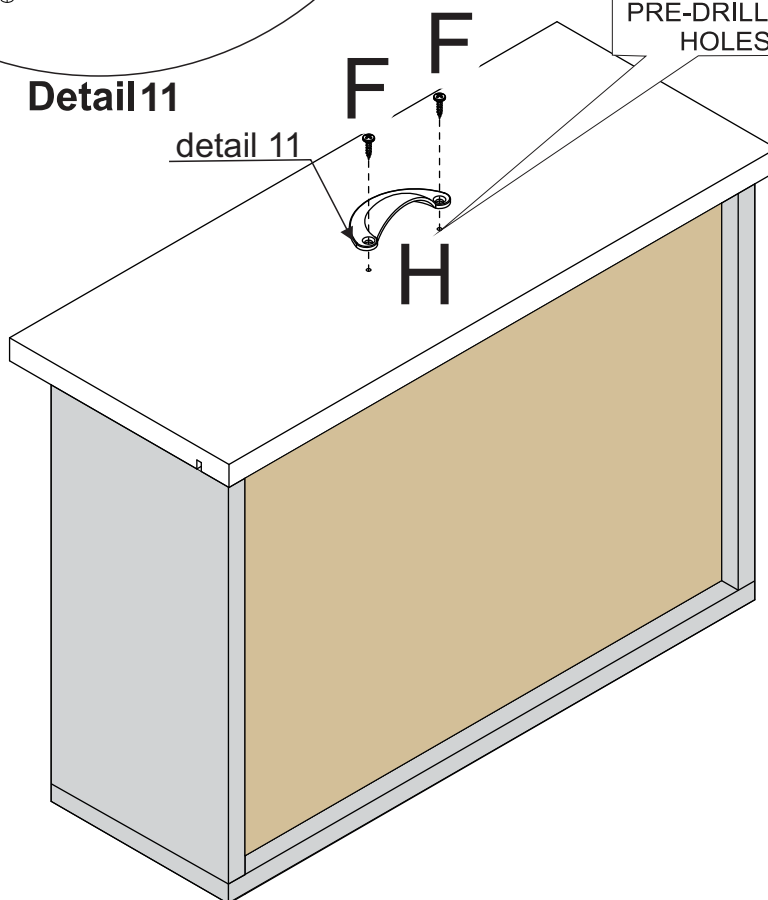


(x2)

Detail 11

detail 11

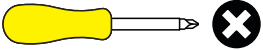
PLEASE NOTE
PRE-DRILLED
HOLES.



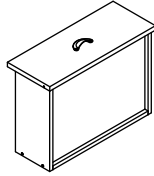
Please assemble on
a clean soft surface
to avoid damage.

STEP 14

TOOLS REQUIRED

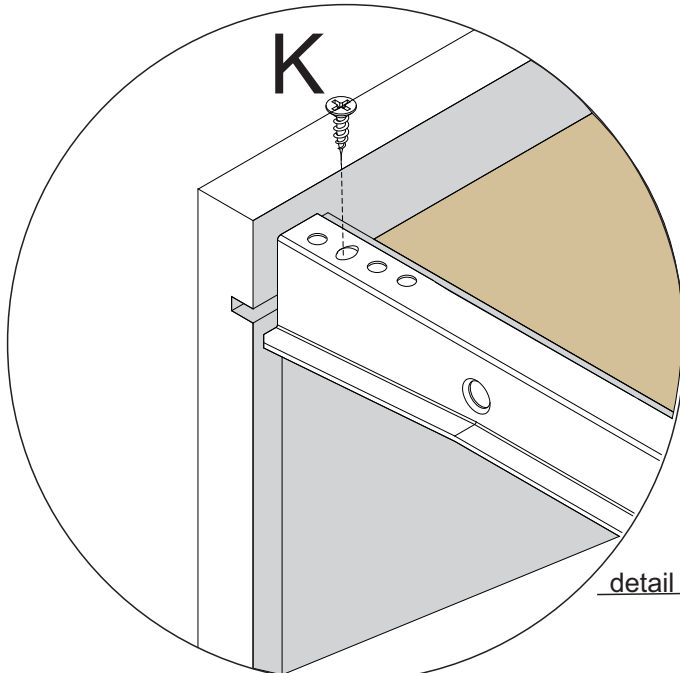


PARTS REQUIRED



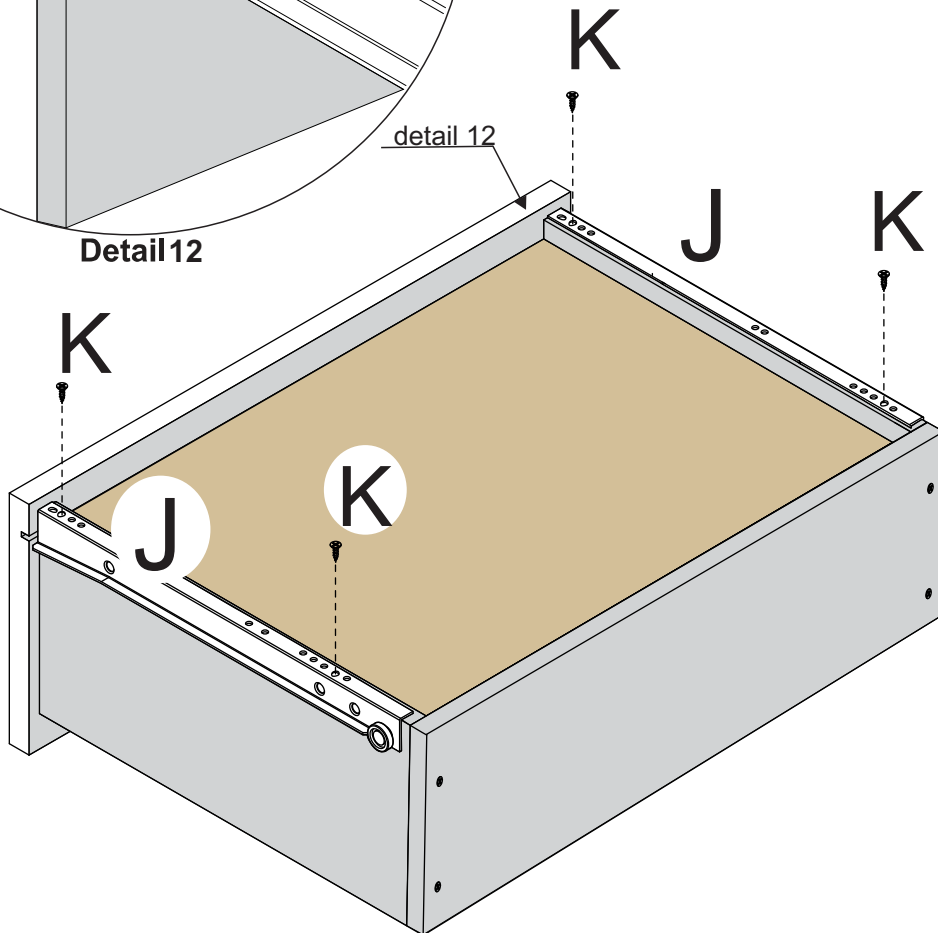
HARDWARE REQUIRED

J		02
K	 Ø3,5 x 14mm	08

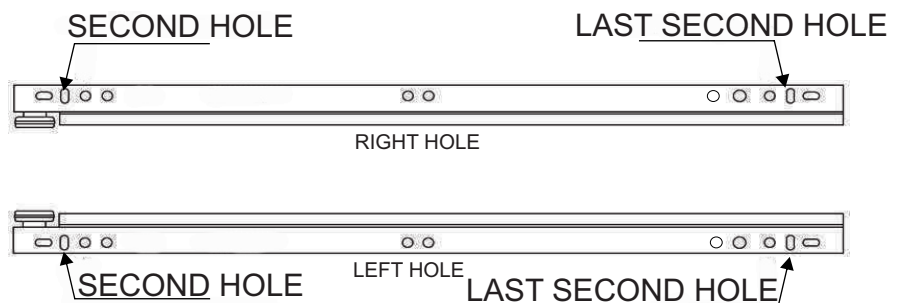


Detail 12

(x2)

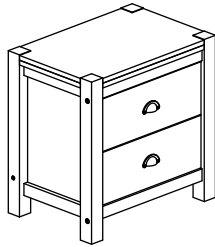


Please assemble on a clean soft surface to avoid damage.




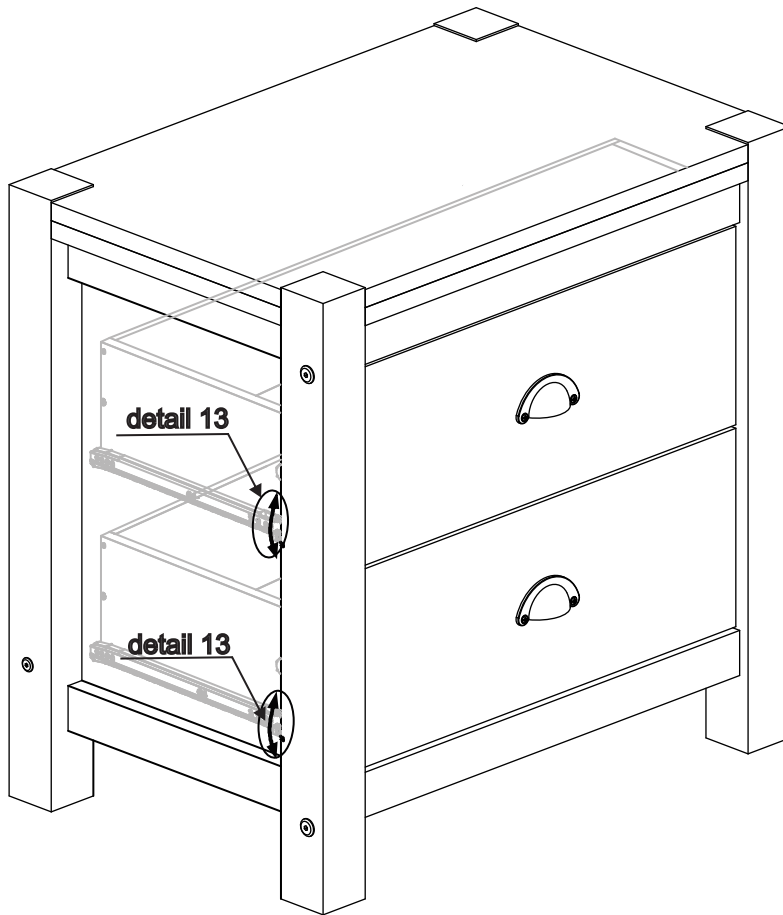
STEP 15

PARTS REQUIRED

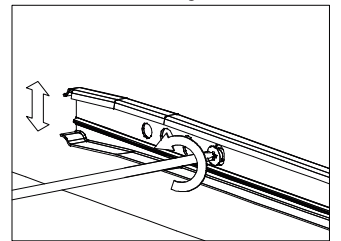


HARDWARE REQUIRED

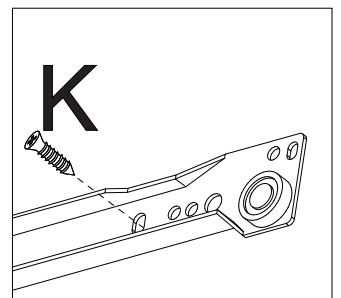
K	 Ø3,5 x 14mm	08
---	----------------------------------------------------------------------------------------------------	----



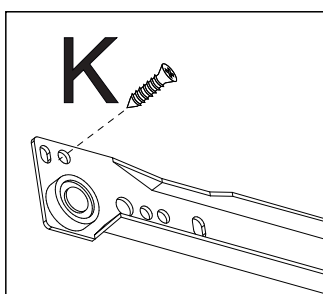
Drawer Adjustment



Drawer Adjustment Right Side

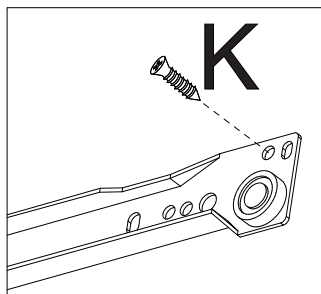


Drawer Lock Left Side



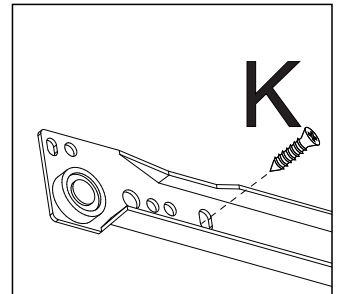
Detail 13

Drawer Lock Right Side



Detail 13

Drawer Adjustment Left Side



STEP 16

PARTS REQUIRED

