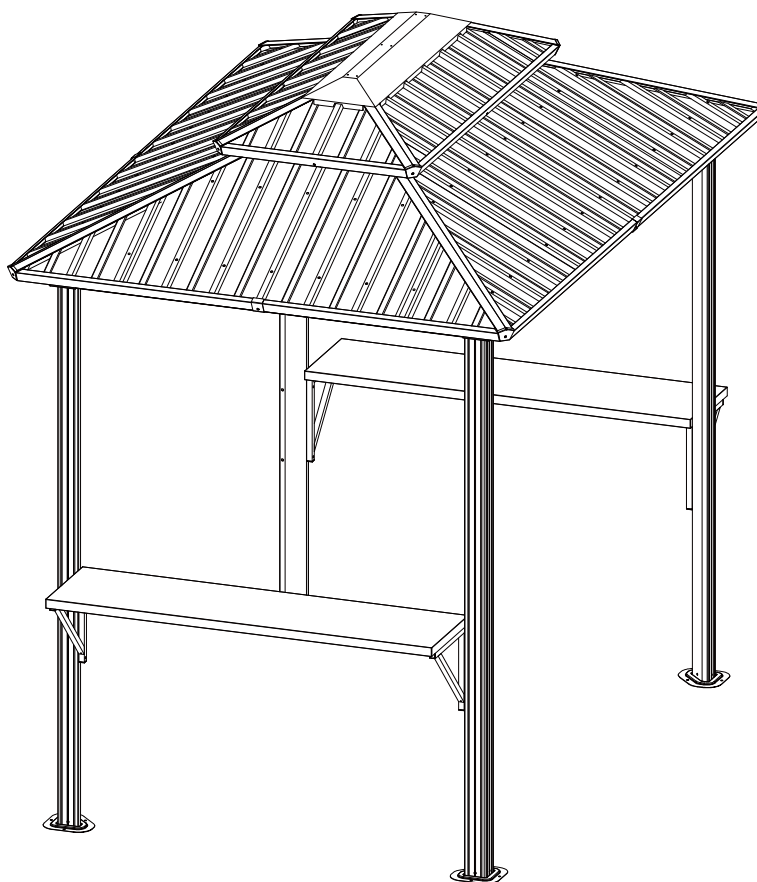


8' x 6' Metal Grill Gazebo

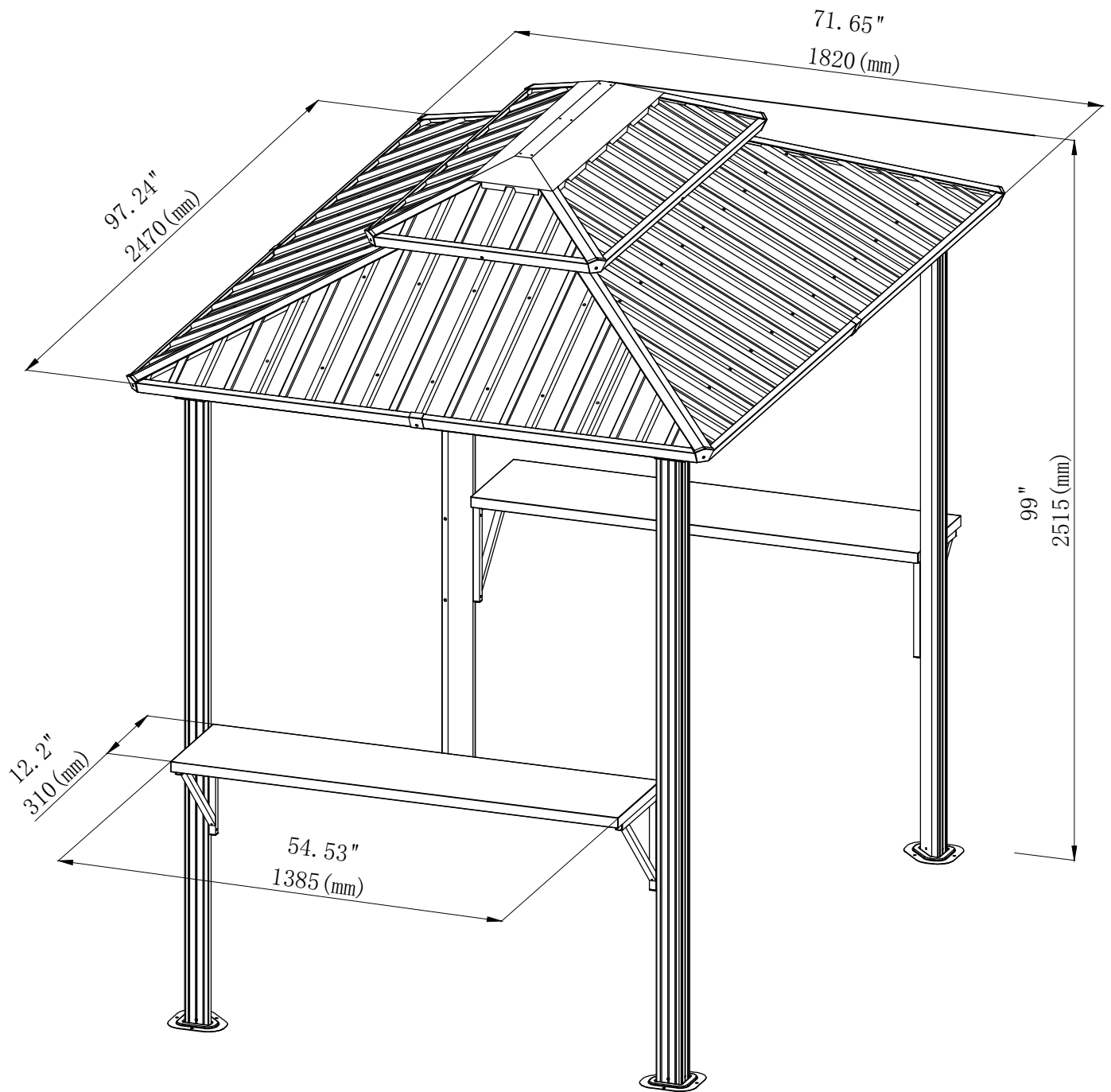
ASSEMBLY MANUAL



MODEL#:LGMD1608

Missing part? Damaged? Contact us via email at
service@domioutdoorliving.com

www.domioutdoorliving.com



Pre-assembly



1. Two or more people are required for assembly.



2. You will need one or more stepladders.



3. Wearing protective gloves is recommended.



4. You may need a safety hat.



5. Please use a Phillips screw driver.



6. For ease of construction, you may need a drill.



7. You may need a safety goggle.



8. Do not fully tighten screws prior to complete assembly.

Warning & Attention

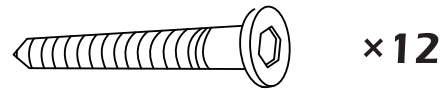
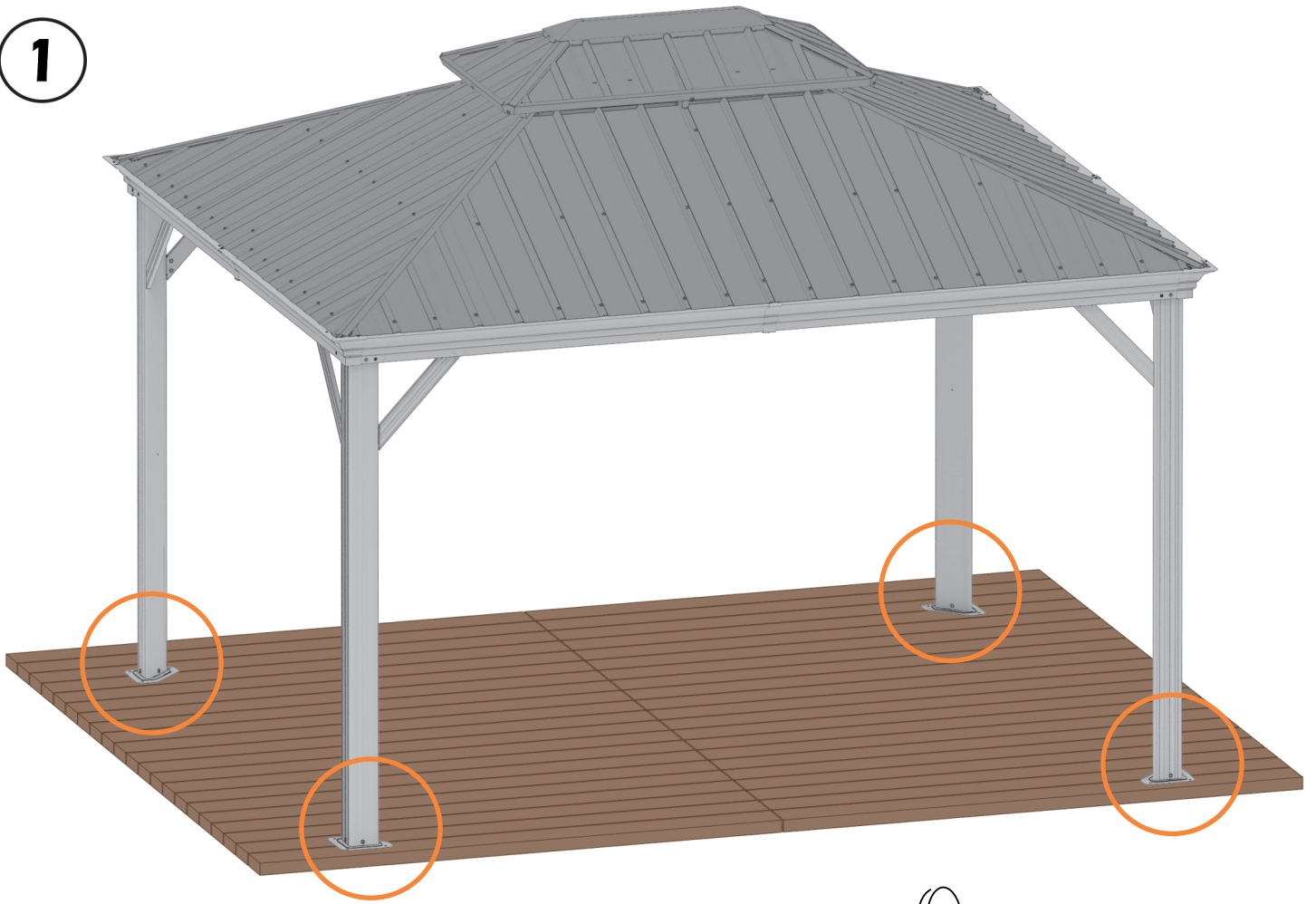
-Try to assemble this product on the flat ground, otherwise it is difficult to carry out;

-It would be much easier to assemble the product with three or more people;

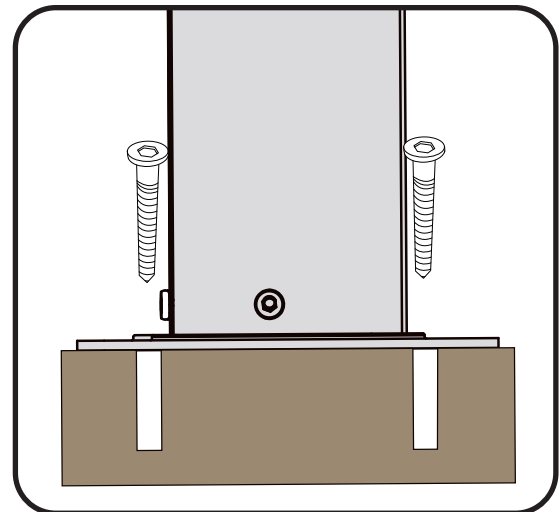
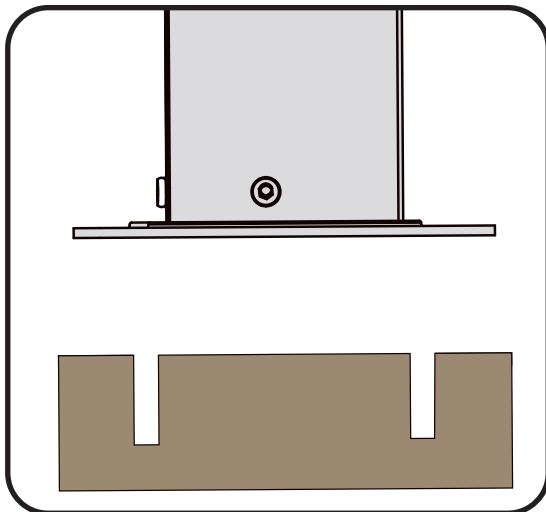
-After assembly, please check whether all screws are tightened, to prevent parts from falling apart.

▲ Use bolts to secure the frame to the ground to against the strong wind.

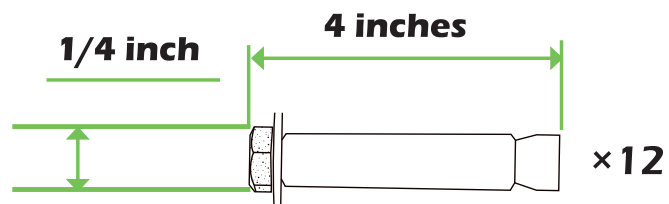
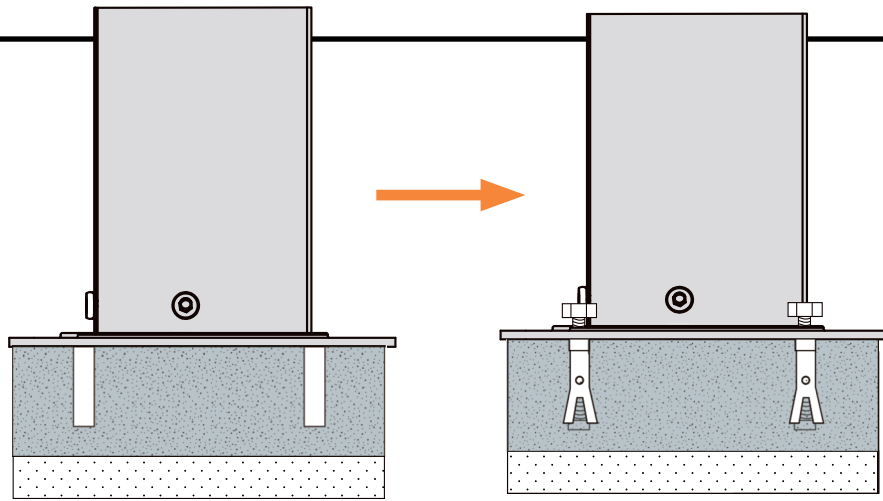
1



If the deck is hard wood and the depth of it is over 3 inch, you can use **5/16 in. ×4 in. Structural Wood Screw** to mount the gazebo.

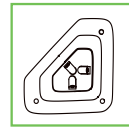
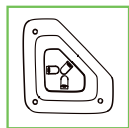
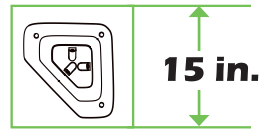
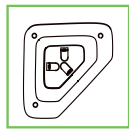


2



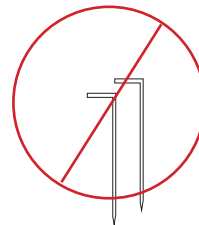
If the ground is concreted and the depth of it is over 3 inch, you can use 1/4 inch expansion bolts to mount the gazebo






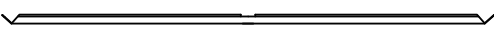






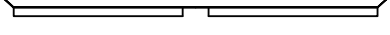

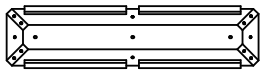
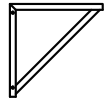

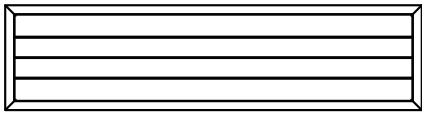
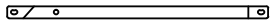

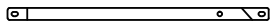
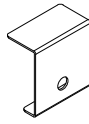

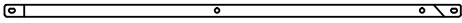


3

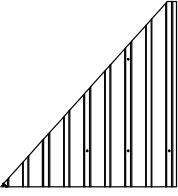
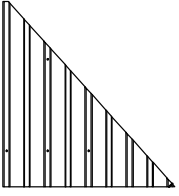
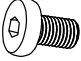
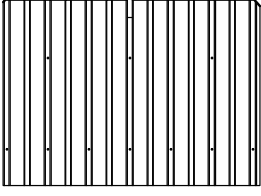
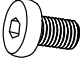
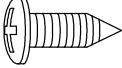
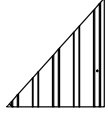
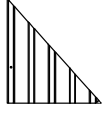
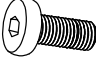
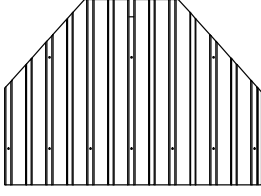
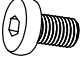
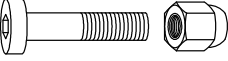


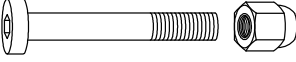
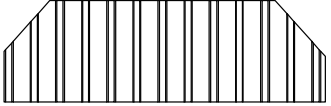
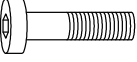
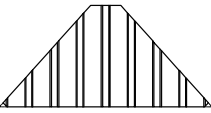
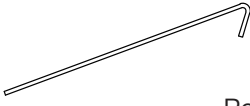
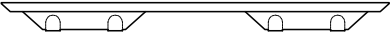

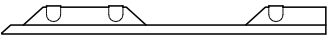
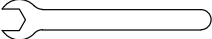
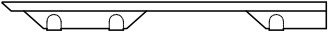
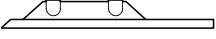
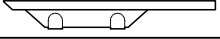


Or you can make a concrete footing for gazebo, **15×15×15 inches** is recommended. use expansion bolts to mount the pergola like (2) shows.

IMPORTANT:
Anchor is not recommended



A	 Post	2	M	 Finishing Bar	2
A1	 Post	2	M1	 Finishing Bar	2
B	 Beam	2	N	 Selftapping screw	2
C	 Beam	2	P	 Finishing Bar	2
D	 4  Base Corner Cover	4	Q	 Solidfying Bar	2
F	 Corner Roof Tube	4	R	 Solidfying Bar	2
G	 Middle Roof Tube	4			
H	 Inside Roof Cover	1	S	 Tabletop Support Frame	4
I	 Outside Roof Cover	1	T	 Tabletop	2
J	 Solidfying Bar	2	U	 Fixing Bracket	12
J1	 Solidfying Bar	2	V	 Fixing Bracket	4
K	 Solidfying Bar	2			
K1	 Solidfying Bar	2			
1			L	 Finishing Bar	2
			L1	 Finishing Bar	2

X		2	X2		2	1#	 M5×10	12	
								Bolt	
X1					2	3#	 M6×16	83	
						4#	 ST4.8×12	16	
								Bolt	
Y		2	Y2		2	5#	 M6×25	4	
								Bolt	
Y1					2	6#	 M6×10	4	
						7#	 M6×28	32	
								Bolt and Nut	
Z		2	Z2		2	8#	 M6×45	16	
								Bolt and Nut	
Z1					2	9#	 M6×28	16	
								Bolt	
AA					2	10#		8	
								Post Anchor	
AB					36	11#		1	
								Wrench	
AB1					2	12#		1	
								Wrench	
AB2					2				
AB3					4				
AB4					4				
2									



A (x2)



D (x2)

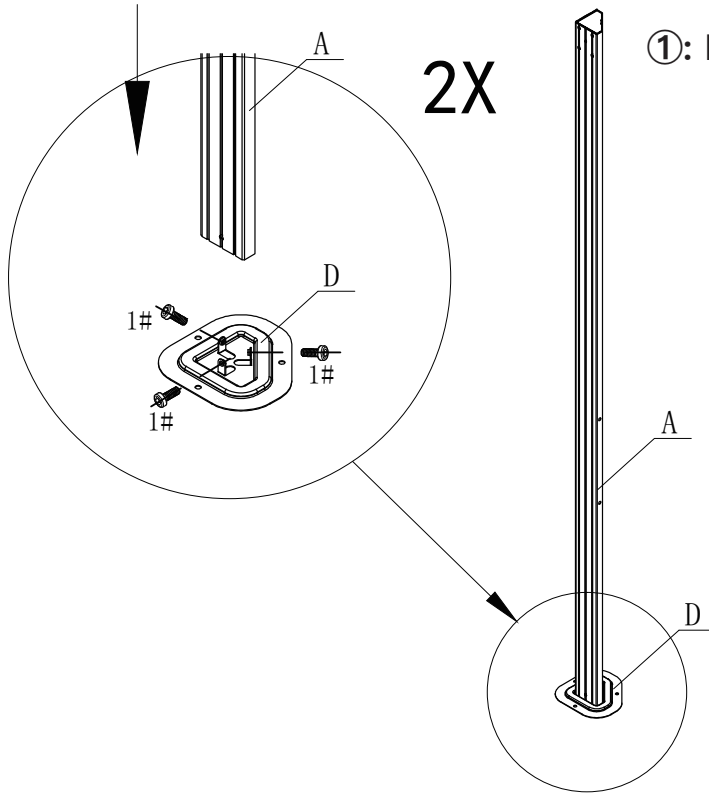


M5x10

1# (x6)



11# (x1)



A1 (x2)

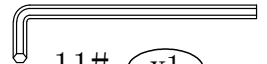


D (x2)

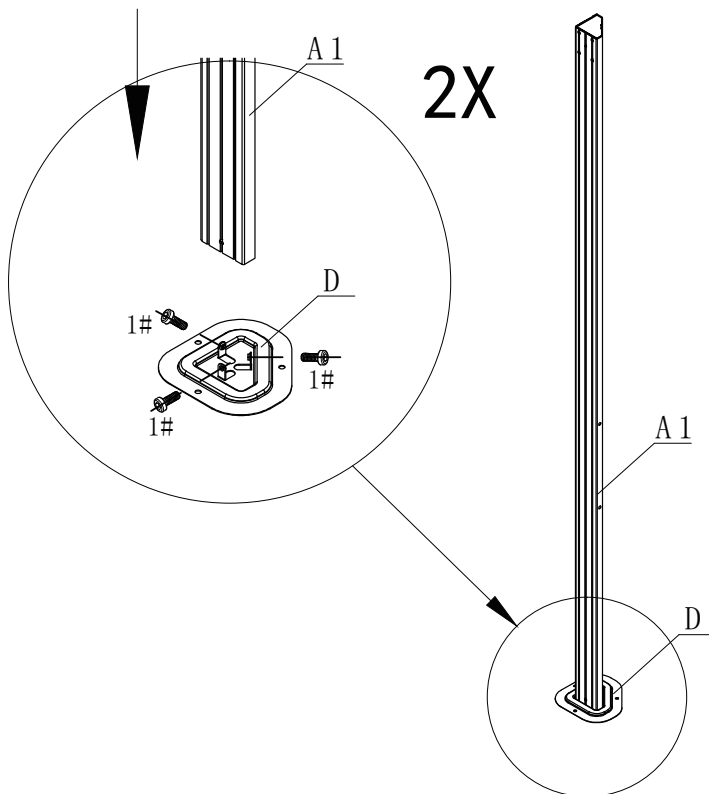


M5x10

1# (x6)



11# (x1)



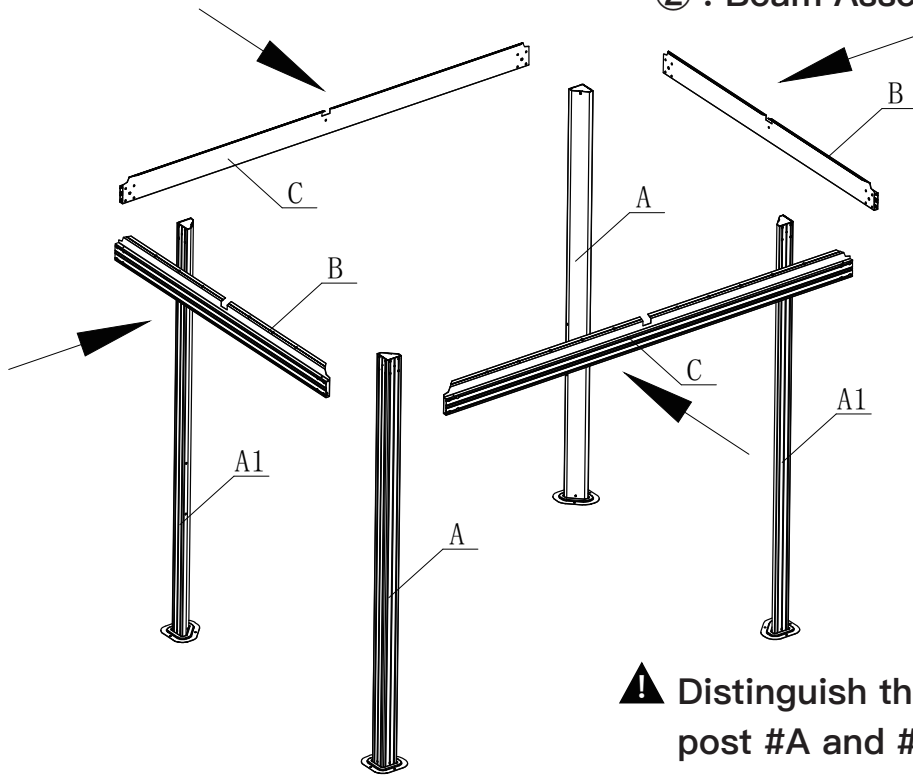


B (x2)



C (x2)

② : Beam Assembly Instruction



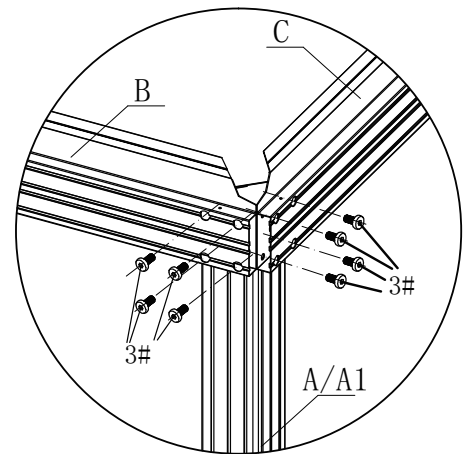
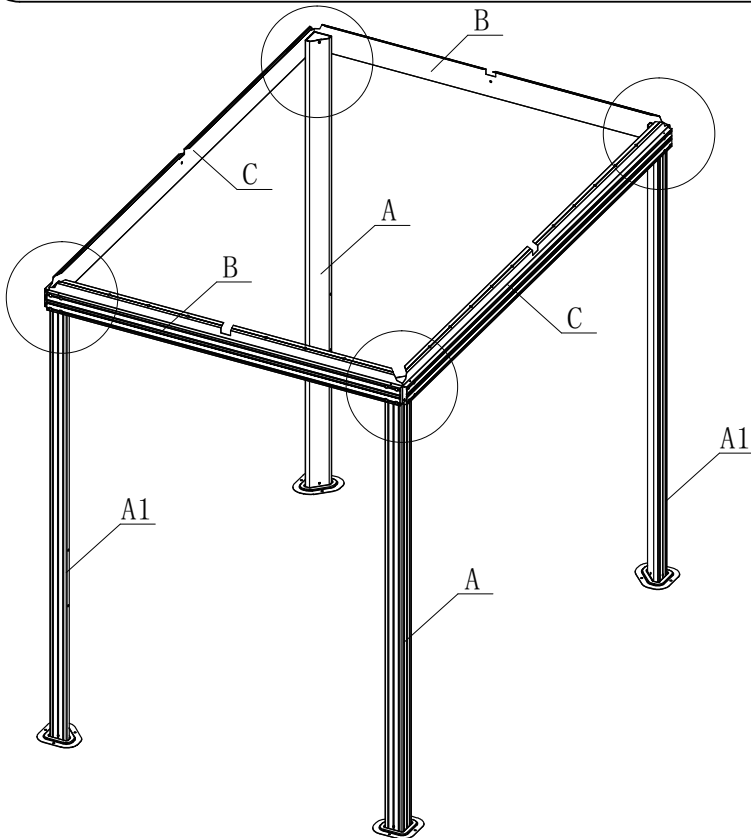
⚠ Distinguish the position of post #A and # A1.



3# (x32)



11# (x1)



4X

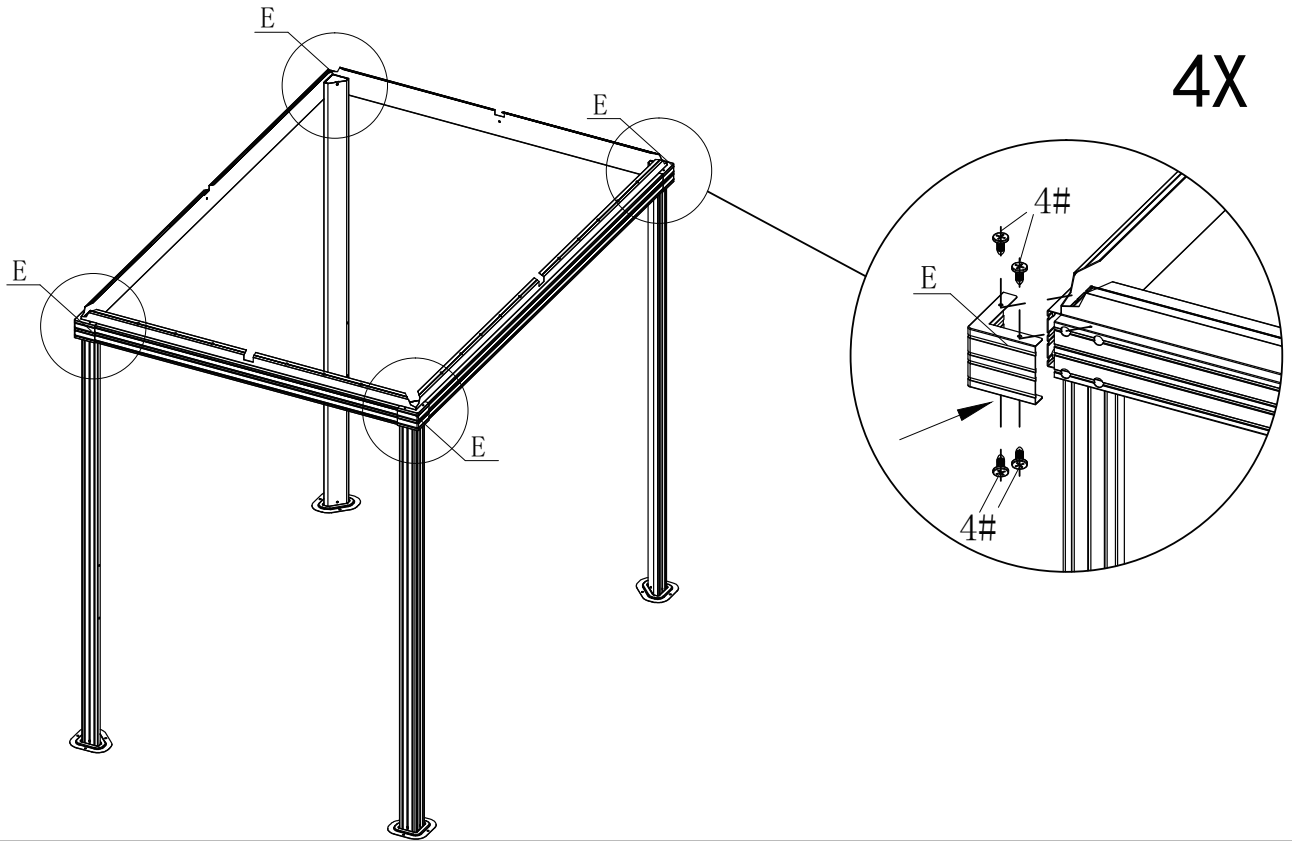


E (x4)

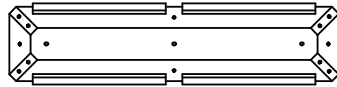


ST4.8x12

4# (x16)

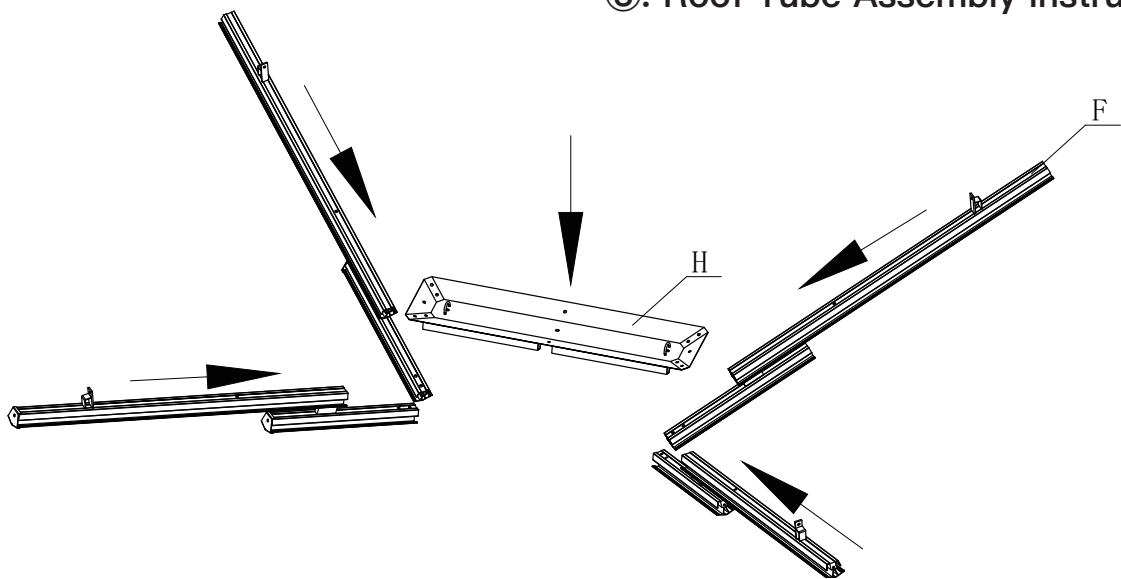


F (x4)



H (x1)

③: Roof Tube Assembly Instruction



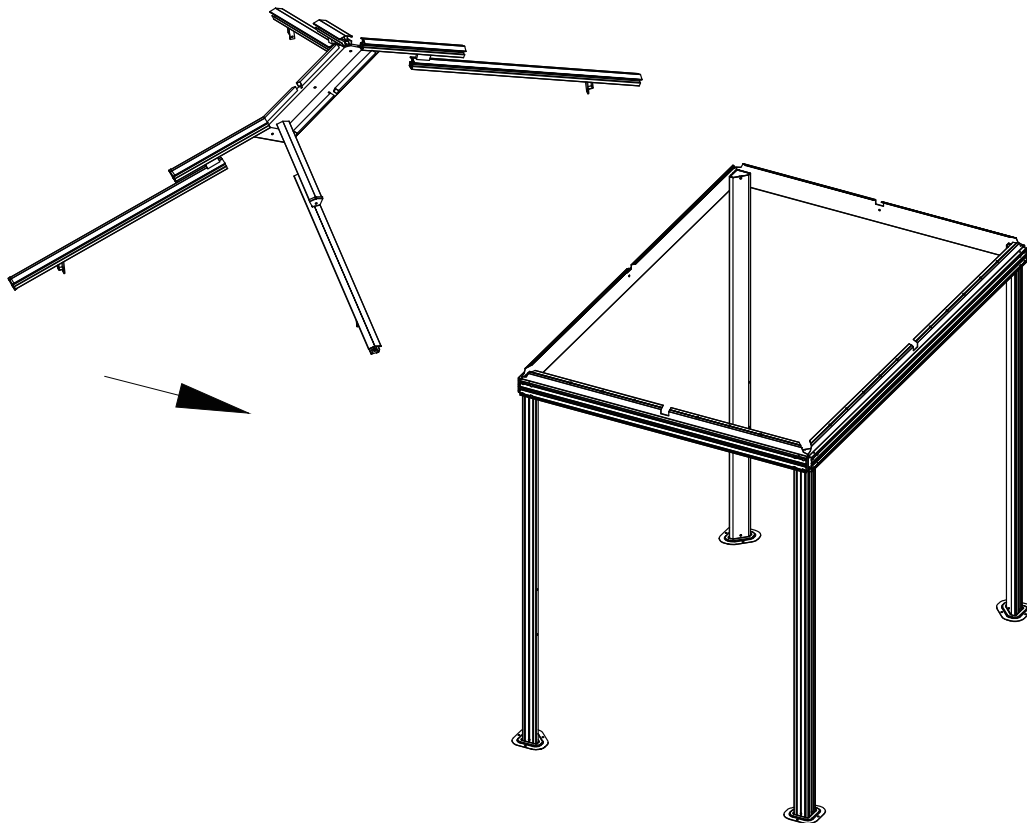
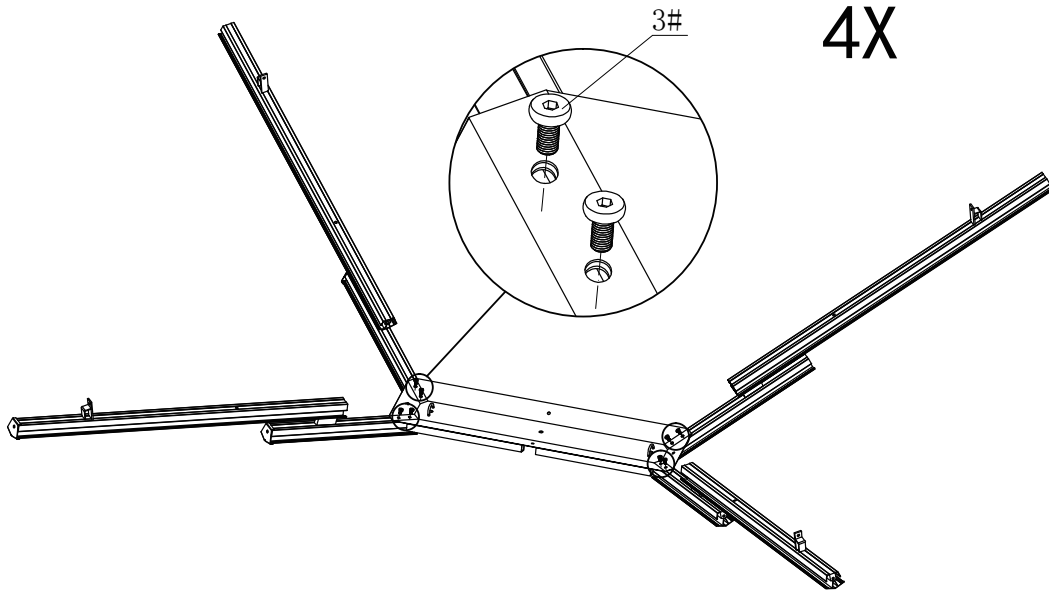


M6x16

3# **x8**



11# **x1**



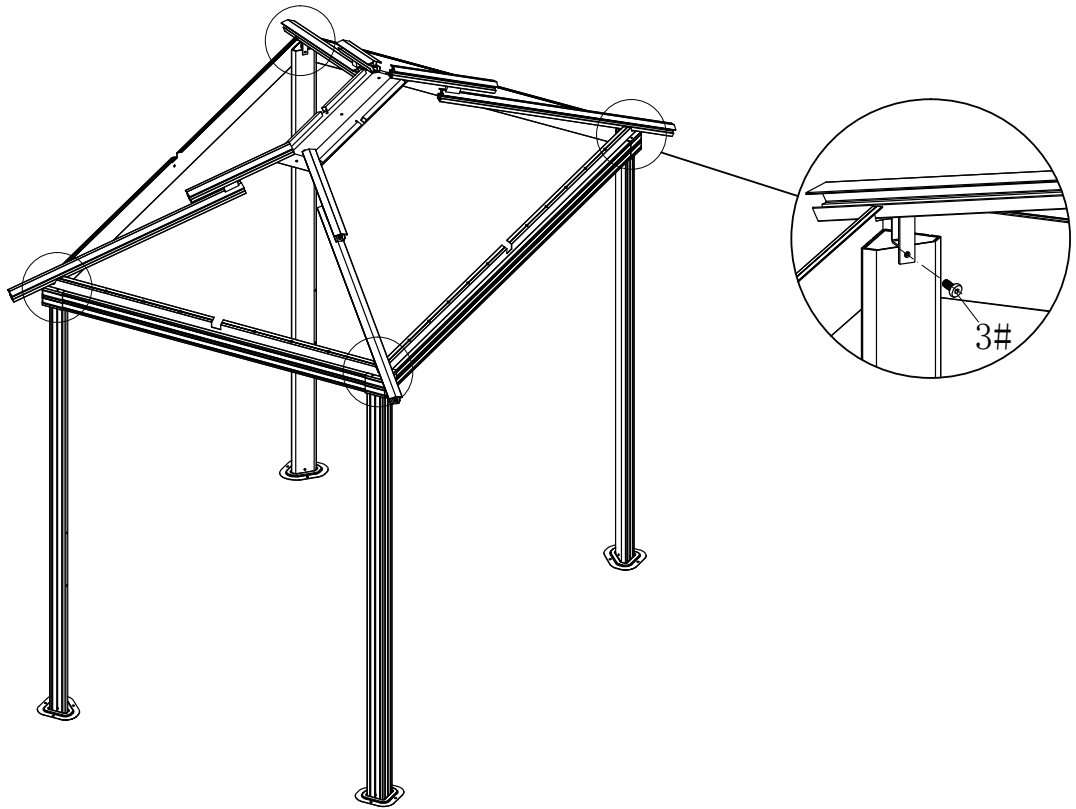


M6x16

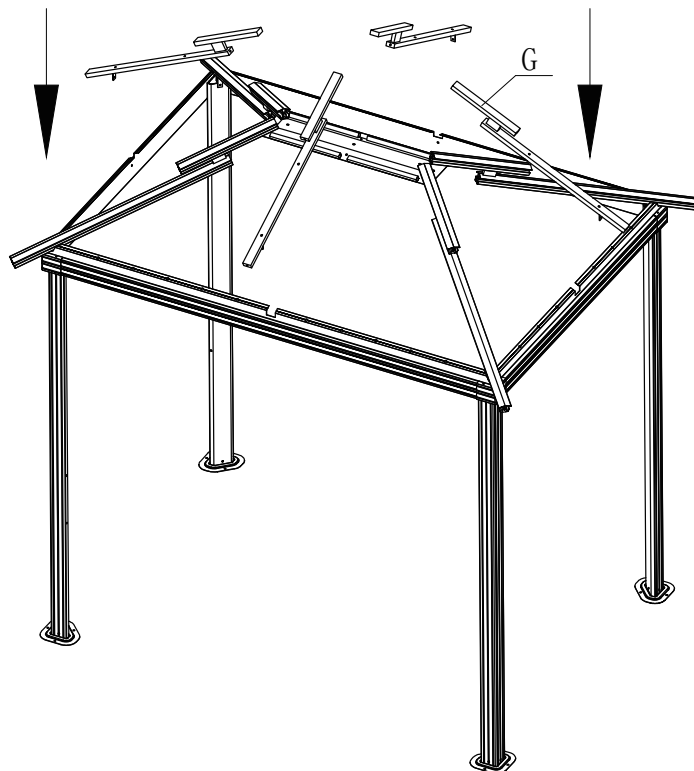
3# (x4)



11# (x1)



G (x4)



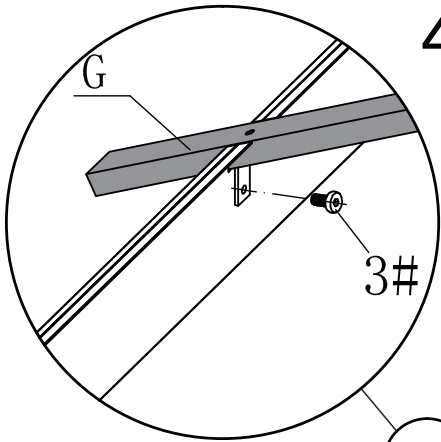


M6x16

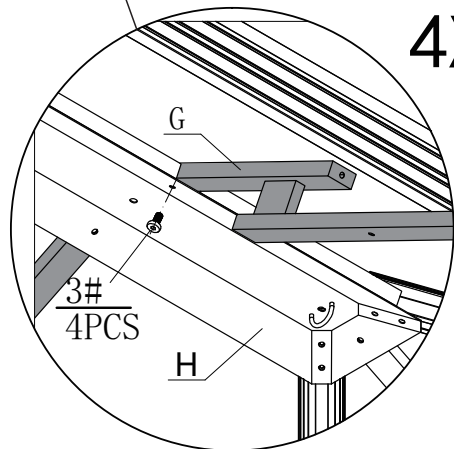
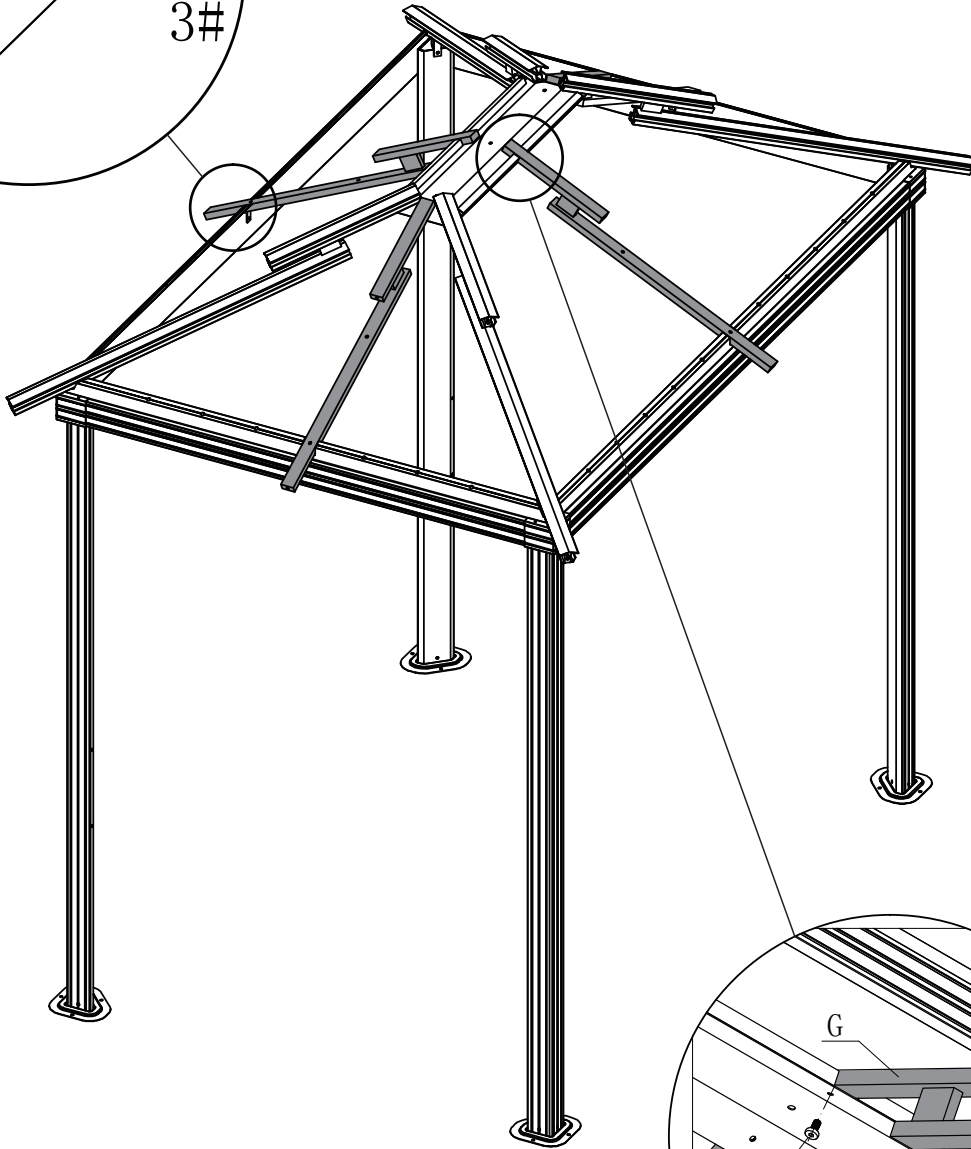
3# (x8)



11# (x1)

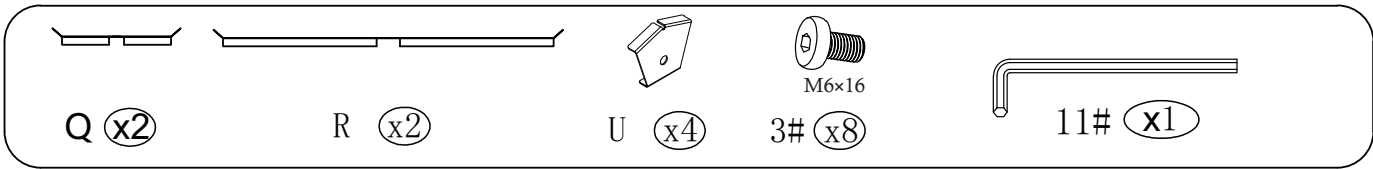


4X



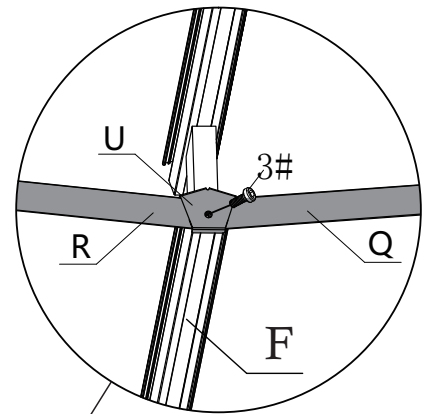
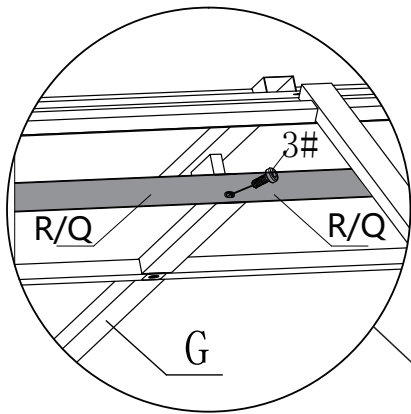
4X

(From bottom to top)

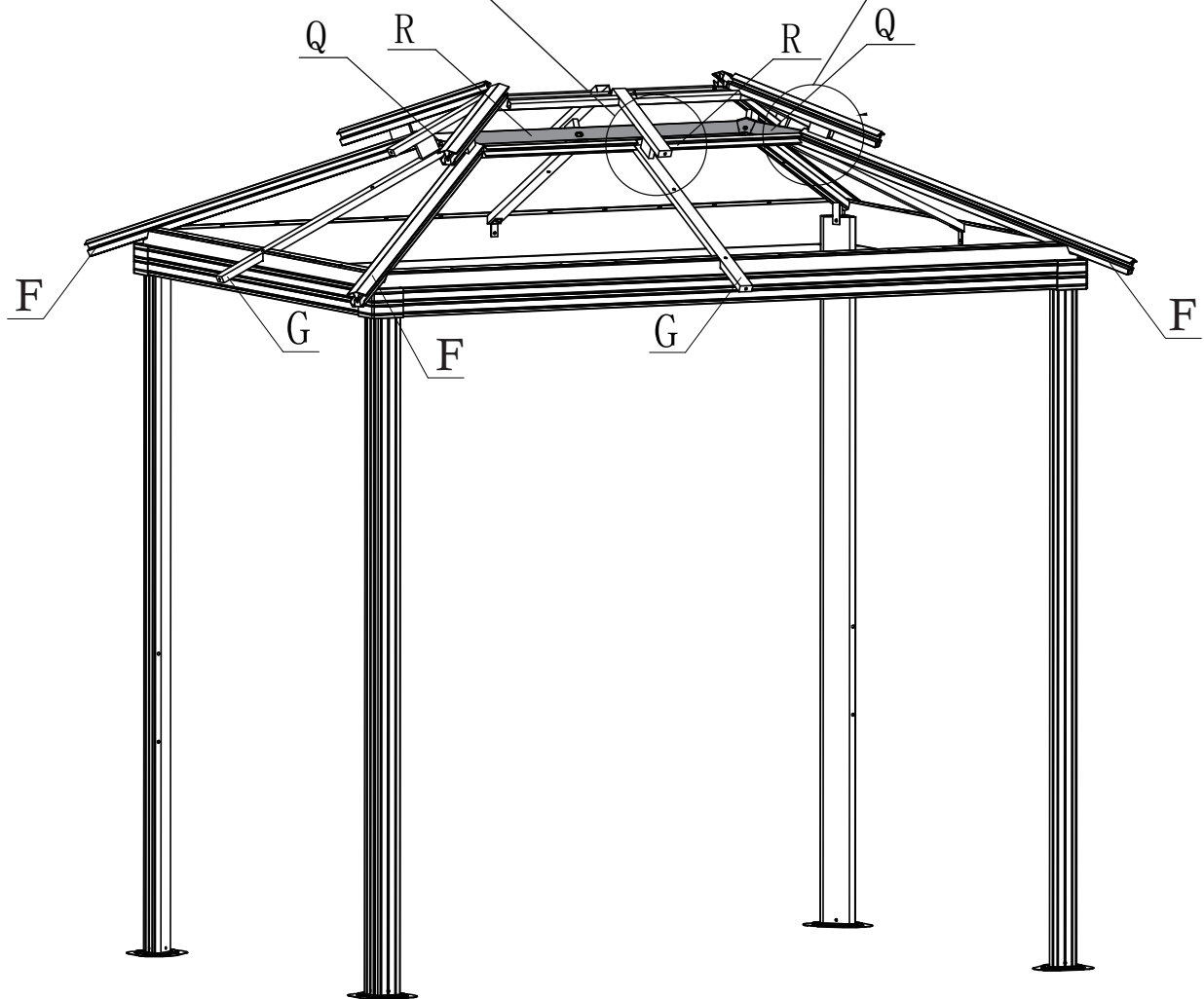


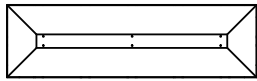
①: Use 4 bolts #3 to install part #Q or #R to the middle roof tube #G.

②: Use 4 bolts #3 to install part #Q and #R to corner roof tube #F.



Inside View





I (x1)

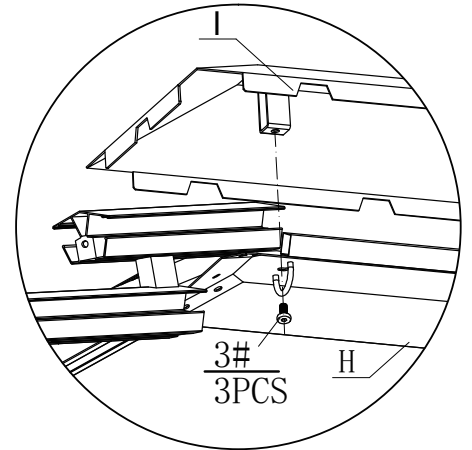
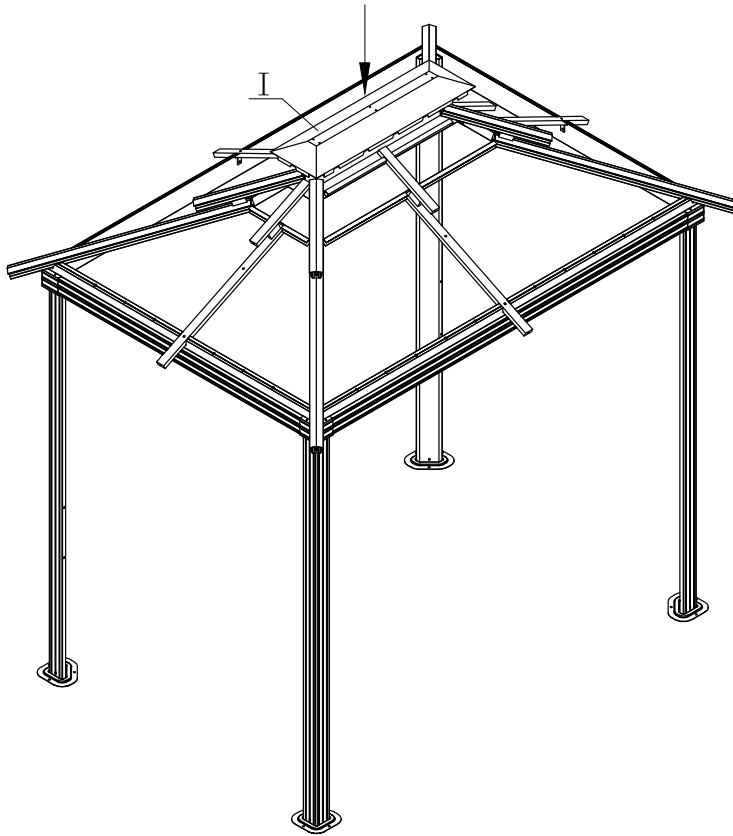


M6x16

3# (x3)

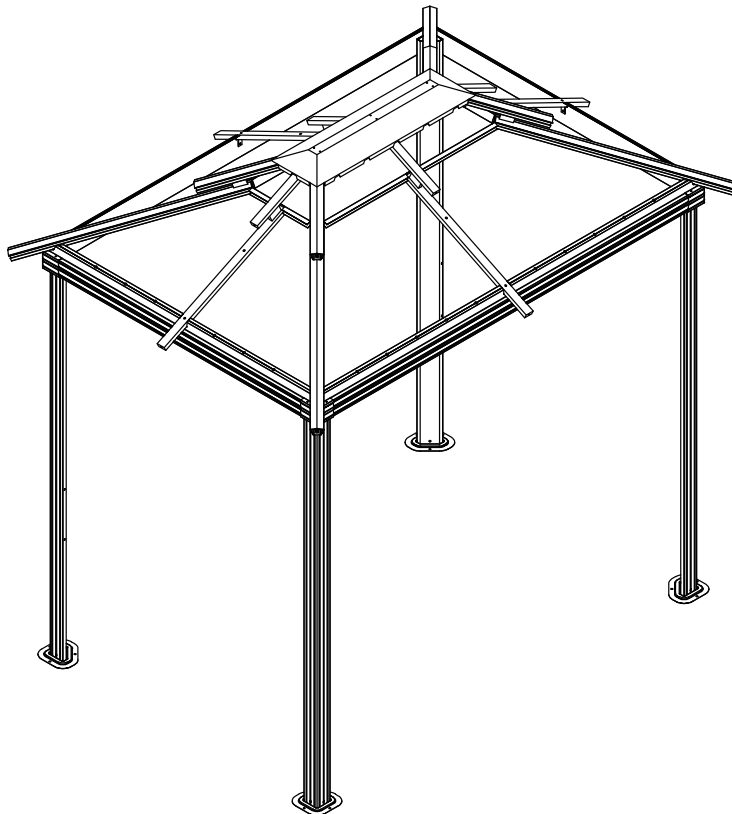


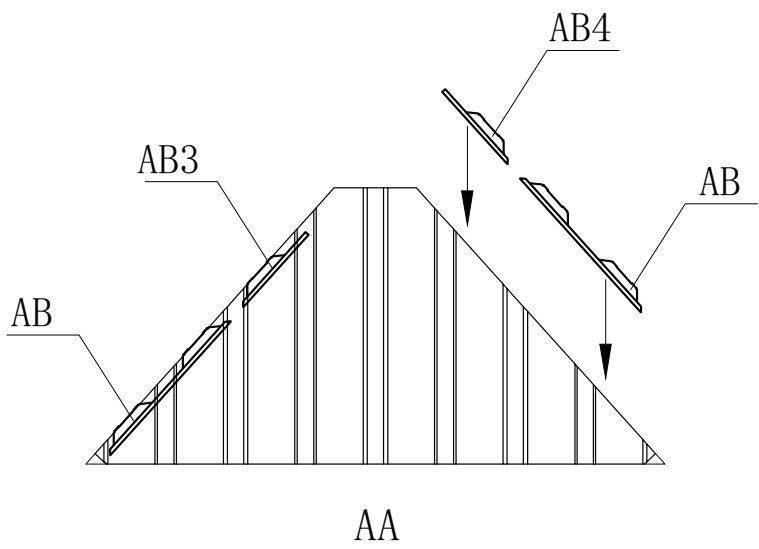
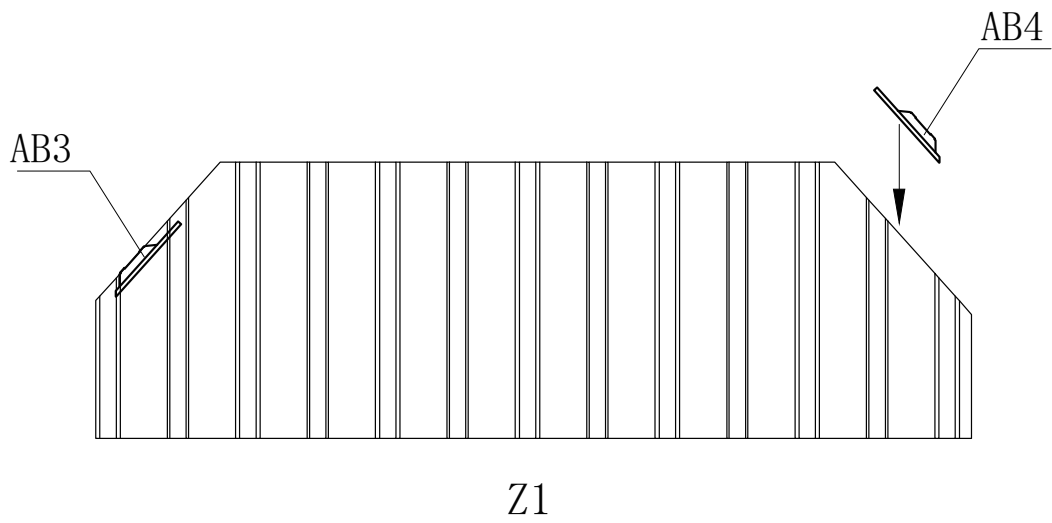
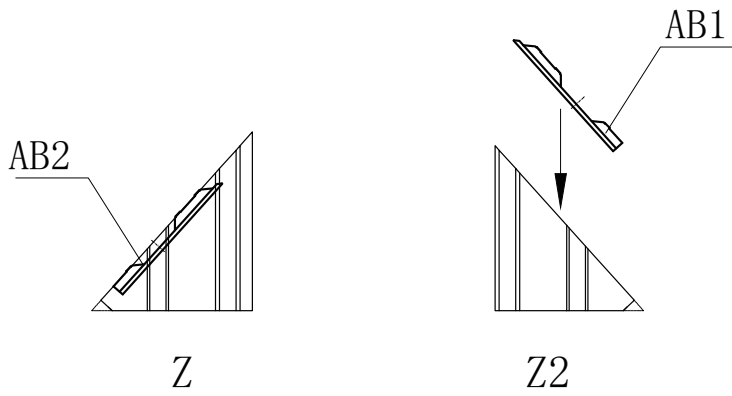
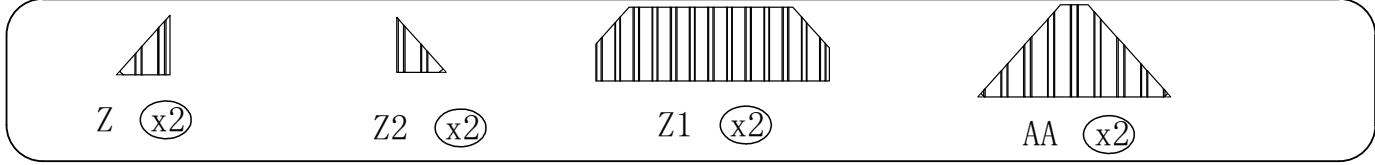
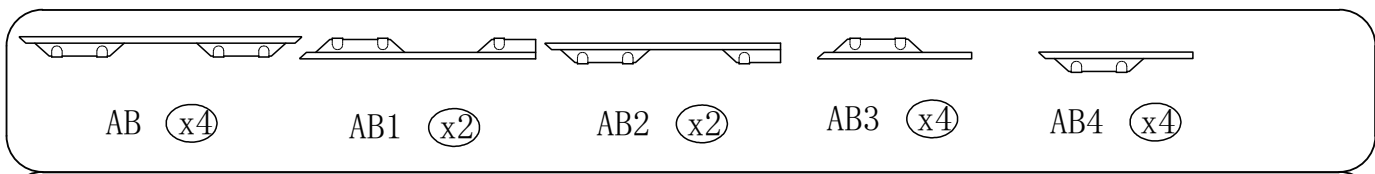
11# (x1)

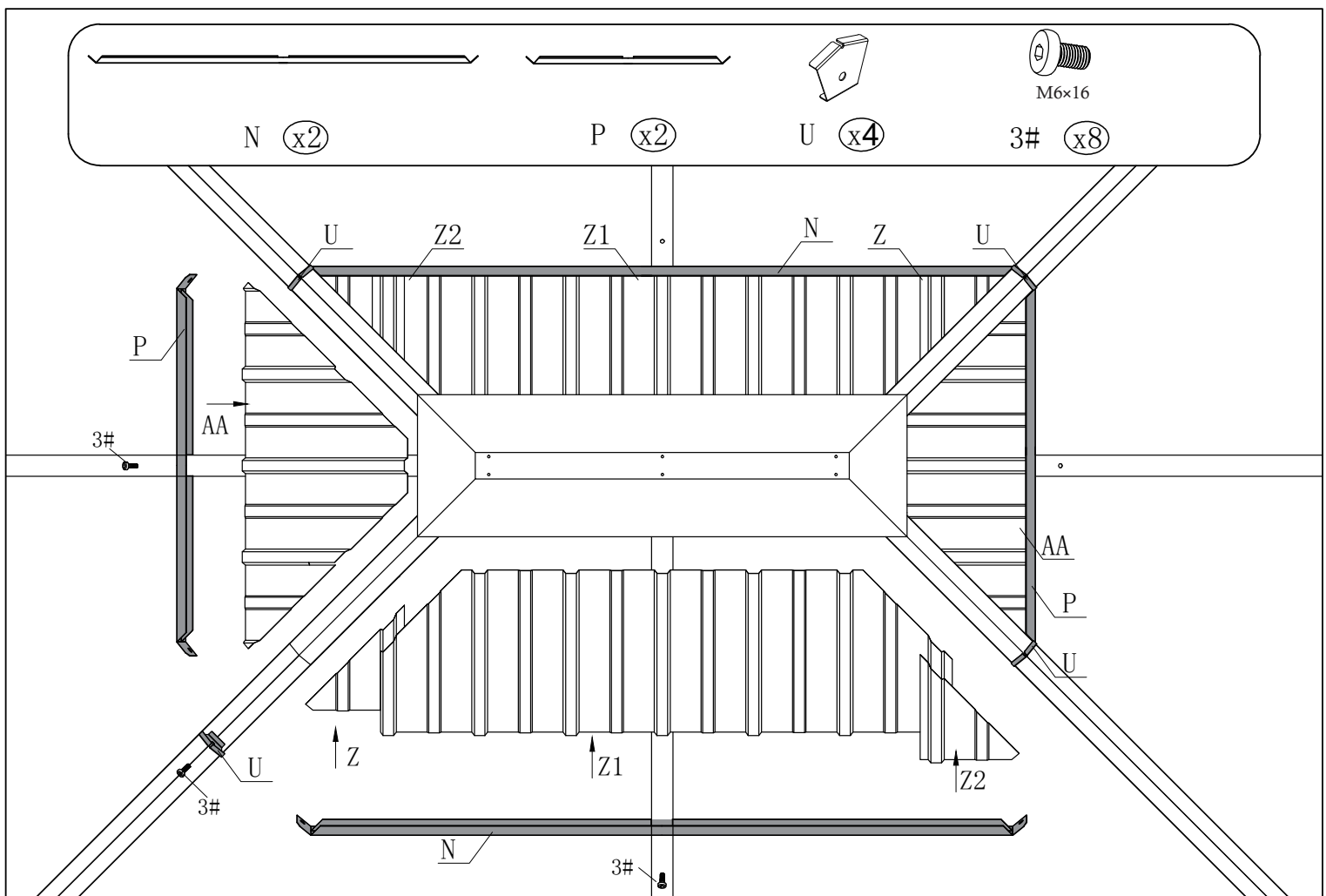


Install the outside roof cover #I onto the inside roof cover #H.

④: Roof Panel Assembly Instruction







Step 1: Insert roof panel #Z, Z1, Z2 into the frame, use bolt #3 to fix part #N to the middle roof tube.

Repeat the above procedures to assemble the opposite side.


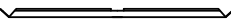


Step 2: Insert roof panel #AA, use bolt #3 to fix part #P to the middle roof tube.

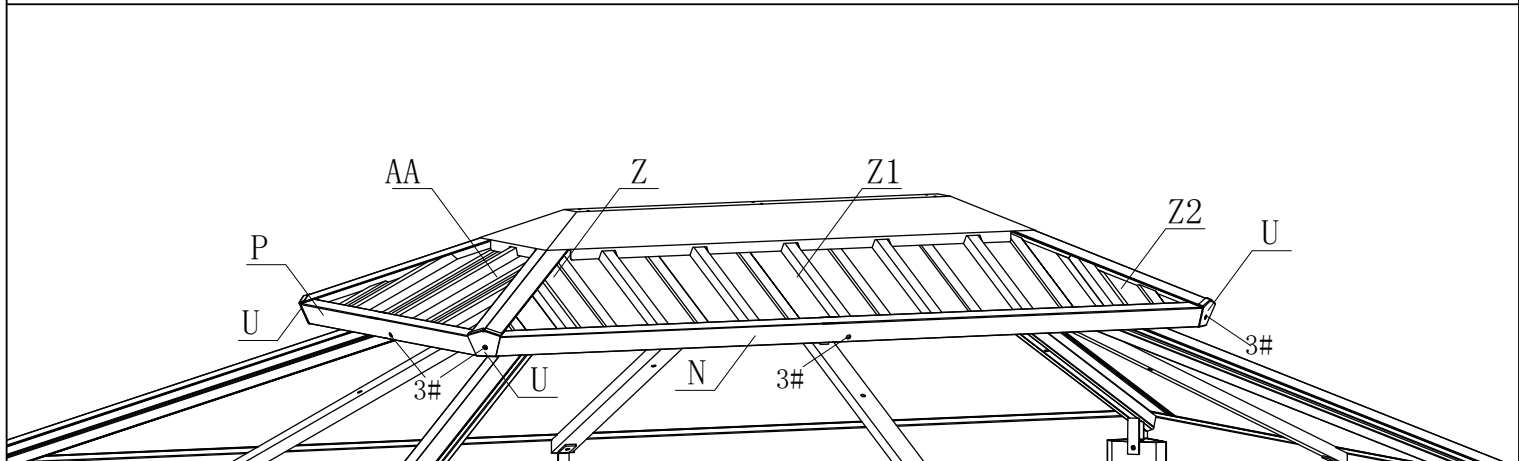
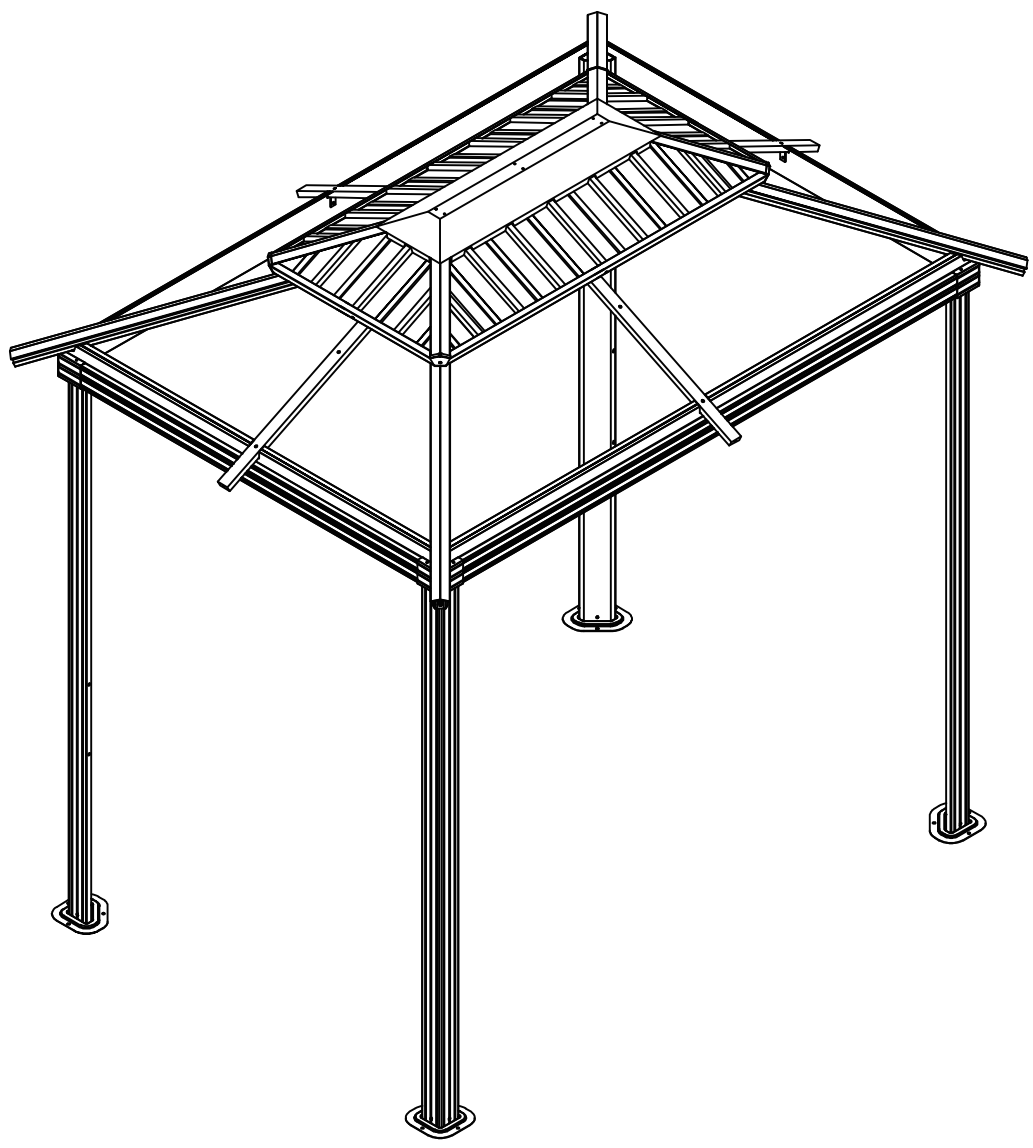
Repeat the above procedures to assemble the opposite side.

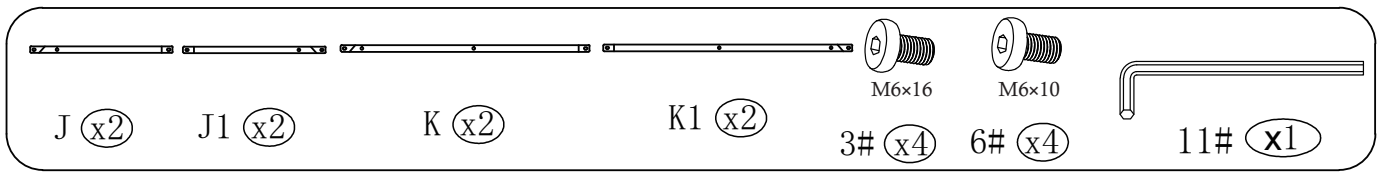
Step 3: Place part #N and part #P on corner roof tube, put on fixing bracket #U and secure with bolt #3.

Repeat the above procedures to assemble the other 3 corners.

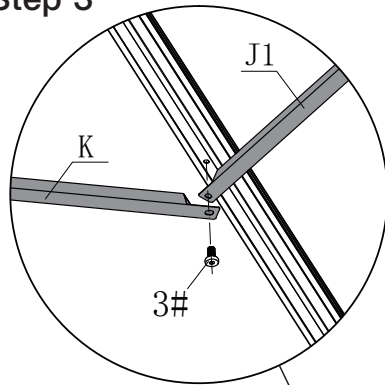
▲ The bigger roof panel need to cover the smaller one. If you can't install roof panel #Z1, push the outside roof cover up and try to insert it again.

			
N (x2)	P (x2)	U (x4)	M6x16 3# (x8)

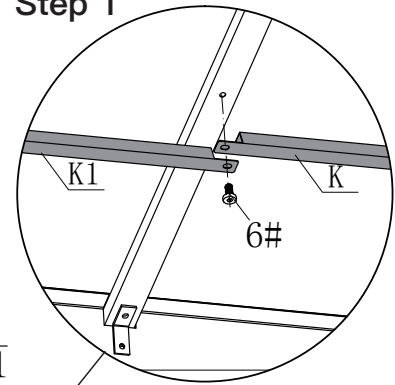




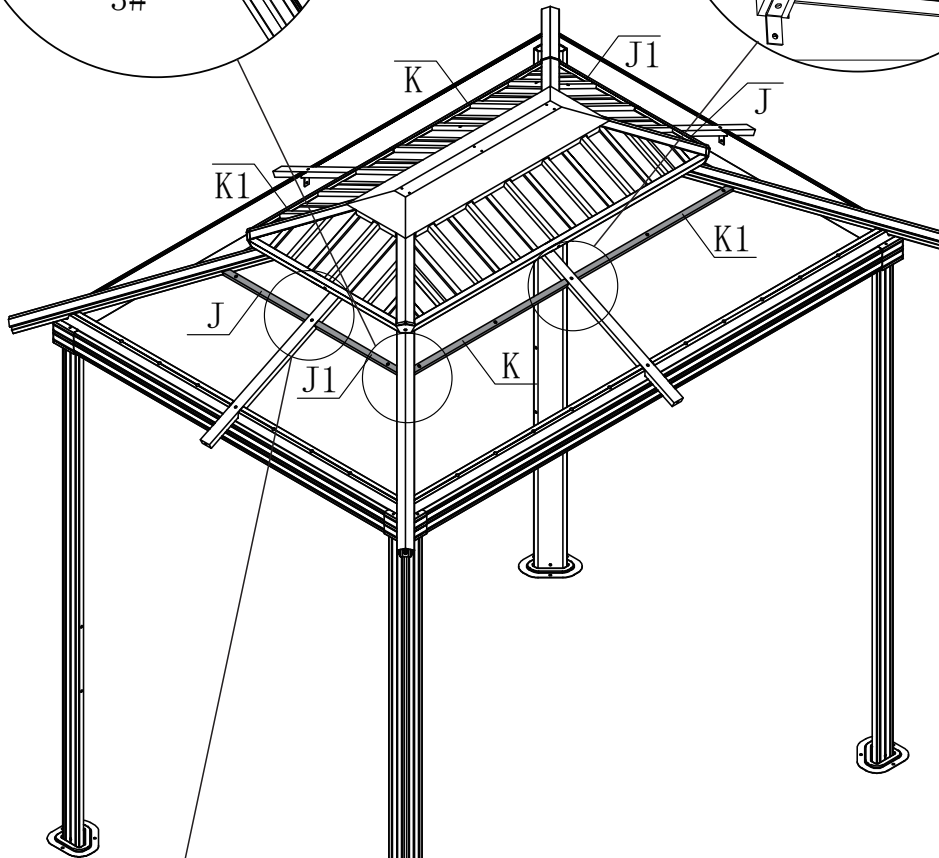
Step 3



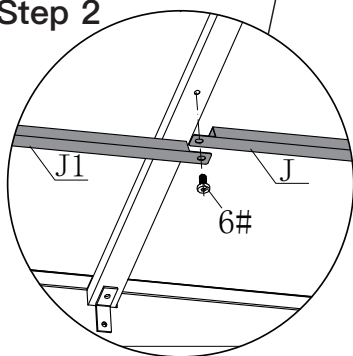
Step 1



Inside View



Step 2



Step 2: Use bolt #6 to fix part #J and #J1 to the middle roof tube.

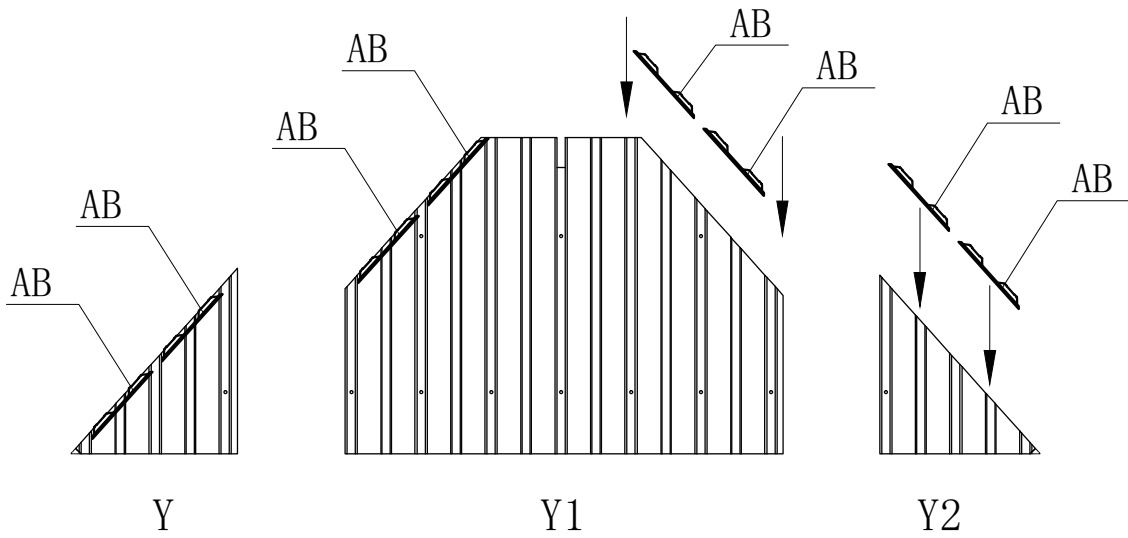
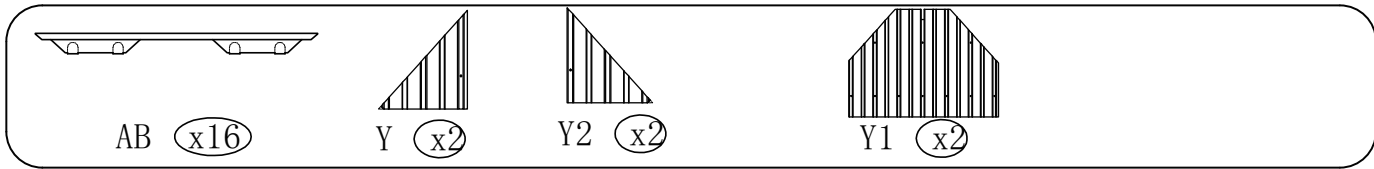
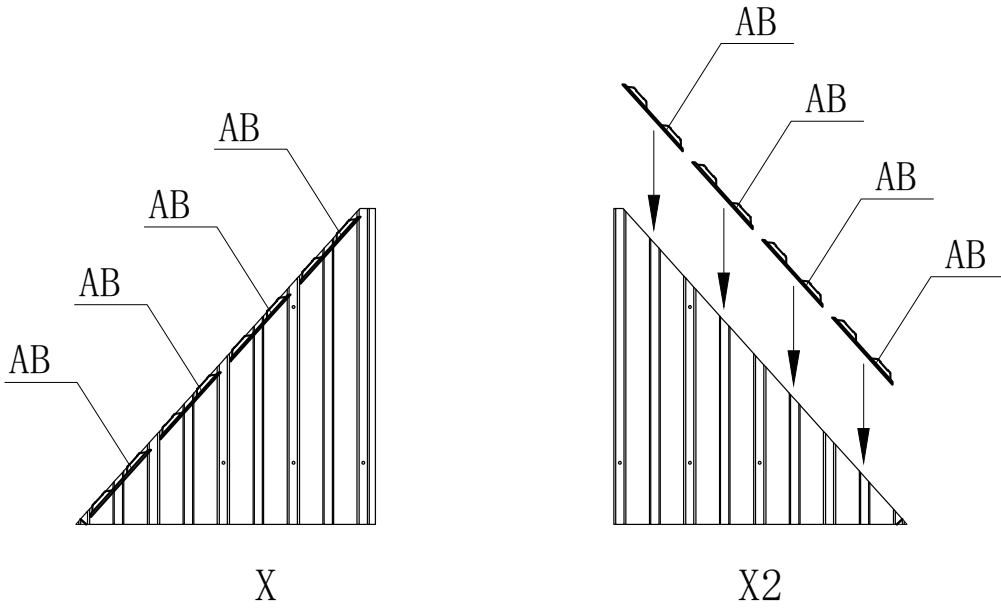
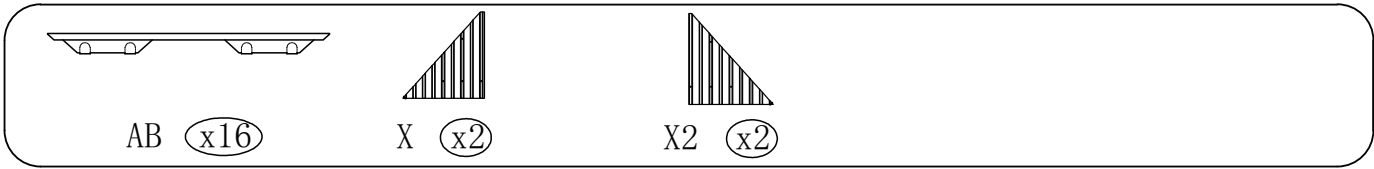
Repeat the above procedures to assemble the opposite side.

Step 1: Use bolt #6 to fix part #K and #K1 to the middle roof tube.

Repeat the above procedures to assemble the opposite side.

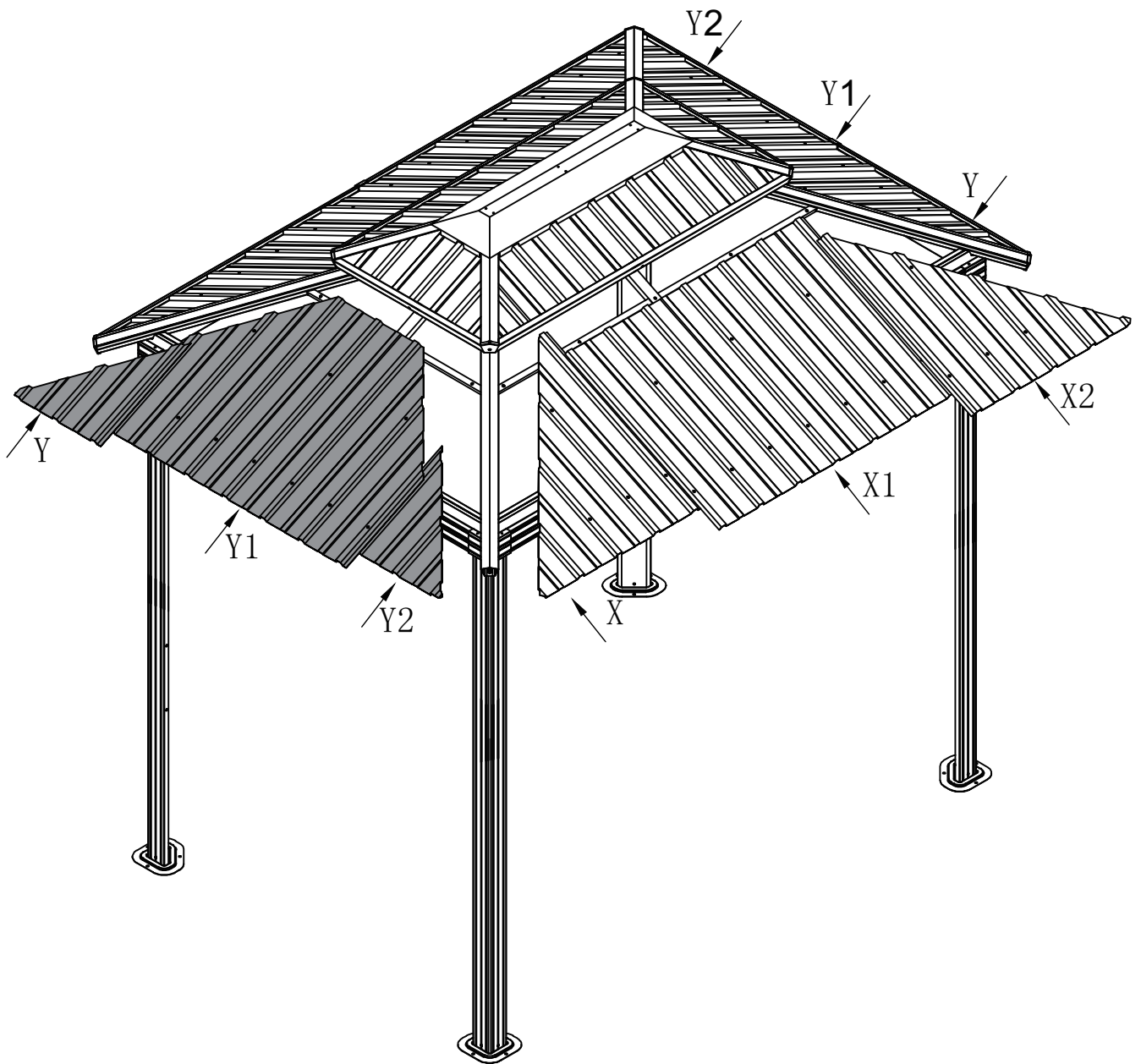
Step 3: Use bolt #3 to fix part #J1 and #K, #J and #K1 to the corner roof tube.

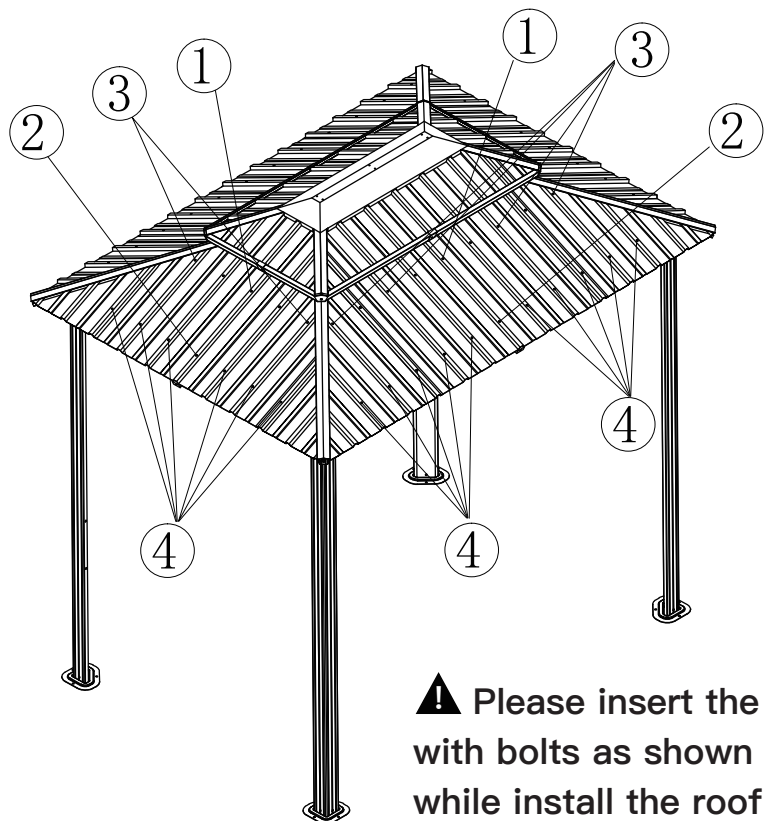
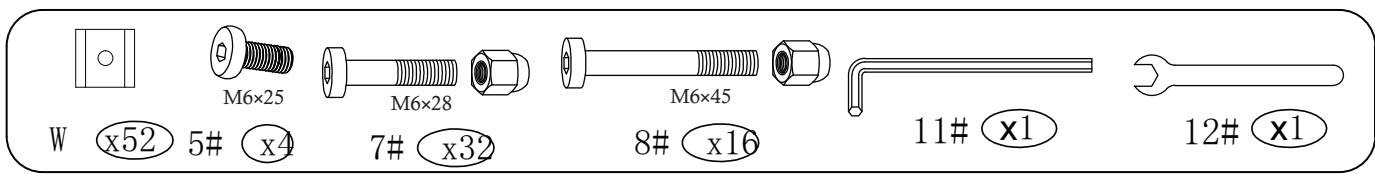
Repeat the above procedures to assemble the other 3 corners.



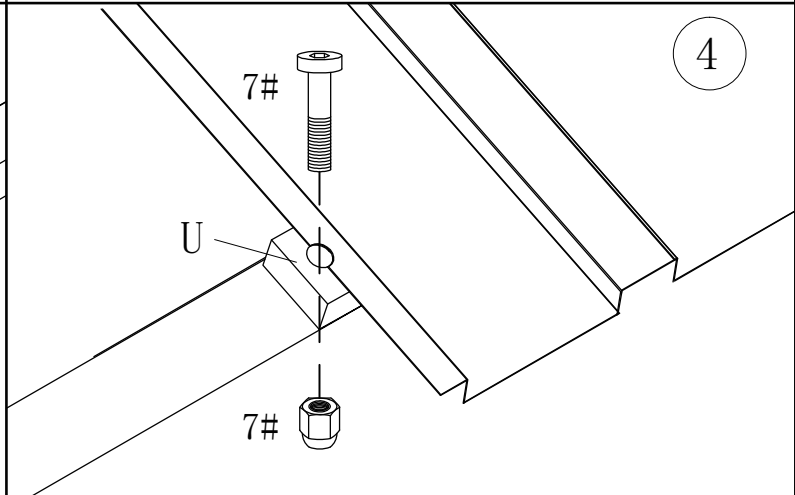
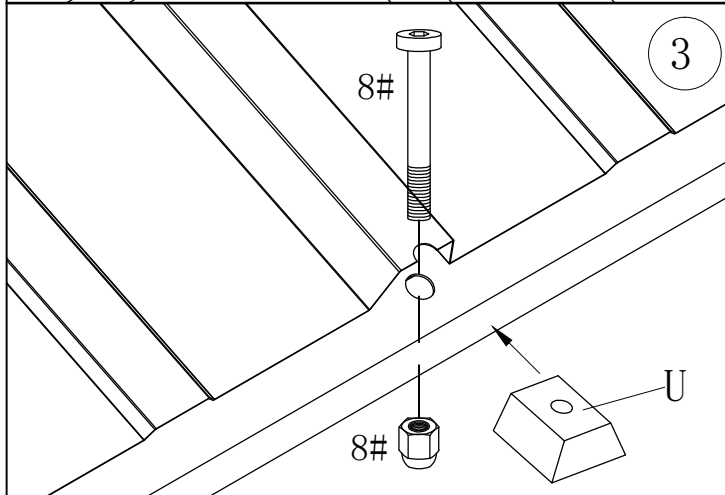
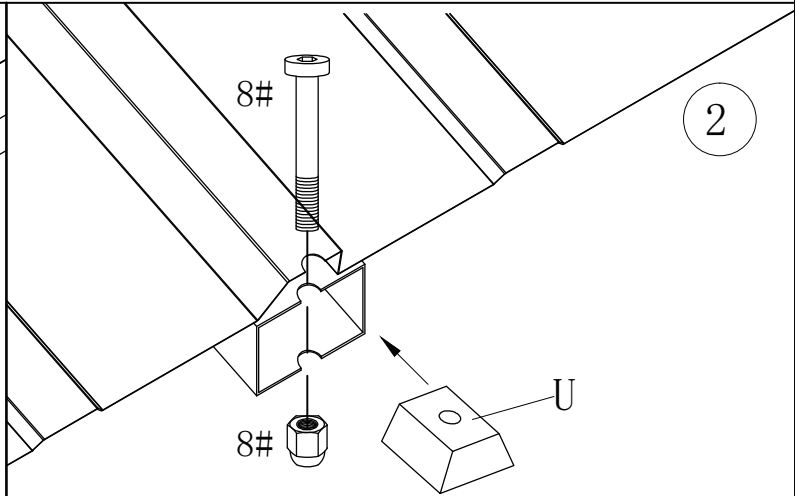
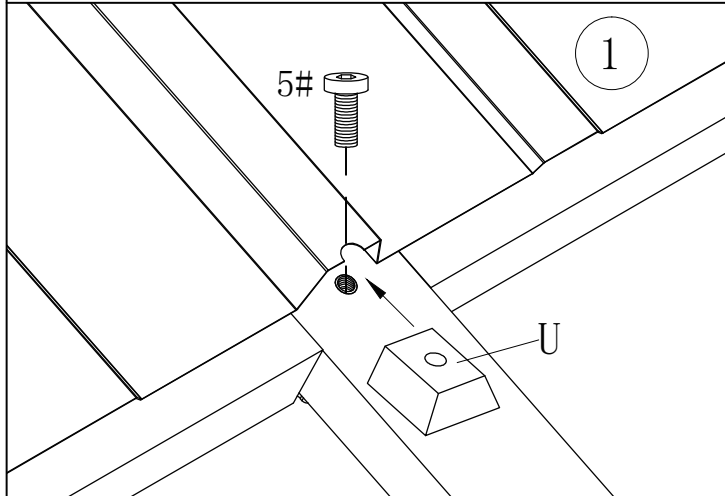
Insert roof panel #Y, #Y1 and #Y2 into the frame.

⚠ Please insert the spacer #W and fix with bolts as shown in the next page while install the roof panel.



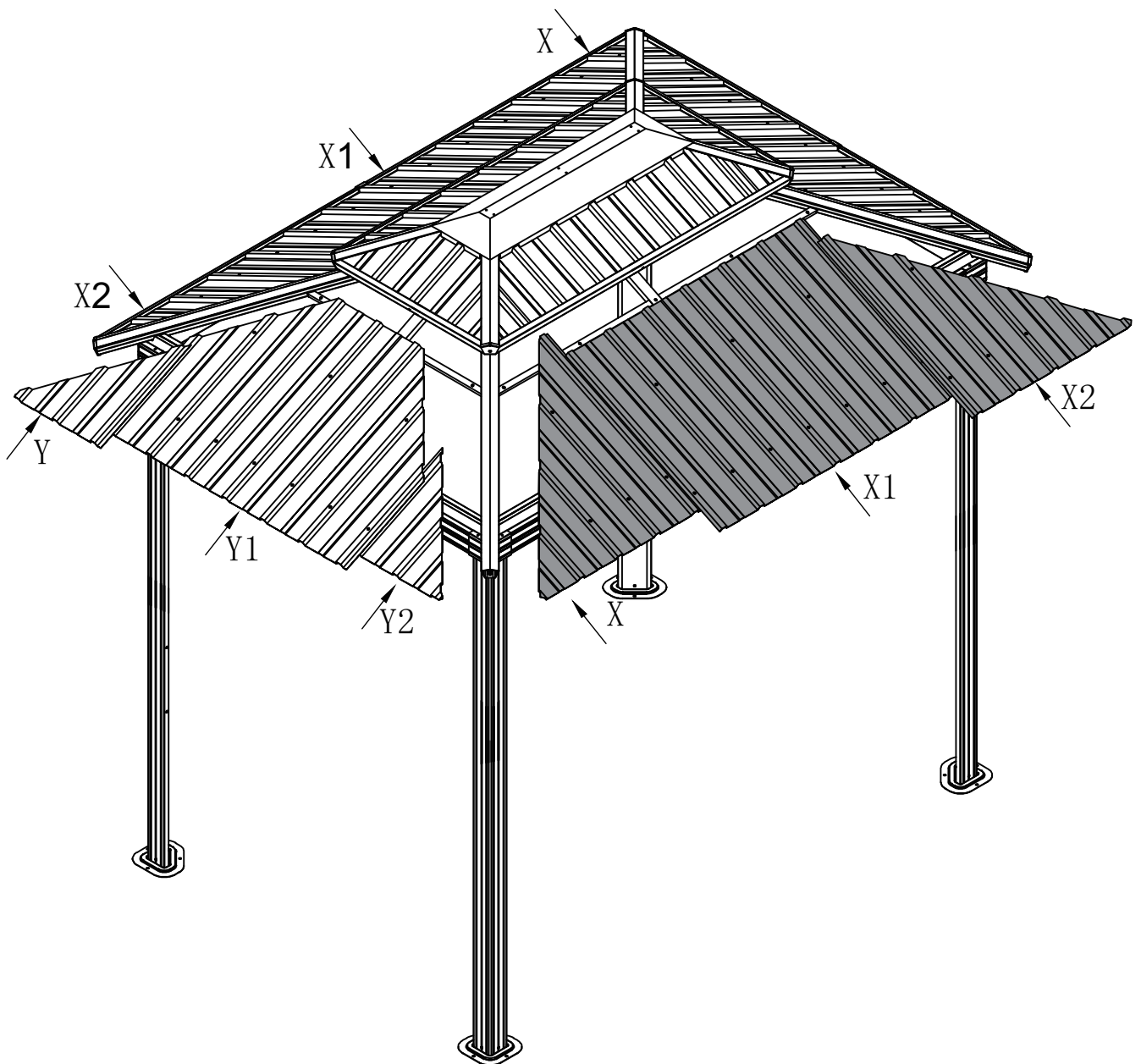


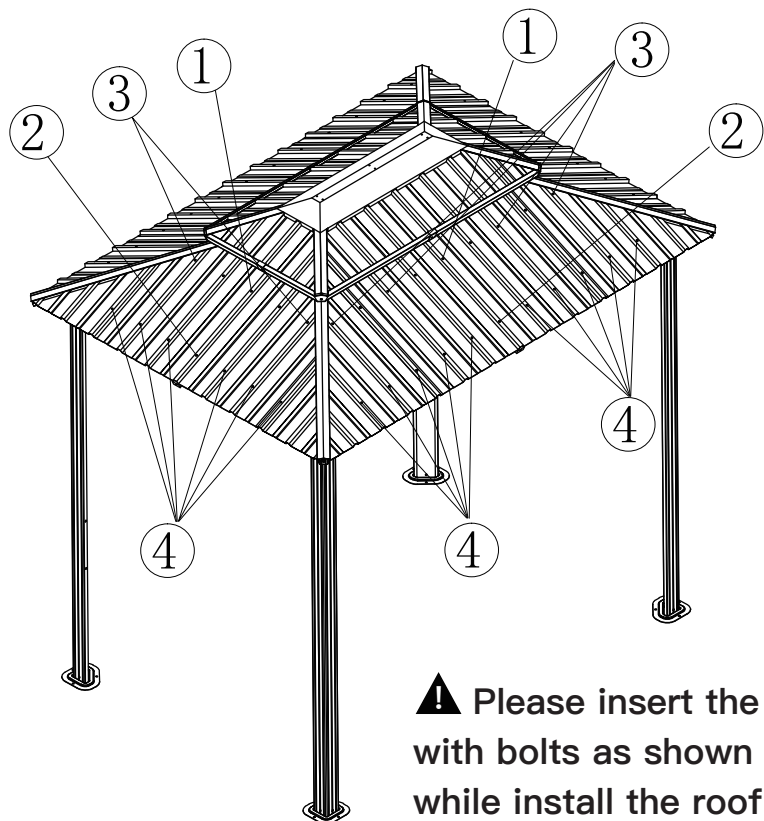
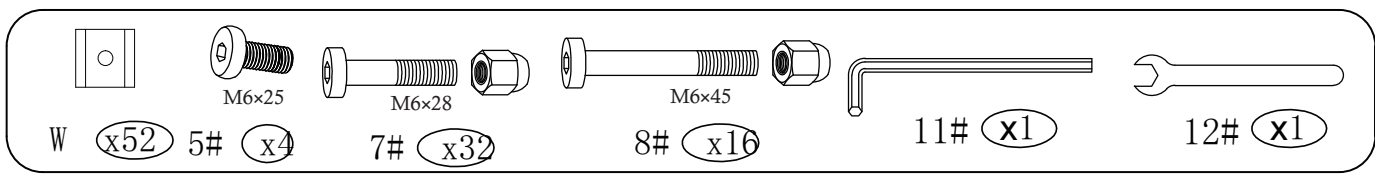
▲ Please insert the spacer #W and fix with bolts as shown in the next page while install the roof panel.



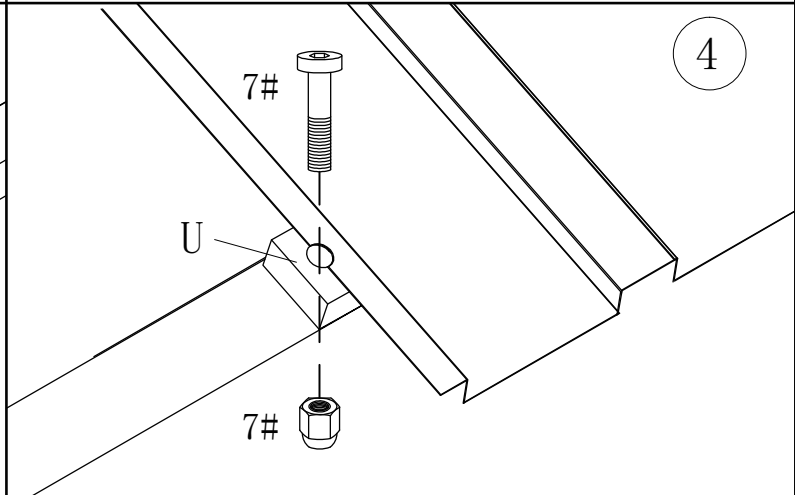
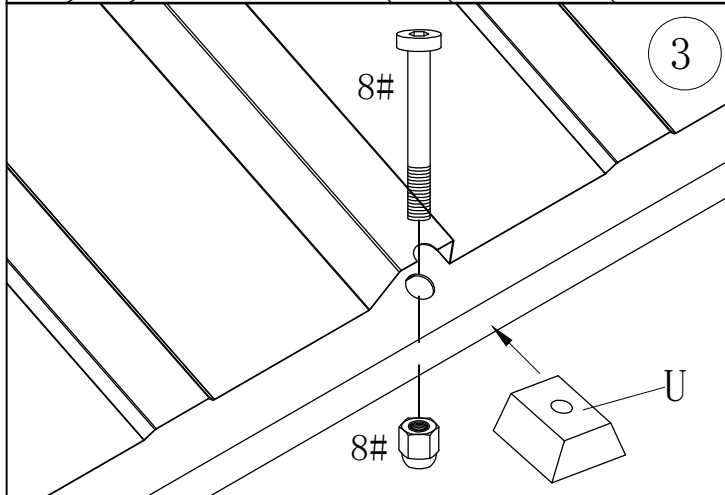
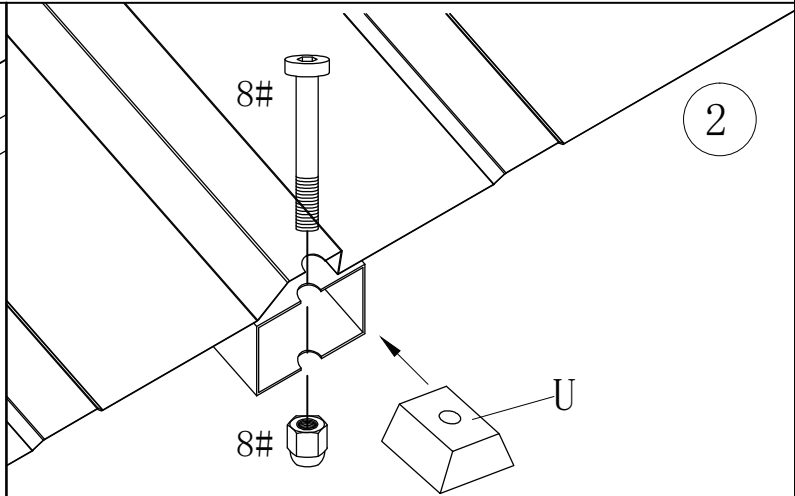
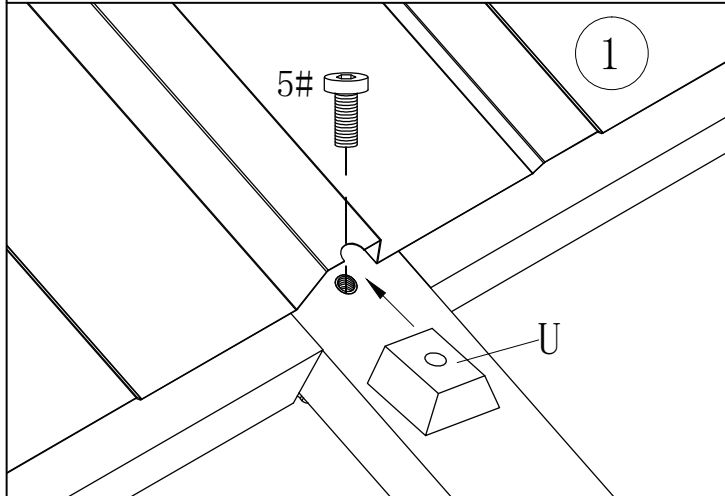
Insert roof panel #X, #X1, #X2 into the frame.

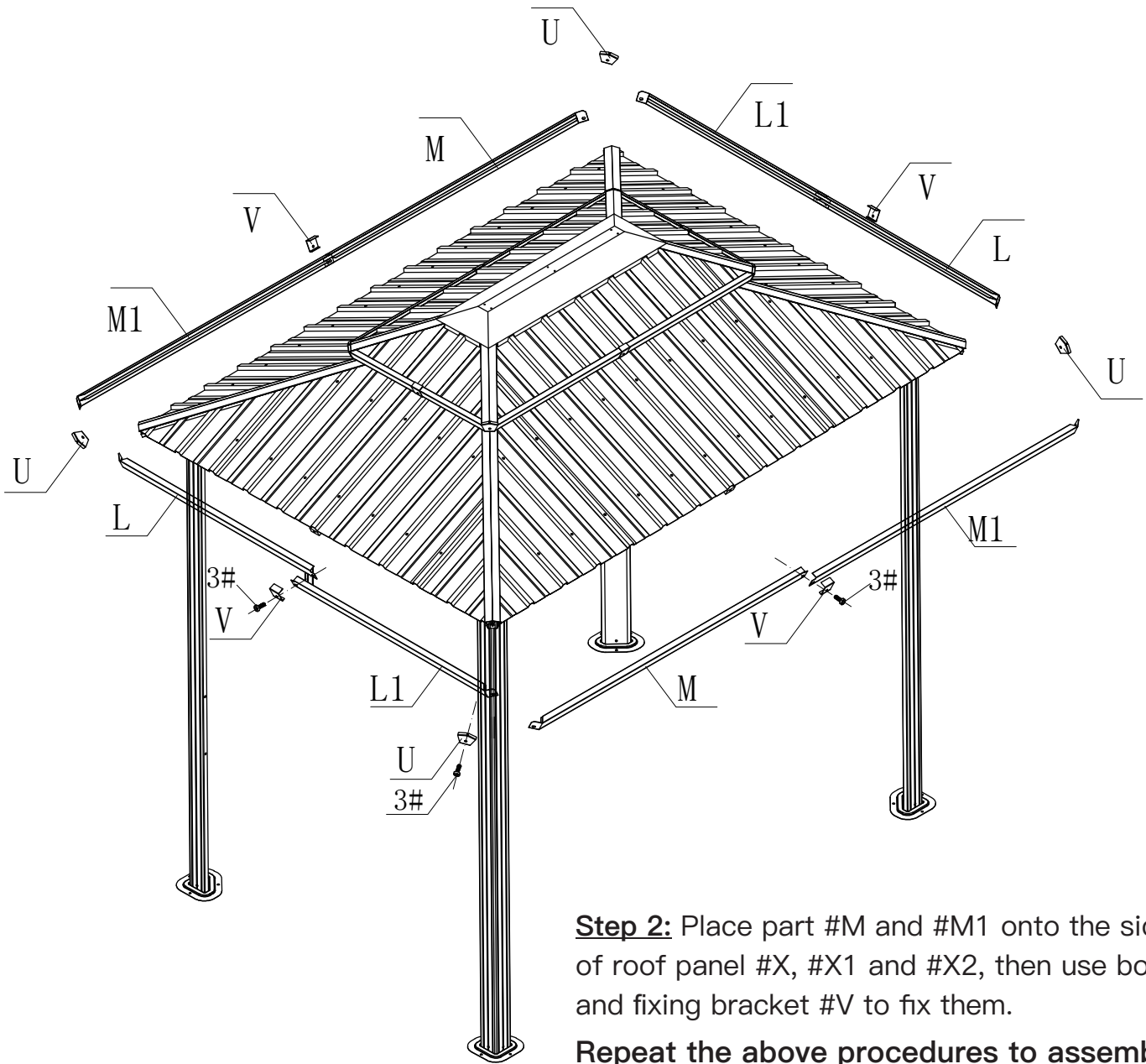
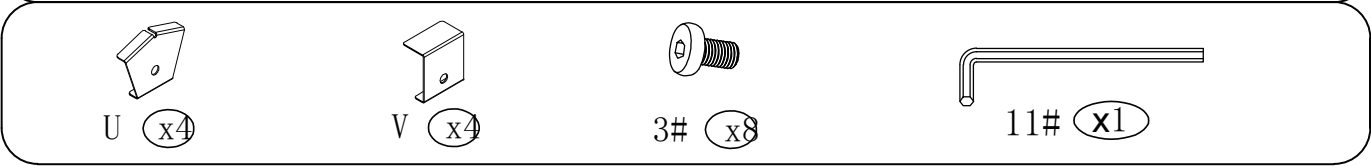
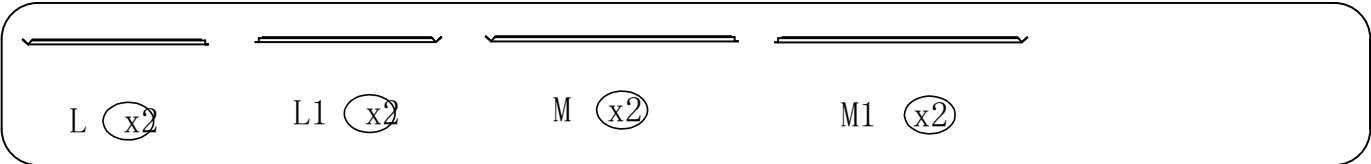
⚠ Please insert the spacer #W and fix with bolts as shown in the next page while install the roof panel.





▲ Please insert the spacer #W and fix with bolts as shown in the next page while install the roof panel.





Step 1: Place part #L and #L1 onto the side of roof panel #Y, #Y1 #Y2, then use bolt #3 and fixing bracket #V to fix them. Repeat the above procedures to assemble the opposite side.

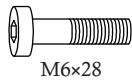
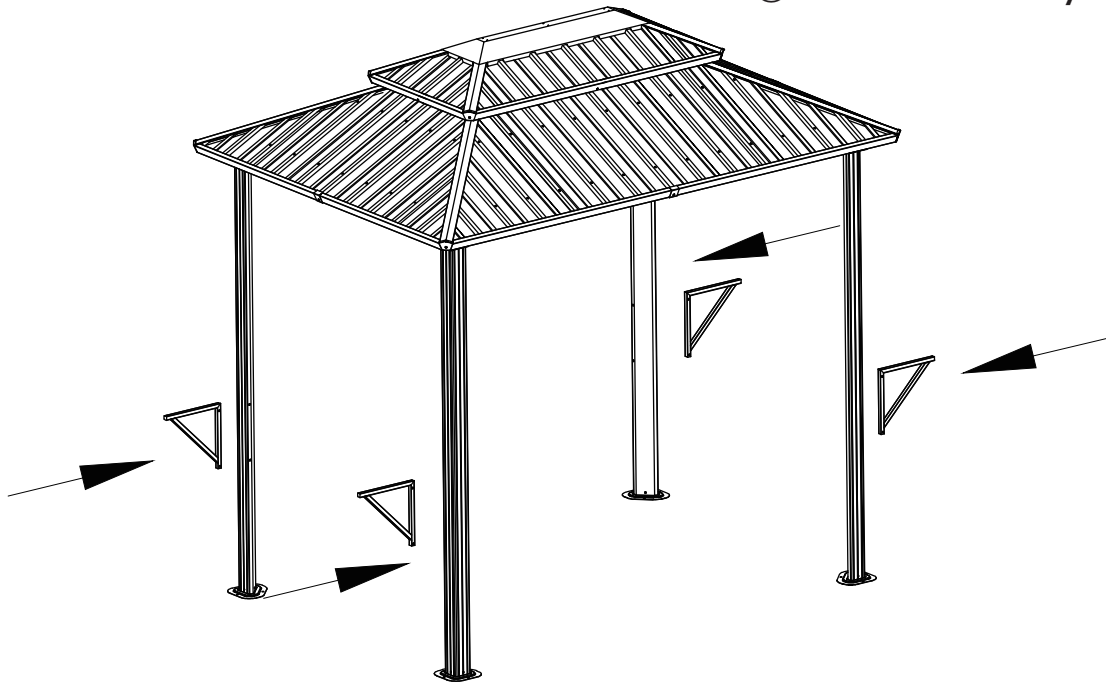
Step 2: Place part #M and #M1 onto the side of roof panel #X, #X1 and #X2, then use bolt #3 and fixing bracket #V to fix them. Repeat the above procedures to assemble the opposite side.

Step 3: Use bolt #3 and fixing bracket #U to fix the finishing bar #L1 & #M, #M1 & #L. Repeat the above procedures to assemble the other 3 corners.



S (x4)

⑤: Table Assembly Instruction

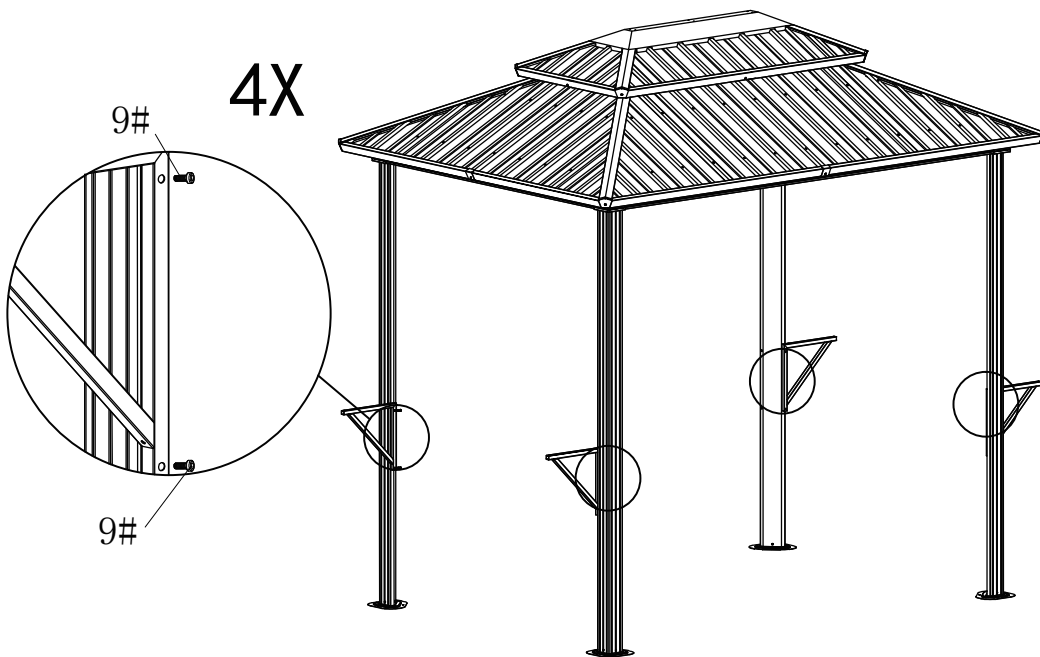


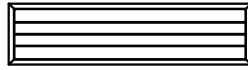
M6x28

9# (x8)

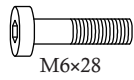
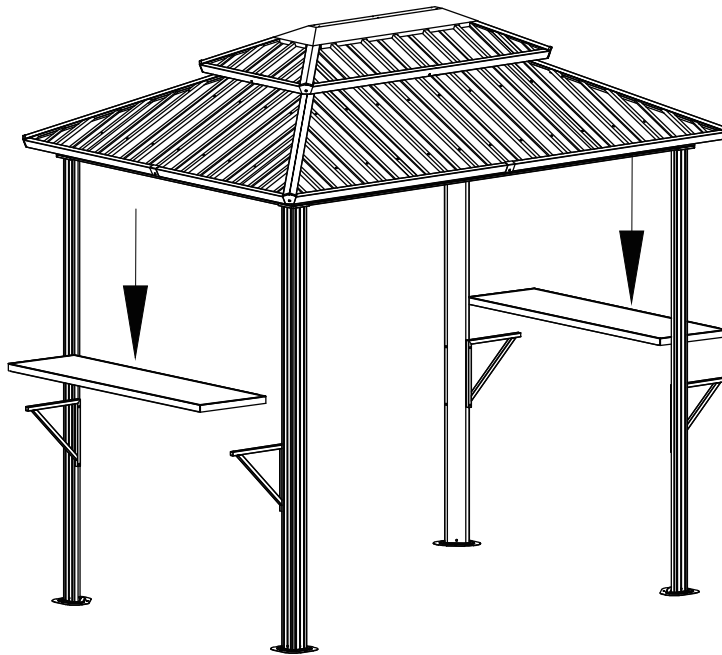


11# (x1)





T (x2)

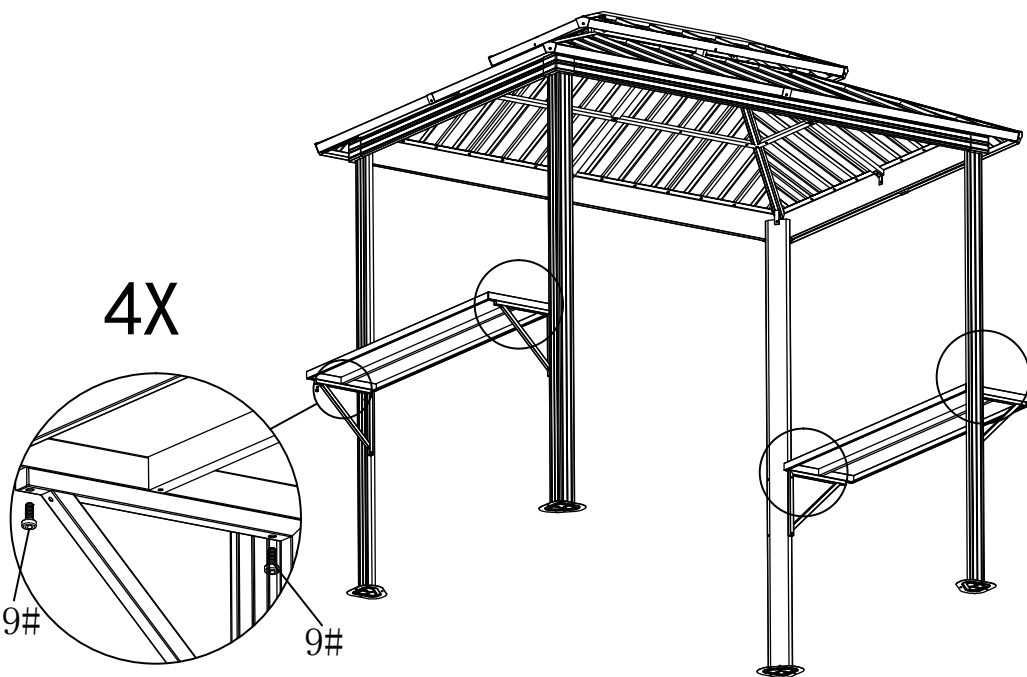


M6x28

9# (x8)

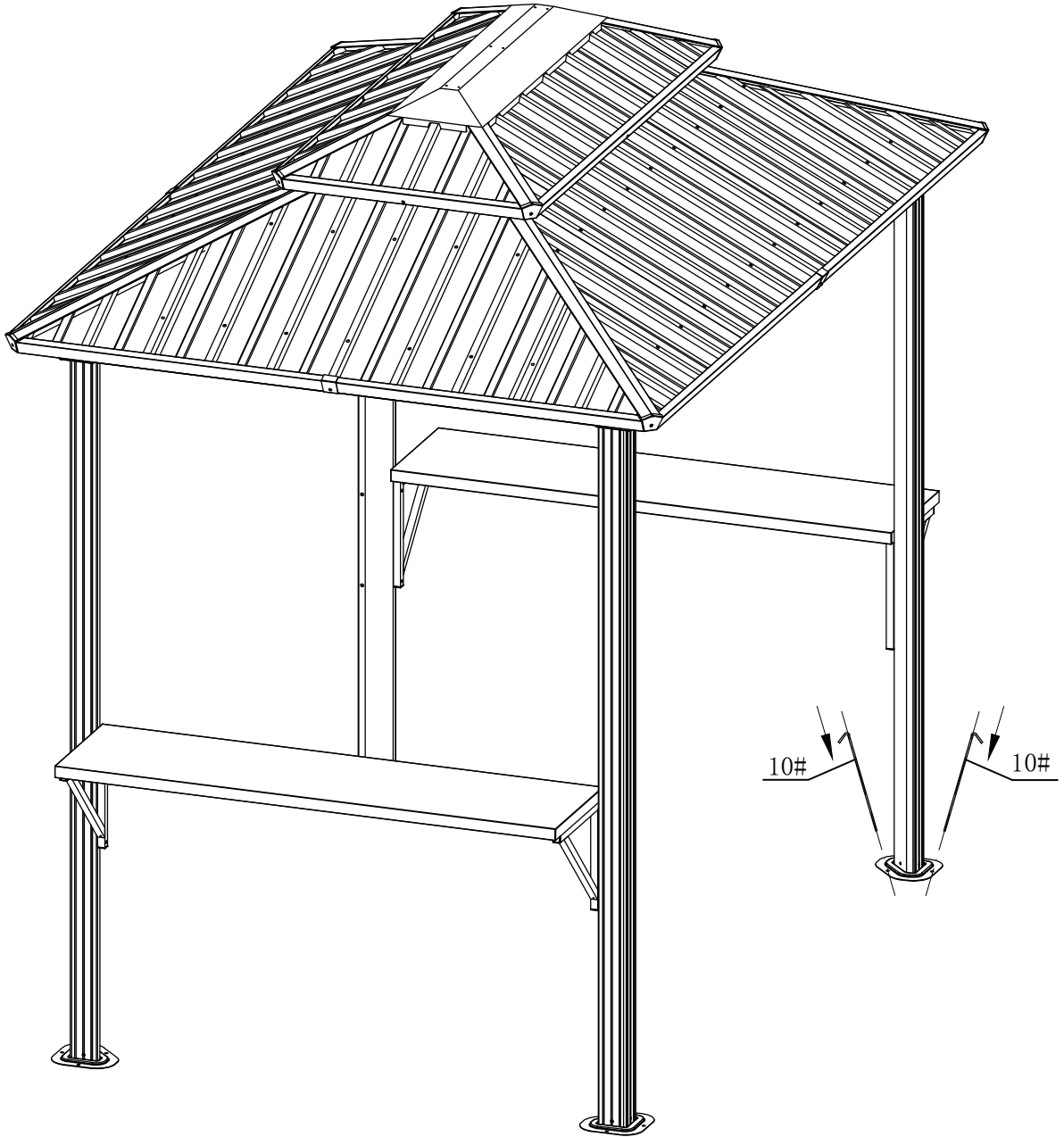


11# (x1)





10# x8



You can secure each base with 2 Post anchor to the soft ground as a temporary use.

⚠ The anchor can not be used as expansion bolts which can stand against the strong wind.

Thanks for your purchase.

At domi outdoor living, we believe in our products.

That's why we provide a 12-month warranty and

friendly, easy-to-reach after-sales service. So if you

have any questions about our product and assembly-

,please feel free to contact us. We will be here for you.

Support:  

After-sales contact email:

service@domioutdoorliving.com

Please tell us your order ID when contact.

Attach photos of damaged part for instant reply.