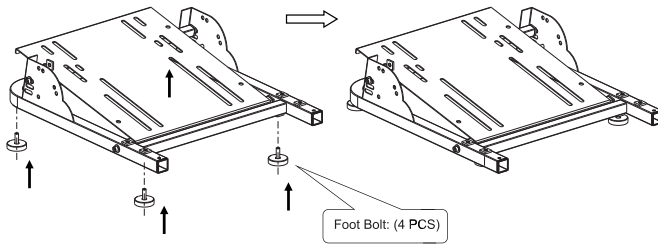
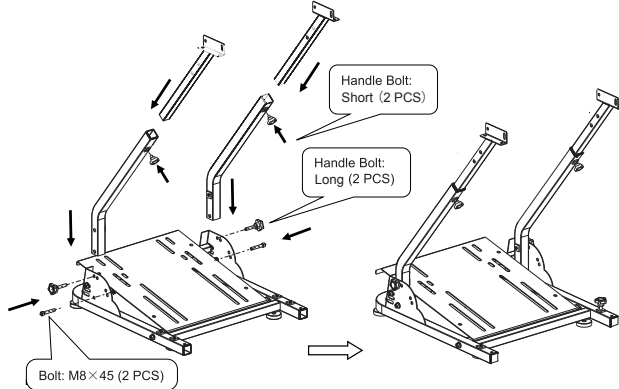


Product Assembly Manual

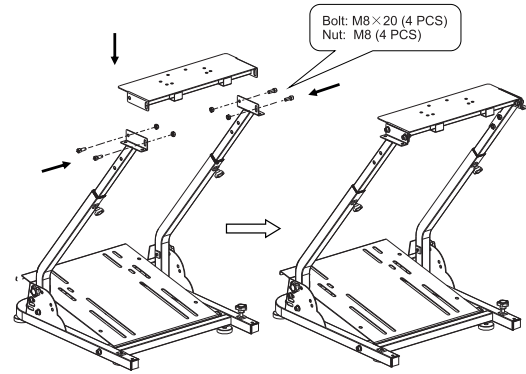
1. Assemble the anti-skid foot bolt(4 pcs)



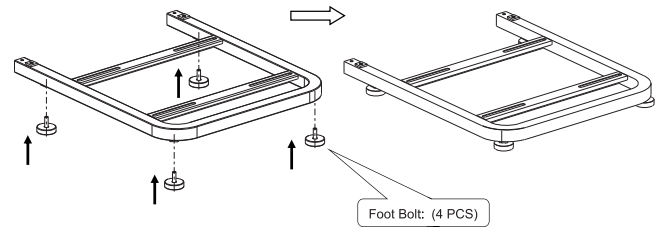
2. Assemble left and right adjustment stand



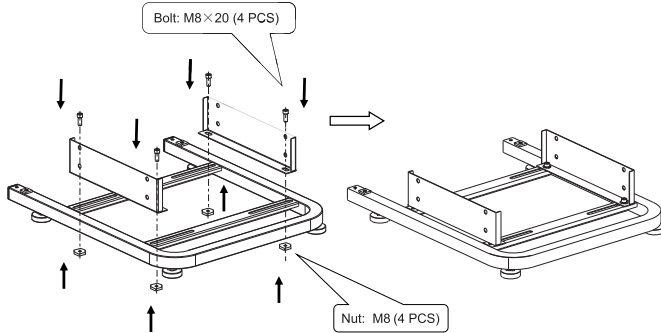
3. Assemble the steering wheel mounting stand



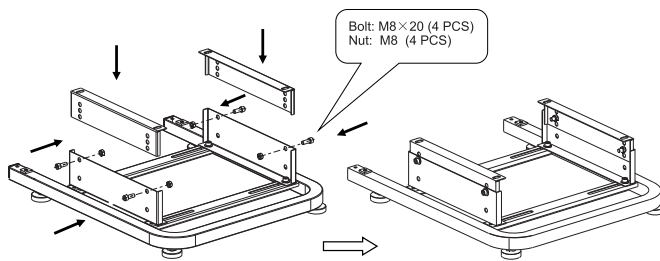
4. Assemble the anti-skid foot bolt(4 pcs) to the afterpart stand



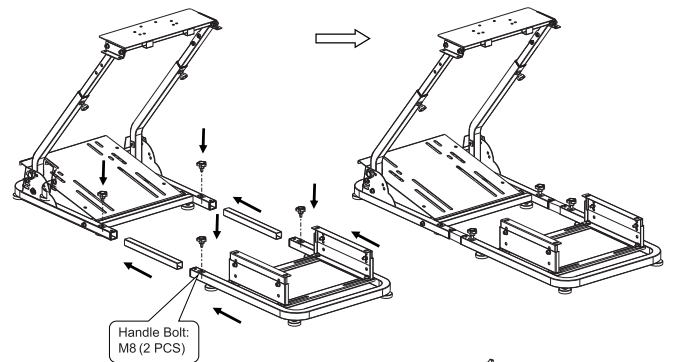
5. Assemble the seat mounting stand



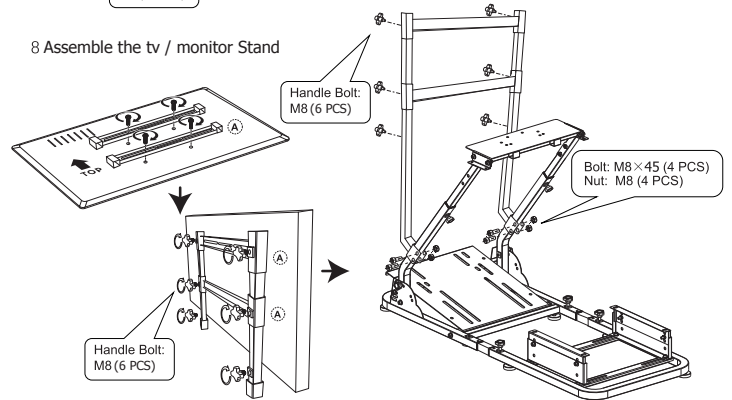
6. Assemble the seat adjustment stand



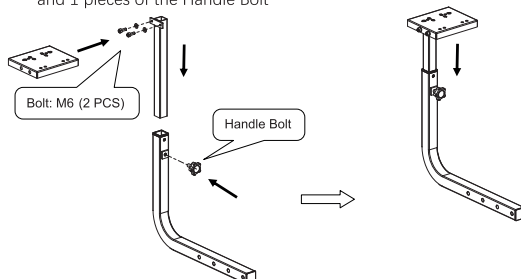
7. Connect the frontpart stand



8 Assemble the tv / monitor Stand



9. Assemble the gear mounting stand with 2 pieces of the bolt (M6) and 1 pieces of the Handle Bolt



10. Assemble the elbow fixing stand with 2 pieces of the bolt (M8x80) and 2 pieces of the nut (M8)

