





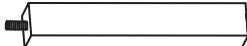
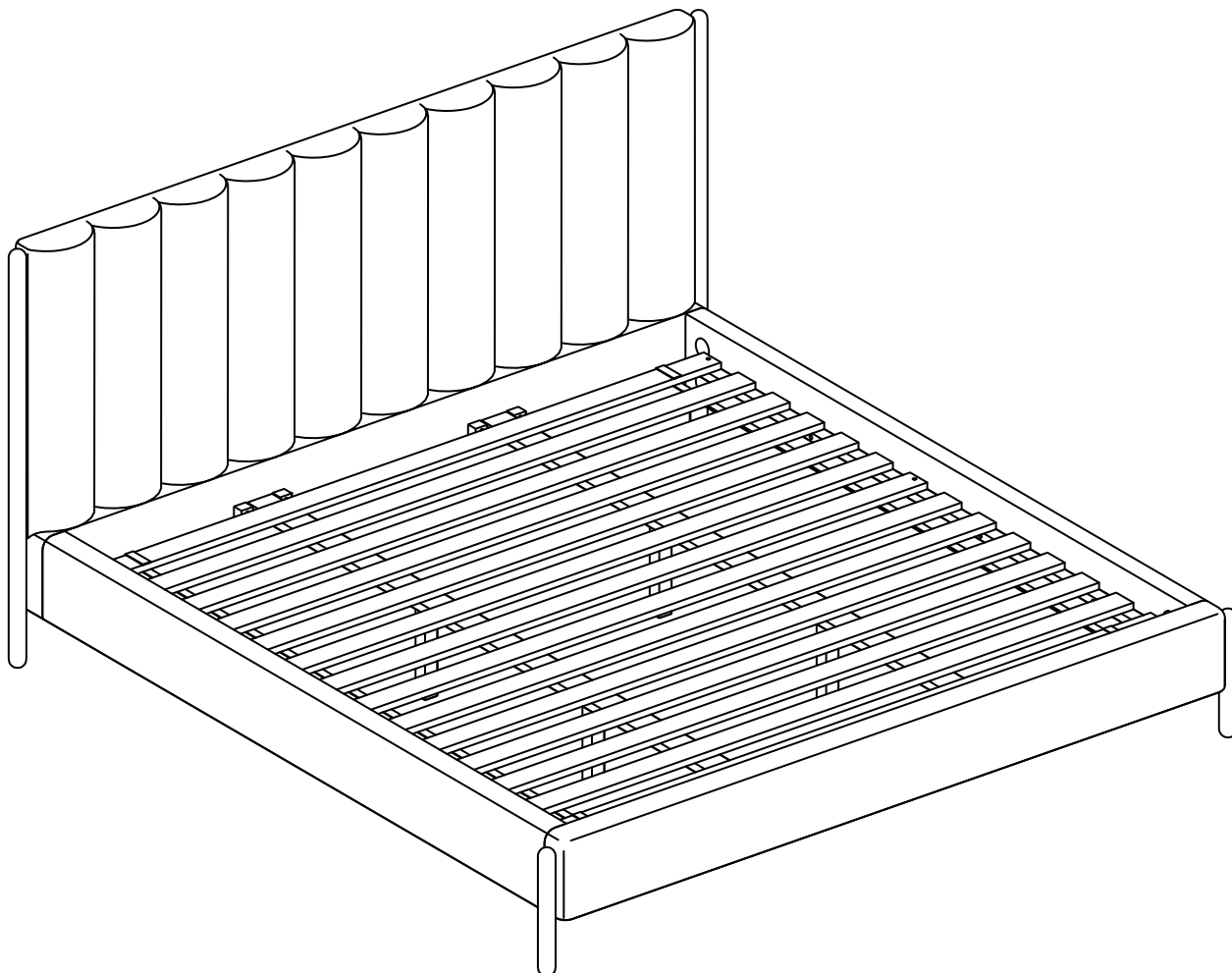


ASSEMBLY INSTRUCTIONS

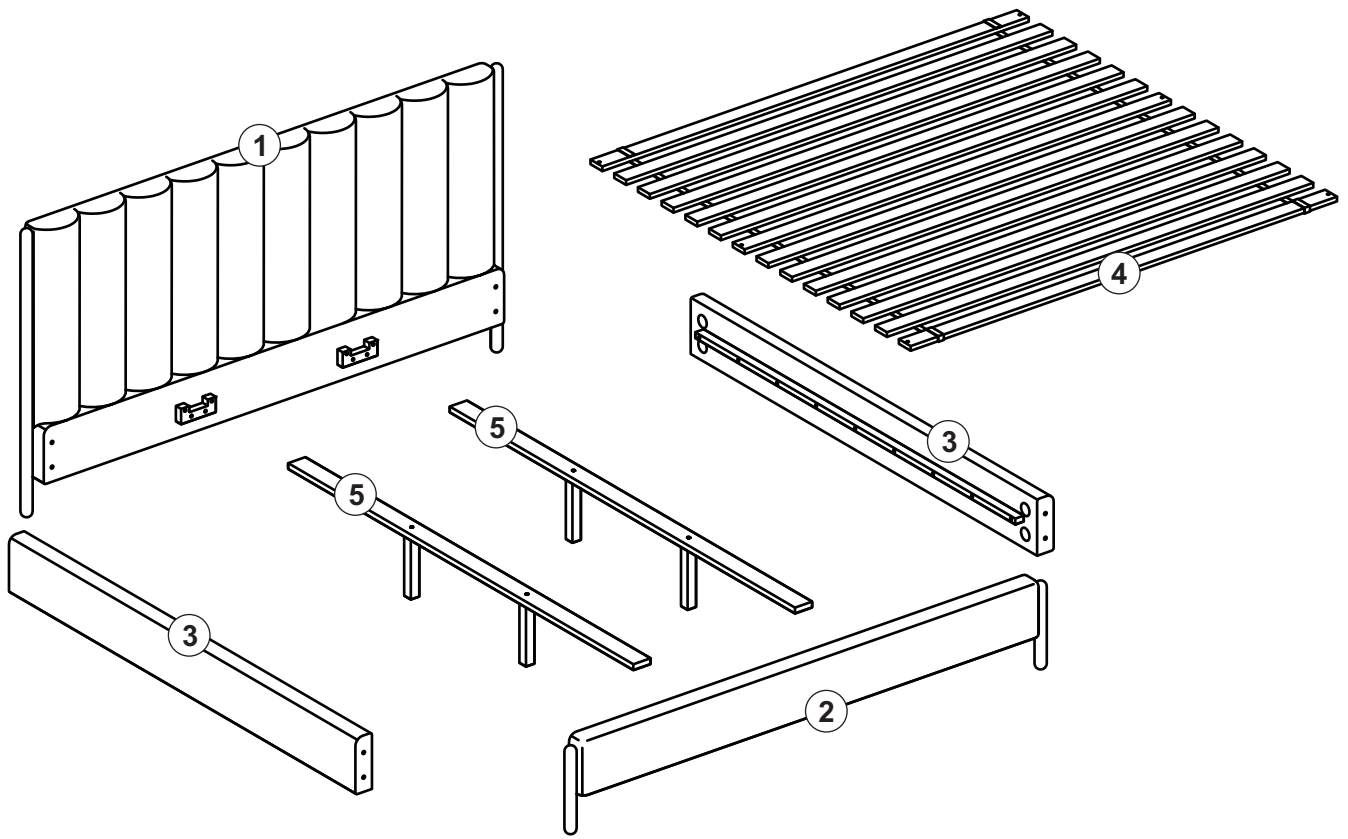
KING BED

HARDWARE LIST

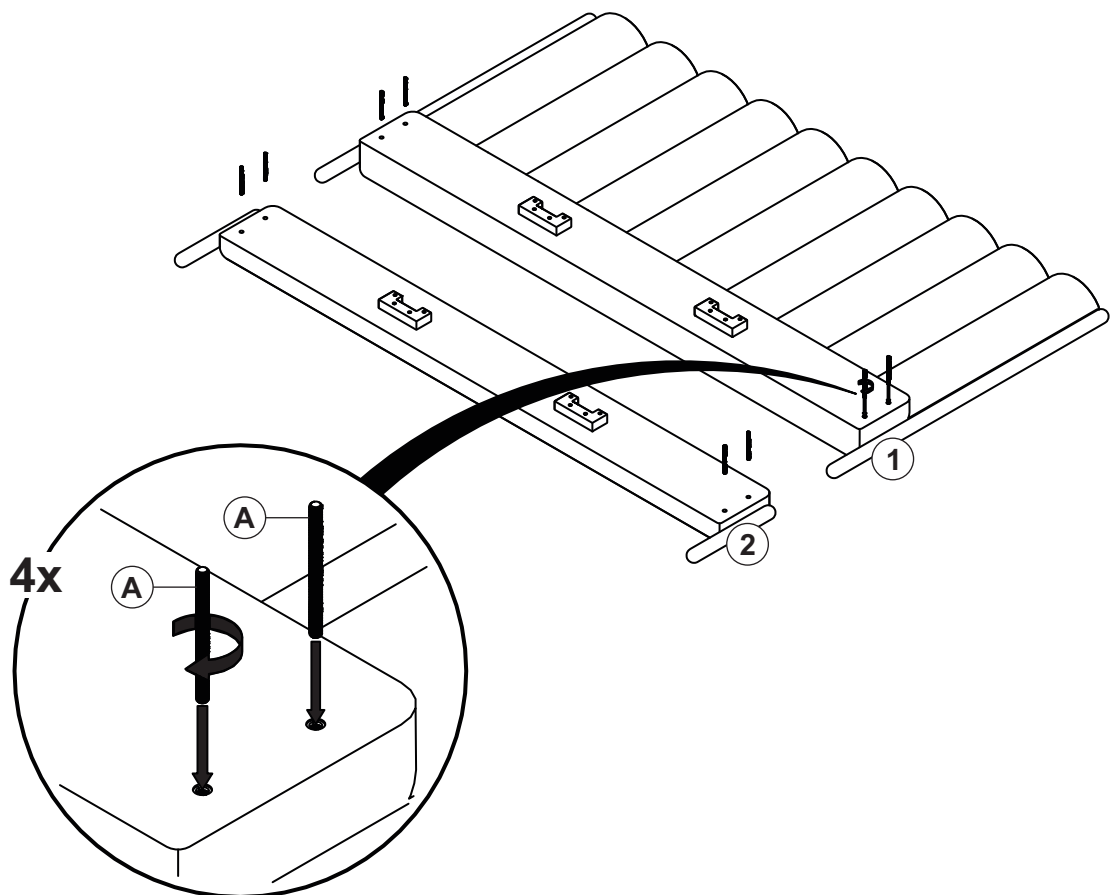
A		Threaded Rods M8 x100mm	8
B		Hex Nuts M8 x13mm	8
C		Wrench	1
D		Half-Moon Washer	8
E		Wooden Screw M4x25	6
F		Cover Caps	8
G		Leg Support	4



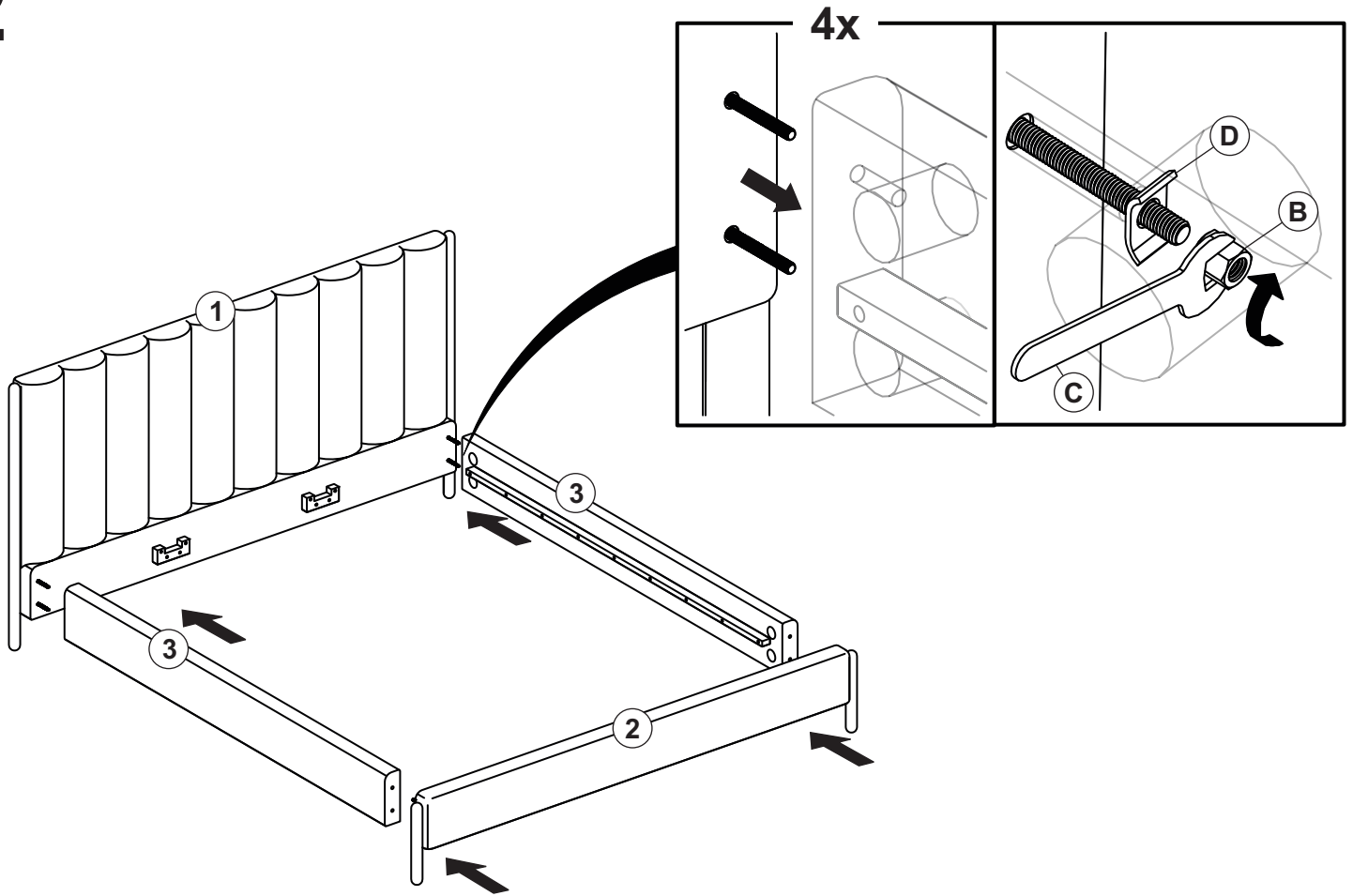
COMPONENTS



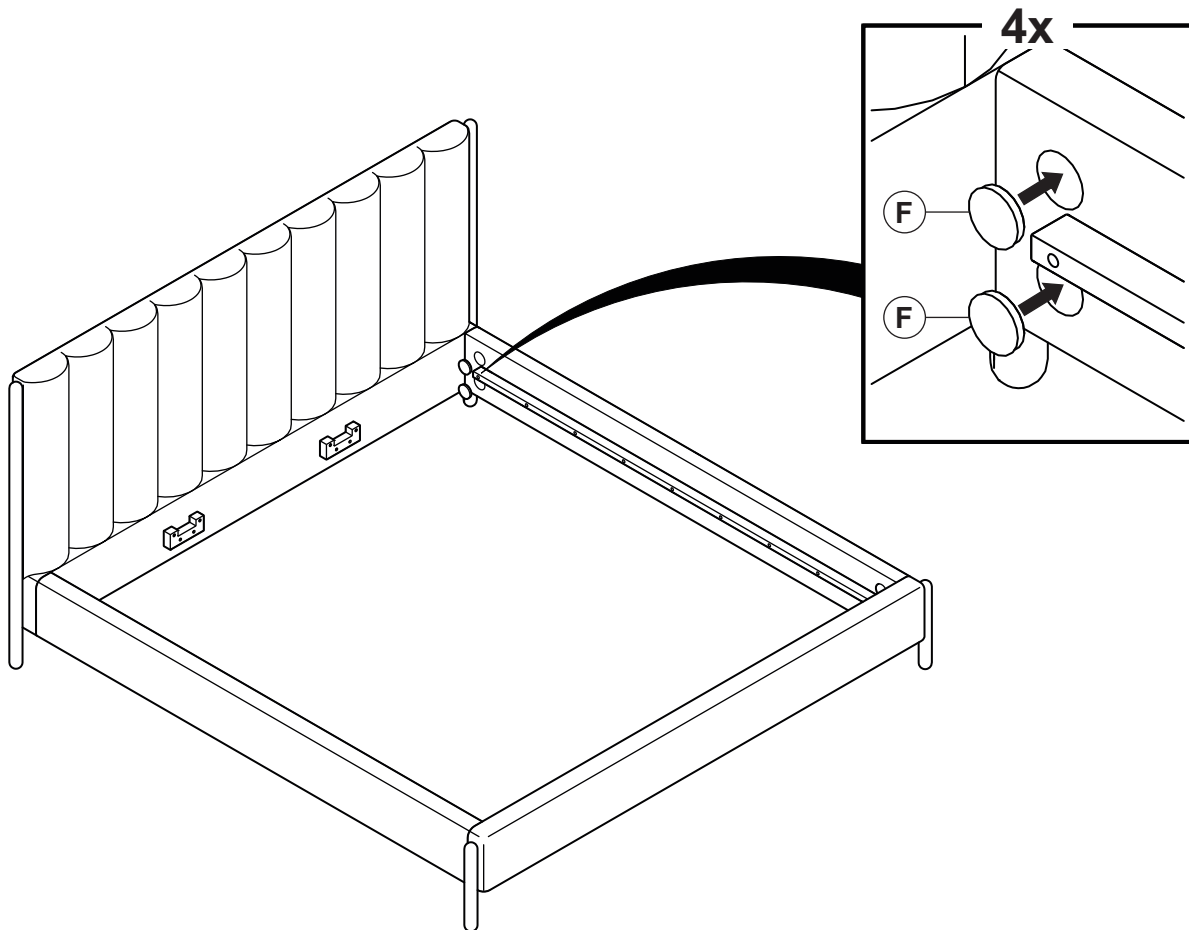
1



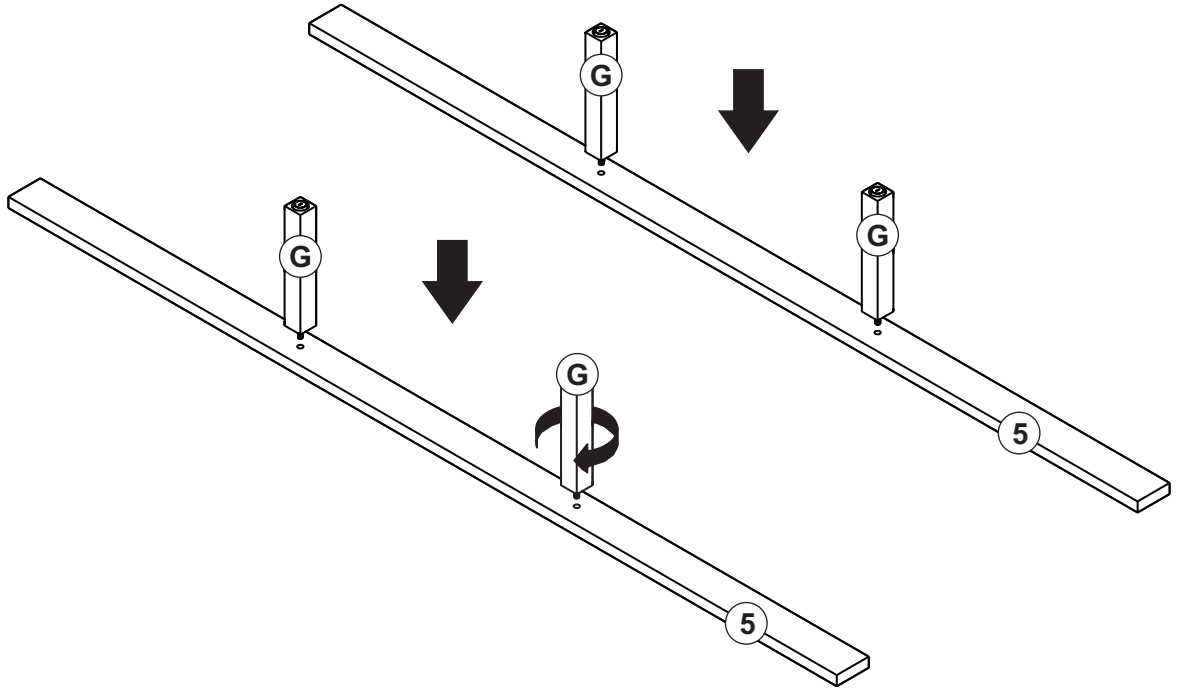
2



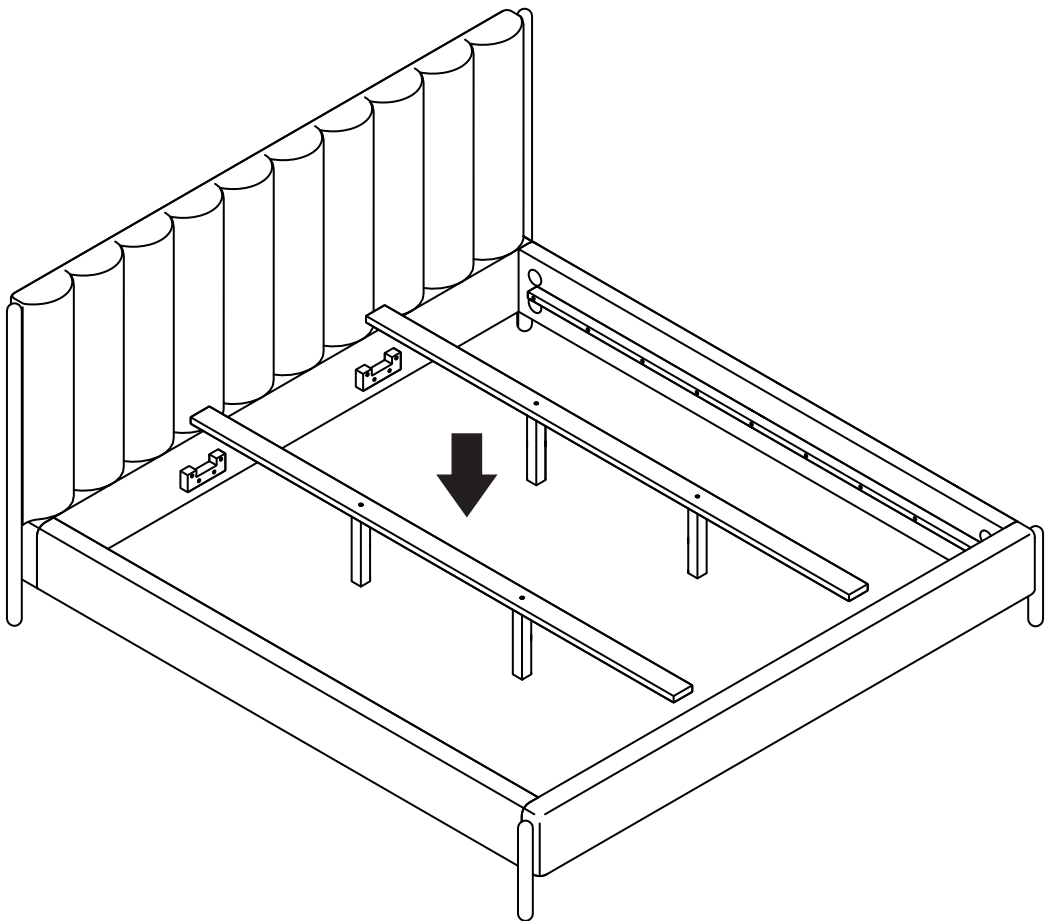
3



4



5



6

