

ASSEMBLY GUIDE

SWIVEL CHAIR ASSEMBLY GUIDE



NOTICE



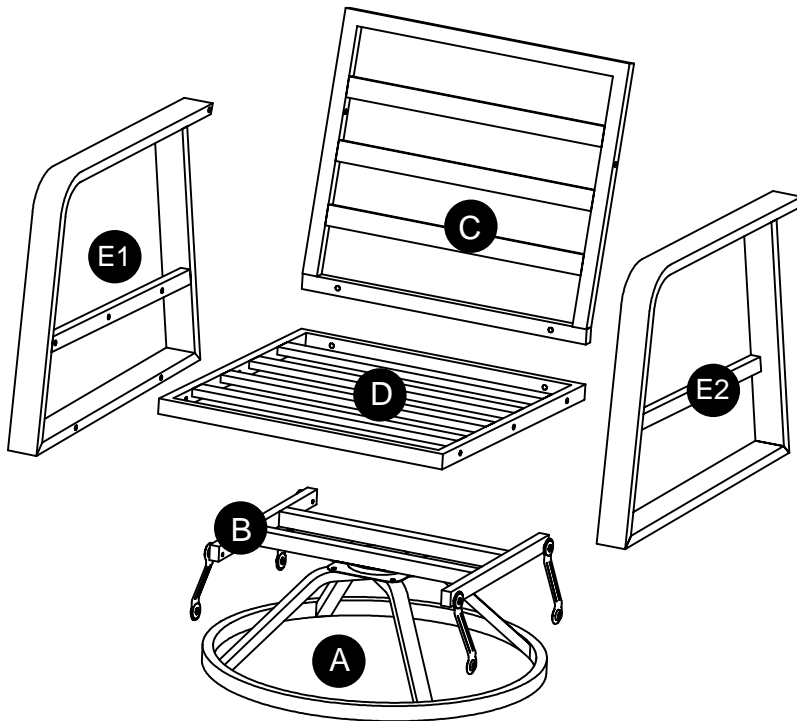
Please Read Carefully Before Installation

Dear customer, thank you very much for your support!

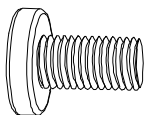
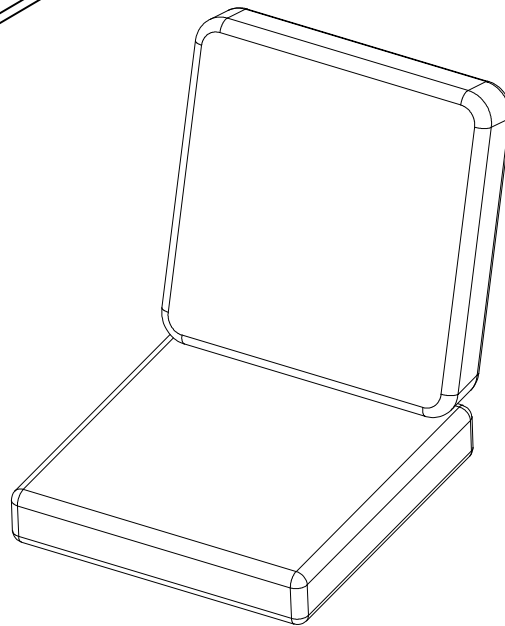
If you have purchased a patio conversation set, the packages may arrive at different times. For detailed tracking information, please contact us.

PARTS LIST

(Swivel Chair)

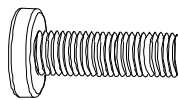


- (A) Chair Base x1**
- (B) U-shaped Fitting x1**
- (C) Chair Back x1**
- (D) Seat Panel x1**
- (E1) Right Arm x1**
(when seated)
- (E2) Left Arm x1**
(when seated)



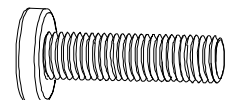
F

Screw (M6x15mm)



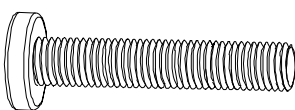
G

Screw (M6x28mm)



H

Screw (M6x35mm)



I

Screw (M6x45mm)



J

Matel Washers



K

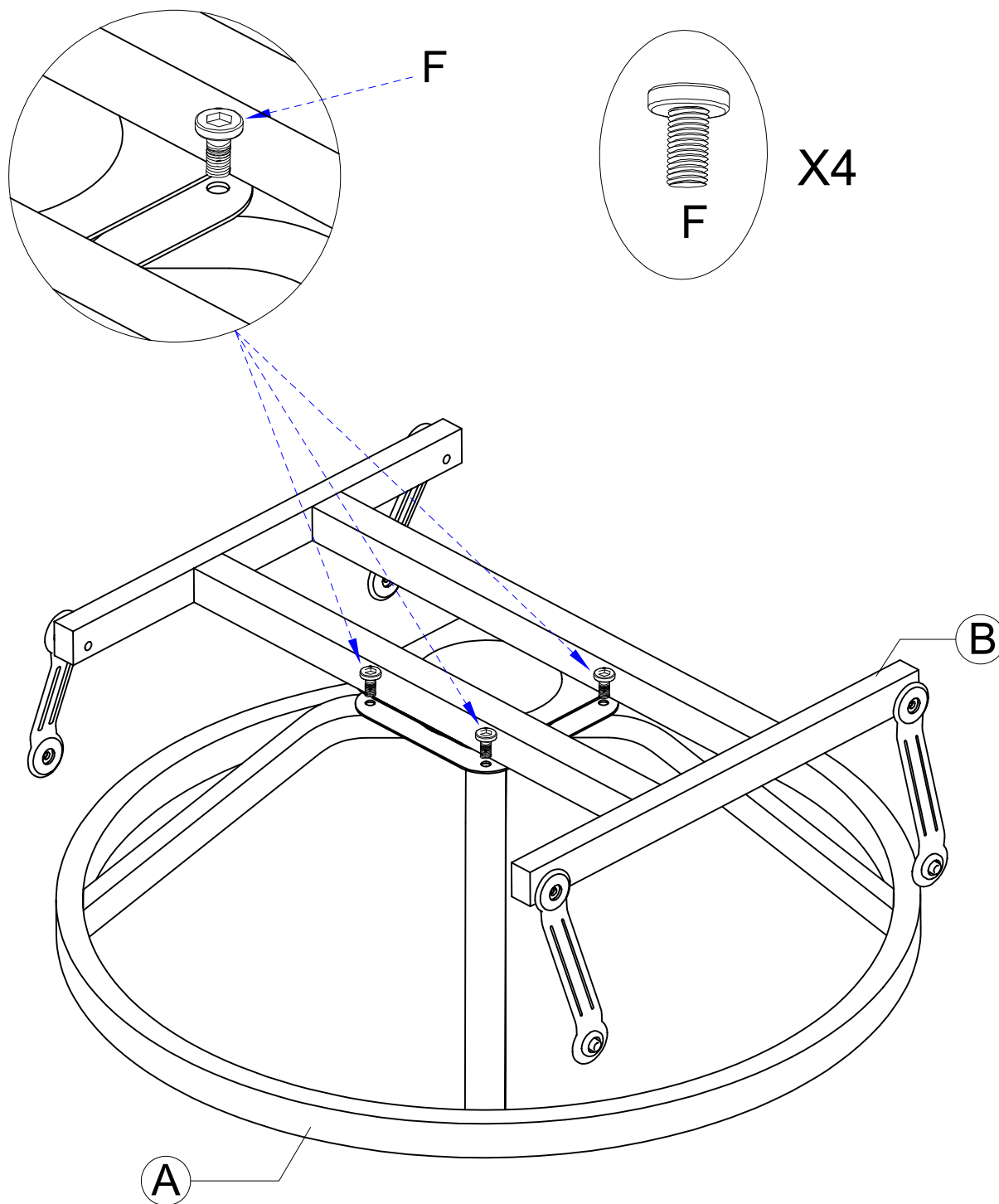
Allan Wrench x1

Swivel Chair Assembly Instruction



Do not fully tighten the screws during initial assembly.
Fully tighten screws only once all pieces which are correctly assembled.

STEP 1

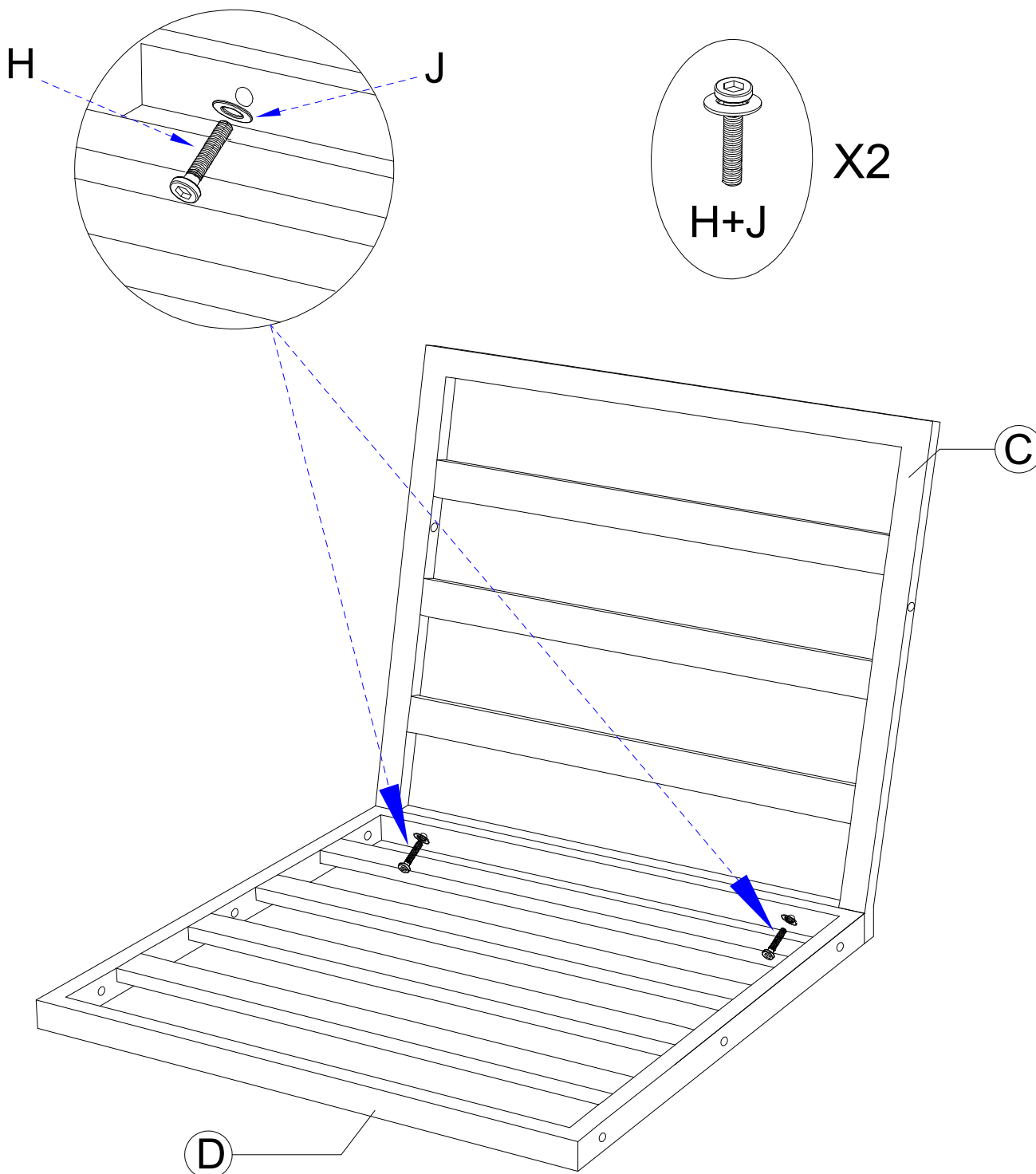


Swivel Chair Assembly Instruction



Do not fully tighten the screws during initial assembly.
Fully tighten screws only once all pieces which are correctly assembled.

STEP 2

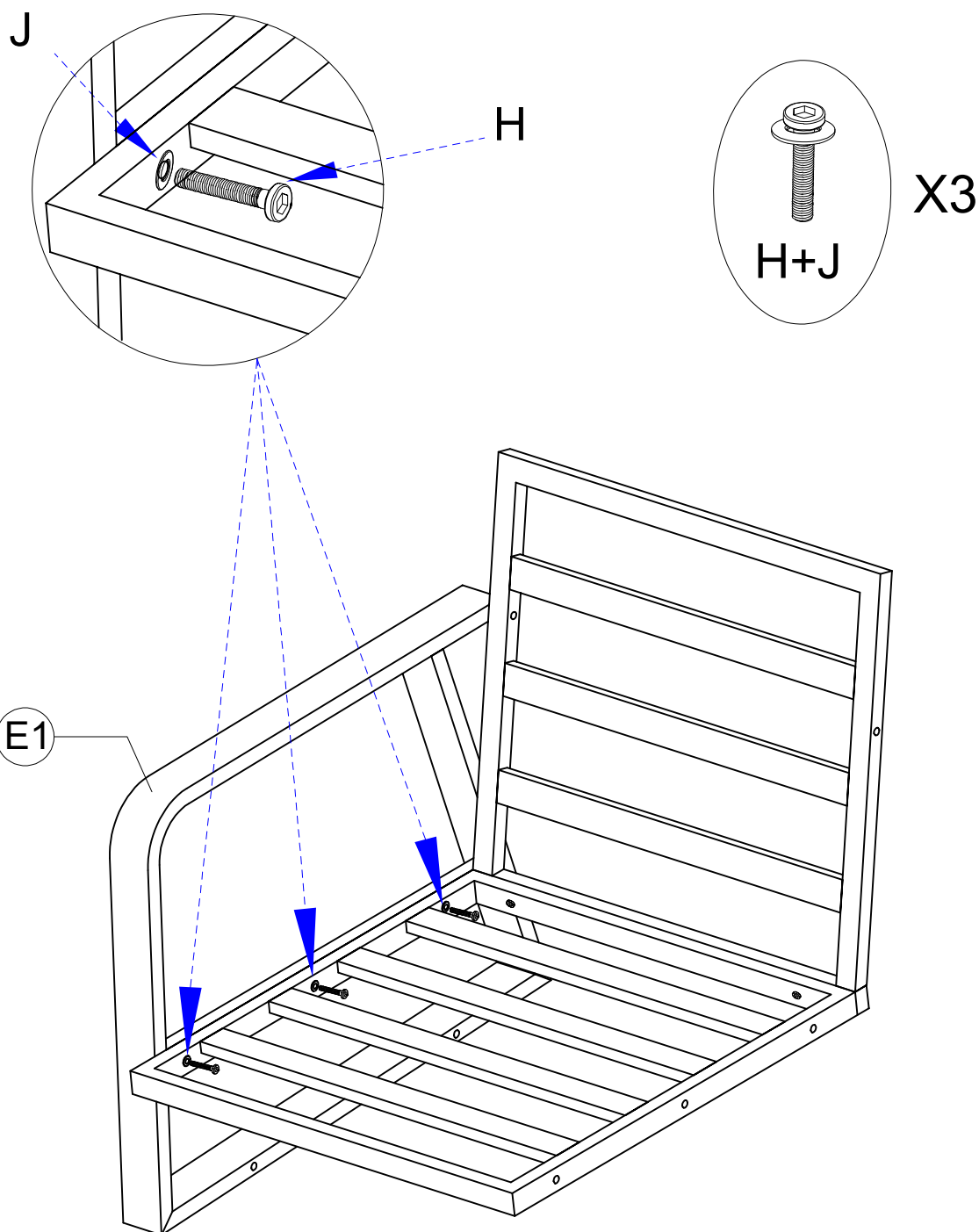


Swivel Chair Assembly Instruction



Do not fully tighten the screws during initial assembly.
Fully tighten screws only once all pieces which are correctly assembled.

STEP 3

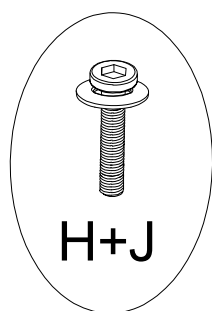


Swivel Chair Assembly Instruction



Do not fully tighten the screws during initial assembly.
Fully tighten screws only once all pieces which are correctly assembled.

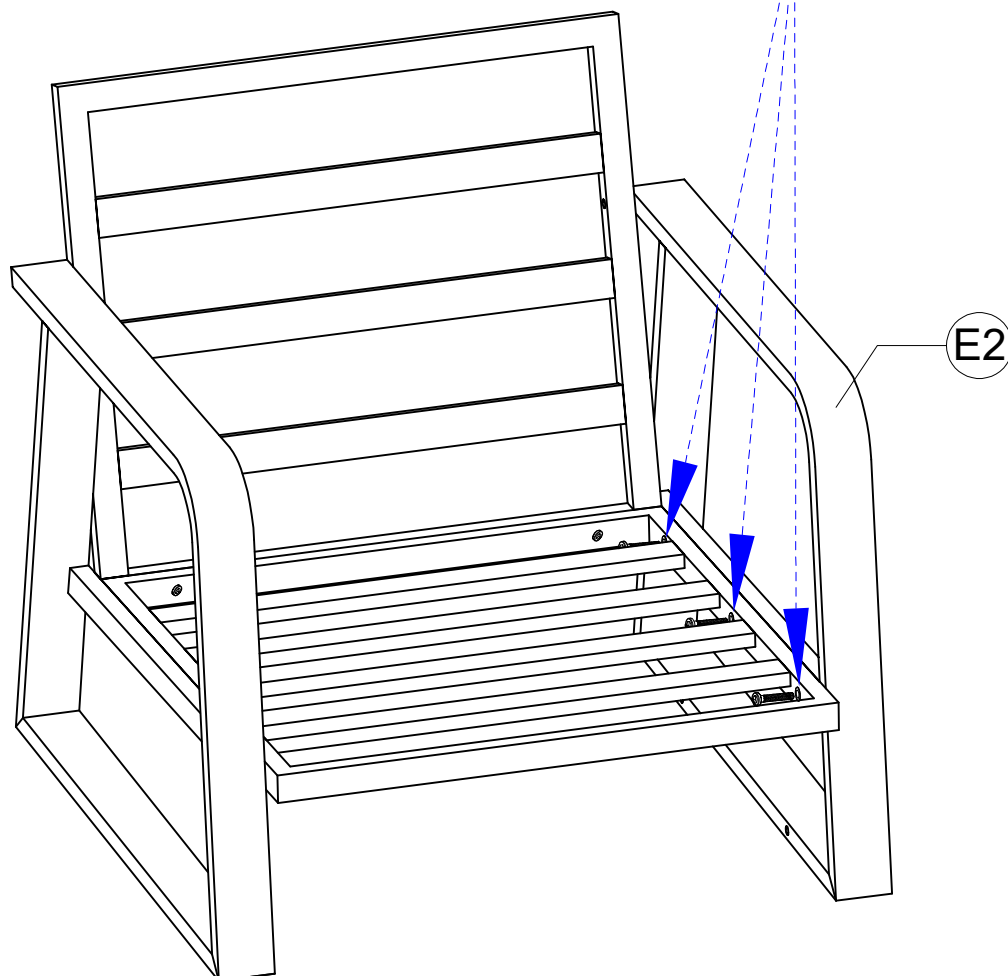
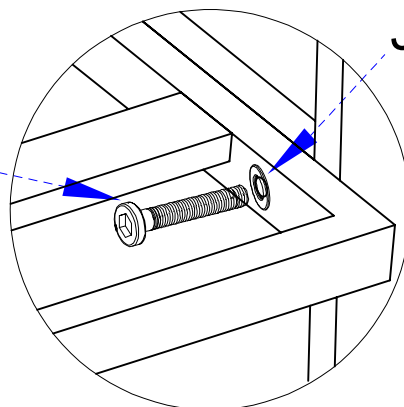
STEP 4



X3

H

J

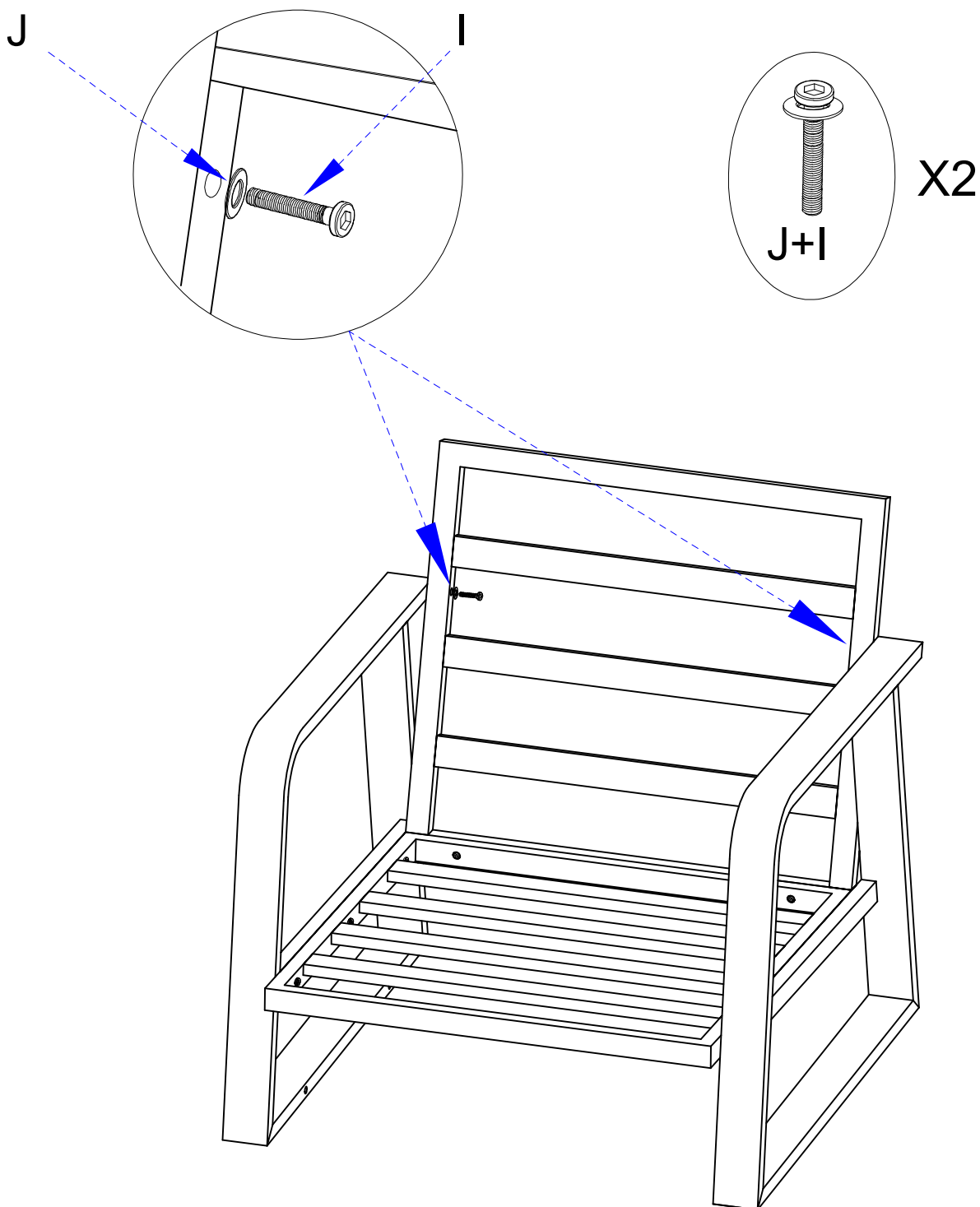


Swivel Chair Assembly Instruction



Do not fully tighten the screws during initial assembly.
Fully tighten screws only once all pieces which are correctly assembled.

STEP 5

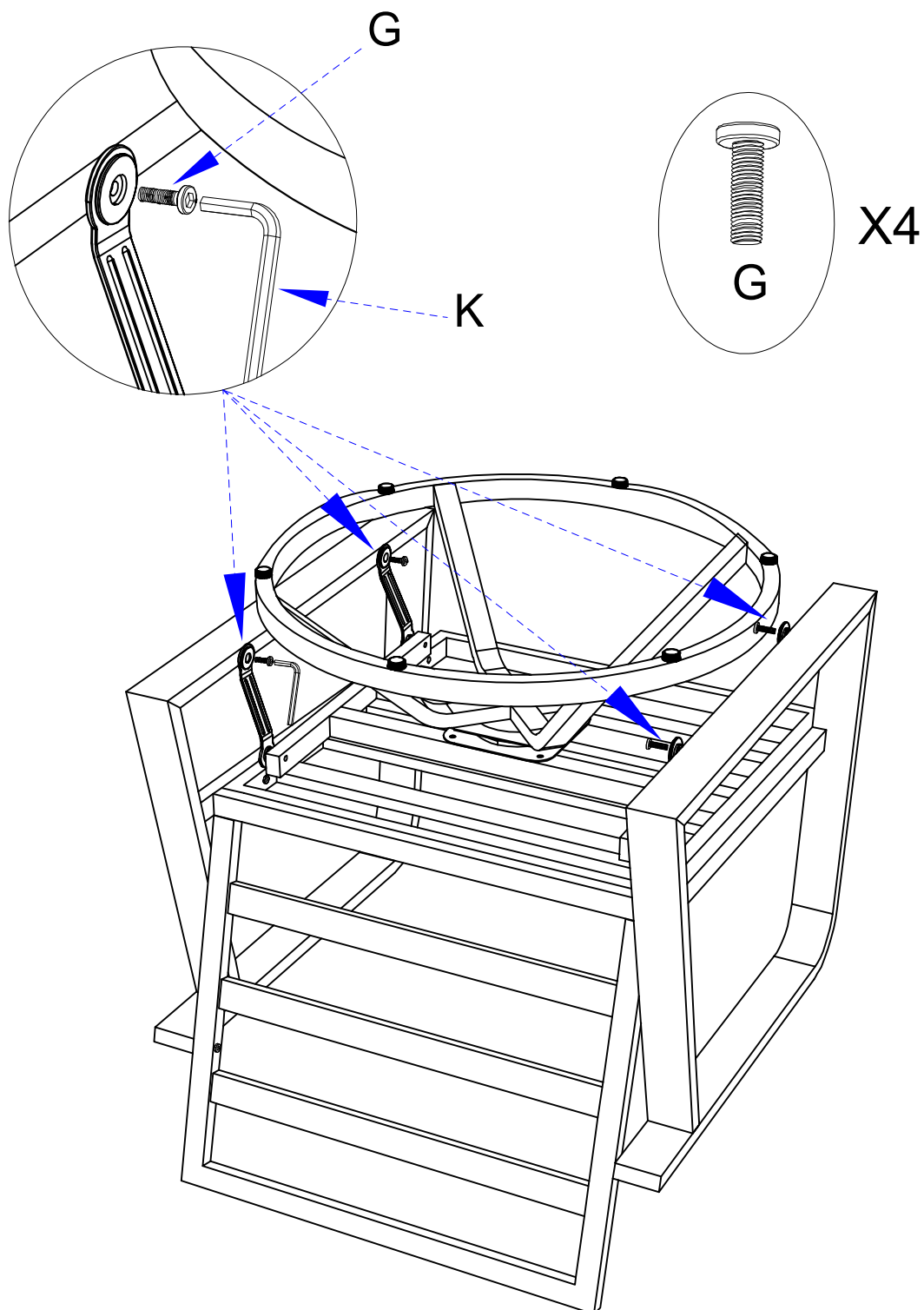


Swivel Chair Assembly Instruction



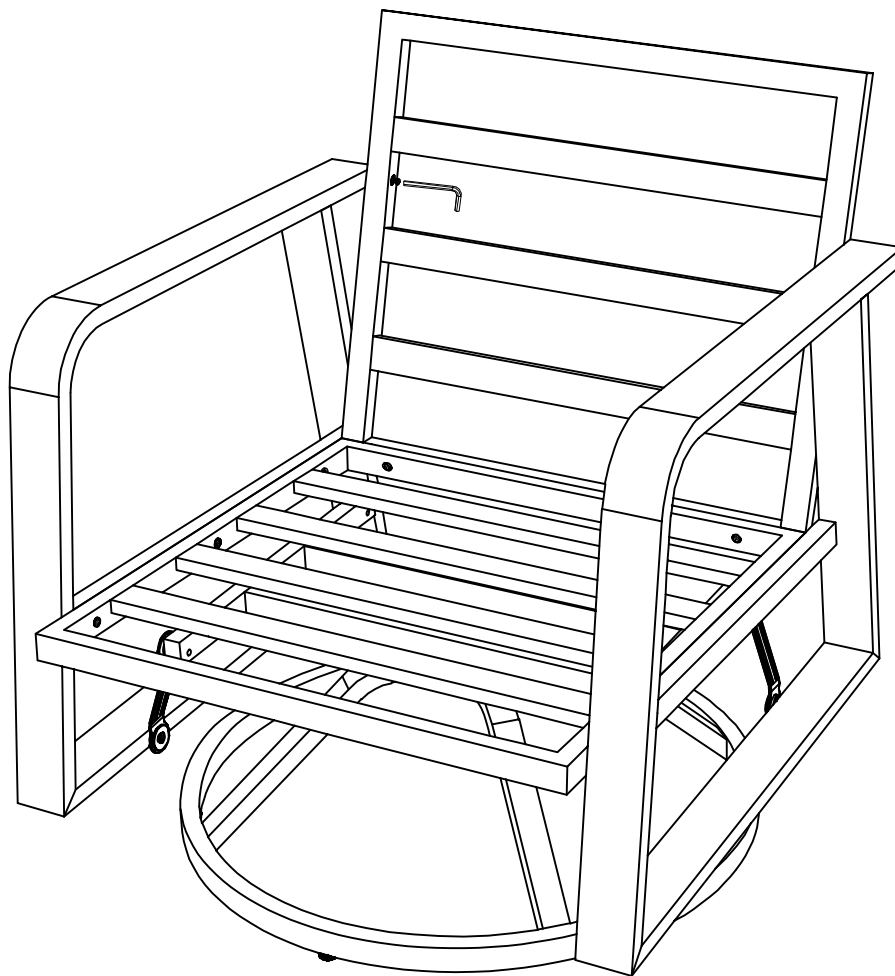
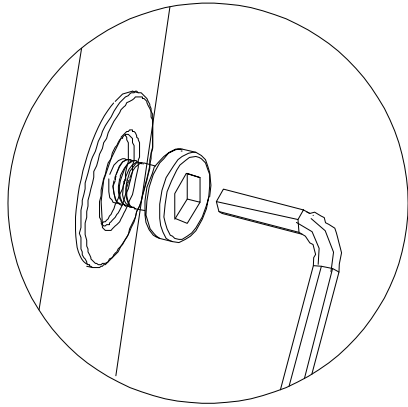
Do not fully tighten the screws during initial assembly.
Fully tighten screws only once all pieces which are correctly assembled.

STEP 6

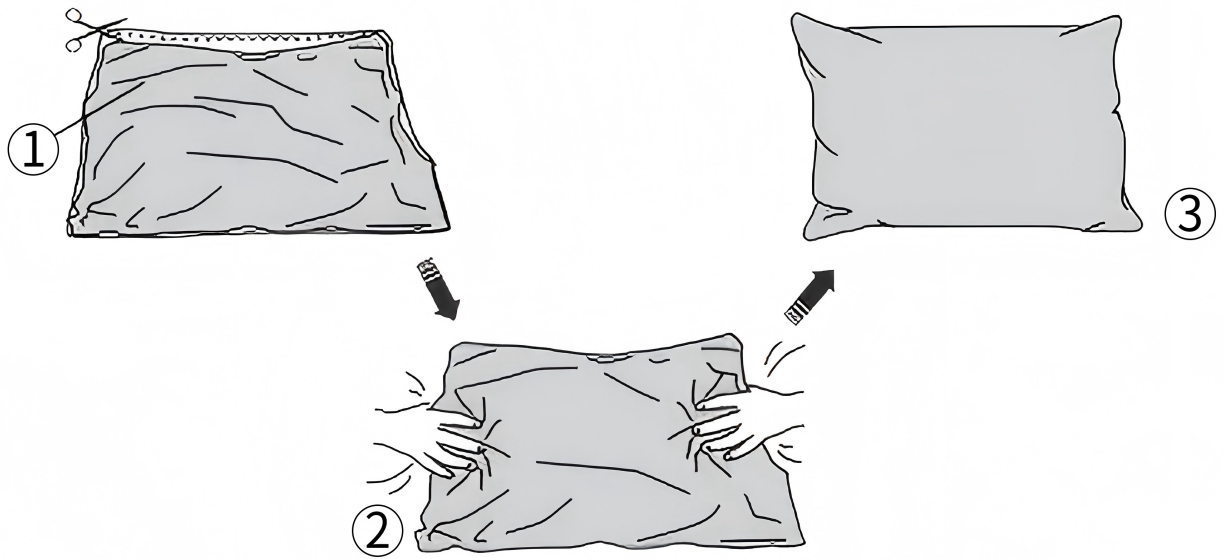


Swivel Chair Assembly Instruction

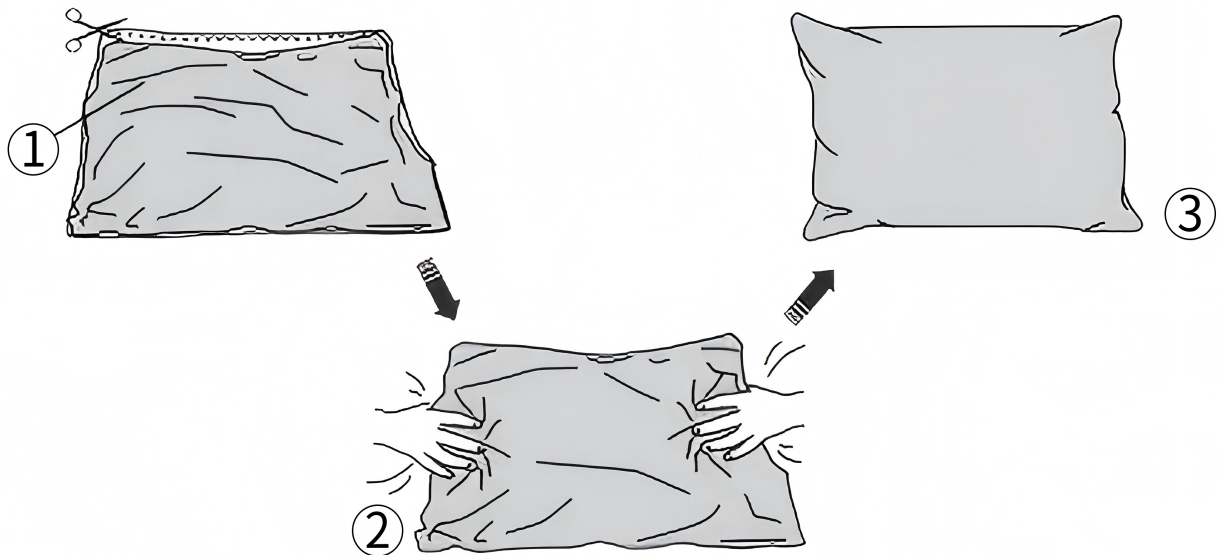
FINISH



Fully tighten all the screws !



Unbox and fluff your cushion, then wait 48 hours for full rebound.



Unbox and fluff your cushion, then wait 48 hours for full rebound.