

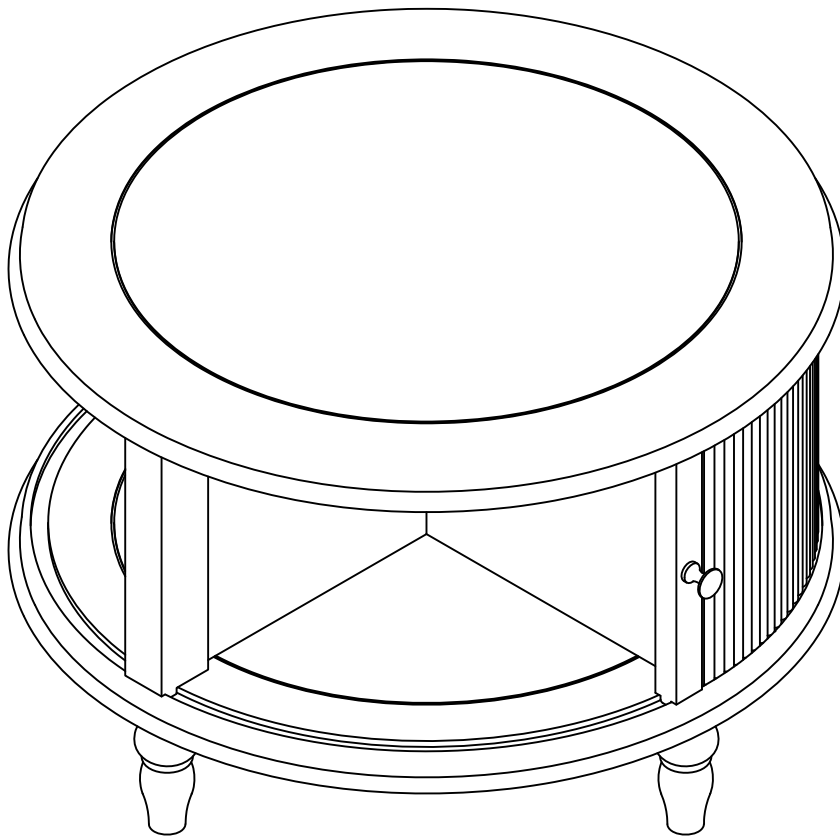
Assembly Instructions

Caution: You must read this before you proceed

Sets often ship in multiple boxes and may arrive a day or two apart.

Coffee Table (S)

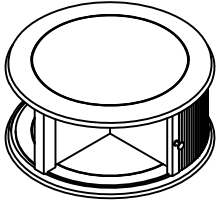

This product is combined with the Coffee Table(L)-sku: W3137P270375 as a set.



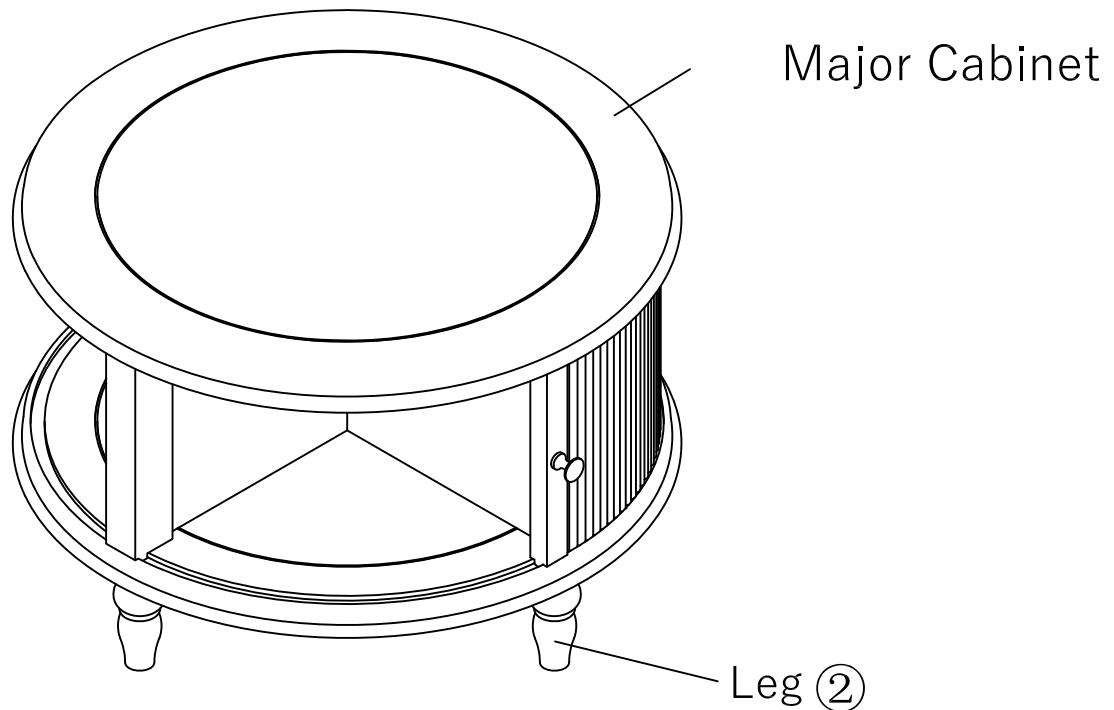
Product name:

Coffee Table(S)

Parts list

Label	Picture	Description	QTY
①	 A technical drawing of a major cabinet, showing a circular top with a flange and a base with four legs.	Major Cabinet	1
②	 A technical drawing of a leg, showing a cylindrical shape with a small protrusion at the top.	Leg	4

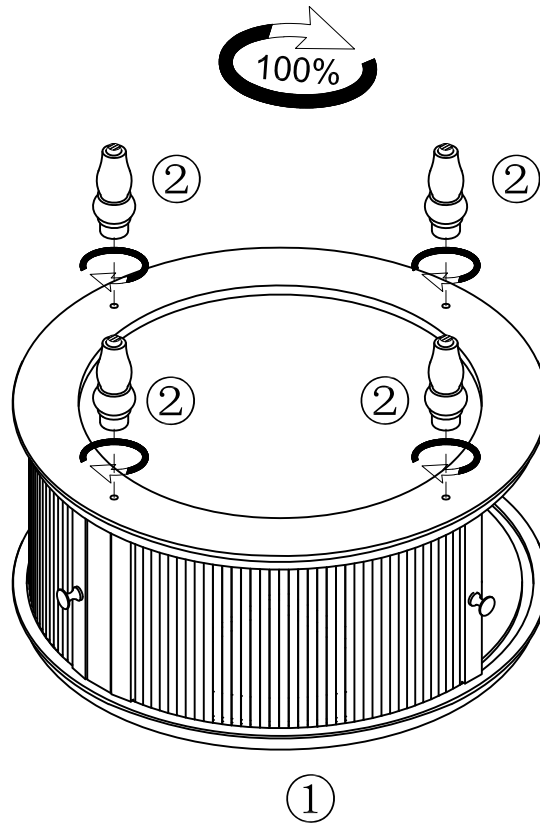
Overview



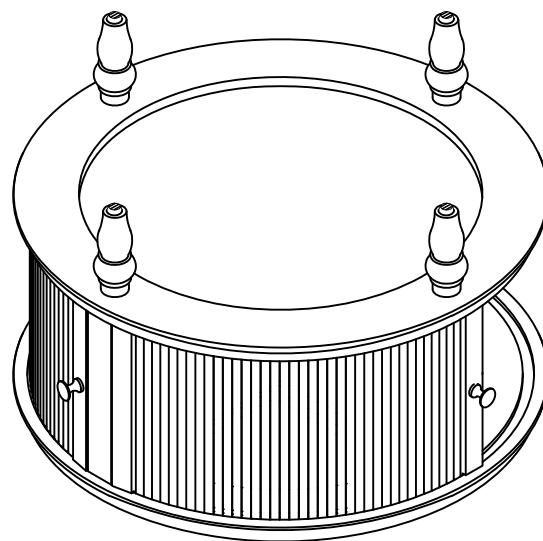
IMPORTANT :

- Read the instructions carefully from cover to cover.
- Do not assemble on flooring or carpet.
- Assemble on a clean non-marring surface (packing foam).
- Save all packaging until finished.
- Do not tighten bolts / screws completely until all bolts / screws are lined up and inserted into holes.
- Do not over tighten screws and bolts to avoid stripping.
- Please always use hand tools to assemble this product and never use power tools.

Step 1



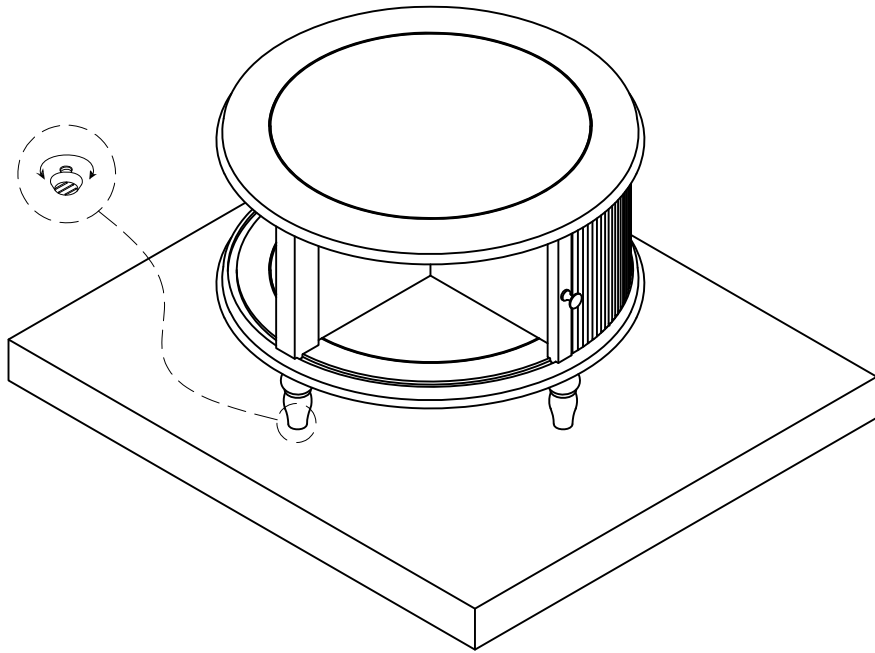
Step 2

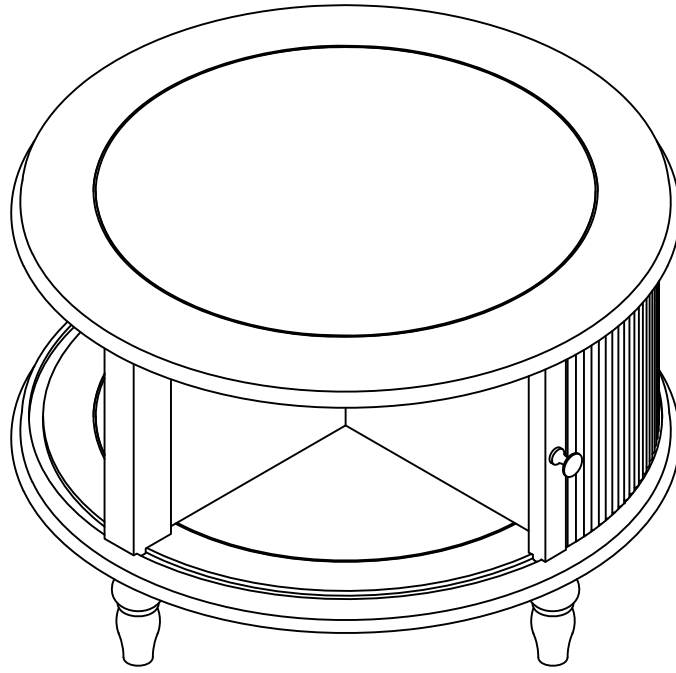


Flip the assembled side table 180° carefully

Step 3

Note: the legs can be adjusted with adjustable leveler.





Your Item is ready for use.
This Item should only be used on a flat, level surface.

Care & Maintenance

- Furniture may scratch the floor. We recommend using furniture pads to protect your floors.
- Do not put hot items directly on furniture surface.
- Do not clean furniture with harsh cleansers or polishers.
- Do not place furniture under direct sunlight.
- Do not place furniture near heating or cooling vents.
- Do not expose the product to high temperatures or humid environments.
- Do not write on furniture without a padded barrier to protect the surface.
- Do not place furniture outside. For indoor use only.
- Stains may be removed with mild soap solution and damp cloth.
- Children should not climb or jump on the furniture.
- Dust and clean up spills using a clean, non-colored, lint-free cloth.
- Regularly check screws to ensure stability.

Dear Customer,

Thank you for your purchase! We are committed to providing you with high-quality products and services. We hope you enjoy the comfort and convenience brought by this Item. If you have any further questions or any quality issues, please show the below number and don't hesitate to contact our Customer Service People:

Assembly Instructions

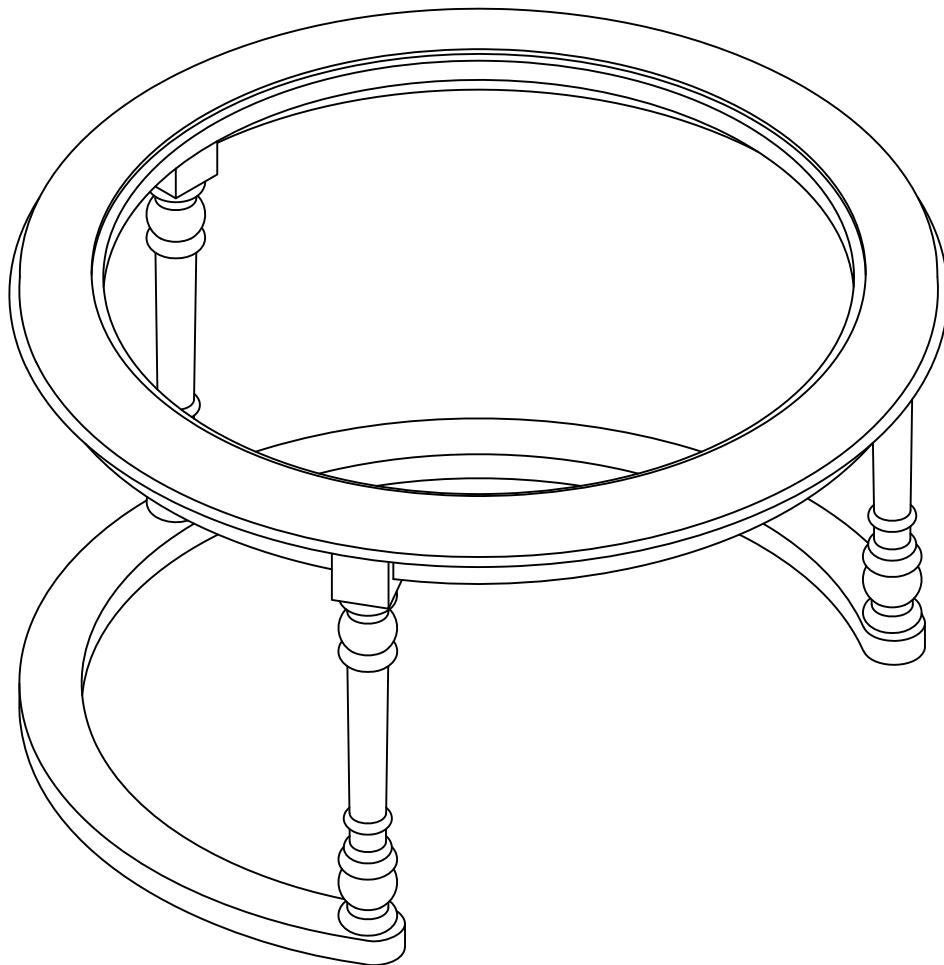
Caution: You must read this before you proceed

Sets often ship in multiple boxes and may arrive a day or two apart.

Handle the glass tabletop carefully during installation to avoid damage.

Coffee Table (L)

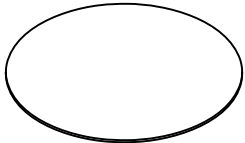
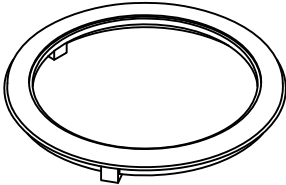
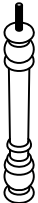
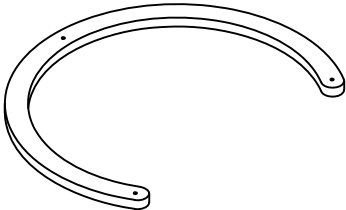
This product is combined with the Coffee Table(S)-sku: W3137P270377 as a set.



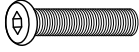


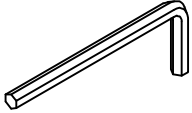
Product name:

Coffee Table(L)

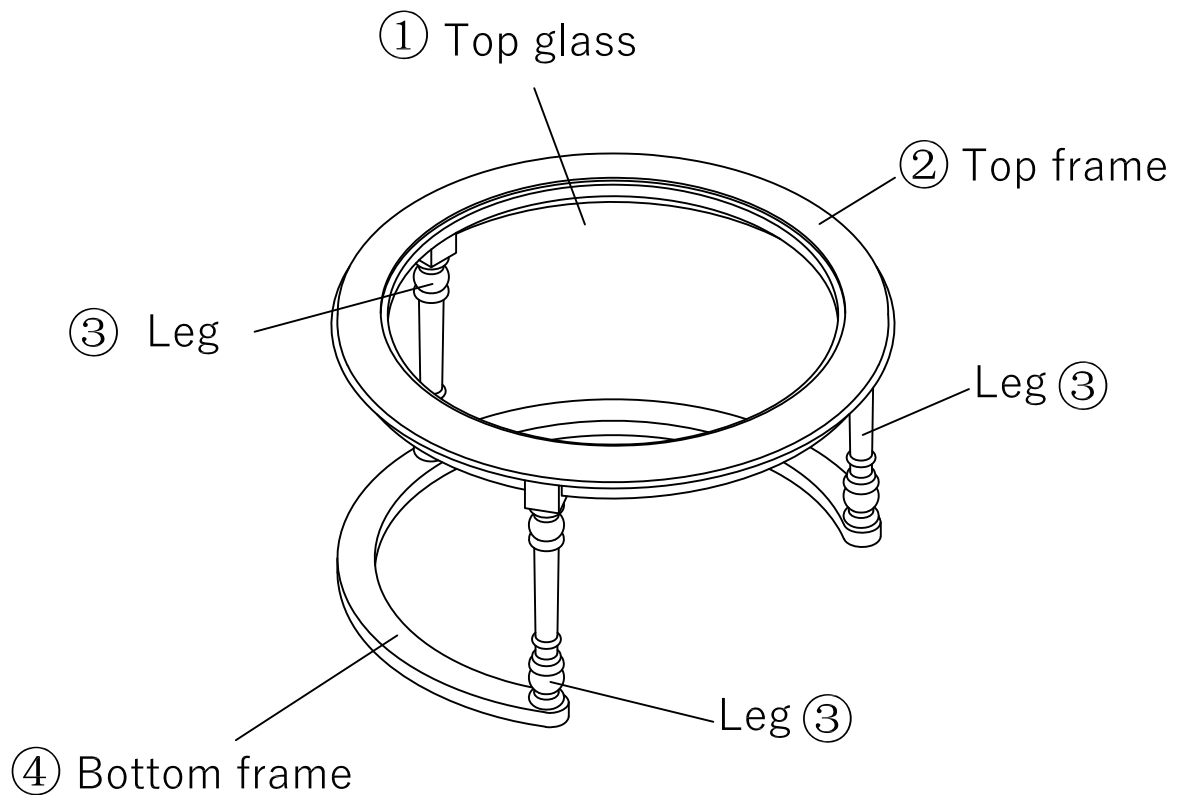
Parts list

Label	Picture	Description	QTY
①		Top glass	1
②		Top frame	1
③		Leg	3
④		Bottom frame	1

Hardware

Label	Picture	Description	QTY
A		Bolt (1/4" x 2")	3
B		Spring Washer	3
C		Flat Washer	3
D		Allen Wrench	1

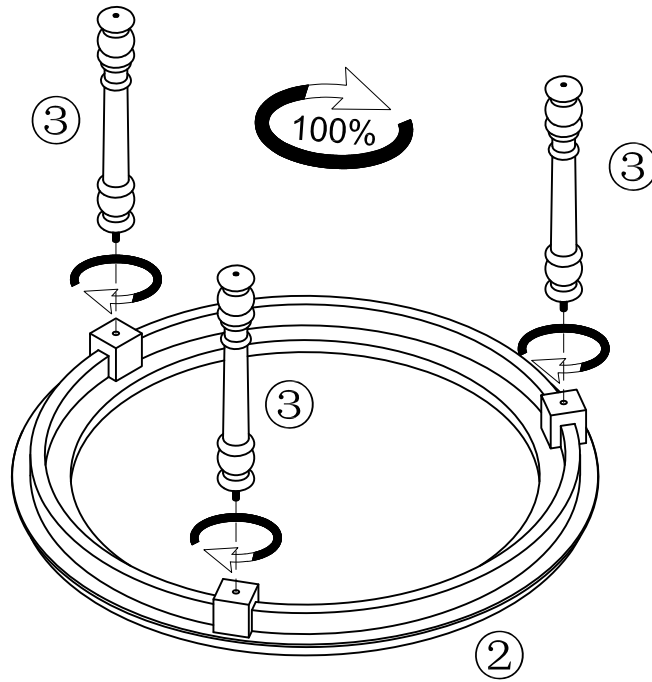
Overview



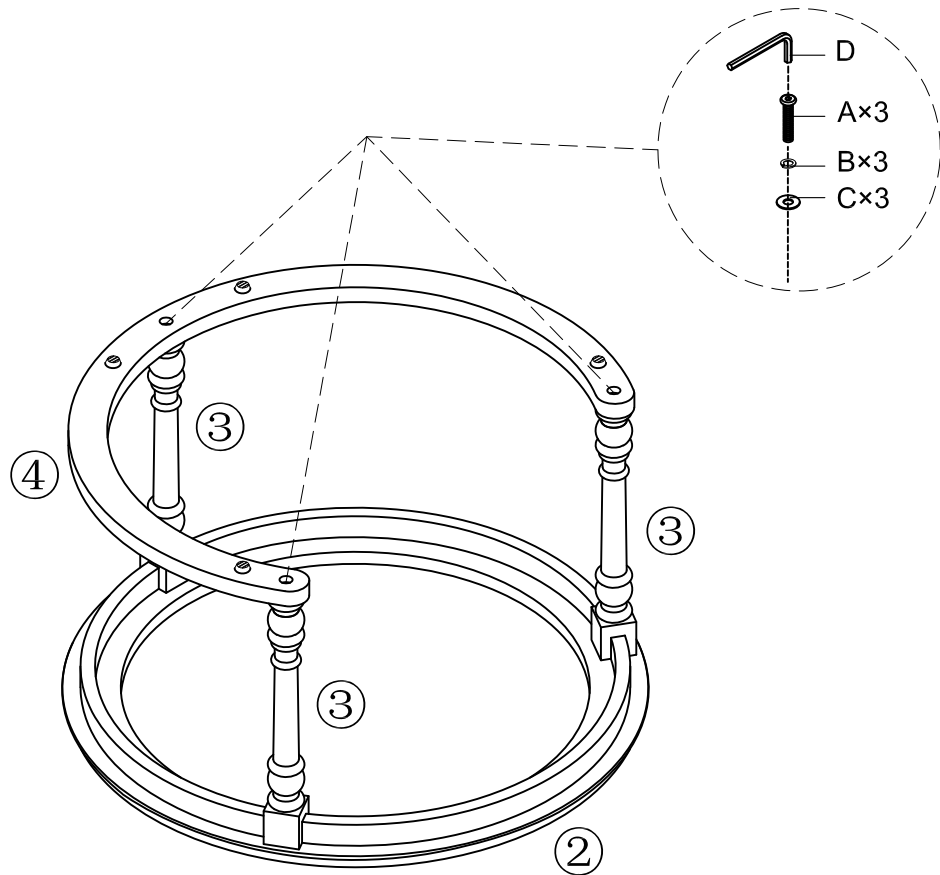
IMPORTANT :

- Read the instructions carefully from cover to cover.
- Do not assemble on flooring or carpet.
- Assemble on a clean non-marring surface (packing foam).
- Save all packaging until finished.
- Do not tighten bolts / screws completely until all bolts / screws are lined up and inserted into holes.
- Do not over tighten screws and bolts to avoid stripping.
- Please always use hand tools to assemble this product and never use power tools.

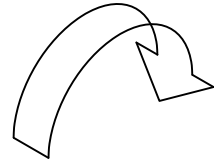
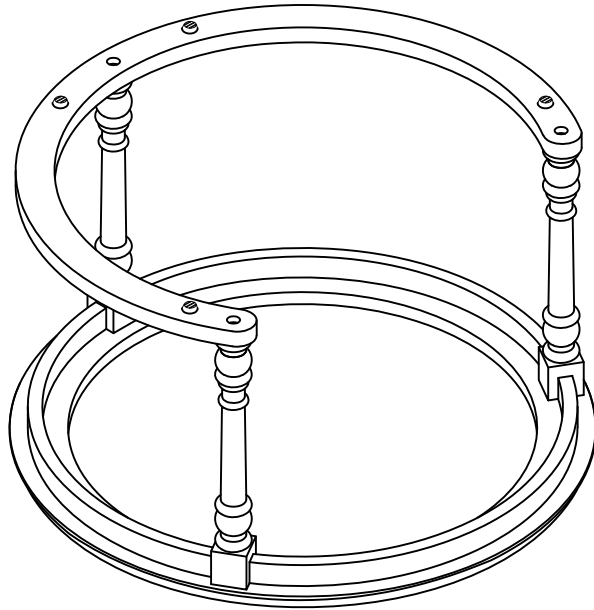
Step 1



Step 2



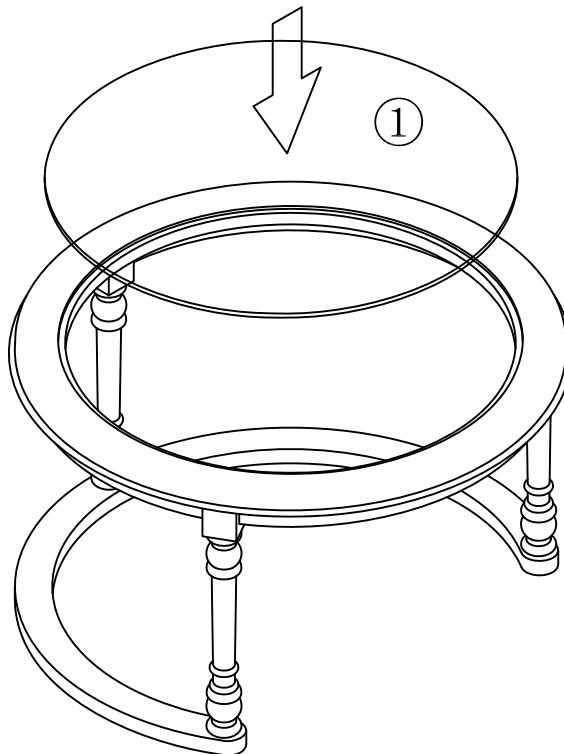
Step 3



Flip the assembled side table 180° carefully

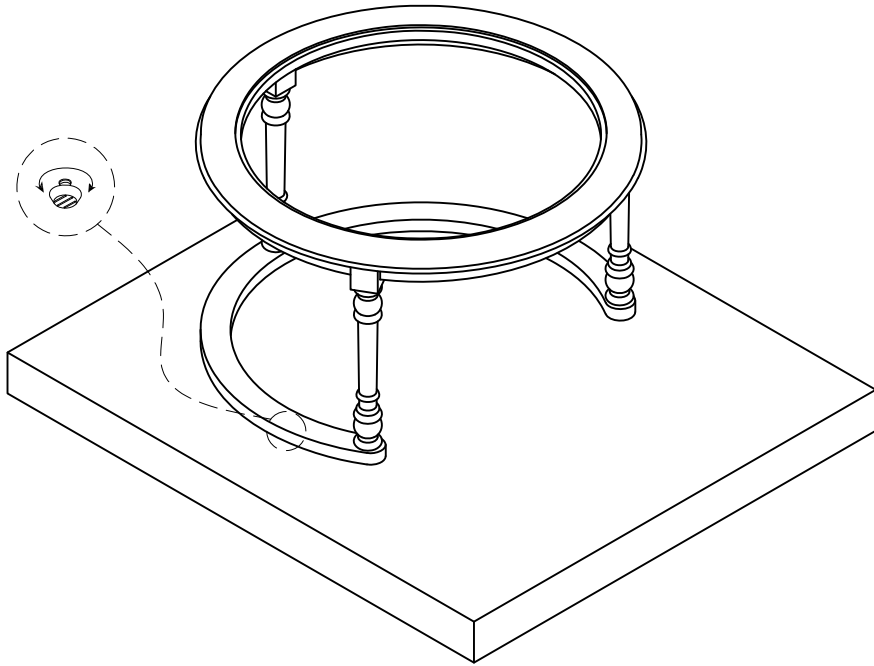
Step 4

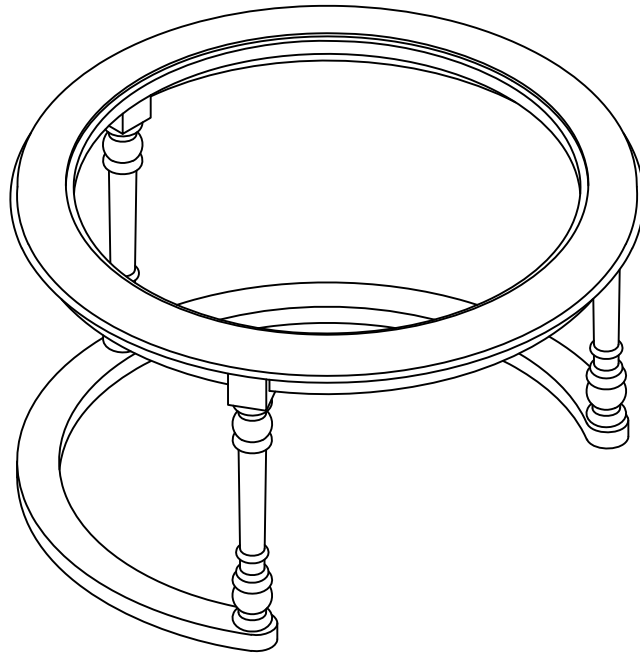
Note: Holding glass tabletop with hand across the round top frame when you put it on.



Step 5

Note: the legs can be adjusted with adjustable leveler.





Your Item is ready for use.
This Item should only be used on a flat, level surface.

Care & Maintenance

- Furniture may scratch the floor. We recommend using furniture pads to protect your floors.
- Do not place heavy objects on the glass surface.
- Avoid scratching the glass surface with sharp objects.
- Do not put hot items directly on furniture surface.
- Do not clean furniture with harsh cleansers or polishers.
- Do not place furniture under direct sunlight.
- Do not place furniture near heating or cooling vents.
- Do not expose the product to high temperatures or humid environments.
- Do not write on furniture without a padded barrier to protect the surface.
- Do not place furniture outside. For indoor use only.
- Stains may be removed with mild soap solution and damp cloth.
- Children should not climb or jump on the furniture.
- Dust and clean up spills using a clean, non - colored, lint - free cloth.
- Regularly check screws to ensure stability.

Dear Customer,

Thank you for your purchase!

We are committed to providing you with high-quality products and services. We hope you enjoy the comfort and convenience brought by this Item. If you have any further questions or any quality issues, please show the below number and don't hesitate to contact our Customer Service People: