

# *ASSEMBLY INSTRUCTIONS*



***Bench***

# ASSEMBLY INSTRUCTIONS

## ASSEMBLY TIPS:

1. Remove hardware from box and sort by size.
2. Please check to see that all hardware and parts are present prior to start of assembly.
3. Please follow attached instruction in the same sequence as numbered to assure fast & easy assembly.



### WARNING!

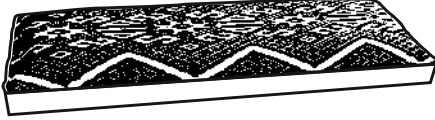
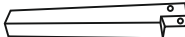
1. Don't attempt to repair or modify parts that are broken or defective. Please contact the store immediately.
2. This product is for home use only and not intended for commercial establishment.



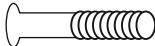


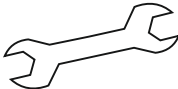
ASSEMBLY TIME

10 MINUTES

## PARTS IDENTIFICATION

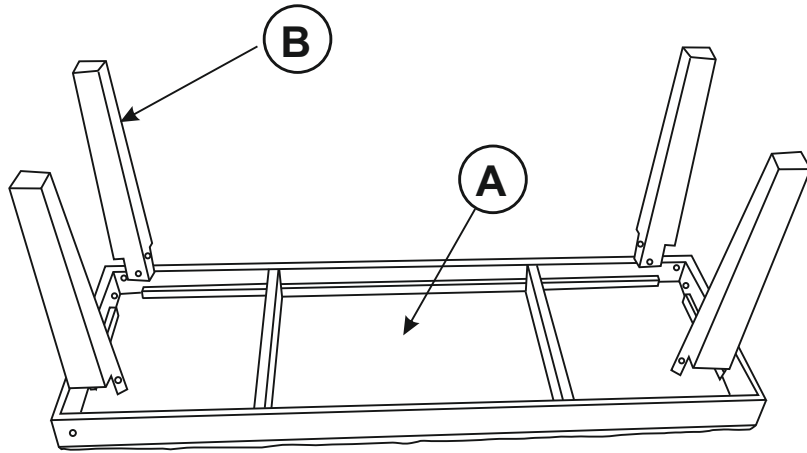
A	SEAT		1PC
B	LEG		4PCS

## HARDWARE IDENTIFICATION

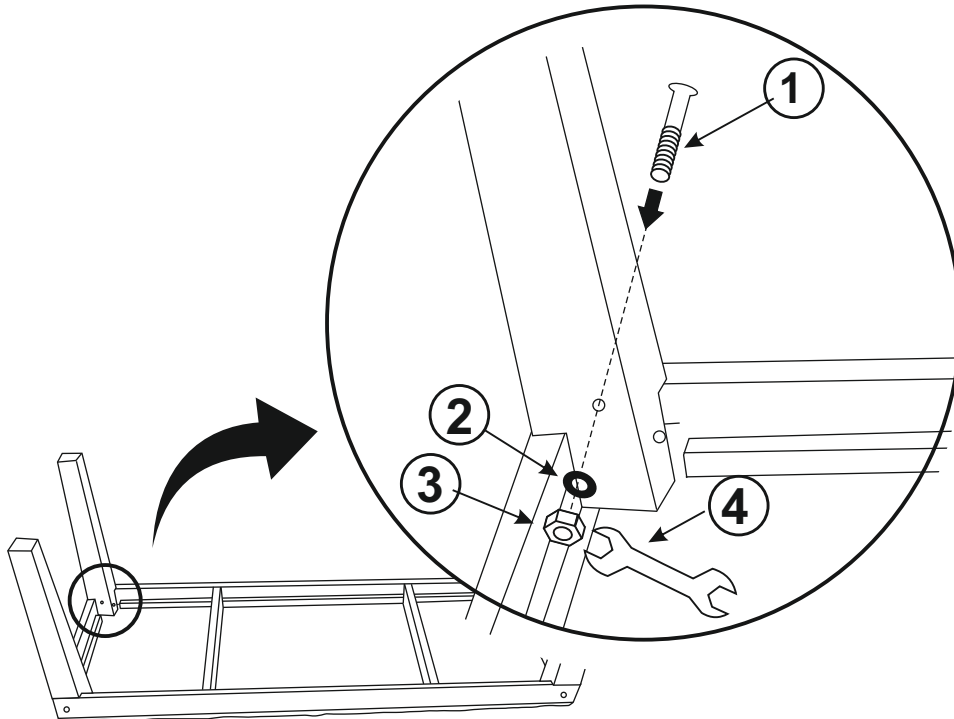
1	<b>BOLT</b> (80x20x20 mm - BLK)		8PCS
2	<b>FLAT WASHER</b> (25x25 mm - BLK)		8PCS
3	<b>HEX NUT</b> (20x20 mm - BLK)		8PCS
4	<b>WRENCH</b> (140x30 mm - WHT)		1PC

# ASSEMBLY INSTRUCTIONS

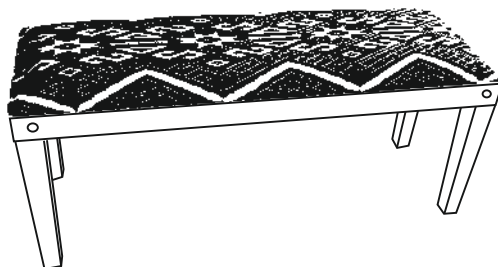
## STEP 1

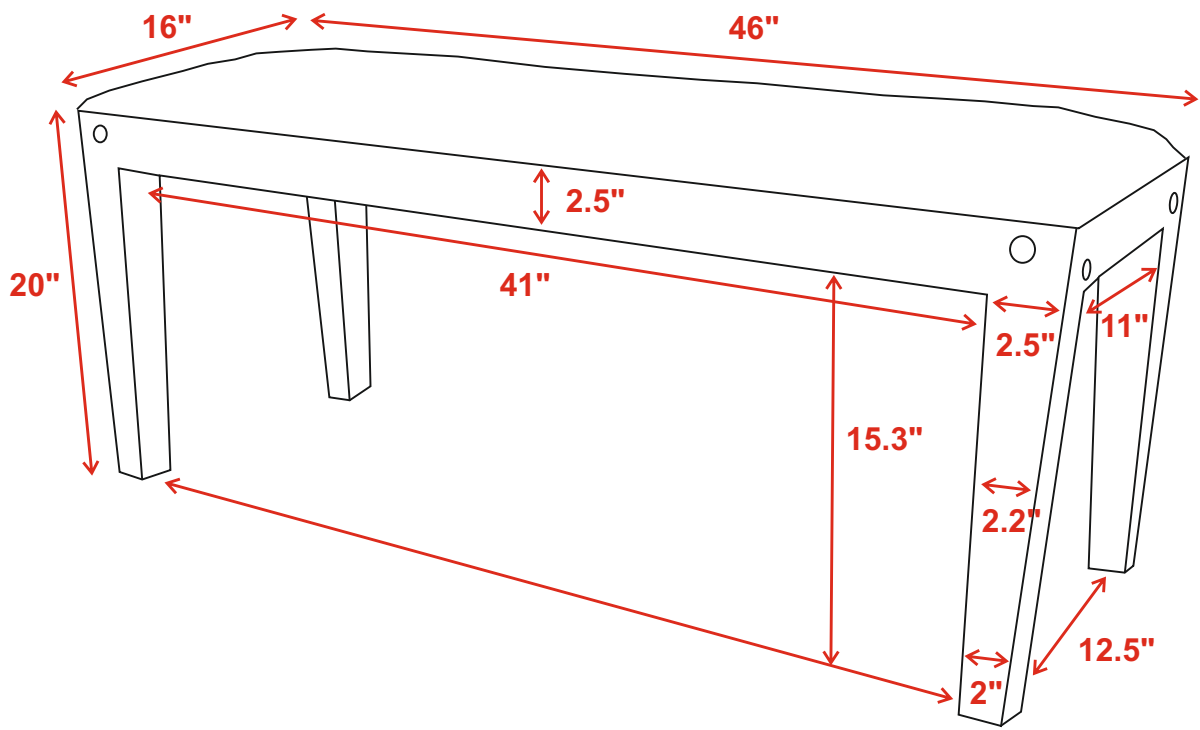


## STEP 2



## STEP 3 **COMPLETE**





**Note : Dimension tolerance  $\pm 5\%$**