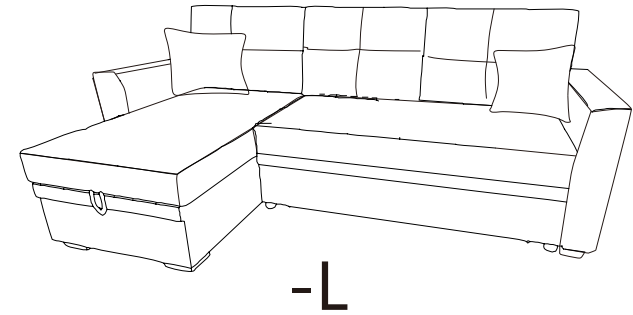
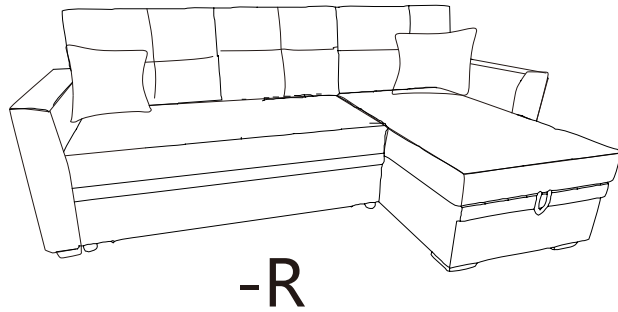
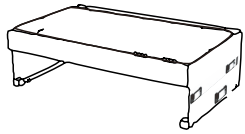


ASSEMBLY INSTRUCTION

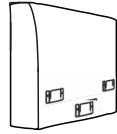


PARTS LIST



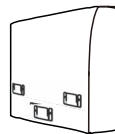
A

x1



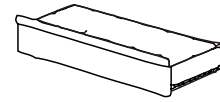
B

x1



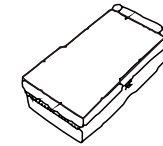
C

x1



D

x1



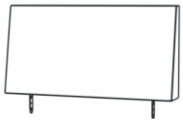
E

x1



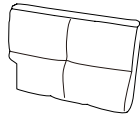
F

x1



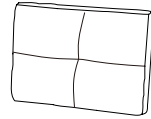
G

x1



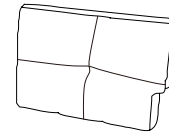
H

x1



I

x1



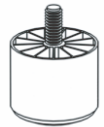
J

x1



K

x6



L

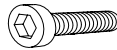
x6

HARDWARE LIST



1

x8



2

x18



3

x18



4

x1



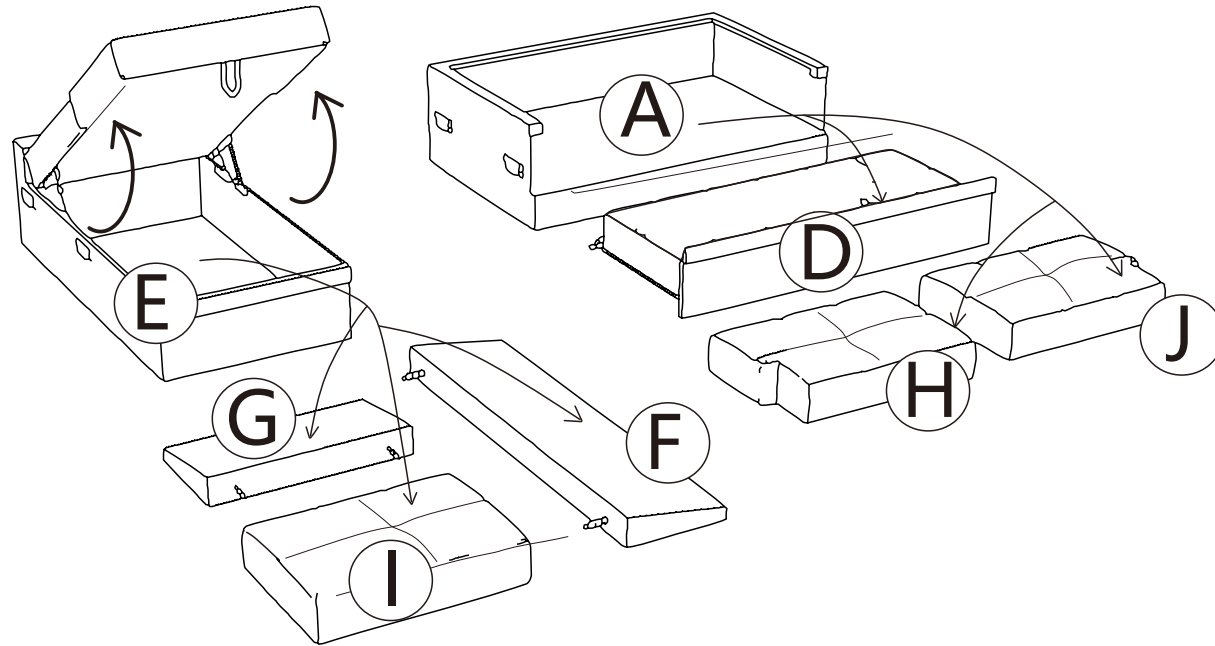
5

x4

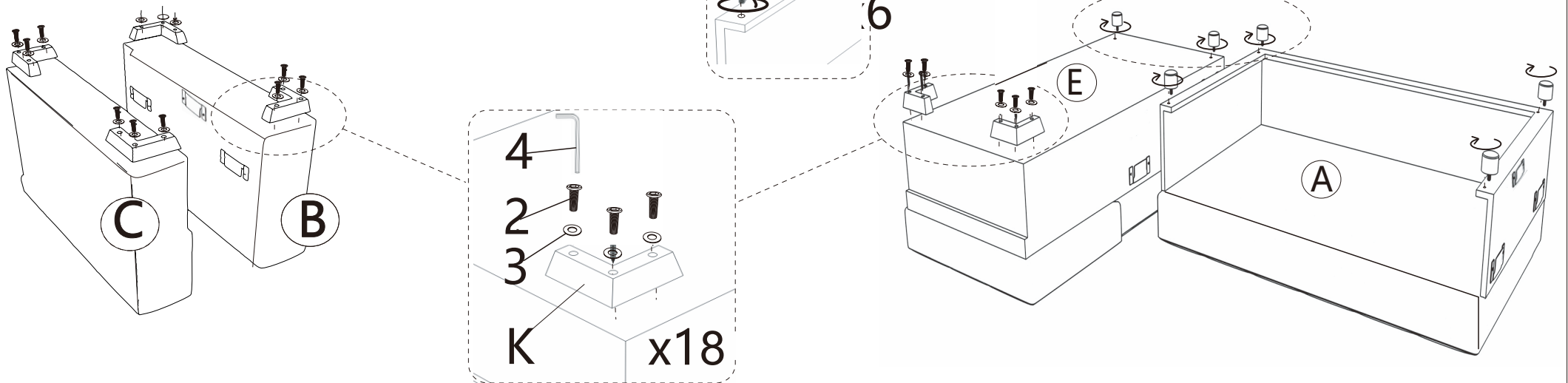
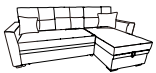


6

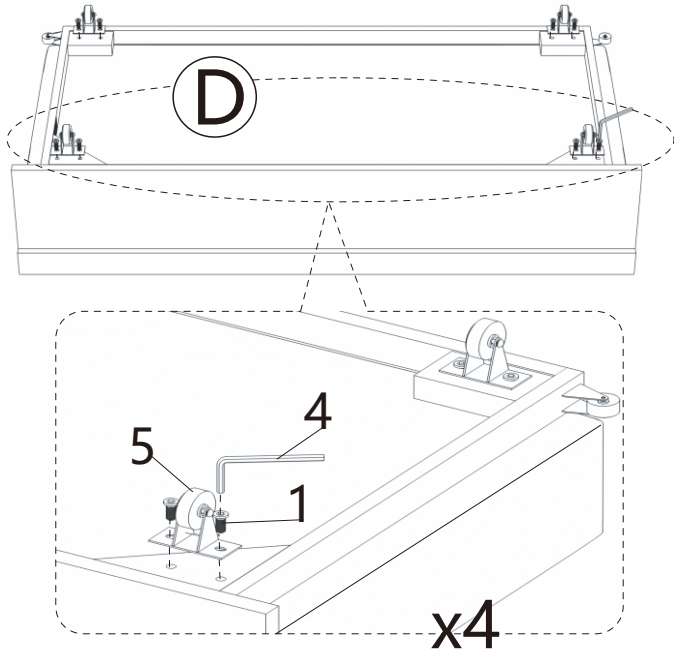
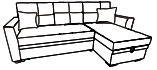
x2



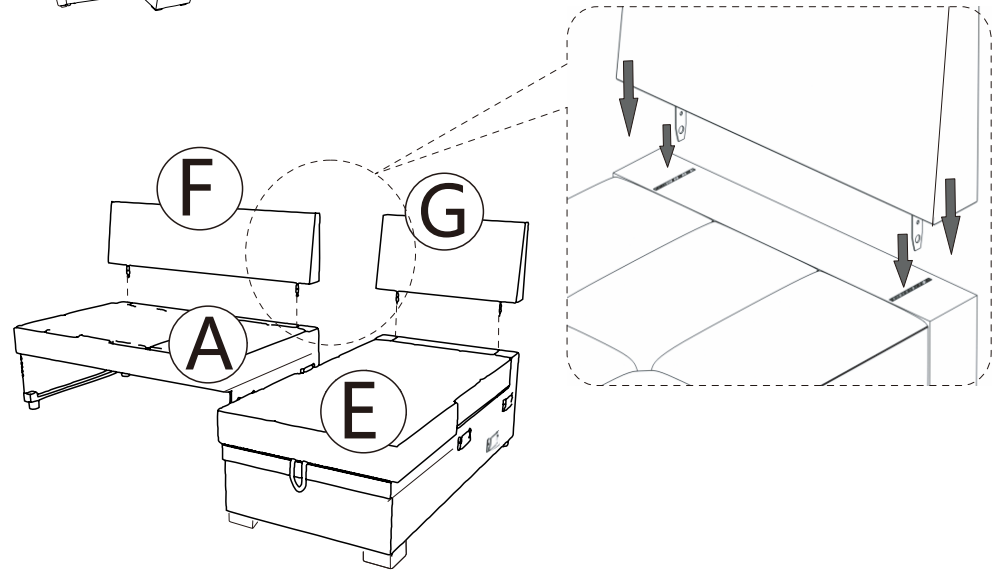
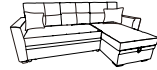
Step 1-R



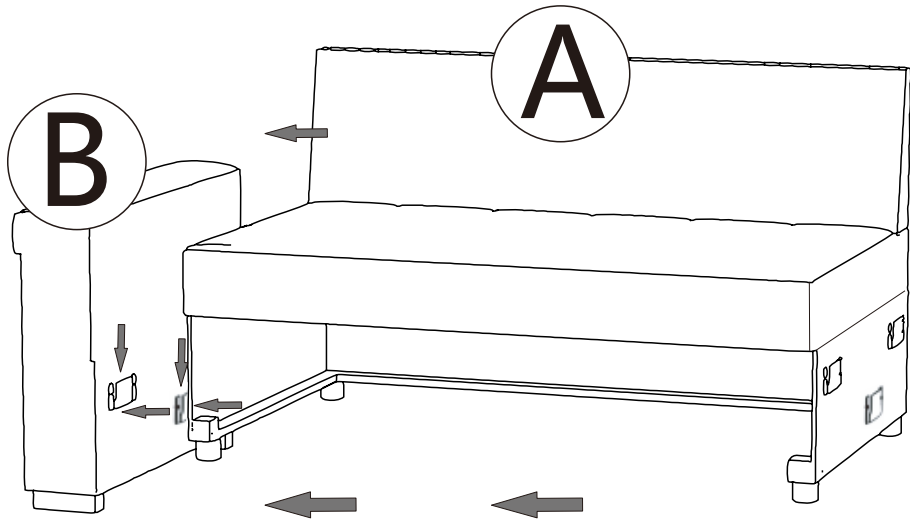
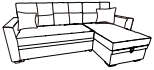
Step2-R



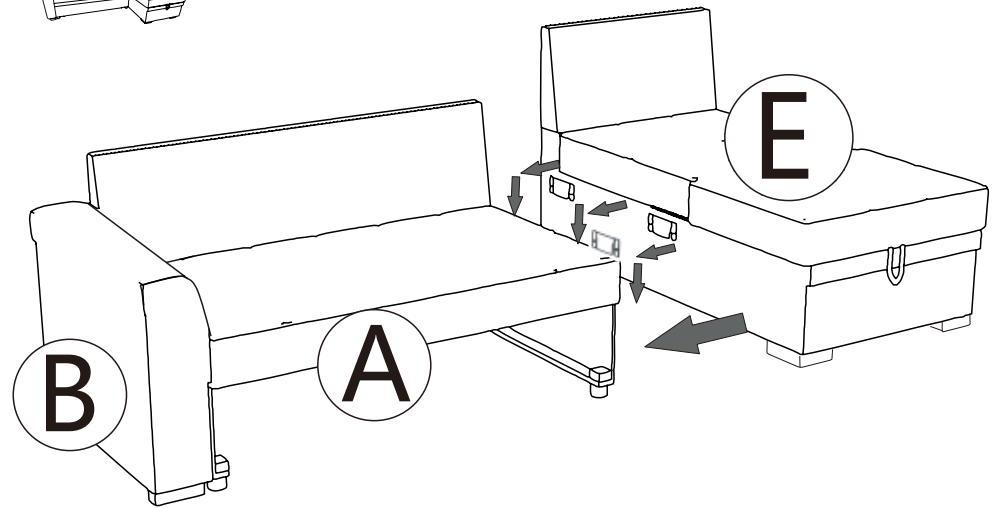
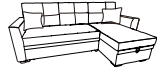
Step3-R



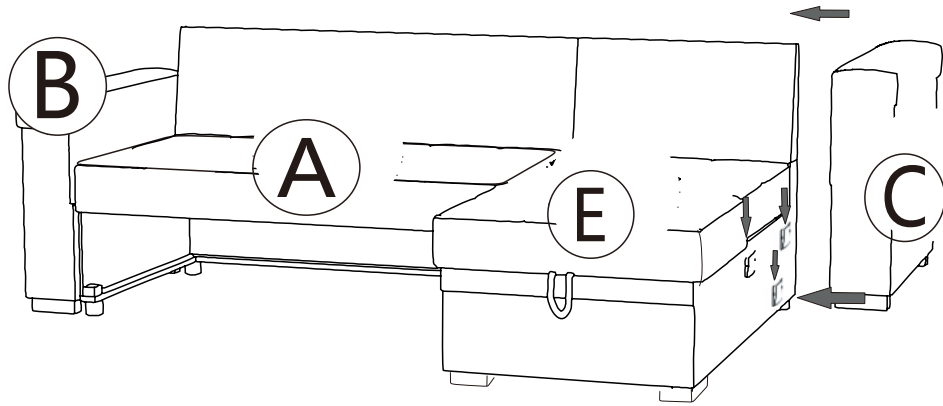
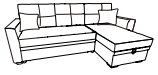
Step4-R



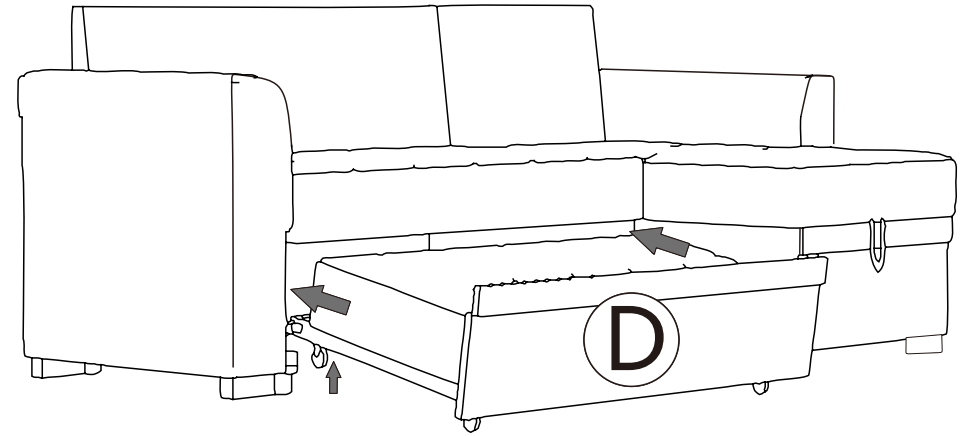
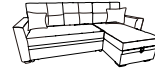
Step5-R



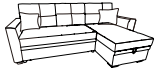
Step6-R



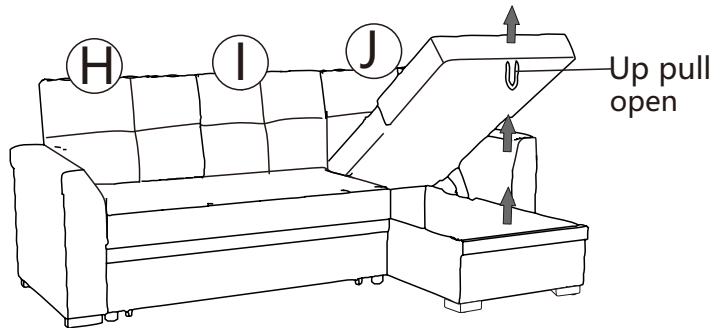
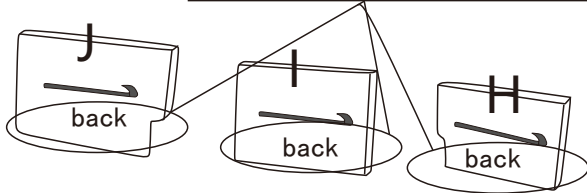
Step7-R



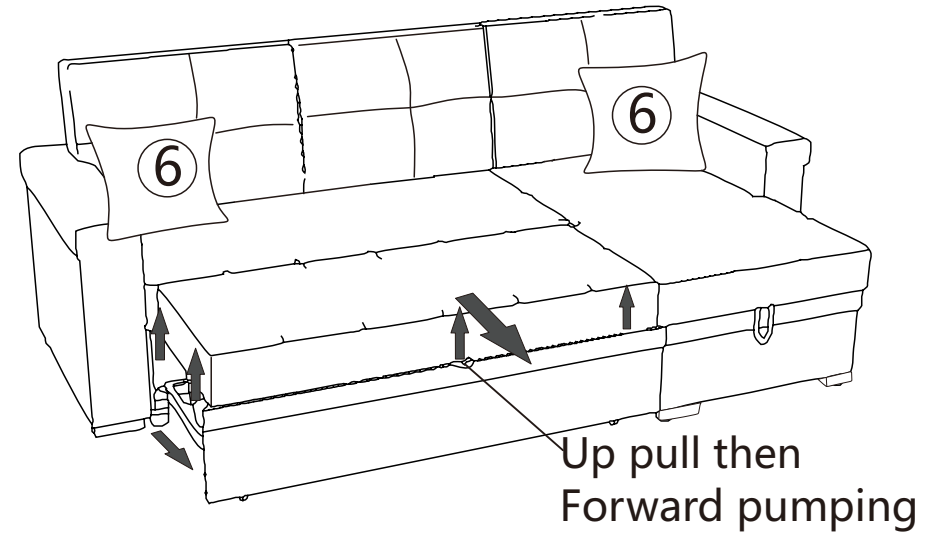
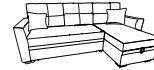
Step8-R



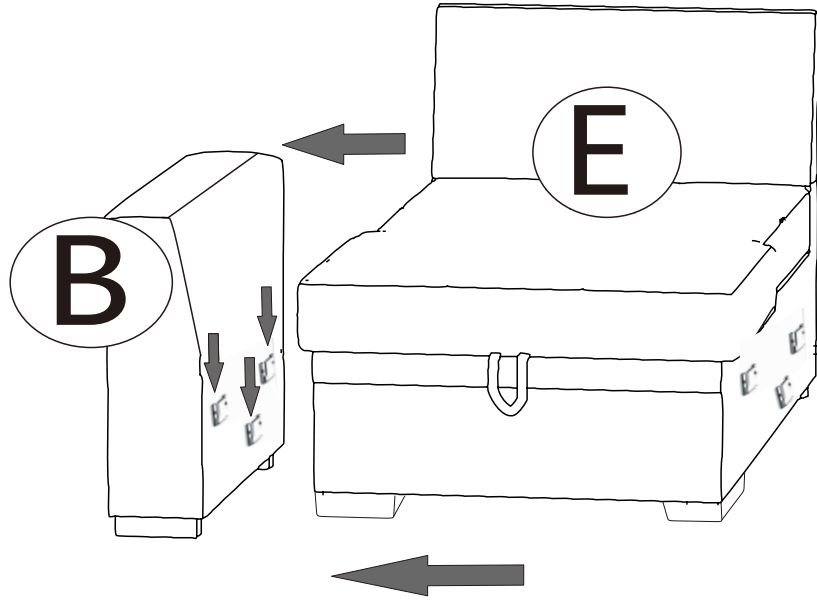
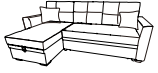
Please kindly remove the black cover tape from the velcro before you place the cushion on top.



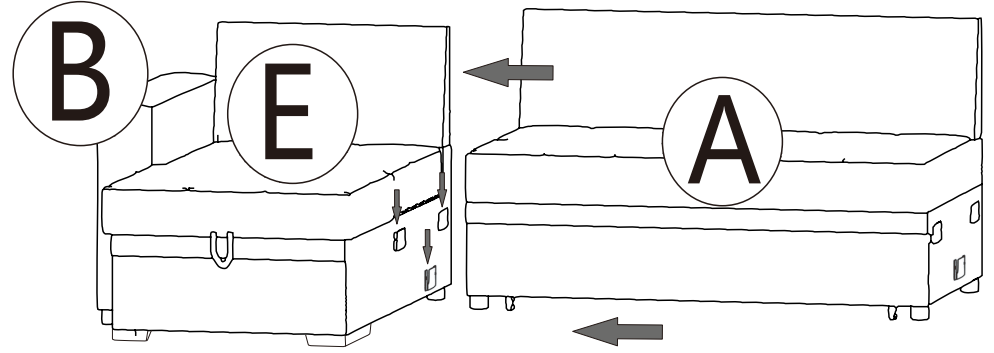
Step9-R



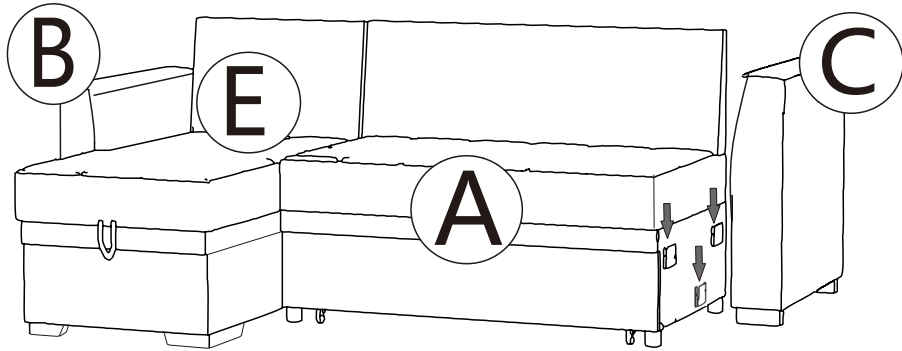
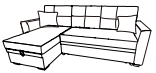
Step1-L



Step2-L



Step3-L



Step4-L

