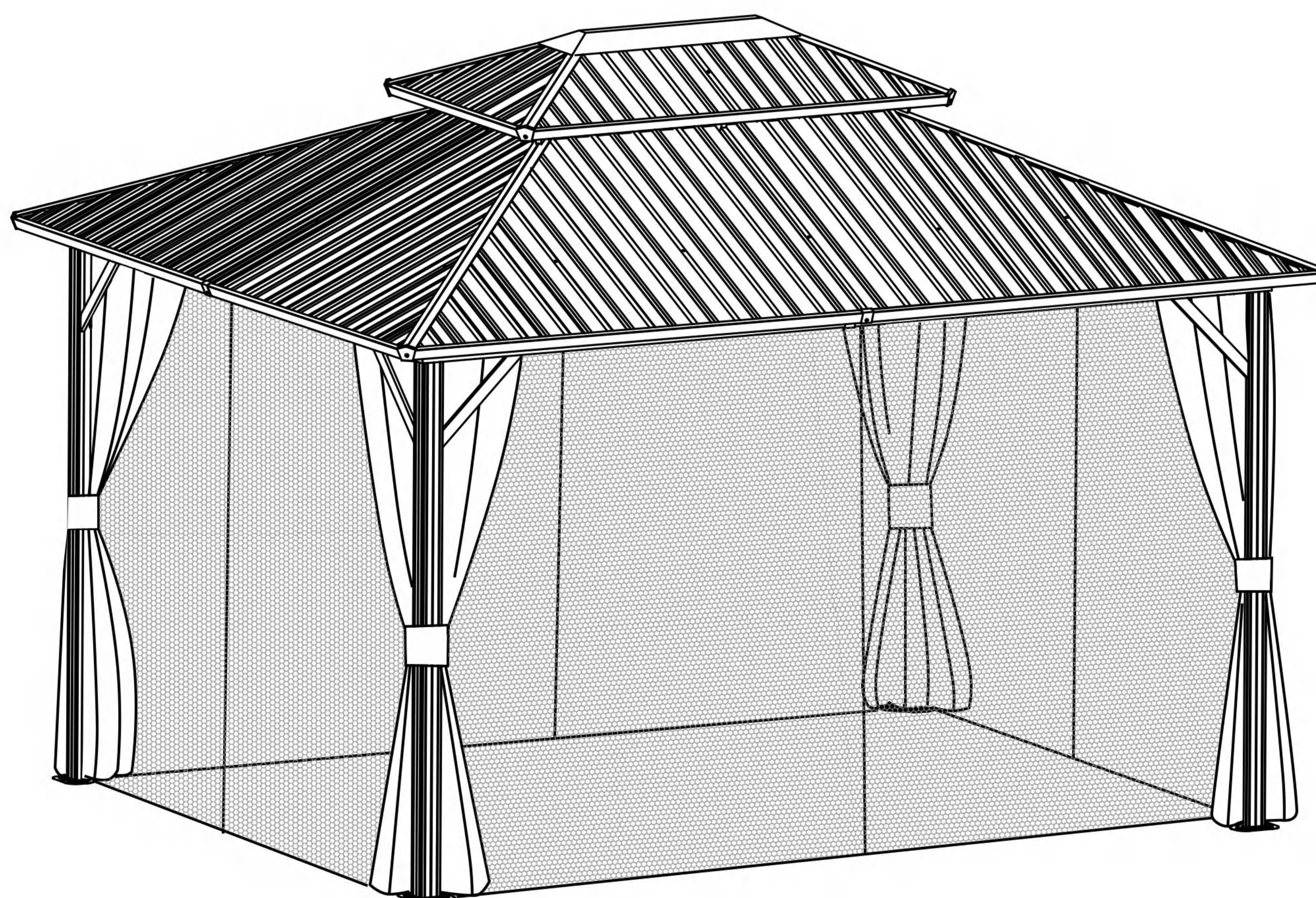


Metal Roof  
Aluminum Gazebo

10X12FT

SKU: A001G005-1  
A001G005-2  
A001G005-3

# ASSEMBLY INSTRUCTIONS



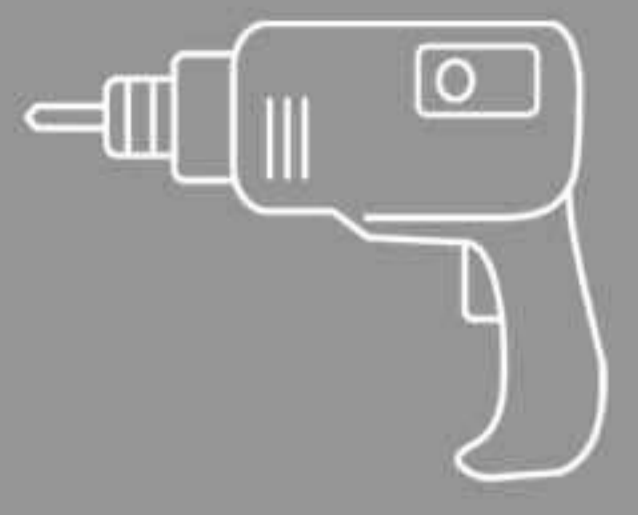
Please check the number of parts in the following accessory catalogue when unpacking. We have sent you more small parts for spare. If there is any missing or any questions about the installation. Please feel free to contact us. We will reply within 24 hours.



E-mail: [cs.helper01@gmail.com](mailto:cs.helper01@gmail.com)

## TOOLS RECOMMENDED

\*NOTE: The recommended tools are not included in boxes and need to be prepared by yourself.



DRILL



RUBBER Mallet



STEPLADDER  
(6.5Ft Or More)



SAFETY HAT



GLOVES



SAFETY GOGGLES

## ATTENTIONS



Since it is easy to lose many small accessories during the installation, please collect all the screw accessories before the assembly is completed



To better align the screws for practical situations, do not fully tighten screws initially



Please reinforced the Gazebo and do not use in heavy winds or inclement weather



Make sure all screws are tightened before use and check all screws, buckles and straps every 90 days



Two or more people are required for assembly



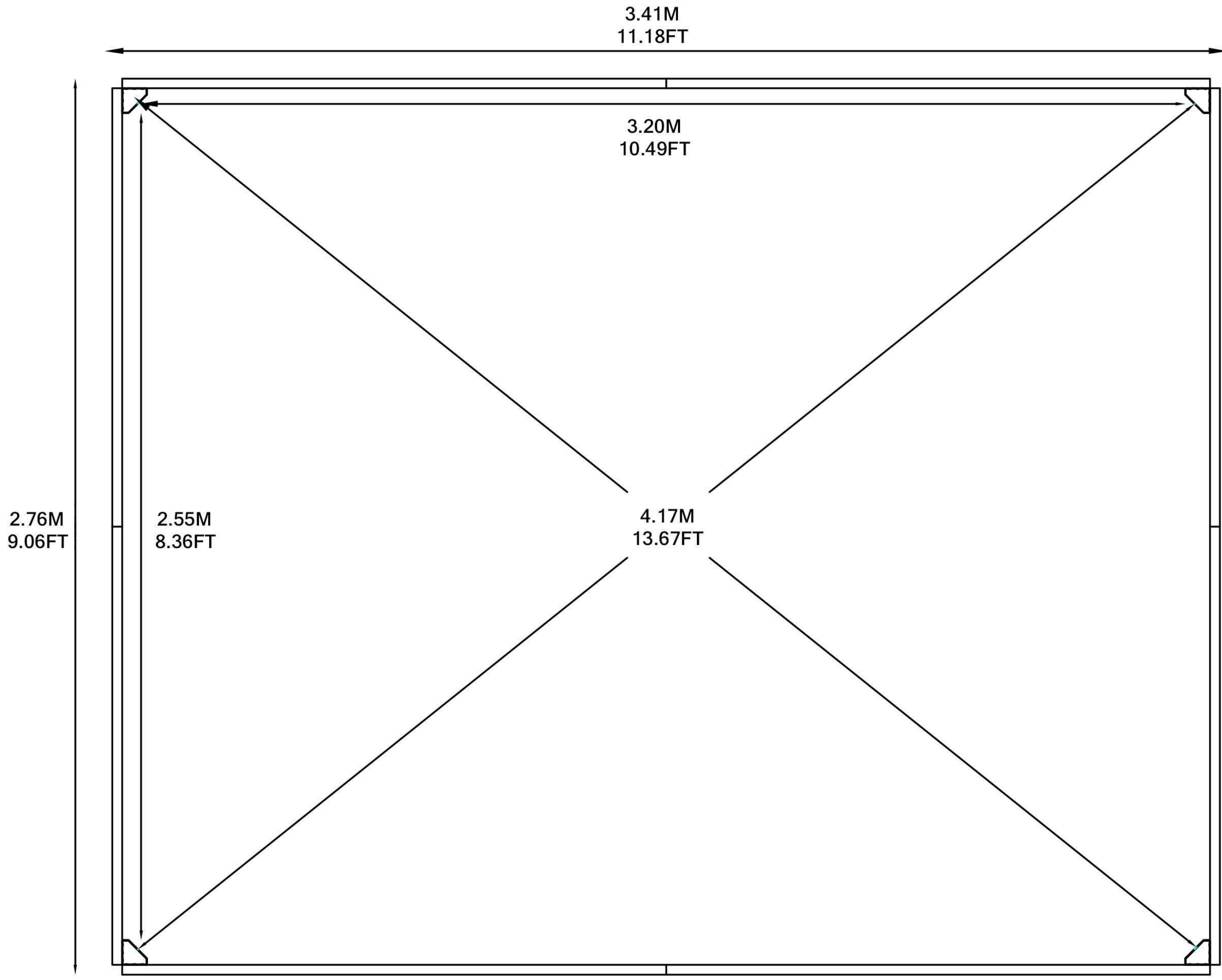
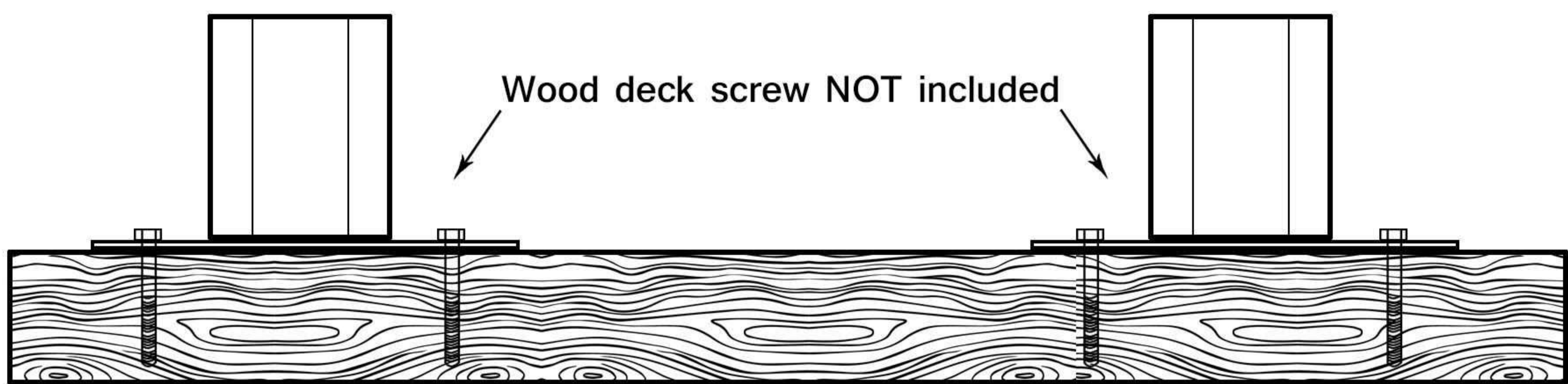
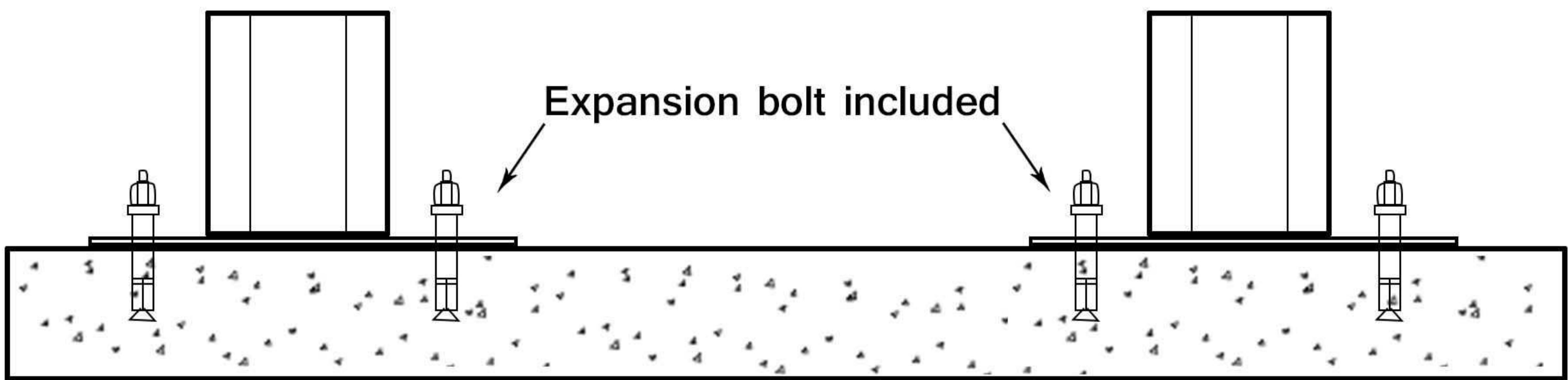
Please clear the snow off the roof in time for the heavy snowfall and do not use it

Please take care of the screws and contact the after-sales service if there is any problem with the installation or parts.



# Permanent Installation Examples

Our supporting expansion screws can only be used for cement floors, customers need to bring their own special screws if they are used for wood floors



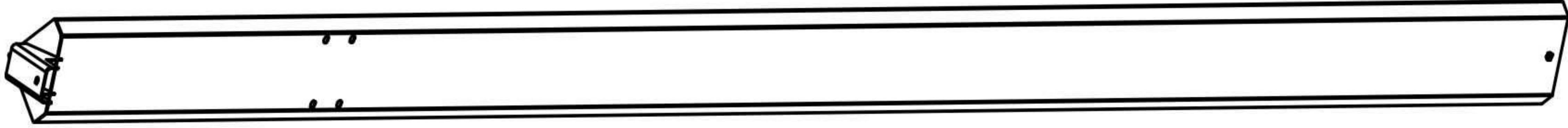
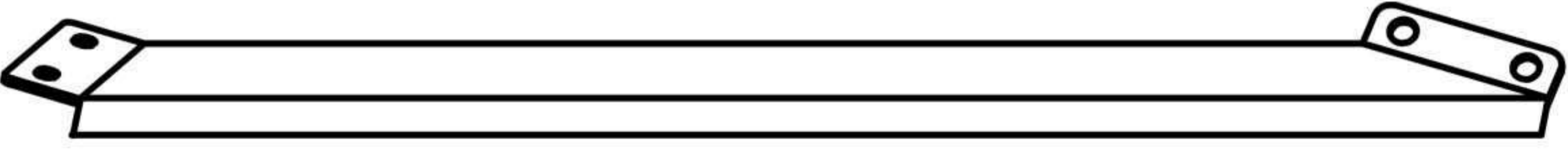
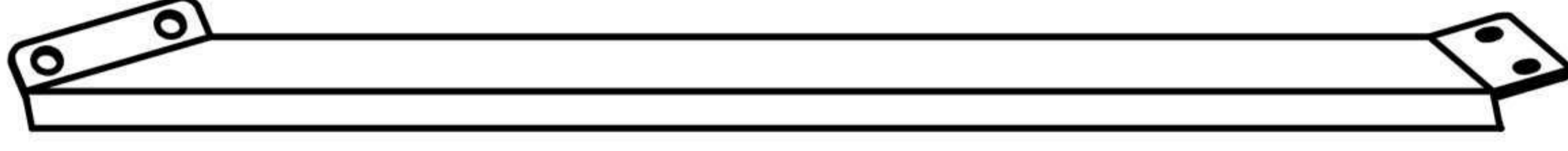
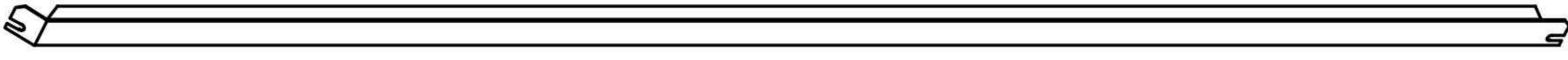
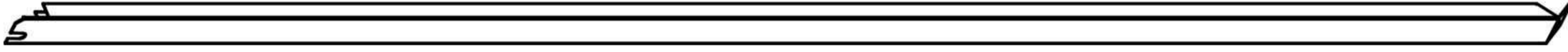
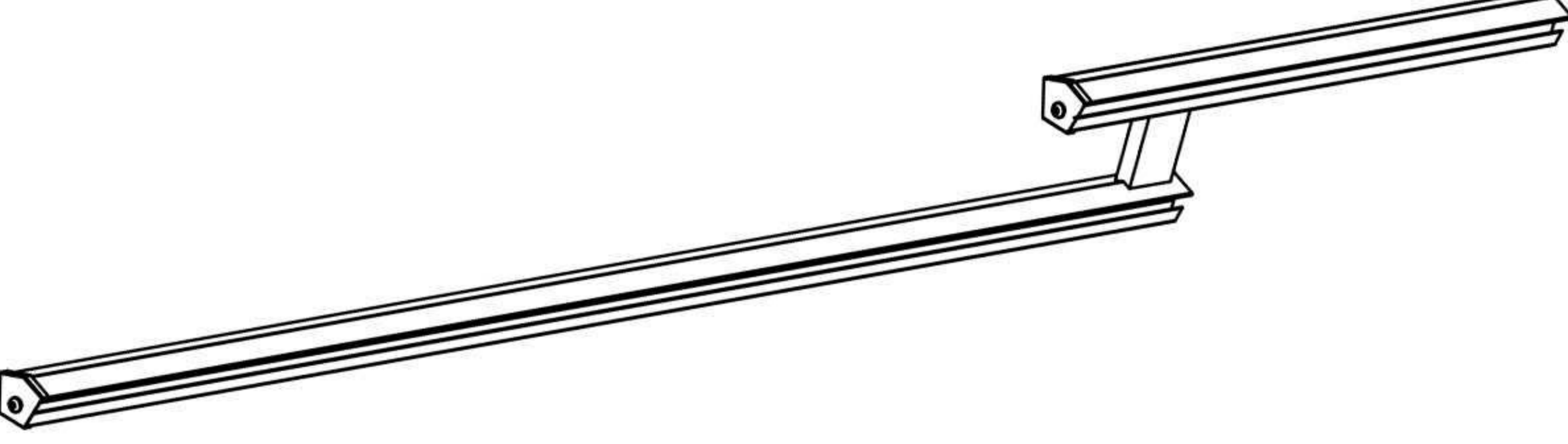
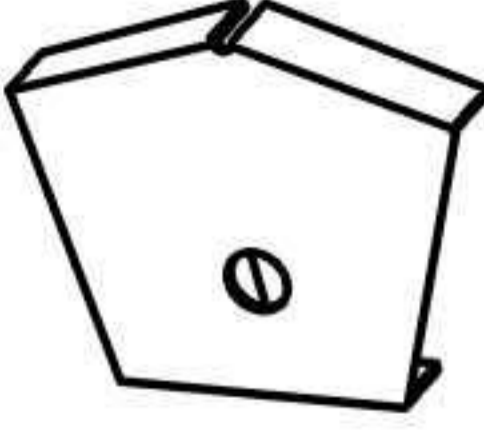
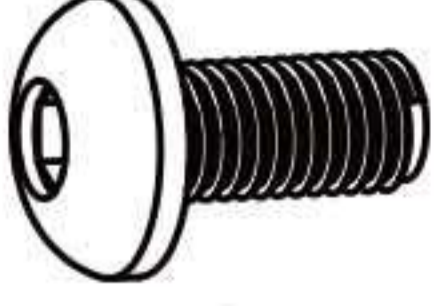
Please take care of the screws and contact the after-sales service if there is any problem with the installation or parts.

➔ ✉ E-mail: [cs.helper01@gmail.com](mailto:cs.helper01@gmail.com)

# ACCESSORY CATALOGUE

## BOX 1

SKU: A001G005-1

| Item no.  | Reference Image  | Qty. |
|-----------|--|------|
| <b>A</b>  |    | 4    |
| <b>F</b>  |    | 4    |
| <b>F1</b> |    | 4    |
| <b>G3</b> |    | 2    |
| <b>G4</b> |    | 2    |
| <b>E</b>  | <br> <b>M2 X8</b>  <b>X1 X8</b><br>M6X15mm | 4    |

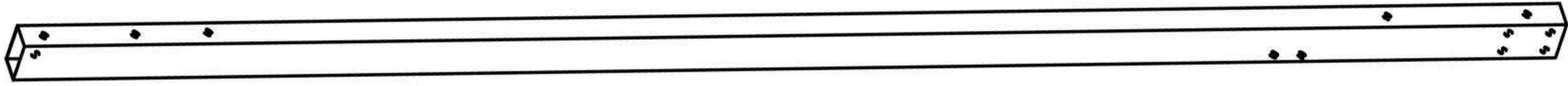
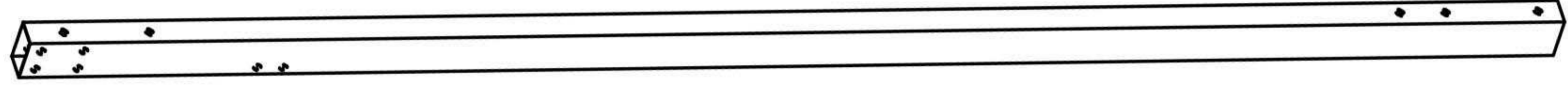
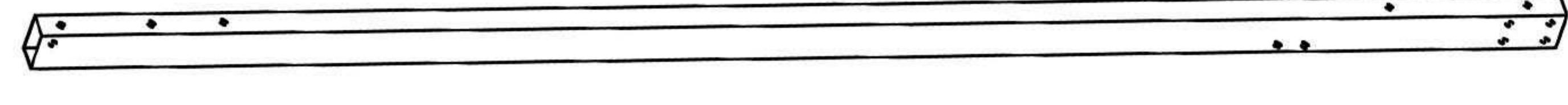
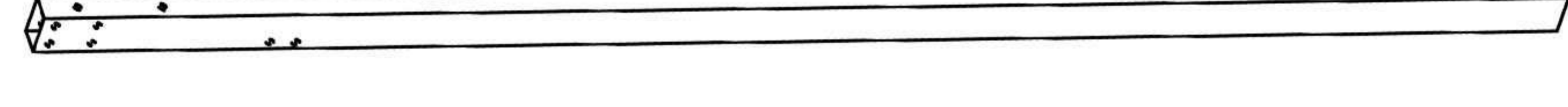

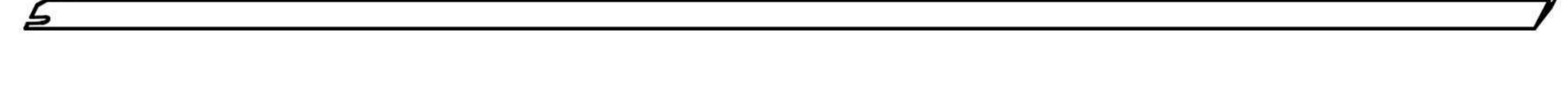
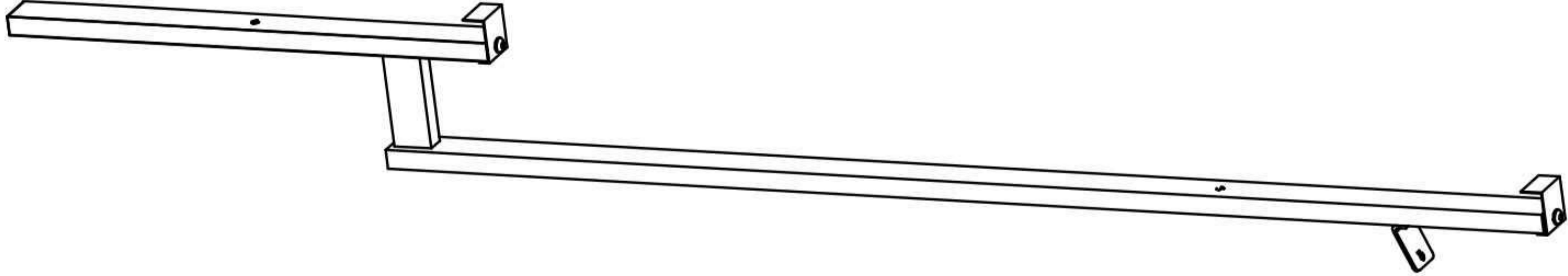
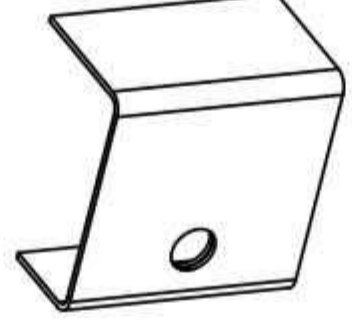
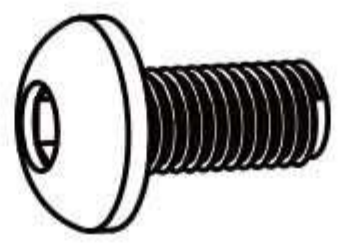
Please take care of the screws and contact the after-sales service if there is any problem with the installation or parts.



# ACCESSORY CATALOGUE

## BOX 2

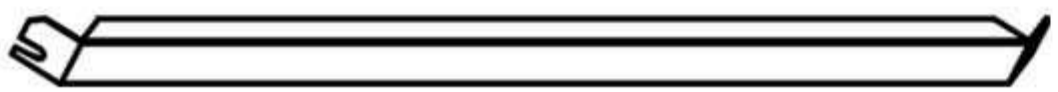

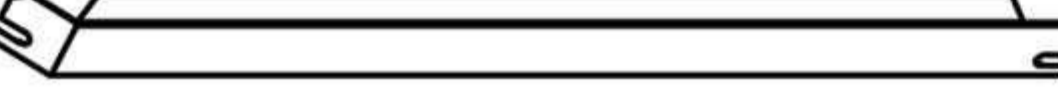

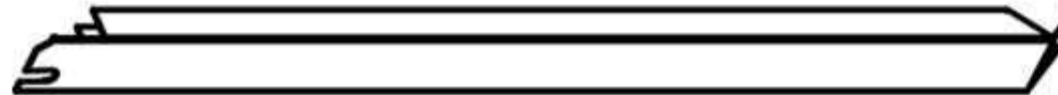


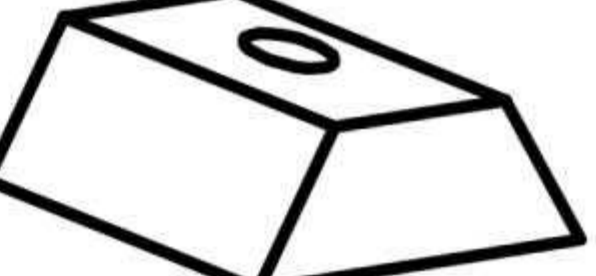
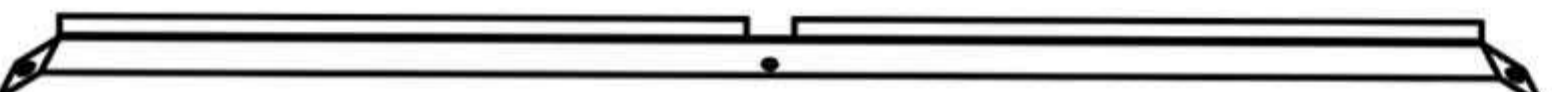
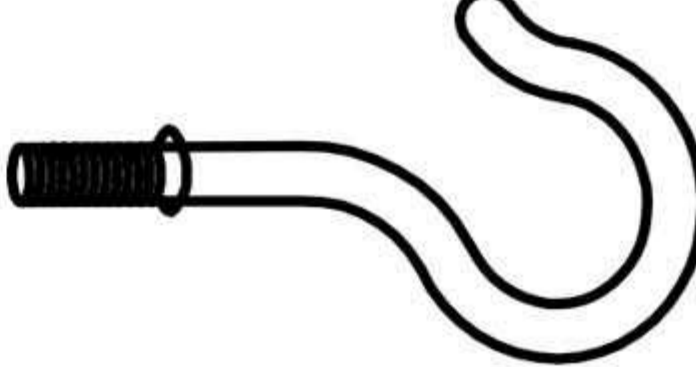
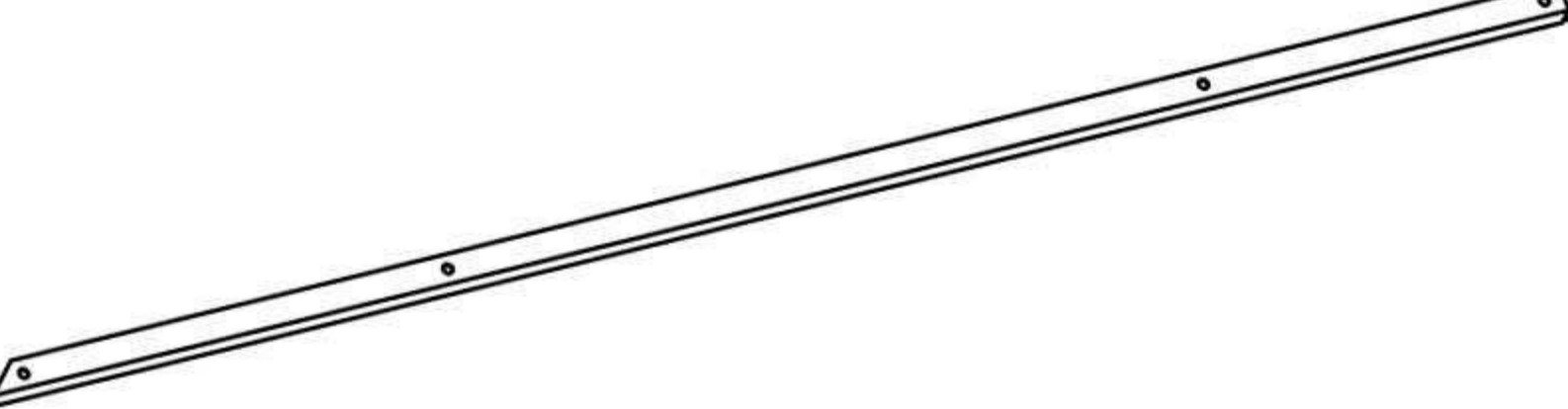
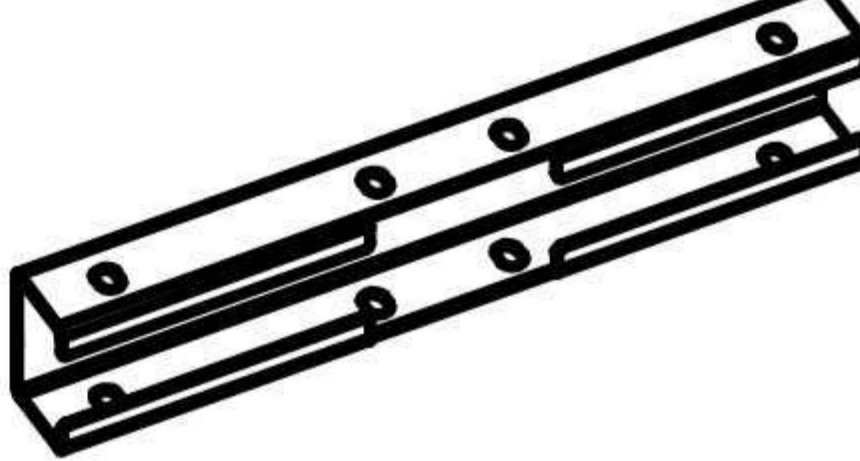
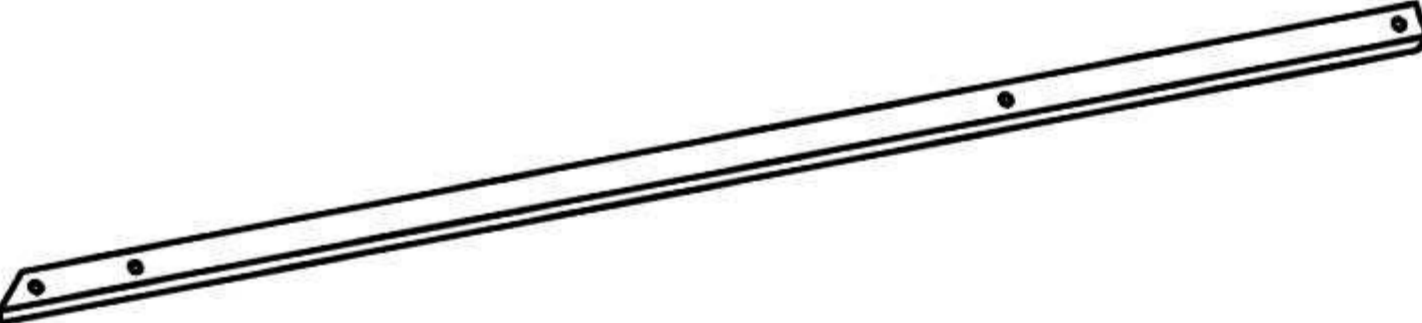
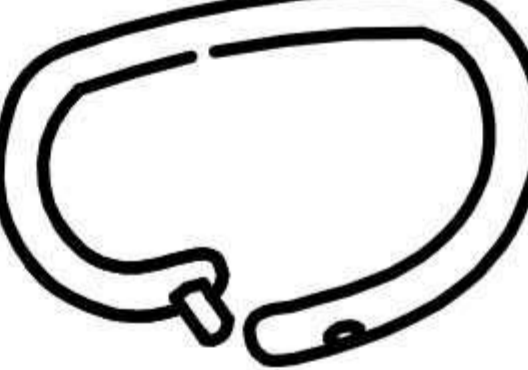
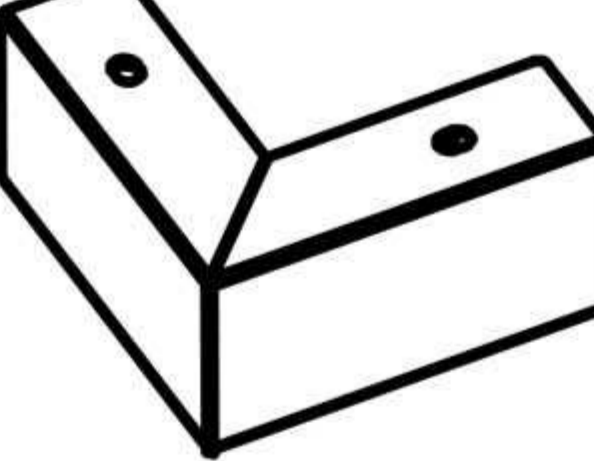

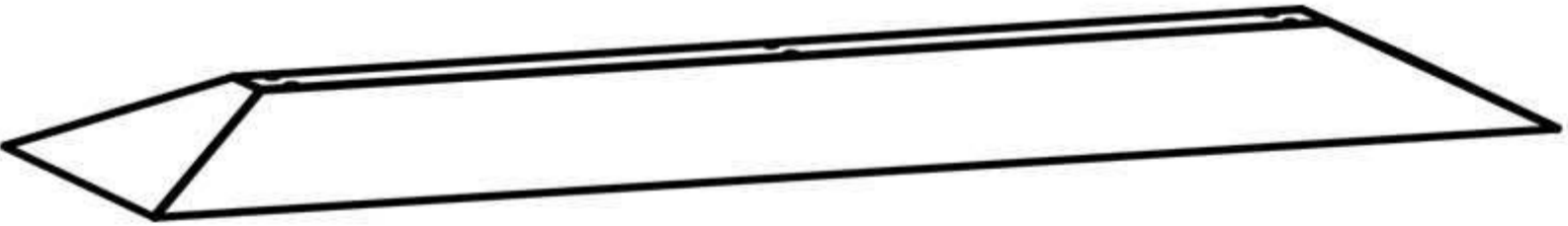

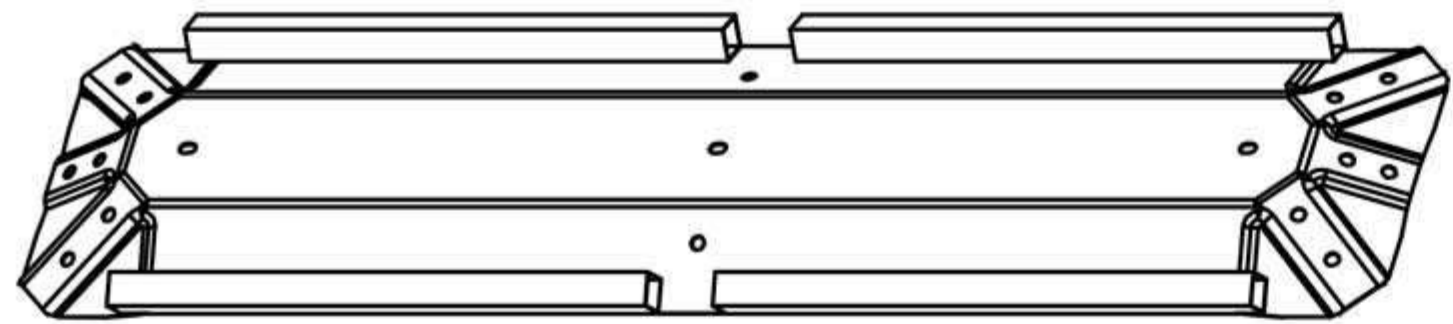
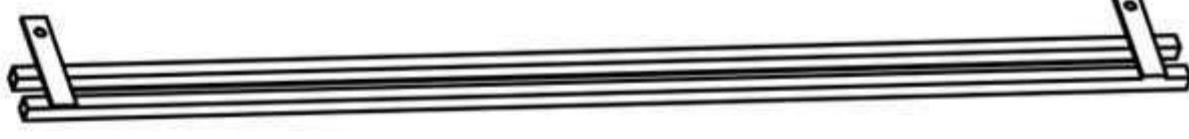
SKU: A001G005-2

| Item no.  | Reference Image  | Qty. |
|-----------|--|------|
| <b>B</b>  |   | 2    |
| <b>B1</b> |    | 2    |
| <b>C</b>  |    | 2    |
| <b>C1</b> |    | 2    |
| <b>G1</b> |    | 2    |
| <b>G2</b> |    | 2    |
| <b>D</b>  | <p>There are 2 D tubes and only one M1 accessory.</p>  <div style="display: flex; justify-content: space-around; align-items: center;"> <div style="text-align: center;">  <p><b>M1 X6</b></p> </div> <div style="text-align: center;">  <p><b>X1 X6</b><br/>M6X15mm</p> </div> </div> | 4    |

Please take care of the screws and contact the after-sales service if there is any problem with the installation or parts.

➔ ✉ E-mail: [cs.helper01@gmail.com](mailto:cs.helper01@gmail.com)


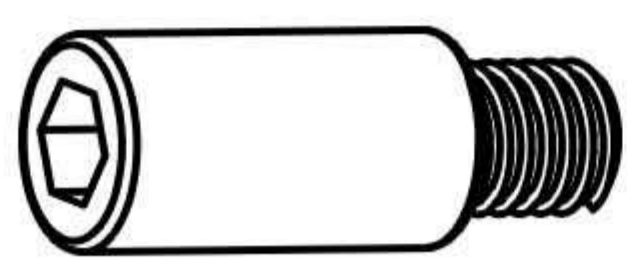
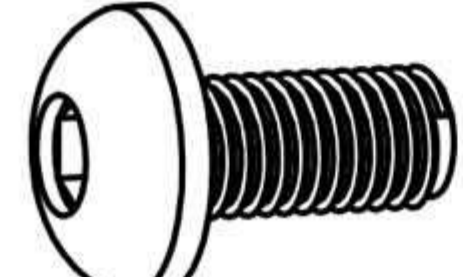
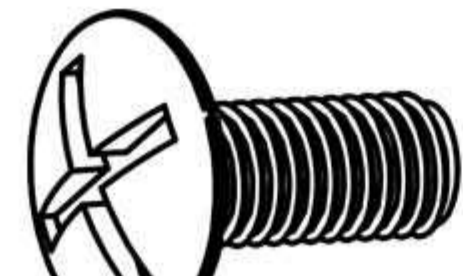
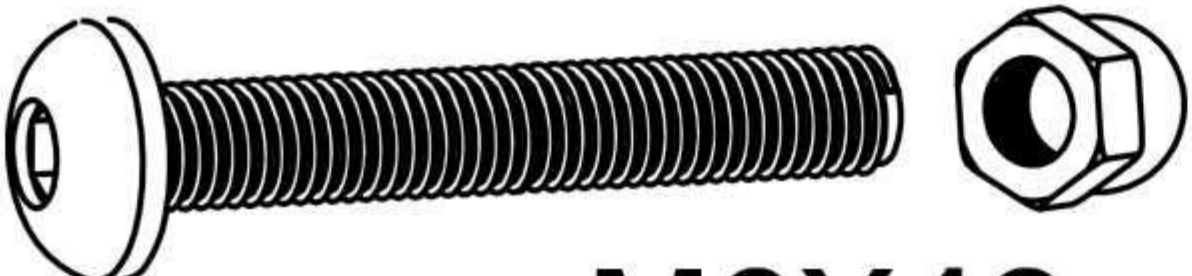

# ACCESSORY CATALOGUE

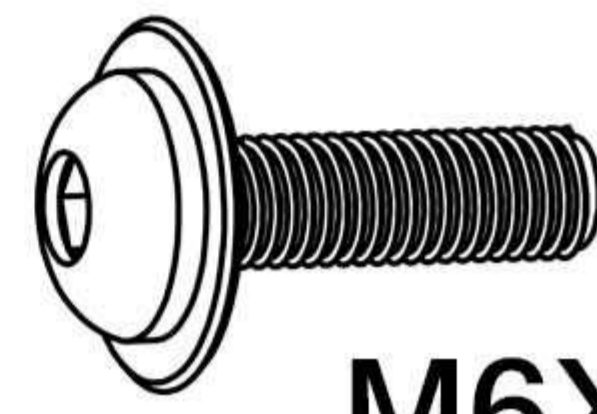
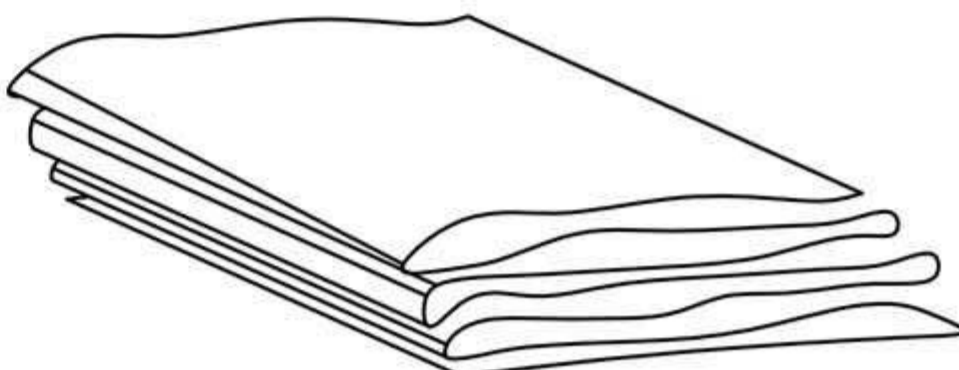
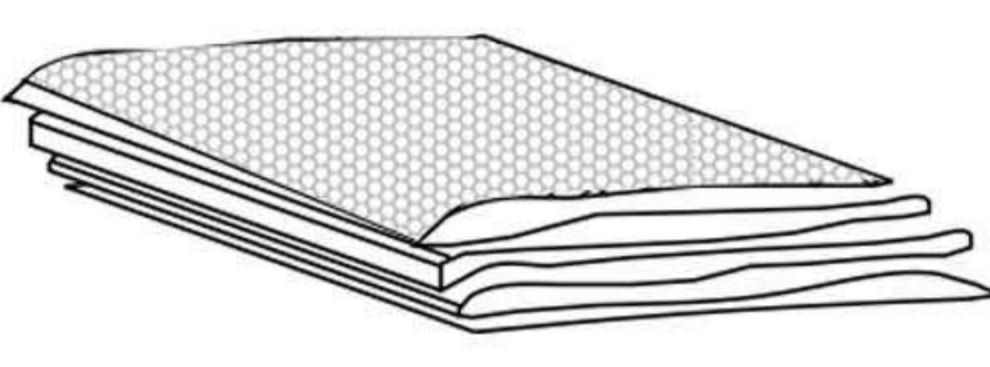
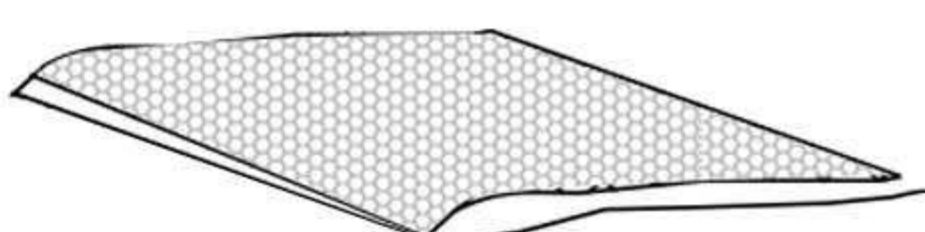
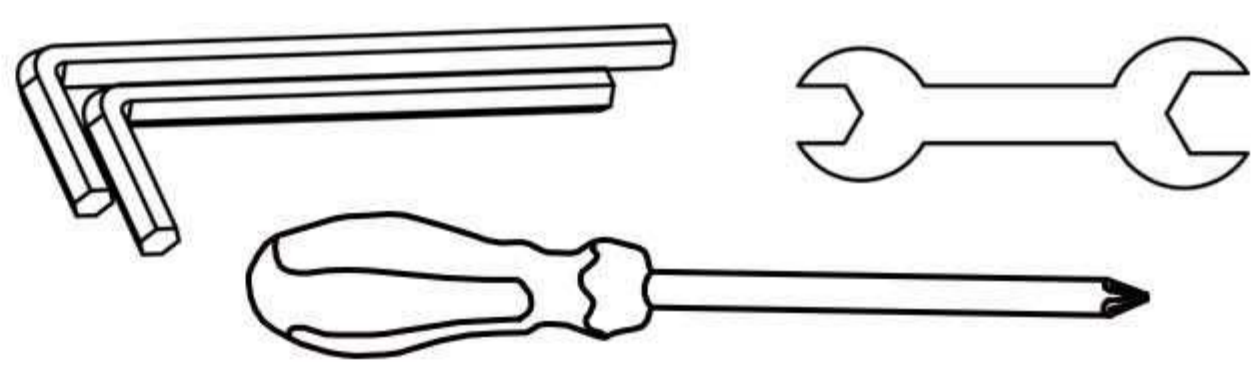

| Item no.   | Reference Image   | Qty. | Item no.  | Reference Image   | Qty. |
|------------|---|------|-----------|---|------|
| <b>G5</b>  |    | 2    | <b>L</b>  |    | 4    |
| <b>G6</b>  |    | 2    | <b>M3</b> |    | 4    |
| <b>G7</b>  |  | 2    | <b>M4</b> |  | 4    |
| <b>G8</b>  |  | 2    | <b>M5</b> |  | 24   |
| <b>G10</b> |  | 2    | <b>M7</b> |  | 2    |
| <b>H1</b>  |  | 4    | <b>P</b>  |  | 4    |
| <b>H2</b>  |  | 4    | <b>Q</b>  |  | 72   |
| <b>J</b>   |  | 4    | <b>S</b>  |  | 2    |
| <b>K</b>   |  | 1    | <b>S1</b> |  | 2    |
| <b>K1</b>  |  | 1    | <b>W</b>  |  | 2    |

Please take care of the screws and contact the after-sales service if there is any problem with the installation or parts.



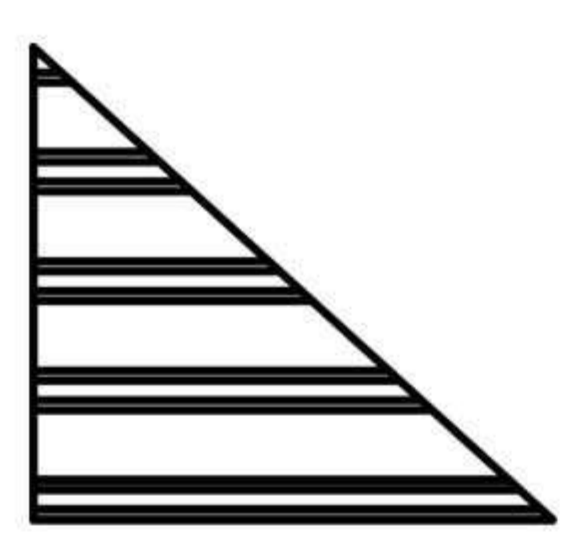
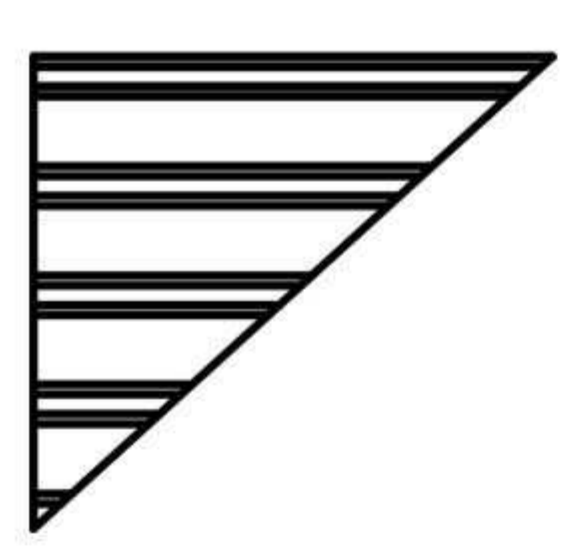
# ACCESSORY CATALOGUE

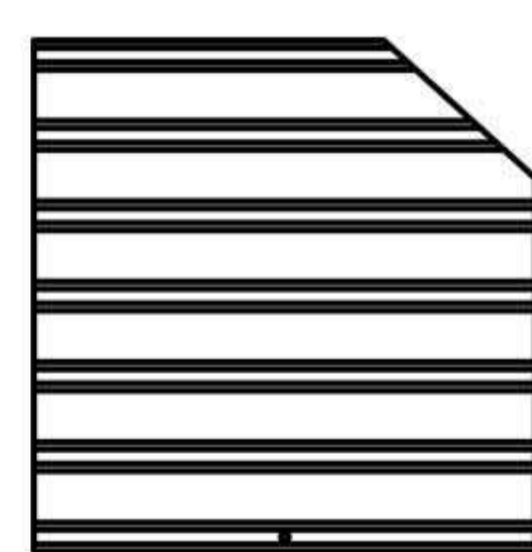
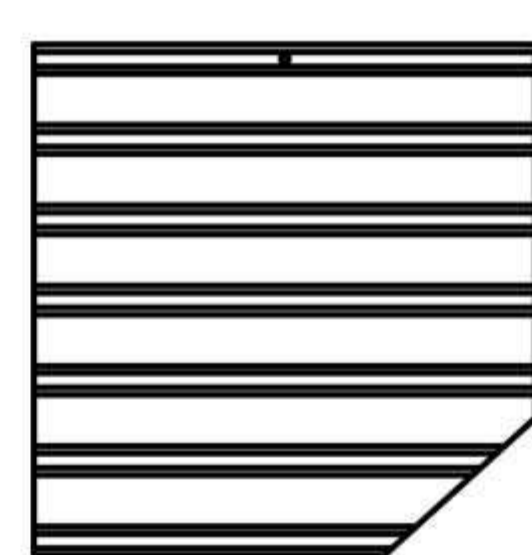
| Item no.  | Reference Image  | Qty.       |
|-----------|--|------------|
| <b>W1</b> |               | <b>2</b>   |
| <b>X</b>  | <br>M6X10mm   | <b>32</b>  |
| <b>X1</b> | <br>M6X15mm | <b>111</b> |
| <b>X2</b> | <br>M5X15mm | <b>16</b>  |
| <b>X3</b> | <br>M6X42mm | <b>24</b>  |
| <b>X4</b> | <br>M5X10mm | <b>32</b>  |

| Item no.  | Reference Image  | Qty.     |
|-----------|--|----------|
| <b>X5</b> | <br>M6X30mm | <b>4</b> |
| <b>Z</b>  |             | <b>1</b> |
| <b>Z1</b> |           | <b>1</b> |
| <b>Z2</b> |           | <b>1</b> |
| <b>1</b>  |           | <b>1</b> |
| <b>2</b>  |           | <b>8</b> |

## BOX 3

SKU: A001G005-3

| Item no.  | Reference Image   | Qty.     |
|-----------|---|----------|
| <b>N5</b> |  | <b>2</b> |
| <b>Y5</b> |  | <b>2</b> |

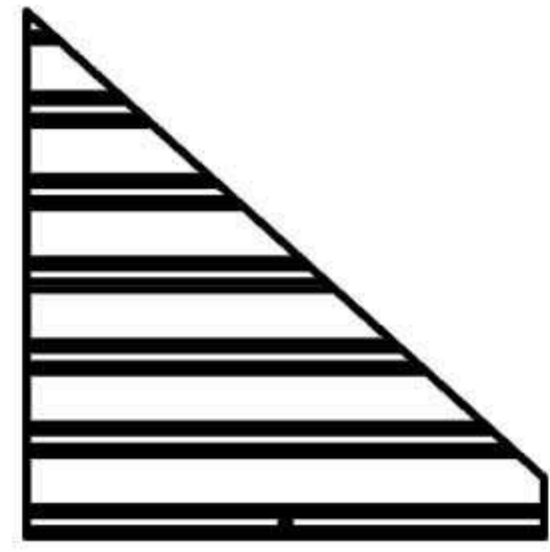
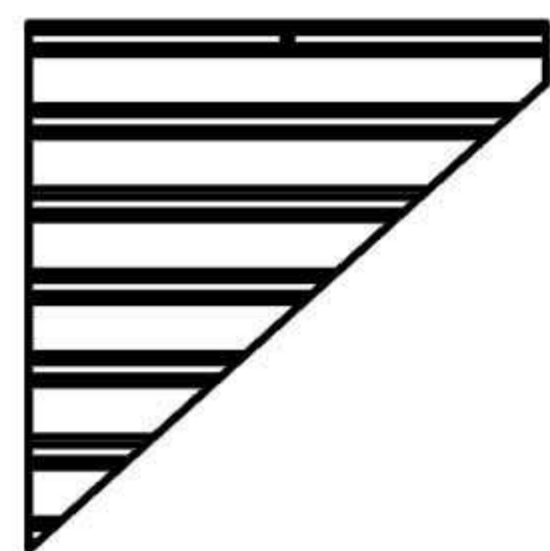
| Item no.  | Reference Image   | Qty.     |
|-----------|---|----------|
| <b>N6</b> |  | <b>2</b> |
| <b>Y6</b> |  | <b>2</b> |

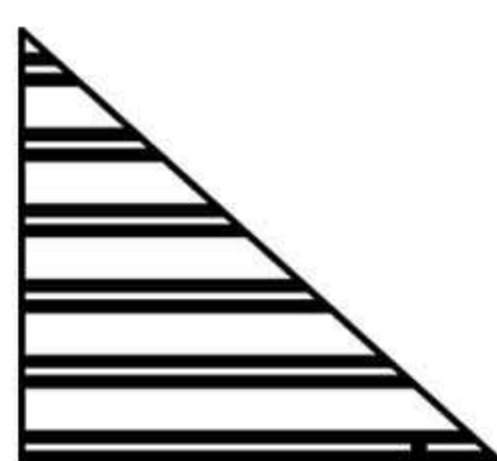
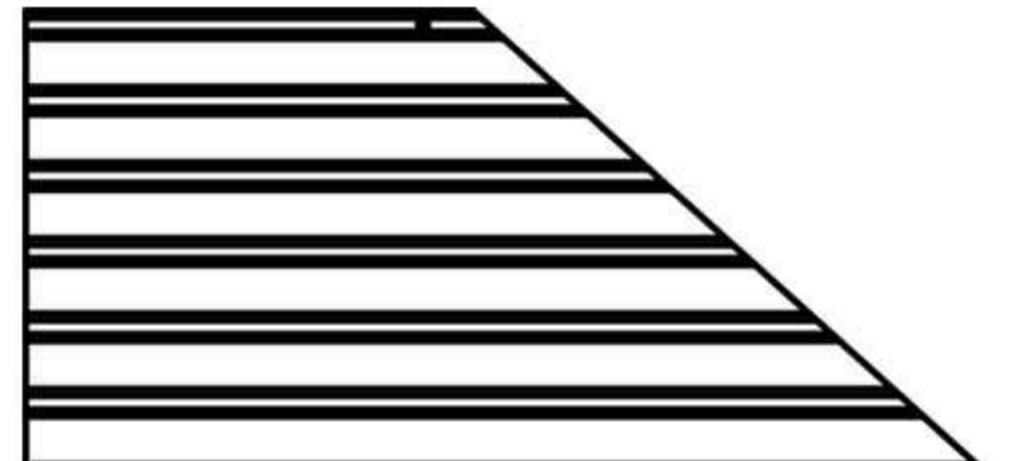
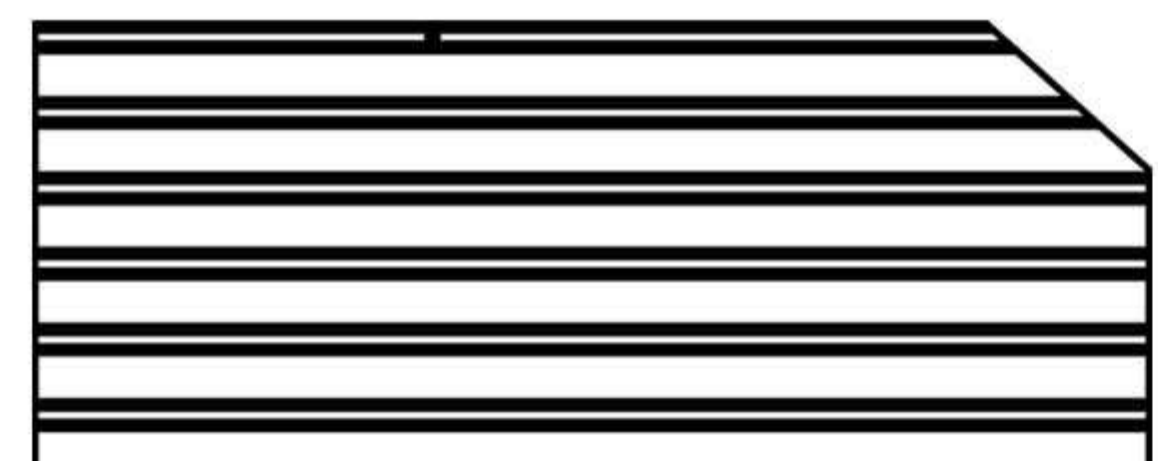
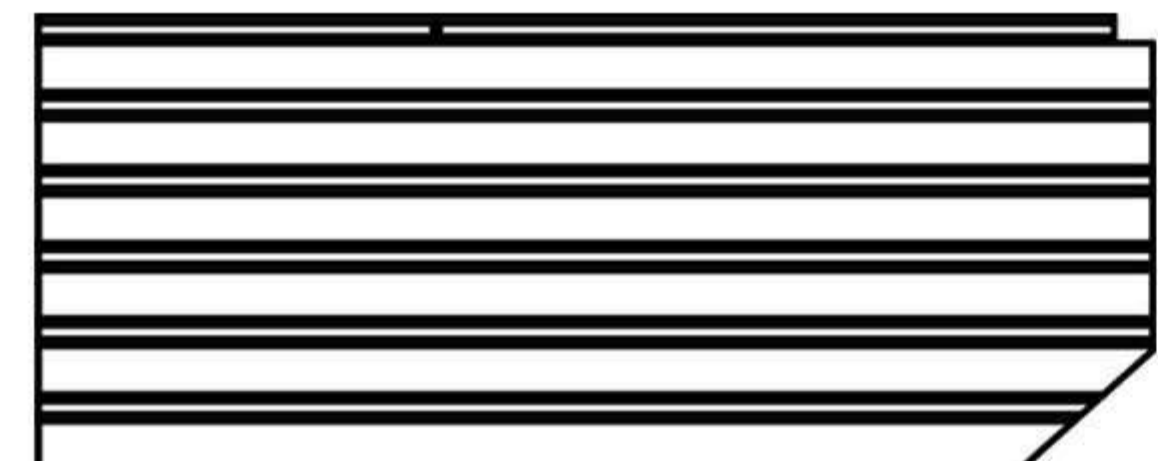
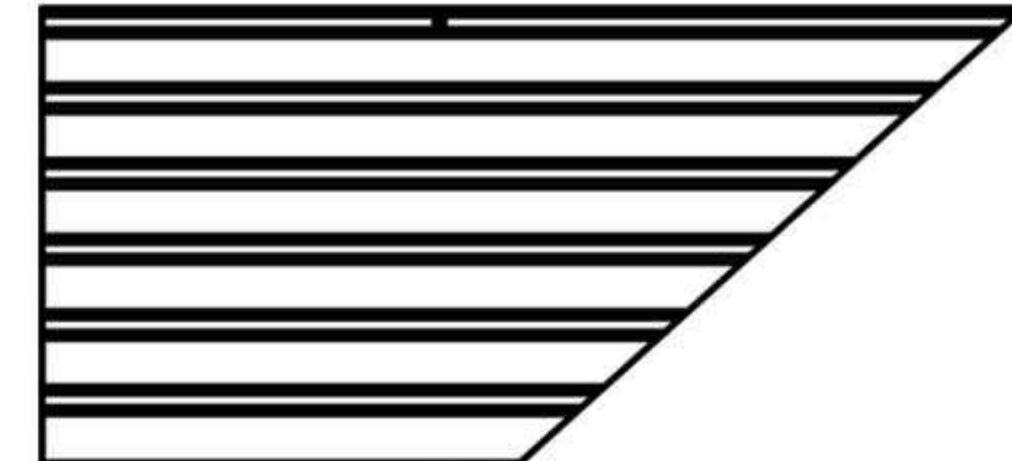
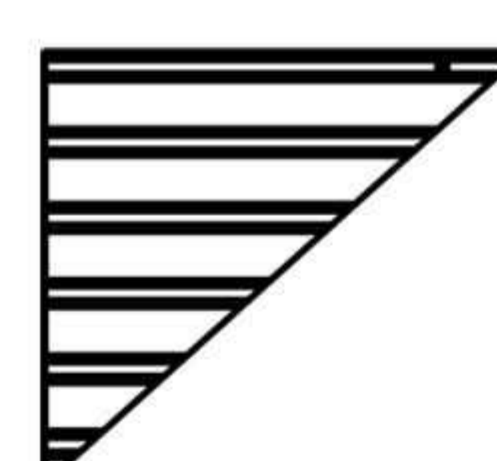
Please take care of the screws and contact the after-sales service if there is any problem with the installation or parts.

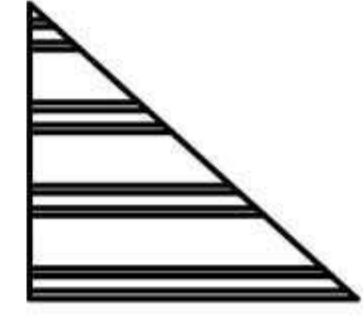
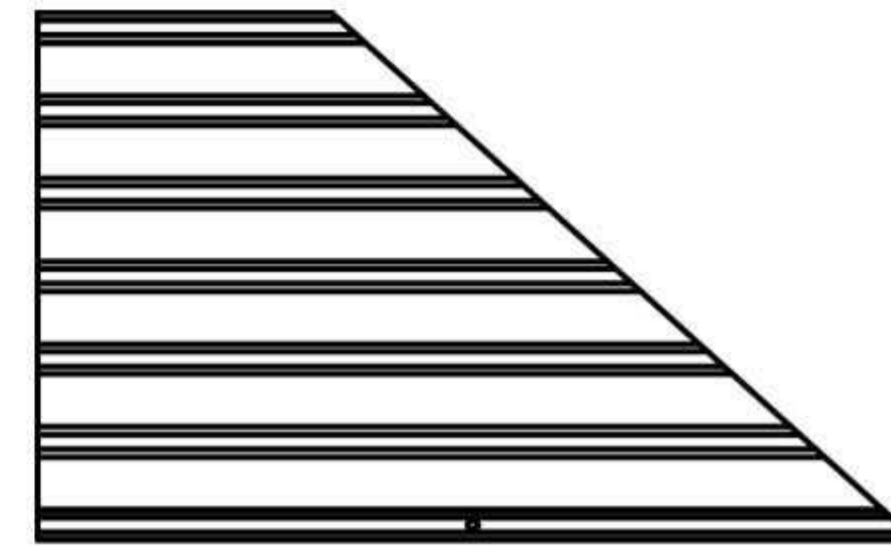
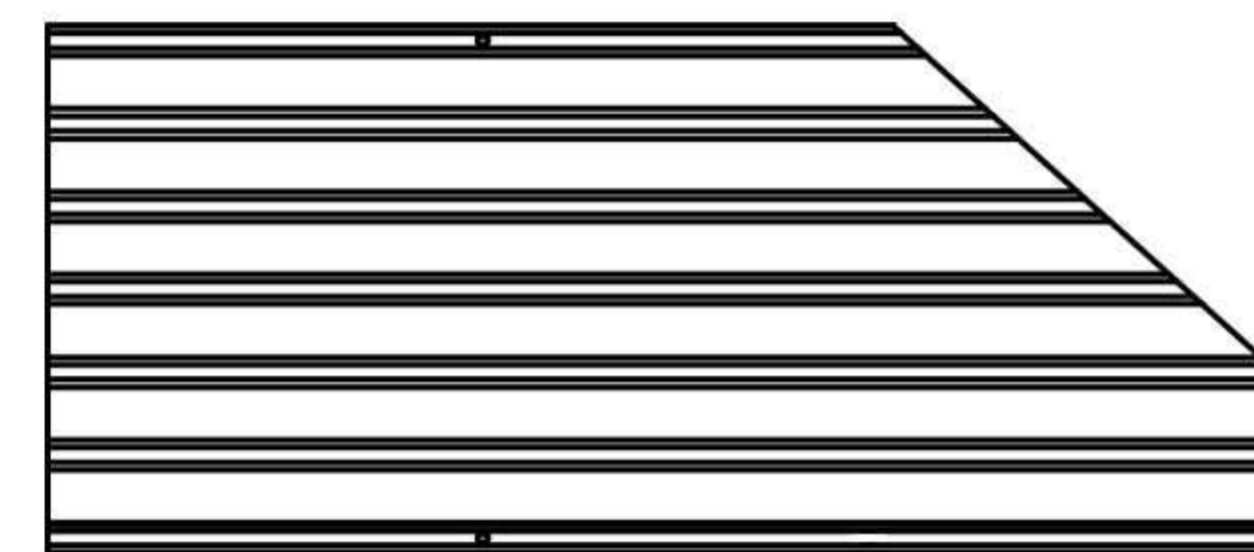
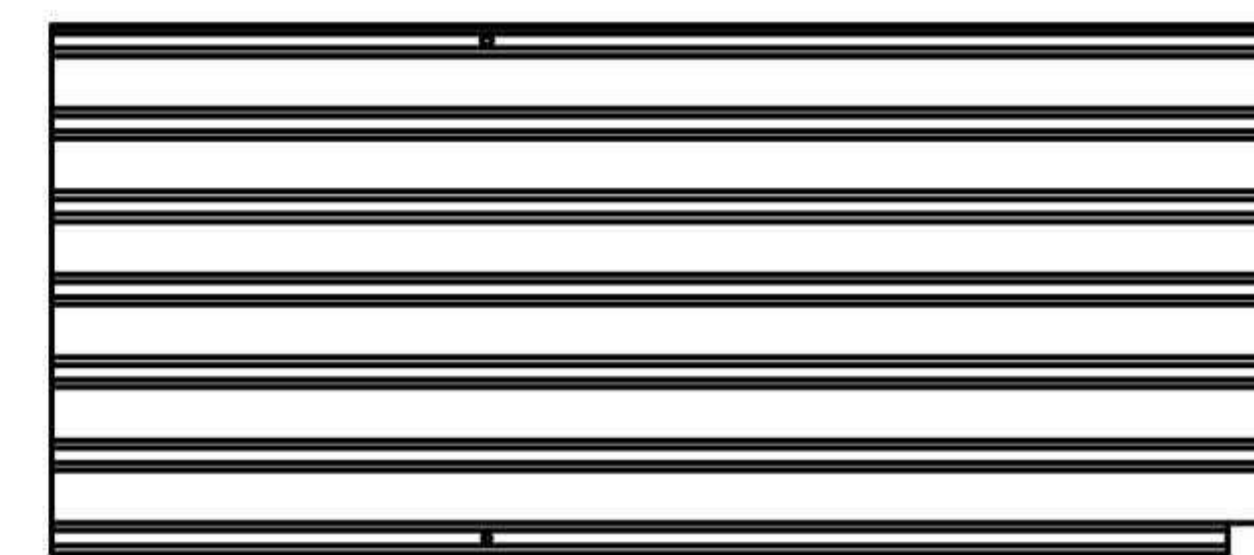

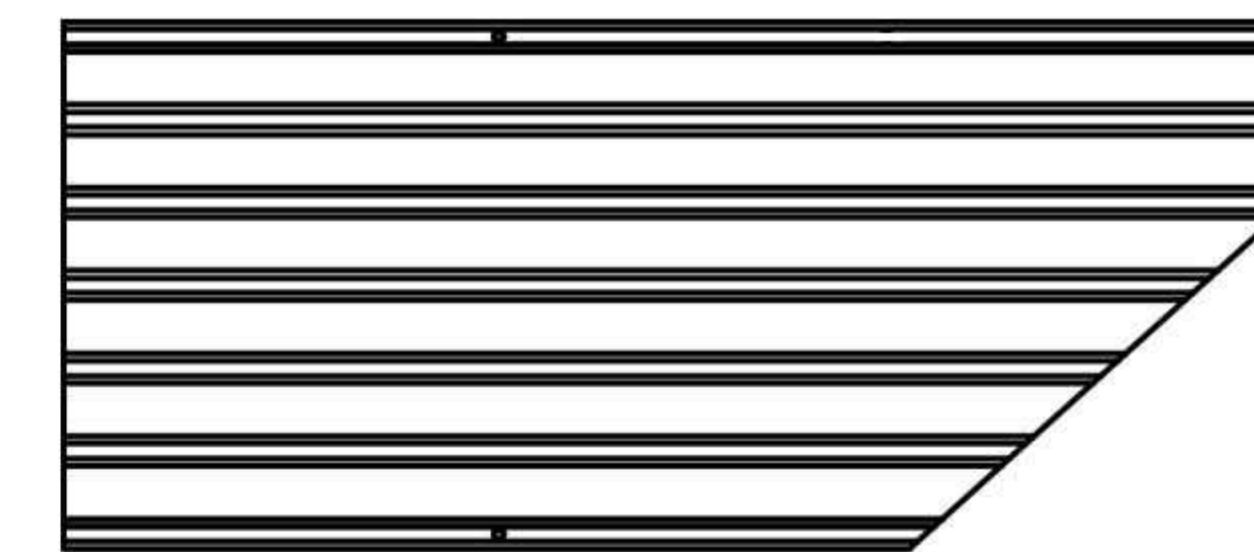
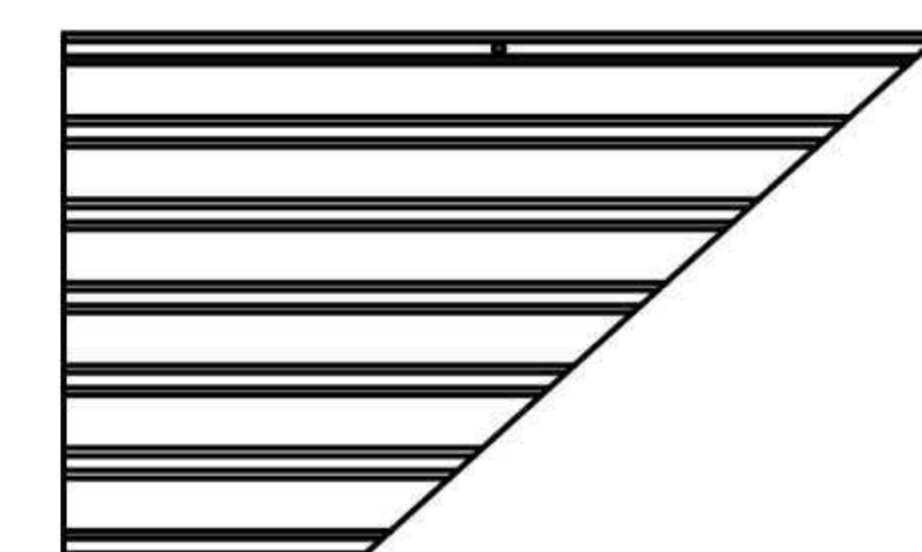
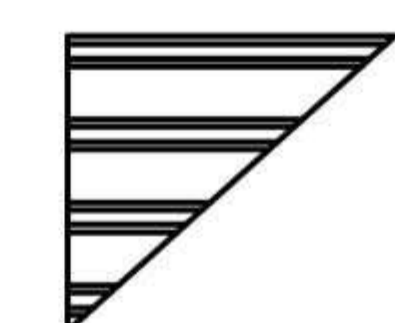


E-mail: [cs.helper01@gmail.com](mailto:cs.helper01@gmail.com)

# ACCESSORY CATALOGUE

| Item no.  | Reference Image   | Qty. |
|-----------|---|------|
| <b>O4</b> |  | 2    |
| <b>V4</b> |  | 2    |

| Item no.  | Reference Image   | Qty. |
|-----------|---|------|
| <b>O1</b> |  | 2    |
| <b>O2</b> |  | 2    |
| <b>O3</b> |  | 2    |
| <b>V3</b> |  | 2    |
| <b>V2</b> |  | 2    |
| <b>V1</b> |  | 2    |

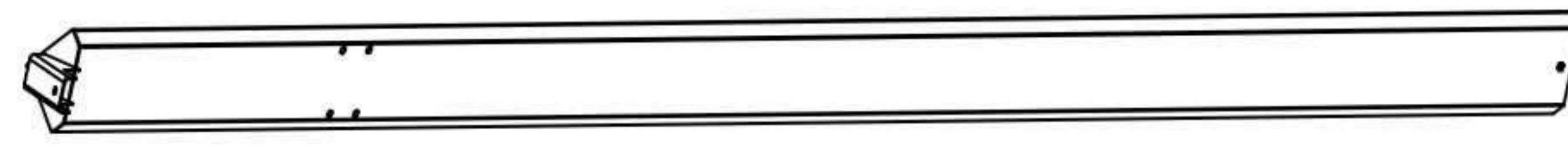
| Item no.  | Reference Image   | Qty. |
|-----------|---|------|
| <b>N1</b> |    | 2    |
| <b>N2</b> |    | 2    |
| <b>N3</b> |   | 2    |
| <b>N4</b> |  | 2    |
| <b>Y4</b> |  | 2    |
| <b>Y3</b> |  | 2    |
| <b>Y2</b> |  | 2    |
| <b>Y1</b> |  | 2    |

Please take care of the screws and contact the after-sales service if there is any problem with the installation or parts.

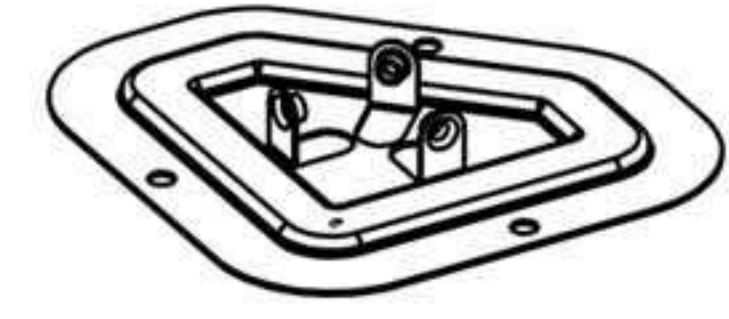


# STEP 1

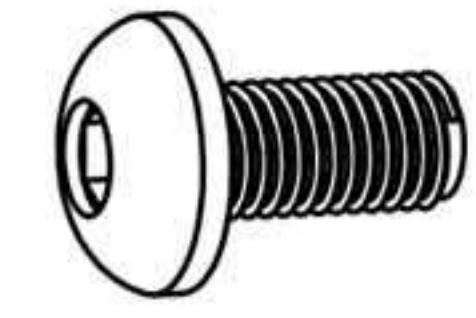
Parts required



A 4pcs

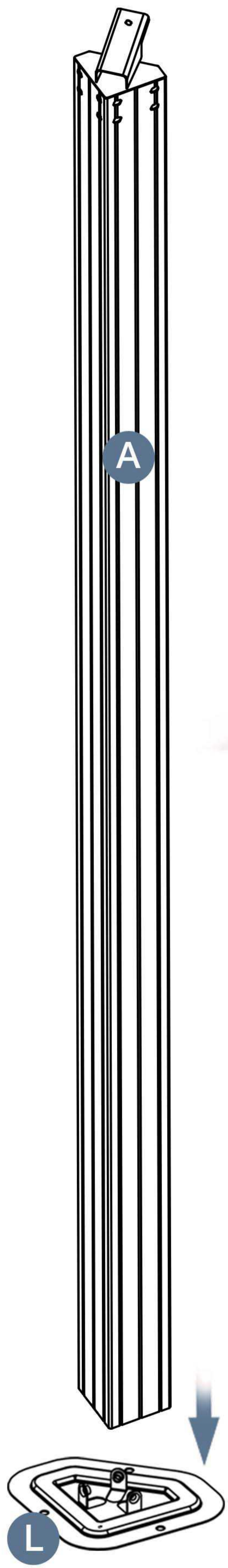


L 4pcs

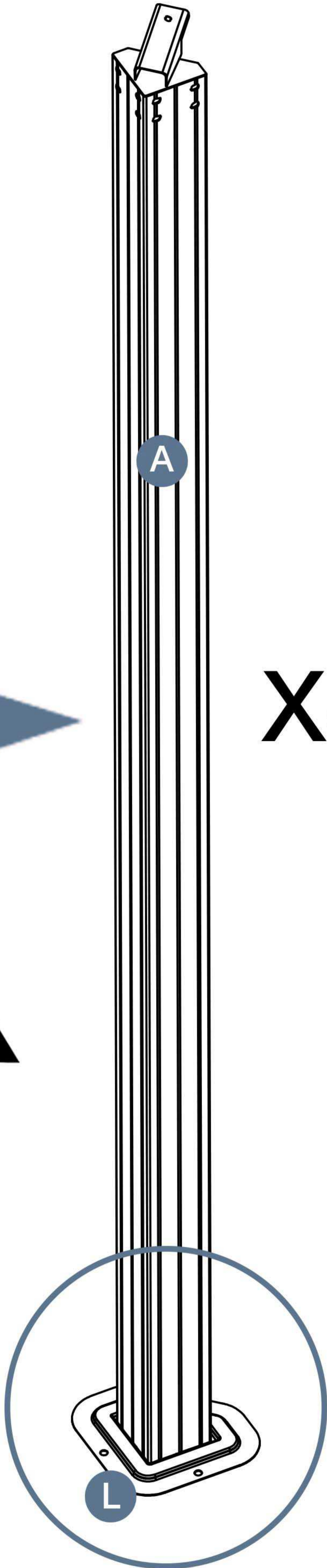


X1 12pcs

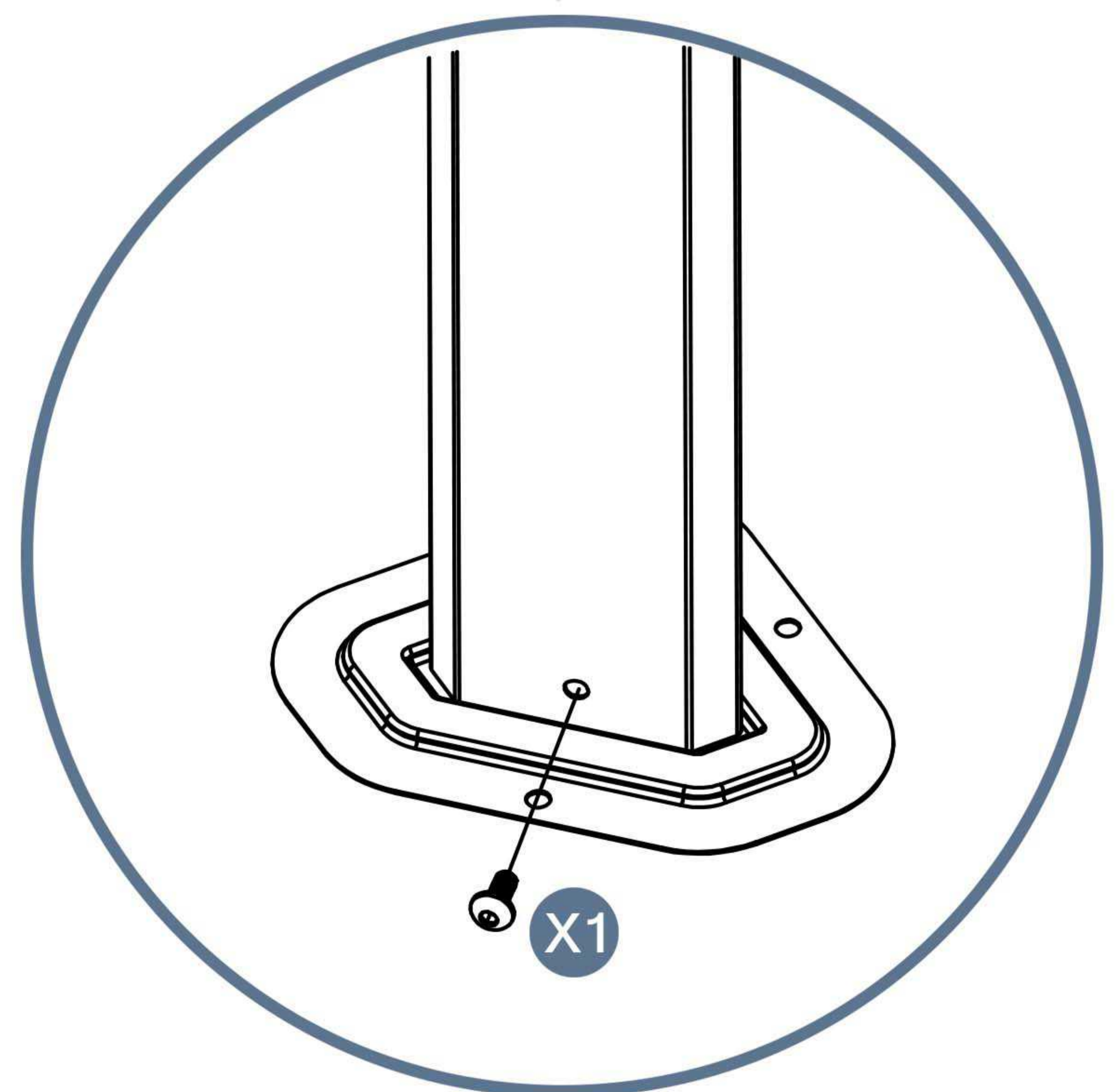
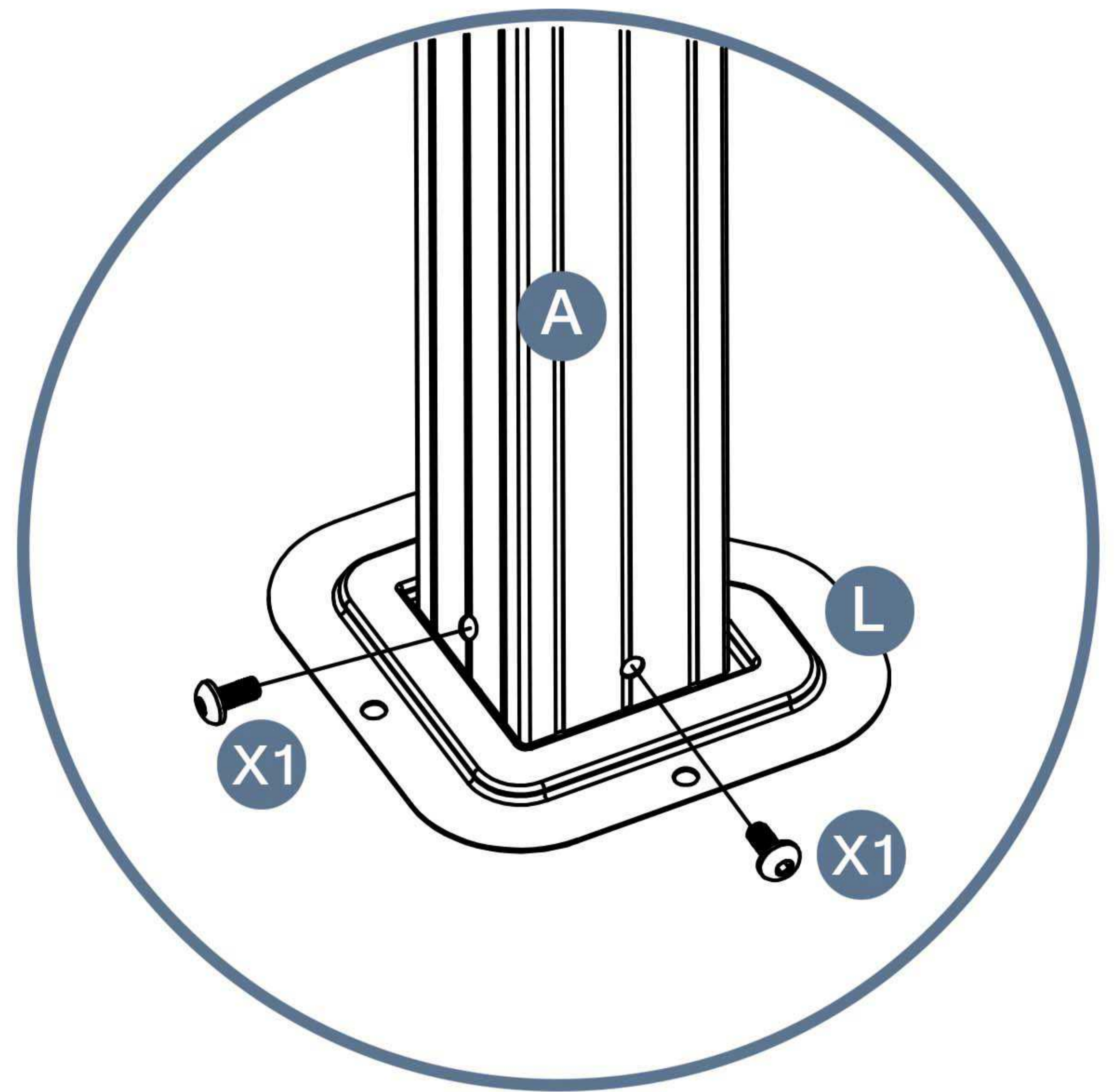
1 → 2



1

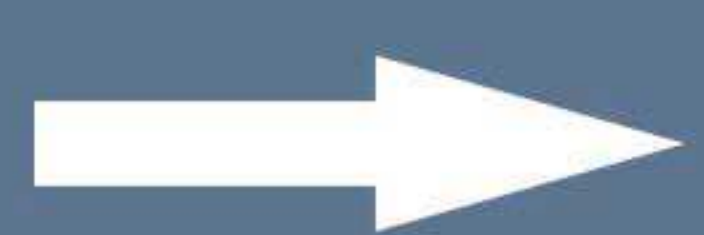


X4



2

Please take care of the screws and contact the after-sales service if there is any problem with the installation or parts.



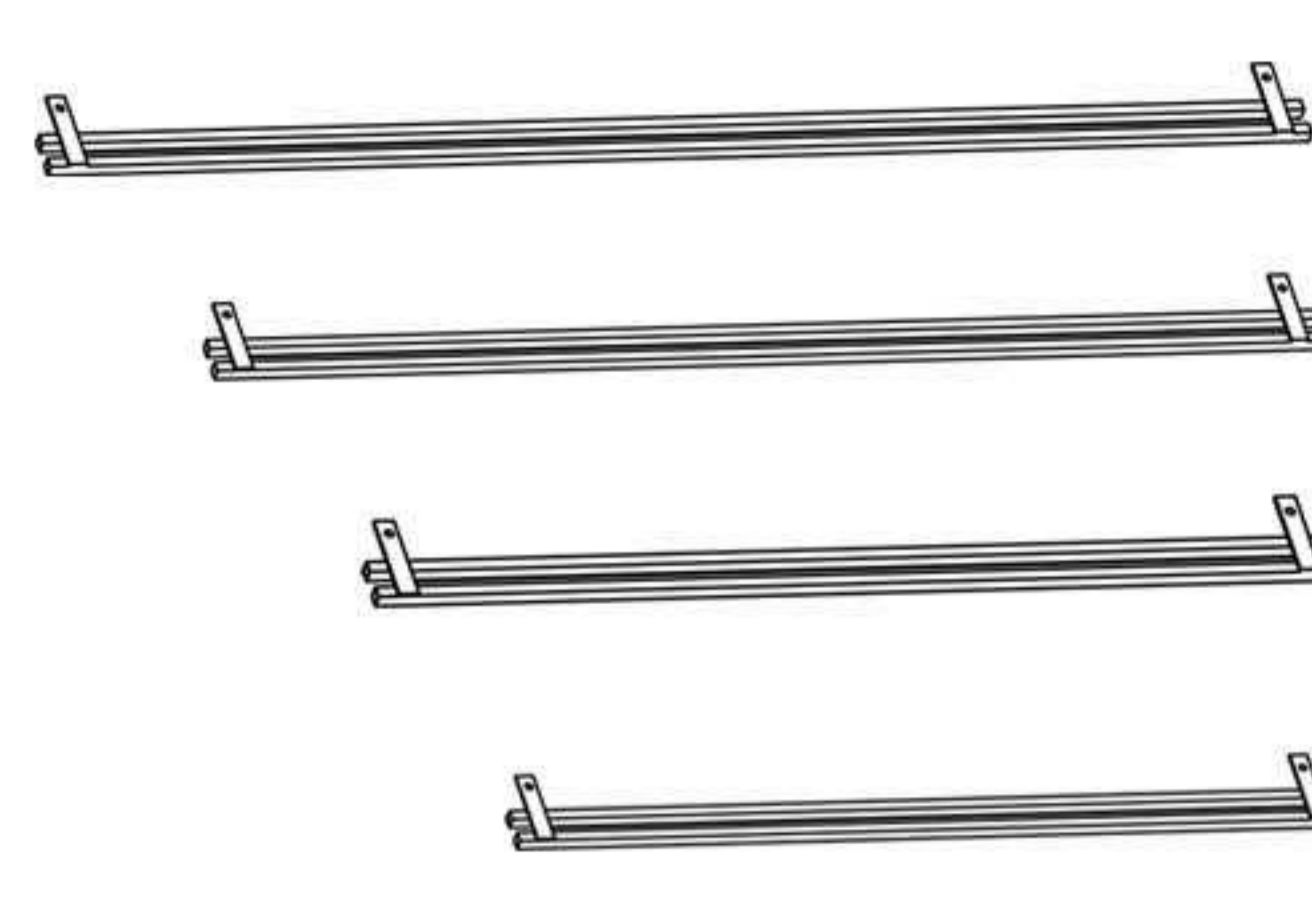
E-mail: [cs.helper01@gmail.com](mailto:cs.helper01@gmail.com)

# STEP 2

Parts required



B 2pcs  
B1 2pcs  
C 2pcs  
C1 2pcs

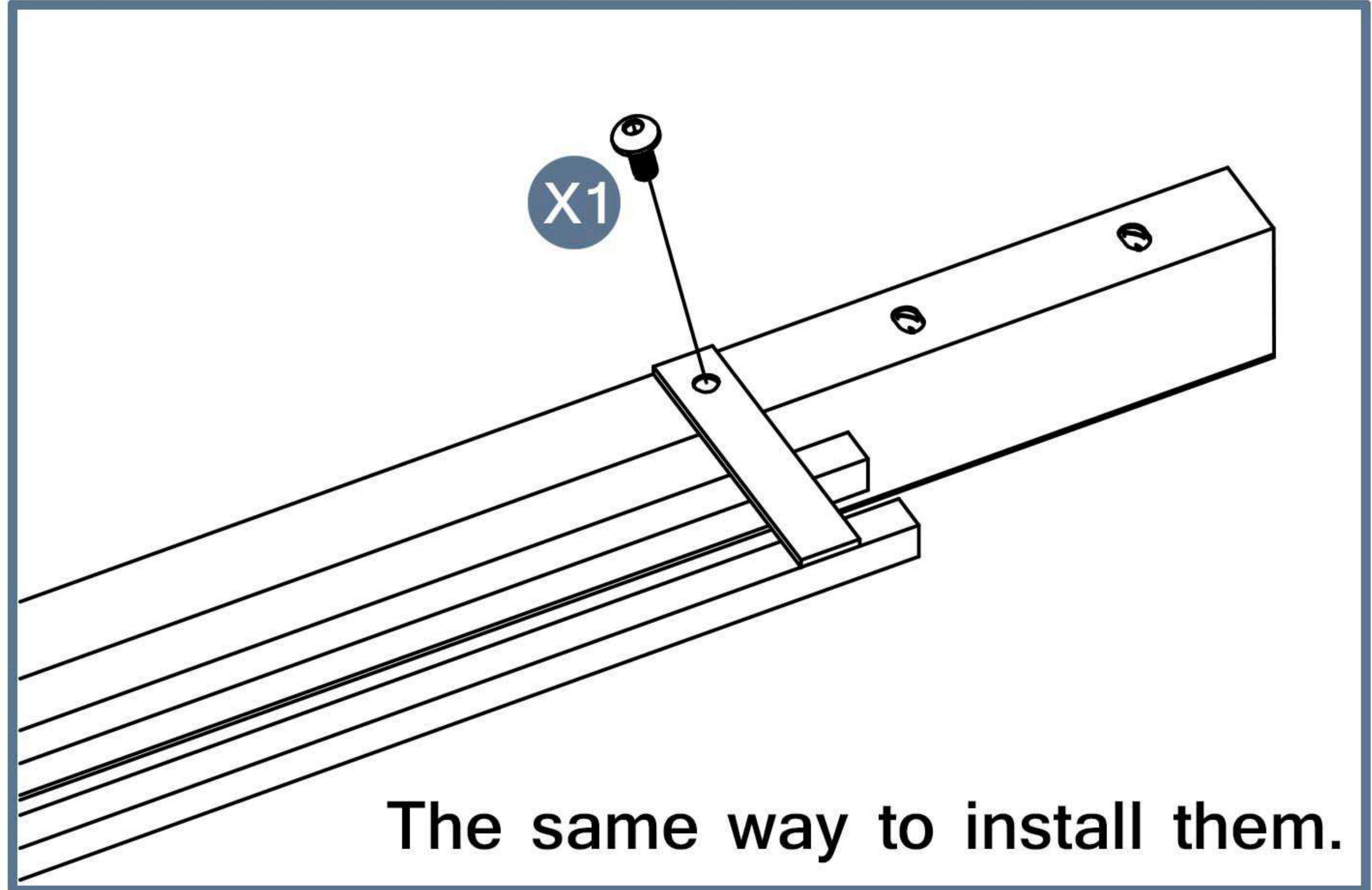
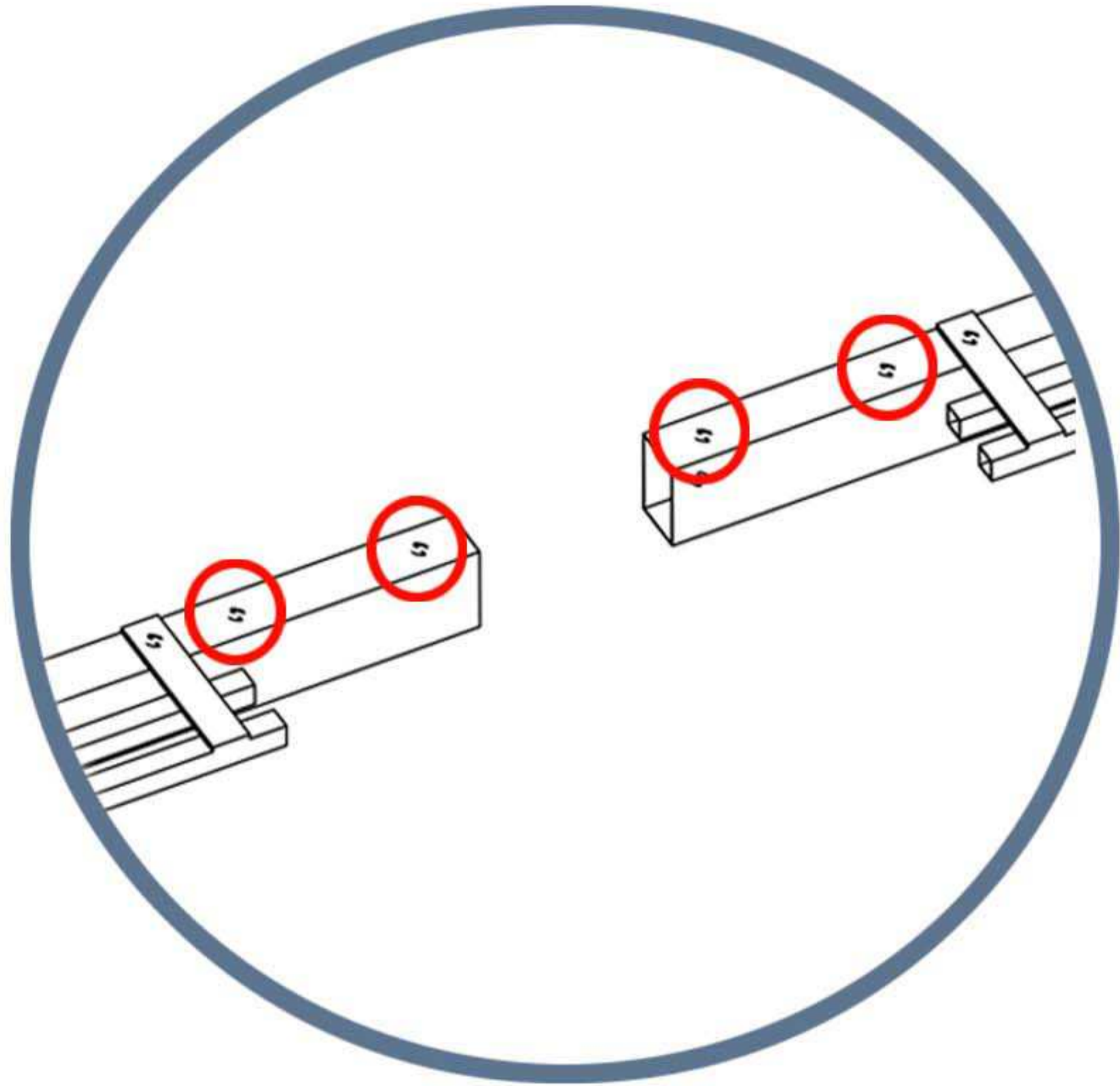
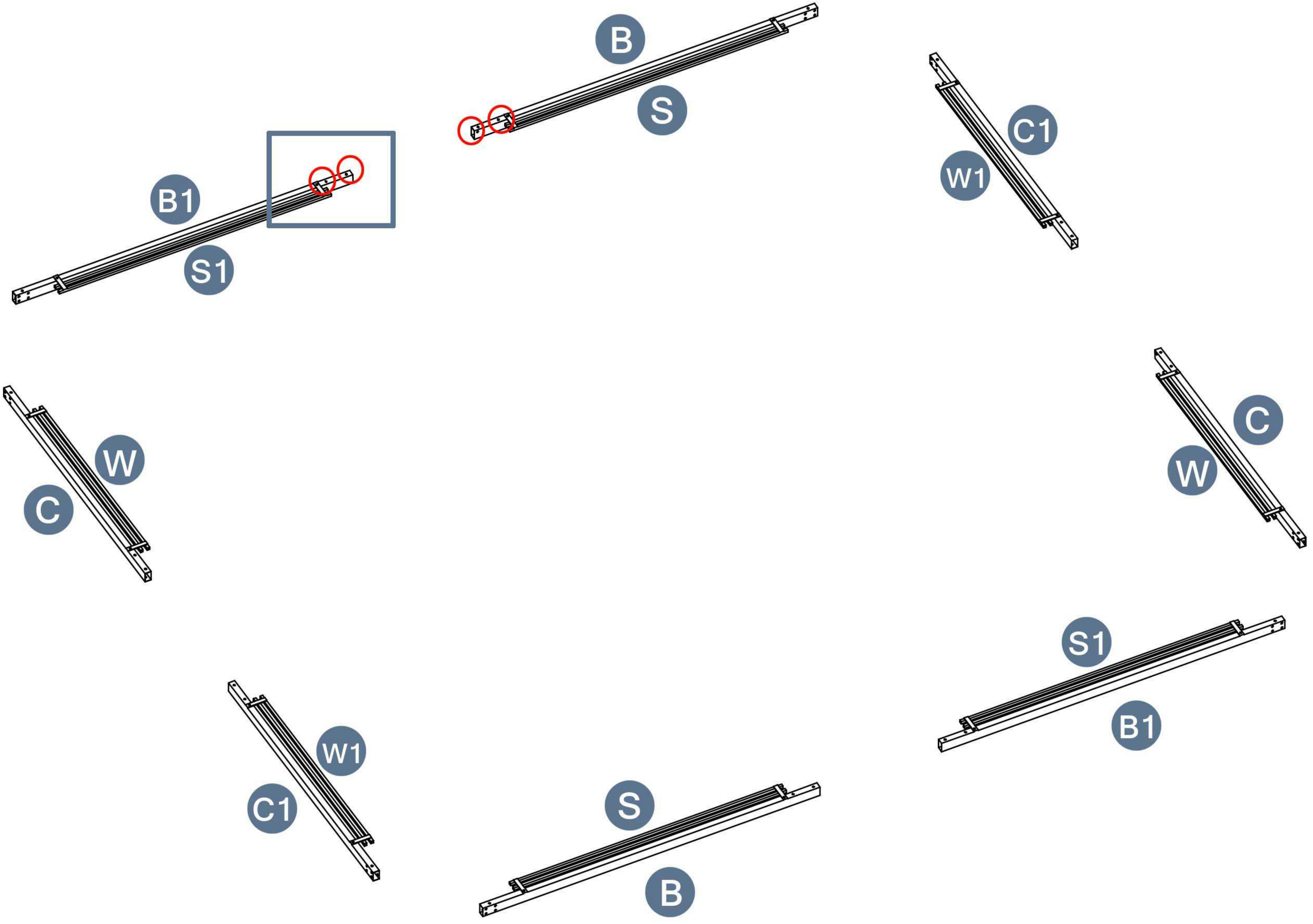


S 2pcs  
S1 2pcs  
W 2pcs  
W1 2pcs



X1 16pcs

For easy installation,  
please put the corresponding combination in advance.



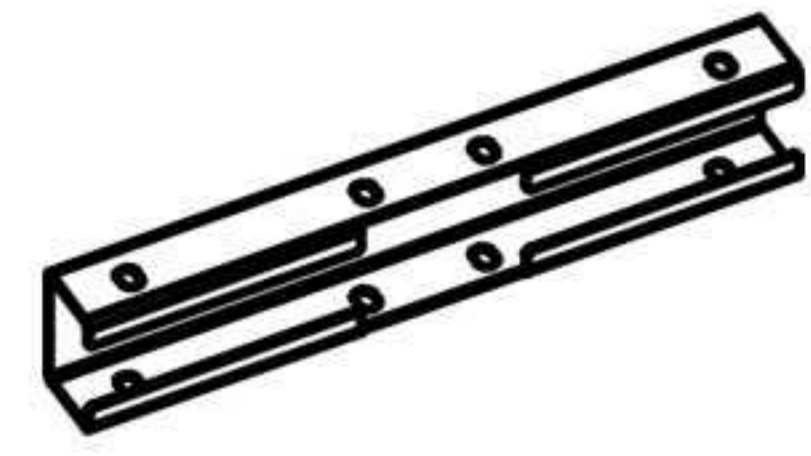
○ To facilitate the next step of installation,  
pay attention to the orientation of the hole

The same way to install them.

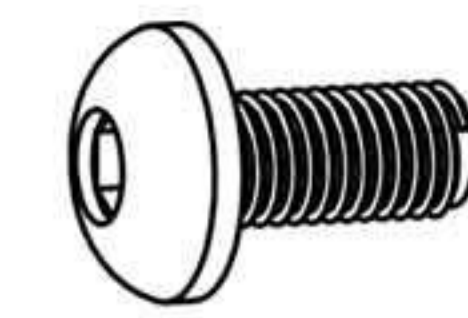
Please take care of the screws and contact the after-sales service if there is any problem with the installation or parts.

# STEP 3

Parts required

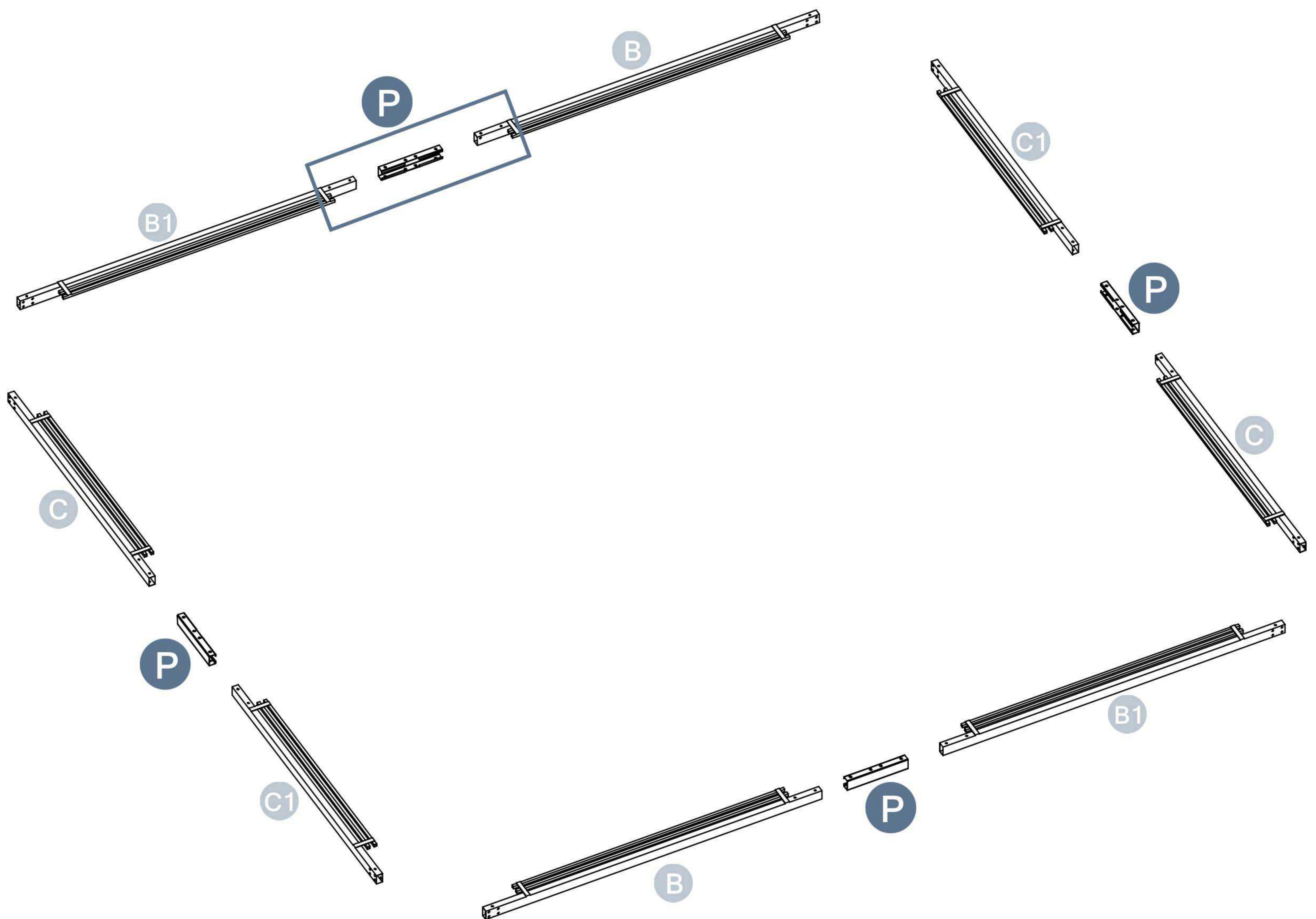
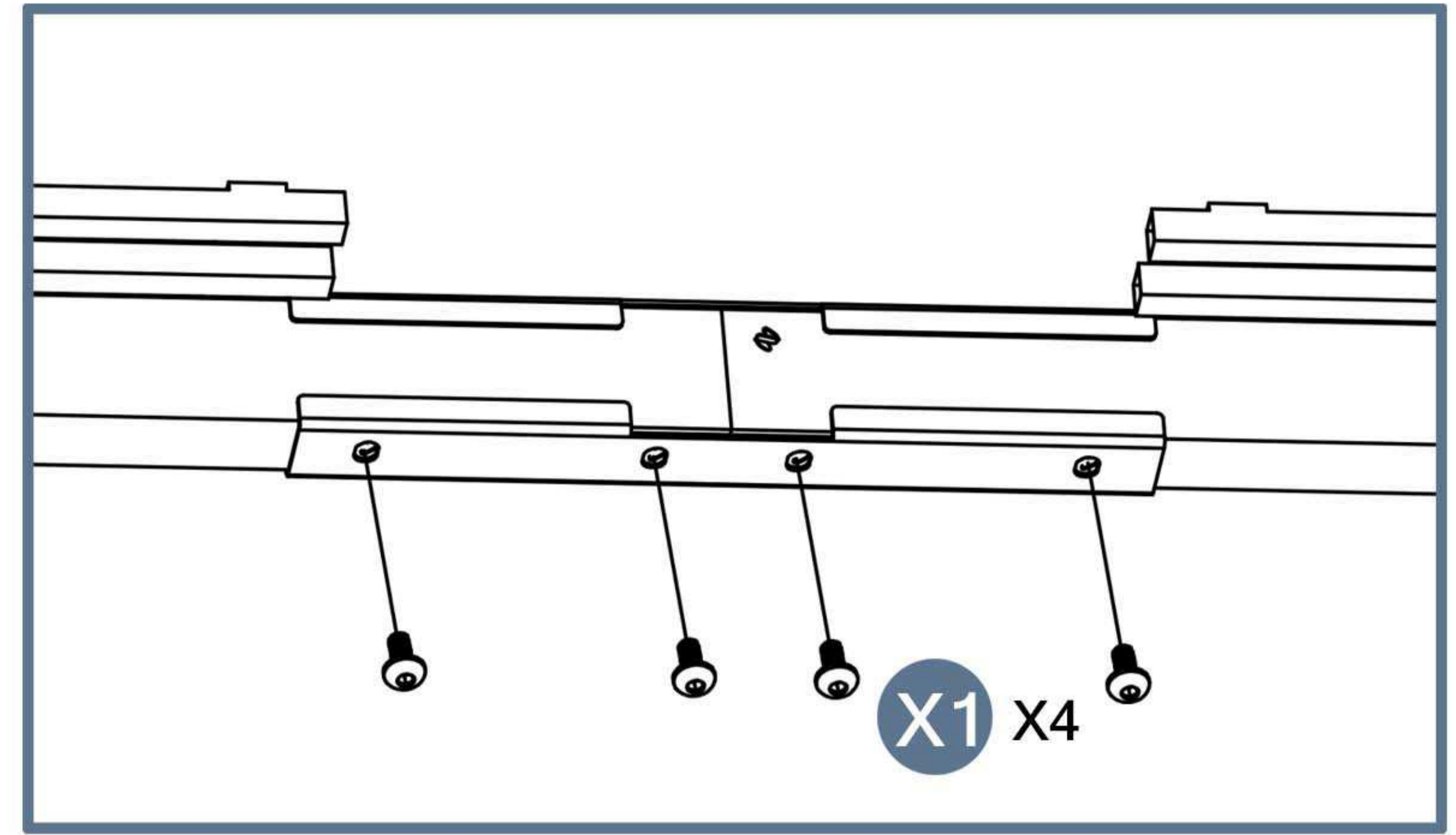
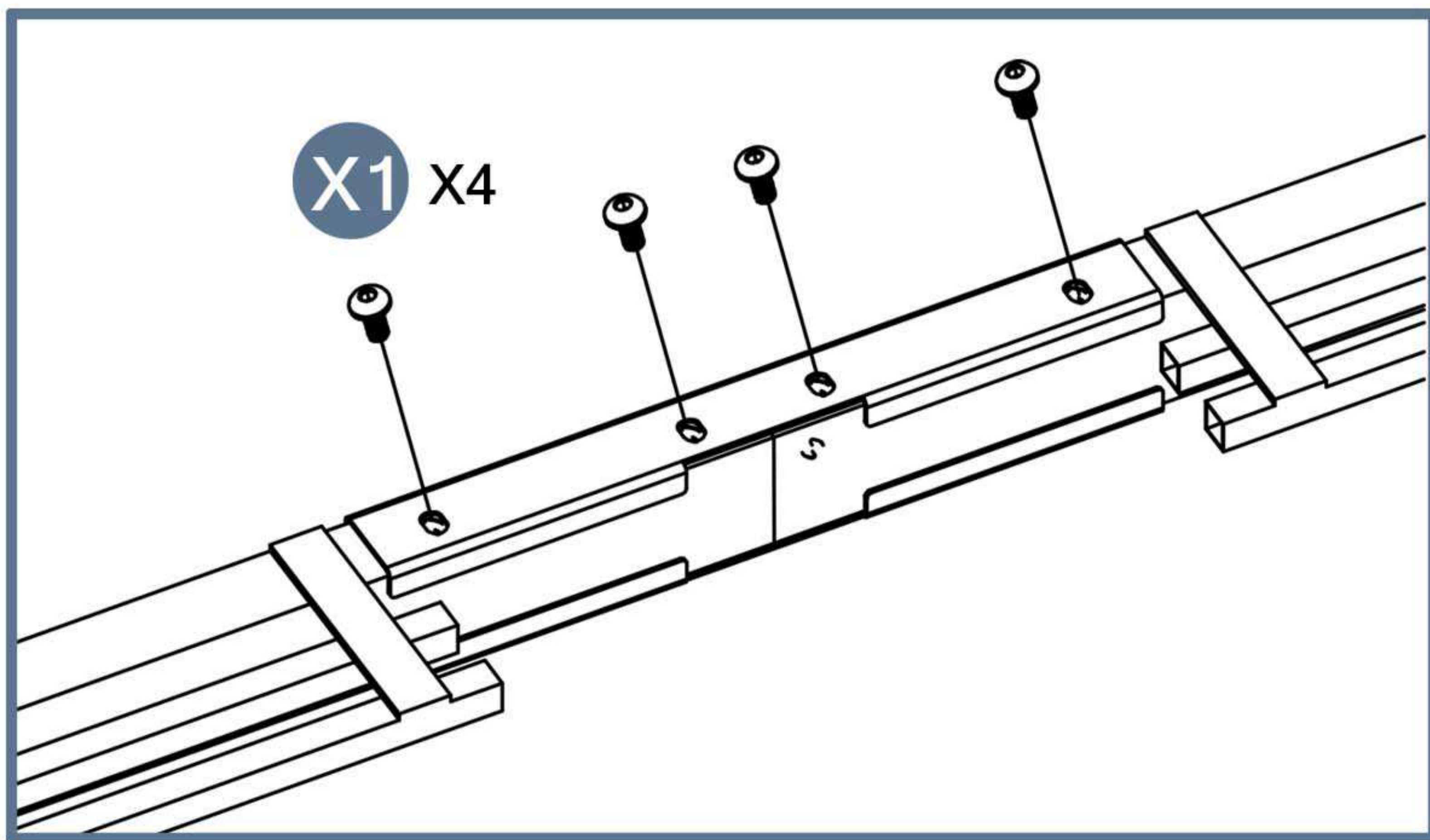
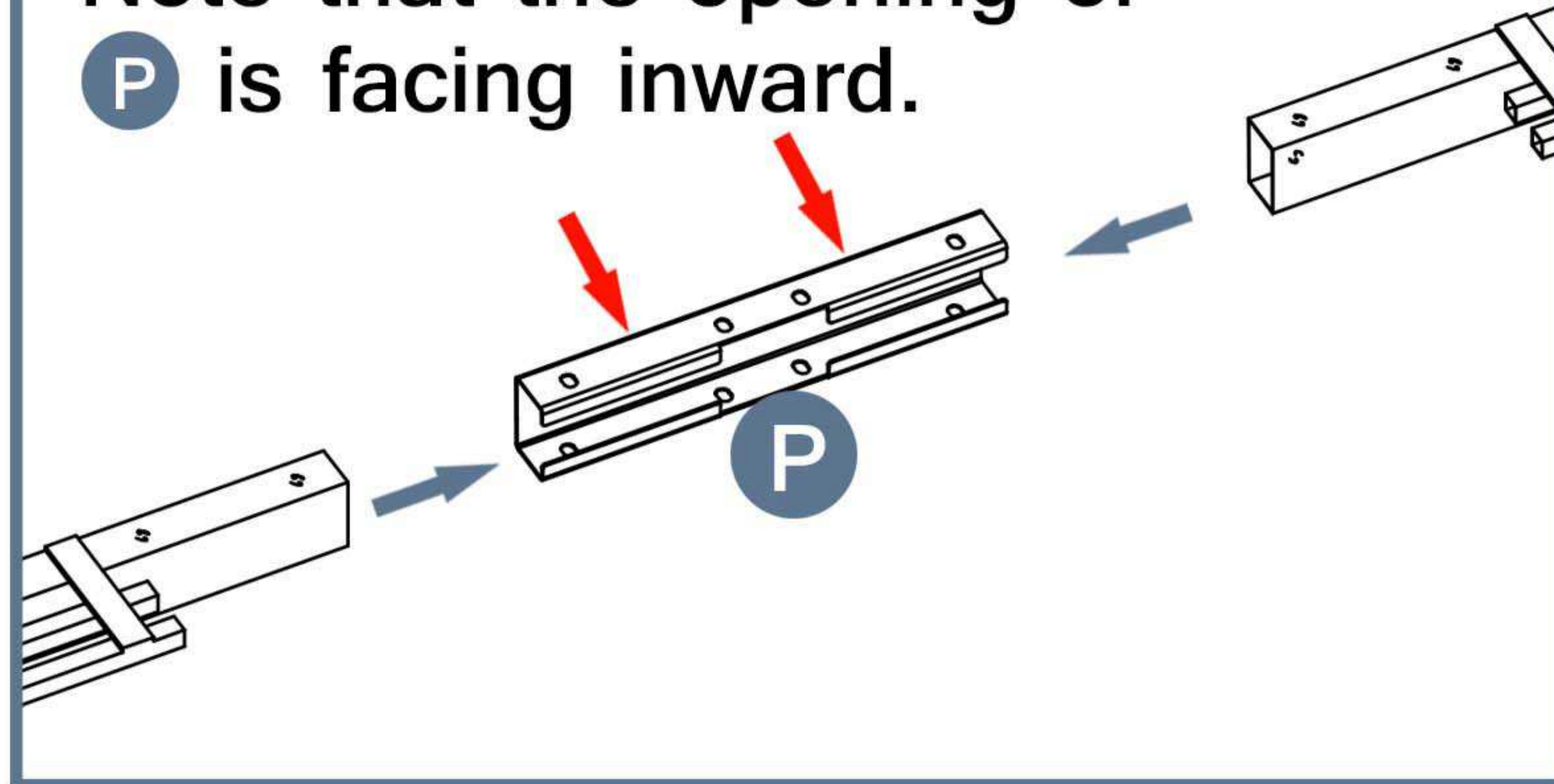


P 4pcs

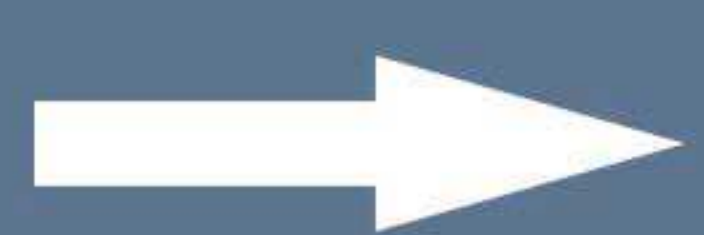


X1 32pcs

Note that the opening of P is facing inward.



Please take care of the screws and contact the after-sales service if there is any problem with the installation or parts.



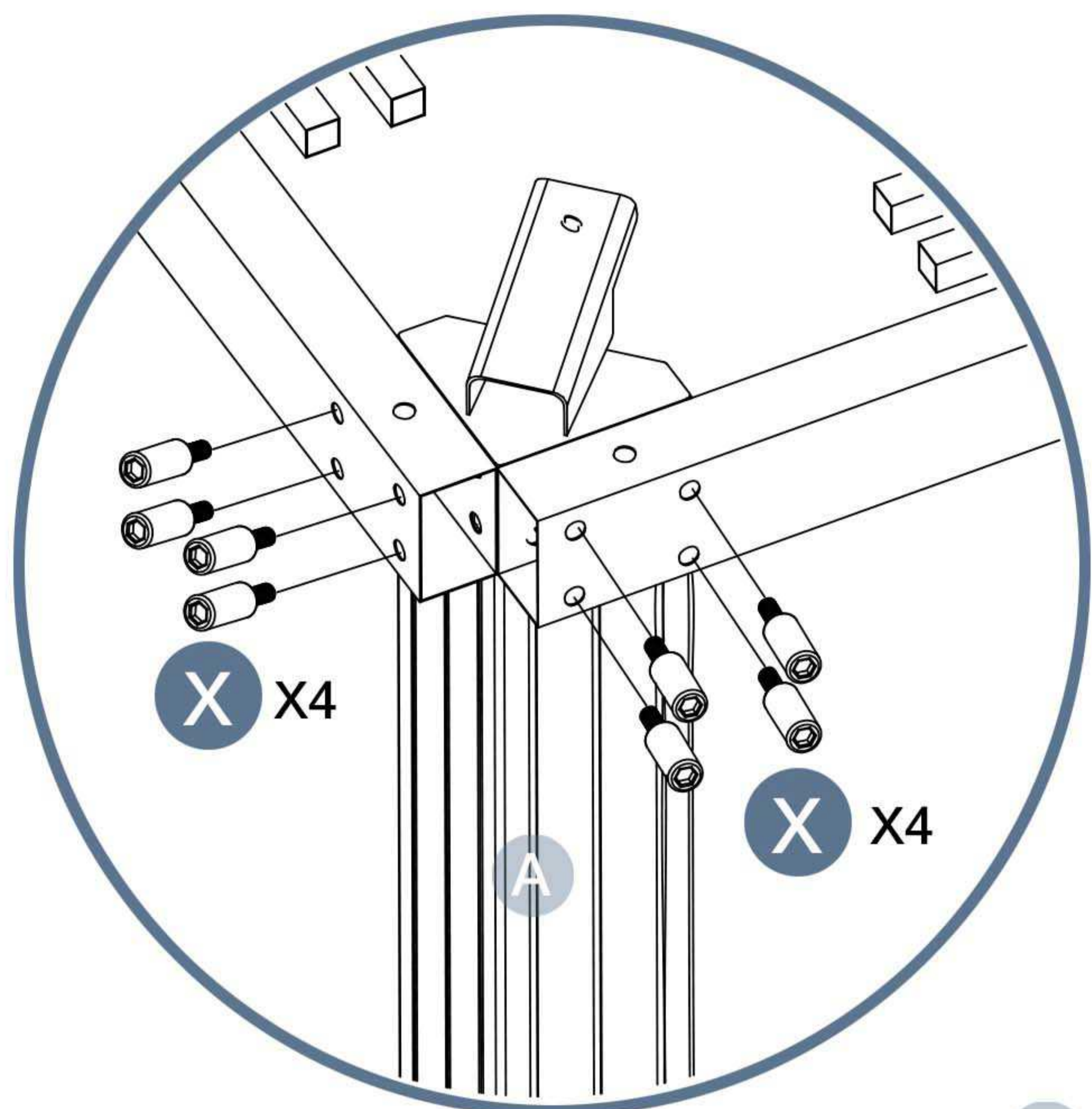
E-mail: [cs.helper01@gmail.com](mailto:cs.helper01@gmail.com)

# STEP 4

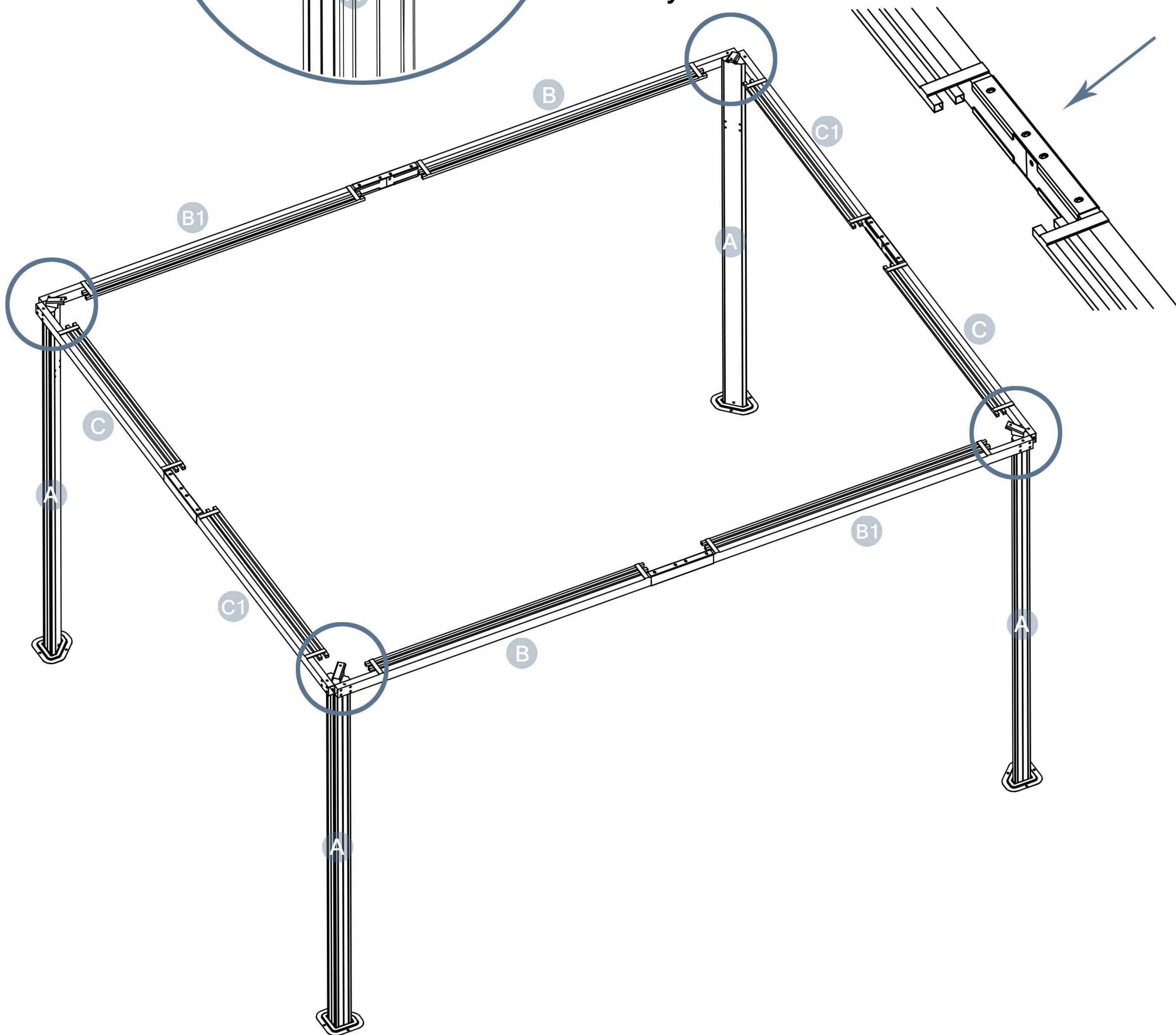
Parts required



X 32pcs



Pay attention to the installation direction



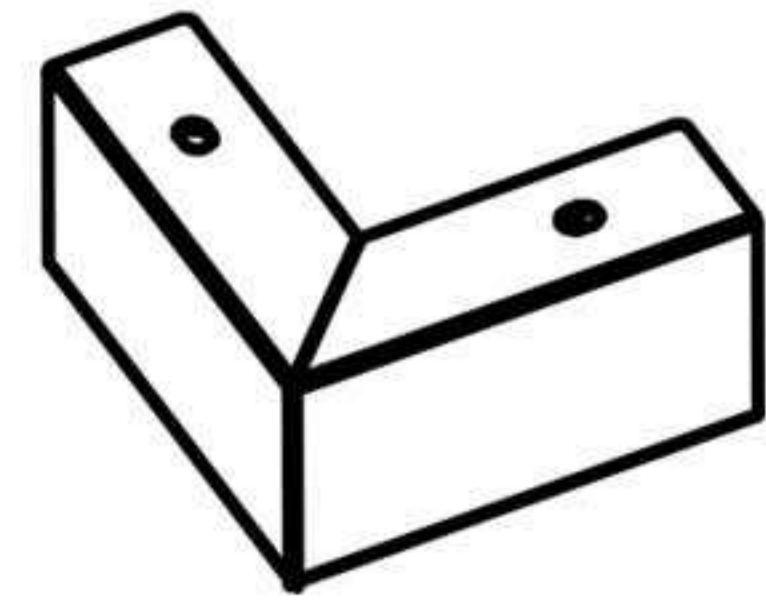
Please take care of the screws and contact the after-sales service if there is any problem with the installation or parts.



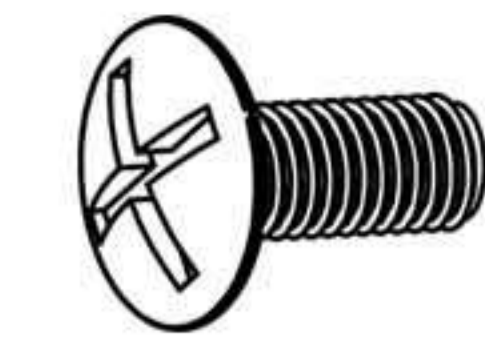
E-mail: [cs.helper01@gmail.com](mailto:cs.helper01@gmail.com)

# STEP 5

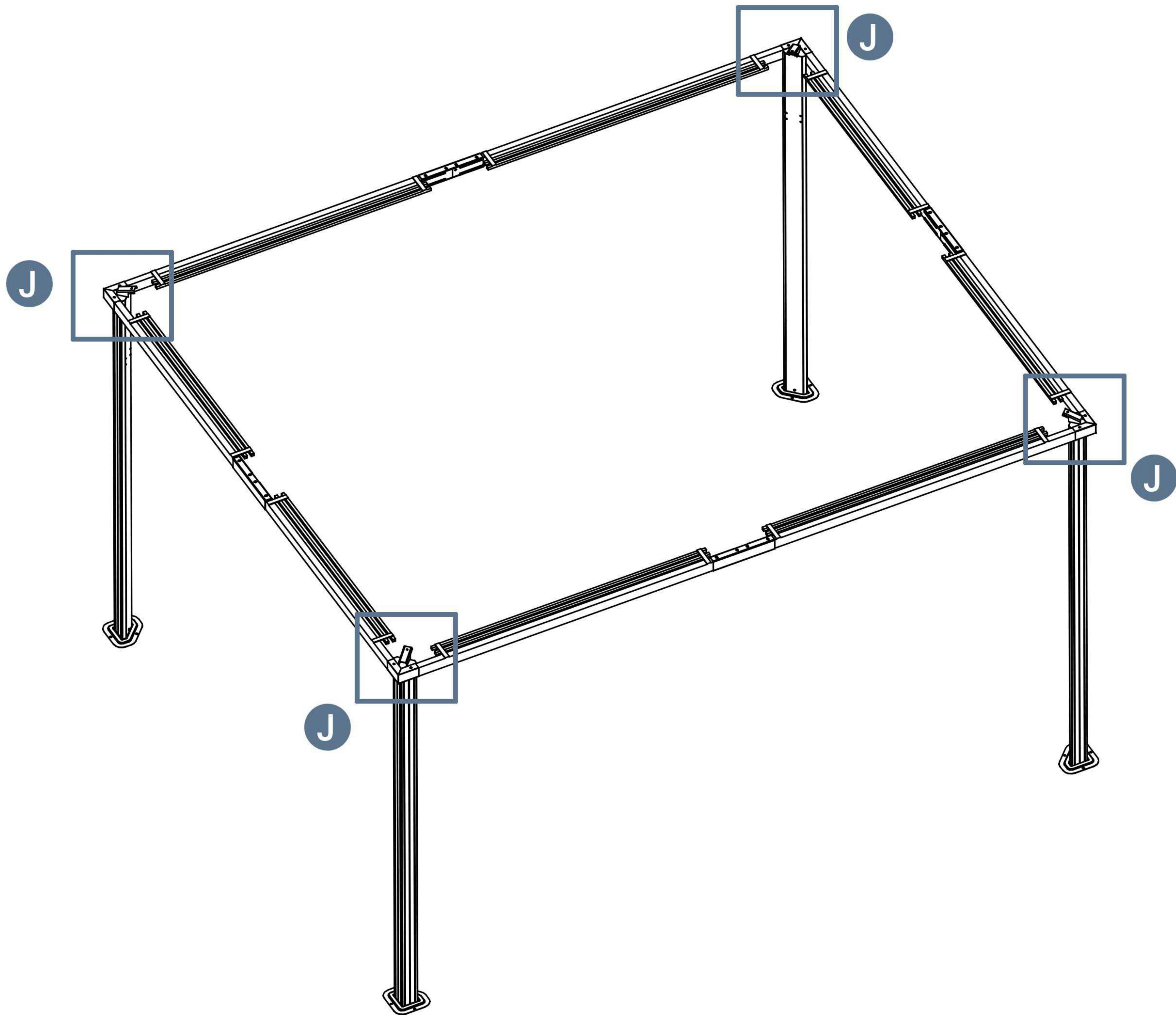
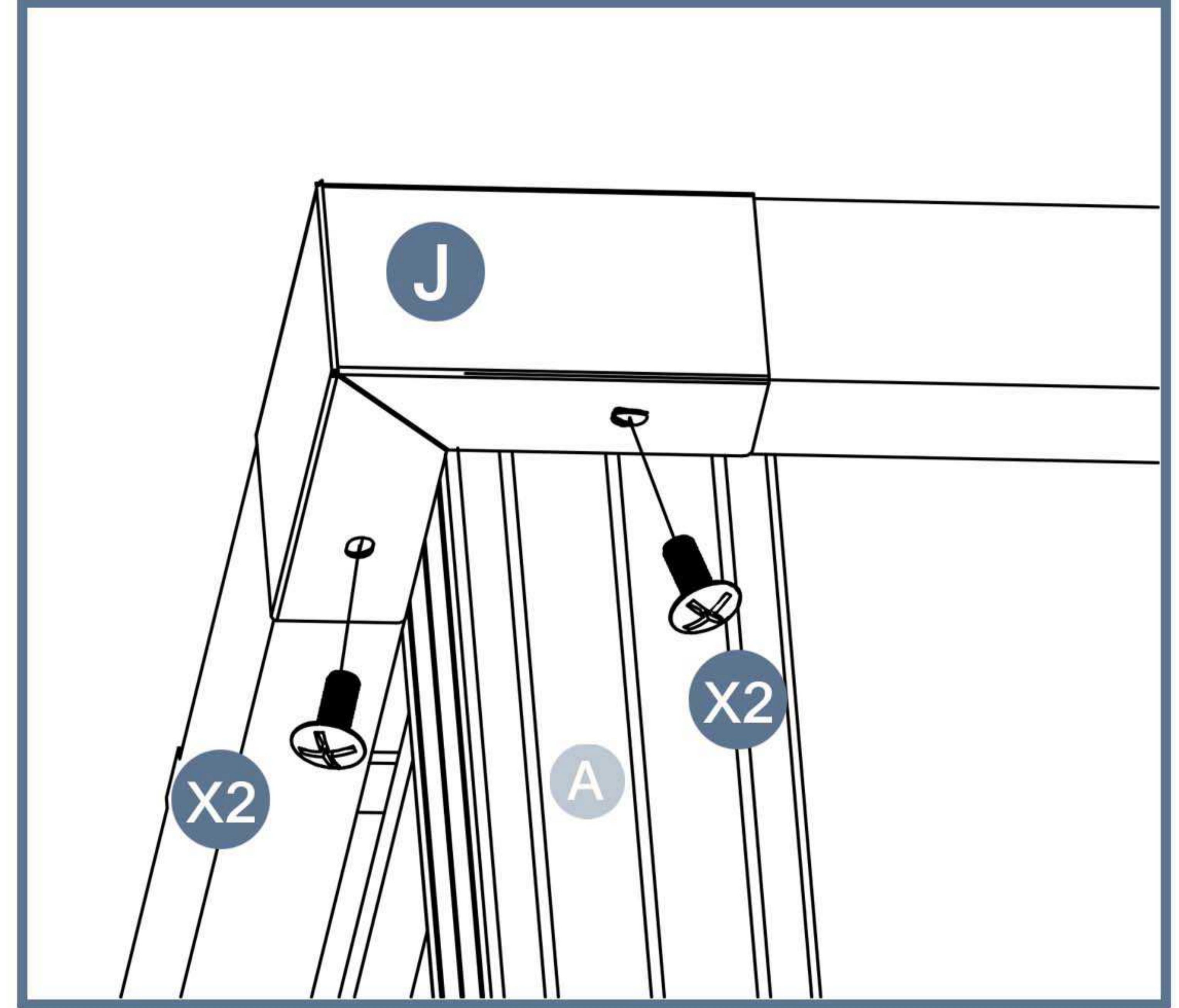
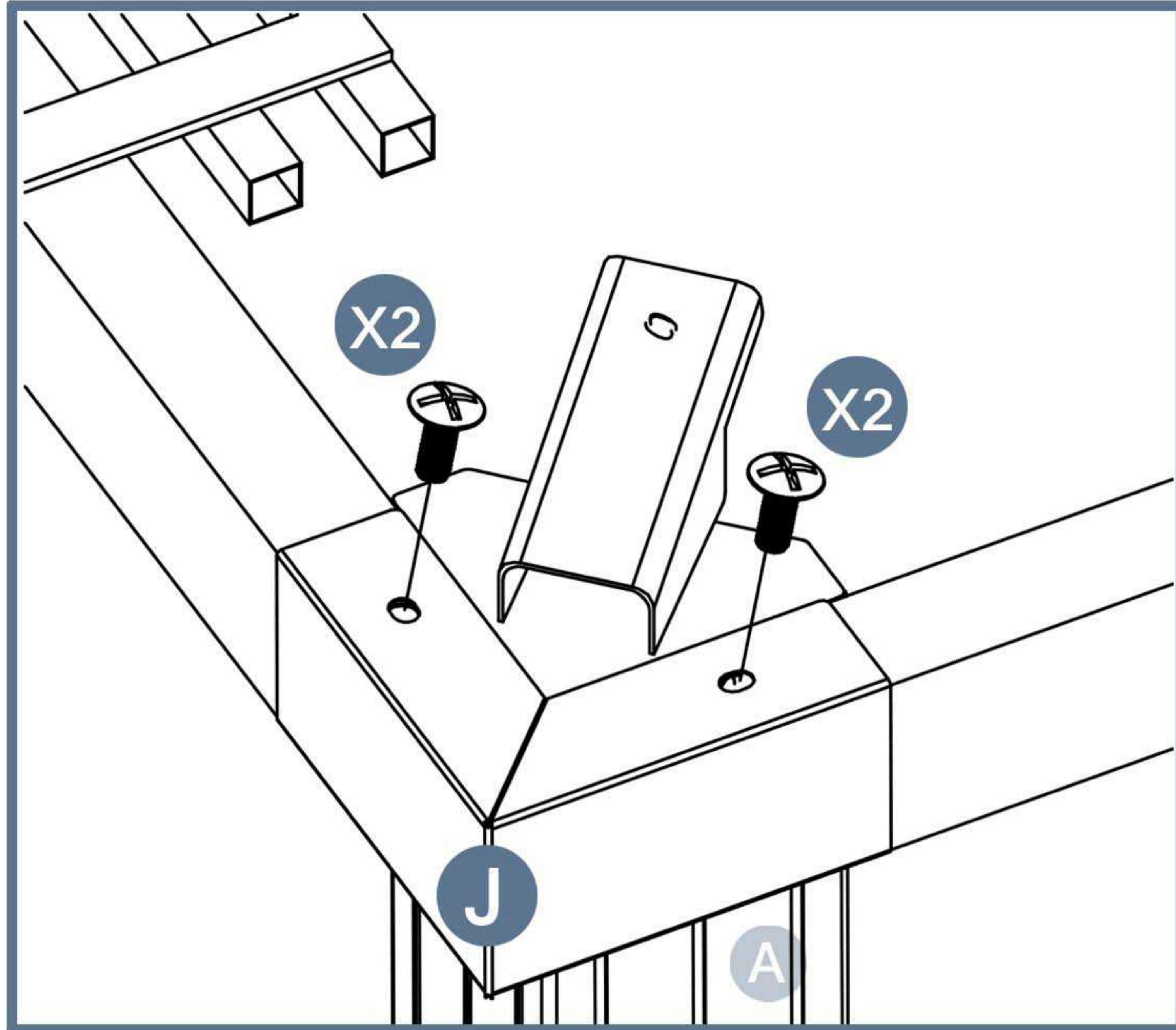
Parts required



J 4pcs



X2 16pcs

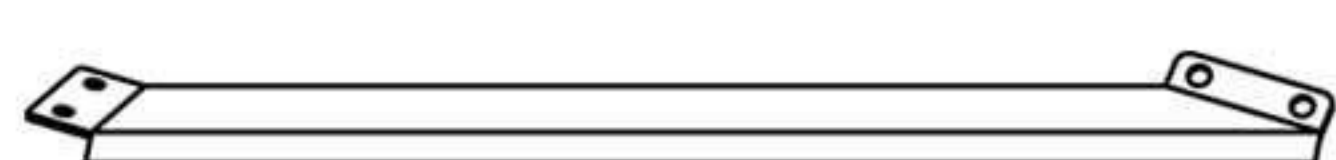


Please take care of the screws and contact the after-sales service if there is any problem with the installation or parts.

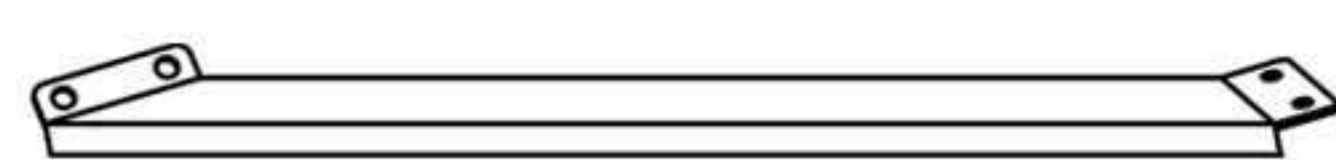
➔ ✉ E-mail: [cs.helper01@gmail.com](mailto:cs.helper01@gmail.com)

# STEP 6

Parts required



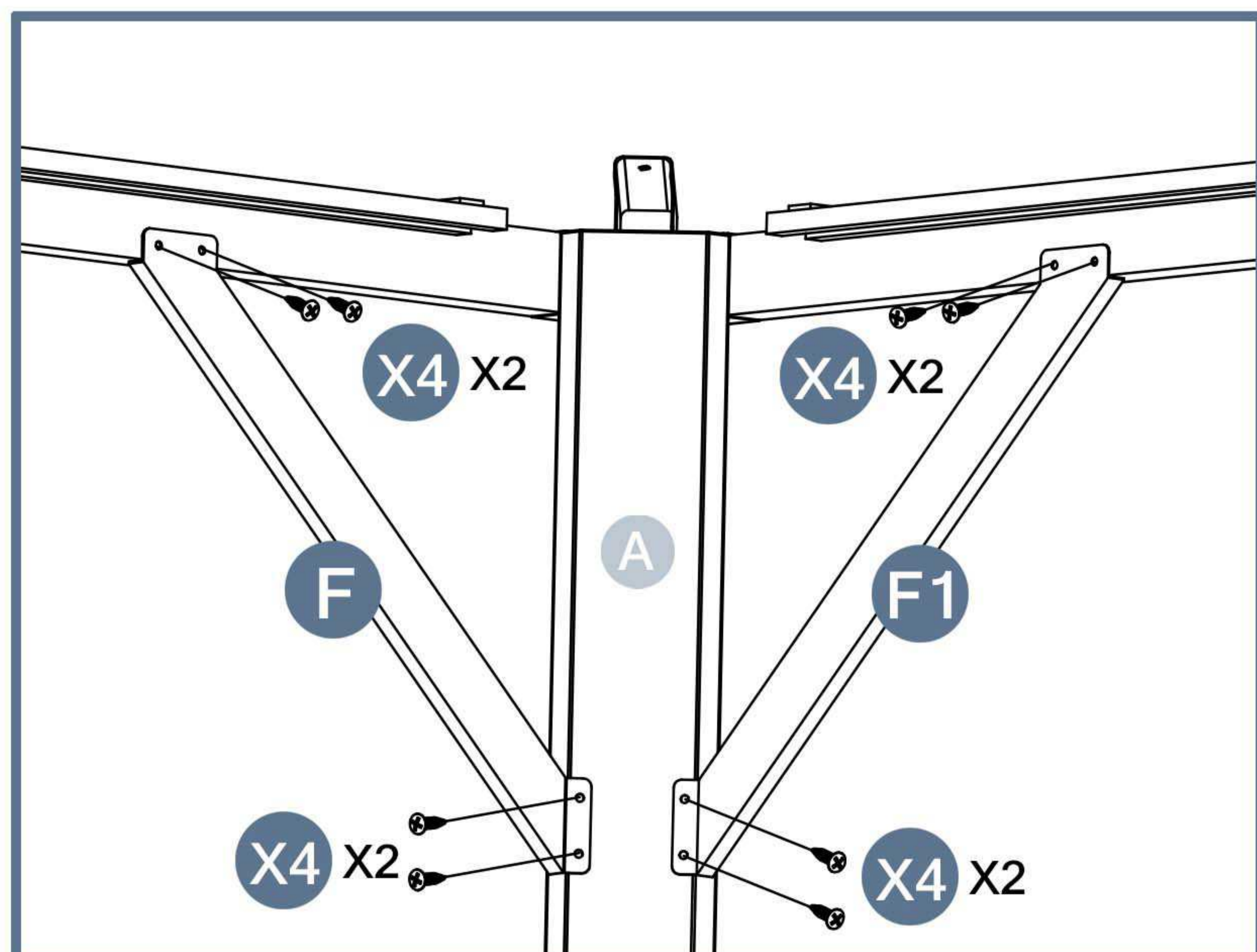
F 4pcs



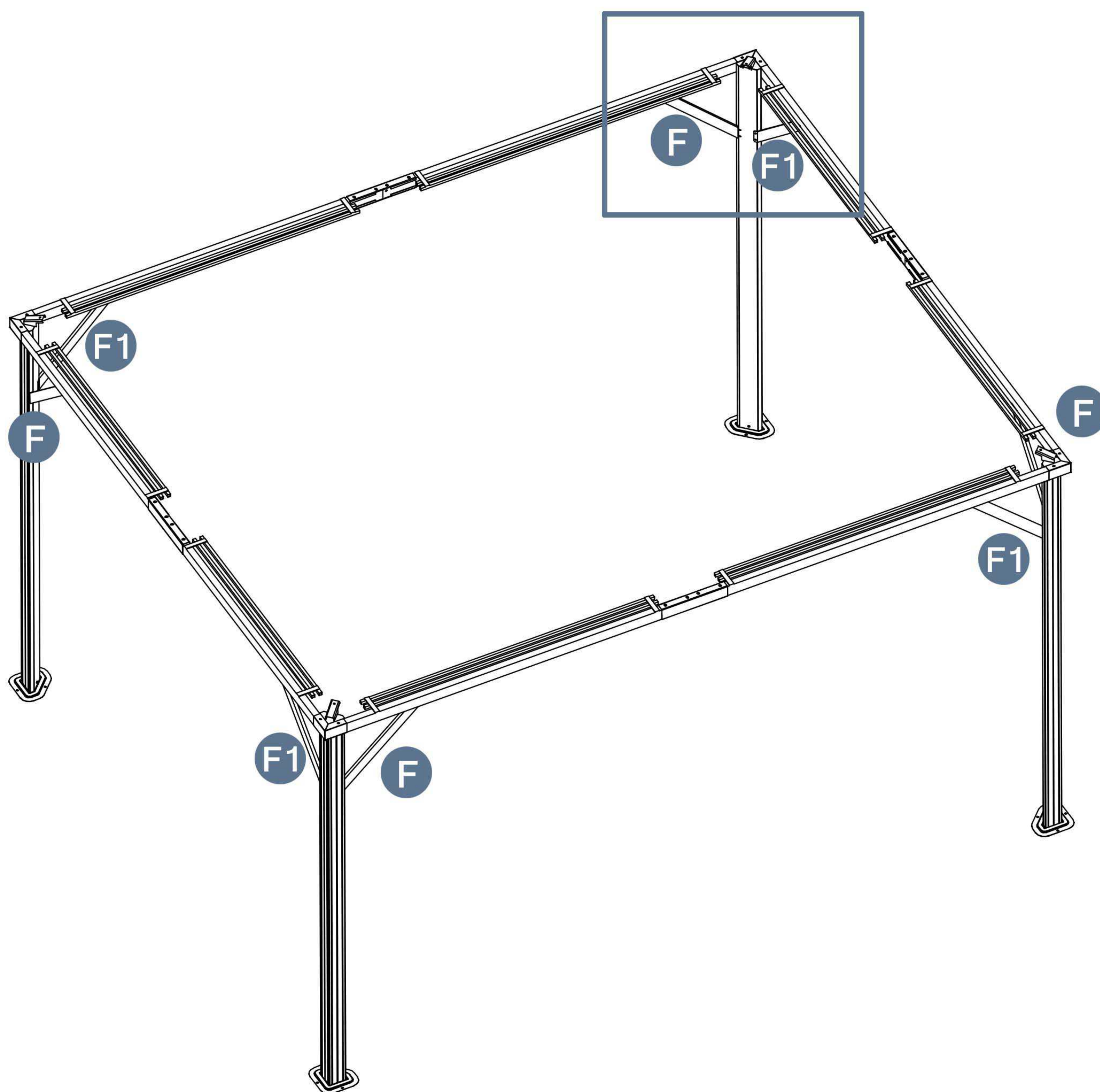
F1 4pcs



X4 32pcs



Pay attention to the mounting position of F and F1 .



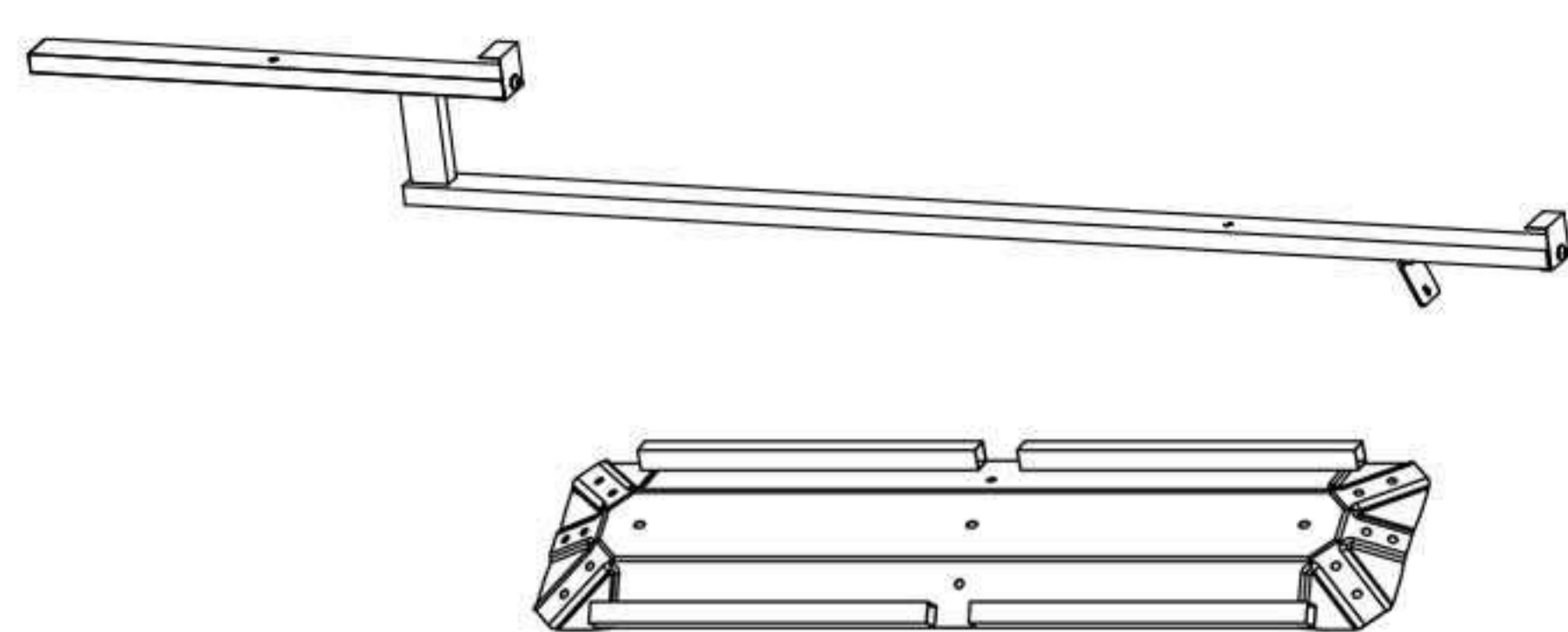
Please take care of the screws and contact the after-sales service if there is any problem with the installation or parts.



E-mail: [cs.helper01@gmail.com](mailto:cs.helper01@gmail.com)

# STEP 7

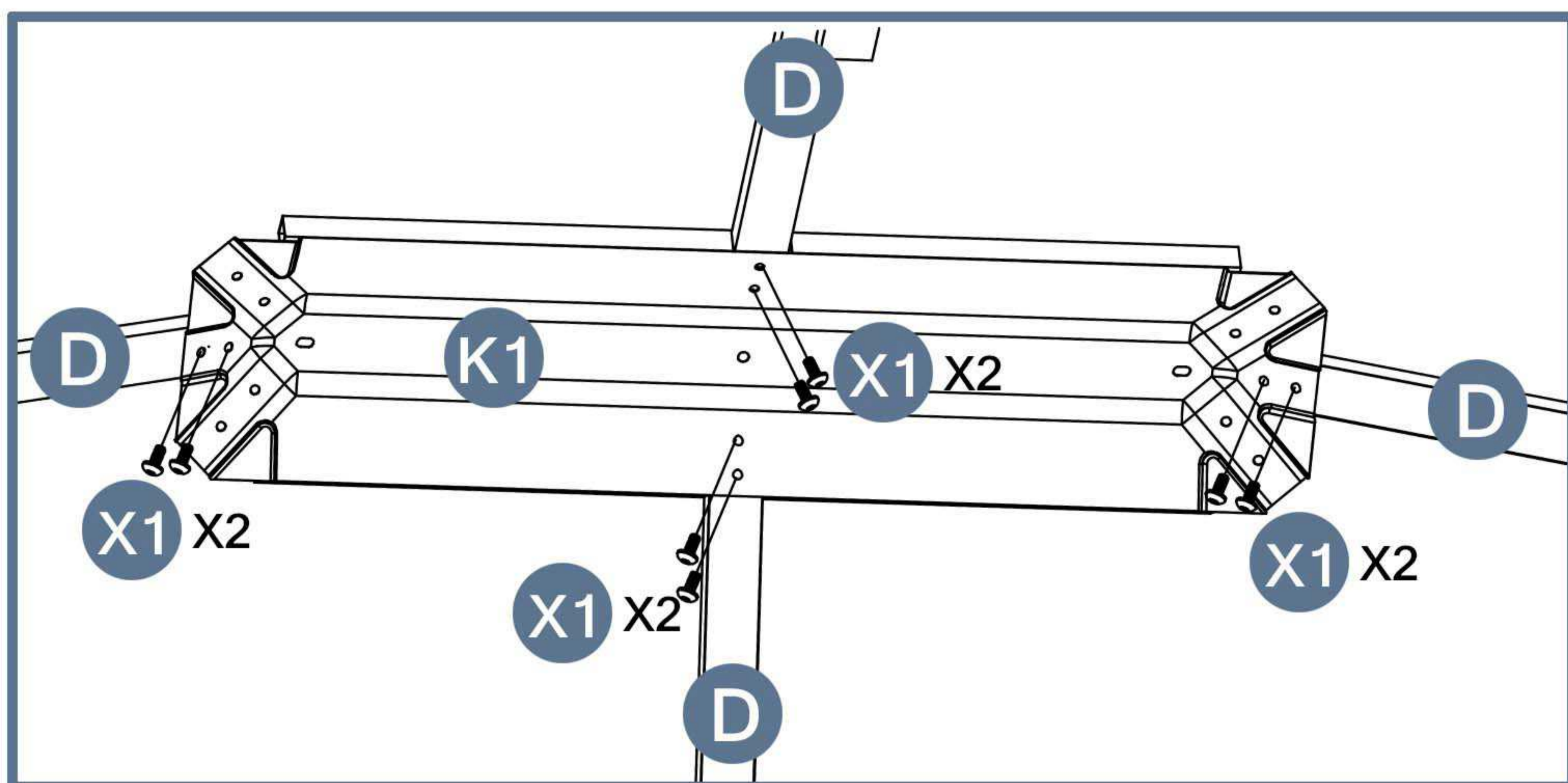
Parts required



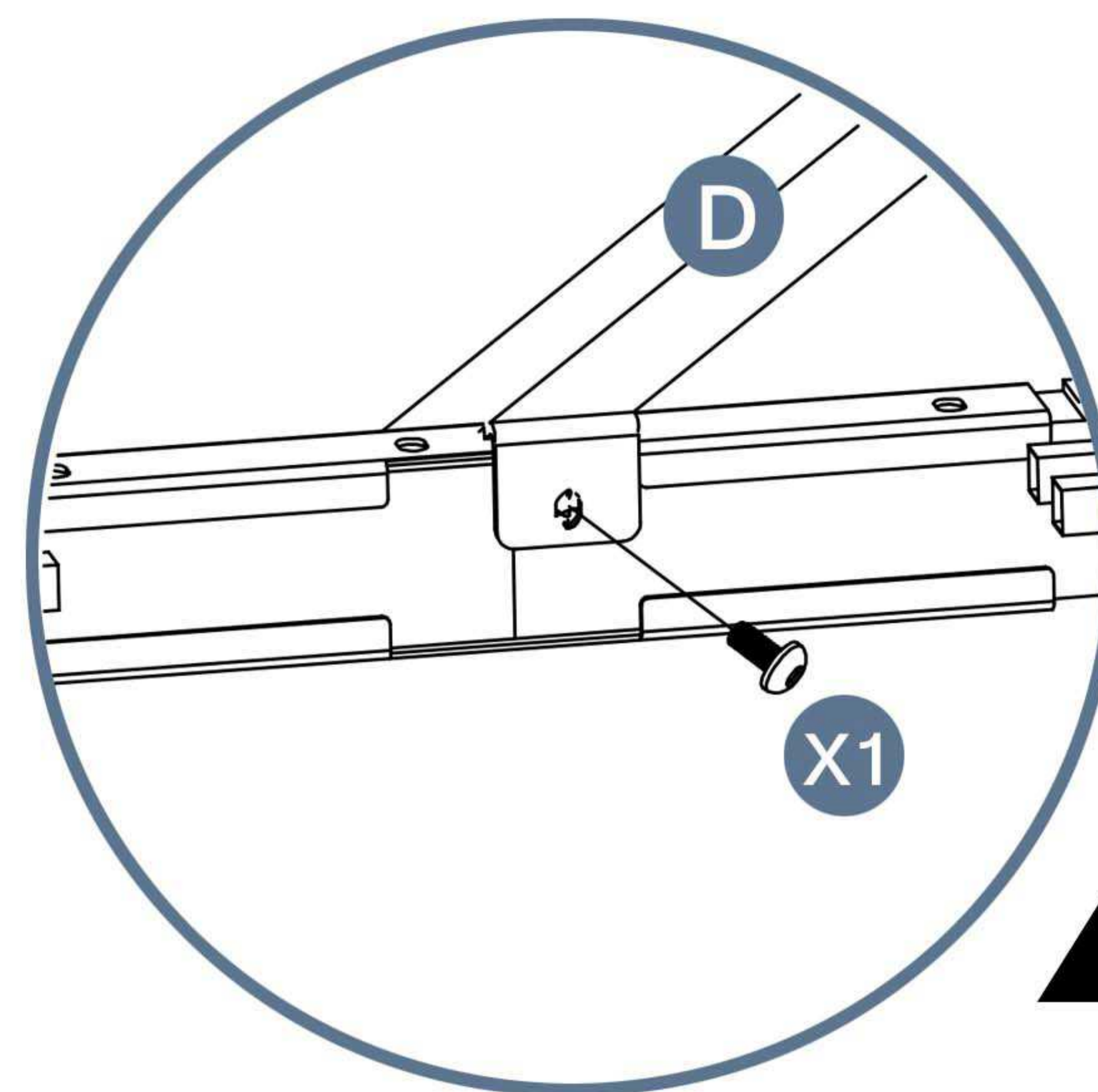
D 4pcs

K1 1pcs

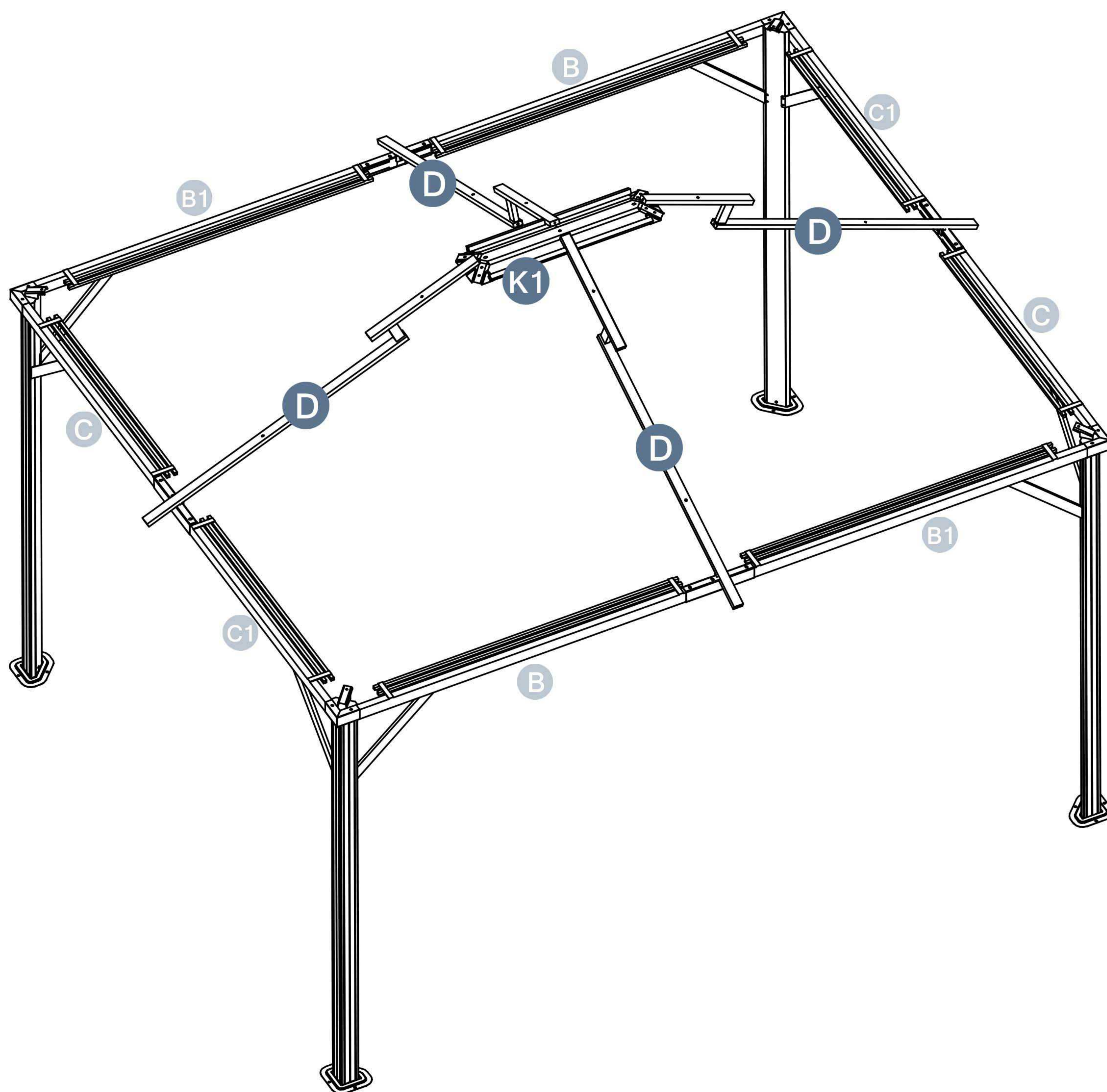
X1 12pcs



1



2

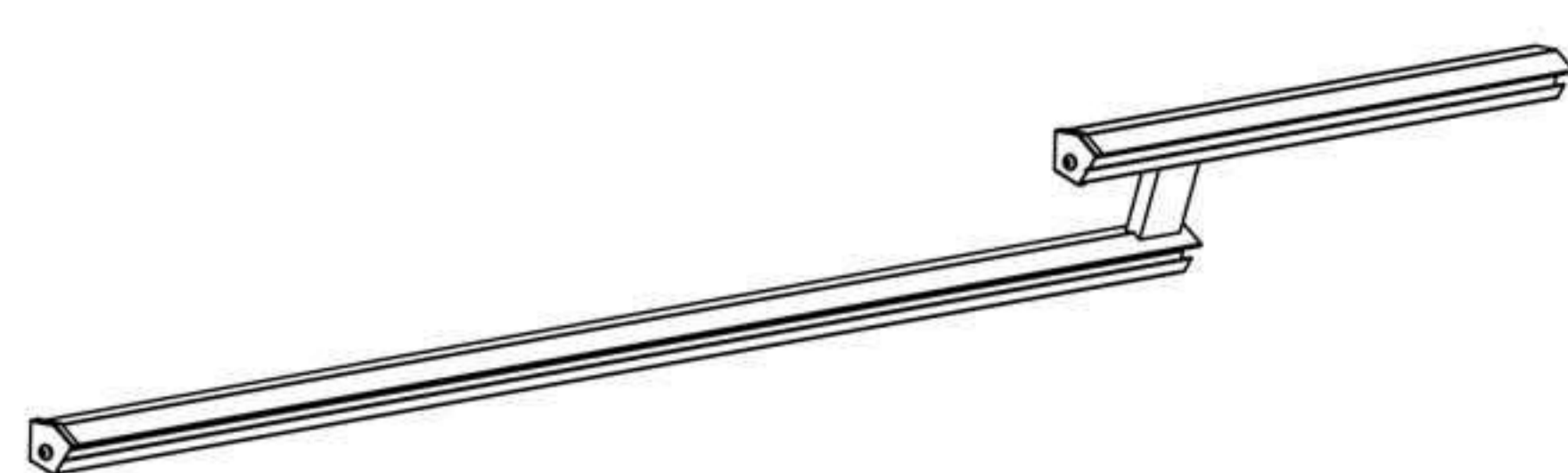


Please take care of the screws and contact the after-sales service if there is any problem with the installation or parts.

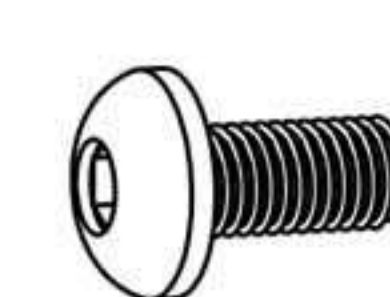
➔ ✉ E-mail: [cs.helper01@gmail.com](mailto:cs.helper01@gmail.com)

# STEP 8

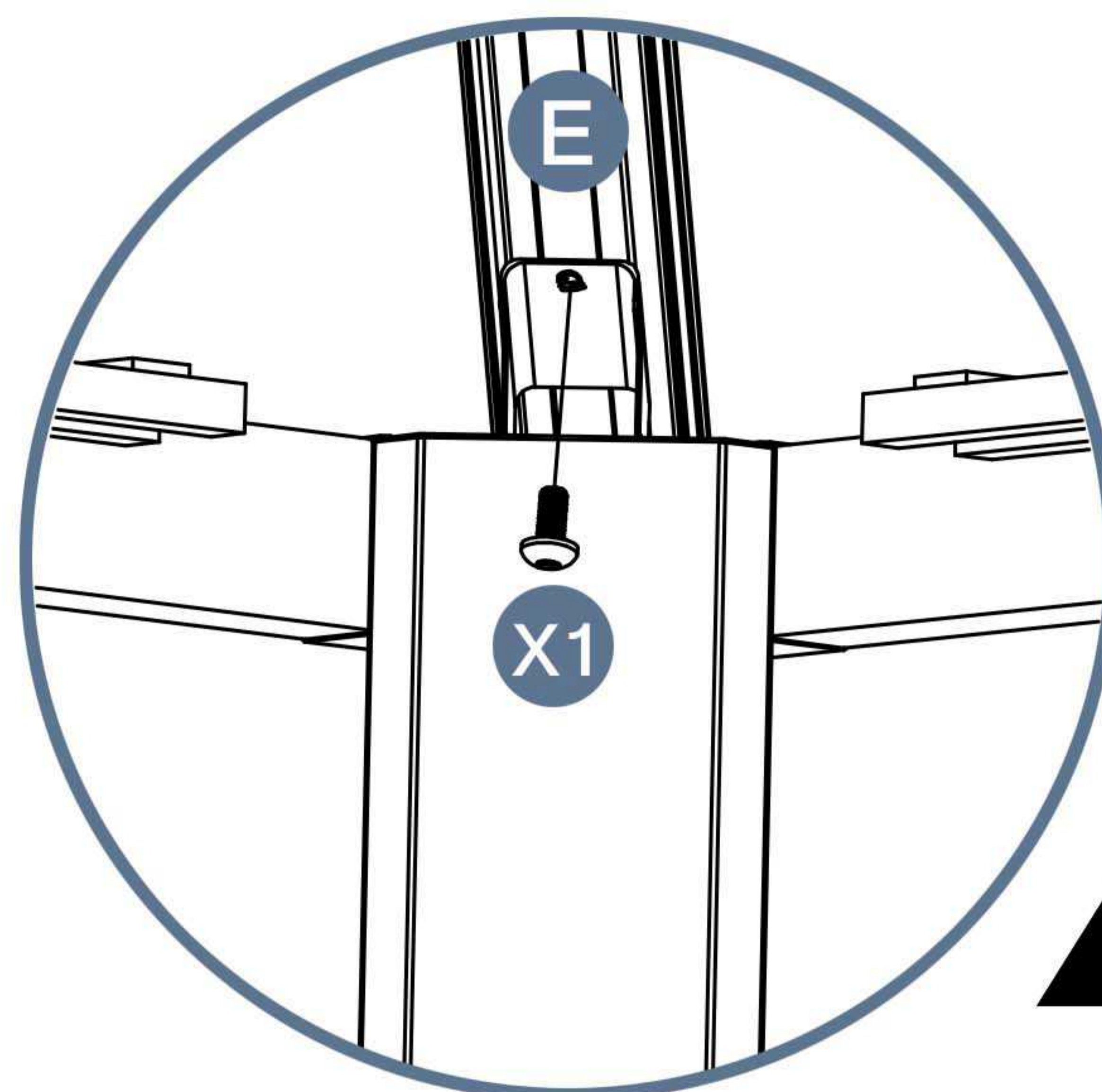
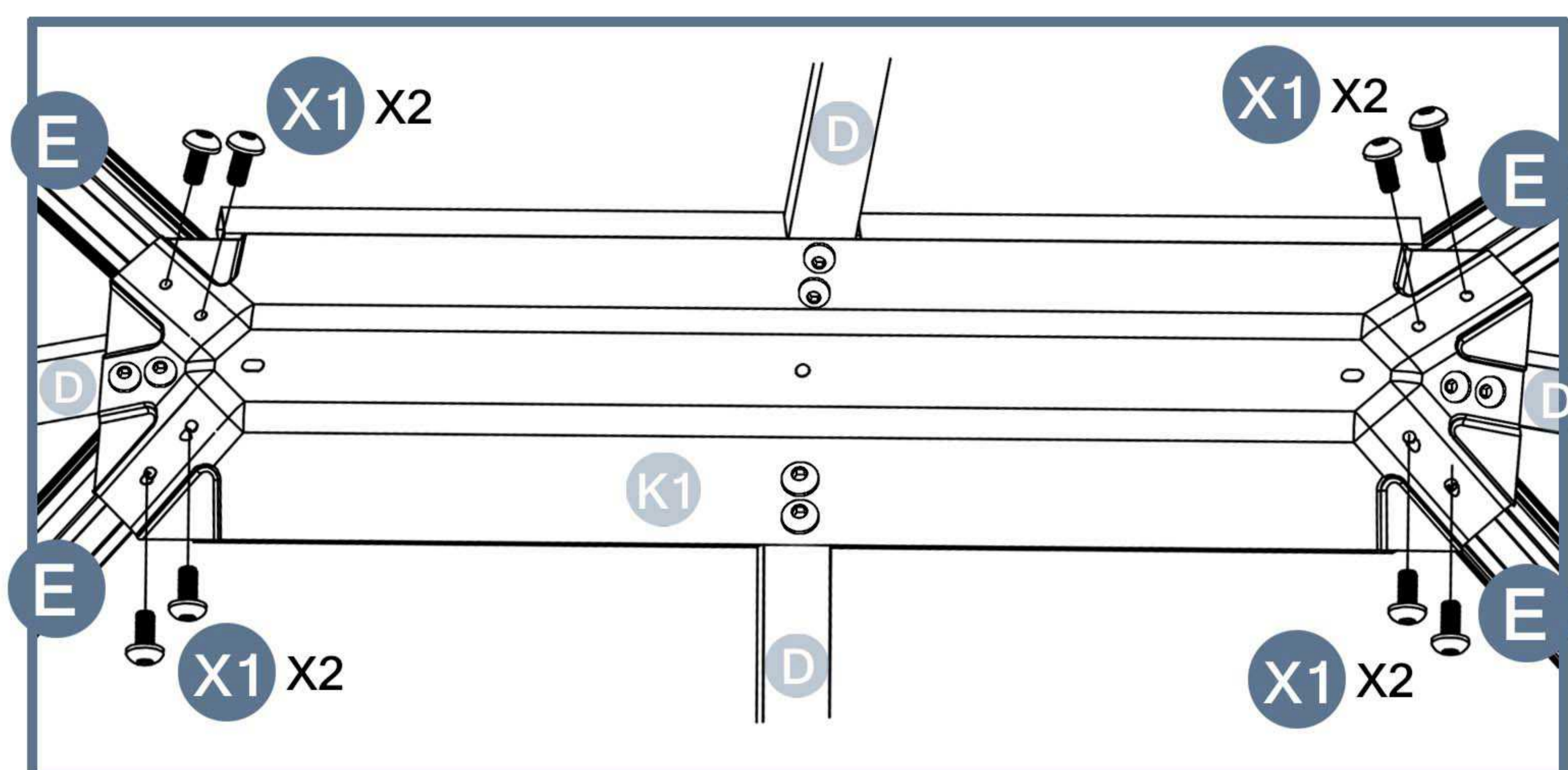
Parts required



**E** 4pcs



**X1** 12pcs



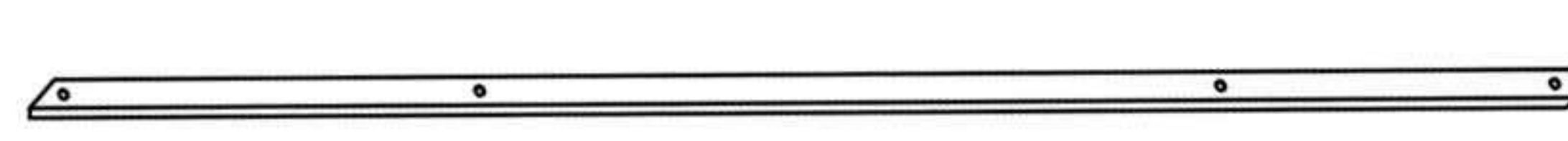
Please take care of the screws and contact the after-sales service if there is any problem with the installation or parts.



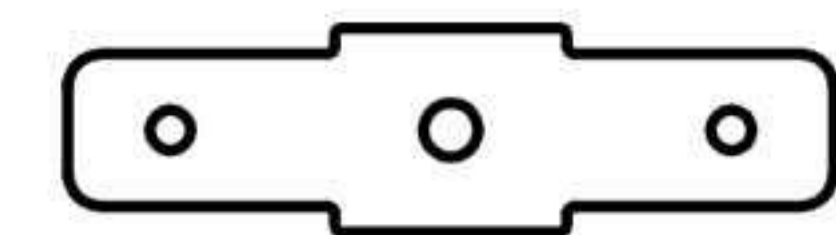
E-mail: [cs.helper01@gmail.com](mailto:cs.helper01@gmail.com)

# STEP 9

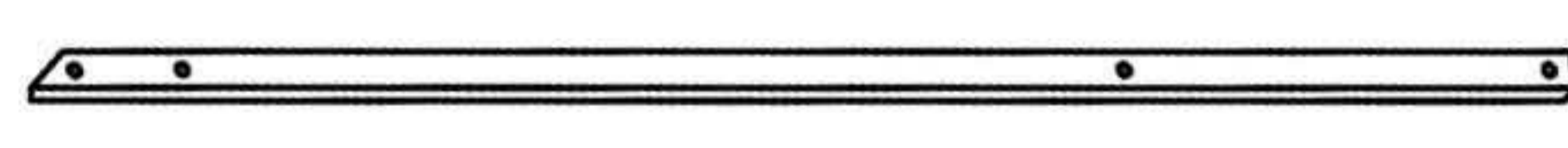
Parts required



H1 4pcs



M3 4pcs

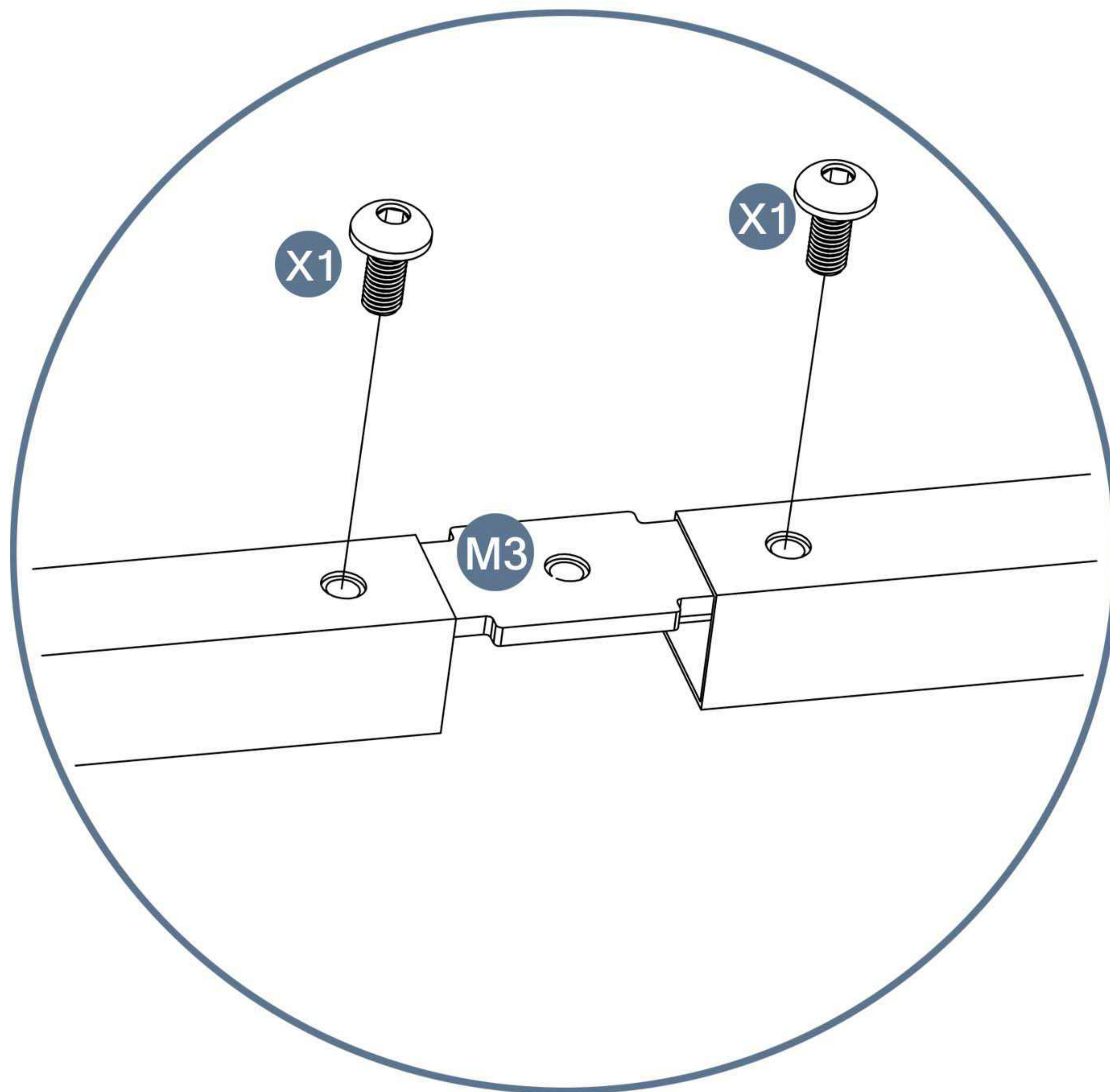
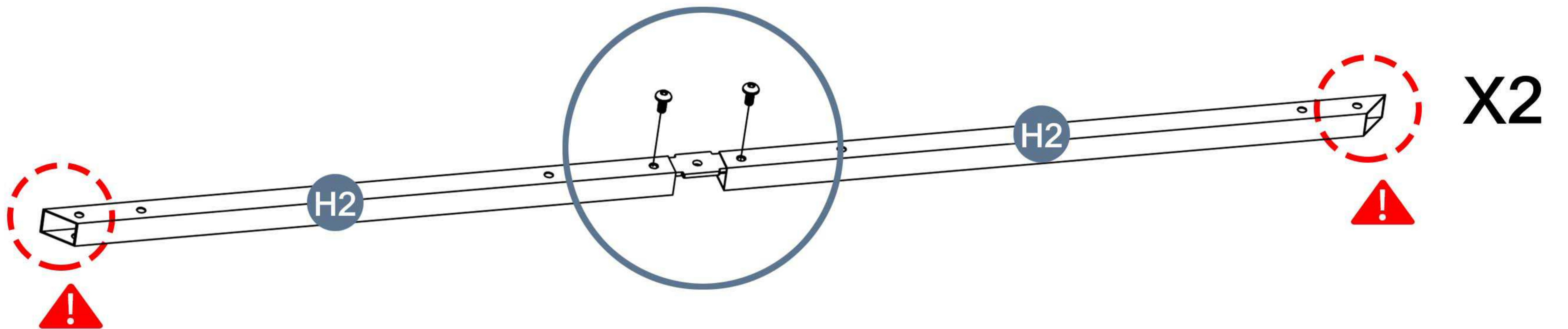
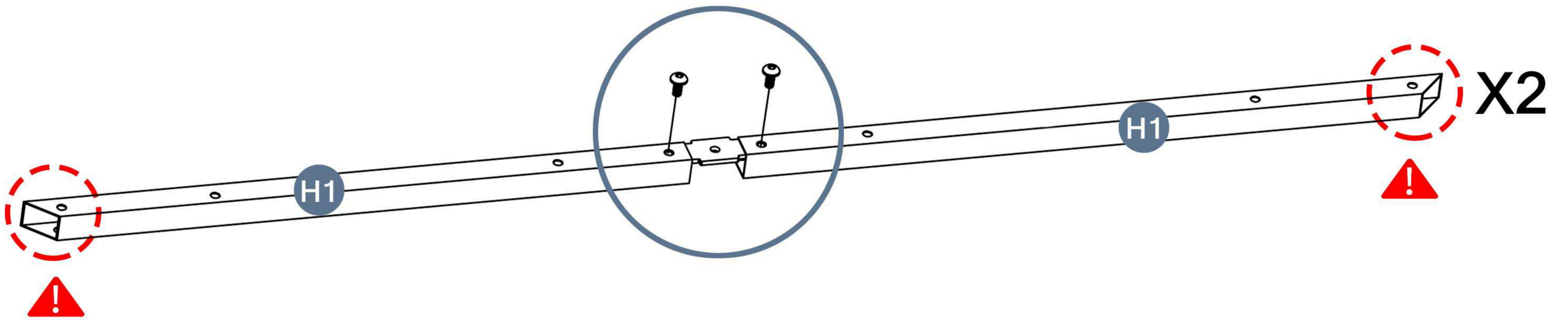


H2 4pcs



X1 8pcs

⚠ Part H should be placed as shown in the picture.

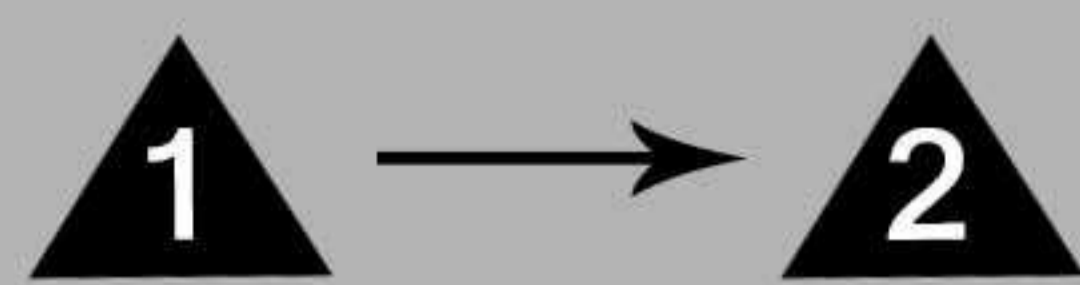


Please take care of the screws and contact the after-sales service if there is any problem with the installation or parts.

➔ ✉ E-mail: [cs.helper01@gmail.com](mailto:cs.helper01@gmail.com)

# STEP 10

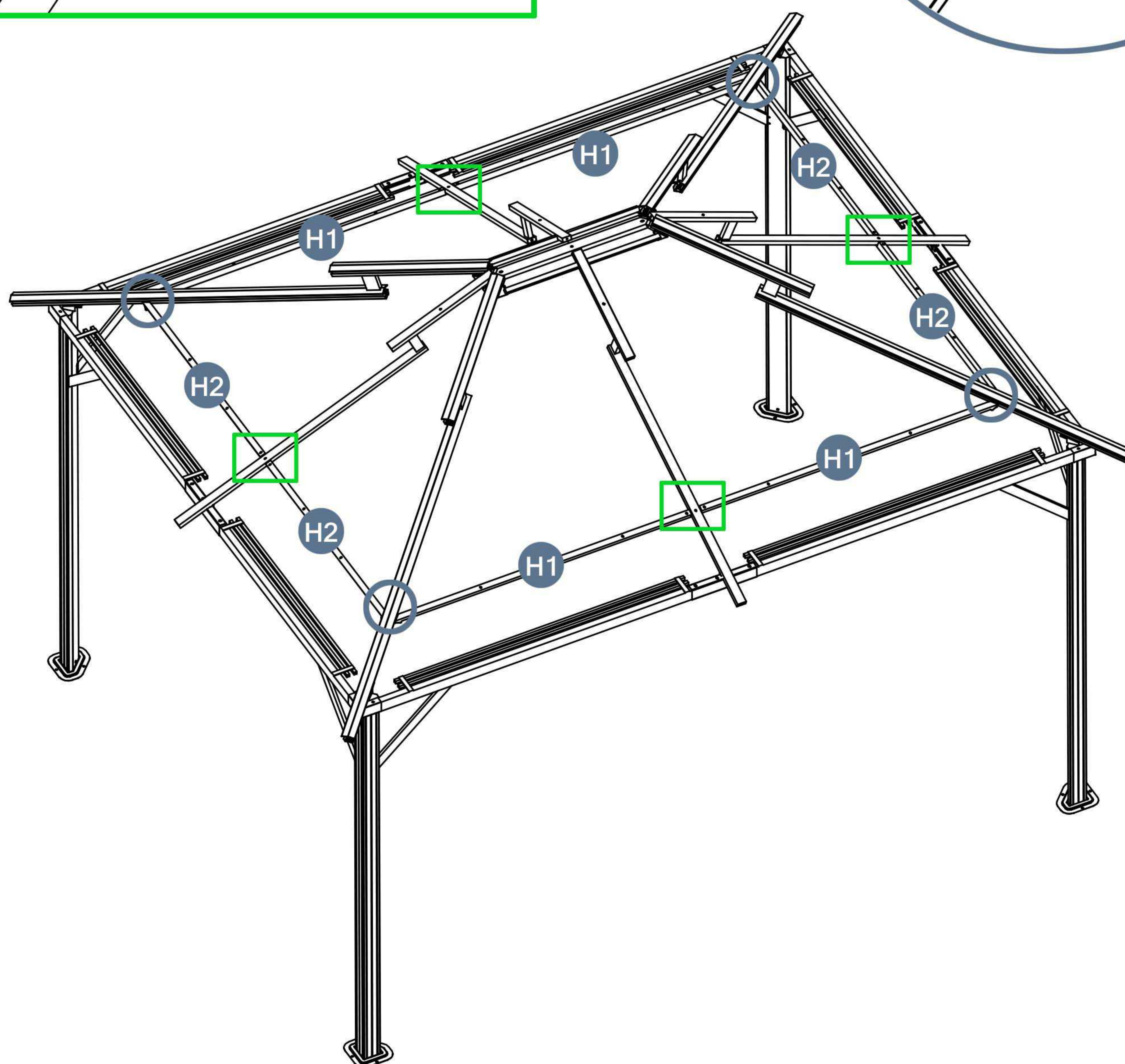
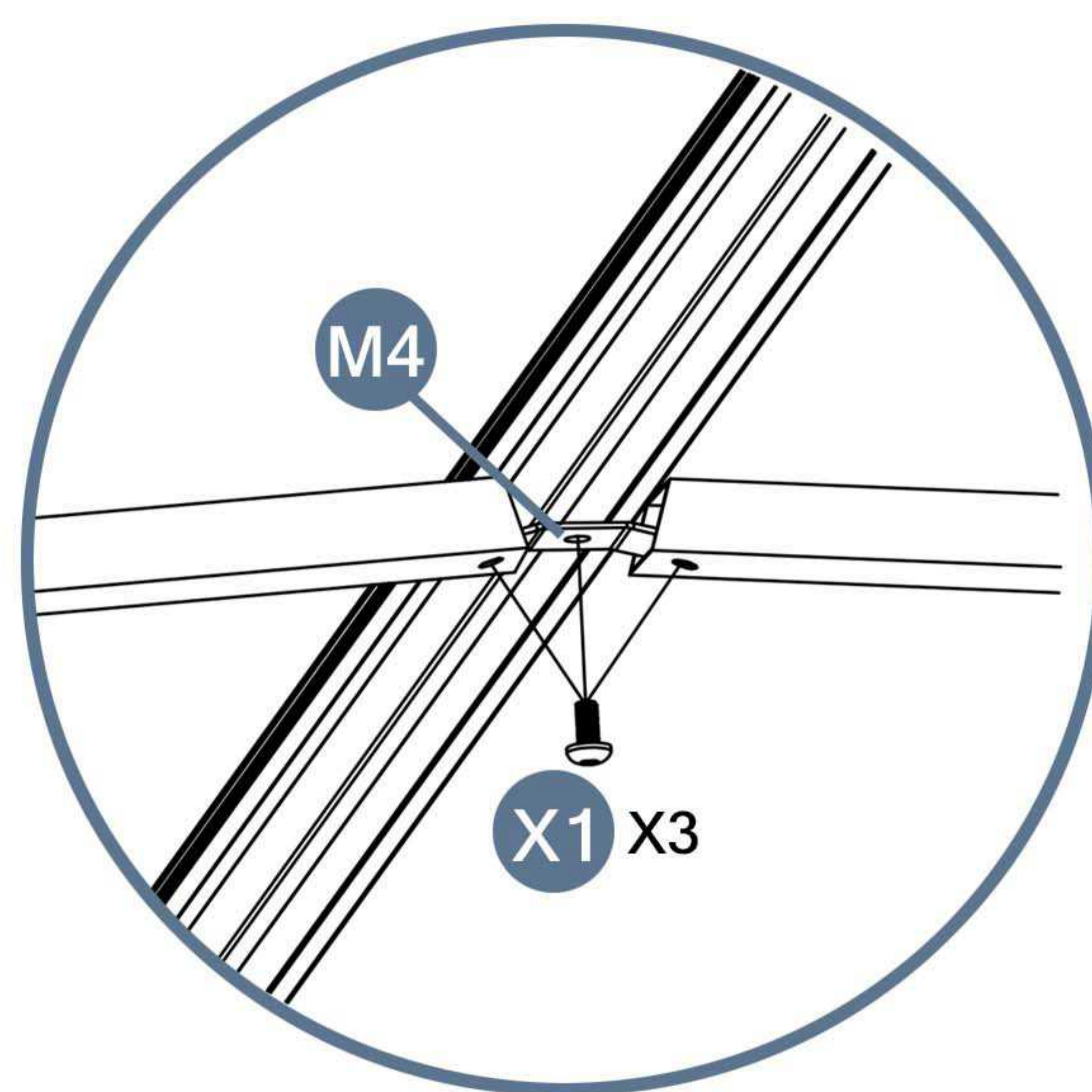
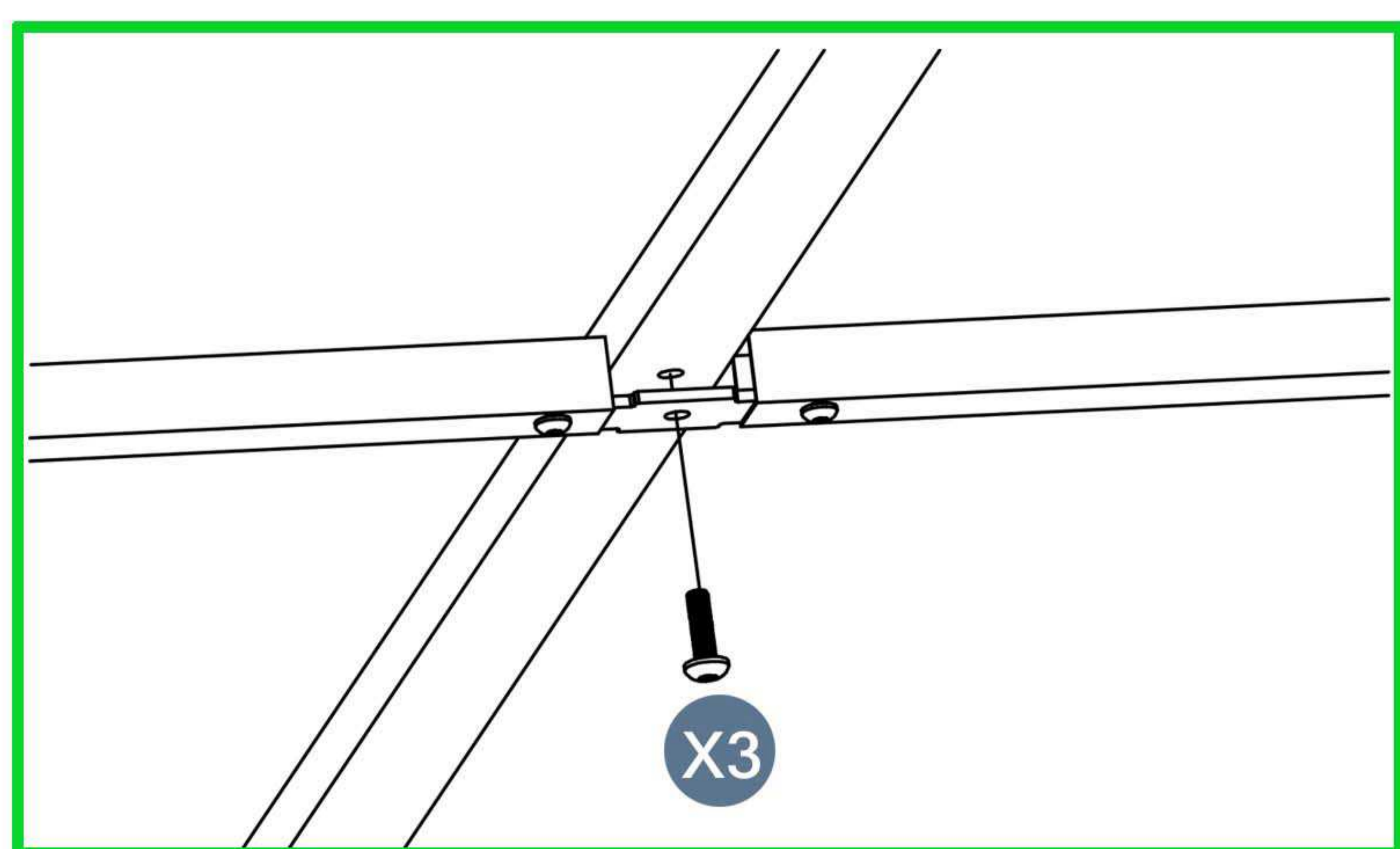
Parts required



Only X3 screws are used in this step. Please store the X3 nuts. Steps 14 and 15 will be used.  
To better align the screws for practical situations, do not fully tighten screws initially.



M4 needs to be inserted into both tubes, aligned with the holes.



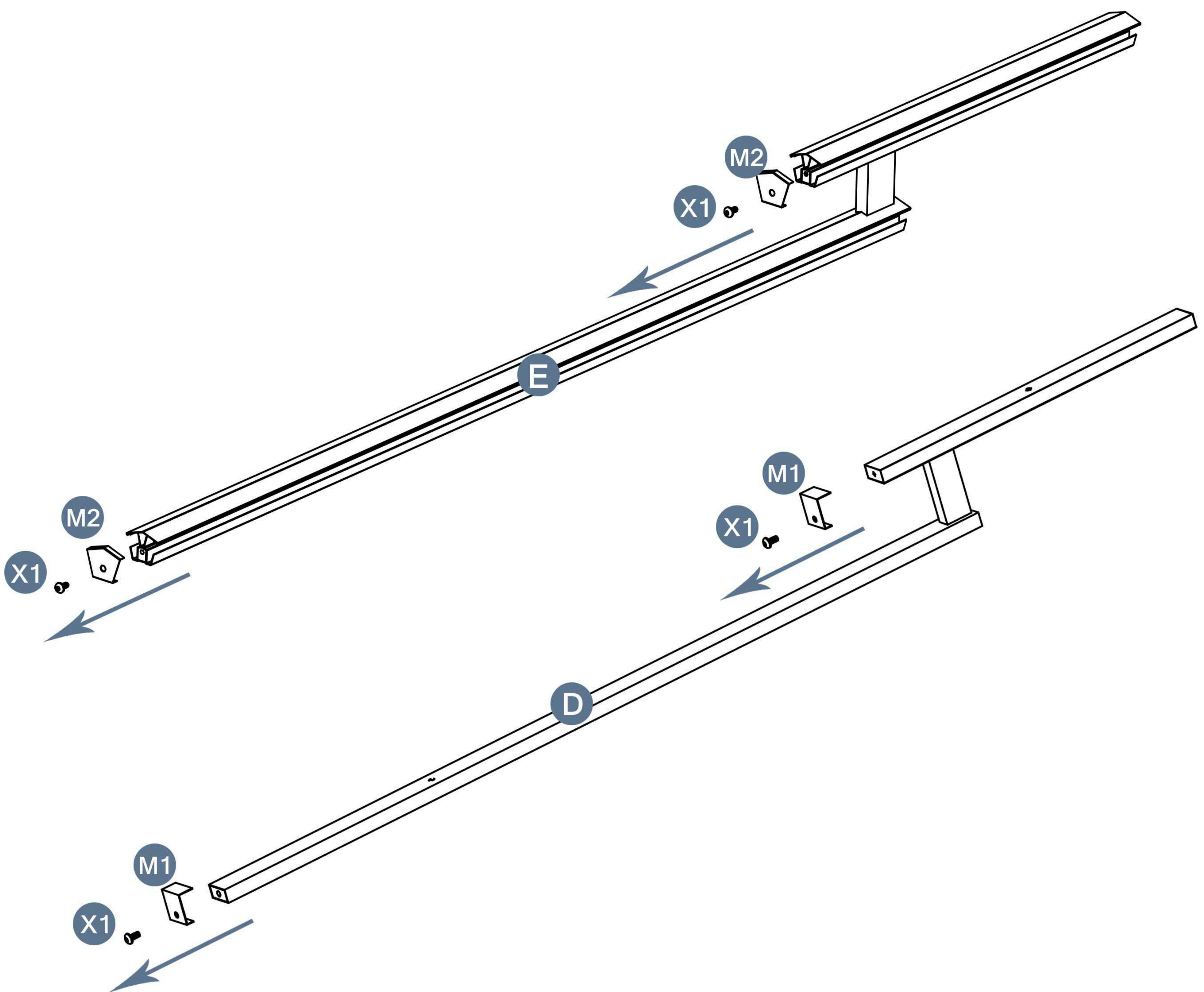
Please take care of the screws and contact the after-sales service if there is any problem with the installation or parts.



E-mail: [cs.helper01@gmail.com](mailto:cs.helper01@gmail.com)

To prevent the loss of M2 and M1  
we mounted the M2 and M1 on top of the E and D ahead of time

Before installing step 11 /step 14, please remove the 8 M2's  
and 6 M1's from the part E and D. (Reinstall them during step 13/step16) .

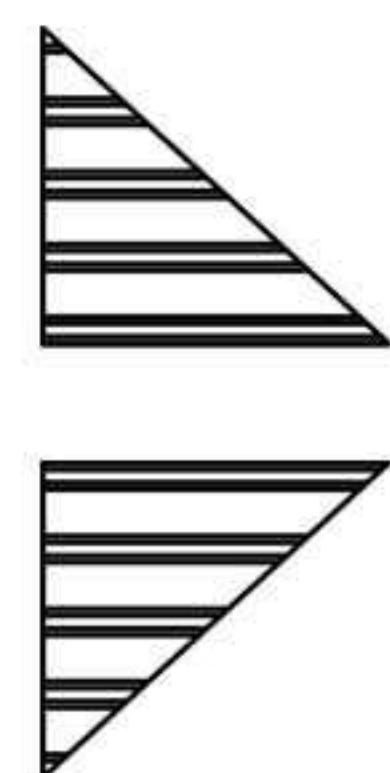


Please take care of the screws and contact the after-sales service if there is any problem with the installation or parts.

➔ ✉ E-mail: [cs.helper01@gmail.com](mailto:cs.helper01@gmail.com)

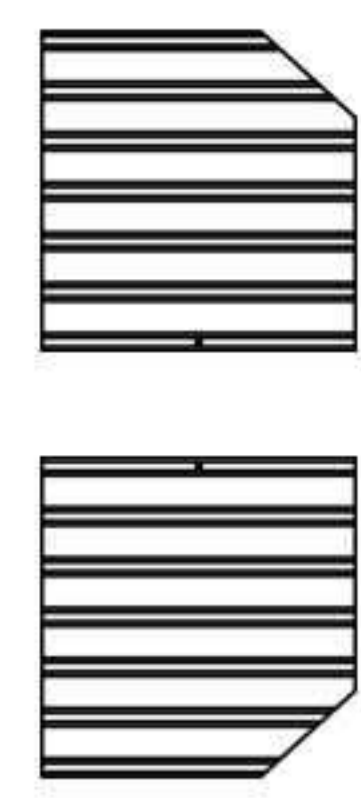
# STEP 11

Parts required



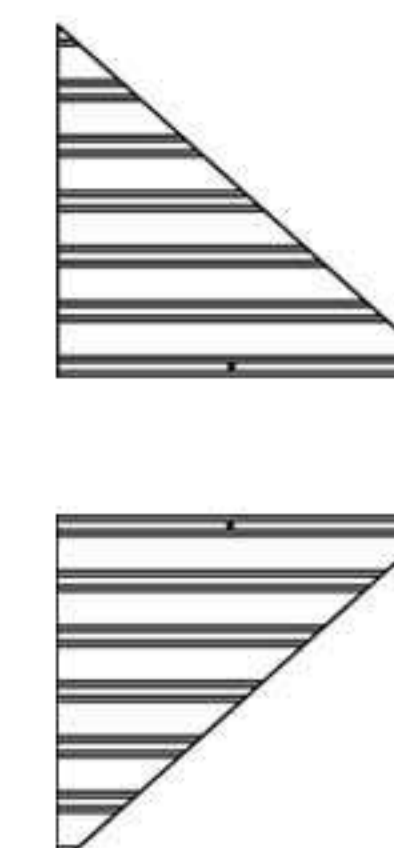
N5 2pcs

Y5 2pcs



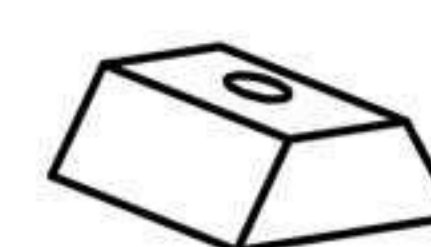
N6 2pcs

Y6 2pcs



O4 2pcs

V4 2pcs



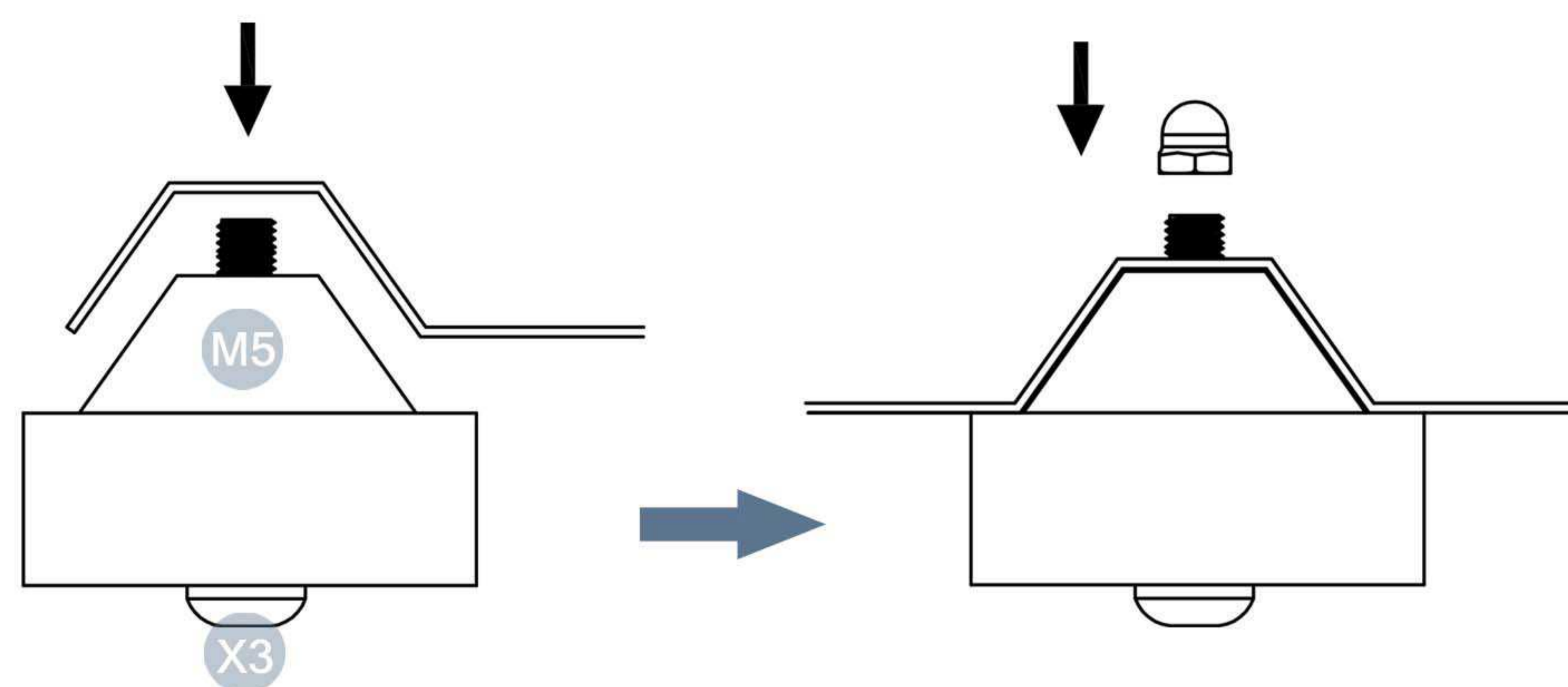
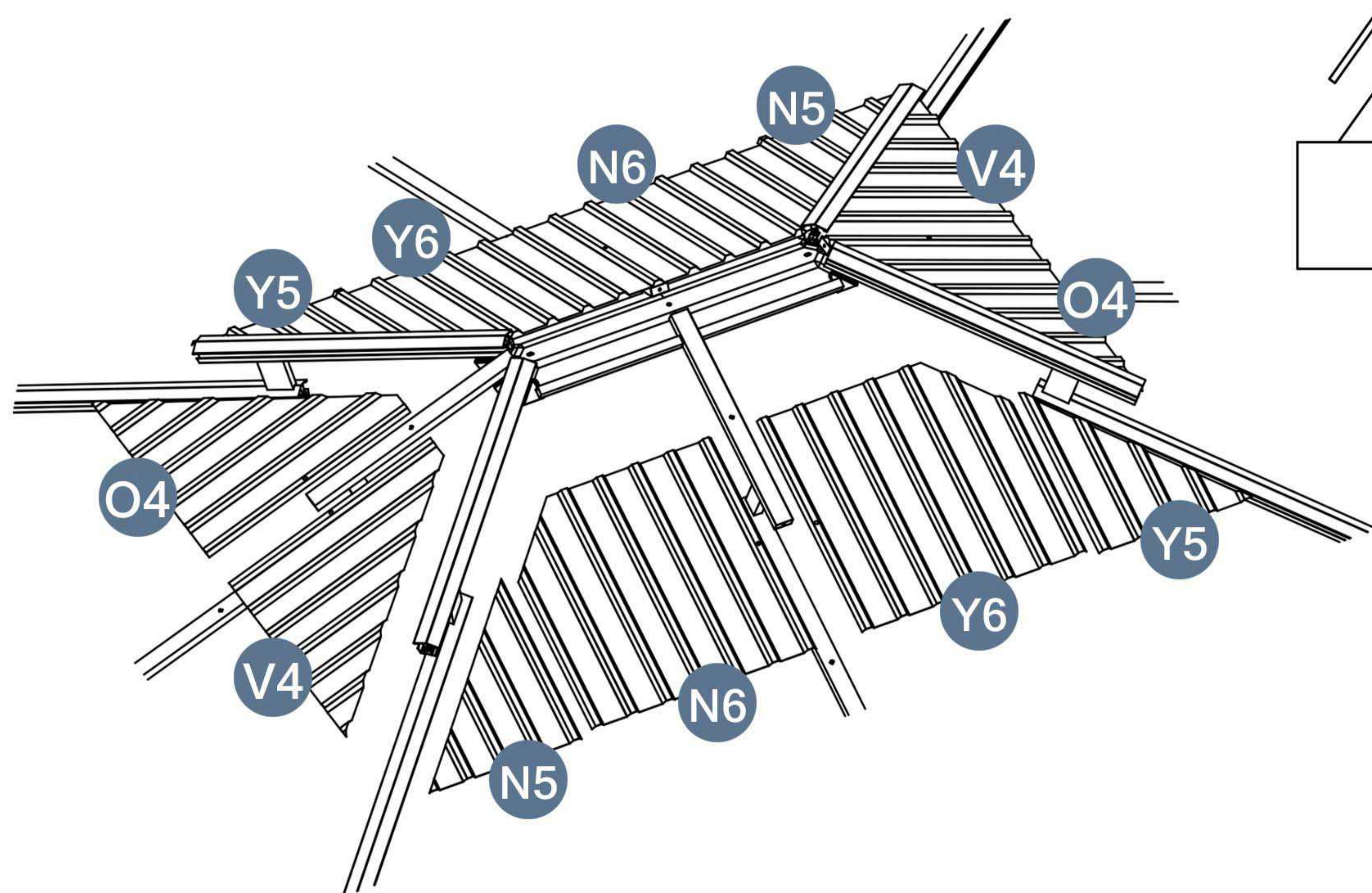
M5 4pcs



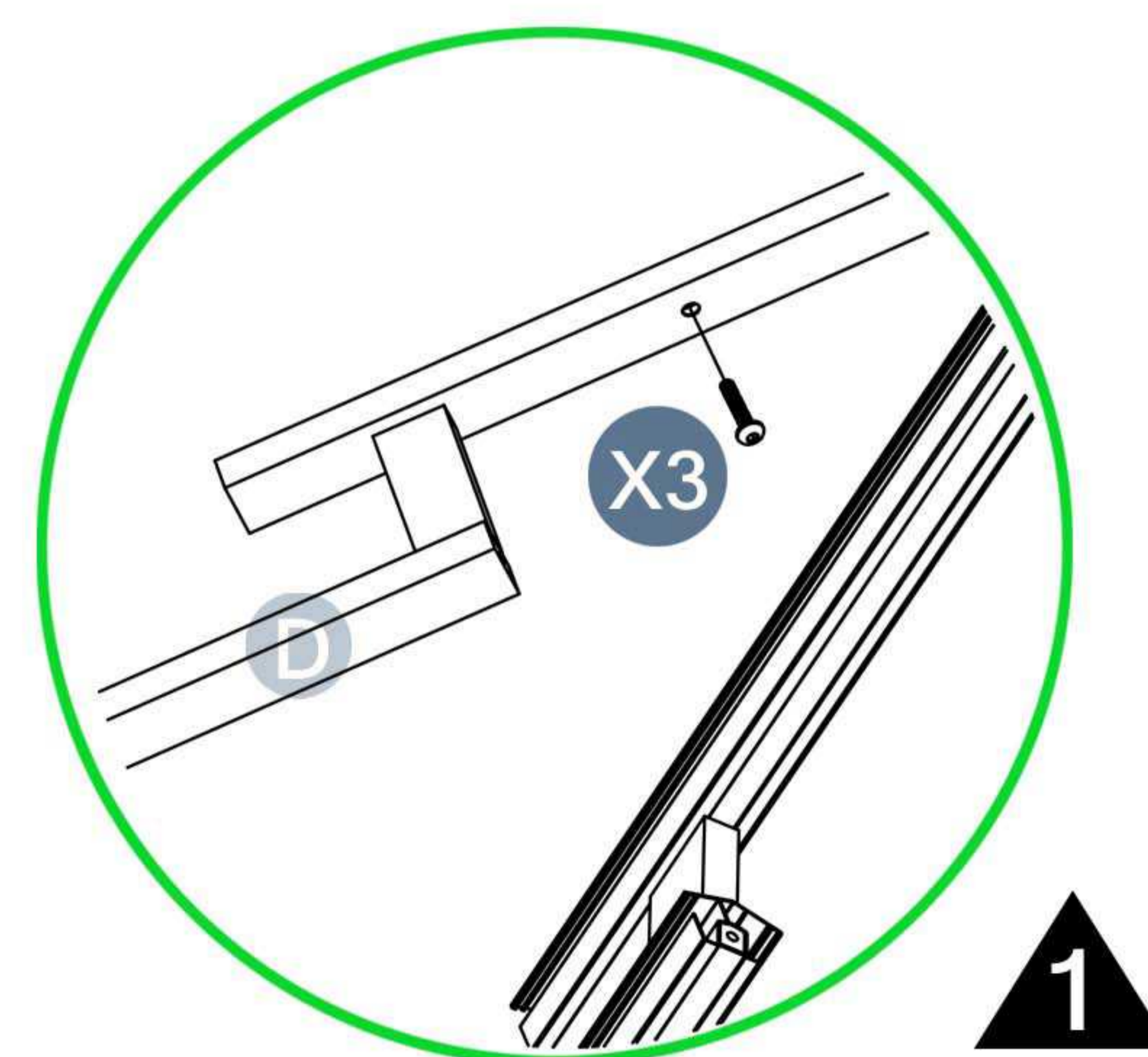
X3 4pcs



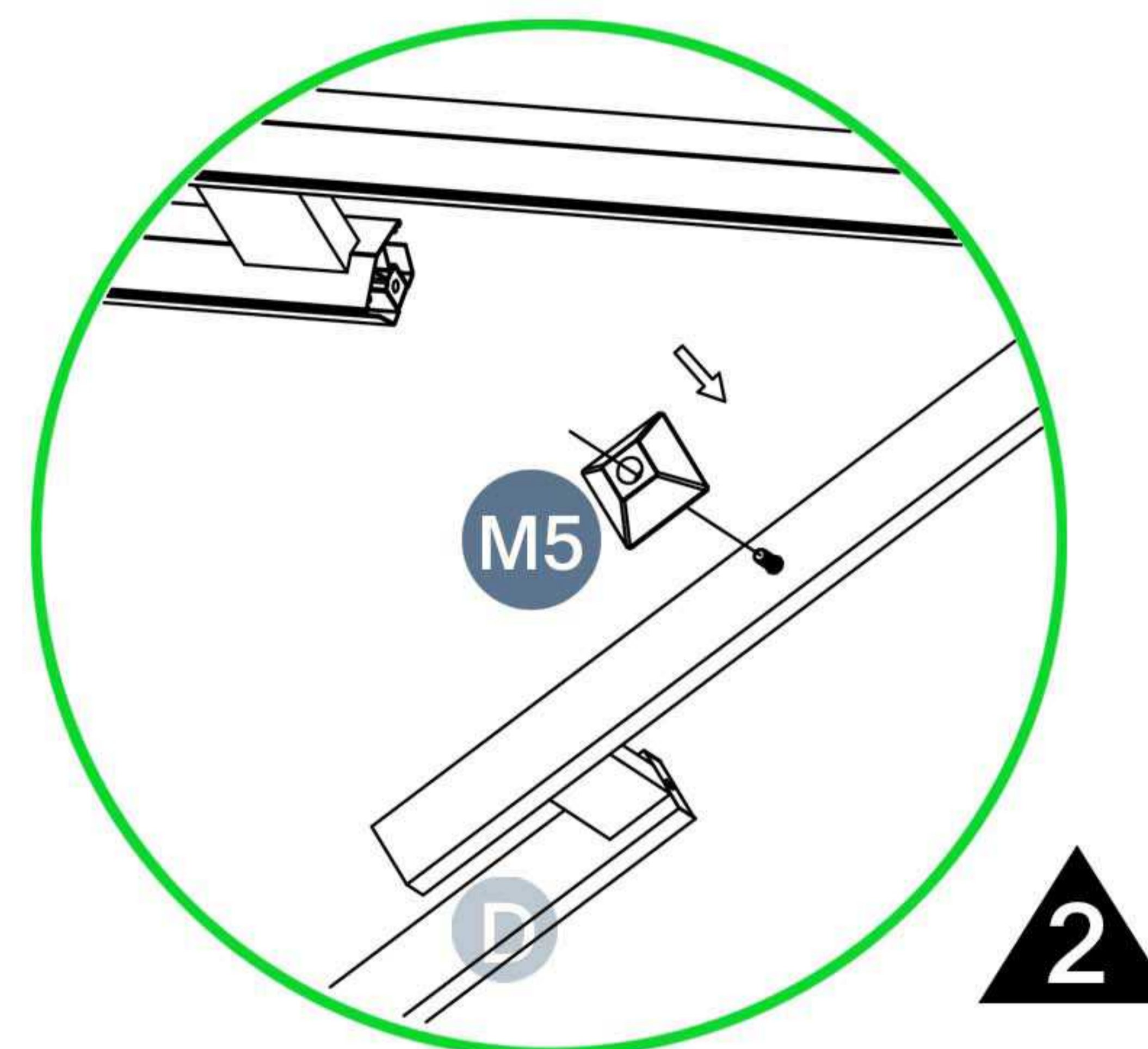
In order to facilitate the installation, it is recommended to leave one side and not install it for the time being. Wait for the installation in step 12 to complete before installing.



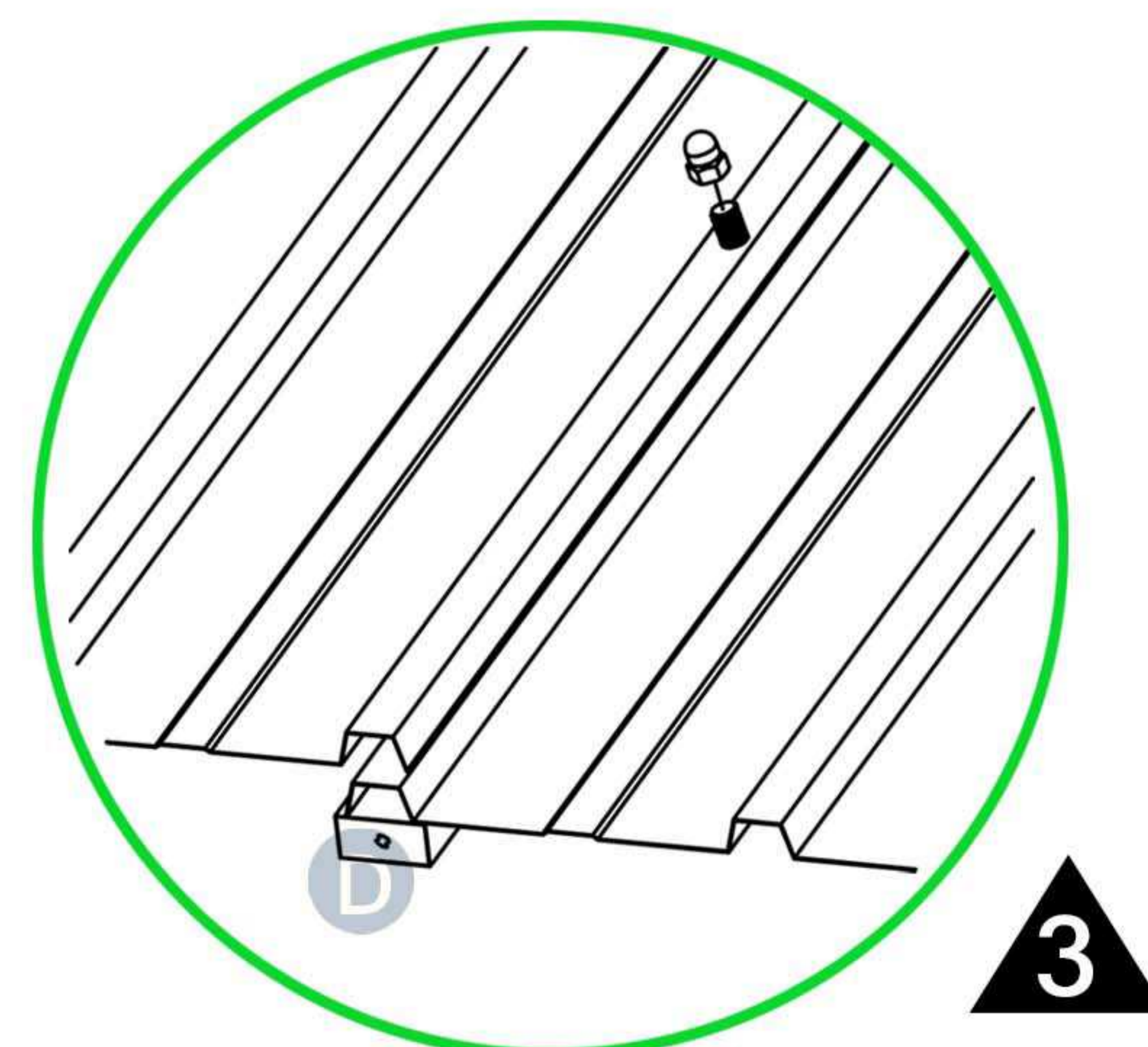
• Side view



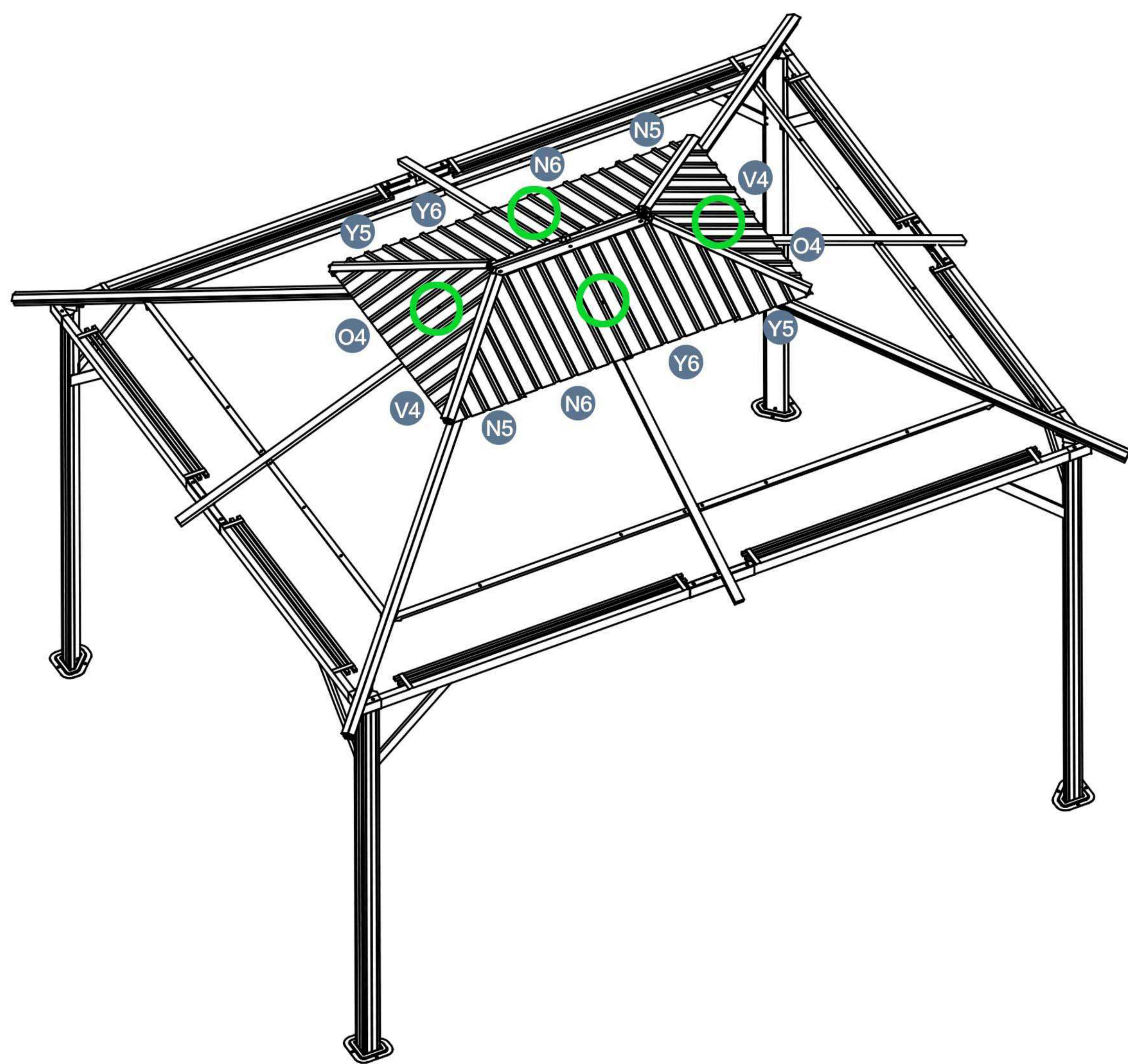
1



2



3



Please take care of the screws and contact the after-sales service if there is any problem with the installation or parts.



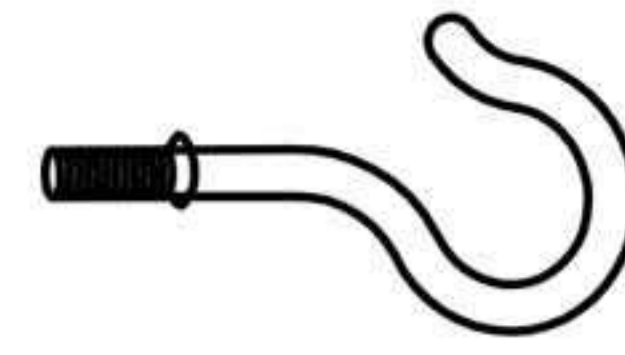
E-mail: [cs.helper01@gmail.com](mailto:cs.helper01@gmail.com)

# STEP 12

Parts required



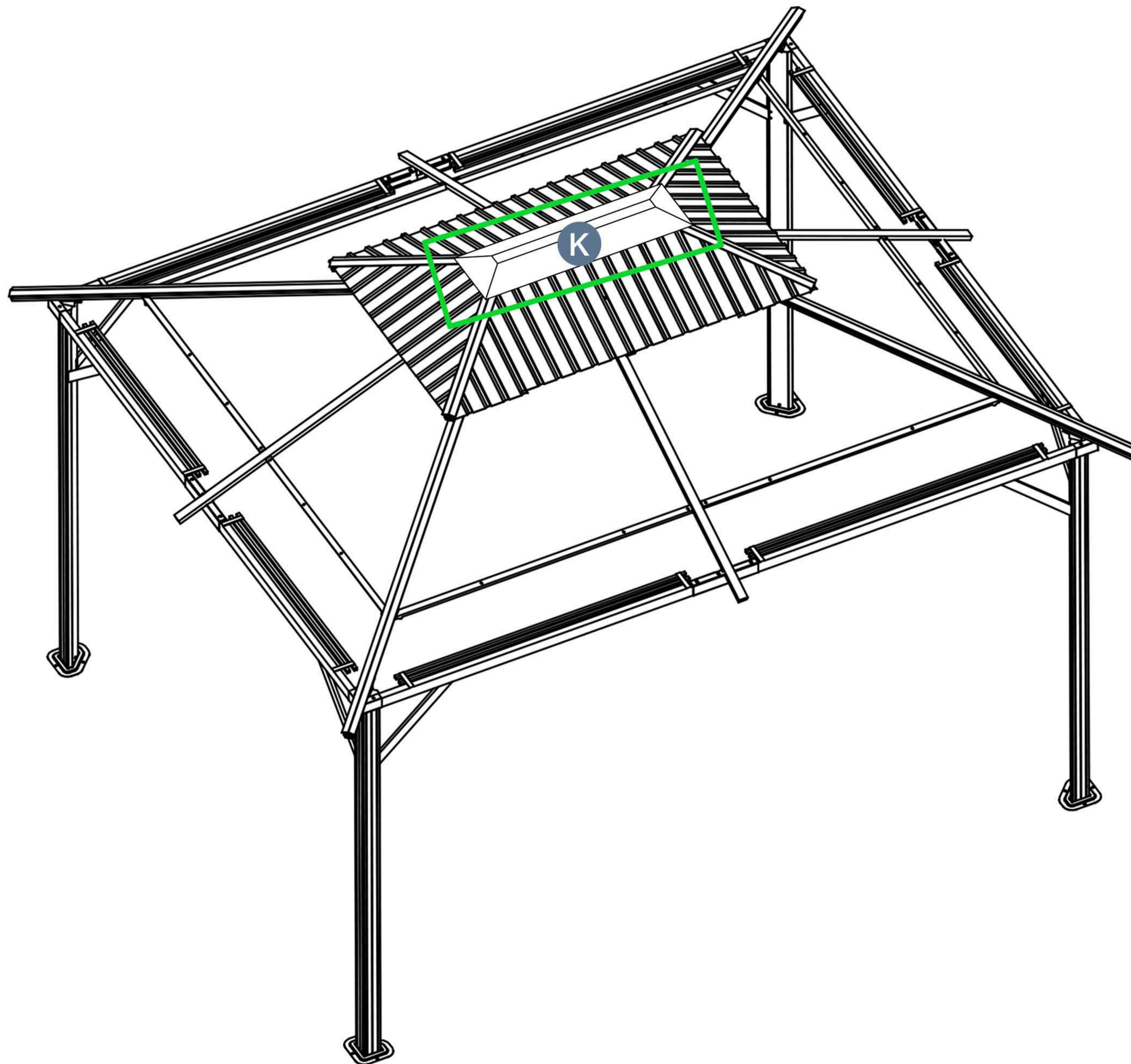
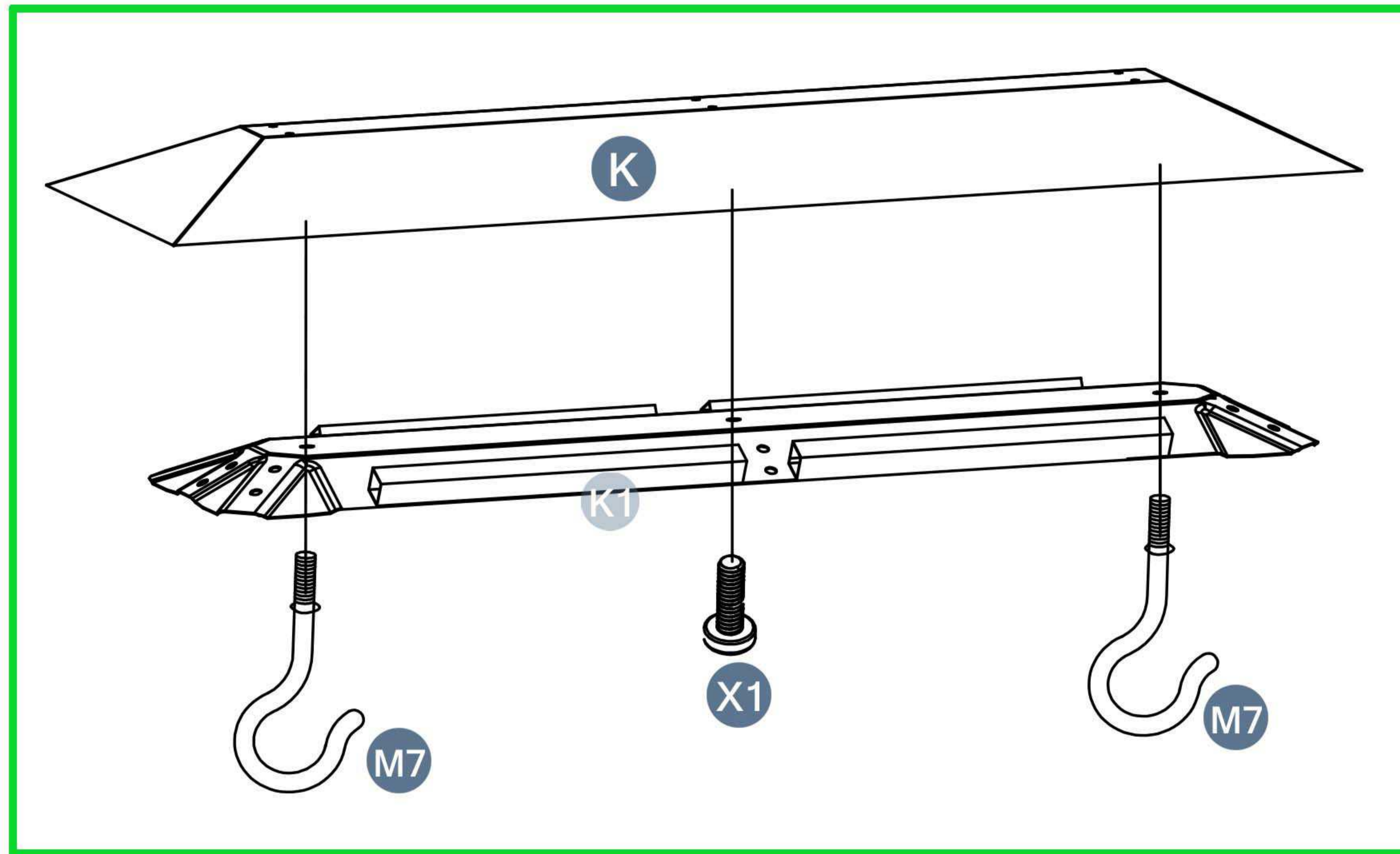
K 1pcs



M7 2pcs



X1 1pcs

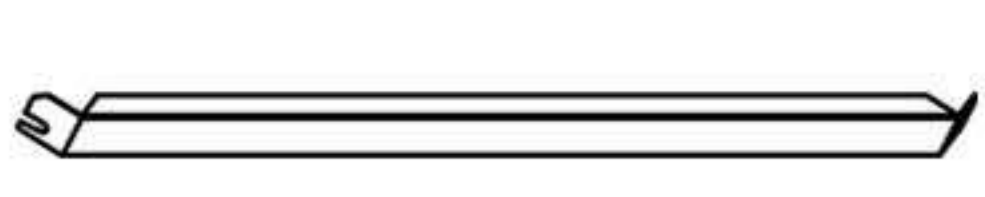


Please take care of the screws and contact the after-sales service if there is any problem with the installation or parts.

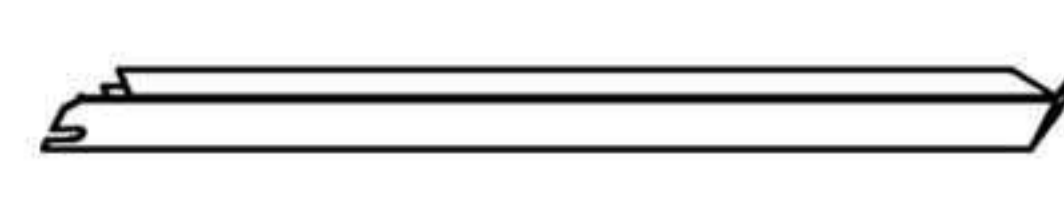
➔ ✉ E-mail: [cs.helper01@gmail.com](mailto:cs.helper01@gmail.com)

# STEP 13

Parts required



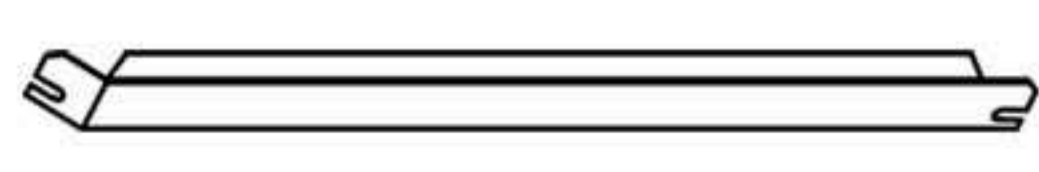
G5 2pcs



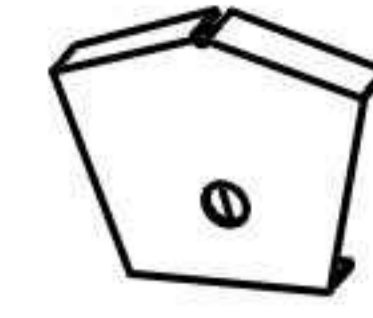
G7 2pcs



M1 2pcs



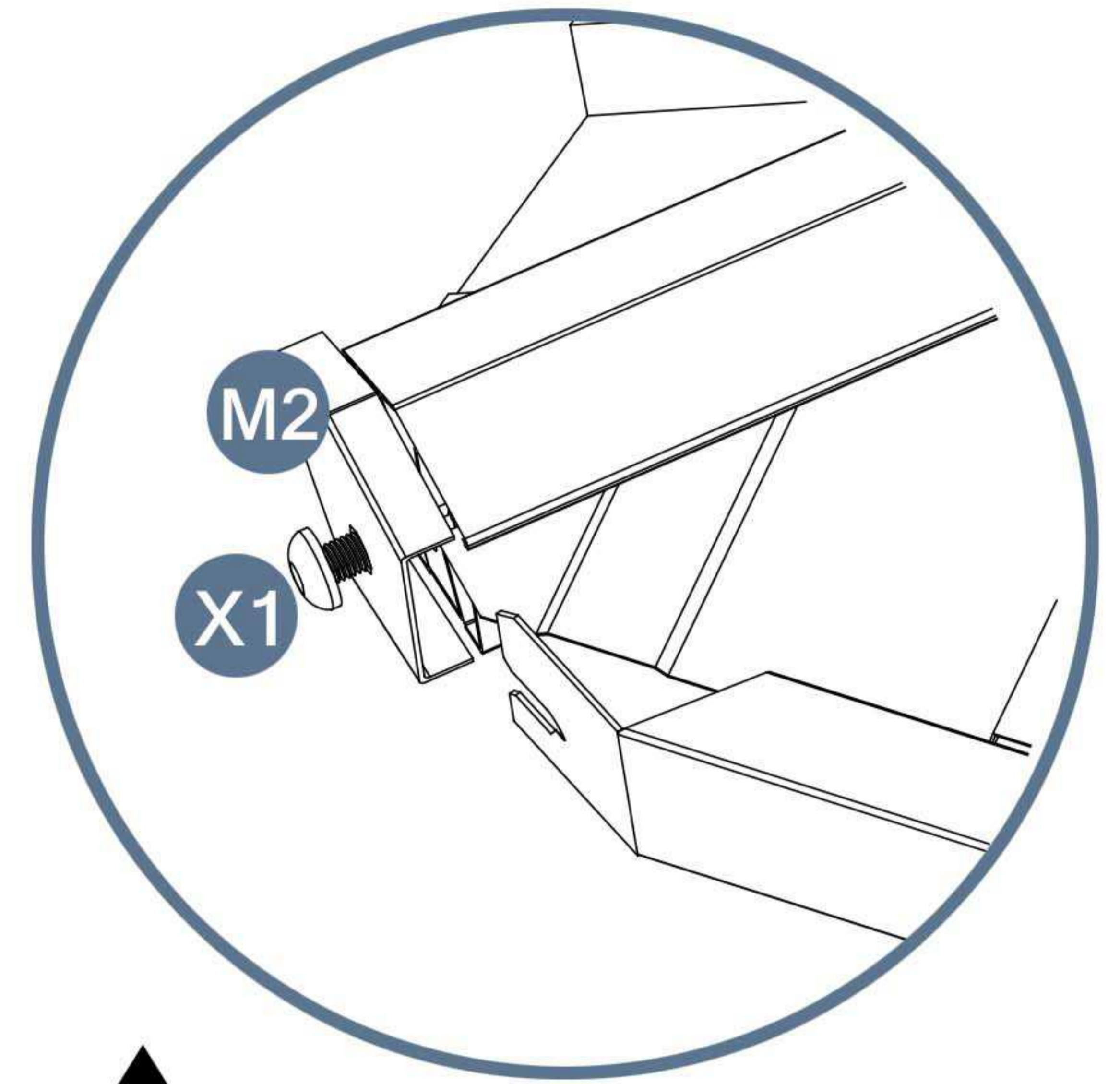
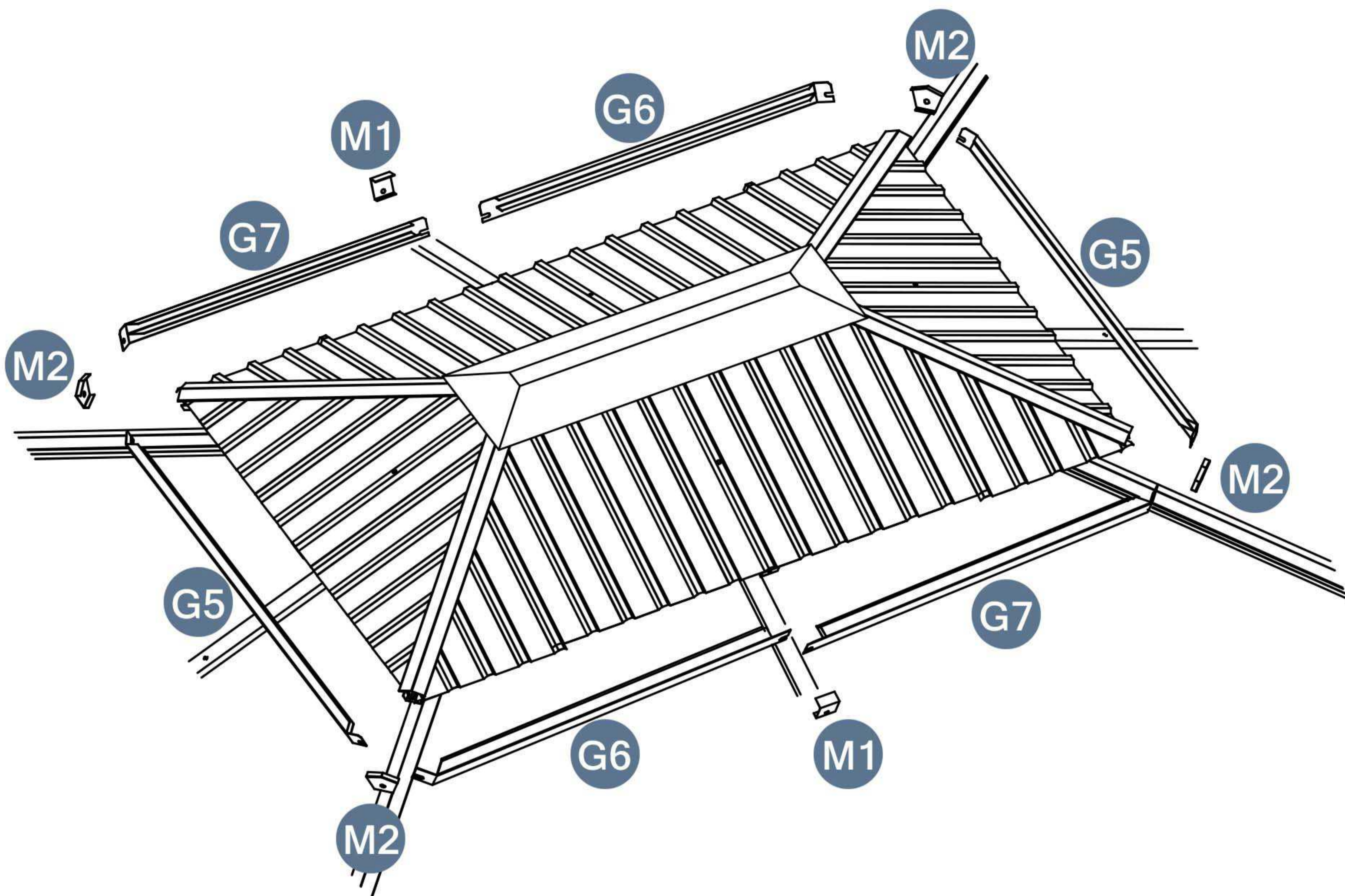
G6 2pcs



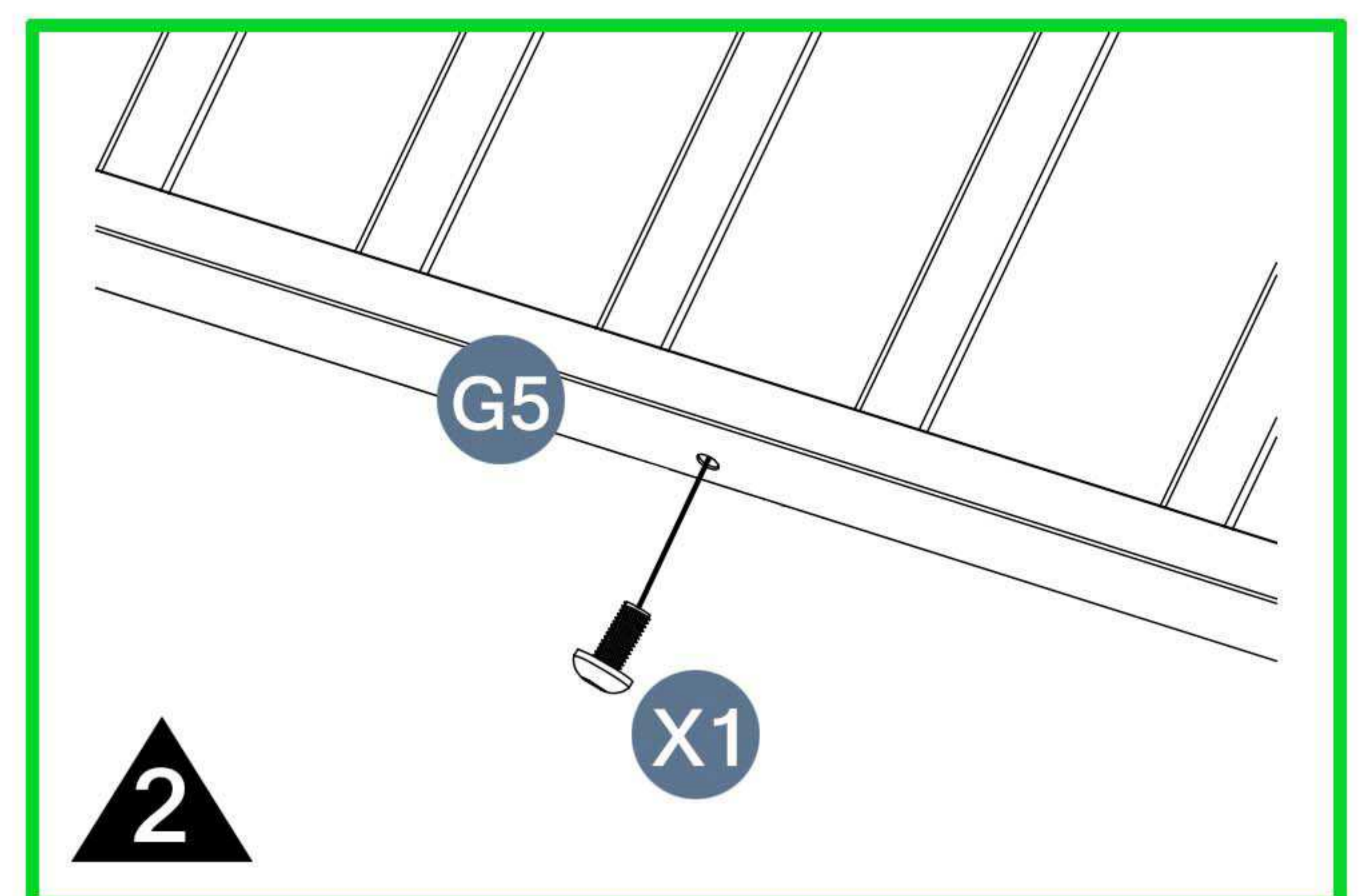
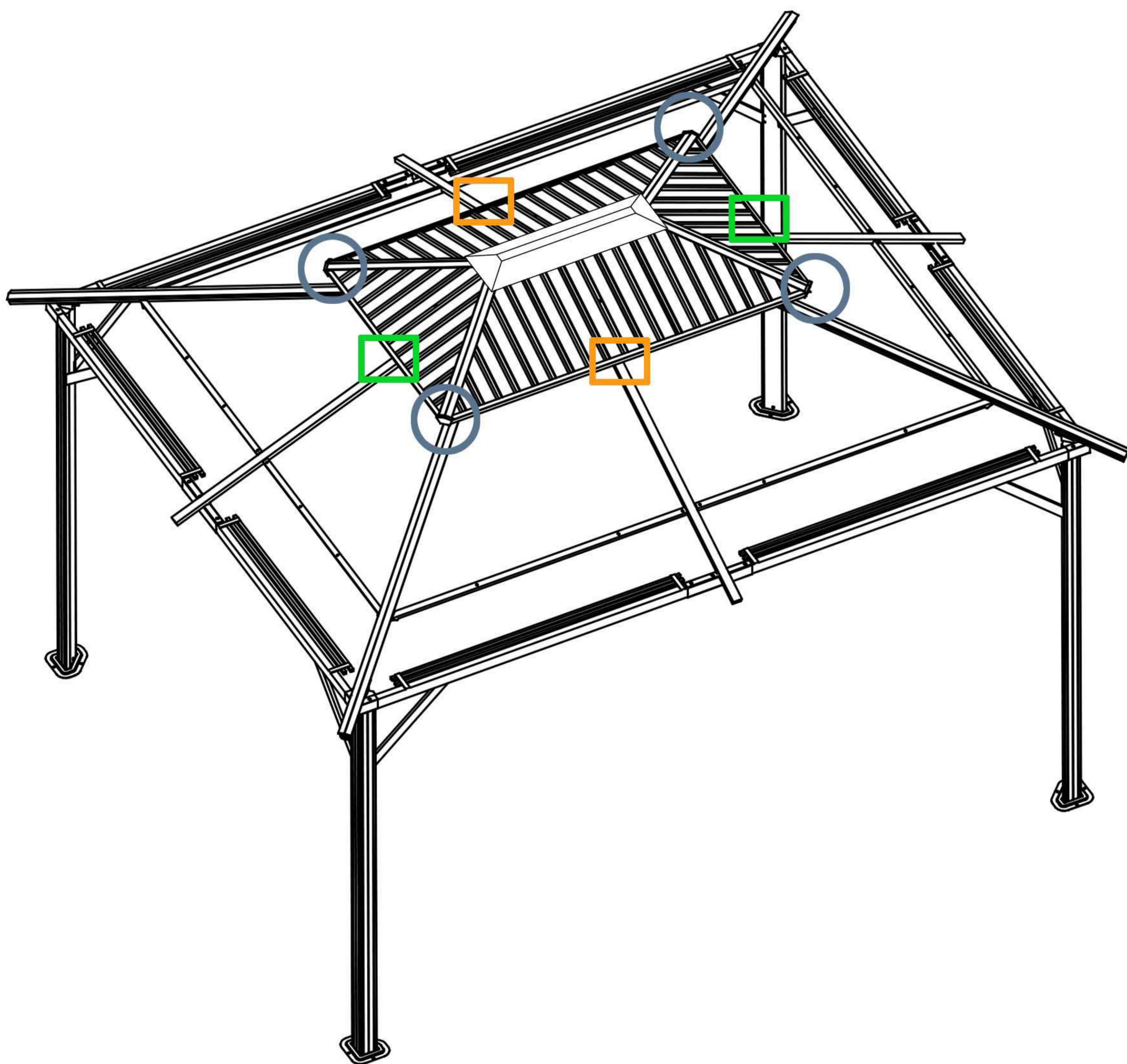
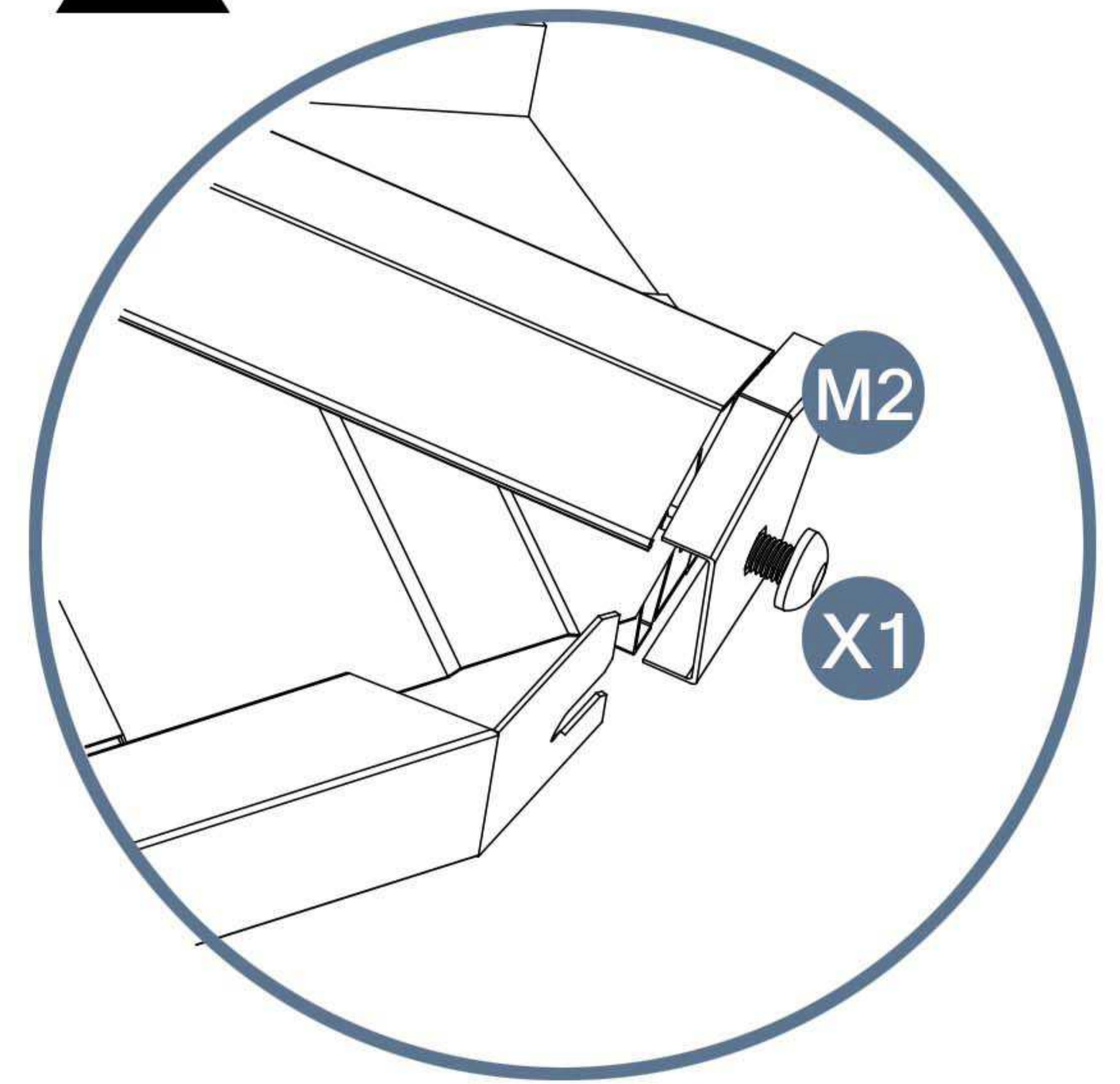
M2 4pcs



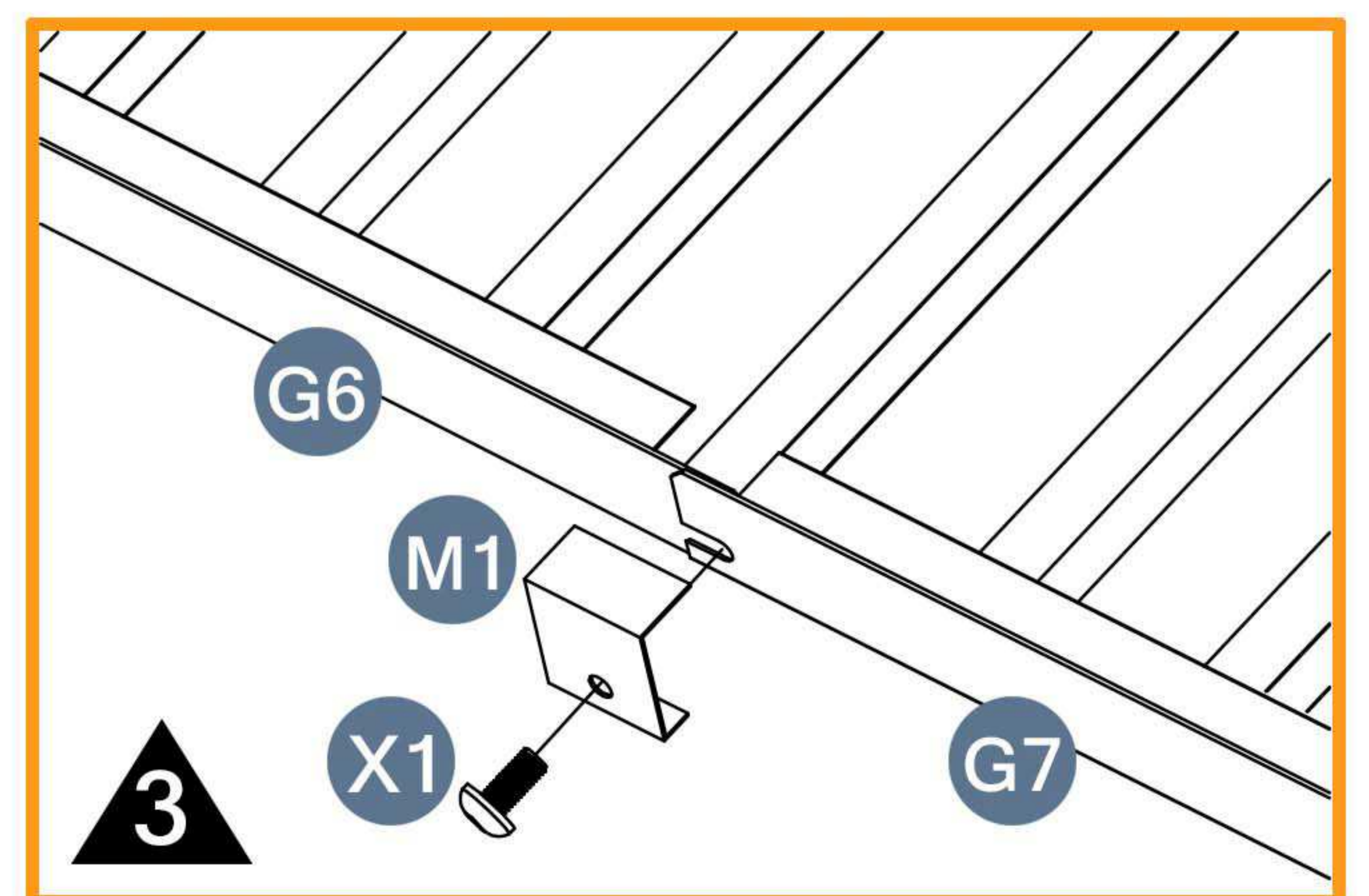
X1 8pcs



1



2



3

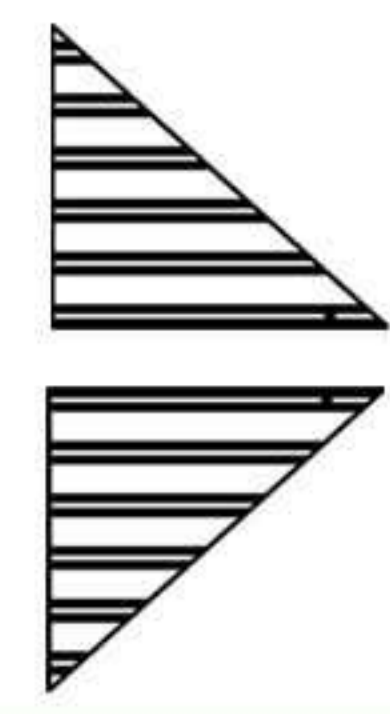
Please take care of the screws and contact the after-sales service if there is any problem with the installation or parts.



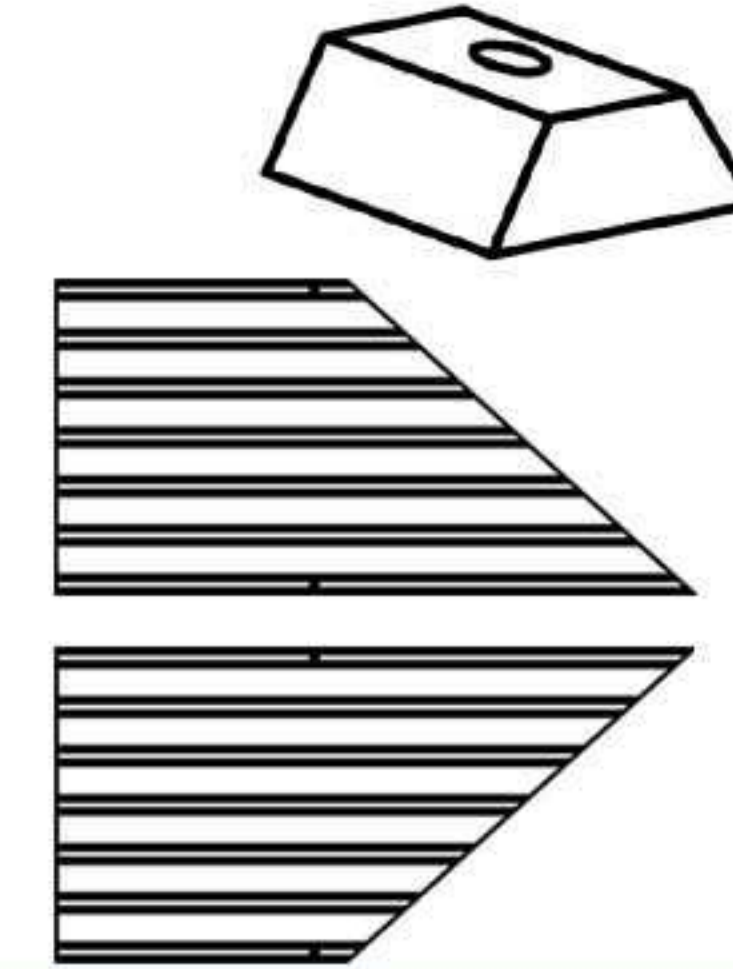
E-mail: [cs.helper01@gmail.com](mailto:cs.helper01@gmail.com)

# STEP 14

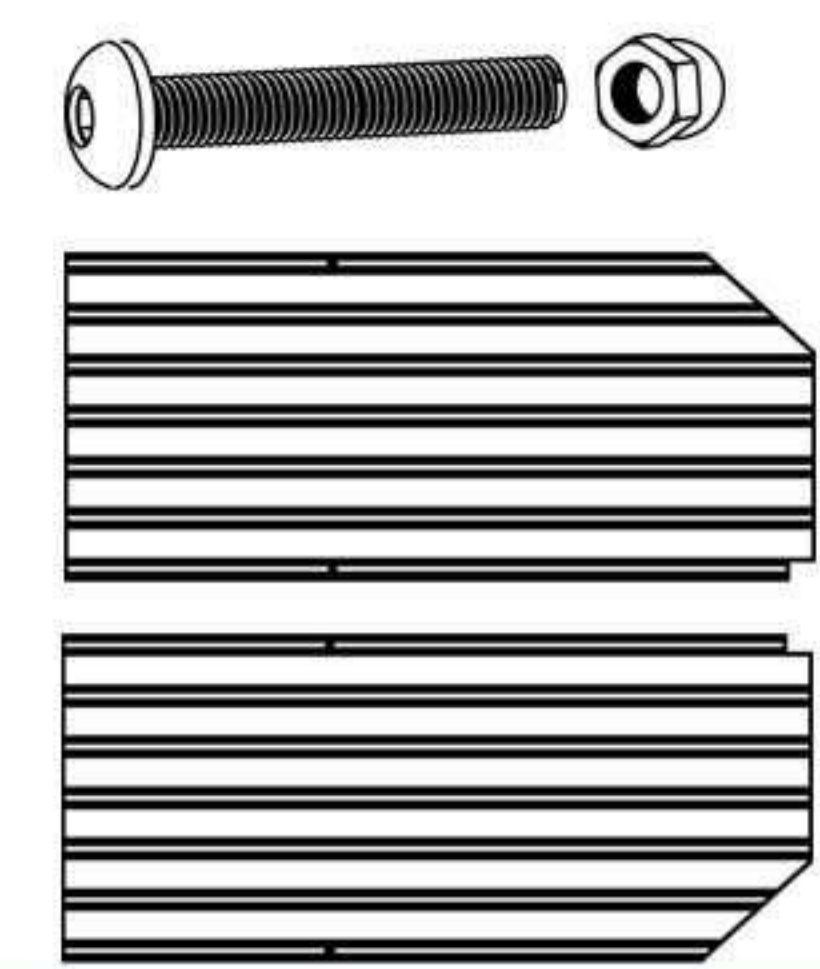
Parts required



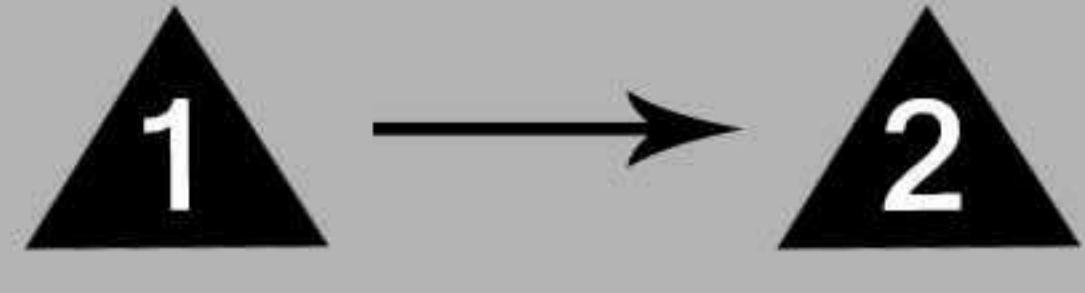
O1 2pcs  
V1 2pcs



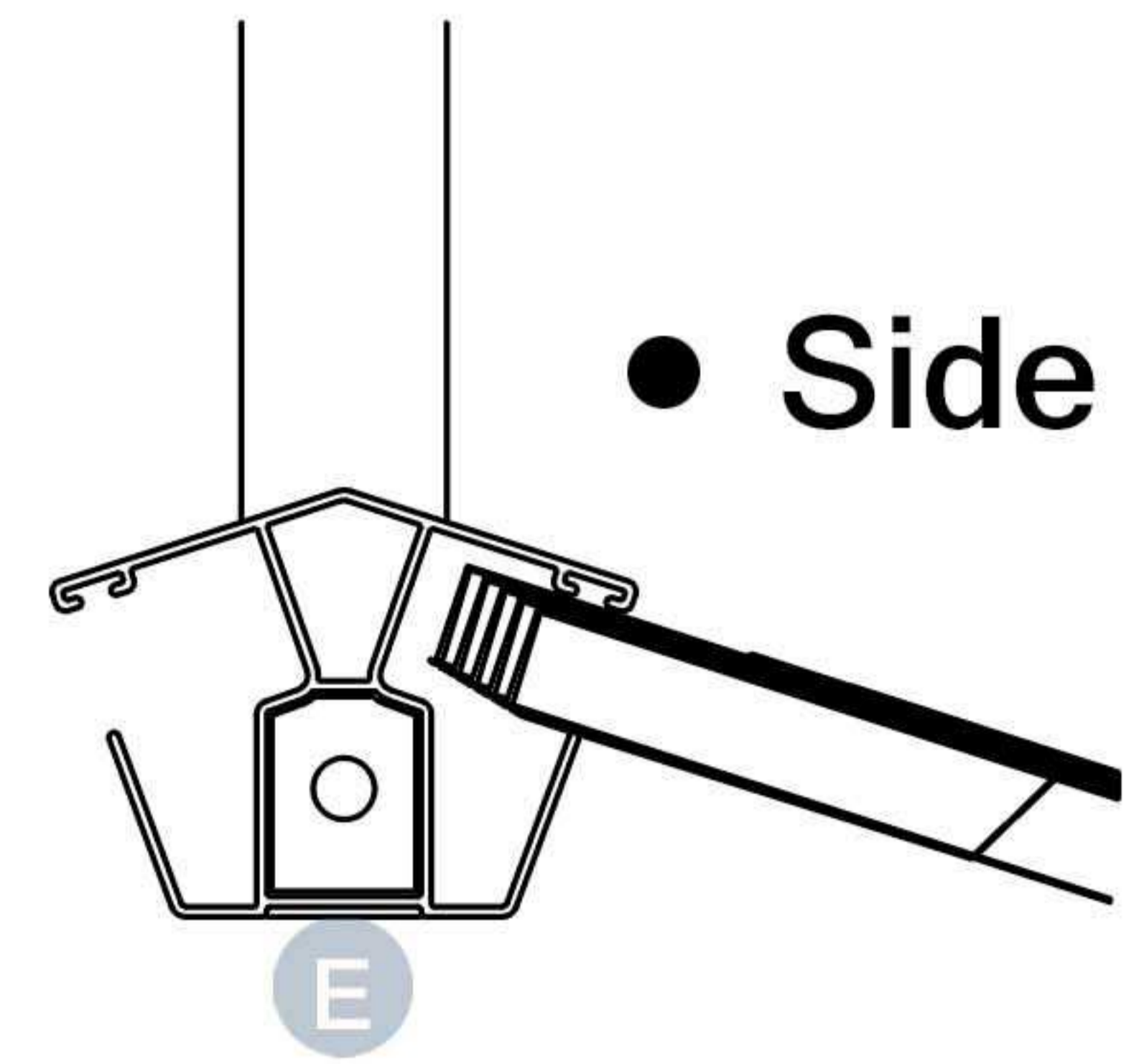
M5 10pcs  
O2 2pcs  
V2 2pcs



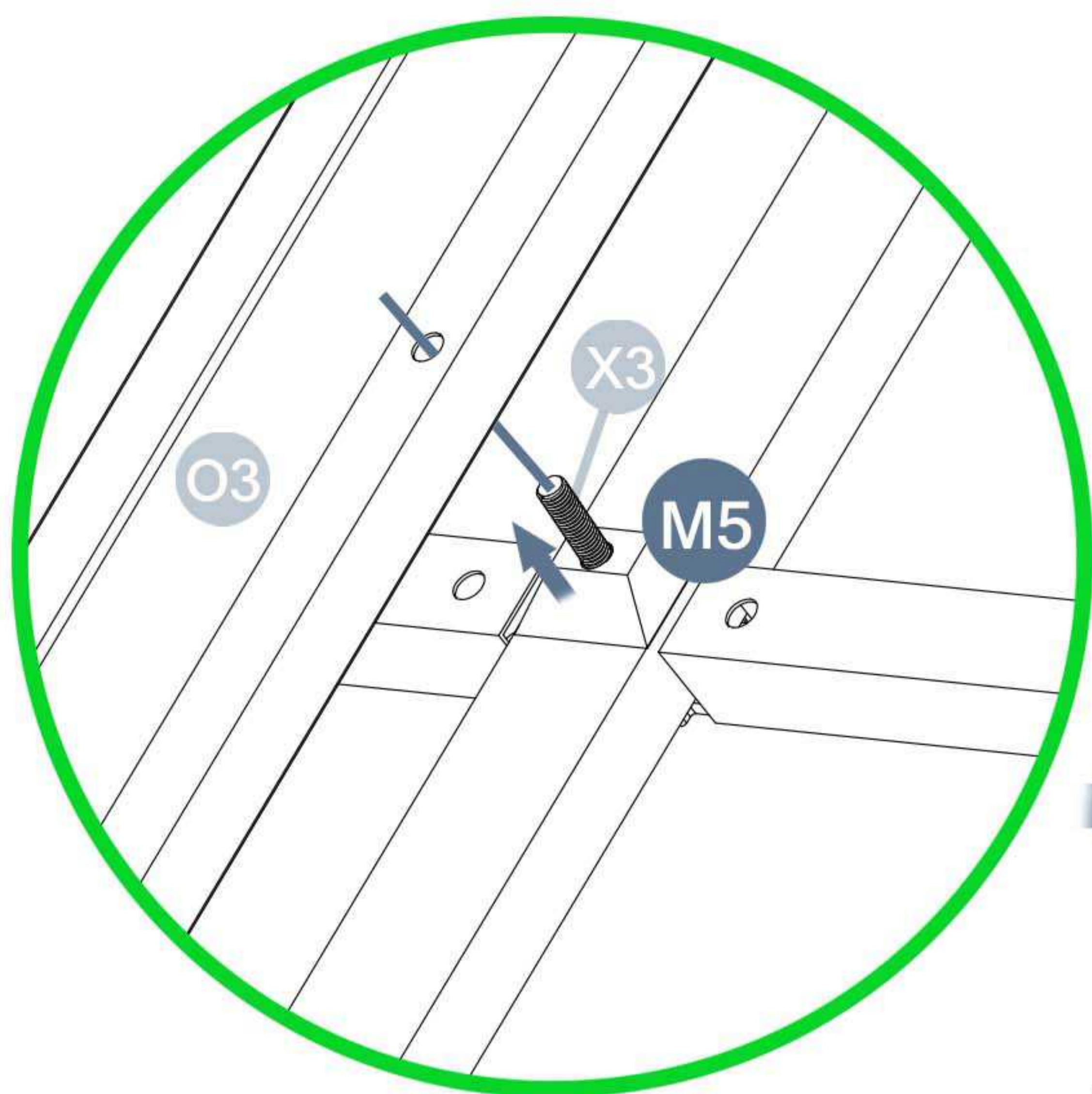
X3 8pcs  
O3 2pcs  
V3 2pcs



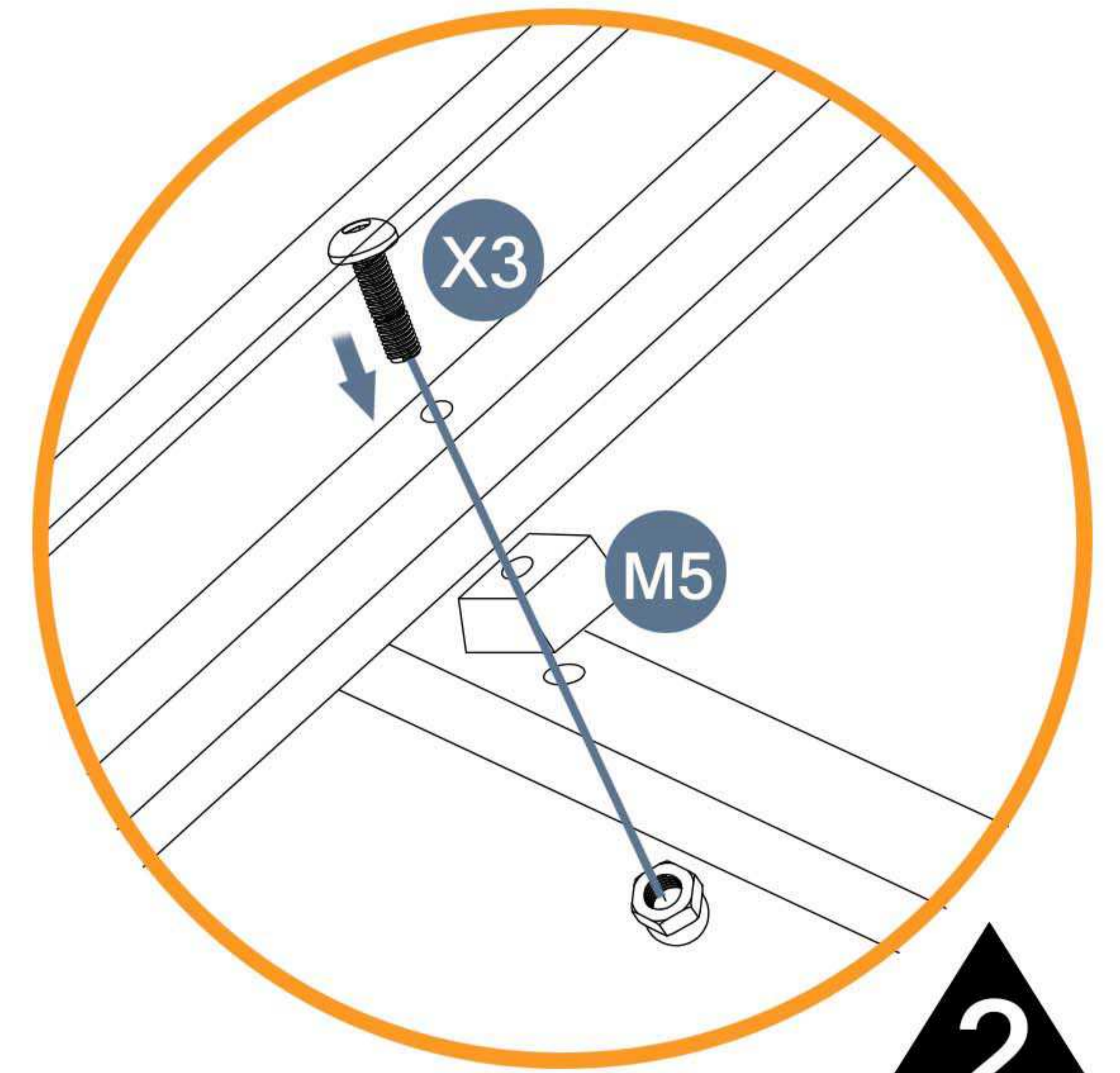
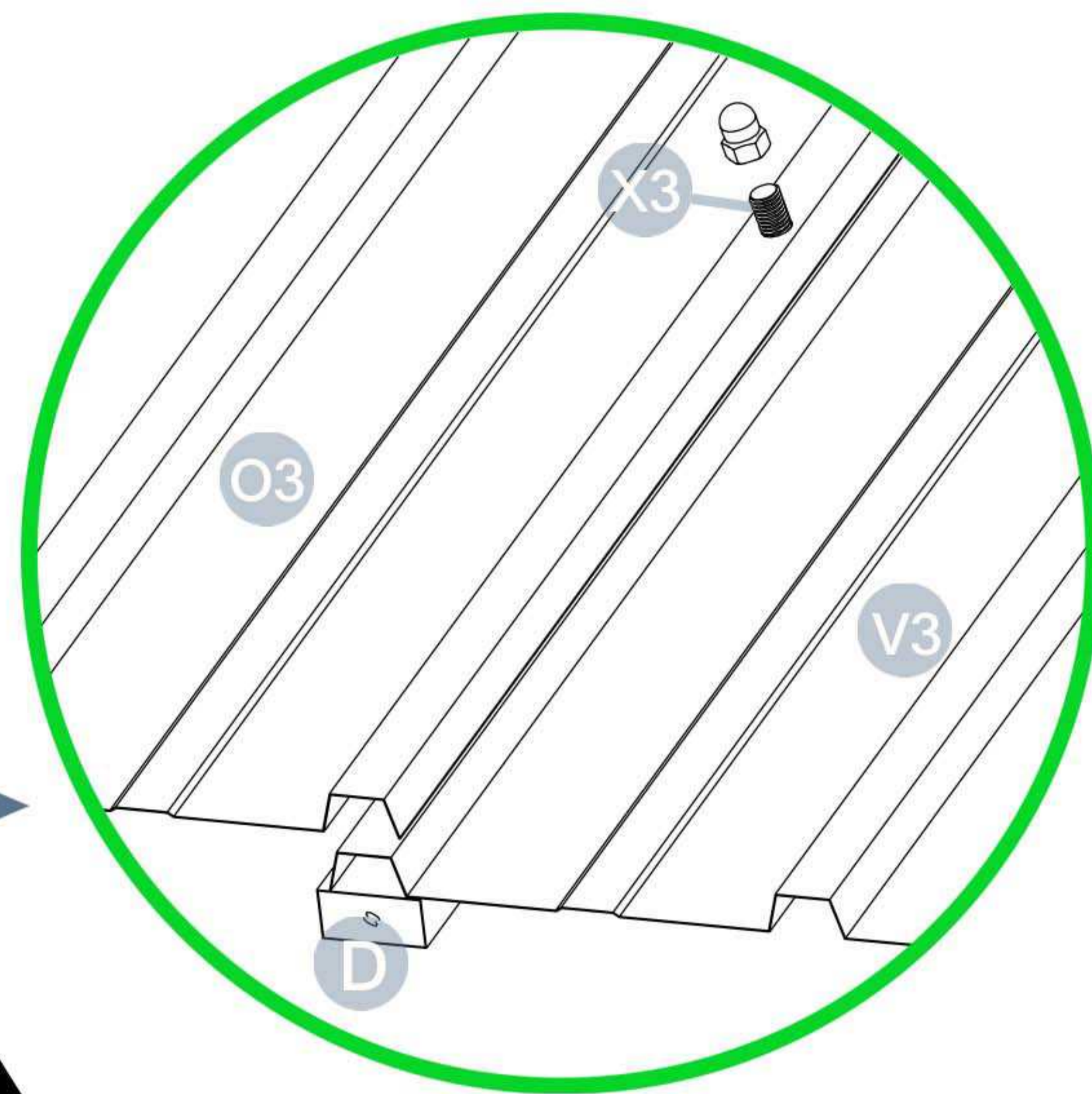
Pay attention to the direction of screw installation



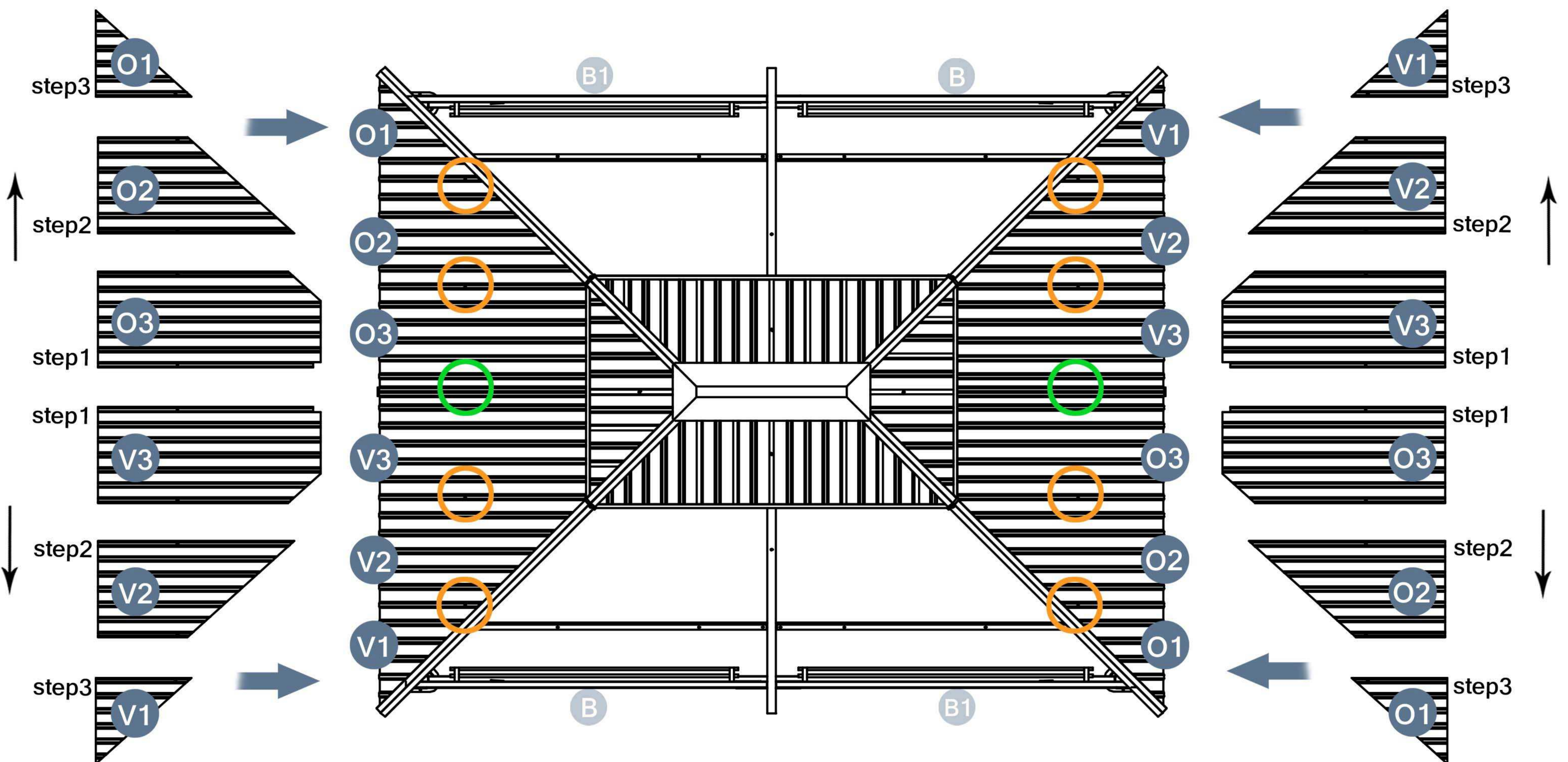
• Side view



1



2

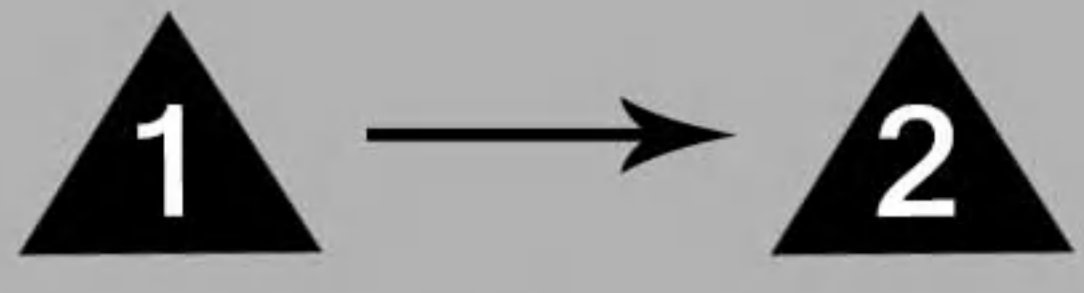
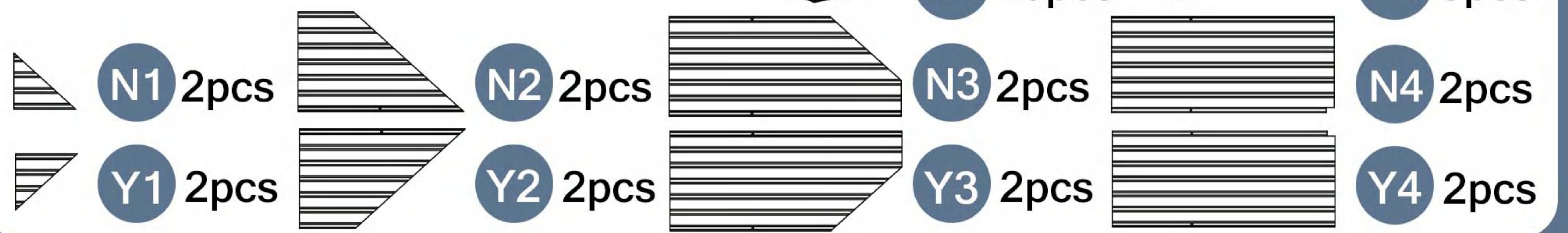


Please take care of the screws and contact the after-sales service if there is any problem with the installation or parts.

➔ E-mail: [cs.helper01@gmail.com](mailto:cs.helper01@gmail.com)

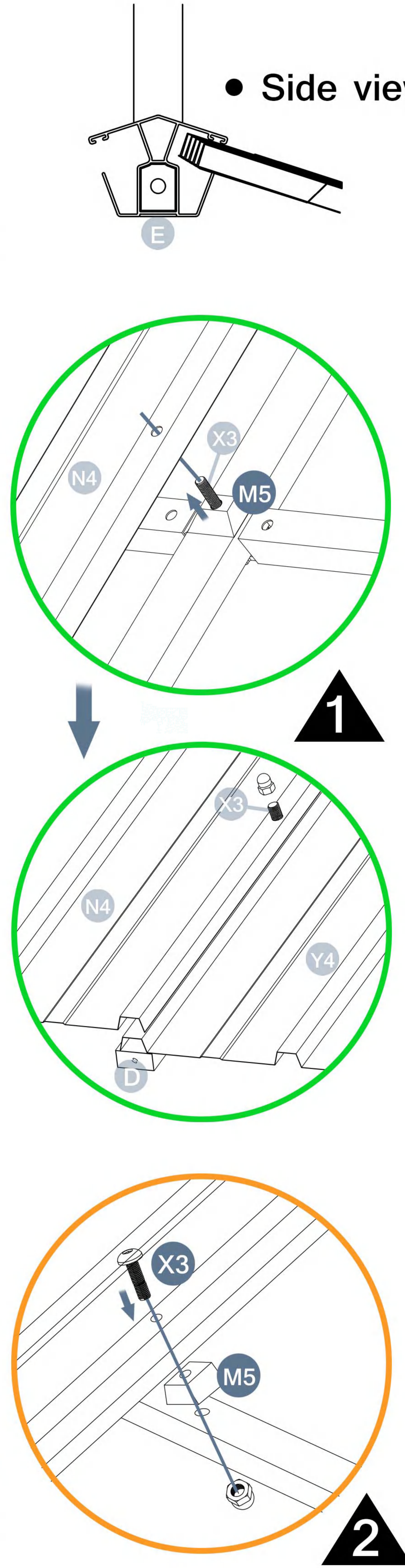
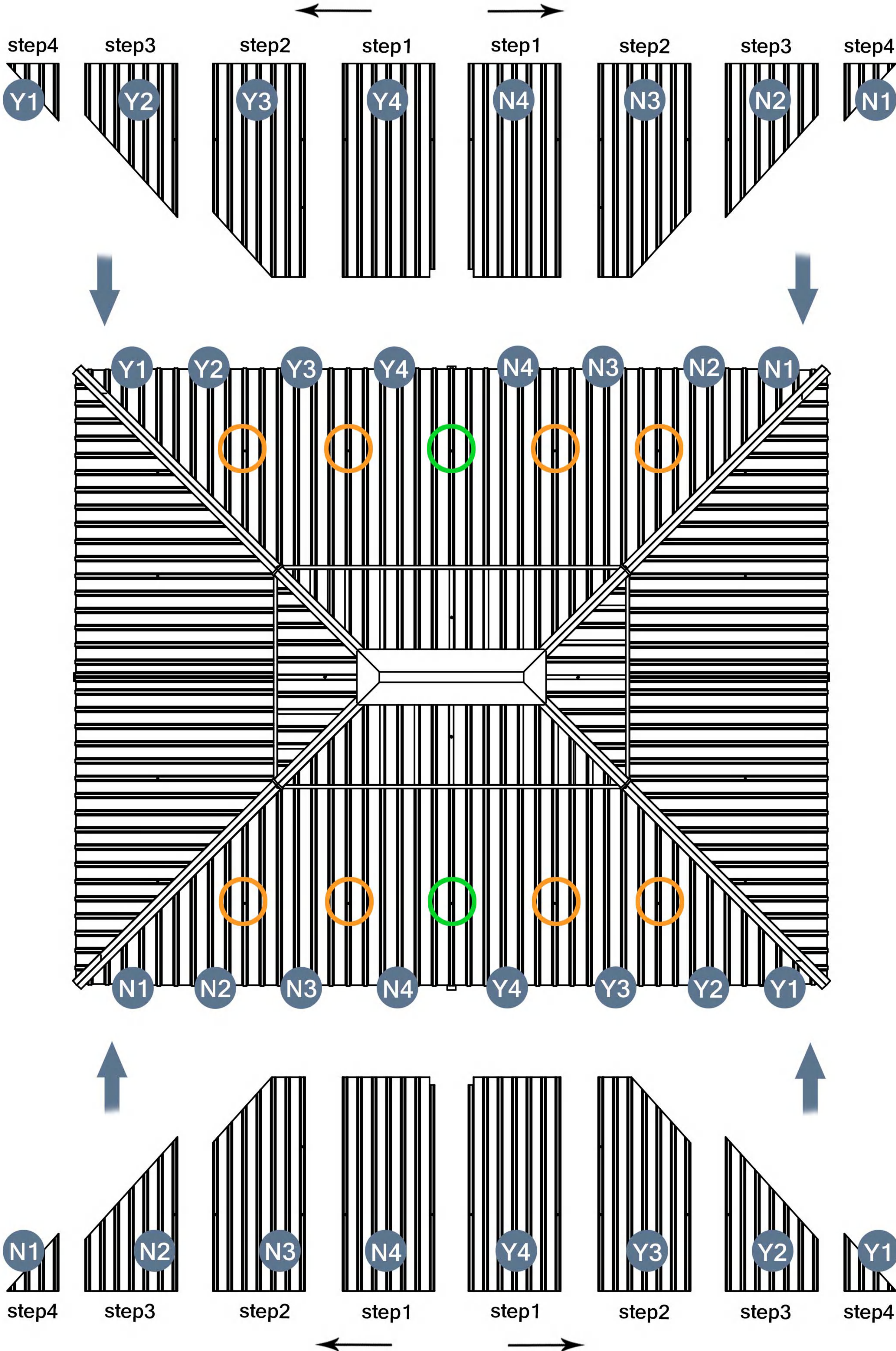
# STEP 15

Parts required



Pay attention to the direction of screw installation

• Side view

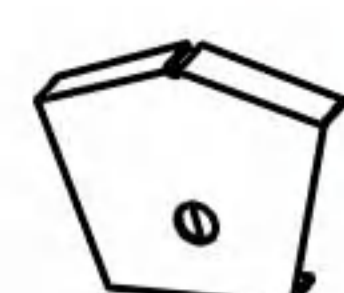


Please take care of the screws and contact the after-sales service if there is any problem with the installation or parts.

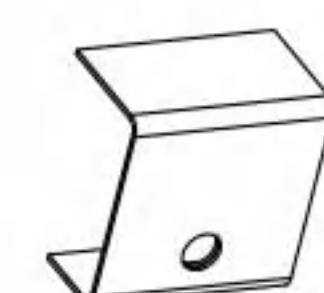
➔ ✉ E-mail: [cs.helper01@gmail.com](mailto:cs.helper01@gmail.com)

# STEP 16

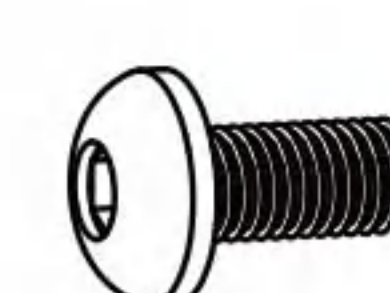
Parts required



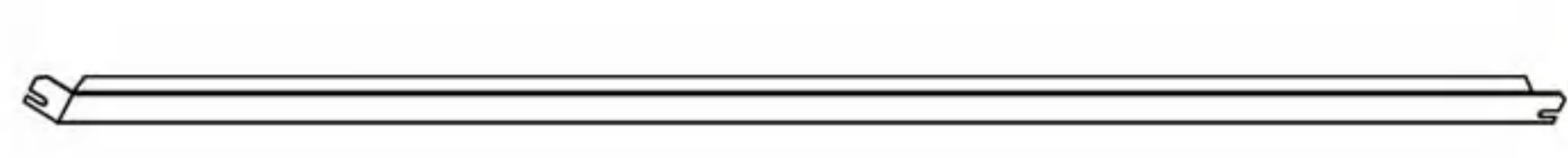
M2 4pcs



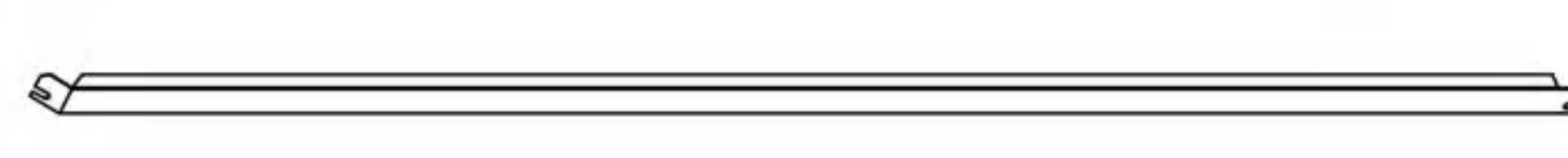
M1 4pcs



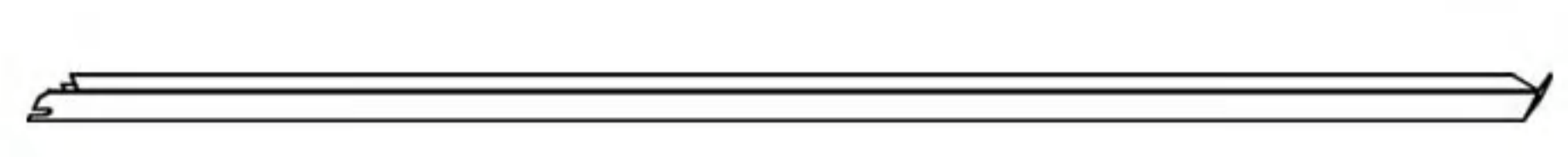
X1 8pcs



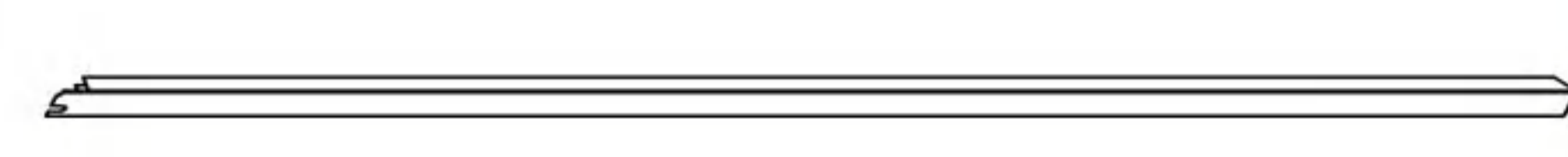
G1 2pcs



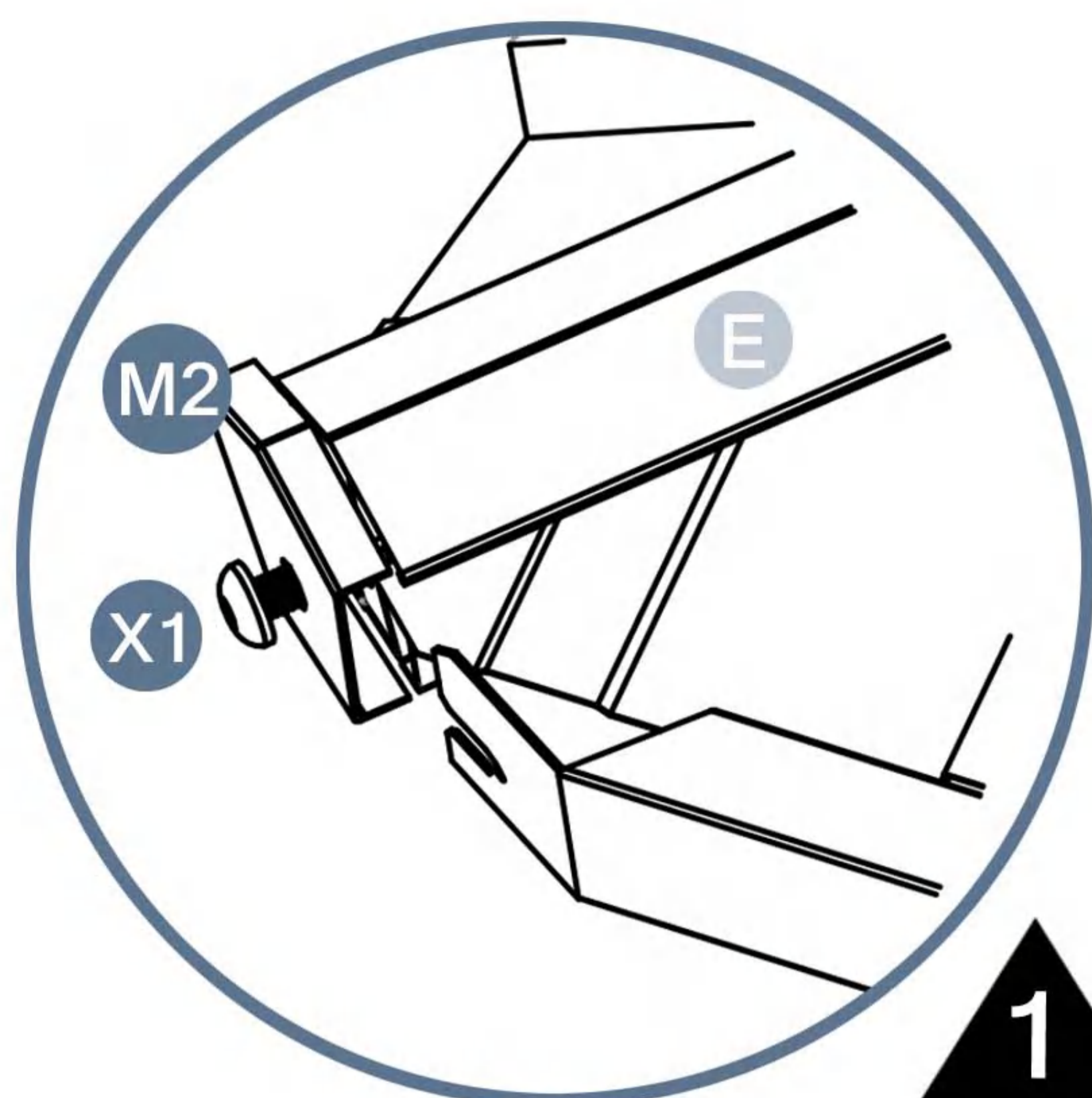
G3 2pcs



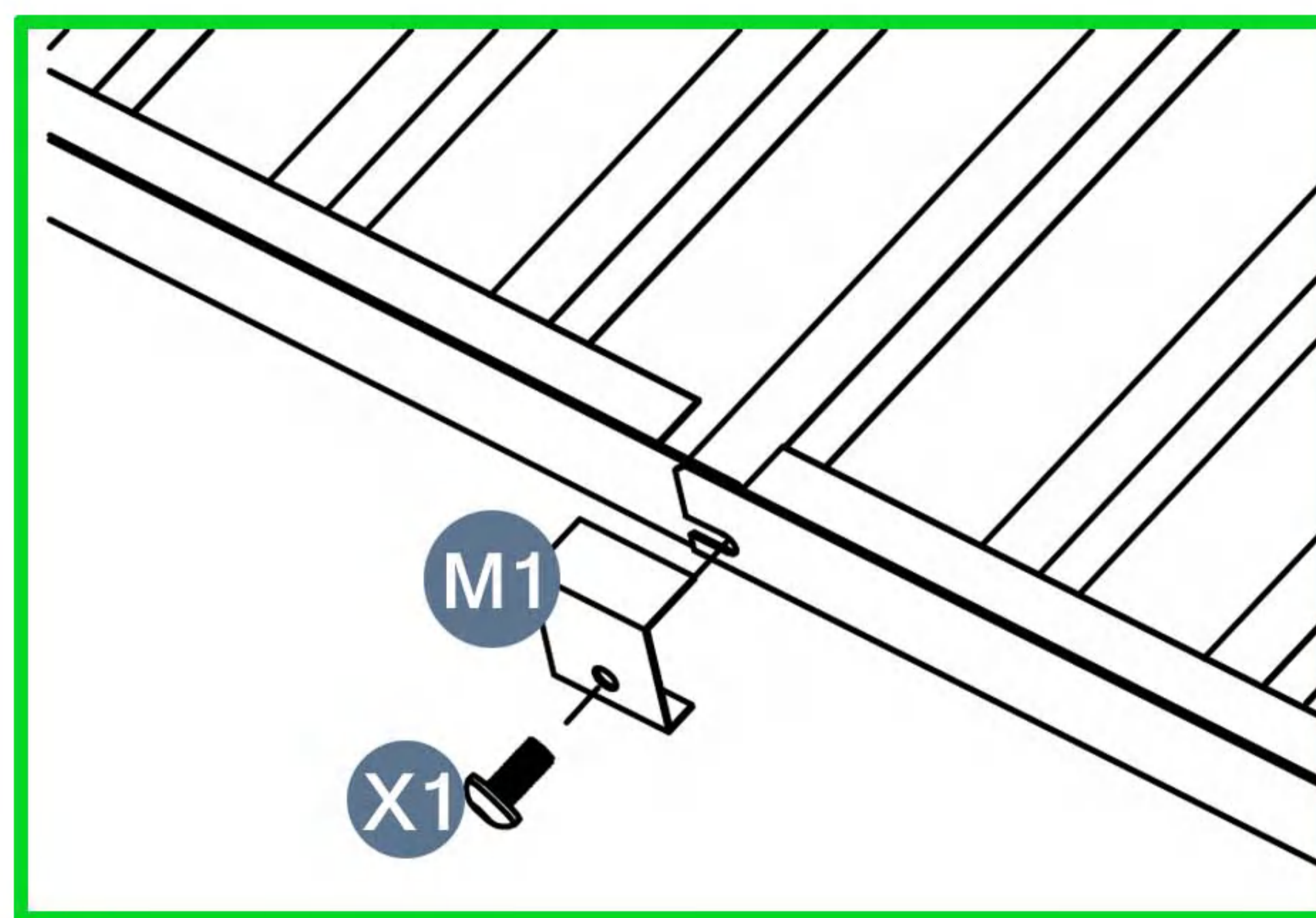
G2 2pcs



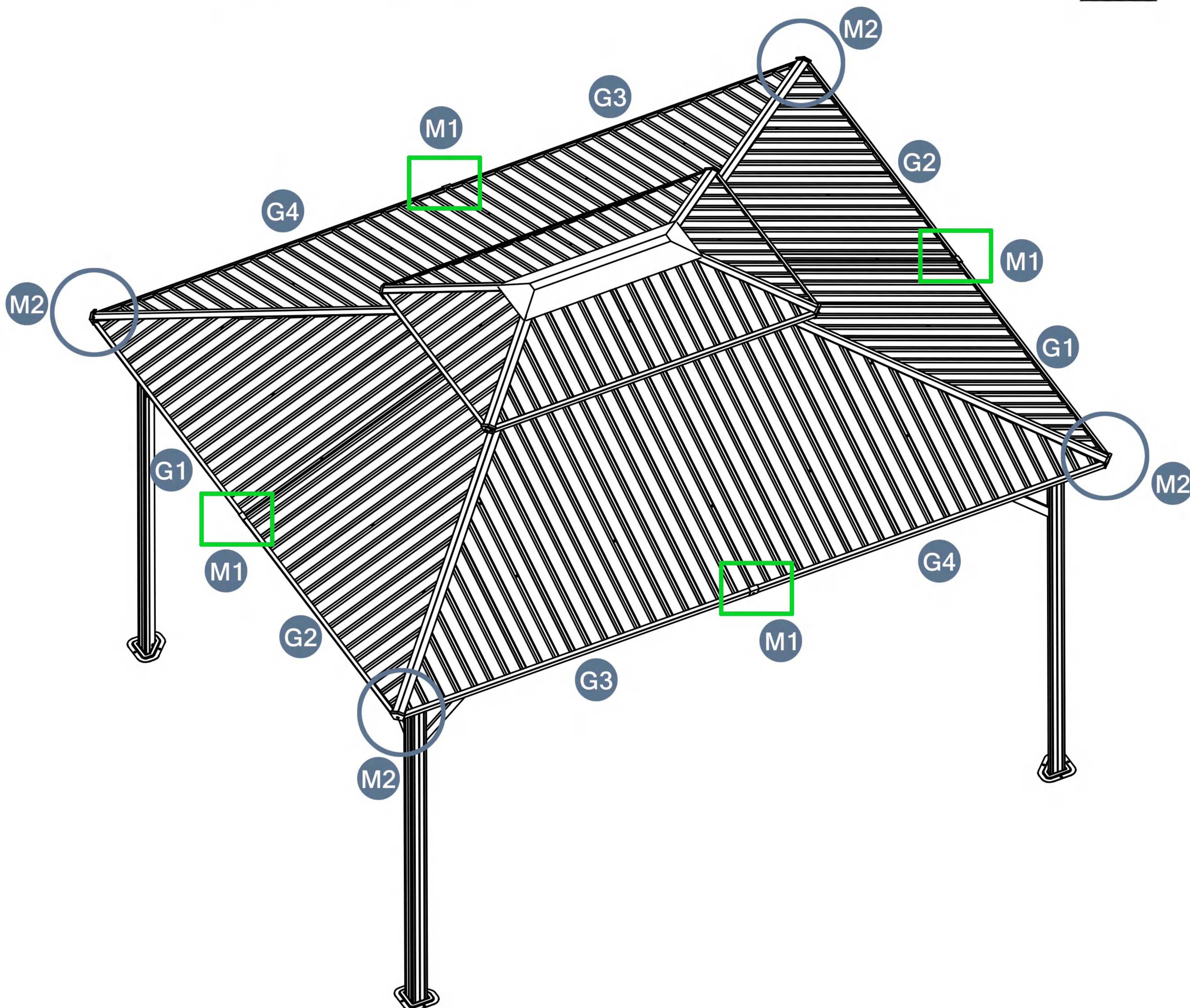
G4 2pcs



1



2



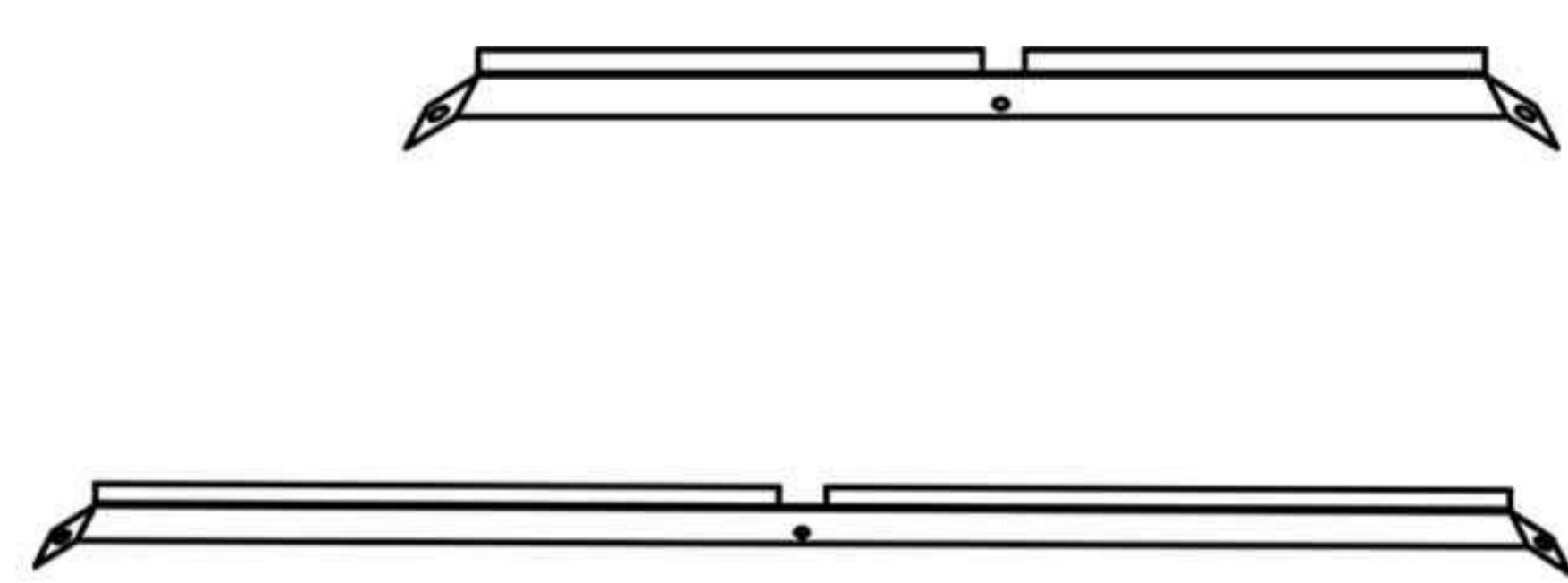
Please take care of the screws and contact the after-sales service if there is any problem with the installation or parts.



E-mail: [cs.helper01@gmail.com](mailto:cs.helper01@gmail.com)

# STEP 17

Parts required

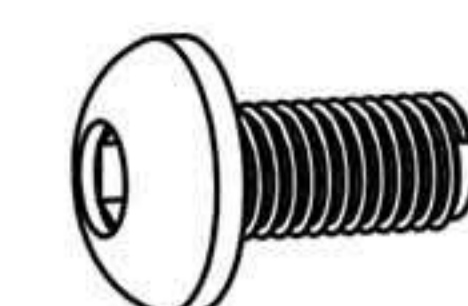


G8 2pcs

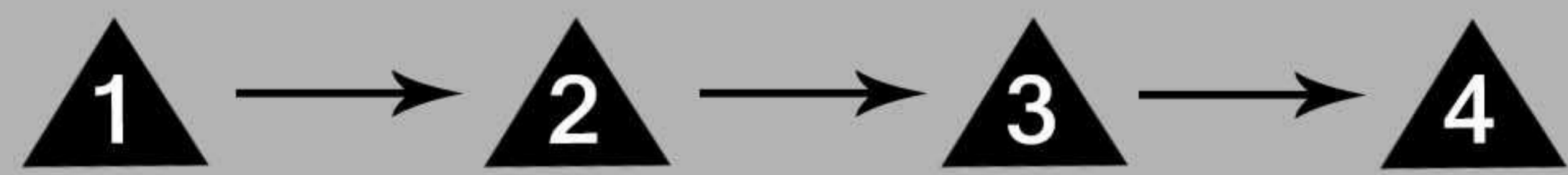


X5 4pcs

G10 2pcs

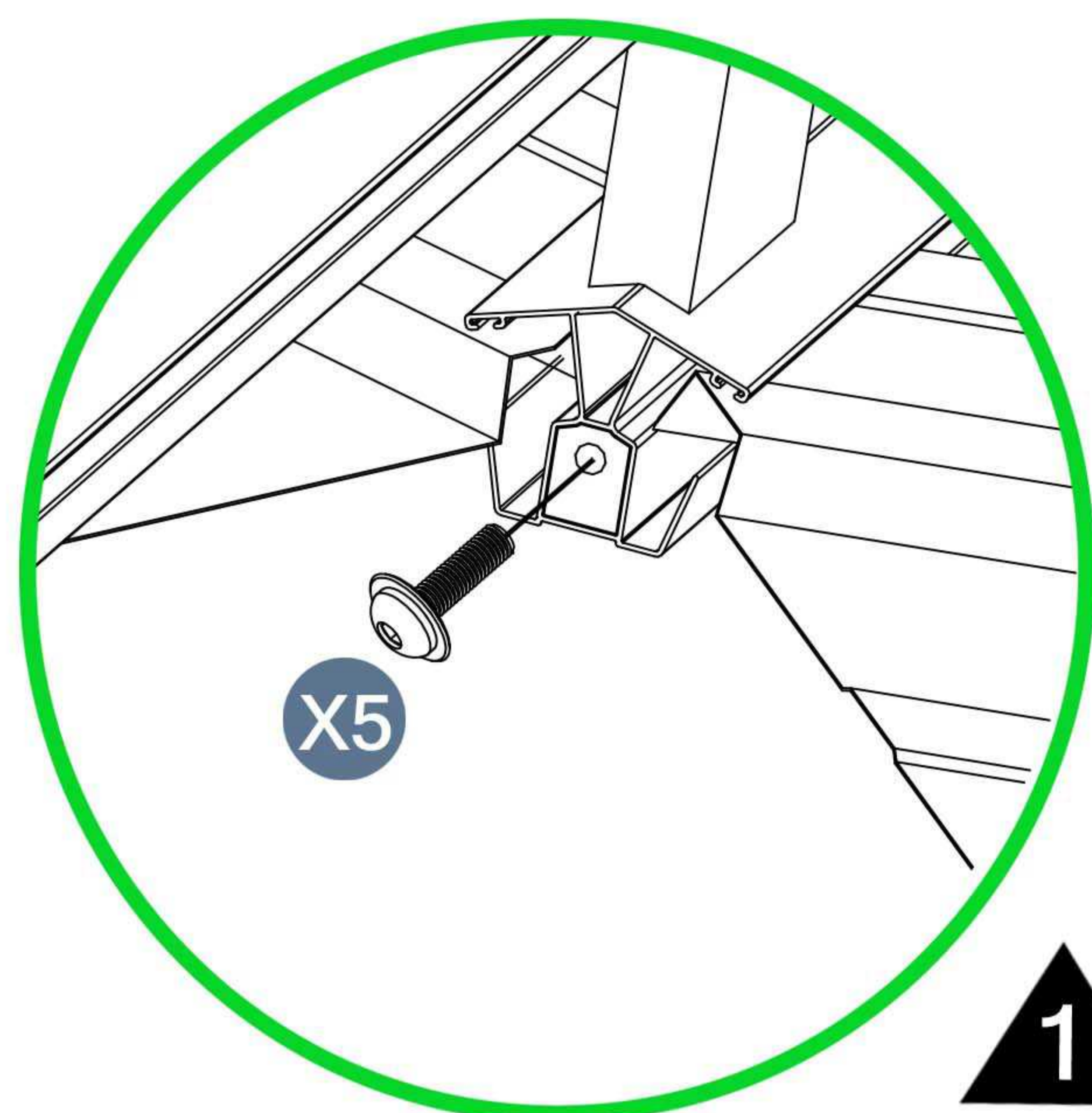
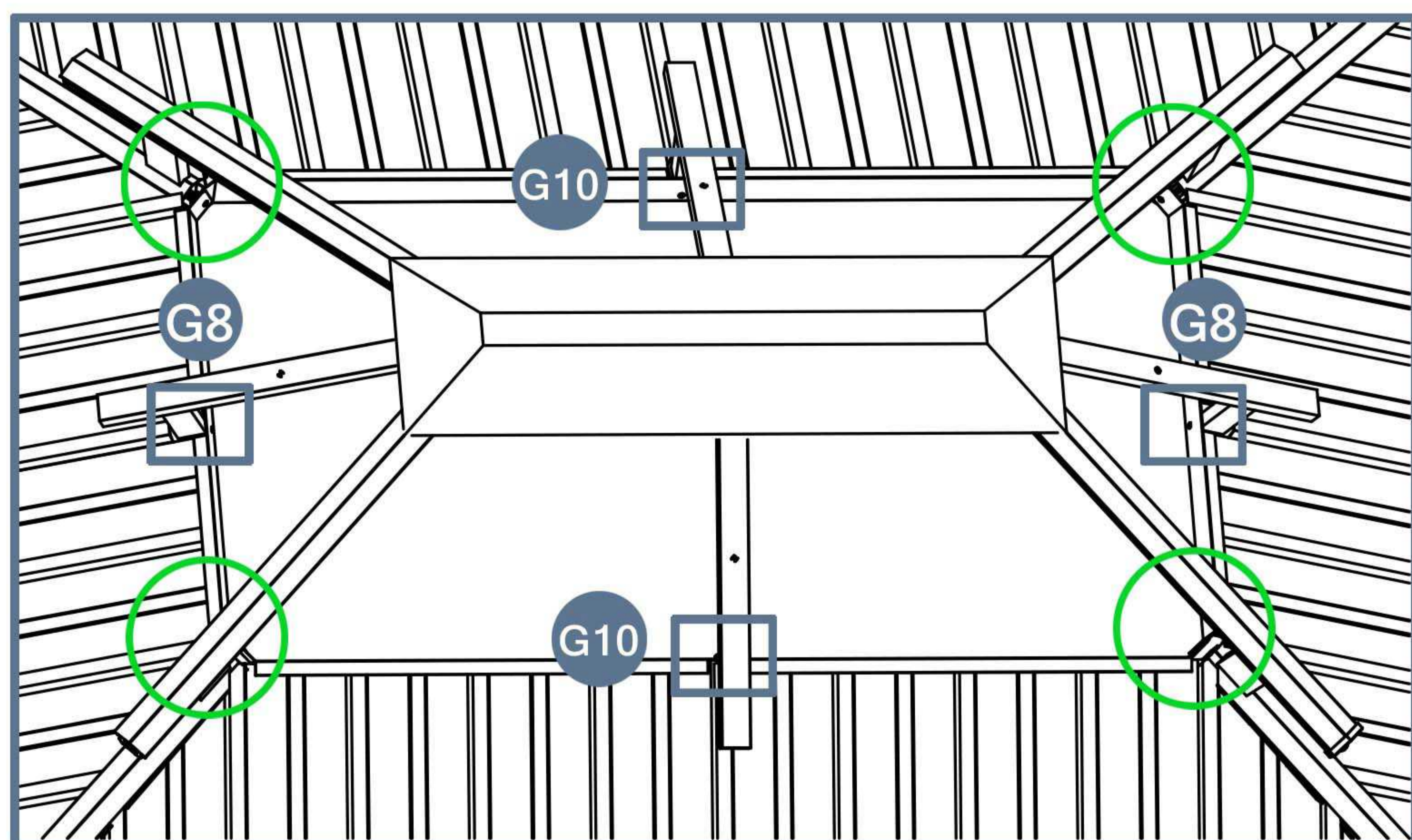


X1 4pcs

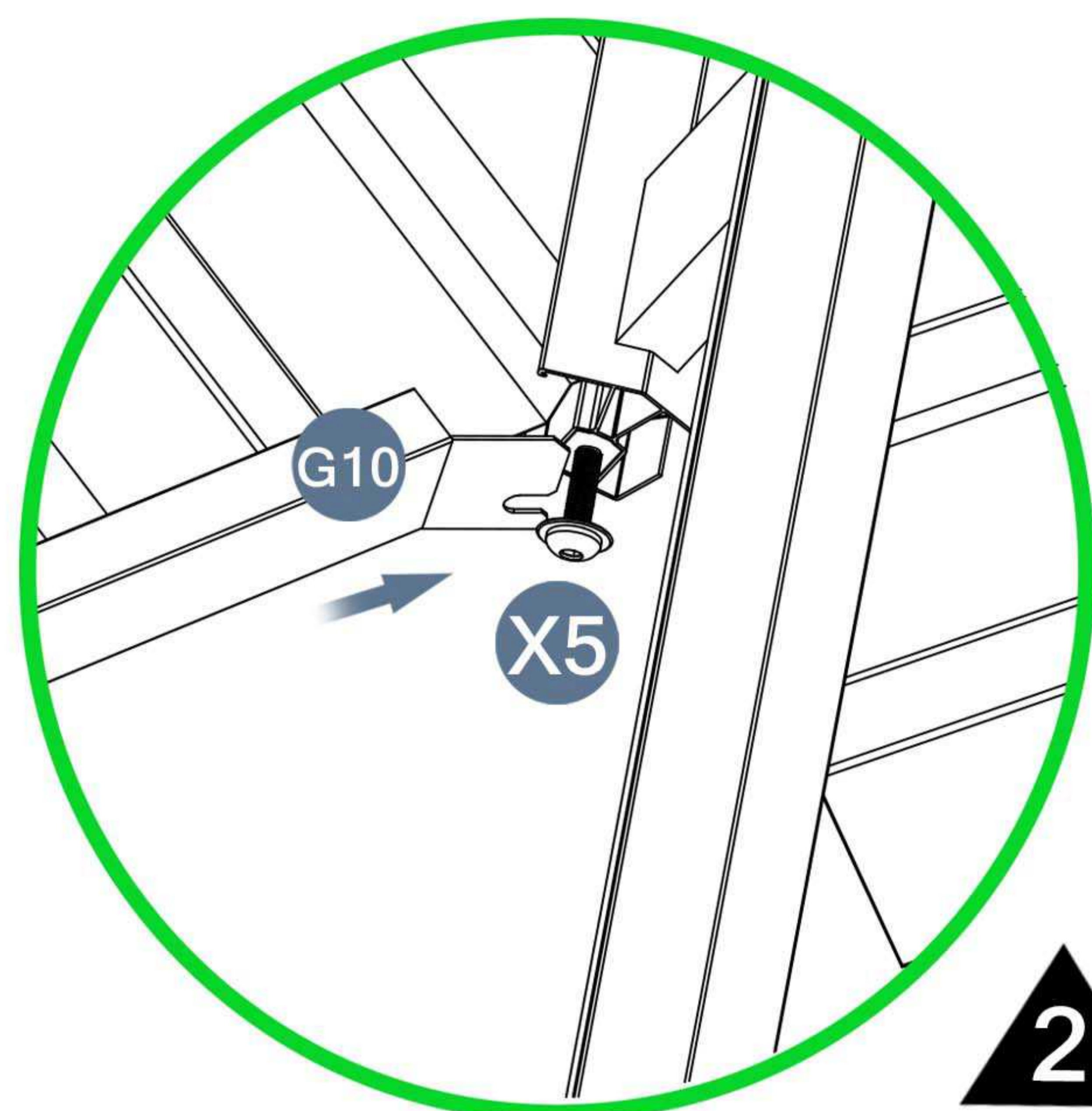


It can be installed from the inside.

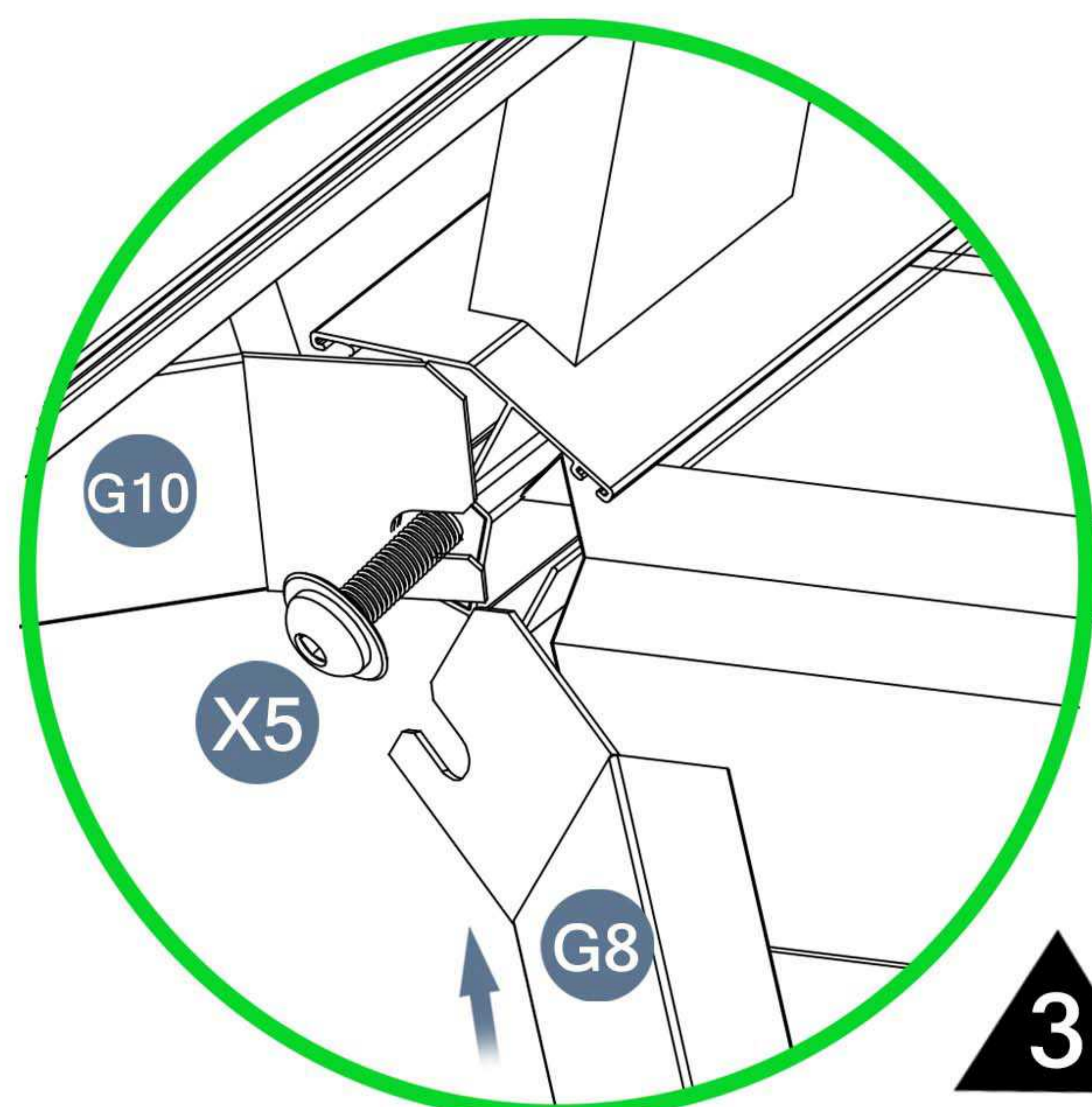
To better align the screws for practical situations, do not fully tighten screws initially.



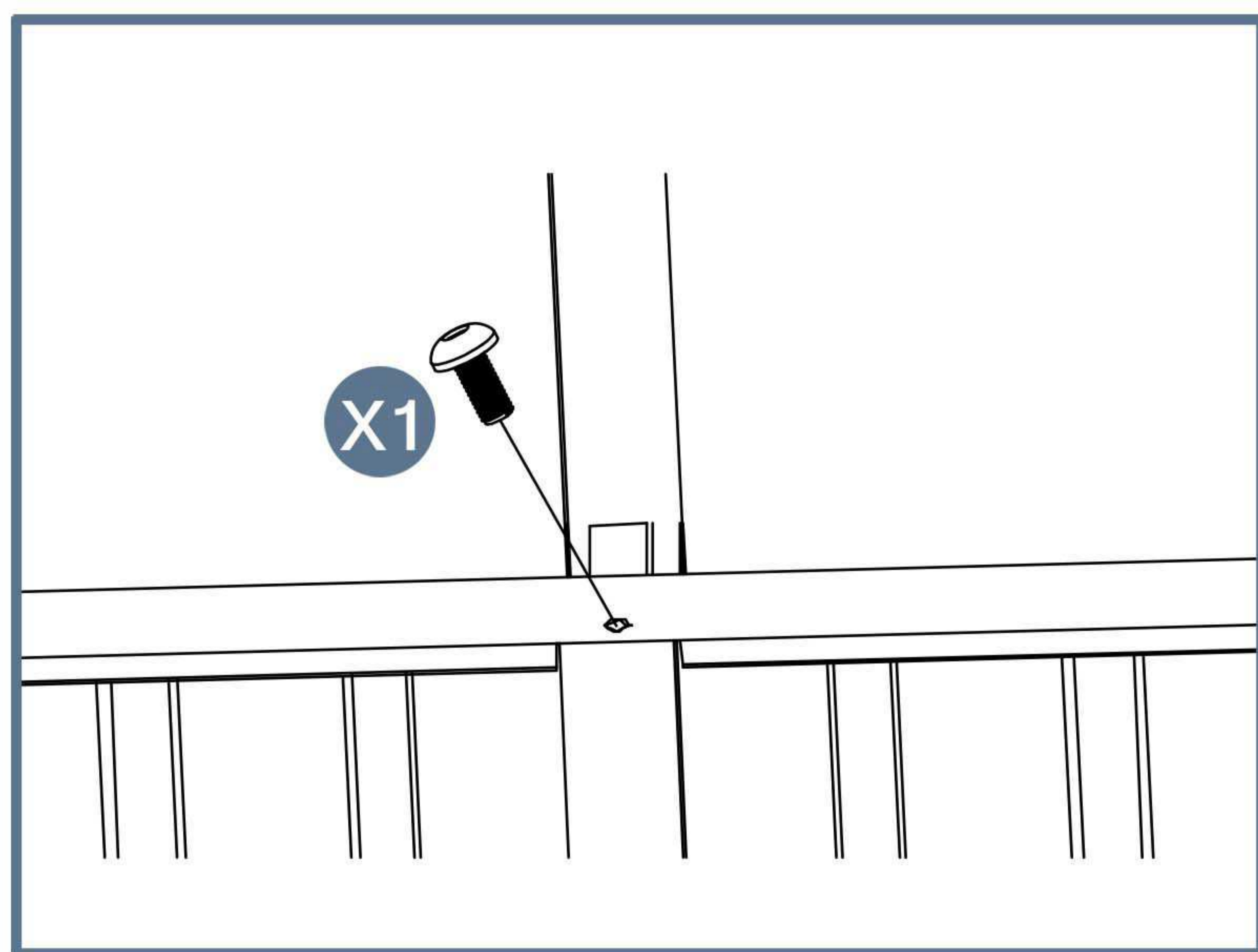
1



2



3



4

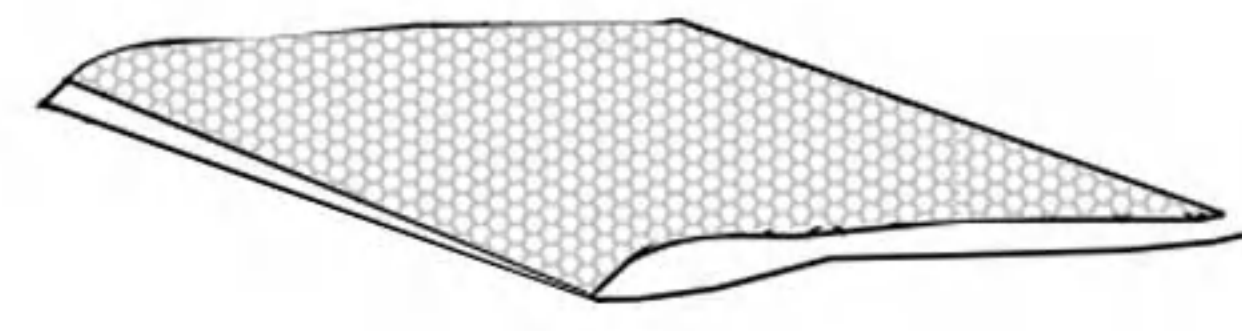
Please take care of the screws and contact the after-sales service if there is any problem with the installation or parts.



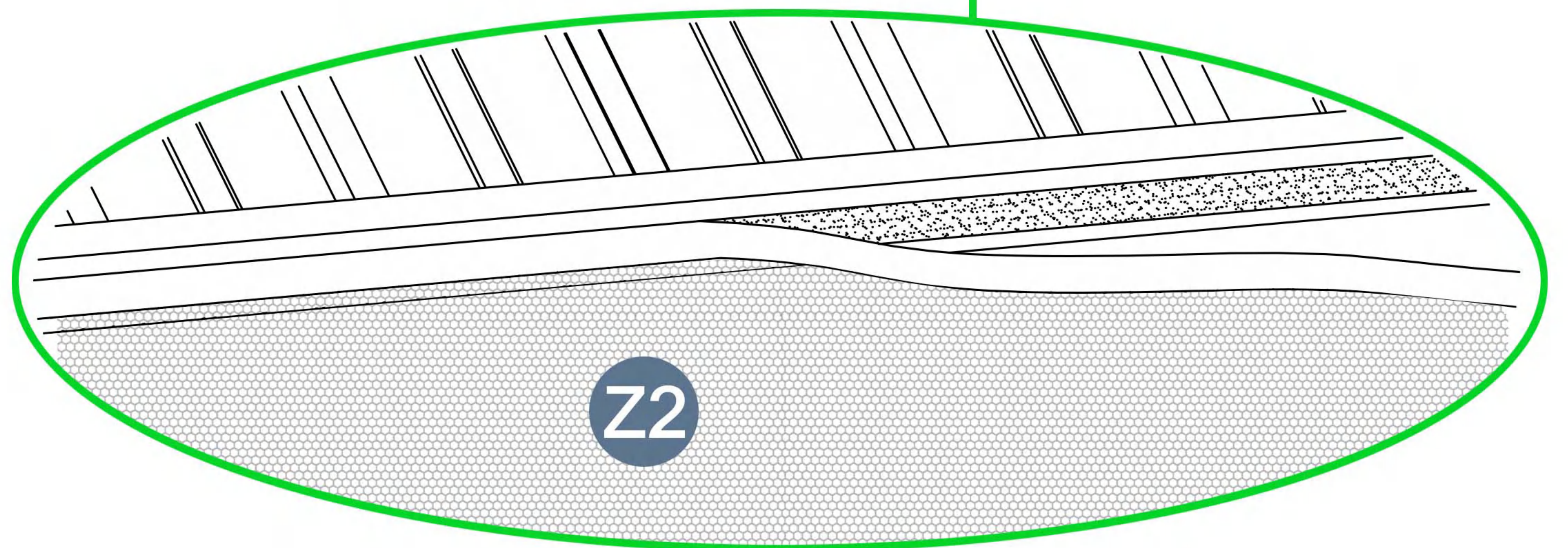
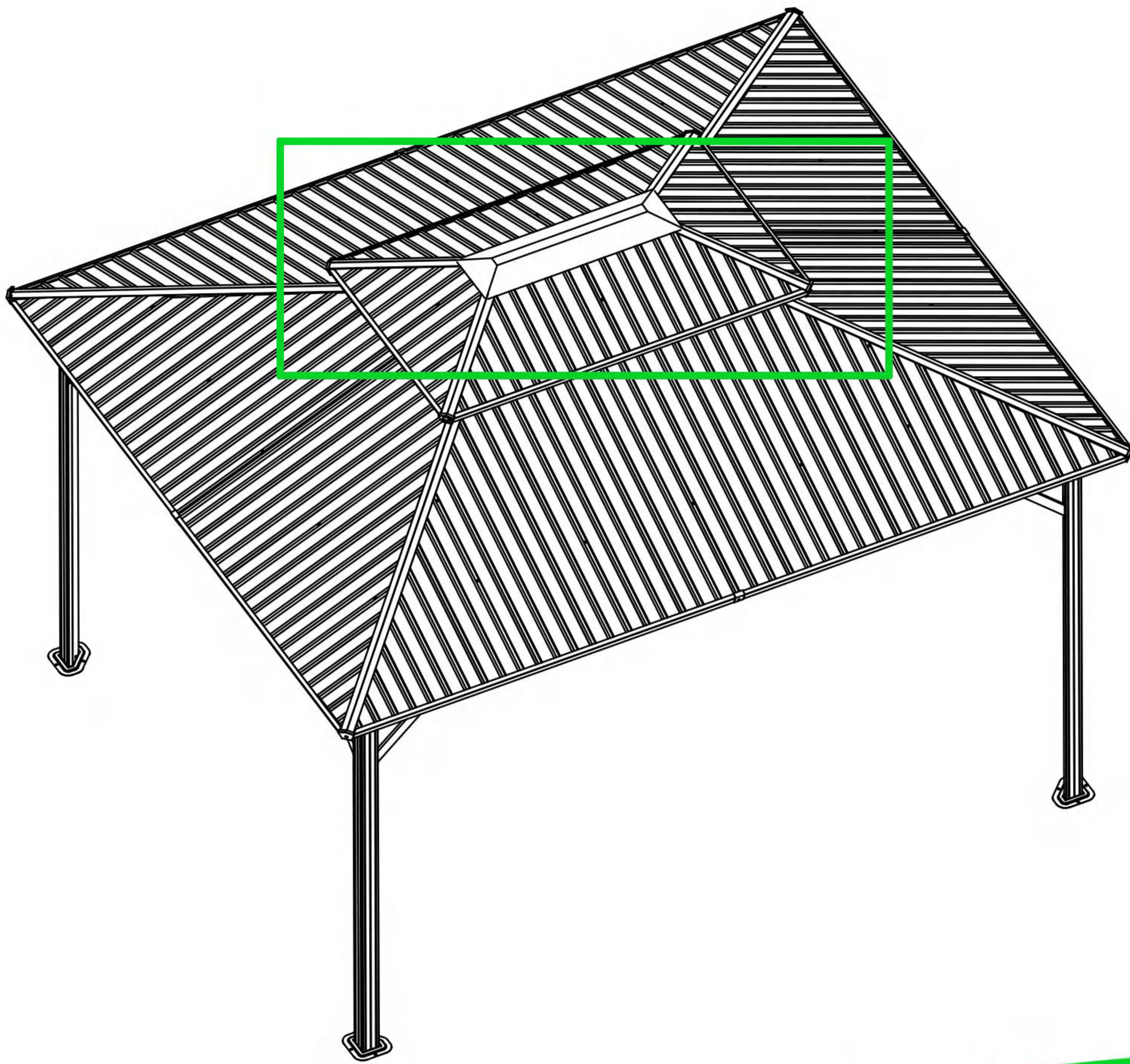
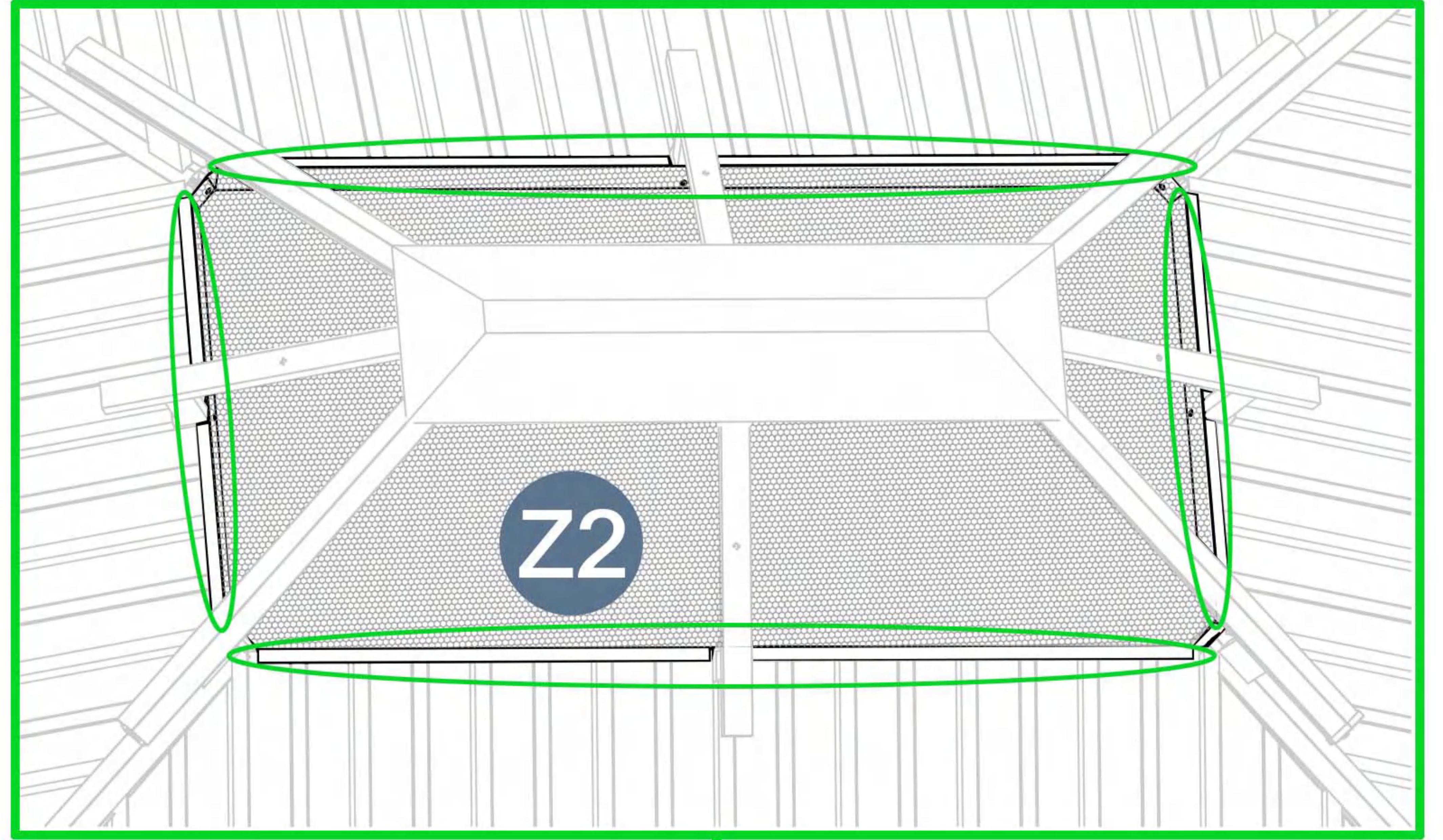
E-mail: [cs.helper01@gmail.com](mailto:cs.helper01@gmail.com)

# STEP 18

Parts required



Z2 1pcs

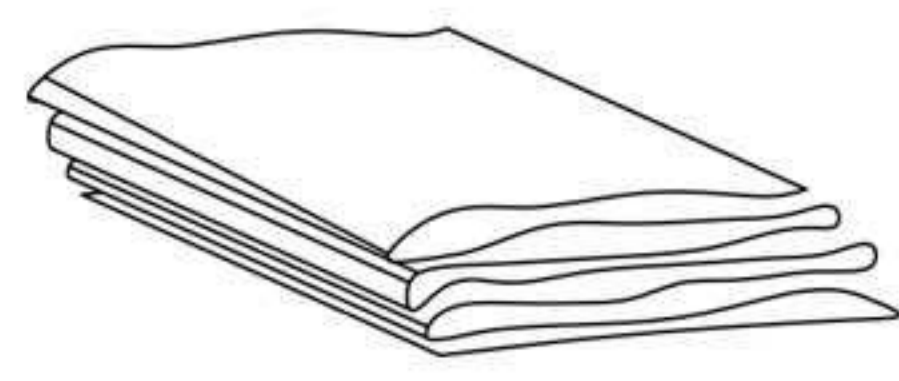


Please take care of the screws and contact the after-sales service if there is any problem with the installation or parts.

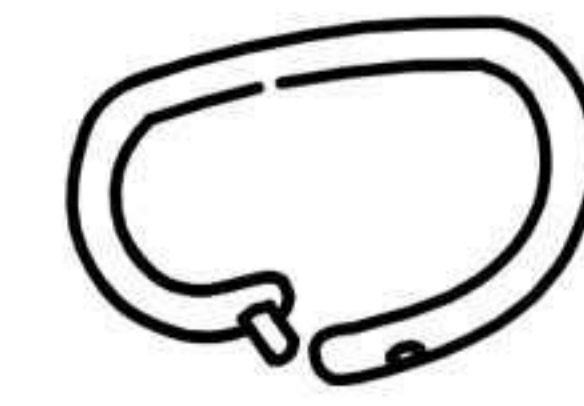
➔ ✉ E-mail: [cs.helper01@gmail.com](mailto:cs.helper01@gmail.com)

# STEP 19

Parts required

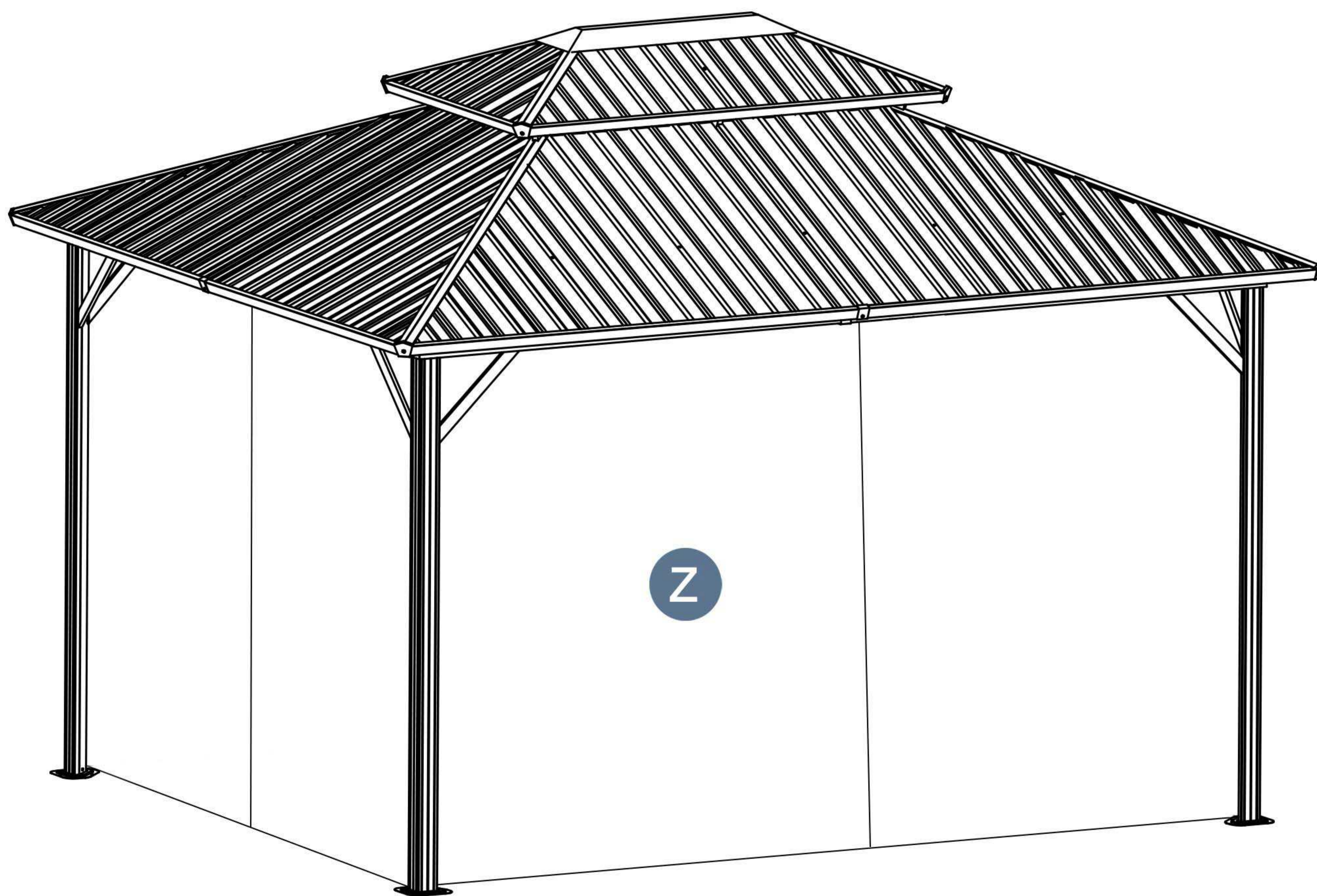
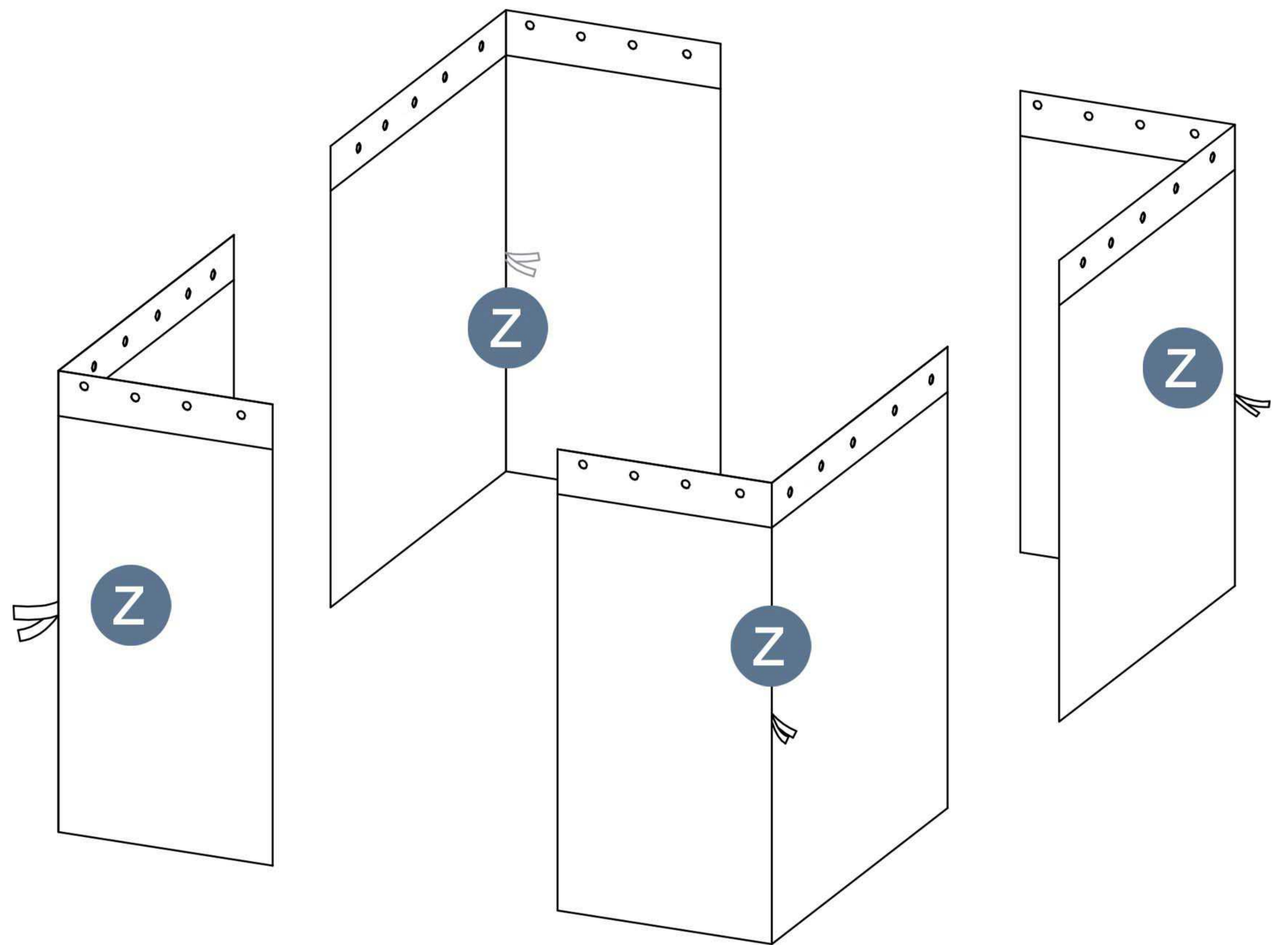
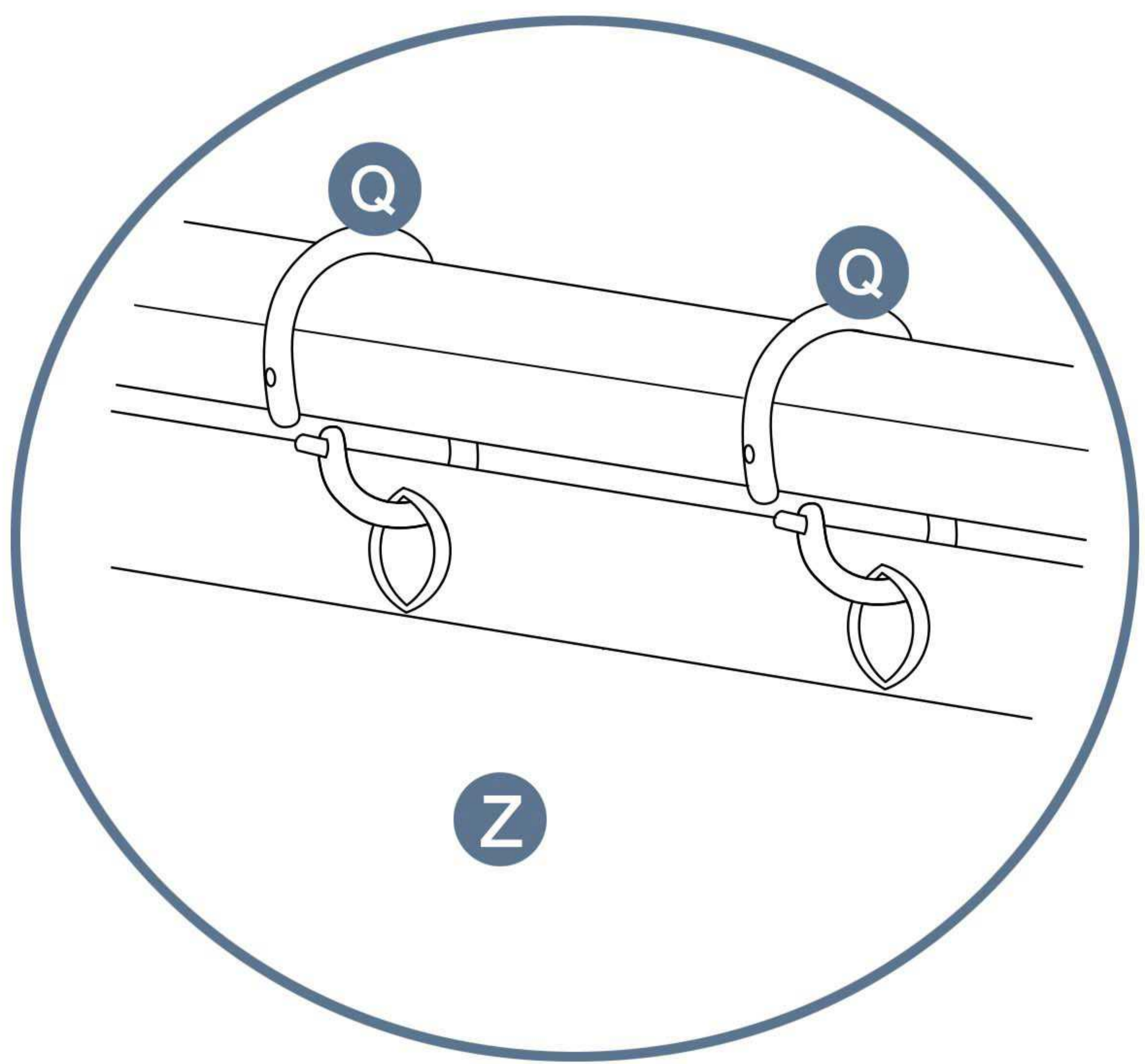


Z 1pcs



Q 36pcs

Pay attention to the number of holes on the top of the cloth.



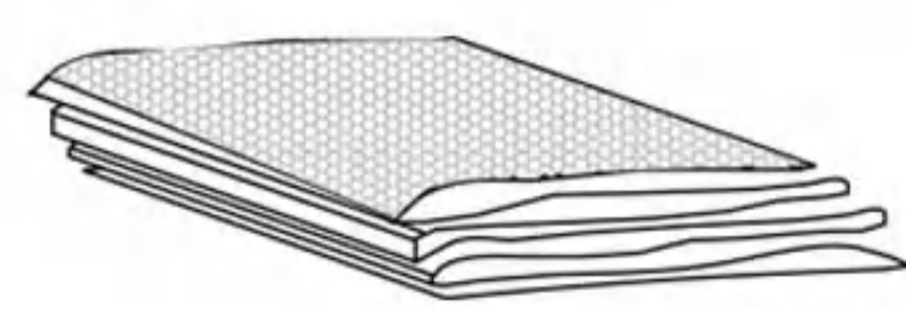
Please take care of the screws and contact the after-sales service if there is any problem with the installation or parts.



E-mail: [cs.helper01@gmail.com](mailto:cs.helper01@gmail.com)

# STEP 20

Parts required

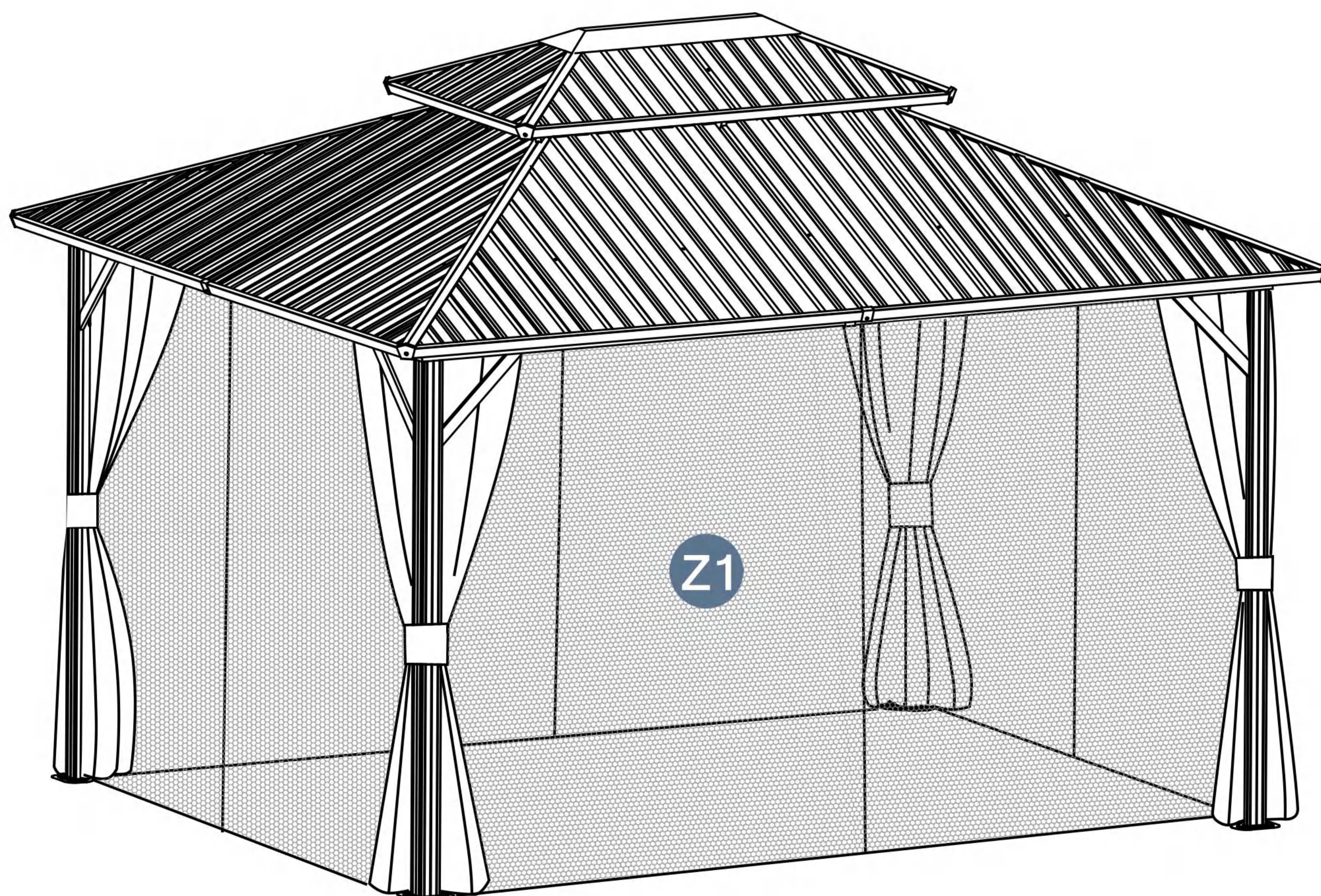
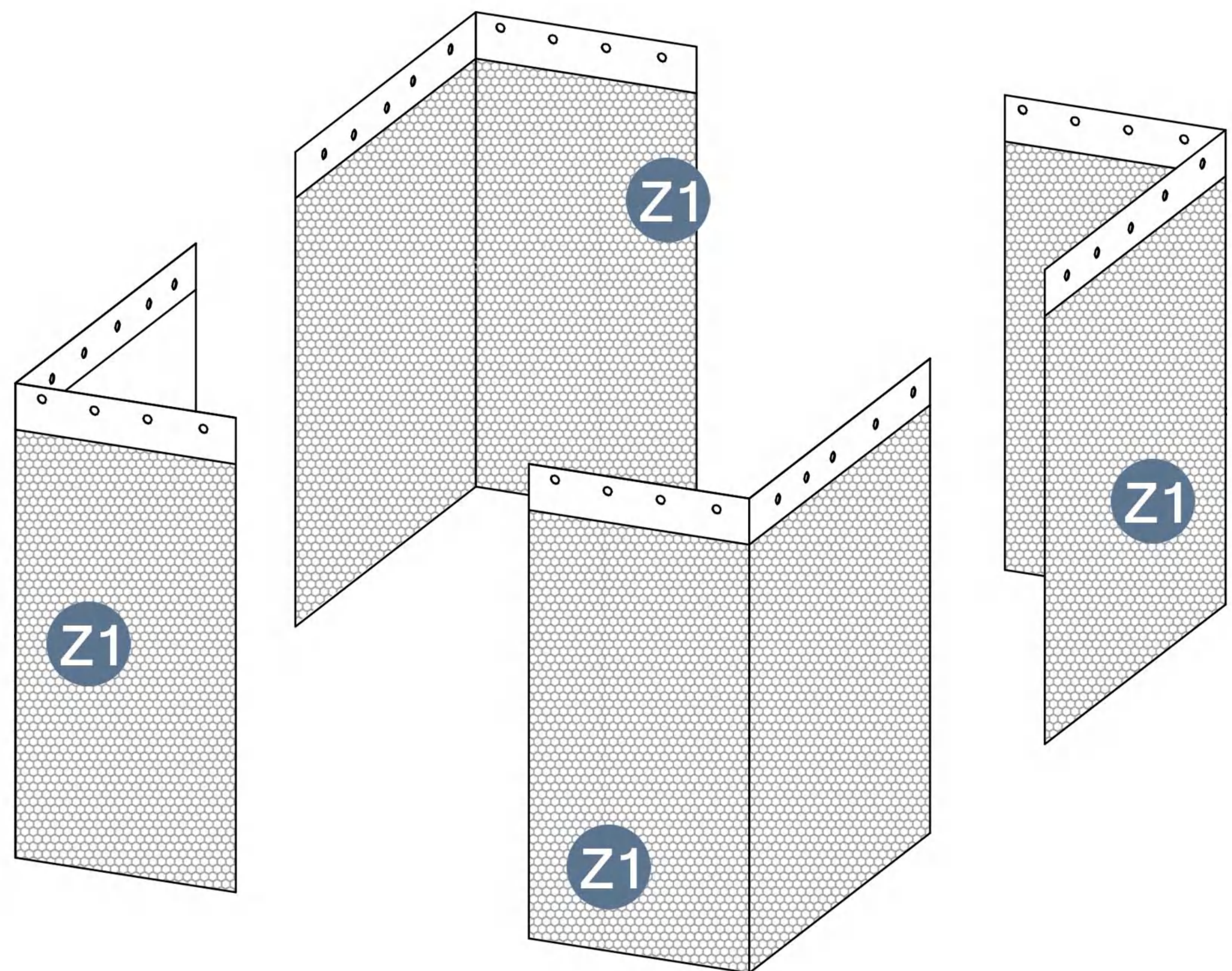
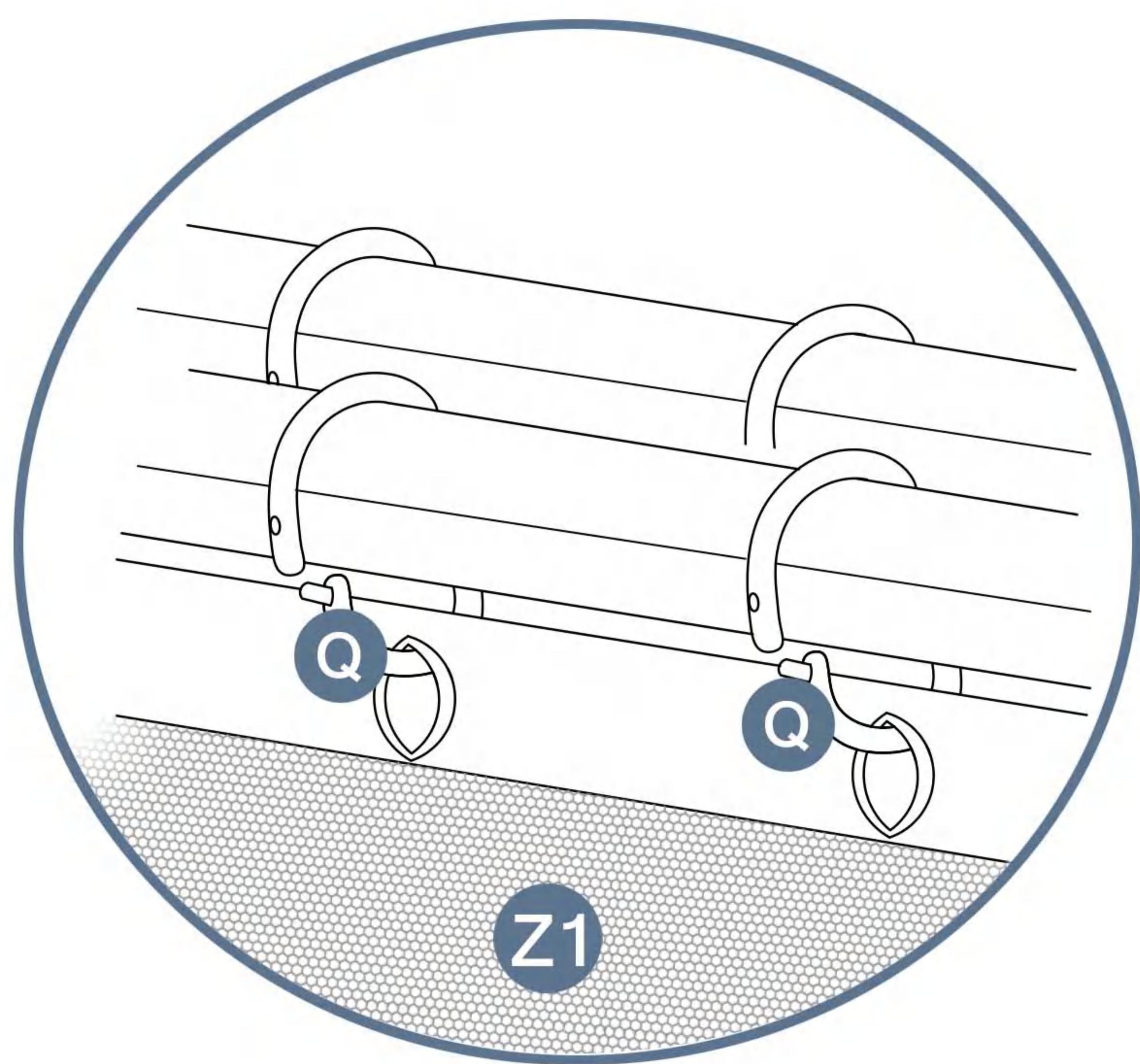


Z1 1pcs



Q 36pcs

Pay attention to the number of holes on the top of the cloth.

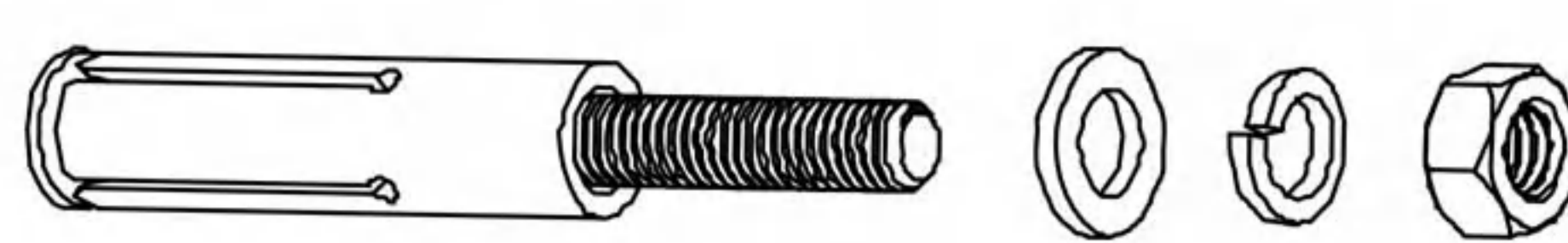


Please take care of the screws and contact the after-sales service if there is any problem with the installation or parts.

➔ ✉ E-mail: [cs.helper01@gmail.com](mailto:cs.helper01@gmail.com)

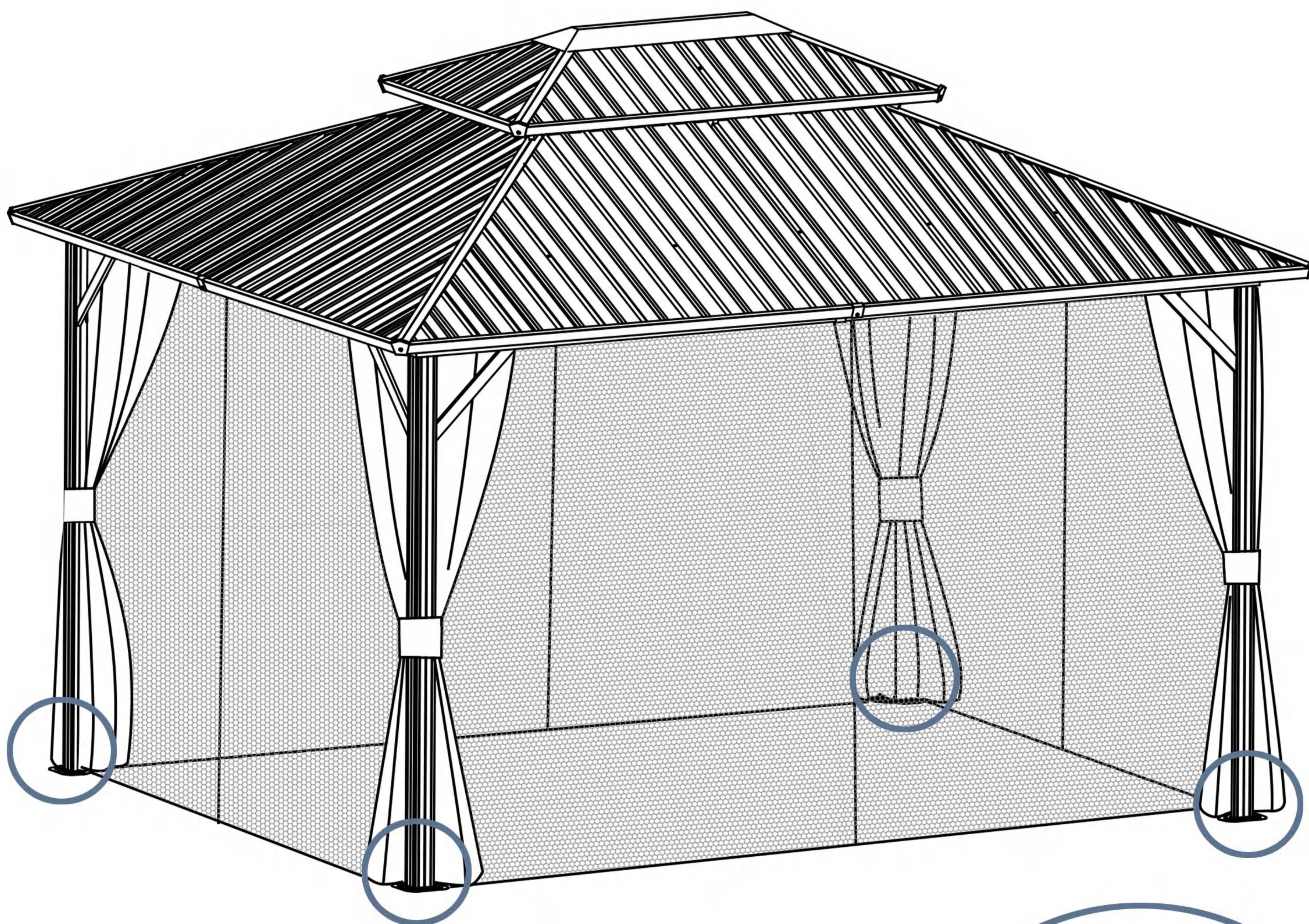
# STEP 21

Parts required

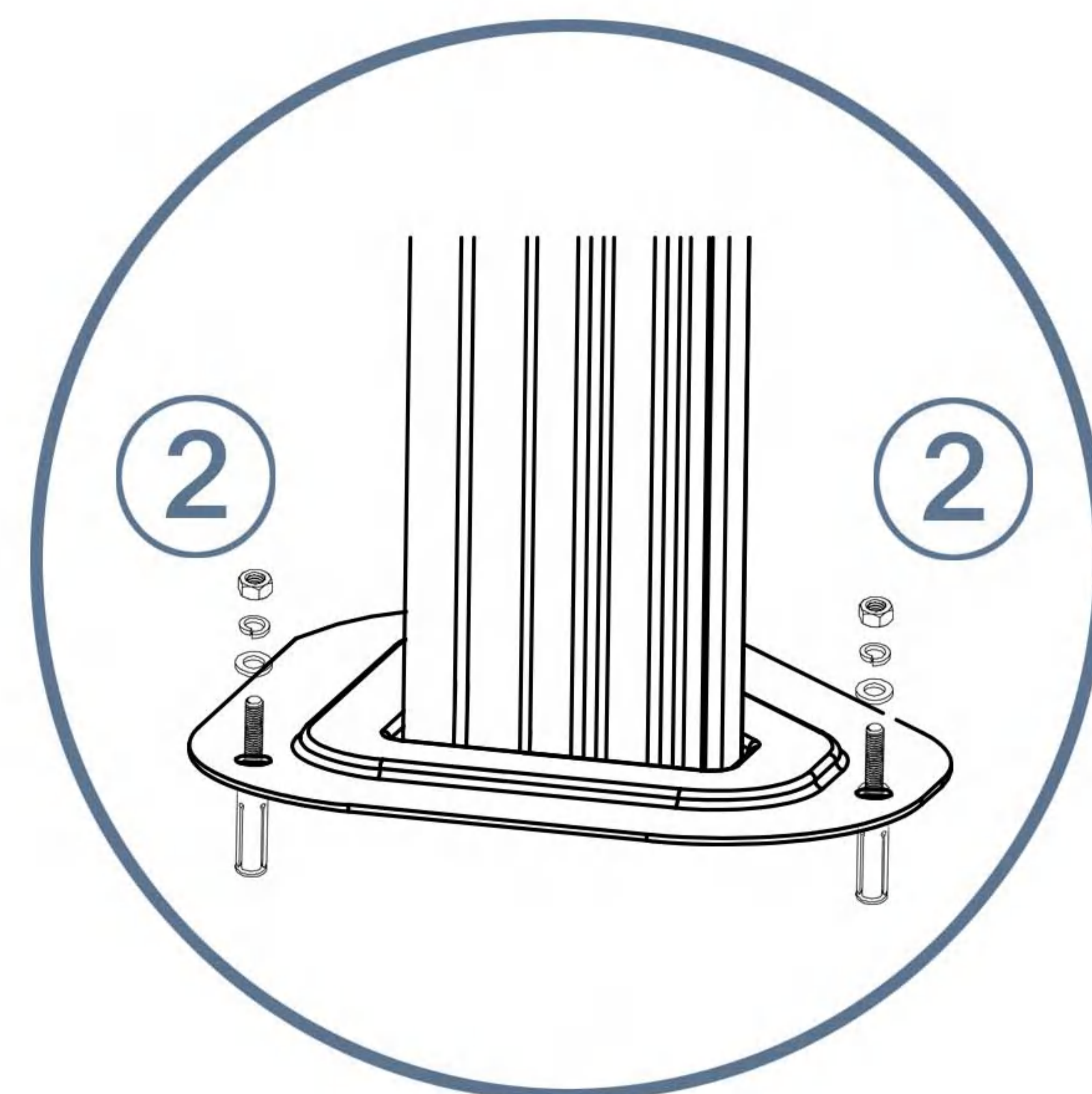


② 8pcs

To improve stability of gazebo, expansion screws very necessary. Expansion screws use for cement surfaces and have included in the package.



!!! For safety's stake, please check and make sure that all screws are tightened after all installation is complete.



## Installation Completed

Please take care of the screws and contact the after-sales service if there is any problem with the installation or parts.



E-mail: [cs.helper01@gmail.com](mailto:cs.helper01@gmail.com)

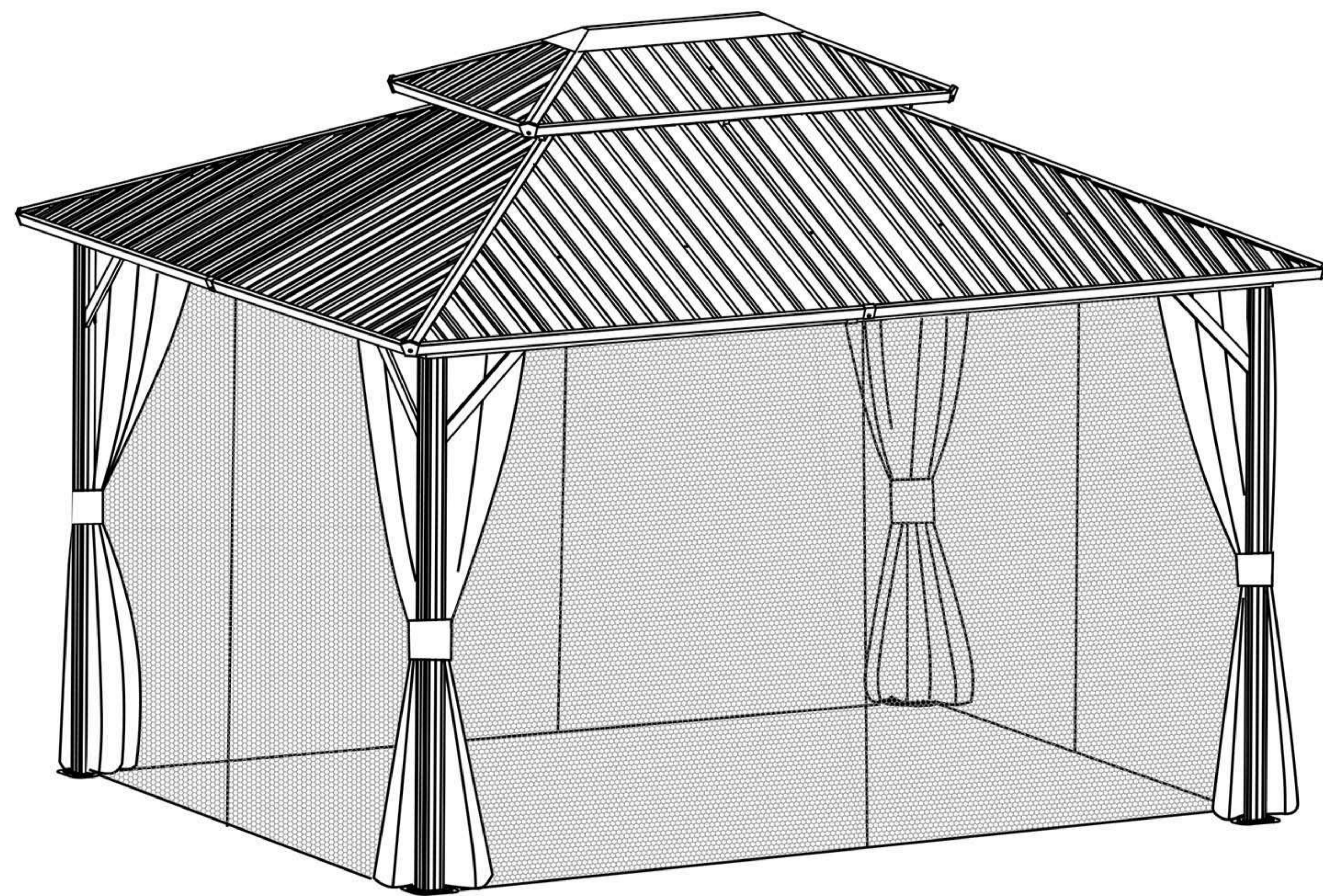
**Hope you enjoy this product.**

If you have any concerns about gazebo Installation, please feel free to contact us. We will reply within 24 hours.



E-mail: [cs.helper01@gmail.com](mailto:cs.helper01@gmail.com)

10X12FT



SKU:A001G005-1  
A001G005-2  
A001G005-3