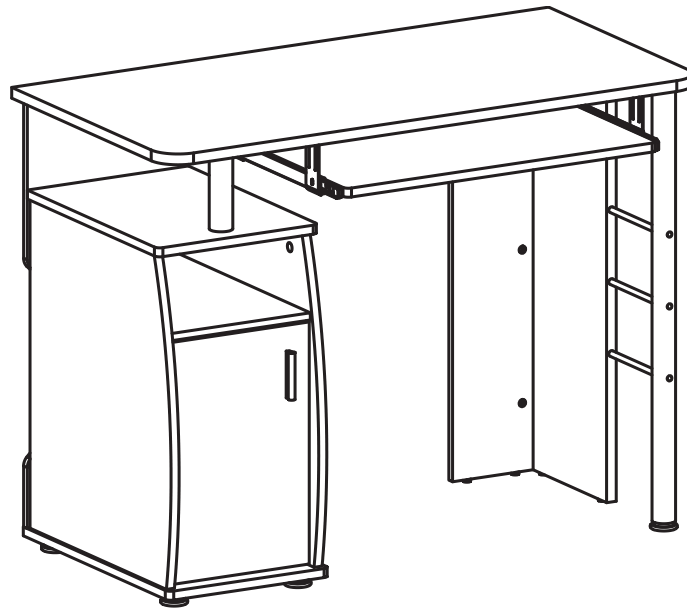


# ASSEMBLY INSTRUCTIONS

Please read this guide carefully and check that you have all parts before you begin assembly. As a thank you for your purchase, we would like to offer you a 10% discount\* off our range of matching furniture



**TWO PEOPLE RECOMMENDED**

**PC1 (ELVER)**

## **General Care:**

Keep furniture out of direct sunlight. Use mats and coasters to protect surfaces.  
Do not place hot or wet items directly onto unprotected surfaces.

## **Cleaning:**

Wipe surfaces with a clean damp (not wet) cloth then dry with a clean lint free cotton cloth.  
Glass surfaces may be polished with window or other glass cleaning liquids.

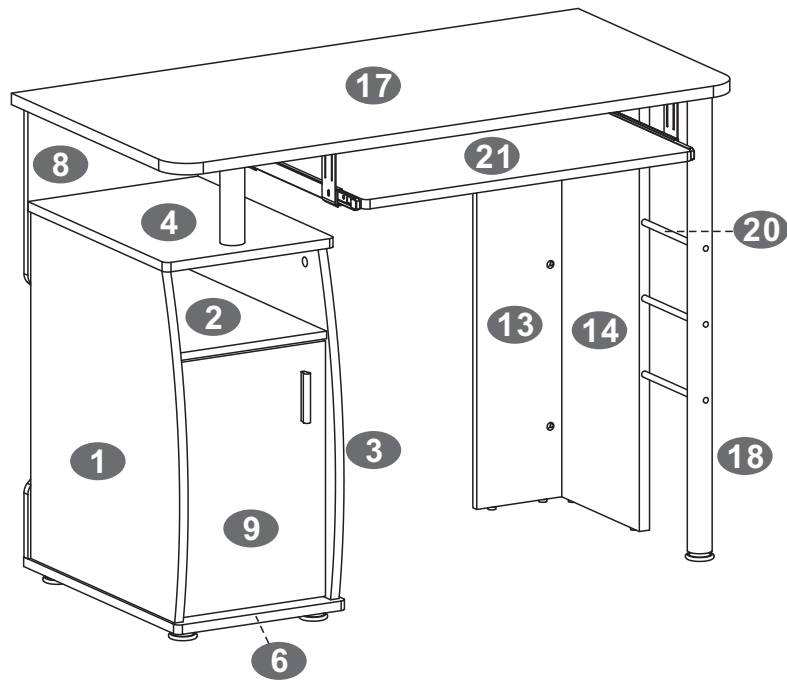
**Please retain cartons until assembled as goods MUST be returned in original packaging.**


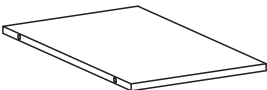
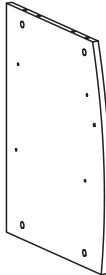
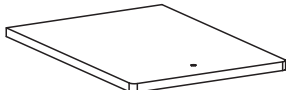
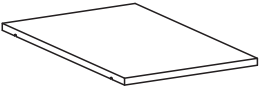
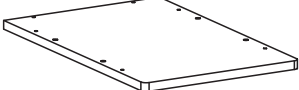
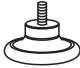
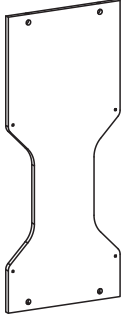
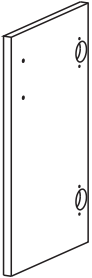
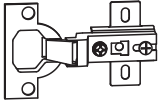


(English)

\*single use and limited to 1 of each item of matching furniture




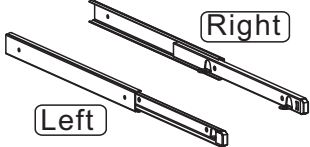
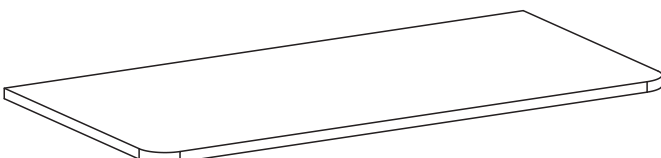


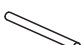





■ PARTS LIST




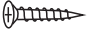
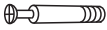



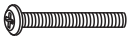



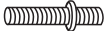
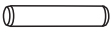



 X1	 X1	 X1	 X1
 X1	 X1	 X5	 X1
 X1	 X2	 X1	 X1



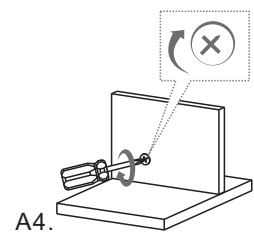
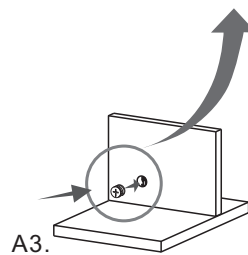
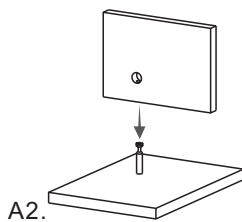
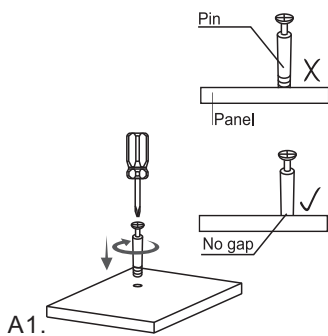
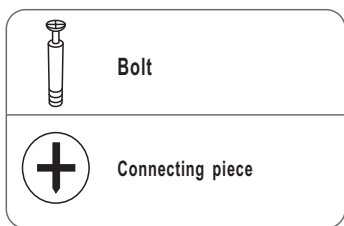
 <p>13</p> <p>X1</p>	 <p>14</p> <p>X1</p>	 <p>15</p> <p>X4</p>	 <p>16</p> <p>X1</p>
 <p>17</p> <p>X1</p>		 <p>18</p> <p>X1</p>	 <p>19</p> <p>X1</p>
 <p>20</p> <p>X3</p>	 <p>21</p> <p>X1</p>	 <p>22</p> <p>X4</p>	 <p>23</p> <p>X1</p>



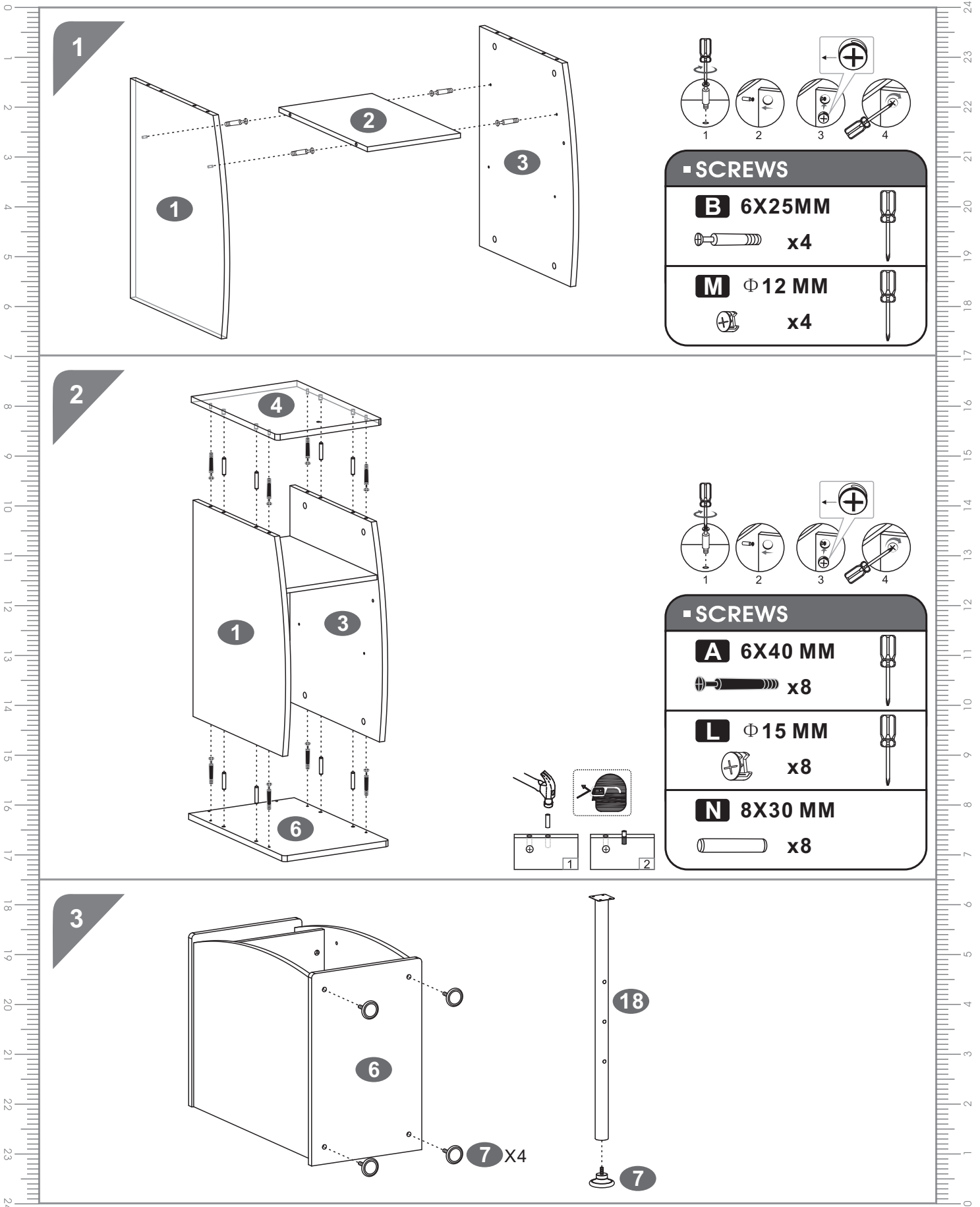
### ▪SCREWS LIST

PART	QTY.	ITEM		PART	QTY.	ITEM	
<b>A</b>	10	6X40 MM		<b>I</b>	8	4X16 MM	
<b>B</b>	17	6X25 MM		<b>J</b>	2	4X20 MM	
<b>C</b>	1	6X35 MM		<b>K</b>	4	4X4 MM	
<b>D</b>	3	6X50 MM		<b>L</b>	10	Φ 15 MM	
<b>E</b>	4	6X12 MM		<b>M</b>	17	Φ 12 MM	
<b>F</b>	3	6X30 MM		<b>N</b>	8	8X30 MM	
<b>G</b>	4	5X40 MM			1		
<b>H</b>	12	4X14 MM					

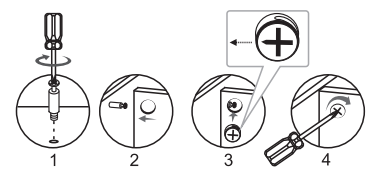
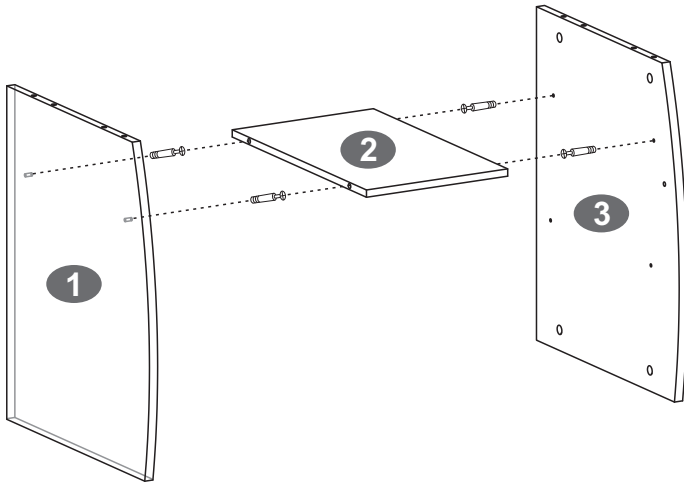
### 6X40MM & 5X25MM BOLT INSTALLATION AS BEL OW:



■ ASSEMBLY STEPS:

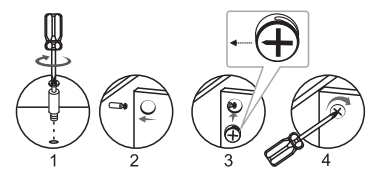
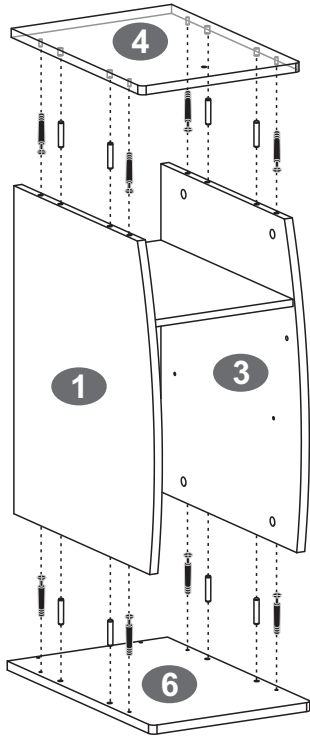


1



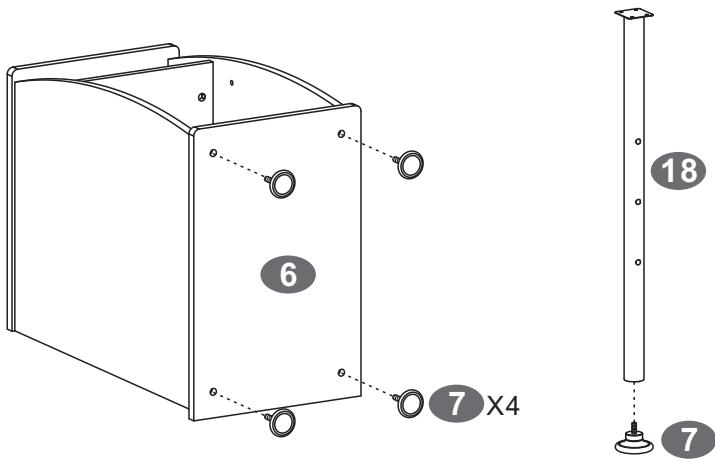
- SCREWS**
- B 6X25MM** x4
  - M  $\Phi$  12 MM** x4

2



- SCREWS**
- A 6X40 MM** x8
  - L  $\Phi$  15 MM** x8
  - N 8X30 MM** x8

3



18

7 X4

7

**4**

**SCREWS**

<b>B</b> 6X25 MM	
<b>x2</b>	
<b>M</b> $\Phi$ 12MM	
<b>x2</b>	

**5**

**SCREWS**

<b>G</b> 5X40 MM	
<b>x4</b>	

**6**

**SCREWS**

<b>B</b> 6X25 MM	
<b>x3</b>	
<b>M</b> $\Phi$ 12MM	
<b>x3</b>	

**7**

**8** **12** **13**

**1** **2** **3** **4**

**SCREWS**

<b>B</b> 6X25 MM	
x4	
<b>M</b> $\Phi$ 12MM	
x4	

**8**

**15**X4 **17**

**SCREWS**

<b>E</b> 6X12 MM	
x4	

**9**

**Right** **Left** **16** **15**X4

**SCREWS**

<b>K</b> 4X4 MM	
x4	

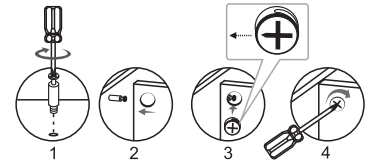
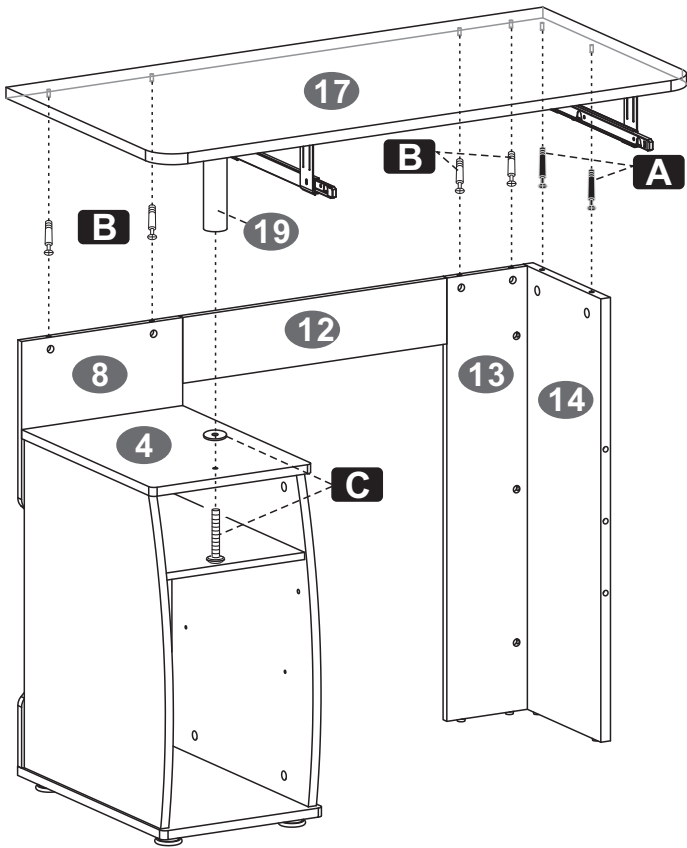
**10**

**19** **17**

**SCREWS**

<b>H</b> 4X14 MM	
x4	

11



SCREWS

**A** 6X40 MM

x2

**B** 6X25 MM

x4

**C** 6X35 MM

x1

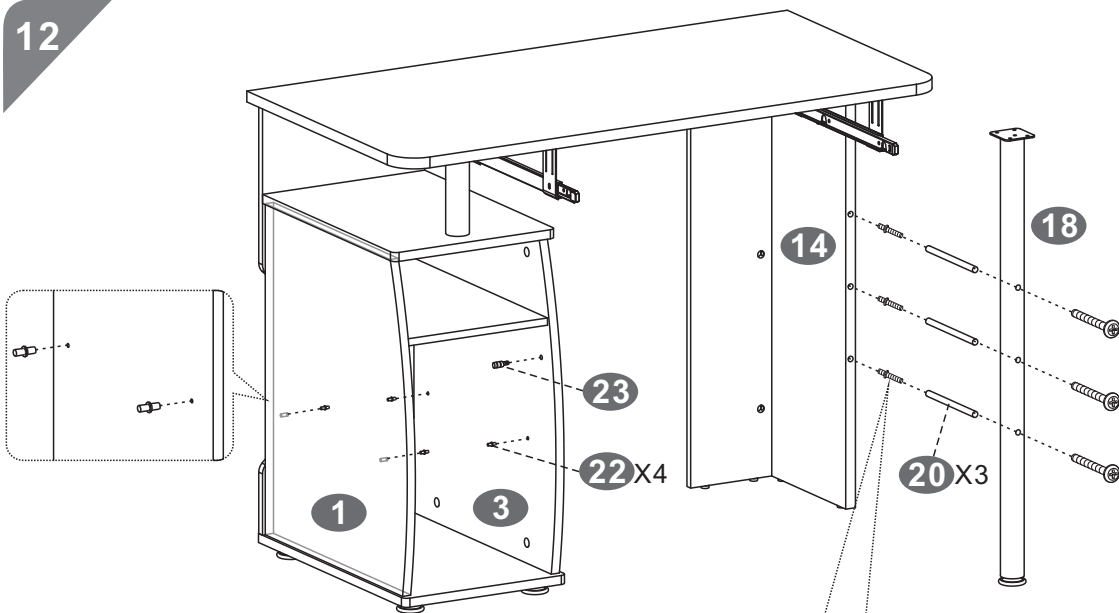
**L**  $\Phi$  15 MM

x2

**M**  $\Phi$  12 MM

x4

12



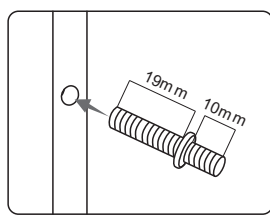
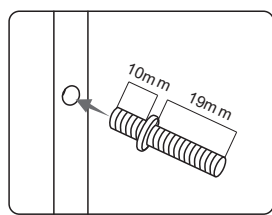
SCREWS

**D** 6X50 MM

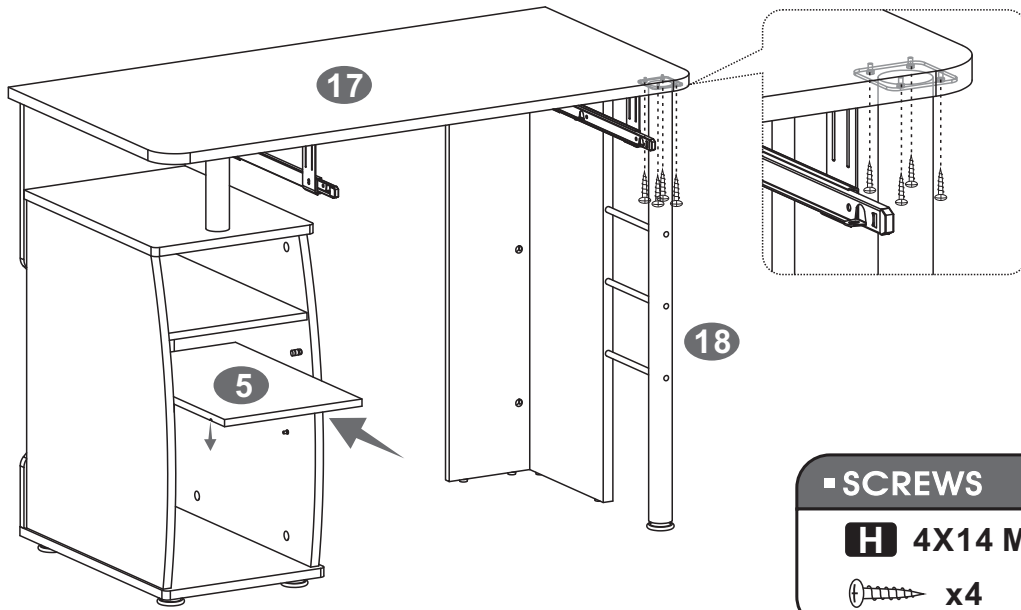
x3

**F** 6X30 MM

x3



13



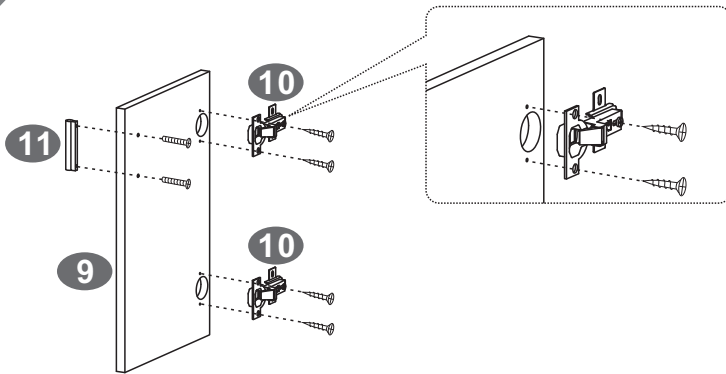
SCREWS

**H** 4X14 MM

x4



14



SCREWS

**I** 4X16 MM

x4

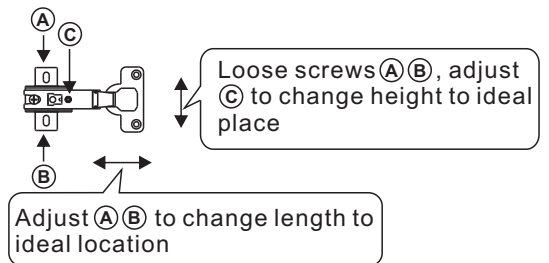
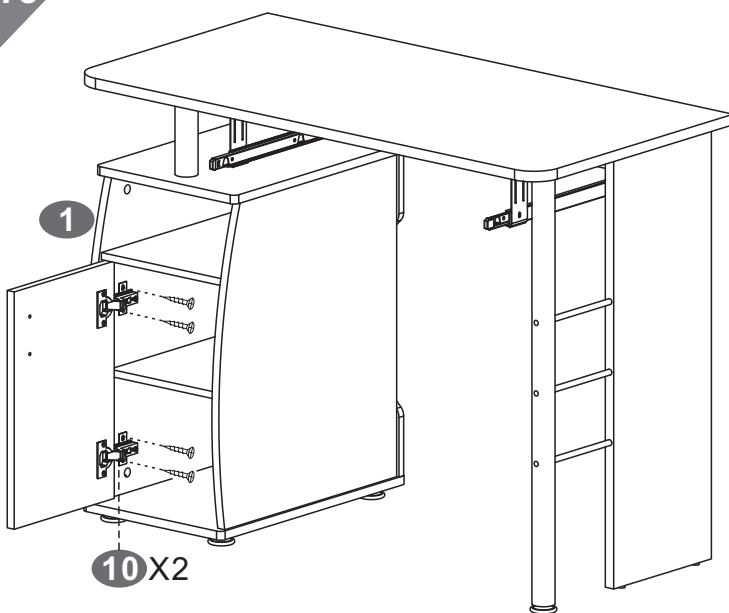


**J** 4X20 MM

x2



15



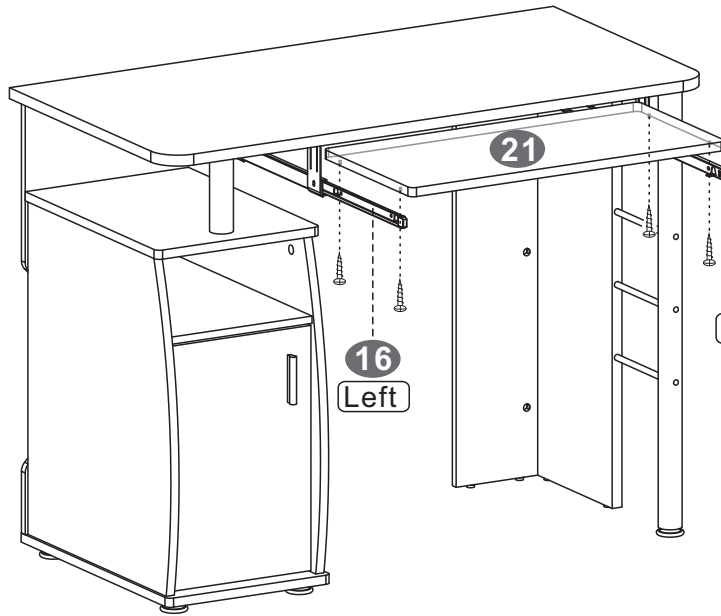
SCREWS

**I** 4X16 MM

x4



16



16  
Left

16  
Right

- SCREWS

**H** 4X14 MM

 x4



17

