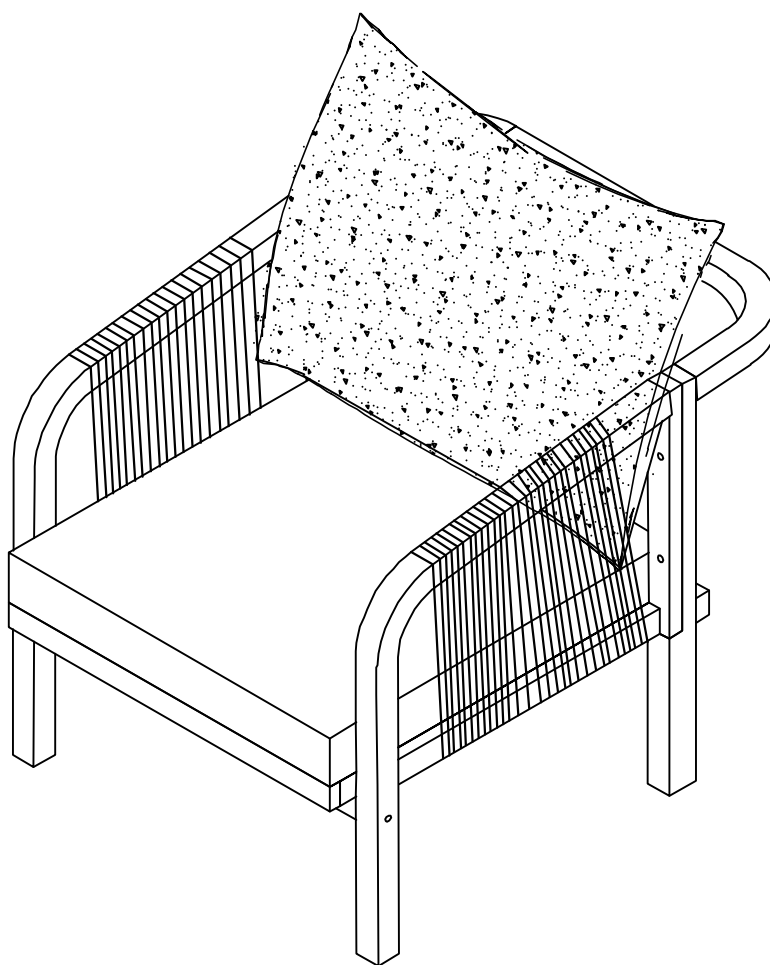


## Instruction Manual

Shiro 68cm Armchair Set of 2, Brushed Light Acacia with Cushions

[www.laura-james.co.uk](http://www.laura-james.co.uk)

1702876.11, 1702878.11



Laura James

[www.laura-james.co.uk](http://www.laura-james.co.uk)

# CONTENTS

---

Safety and care advice	1
Components	2
Assembly instructions	4
Copyright	9



# SAFETY AND CARE ADVICE



PLEASE READ THESE INSTRUCTIONS CAREFULLY AND KEEP FOR FUTURE REFERENCE

- Warning: Please lift with care.
- Check you have all the components and tools listed on pages 2 and 3.
- Remove all fittings from the plastic bags and separate them into their Groups
- Keep children and animals away from the work area, small parts could choke if swallowed.
- Make sure you have enough space to lay out the parts before starting.
- Do not stand or put weight on the product, this could cause damage.
- Assemble the item as close to its final position (in the same room) as possible.
- Assemble on a soft level surface to avoid damaging the unit or your floor (use opened out unit carton).



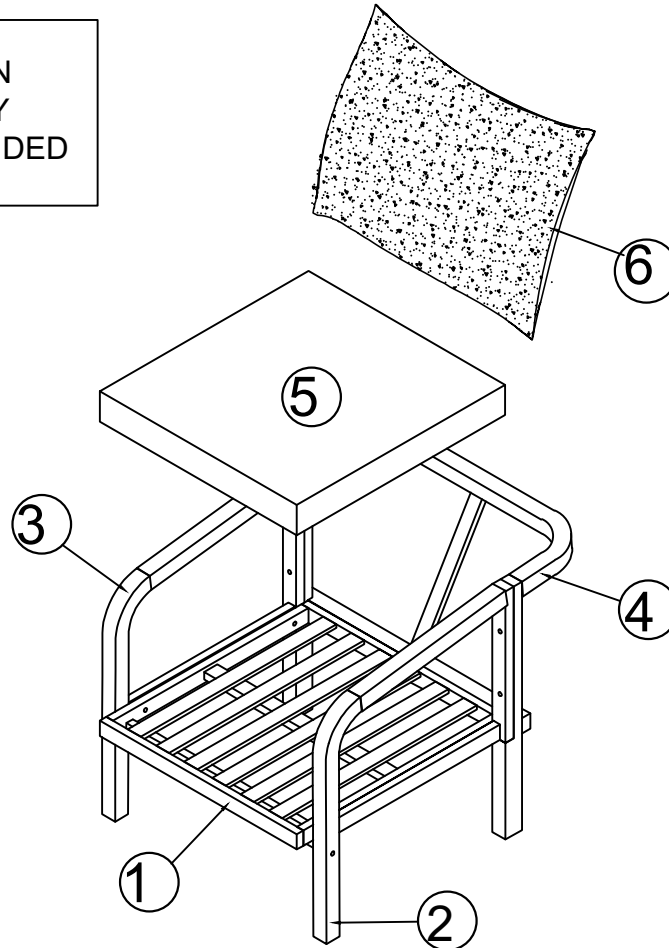
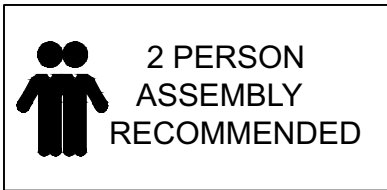
- We do not recommend the use of power drill/drivers for inserting screws, as this could damage the unit. Only use hand screwdrivers.
- Dispose of all packaging carefully and responsibly

## CARE AND MAINTENANCE

- Only clean using a damp cloth and mild detergent, do not use bleach or abrasive cleaners.
- From time to time check that there are no loose screws on this unit.
- This product should not be discarded with household waste. Take to your local authority waste disposal center.
- Note: If required the next page can be cut out and used as reference throughout the assembly. Keep this page with these instructions for future reference.

# COMPONENTS

Please check you have all the panels listed below:

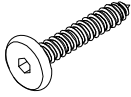


- |              |     |                 |     |
|--------------|-----|-----------------|-----|
| 1. Seat      | x 1 | 4. Backrest     | x 1 |
| 2. Left Leg  | x 1 | 5. Cushion      | x 1 |
| 3. Right Leg | x 1 | 6. Back cushion | x 1 |

# COMPONENTS

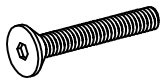
Please check you have all the panels listed below:

A



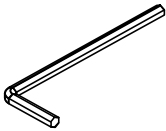
Screw M6x90 (2 pcs) (+1)

B



Bolt M6x40 (10 pcs) (+1)

C



Allen Key (1 pc)



D

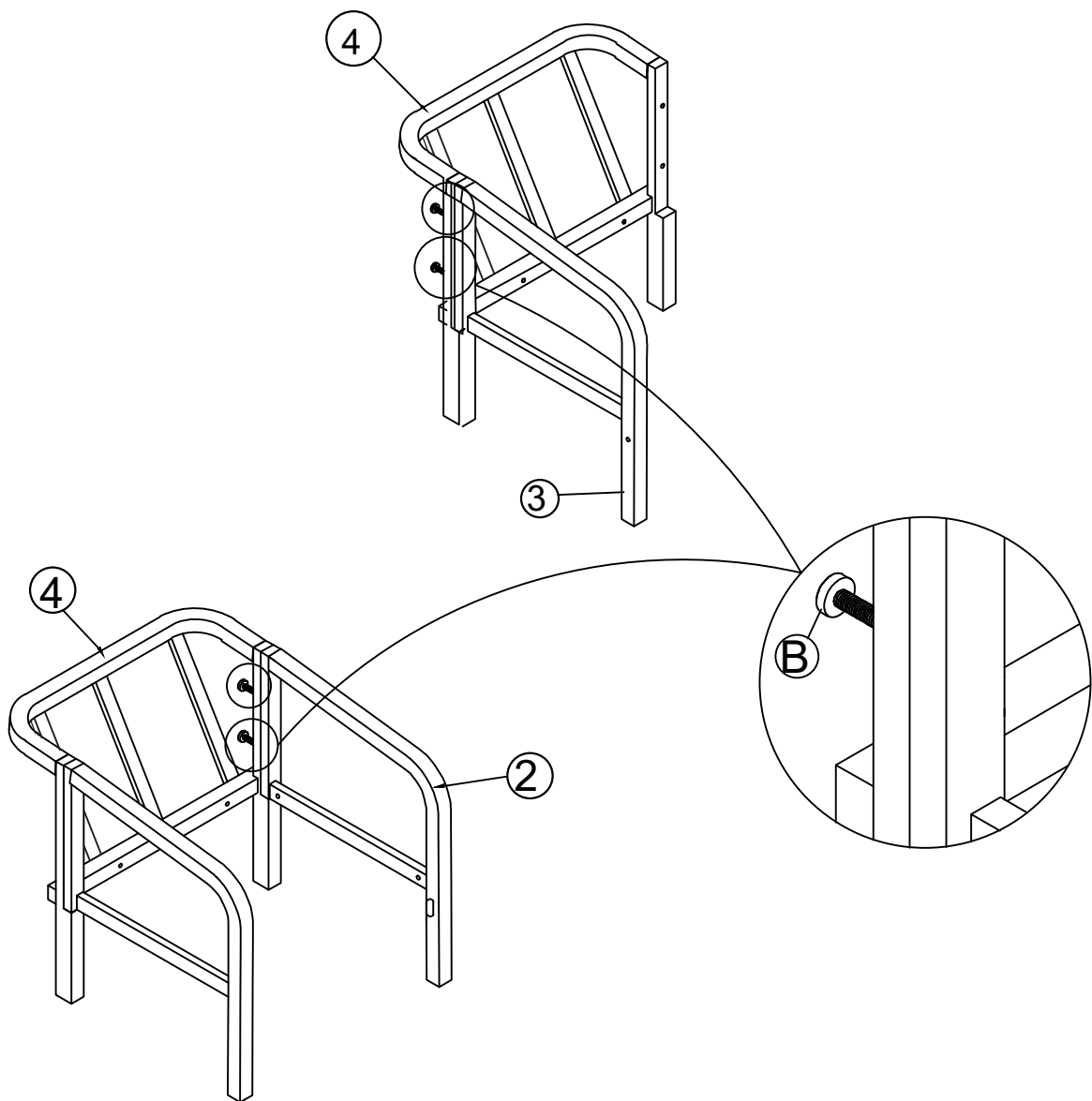
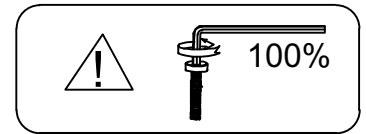


Hole Covers x 2

# ASSEMBLY INSTRUCTIONS

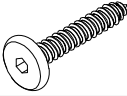
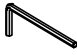
Step 1:

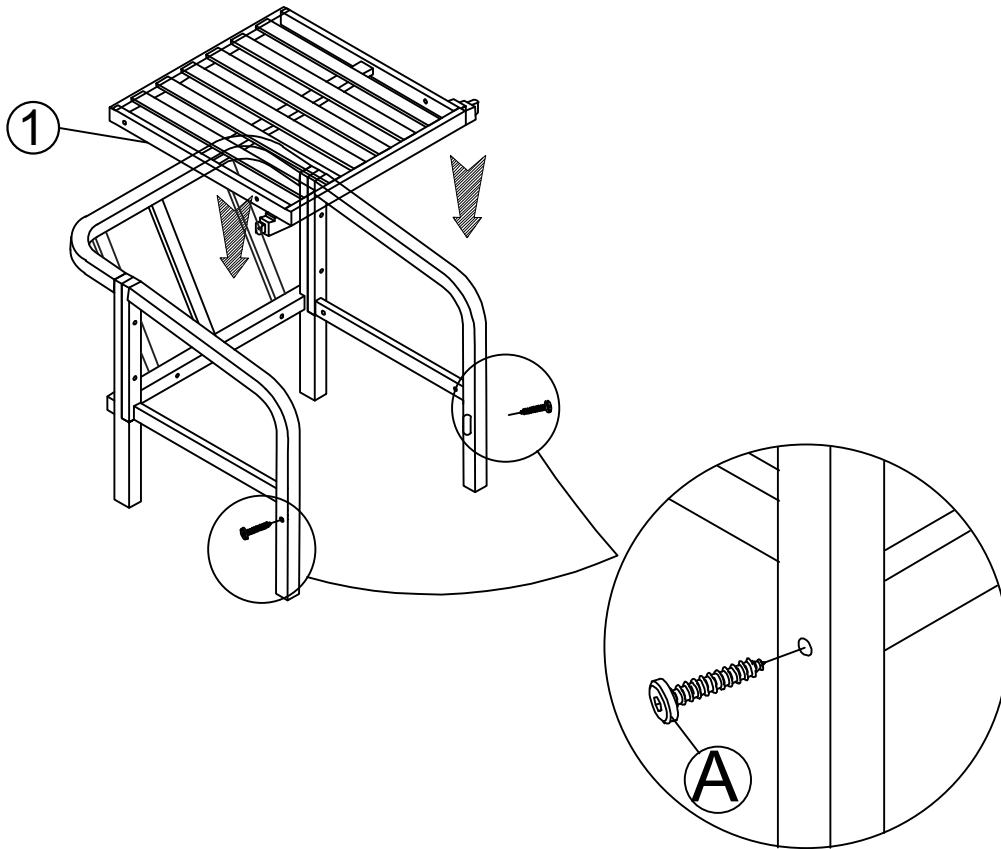
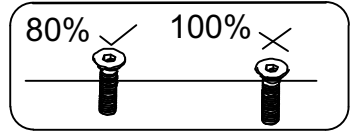
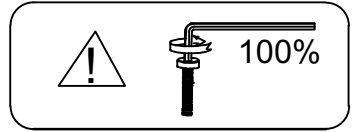
B		4
C		1



# ASSEMBLY INSTRUCTIONS

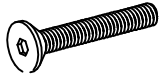

Step 2:

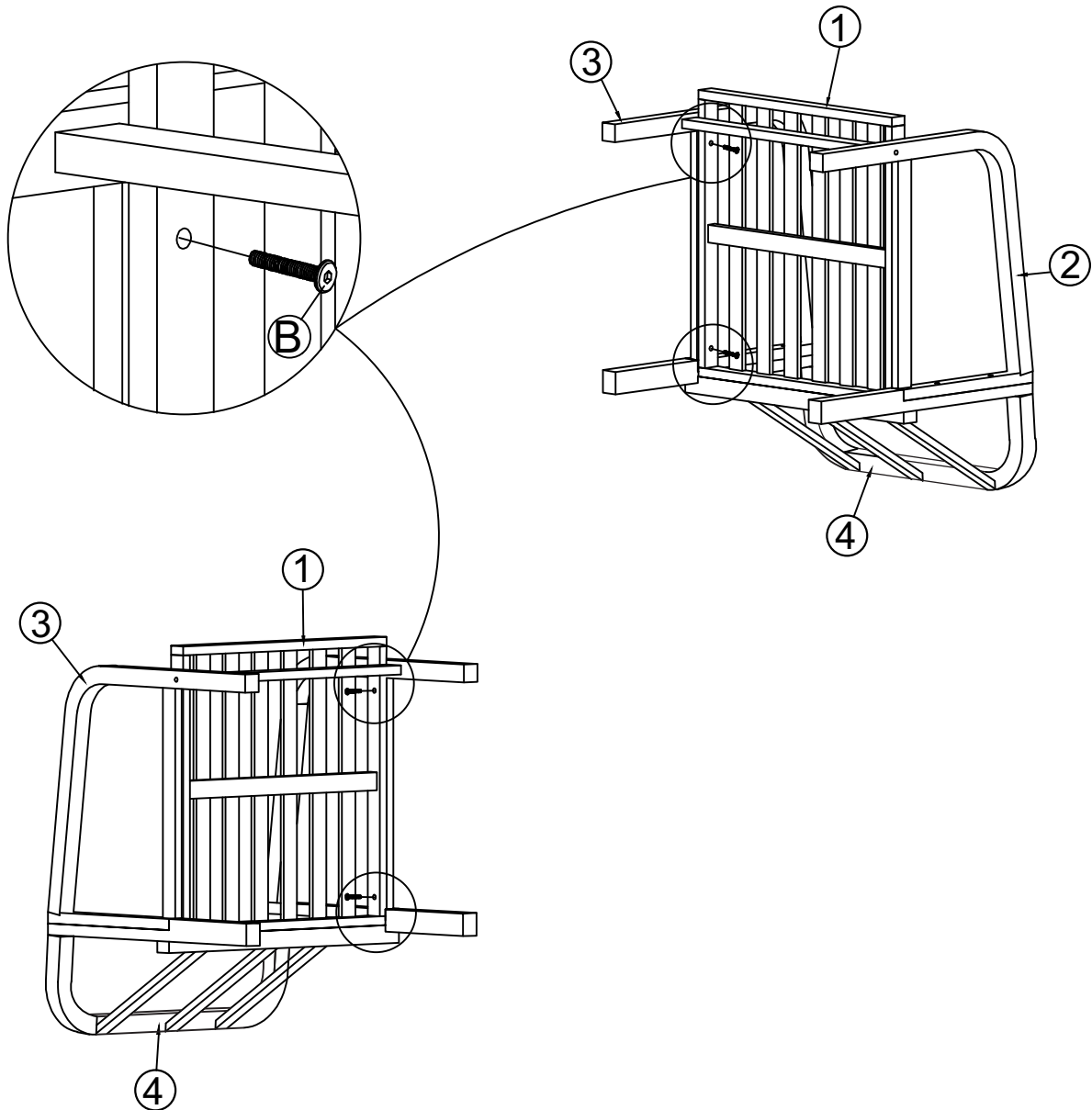
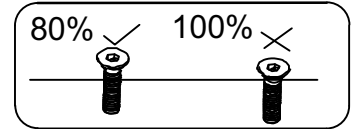
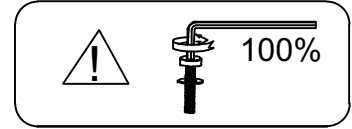
A		2
C		1



# ASSEMBLY INSTRUCTIONS

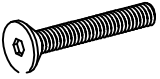

Step 3:

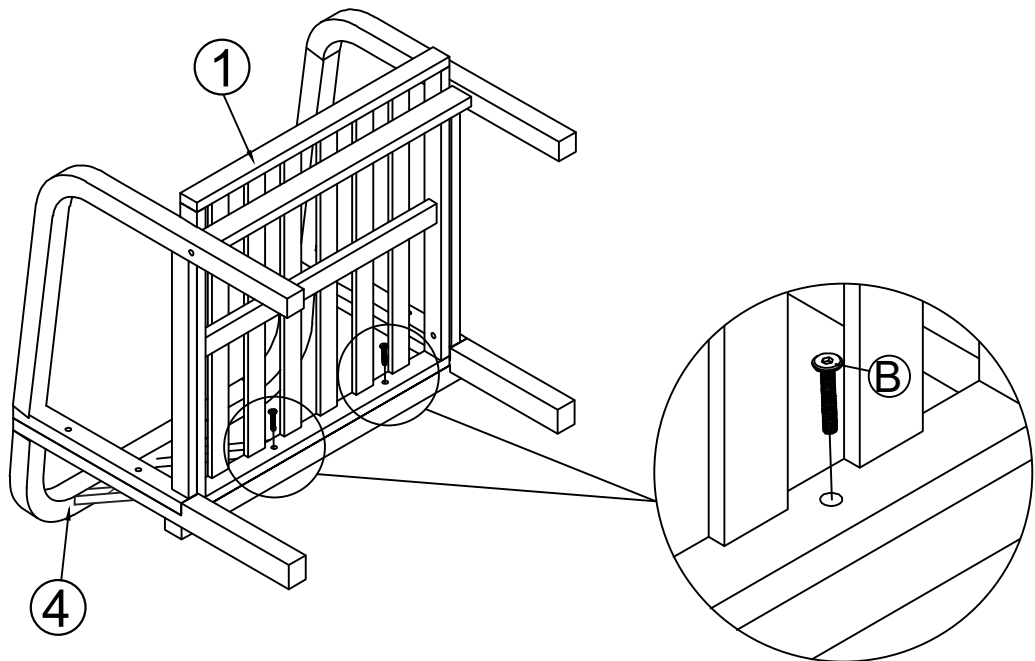
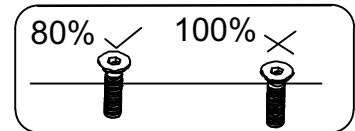
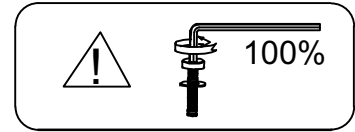
B		4
C		1



# ASSEMBLY INSTRUCTIONS

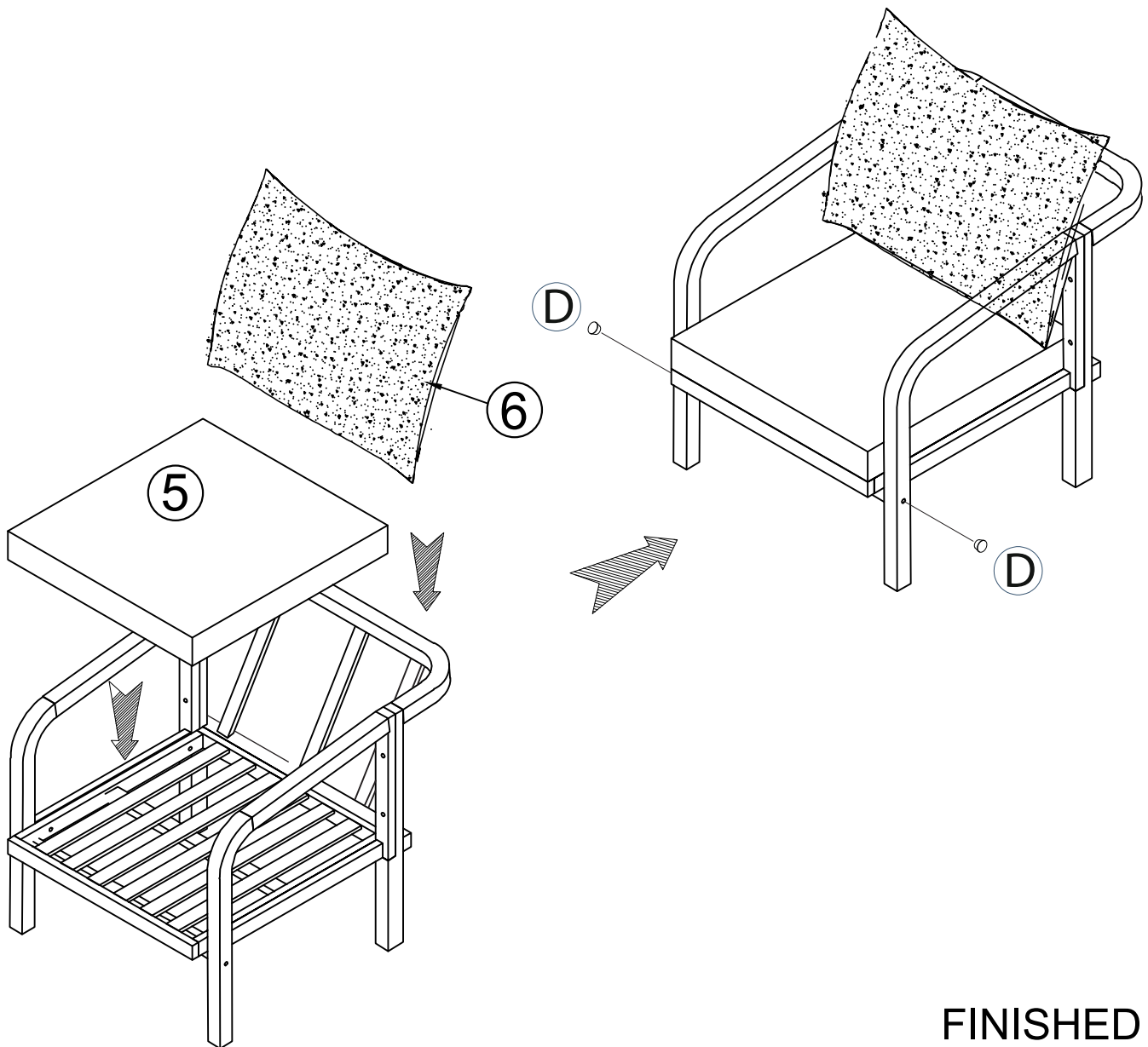
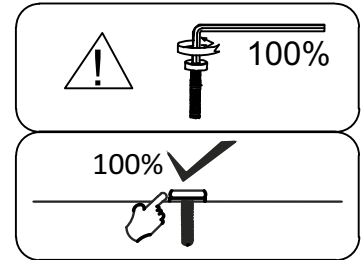
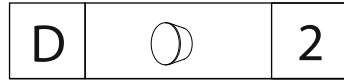
Step 4:

B		2
C		1



# ASSEMBLY INSTRUCTIONS

Step 5:



FINISHED

# IF YOU FIND A DEFECTIVE PART

---

We fully stock all parts and components. Any defective part can be quickly replaced. Take note of the defective part number in manual and we will arrange a quick replacement.

You can email our team at [customercare@laura-james.co.uk](mailto:customercare@laura-james.co.uk)

# COPYRIGHT

---

All material in this instruction manual is copyrighted by AGTC Ltd.

Any unauthorised use may violate worldwide copyright, trademark and other laws.

# ASSEMBLY INSTRUCTIONS

---

Thank you for purchasing!

Laura James® is a registered trademark of AGTC Ltd.  
Made in Vietnam for AGTC LTD S35 9ZX

---

Laura James

[www.laura-james.co.uk](http://www.laura-james.co.uk)