

# ASSEMBLY INSTRUCTION

Thank you for purchasing this quality product. Be sure to check all packing material carefully for small parts which may have come loose inside the carton during shipment. Separate, identify and count all parts and hardware. Compare with the parts list to be sure all parts are present.

**IMPORTANT : PLEASE READ INSTRUCTION BEFORE STARTING THE ASSEMBLY.**

**"DO NOT TIGHTEN SCREWS UNTIL COMPLETELY ASSEMBLED"**

**"DO NOT OVERTIGHT ANY HARDWARE"**

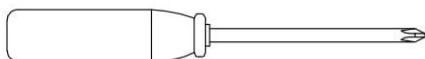
**WARNING : SMALL PARTS AND HARDWARE NOT FOR CHILDREN UNDER 3 YEARS. ADULT ASSEMBLY REQUIRED.**

## TABLE OF CONTENTS

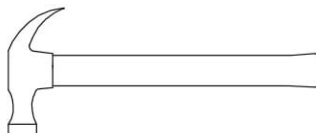
HARDWARES LIST	PAGE 2
PARTS LIST	PAGE 3
PARTS' LOCATION	PAGE 4
ASSEMBLY STEPS	PAGE 5 - 10
ASSEMBLY COMPLETED	PAGE 10

## ASSEMBLY TOOLS REQUIRED

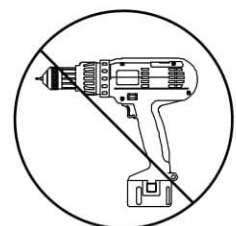
**1. Screwdriver (not provide)**



**2. Hammer (not provide)**






Skip the power trip this time.



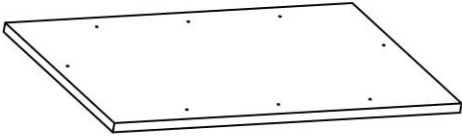
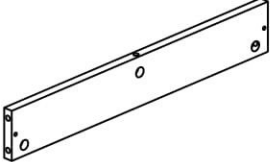
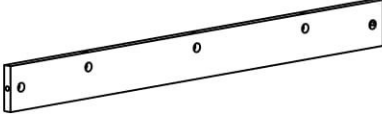
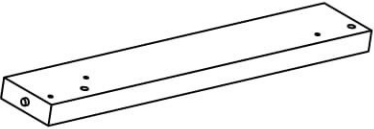
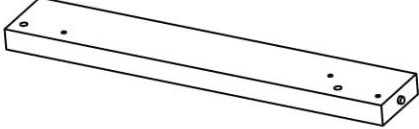
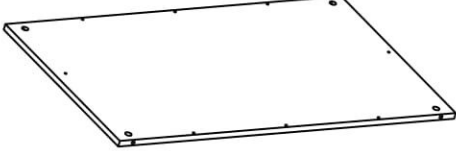
# ASSEMBLY INSTRUCTION

## HARDWARES LIST

ITEM	DESCRIPTION	DRAWING	QTY
A	MINIFIX CAM LOCK	 A technical drawing of a Minifix cam lock, showing a cylindrical body with a keyhole on one side and a cam mechanism on the other.	36 PCS
B	MINIFIX CAM BOLT	 A technical drawing of a Minifix cam bolt, showing a long cylindrical bolt with a hexagonal head and a threaded section.	36 PCS
C	WOOD DOWEL (M8 x 25MM)	 A technical drawing of a wood dowel, showing a cylindrical piece of wood with a slightly tapered end.	8 PCS

# ASSEMBLY INSTRUCTION

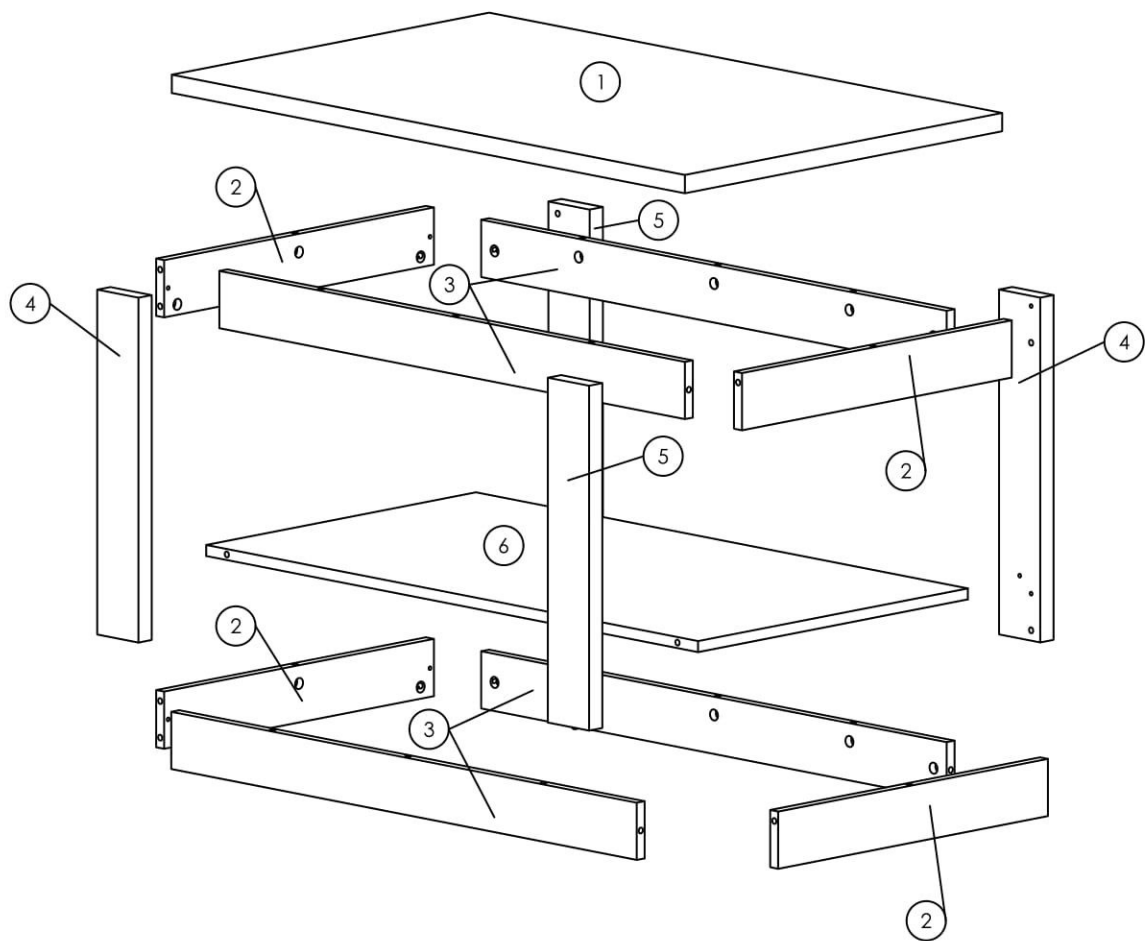
## PARTS LIST

ITEM	DESCRIPTION	DRAWING	QTY
1	TOP PANEL		1 PC
2	SIDE SUPPORT RAIL - SHORT		4 PCS
3	SIDE SUPPORT RAIL - LONG		4 PCS
4	LEG (i)		2 PCS
5	LEG (ii)		2 PCS
6	BOTTOM PANEL		1 PC

# ASSEMBLY INSTRUCTION

## PARTS ' LOCATION

COFFEE TABLE x 1 PC

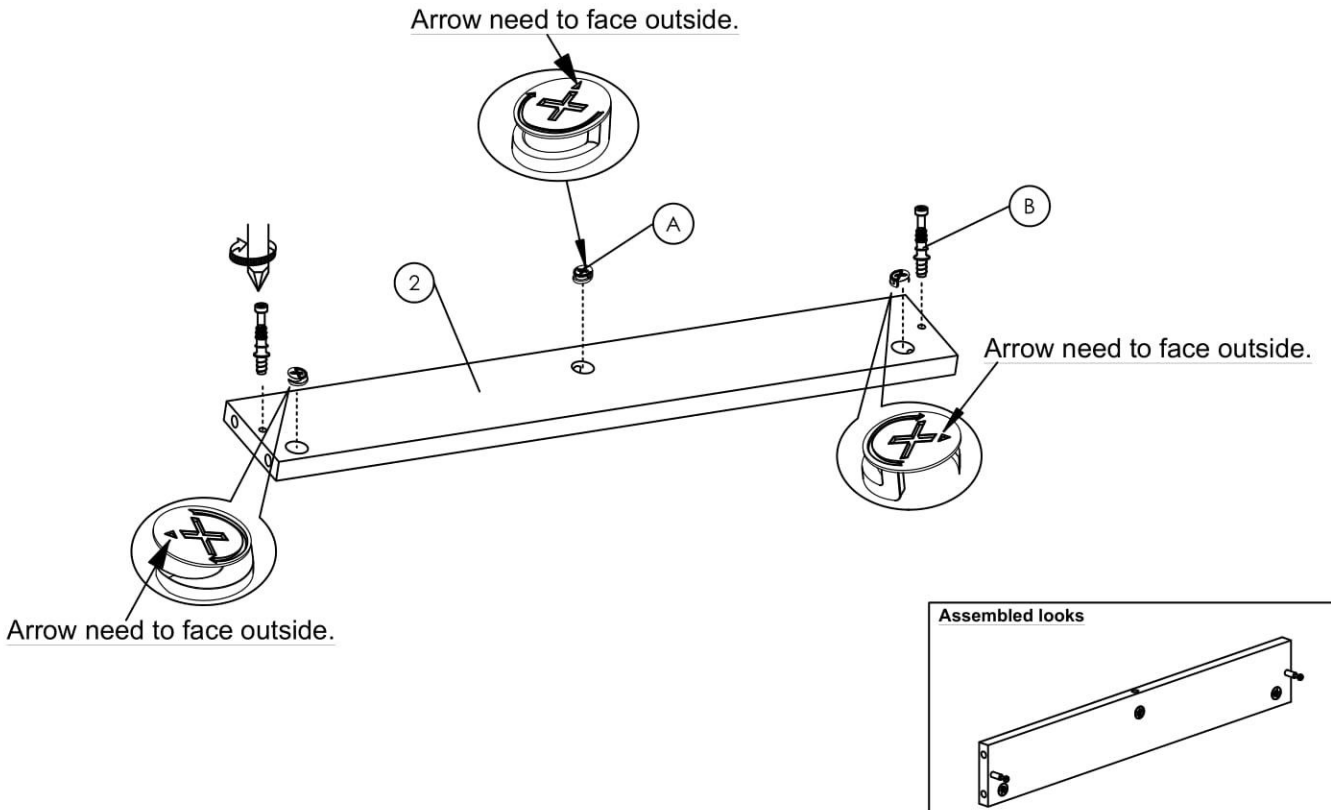


# ASSEMBLY INSTRUCTION

## ASSEMBLY STEPS

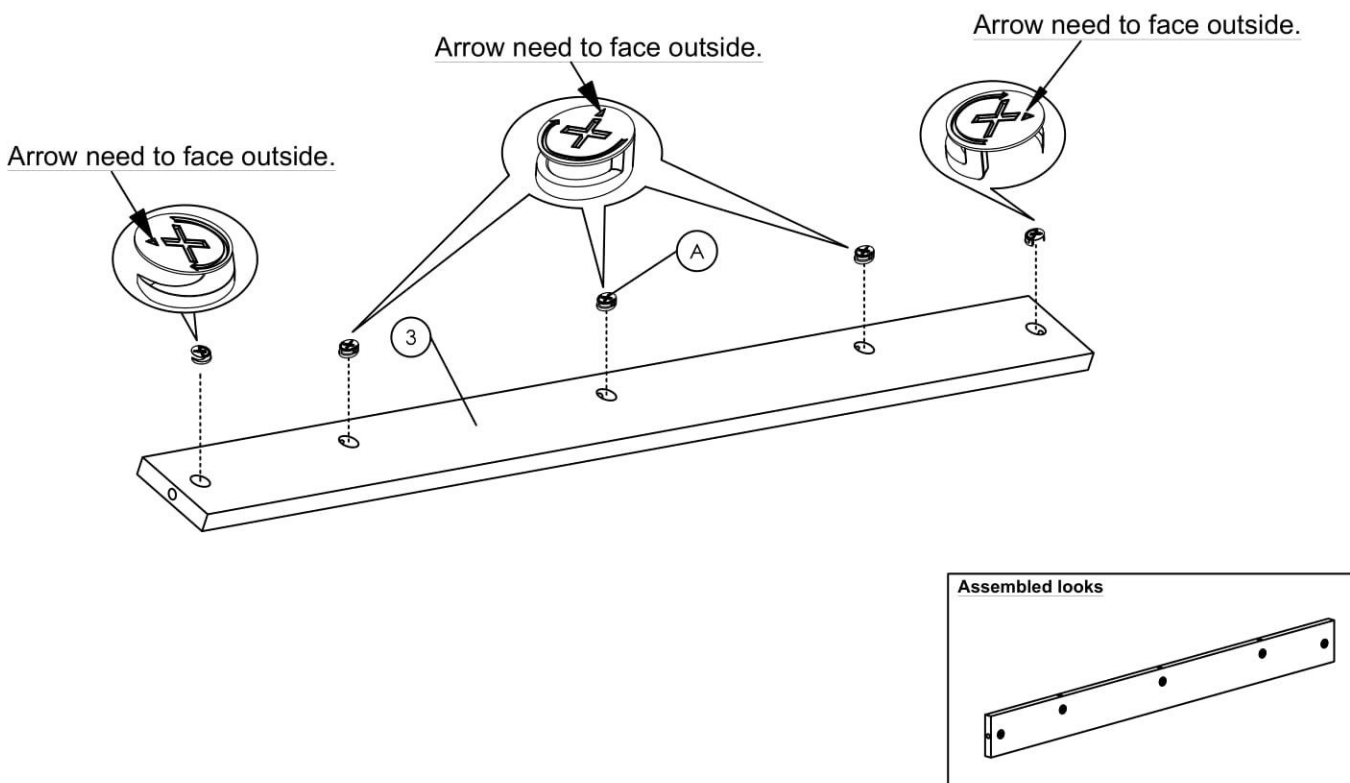
### STEP 1

Insert 3 pieces (A), and 2 pieces (B) to the (2) as shown. This step needs to be **done four times**.



### STEP 2

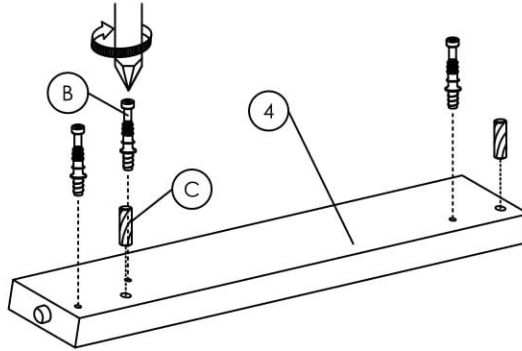
Insert 5 pieces (A) to the (3) as shown. This step needs to be **done four times**.



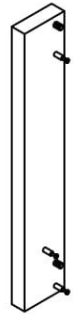
# ASSEMBLY INSTRUCTION

## STEP 3

Insert 3 pieces (B) and 2 pieces (C) to the (4) as shown. This step needs to be **done twice**.

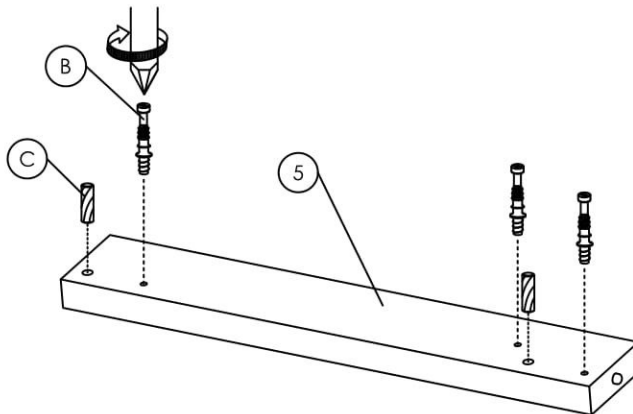


Assembled looks



## STEP 4

Insert 3 pieces (B) and 2 pieces (C) to the (5) as shown. This step needs to be **done twice**.



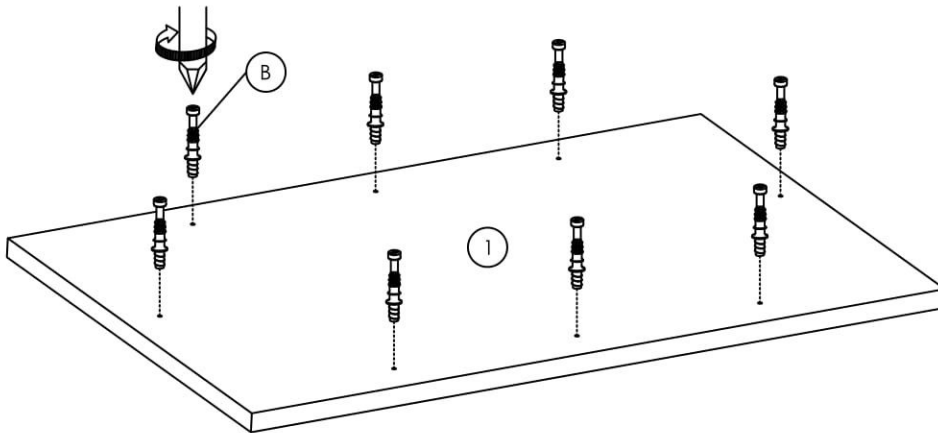
Assembled looks



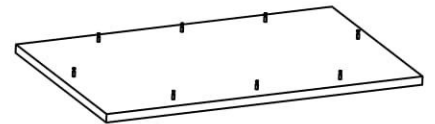
# ASSEMBLY INSTRUCTION

## STEP 5

Insert 8 pieces (B) and to the (1) as shown.

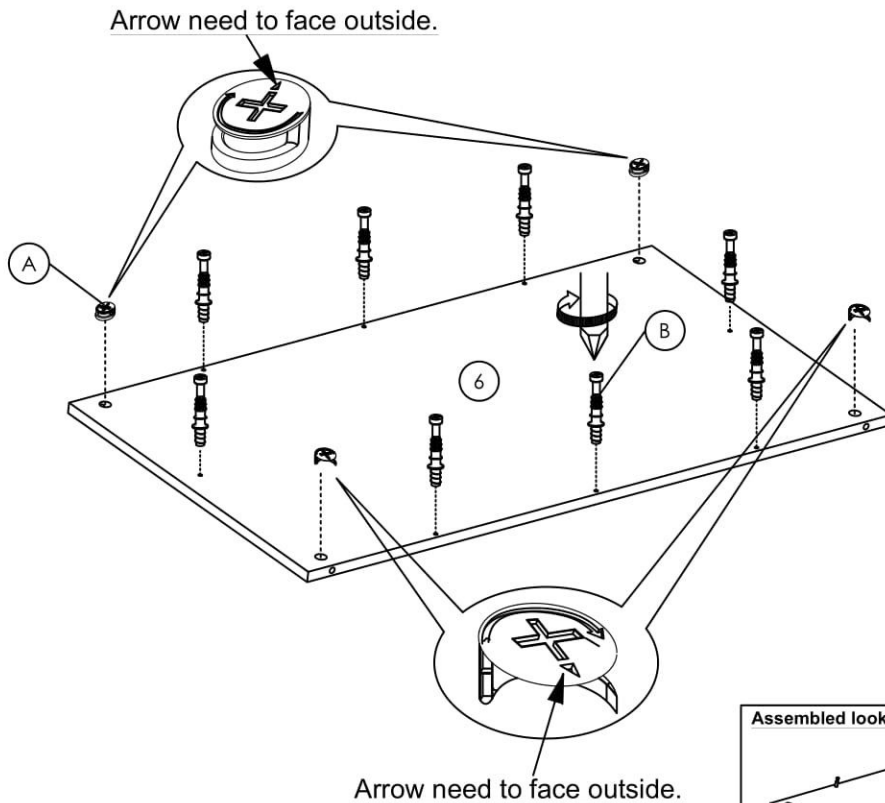


Assembled looks

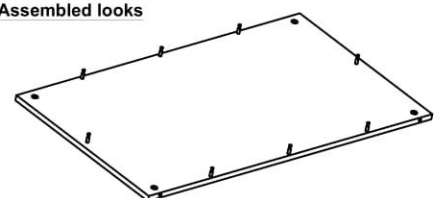


## STEP 6

Insert 4 pieces (A) and 8 pieces (B) to the (6) as shown.



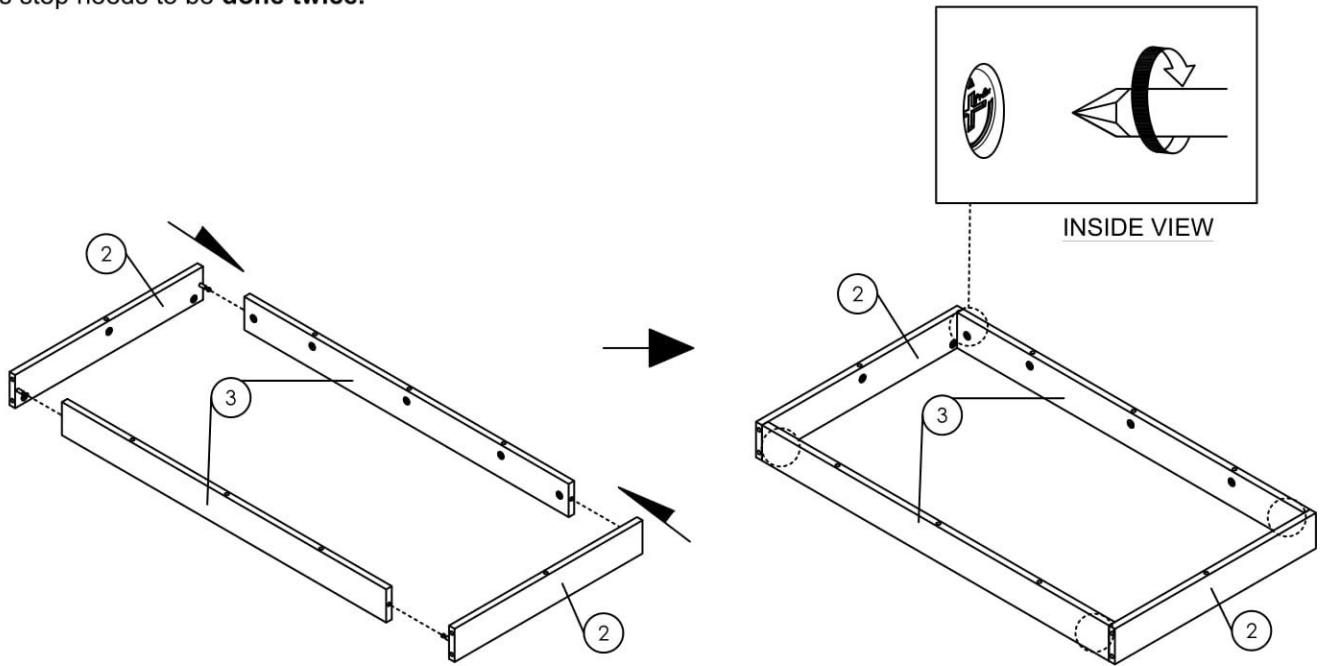
Assembled looks



# ASSEMBLY INSTRUCTION

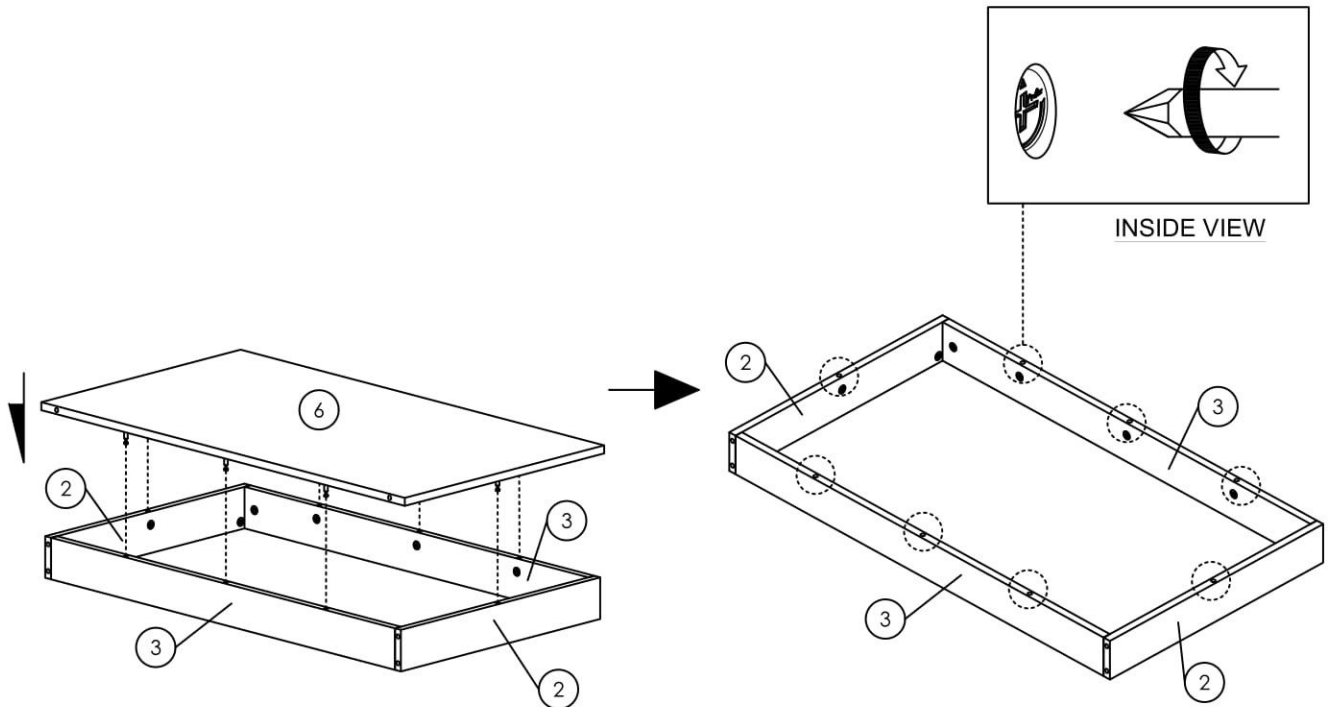
## STEP 7

Combine the (2) to the (3) then tighten the 4 pieces (A)-(pre insert in step 2) as shown.  
This step needs to be **done twice**.



## STEP 8

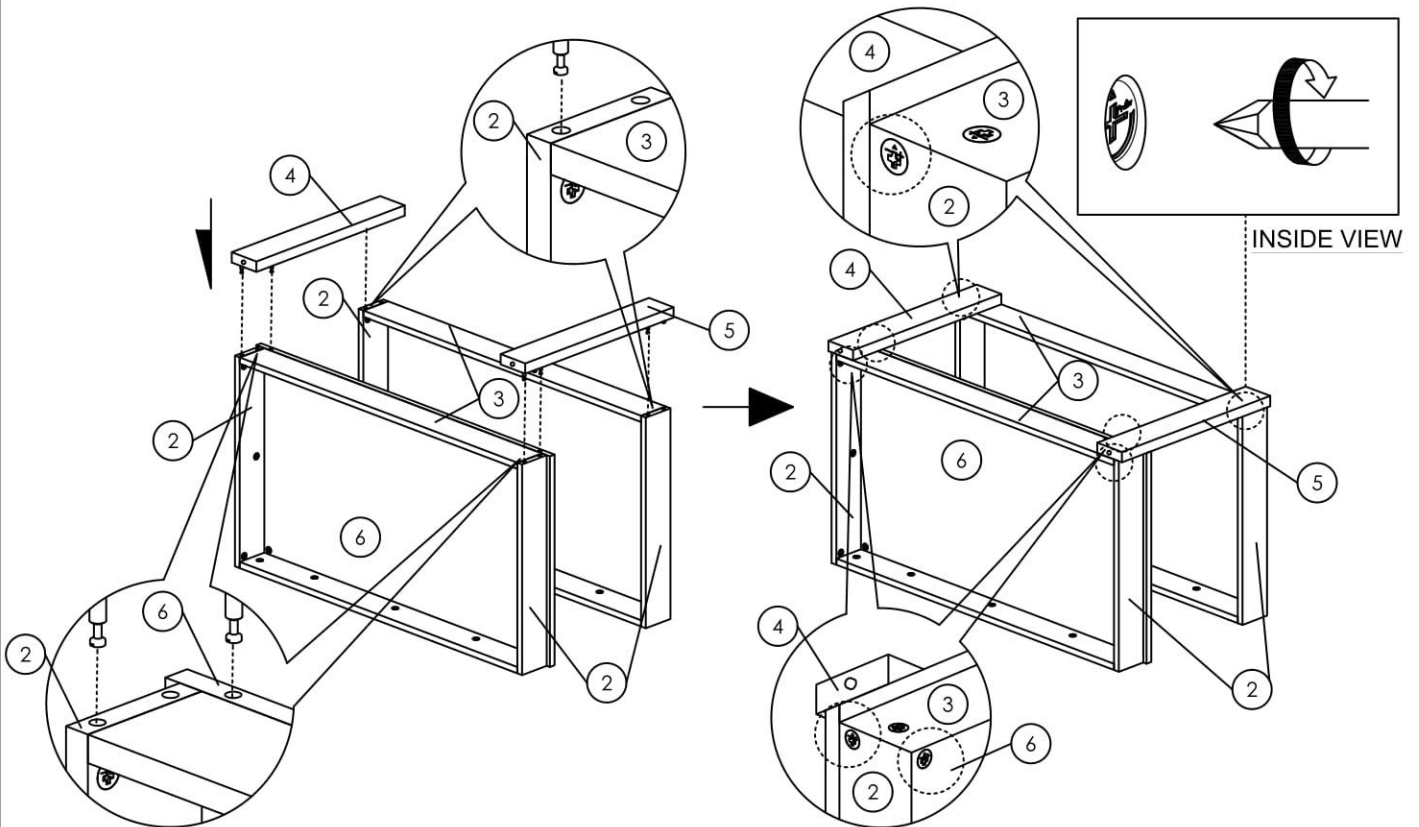
Combine the (6) to the (2),(3) then tighten the 8 pieces (A)-(pre insert in step 1,2) as shown.



# ASSEMBLY INSTRUCTION

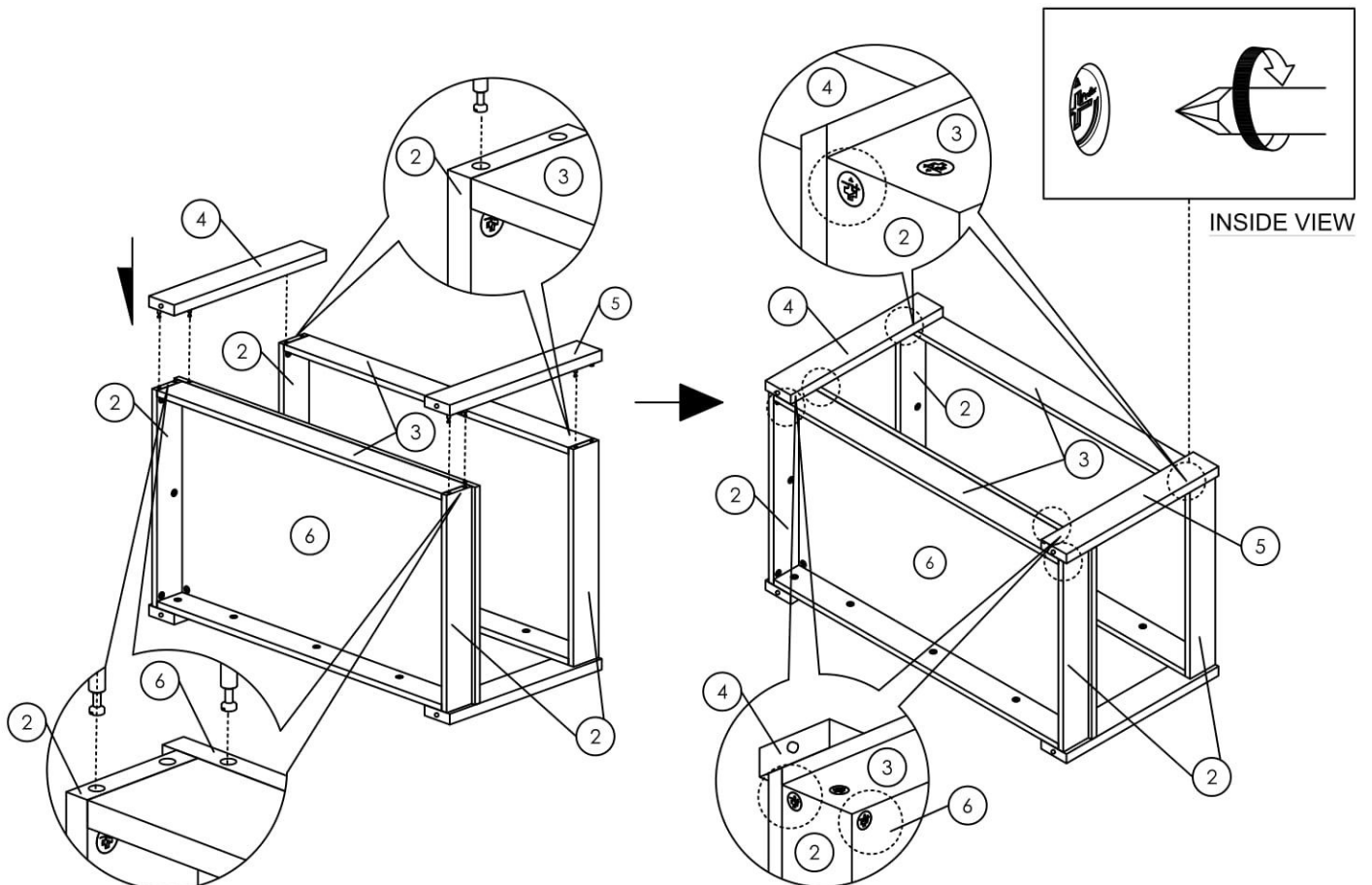
## STEP 9

Combine the (4),(5) to the (2),(6) then tighten the 6 pieces (A)-(pre insert in step 1, 6) as shown.



## STEP 10

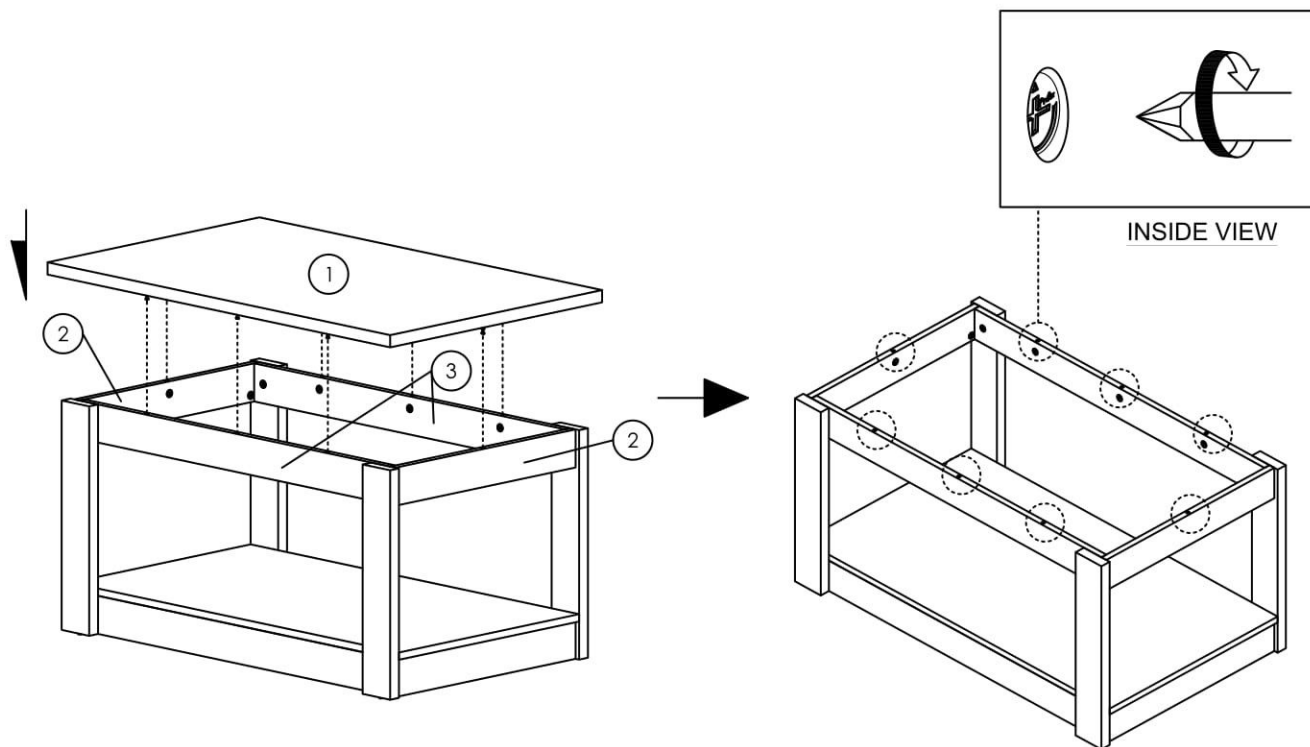
Turn another side ,then combine the (4),(5) to the (2),(6) then tighten the 6 pieces (A)-(pre insert in step 1, 6) as shown.



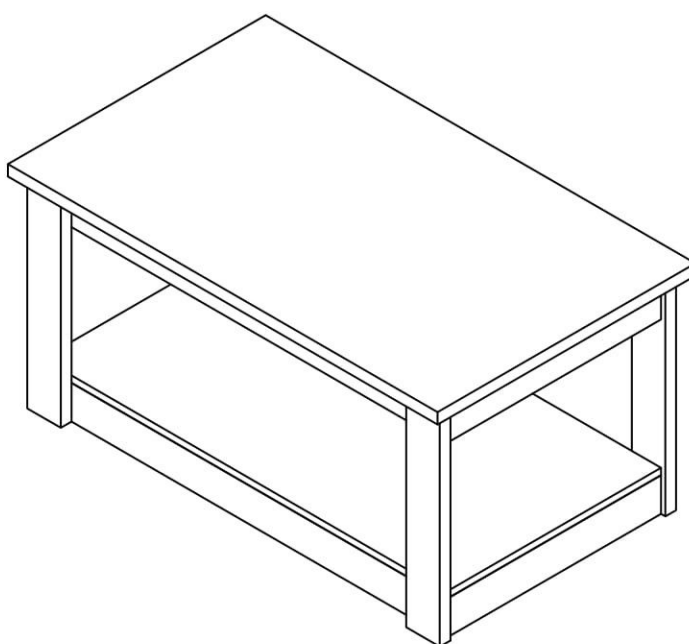
# ASSEMBLY INSTRUCTION

## STEP 11

Combine the (1) to the (2),(3) then tighten the 8 pieces (A)-(pre insert in step 1, 6) as shown.



## STEP 12



**ASSEMBLY COMPLETED**