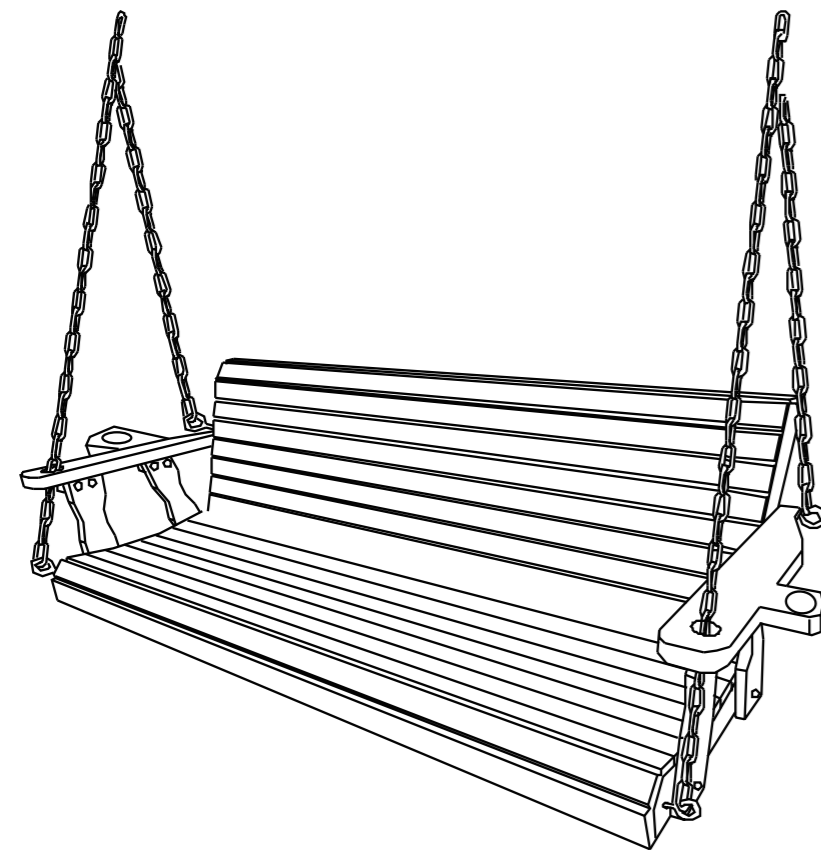


Finnhomy®

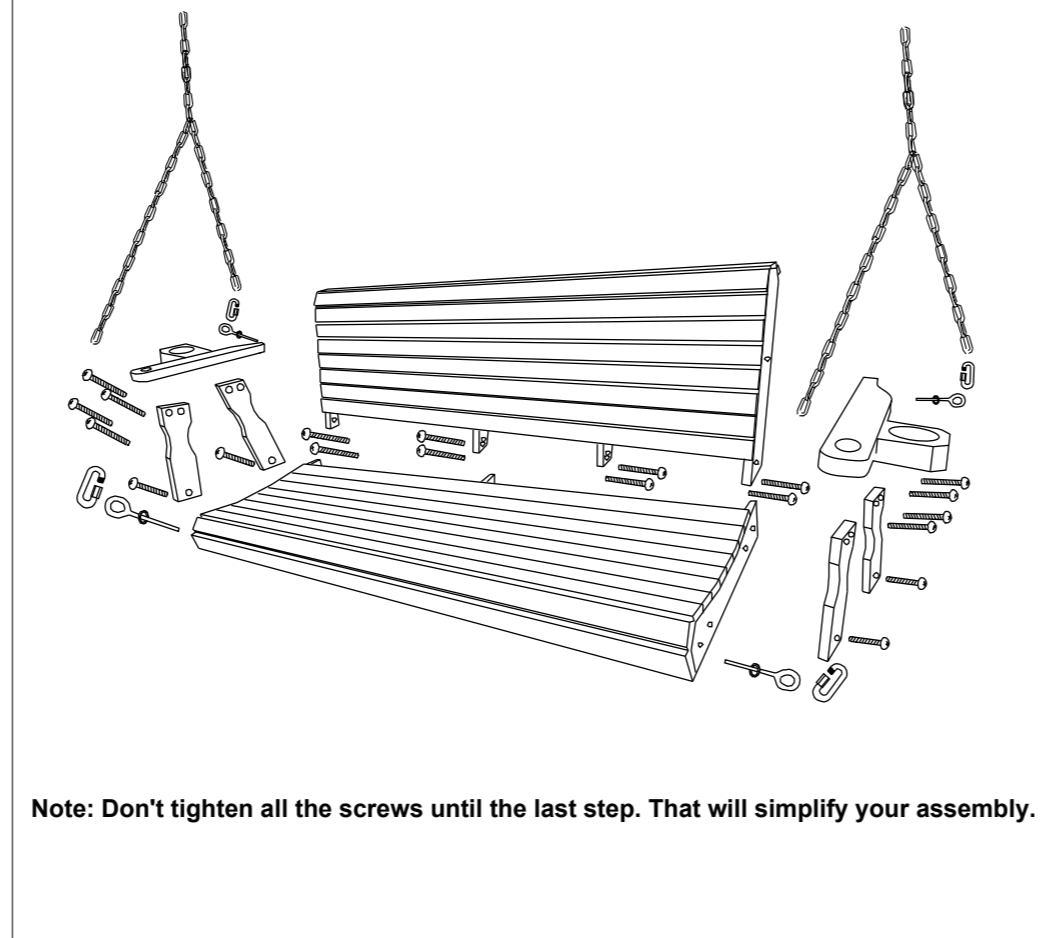
service@finnhomy.com



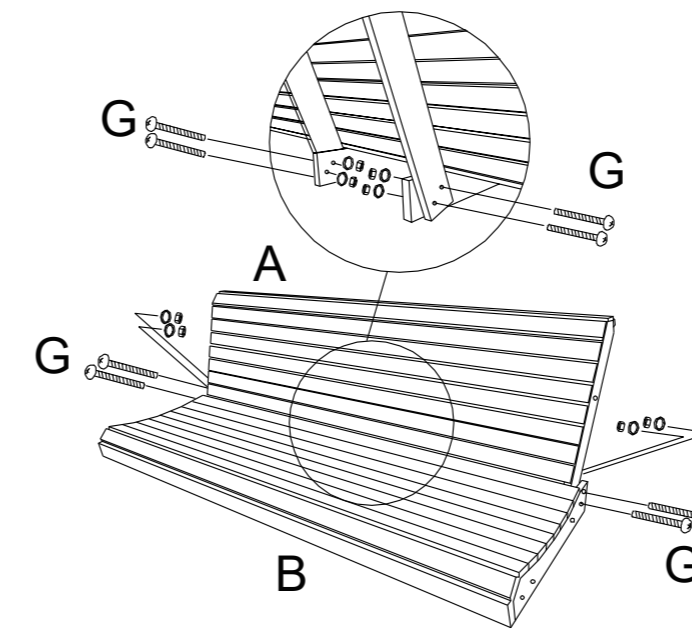
MODEL: F20SFPS7521

Part list

A (1 PC)	B (1 PC)	C (2 PCS)	D (2 PCS)
E (1 PC)	F (1 PC)	G (20 SETS)	H (4 SETS)
I (2 SETS)		TOOLS INCLUDED	



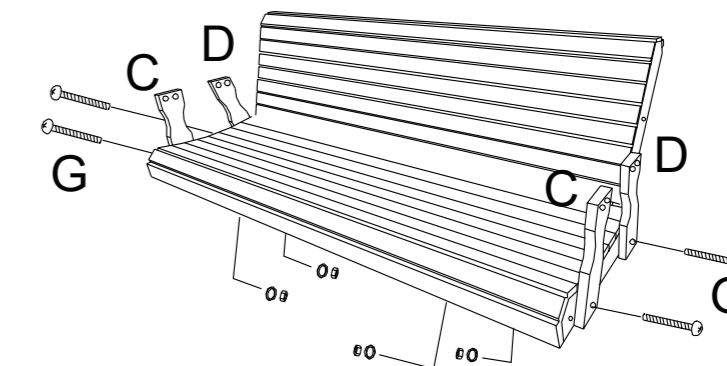
1



A=1 pc
B=1 pc
G=8 sets

1. Note: Part A can be moved back and forth in a small amount to make the screw pass through the two holes smoothly.

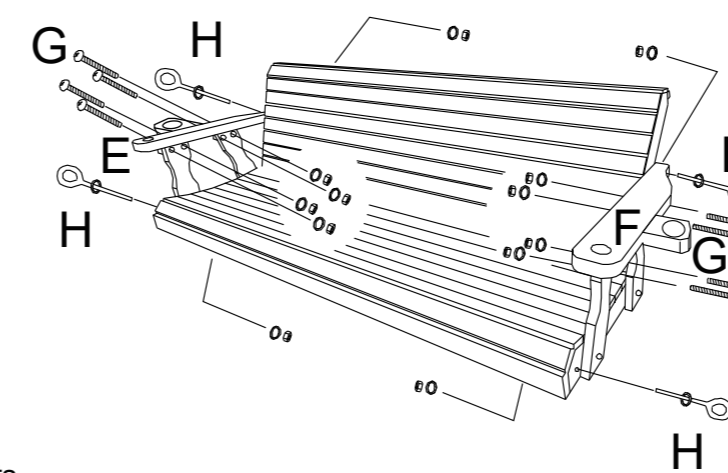
2



C=2 pcs
D=2 pcs
G=4 sets

2. Note: Please distinguish between Part C and D.

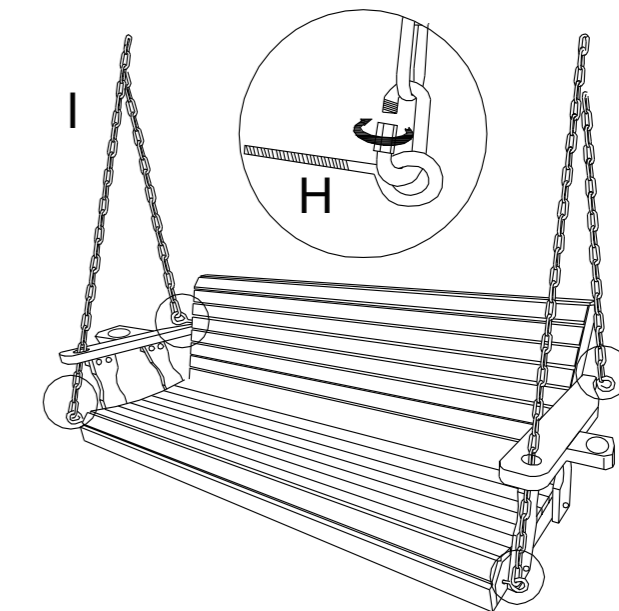
3



E=1 pc
F=1 pc
G=8 sets
H=4 sets

3. Note: Part H, the eyebolt, has two metal washers, one on the inside and one on the outside.

4



I=2 sets

4. Note: Please use the tools provided to tighten all the screws to make the swing stable and have the maximum load-bearing capacity.

正反两面 A3打印