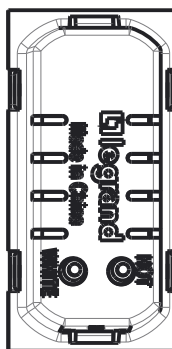
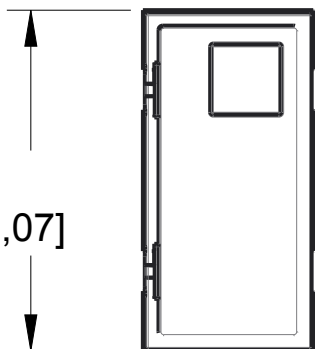
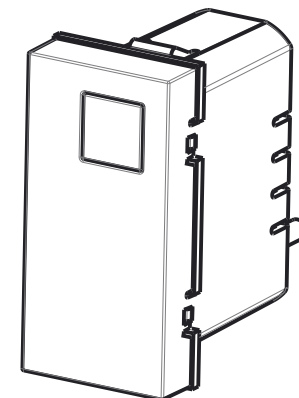
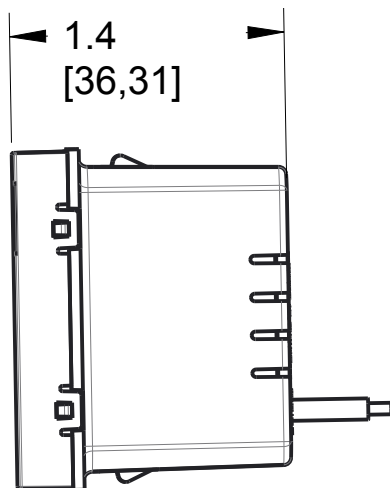
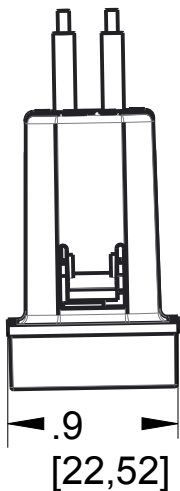


2

1

REV	EC.NO.	DATE	DESCRIPTION	DFTR	CK.
A			INITIAL RELEASE		



B

B

A

A

Size Face: 2x1 Module
 Size Backbody: 2x1 Module
 3rd Party Compliance: cETLus LISTED
 Ratings: 120 VAC
 Termination: Wire Leads Only
 Misc: Copper Wire Only
 For Use With adorne System Only

AANLM14, adorne Nightlight 1-Module

MATERIAL	SEE NOTE	UNSPECIFIED TOL. FRAC. $\pm 1/64$ ANGLES ± 1.0 DEC. 0.0 ± 0.02 $.00 \pm 0.01$ $.000 \pm 0.001$	 		
FINISH	SEE NOTE				
DSGN BY:	6/11/2015		MODEL NAME:	AANLM14	
DR BY:		SHT 1 of 1	PROJ.	DWG NO.:	REV.:
CK BY:		SCALE:		CD1186	A

NOTICE: Proprietary and confidential information of Pass & Seymour/Legrand
 Reproduction or disclosure prohibited under penalty of law.

2

1