



8 x 16 FT
Aluminium PC Greenhouse
W94"x D188"x H94.5"

ASSEMBLY INSTRUCTION

IMPORTANT!

Please read all instructions carefully before assembly.

It is best to familiarize yourself with the parts and collate the appropriate parts for each step.

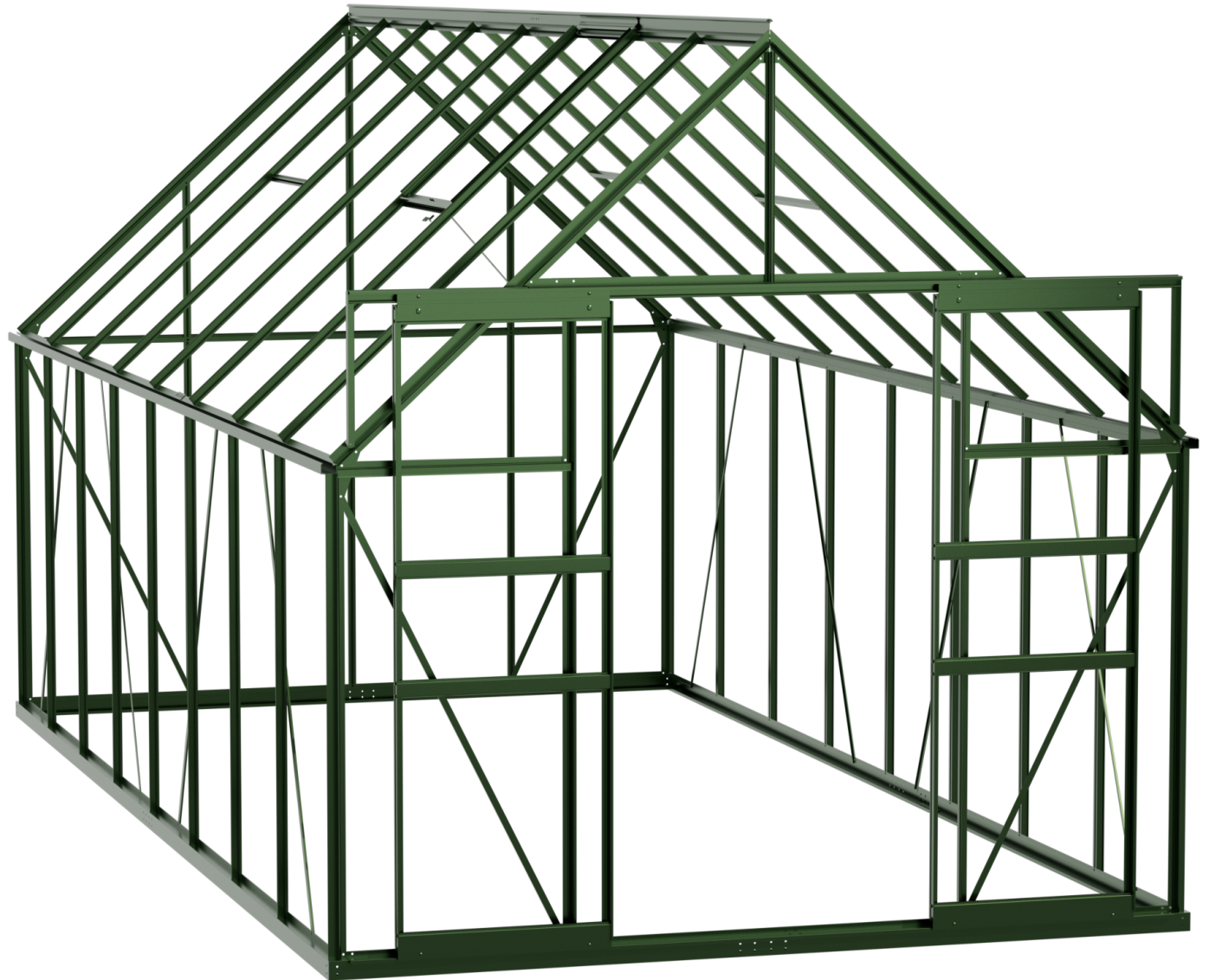
CHERY INDUSTRIAL

www.cheryindustrial.com

888-589-8148

61 commercial Ave Garden City NY 11530

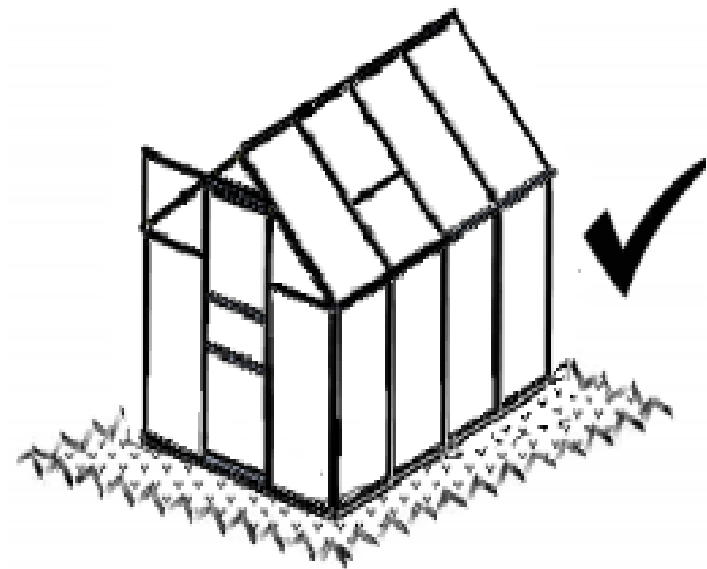
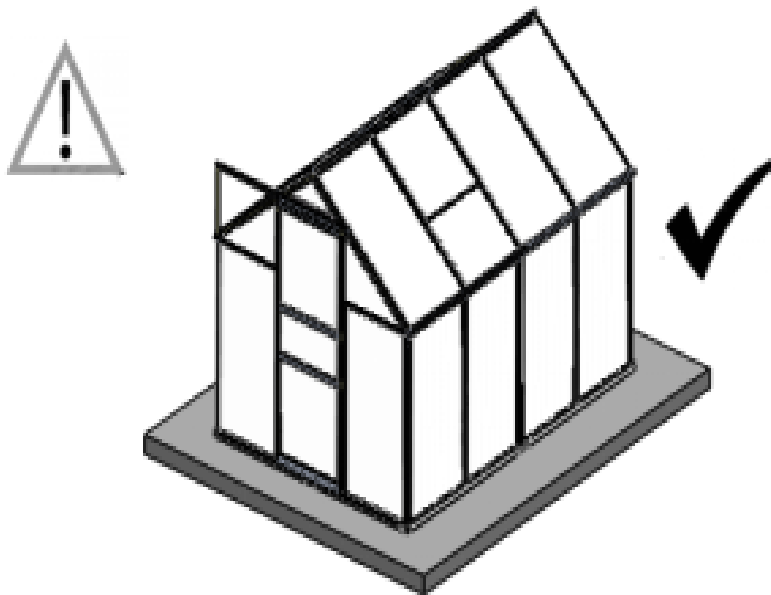
service@cheryindustrial.com

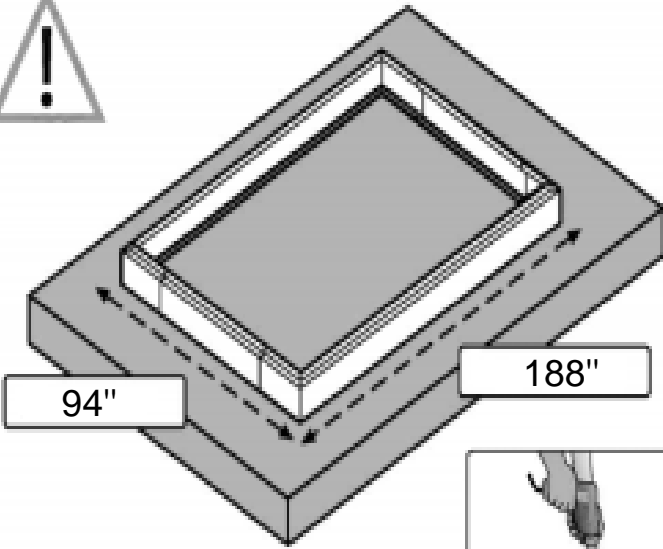


PLATFORM

Site Selection

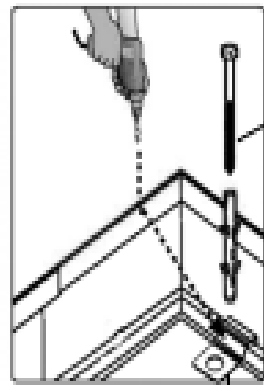
Avoid overhanging trees as much as possible as leaves will make regular cleaning necessary and broken branches are a potential hazard. Small trees, bushes or fences nearby can be helpful, acting as a wind break.





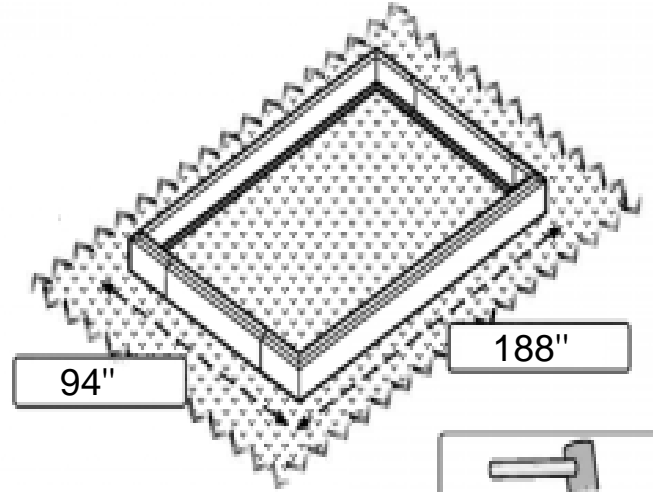
94"

188"



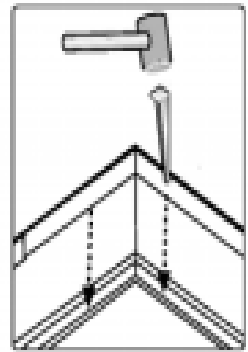
D8(4X)

CBJ14(4X)



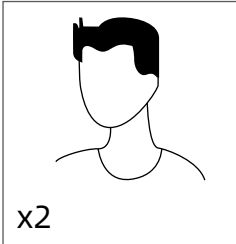
94"

188"

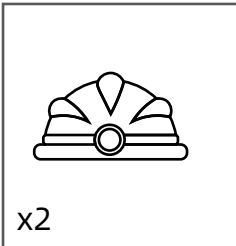


TOOL&EQUIPMENT

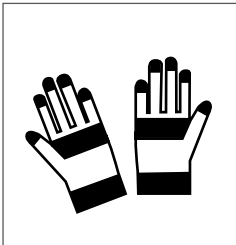
Protective Equipment



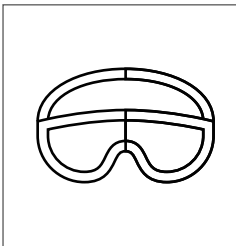
2 people needed



Safety Helmet

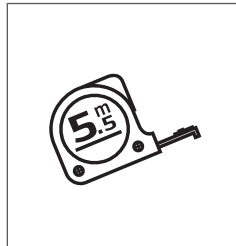


Gloves

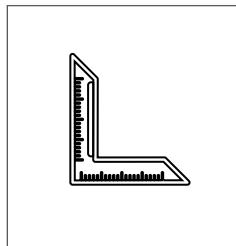


Goggles

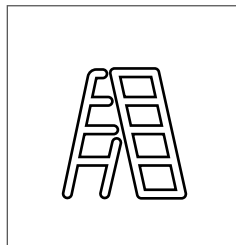
Measuring Tools & Installation Equipment



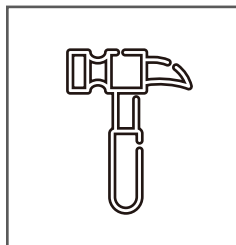
Tape Measure



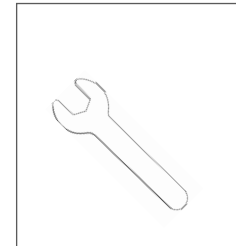
Angle Rule



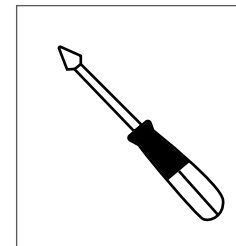
Triangular Ladder



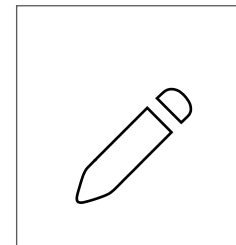
Mallet



SpannerC10



Cross Screwdriver



Marking Pen

BEFORE ASSEMBLY

1. Selecting a site.

The product must be positioned and fixed on a flat level surface.
Choose a sunny position away from overhanging trees.

2. We strongly recommend this product to be secured directly to a solid foundation.

3. This a multi-part assembly best achieved by two people. Allow at least half day for the assembly process.

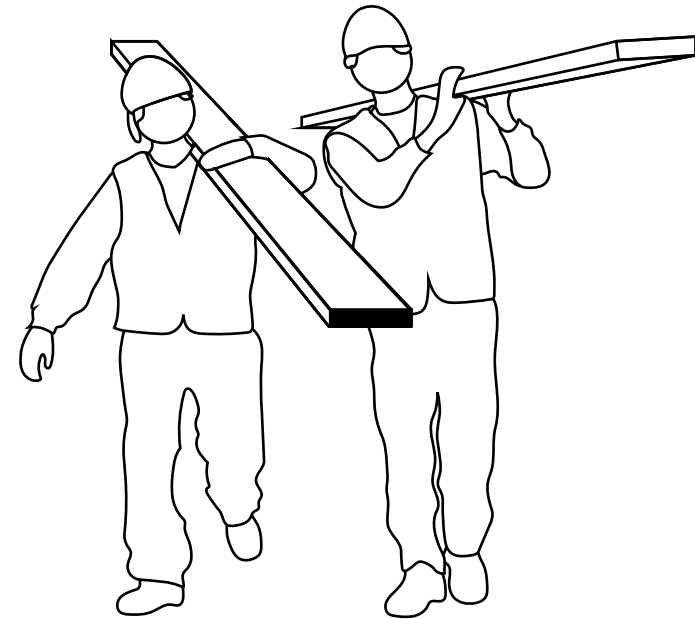
4. Take all components & parts out of the packages. Sort the parts and check against the content parts list.

5. Parts should be laid out close at hand. Keep all small parts(screws etc.) in a bowl so they do not get lost

6. Please note multi-sided profiles are used in this As a result some holes in the profiles are not used during assembly.

7. Please review entire instructions before starting. Carry out the assembly steps in exact order.

8. Please consult your local authorities if any permits are required prior to constructing the product.

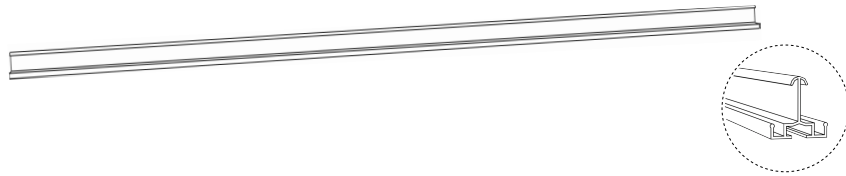


Contents

code

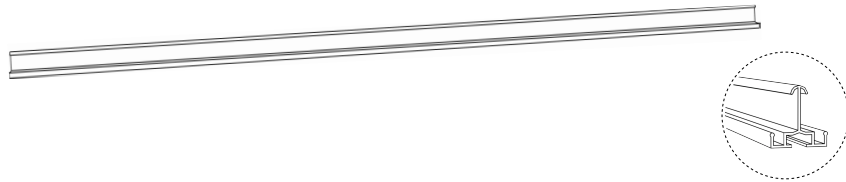
Qty

3A1



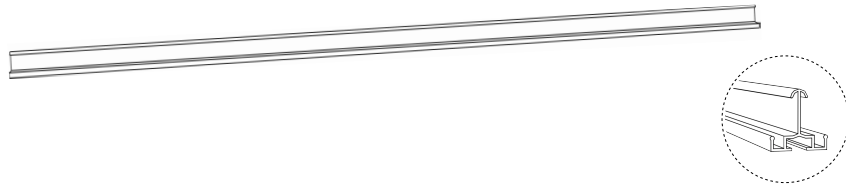
1

3A2



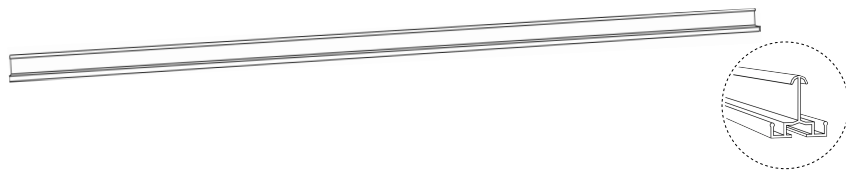
14

3A3



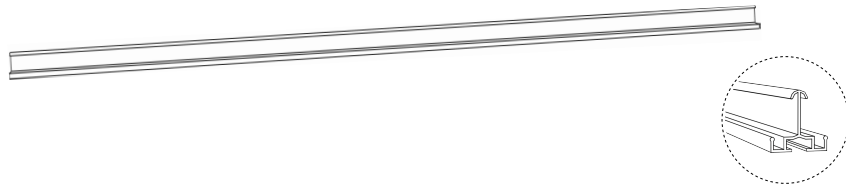
14

3A4-1



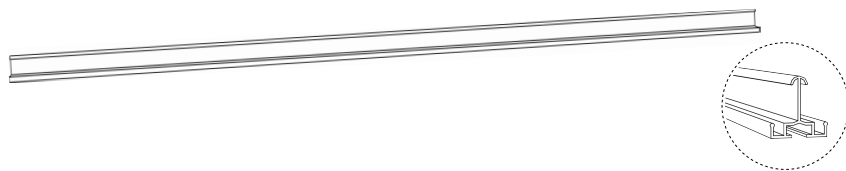
1

3A4-2



1

3A5

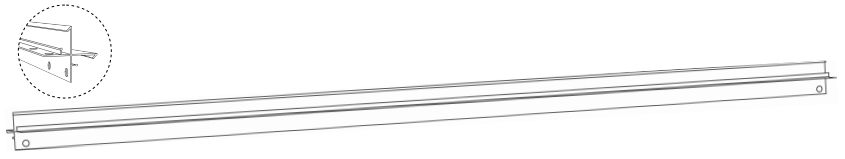


1

code

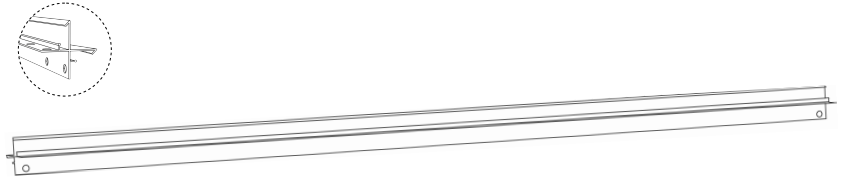
Qty

3B1



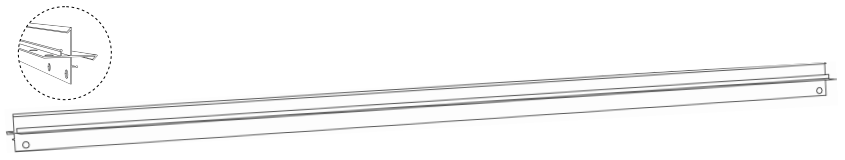
4

3B2-1



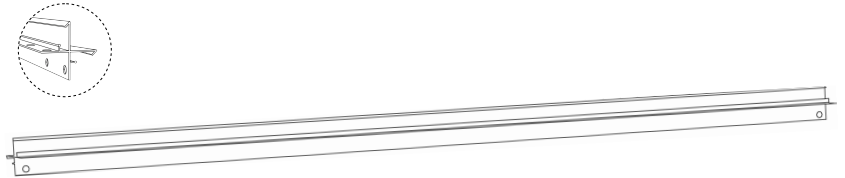
1

3B2-2



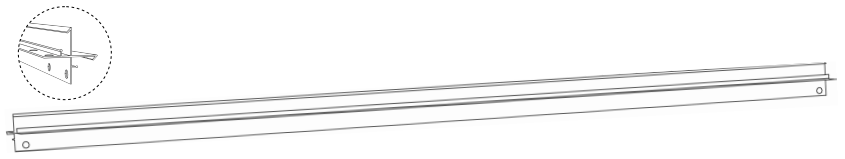
1

3B2-3



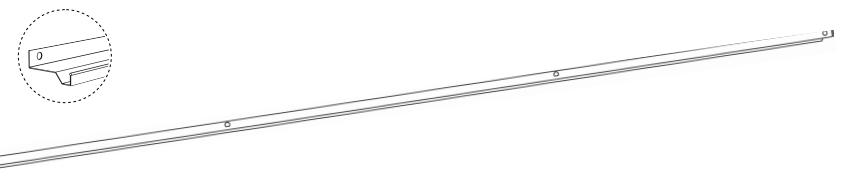
1

3B2-4



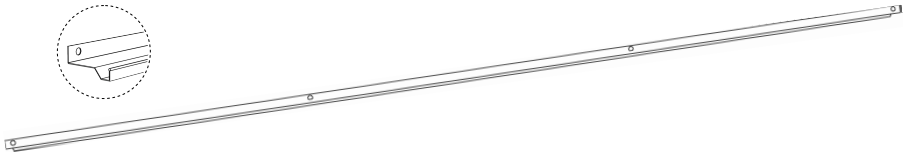
1

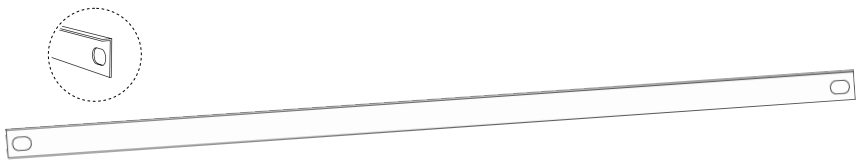
3C1



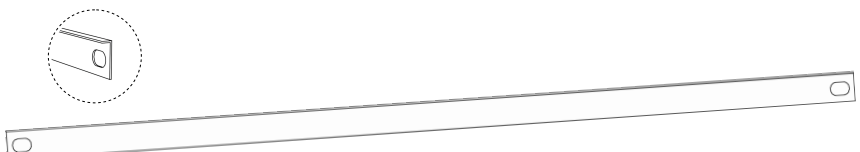
1

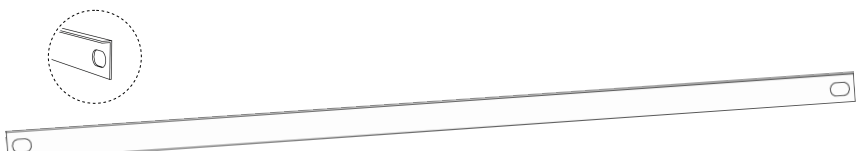
Contents

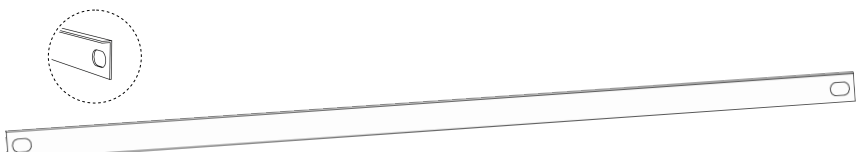
code		Qty
3C2		1

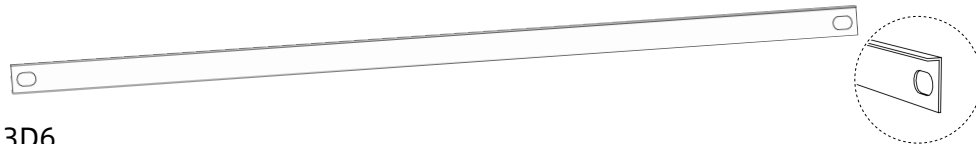
3D1		2
-----	---	---

3D2		2
-----	---	---


3D3		2
-----	--	---


3D4		2
-----	---	---

3D5		8
-----	---	---

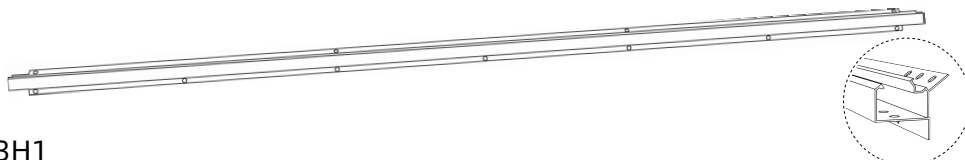
code		Qty
3D6		2

3E1		4
-----	---	---

3E2		2
-----	---	---

3F1		2
-----	--	---


3G1		4
-----	---	---

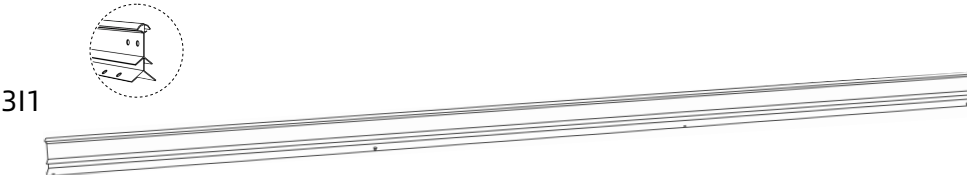
3H1		2
-----	---	---

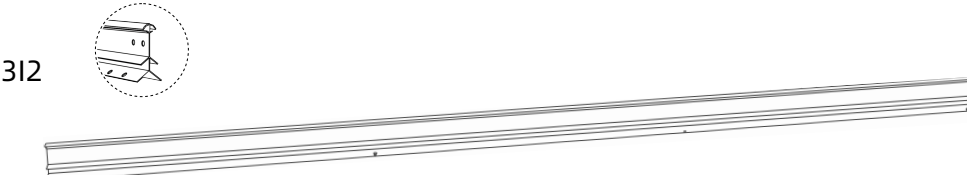
Contents

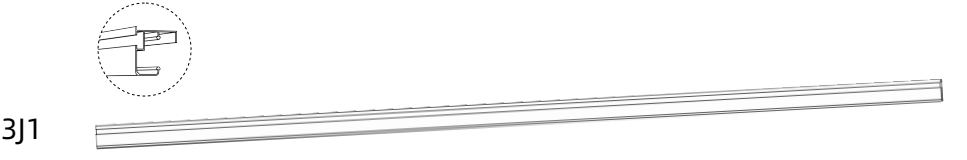
code


Qty


3H2  2

3I1  1

3I2  1


3J1  1


3K1-1  1

3K1-2  1


code

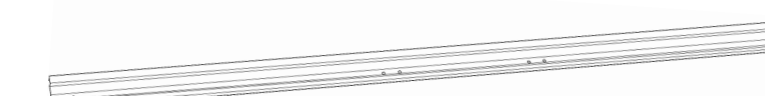
Qty


3L1  1

3M1  2


3N1  4


3O1  2


3P1-1  2


3P1-2  2


Contents


code		Qty
3Q1		2


3R1		8
-----	---	---


3S1		4
-----	---	---

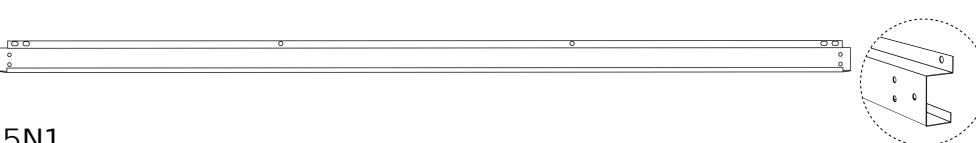
3T1		4
-----	--	---

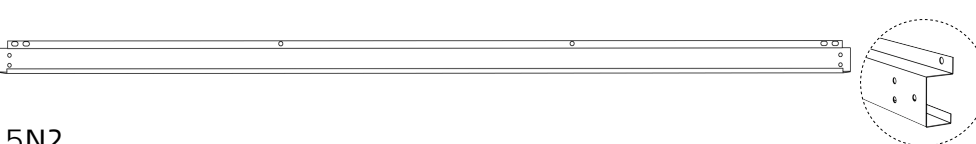
5E2		2
-----	---	---

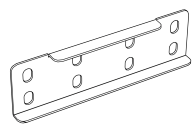
5E1		2
-----	---	---

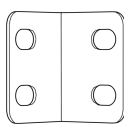
code		Qty
5S2		1


5S1		1
-----	---	---


5N1		1
-----	---	---

5N2		1
-----	--	---

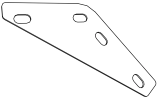

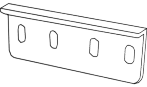
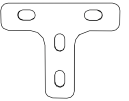
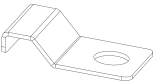
2BJ7		4
------	---	---

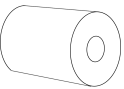
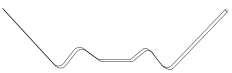
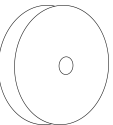

2BJ8		4
------	---	---


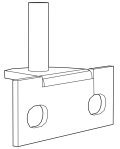
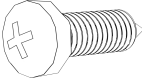
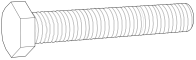
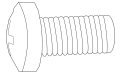
2BJ9		3
------	---	---

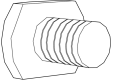
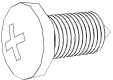

2BJ10		1
-------	---	---


Contents







code		Qty
2BJ11		4
2BJ12		2
2BJ14		2
2BJ15		2
CBJ14		4



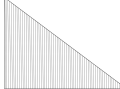
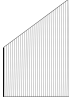

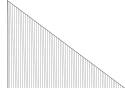
Kod		Ilość	Kod	Ilość	
C4		2	KH		264
C1		8			

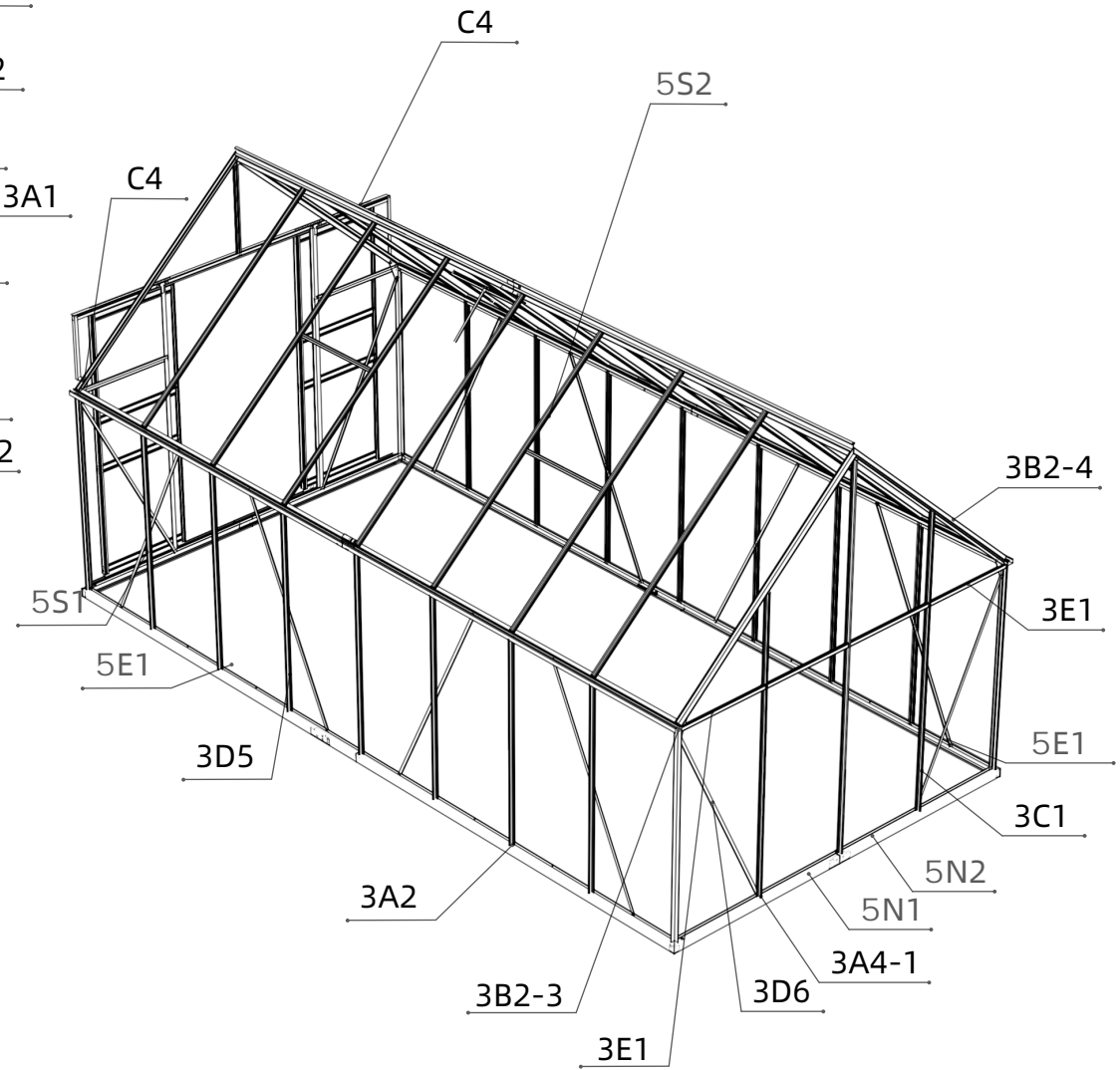
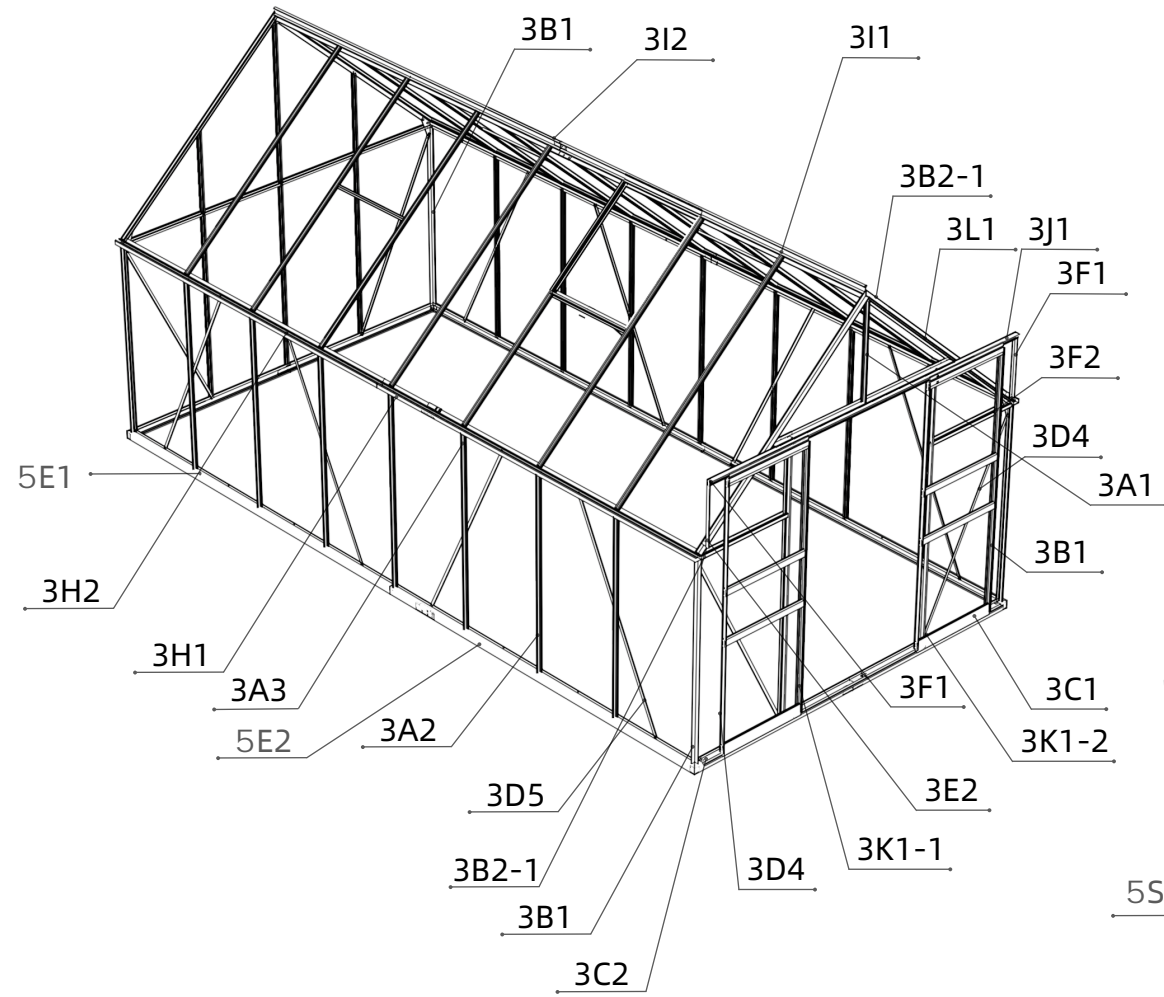
code		Qty
VT1		4
C2		4
D1		35
D4		3
D2		10

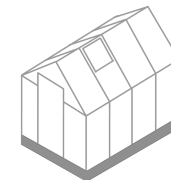
A1		240
D3		20
A2		242

2BJ17		3
-------	---	---

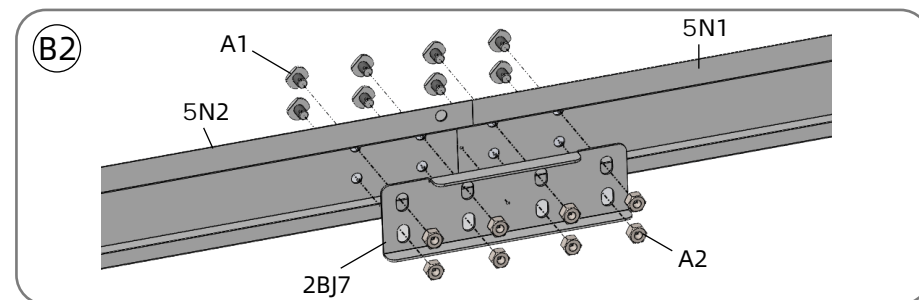
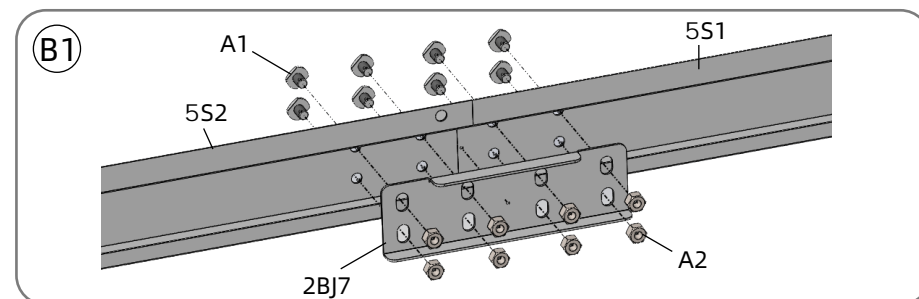
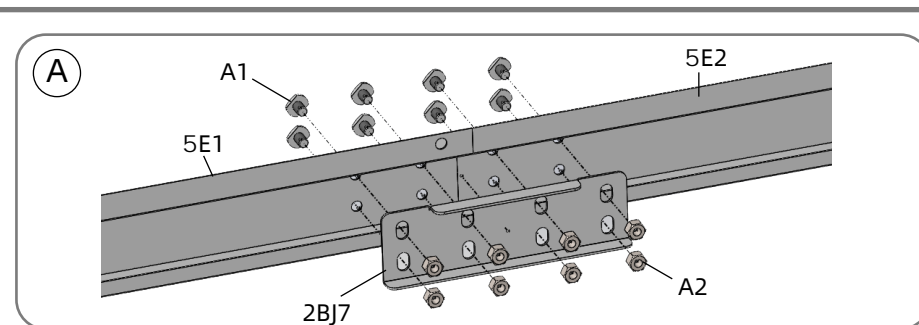
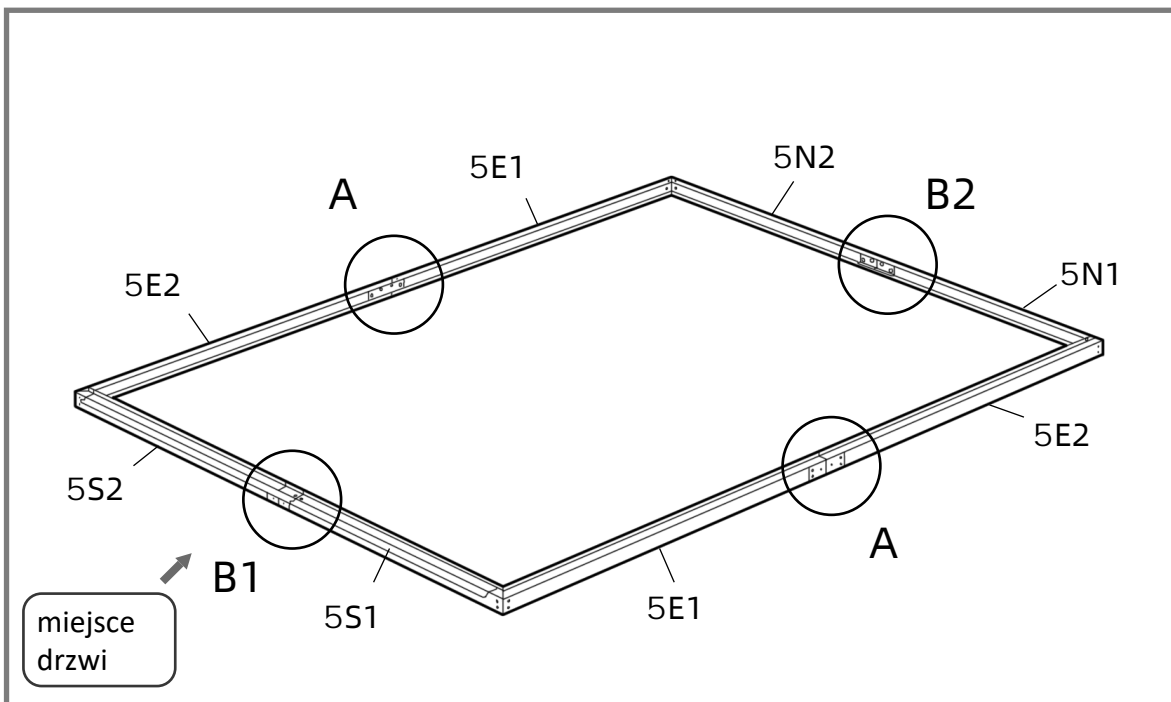
code		Qty
3PC1		4
3PC2		2
3PC3		4
3PC4		2
3PC5		16
3PC6		12

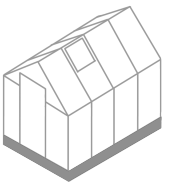
3PC7		4
3PC8		4
3PC10		2
3PC12		2
3PC14		2
3PC16		2



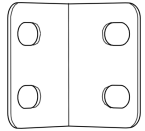


5E2		x2	5S1		x1	A1		x32
5E1		x2	5N1		x1				
5S2		x1	2BJ7		x4	A2		x32
5N2		x1								





2BJ8



..... x4

A1

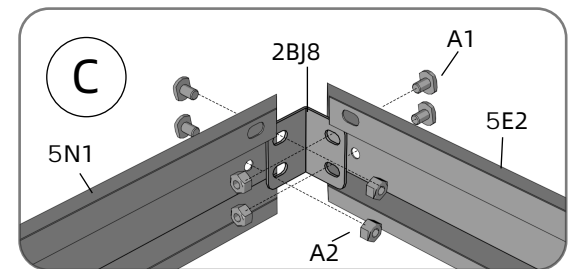
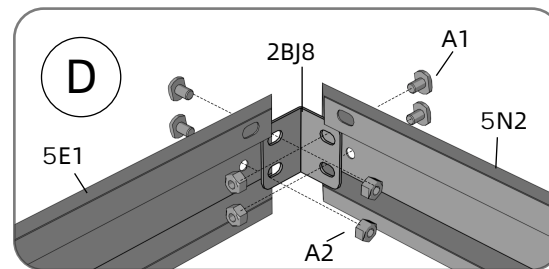
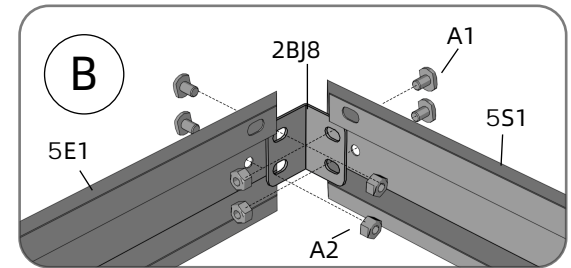
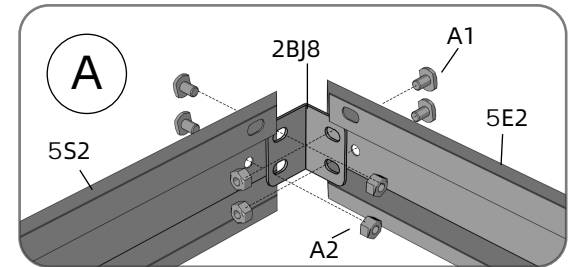
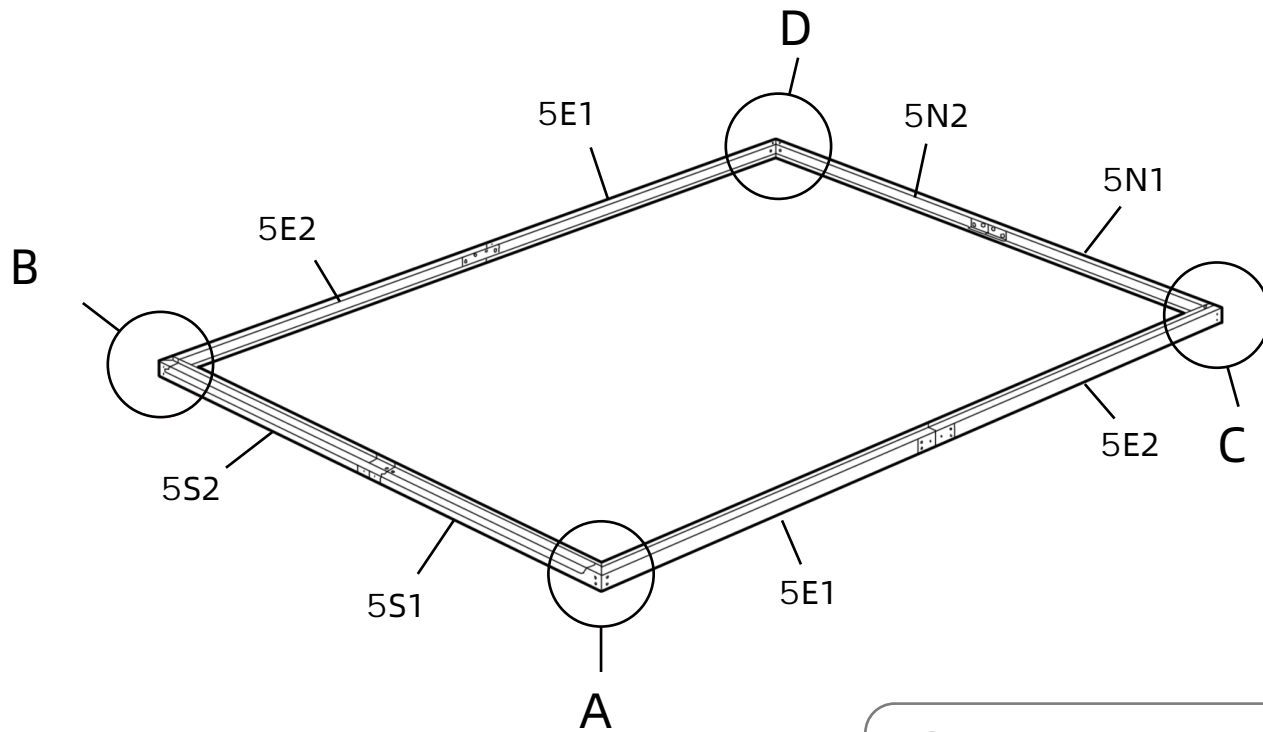


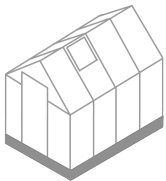
..... x16


A2




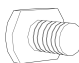
..... x16




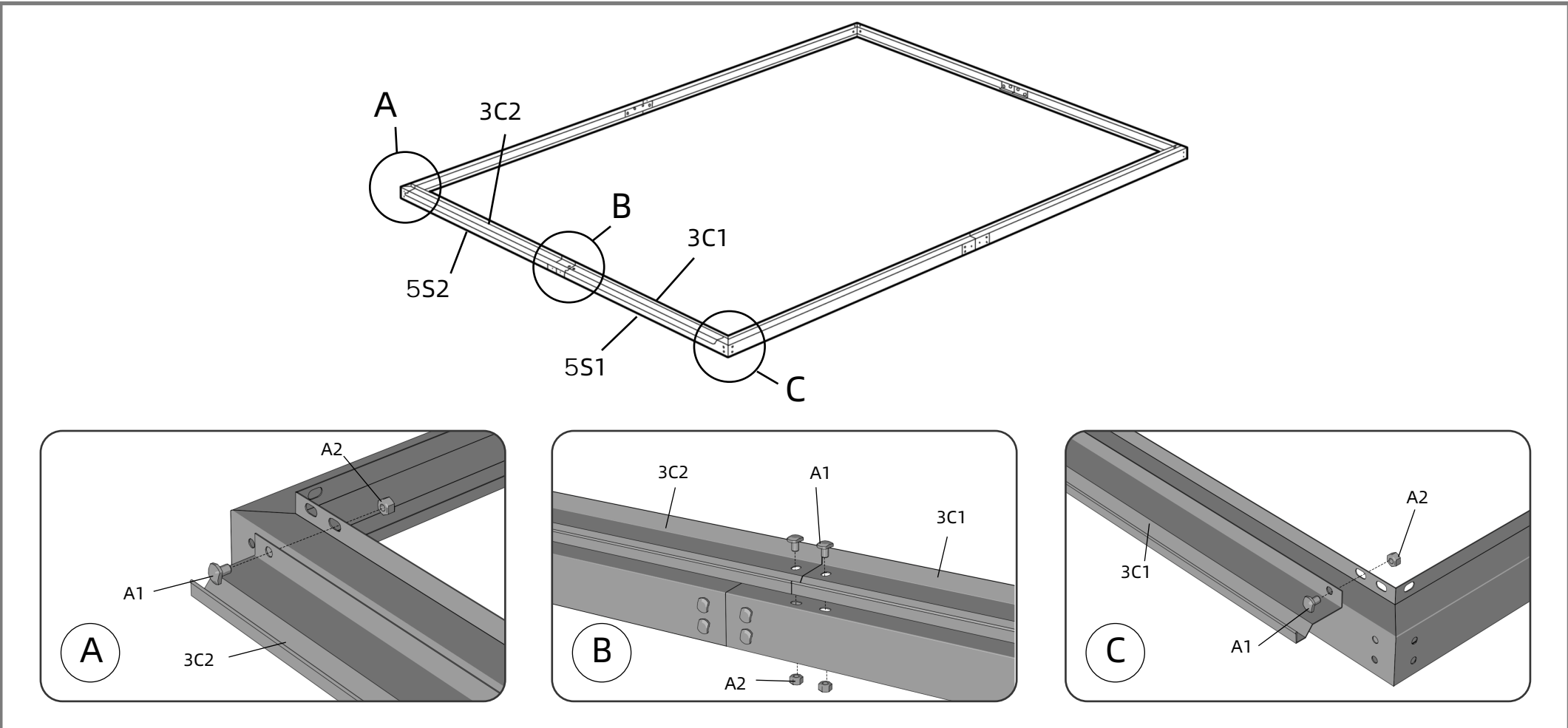


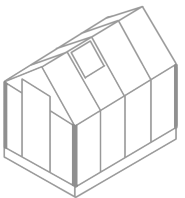
3C1  x1




3C2  x1

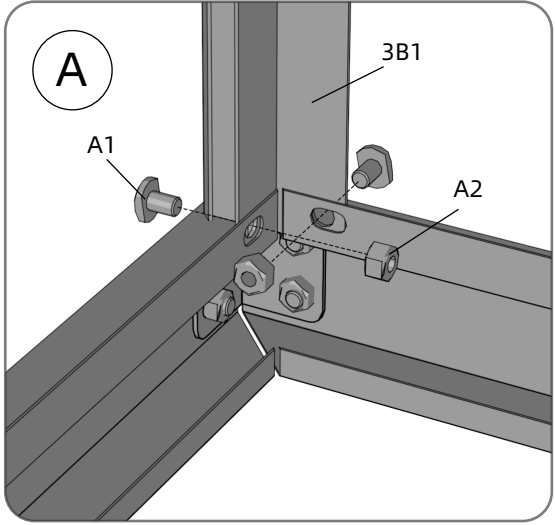
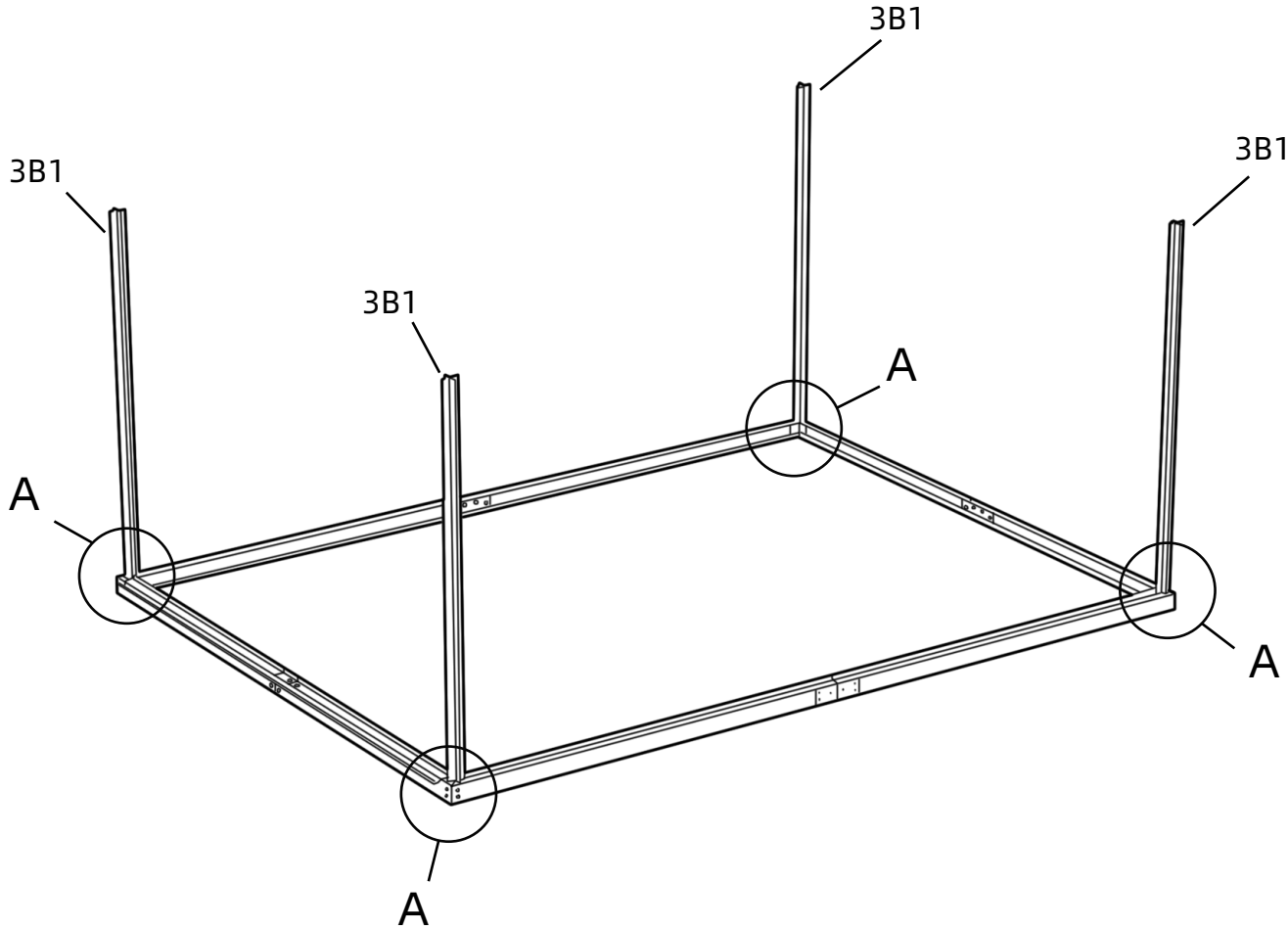
A1  x4

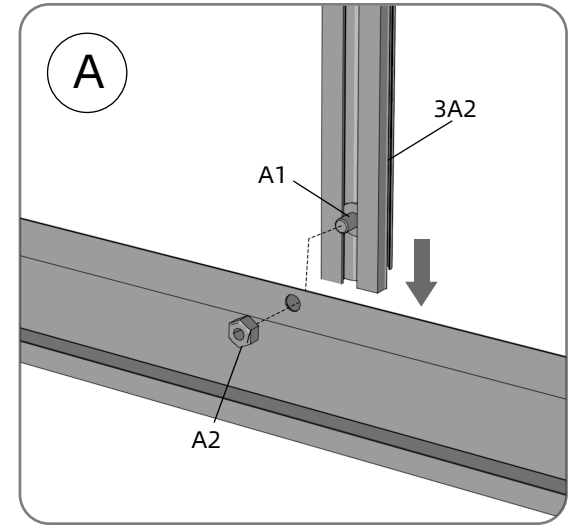
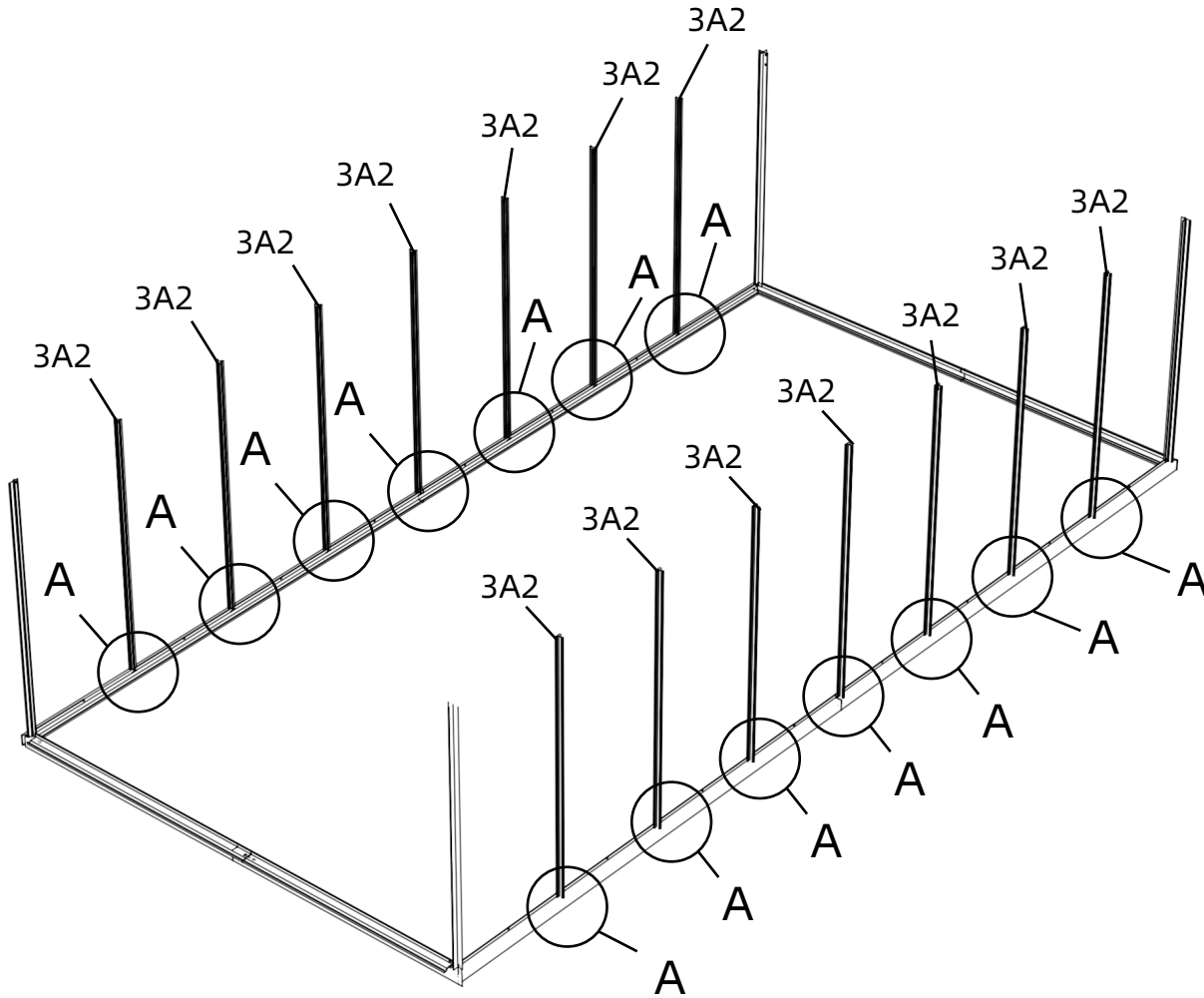
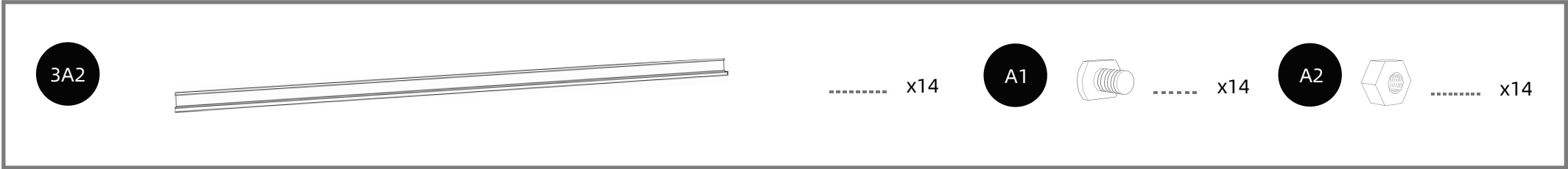
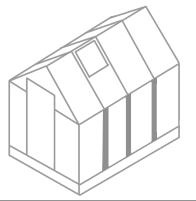
A2  x4

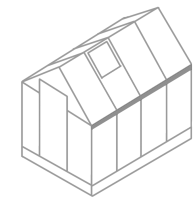




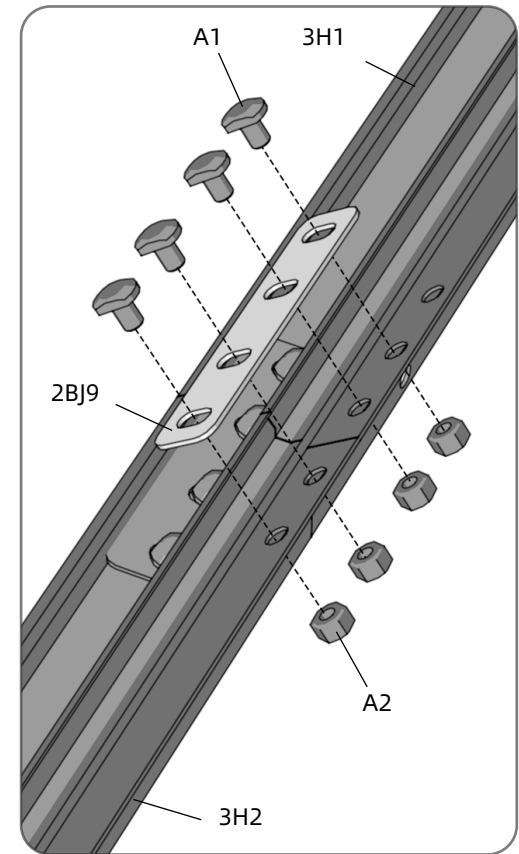
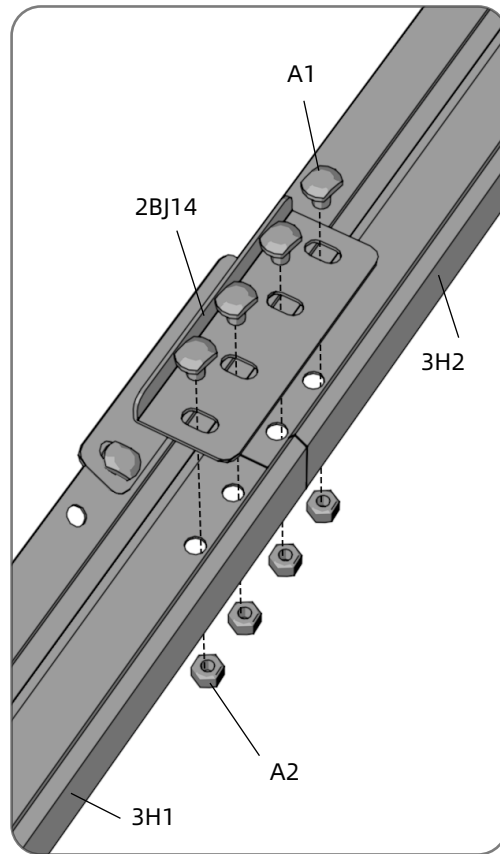
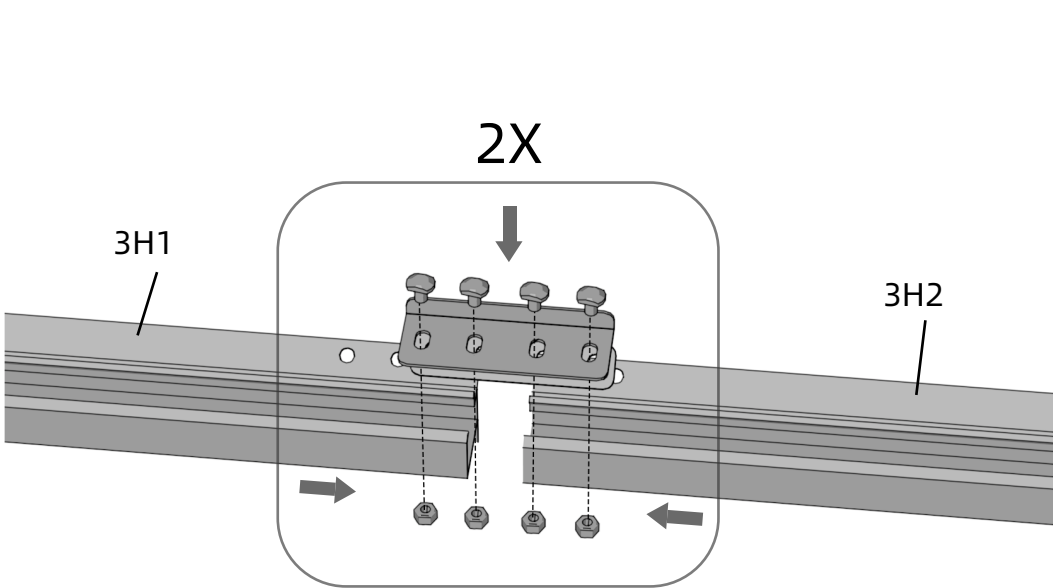
3B1  x4 A1  x8 A2  x8

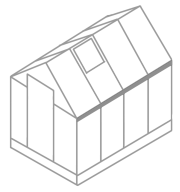


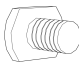



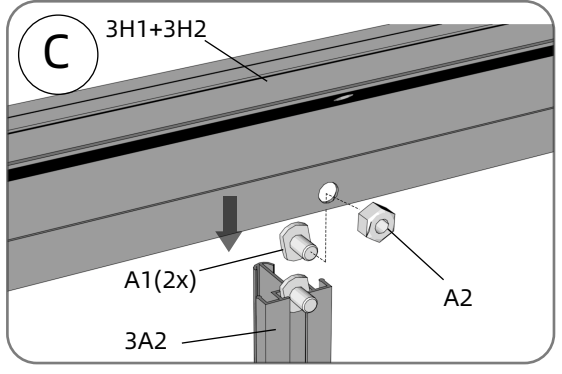
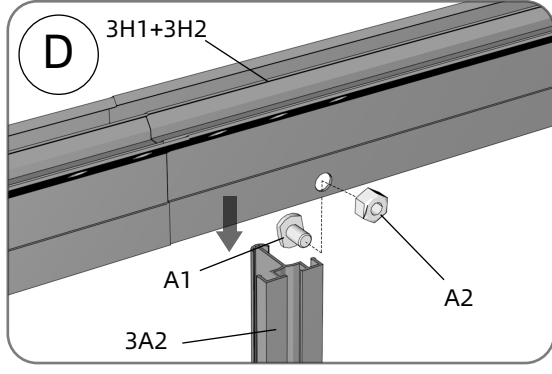
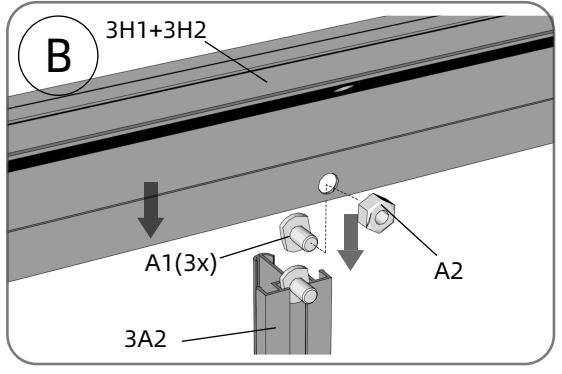
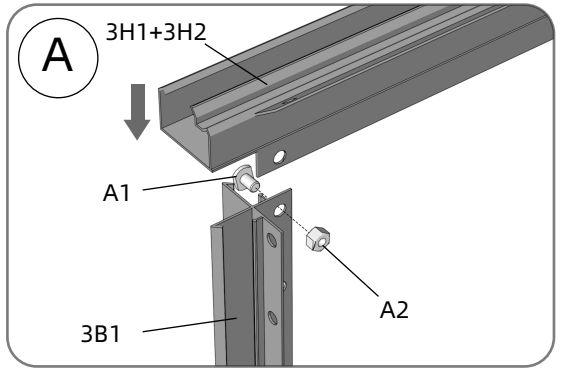
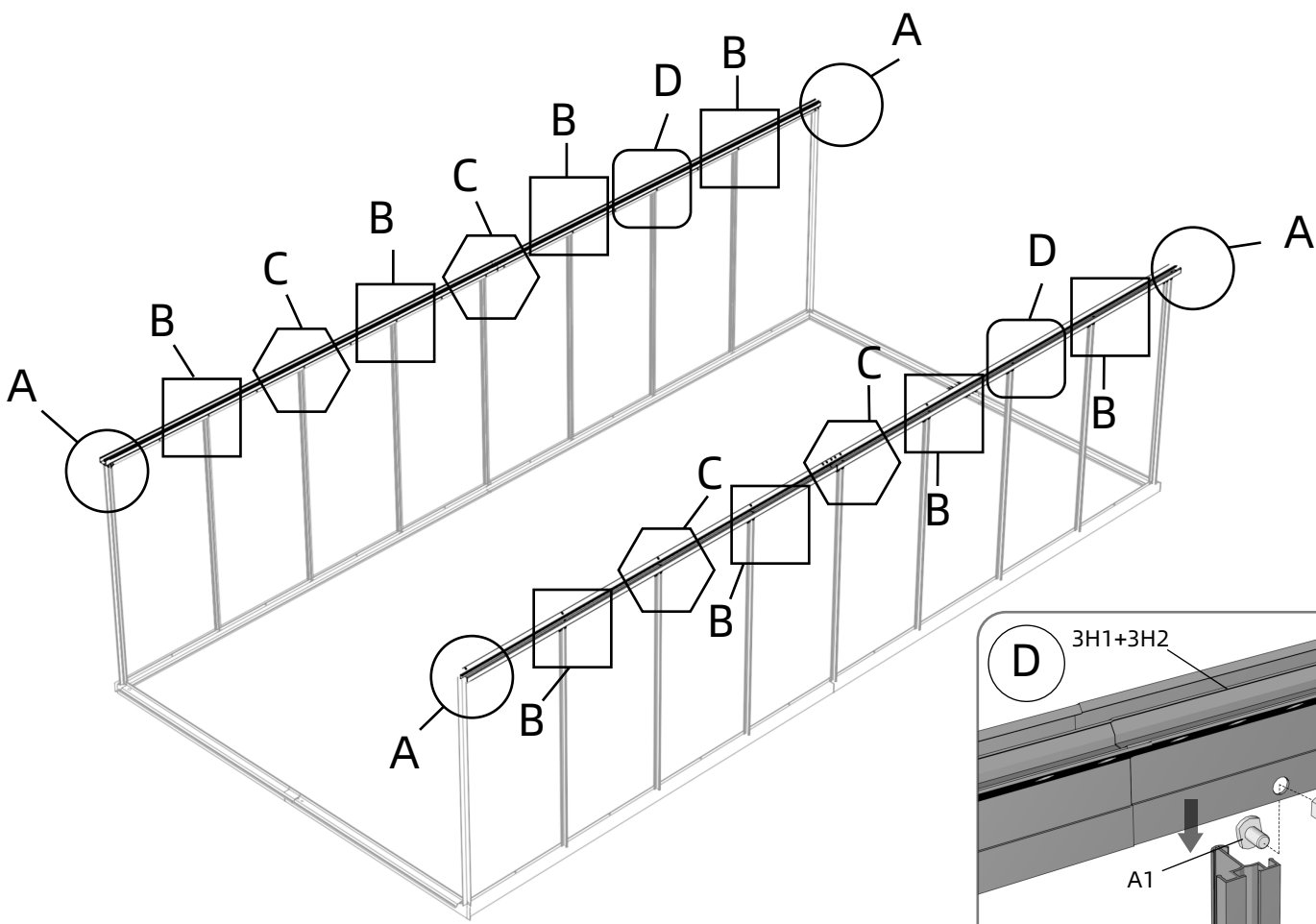


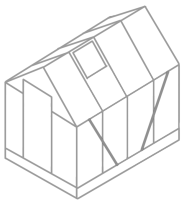
3H1	 x2	2BJ9	 x2	A1	 x16
3H2	 x2	2BJ14	 x2	A2	 x16






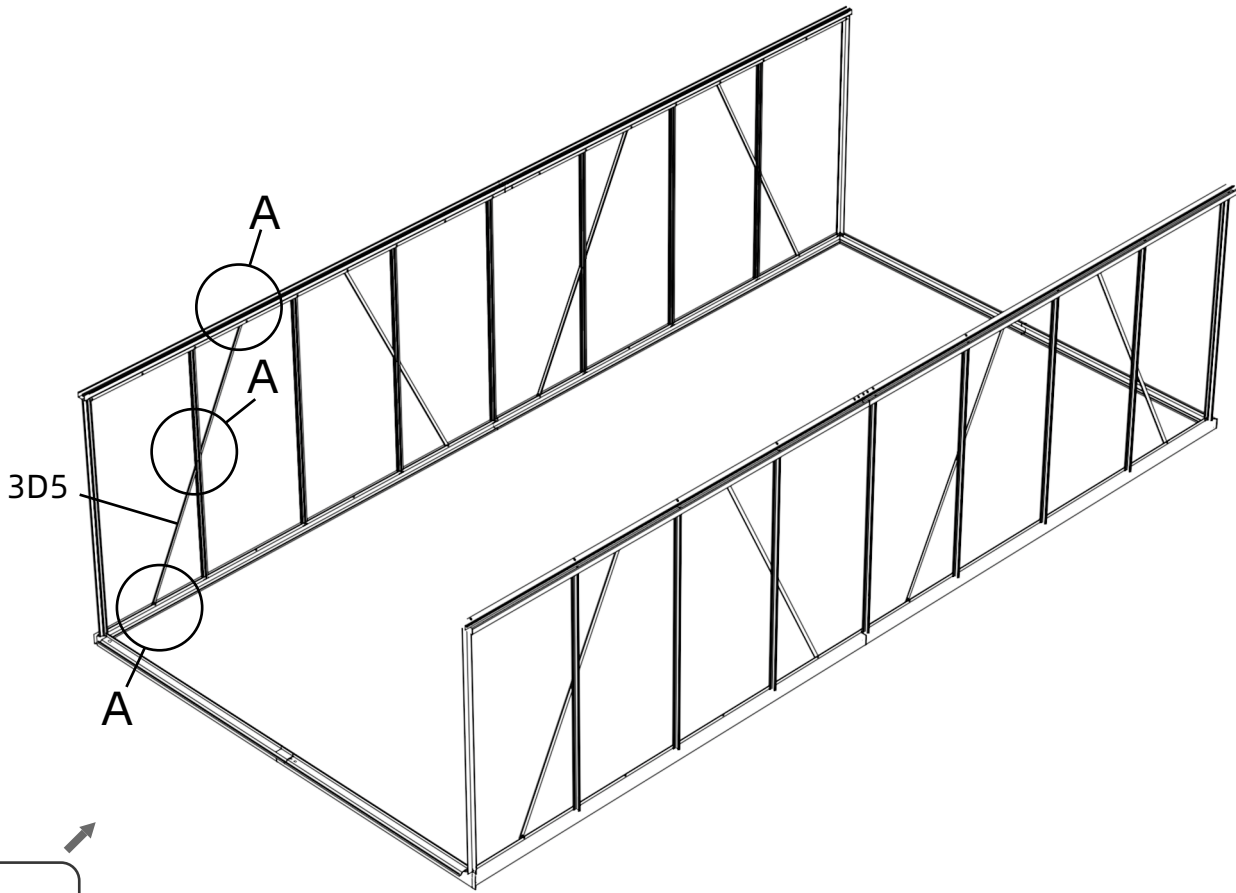


A1  x28
 A2  x16





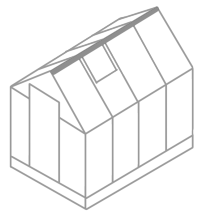
3D5  x6
 A1  x12
 A2  x18



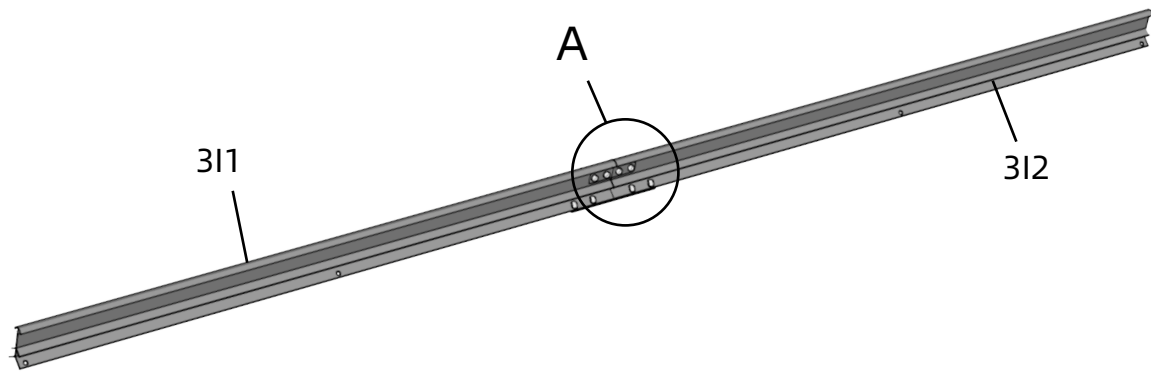
Door



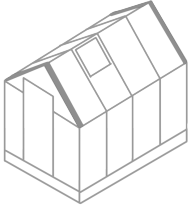
A



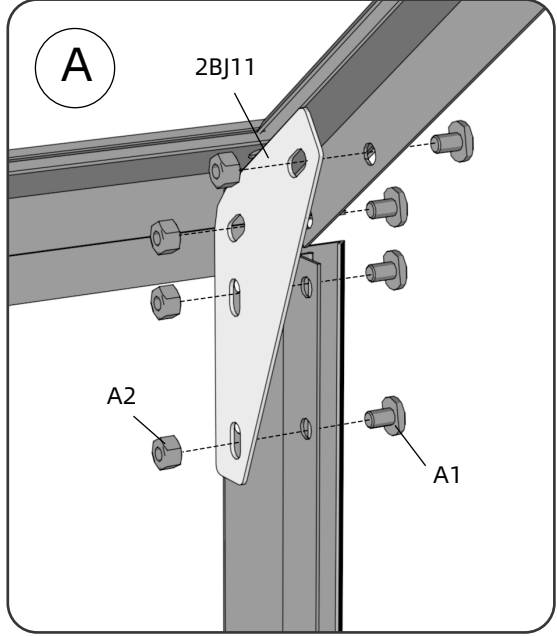
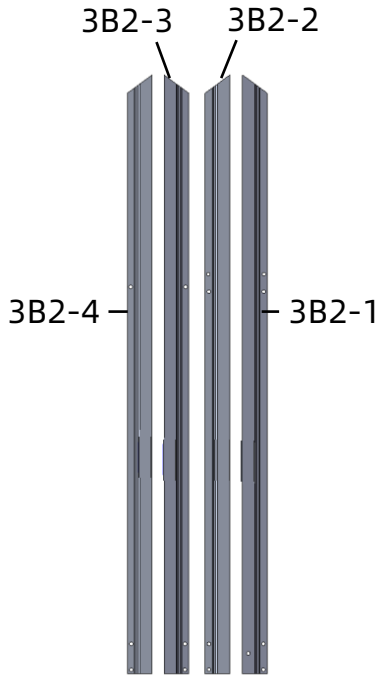
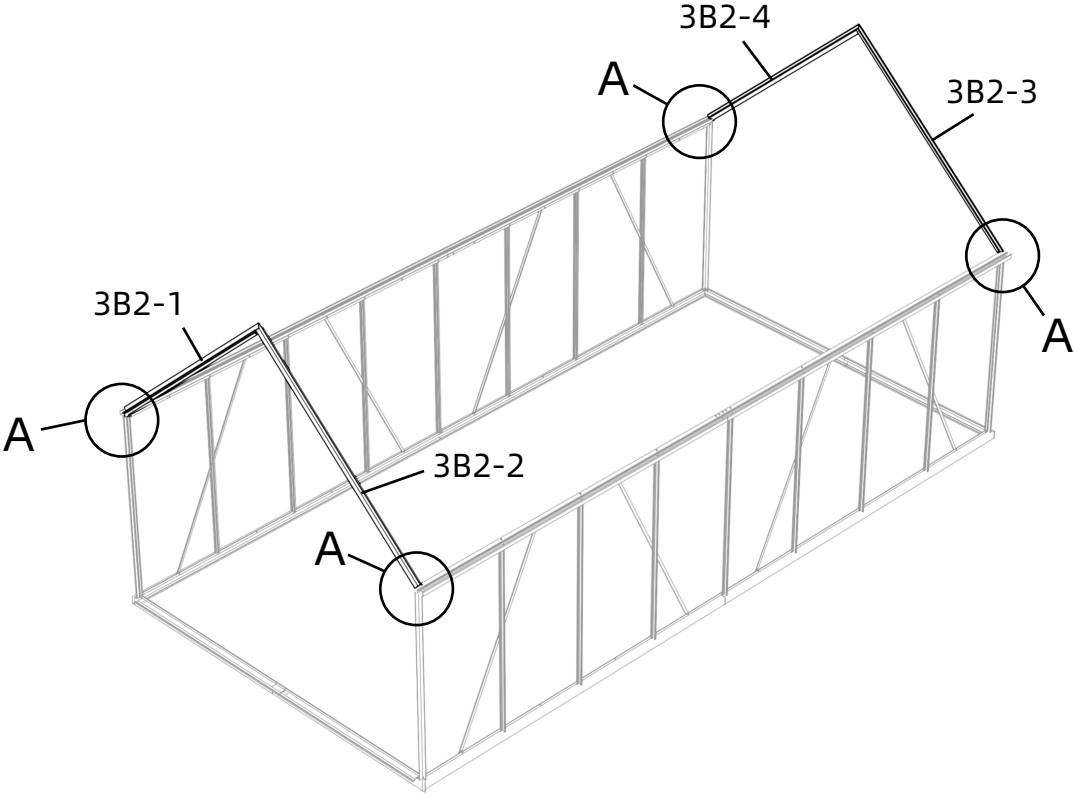
311	 x1	A1	 x12	A2	 x12
312	 x1	2BJ9	 x1	2BJ10	 x1

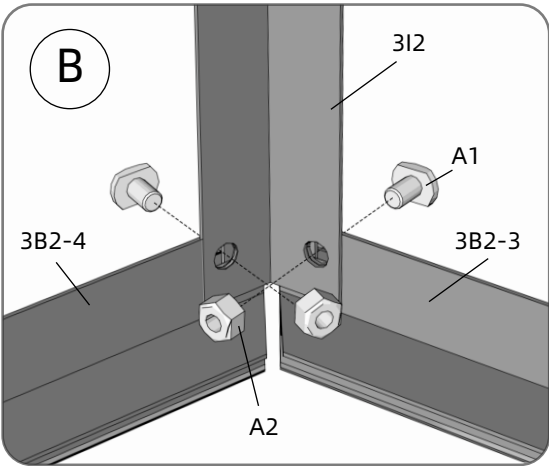
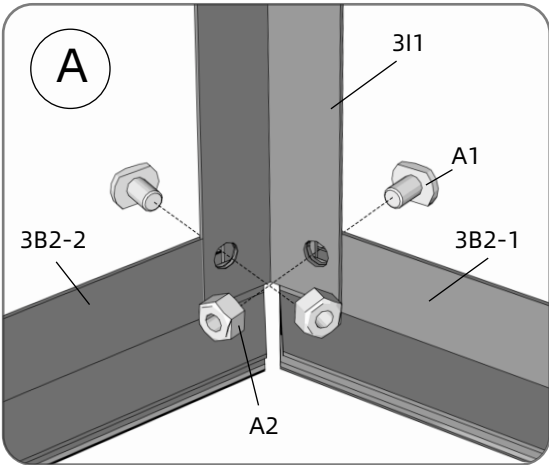
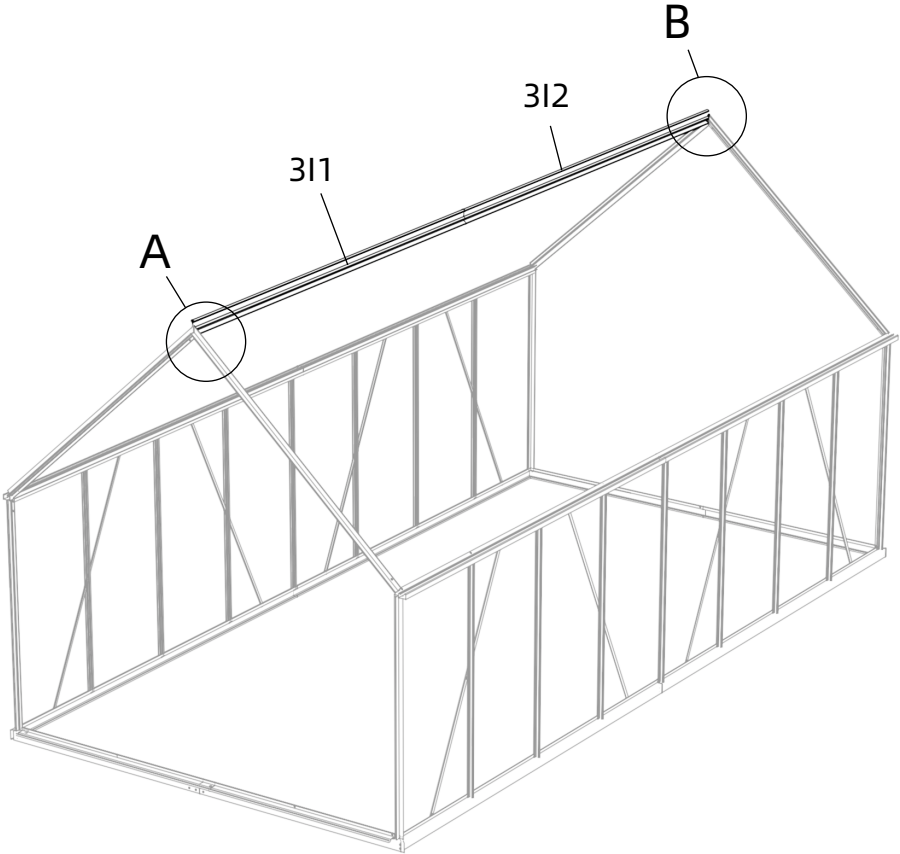
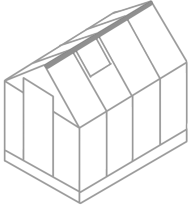


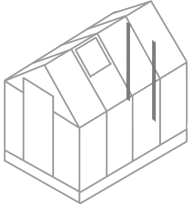
A


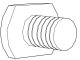




3B2-1	 x1	A1	 x16	A2	 x16
3B2-2	 x1	2BJ11	 x4			
3B2-3	 x1	3B2-4	 x1			

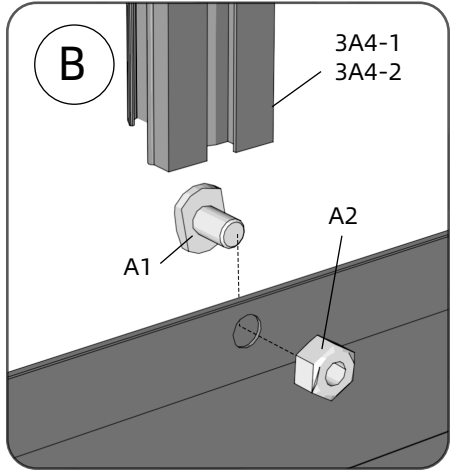
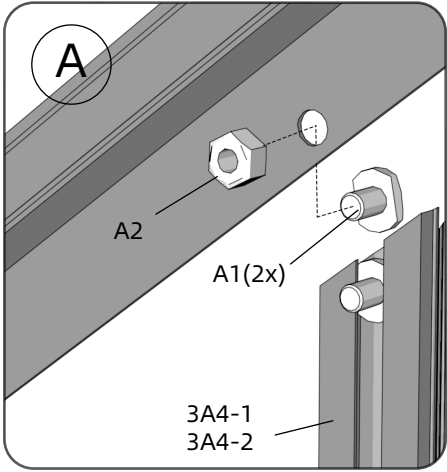
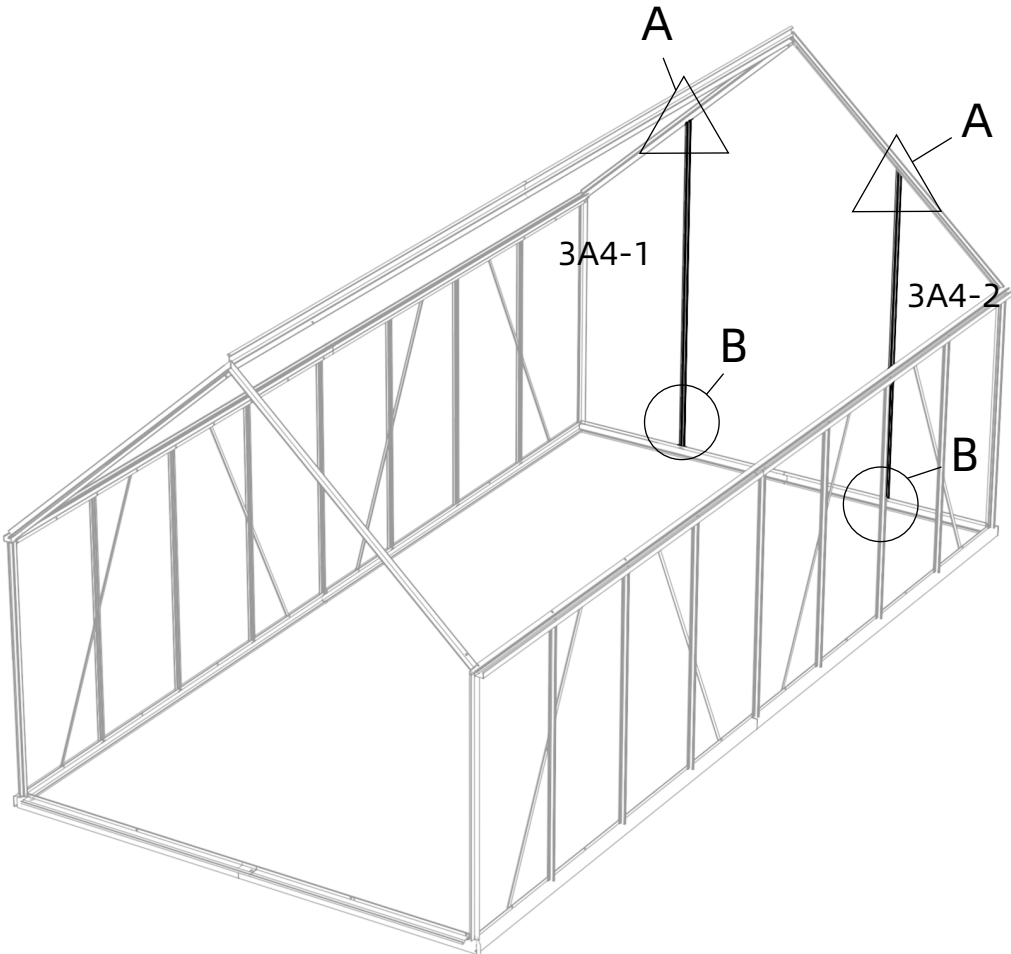


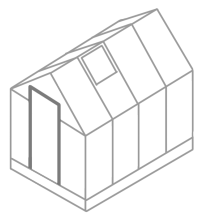




3A4-1  x1
 A1  x6
 A2  x4

3A4-2  x1





3K1-1 x1

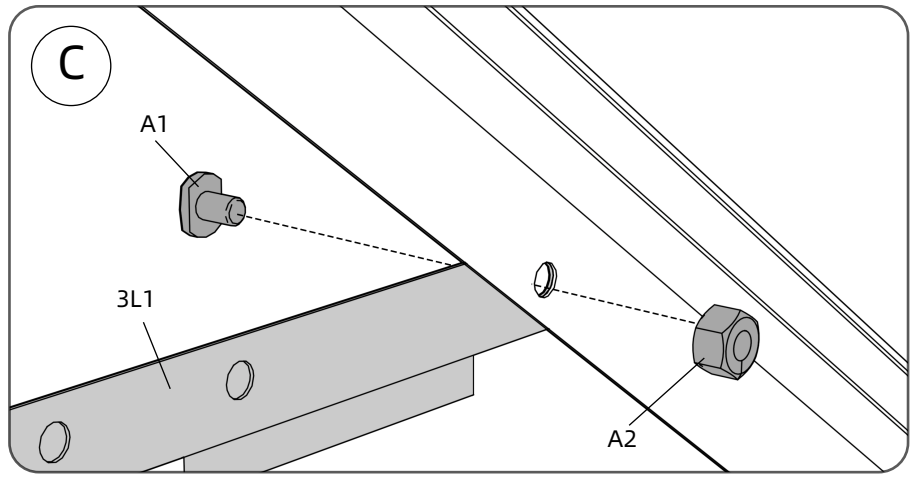
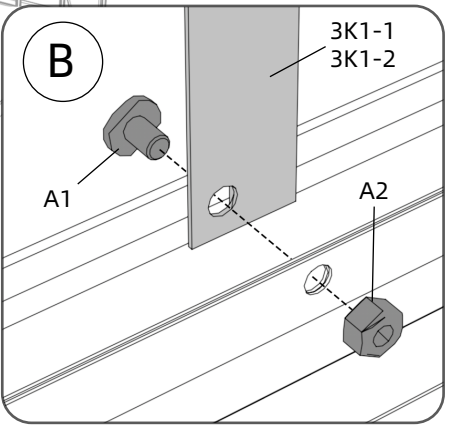
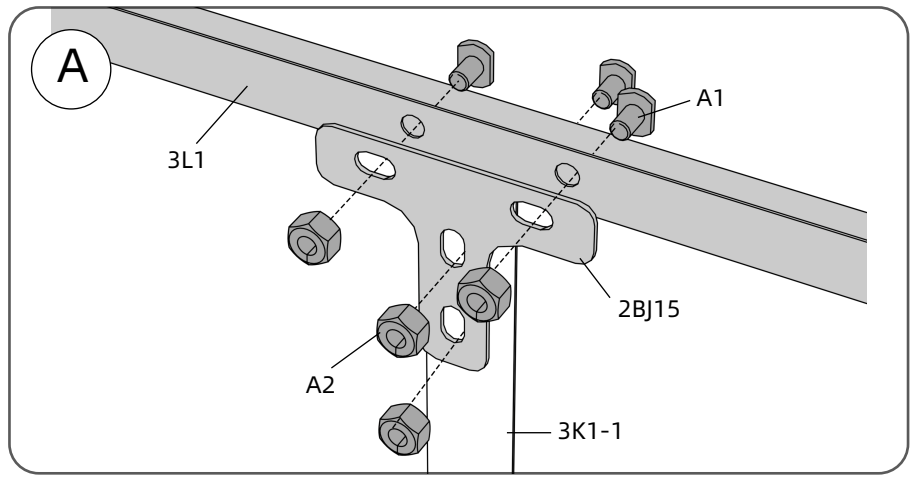
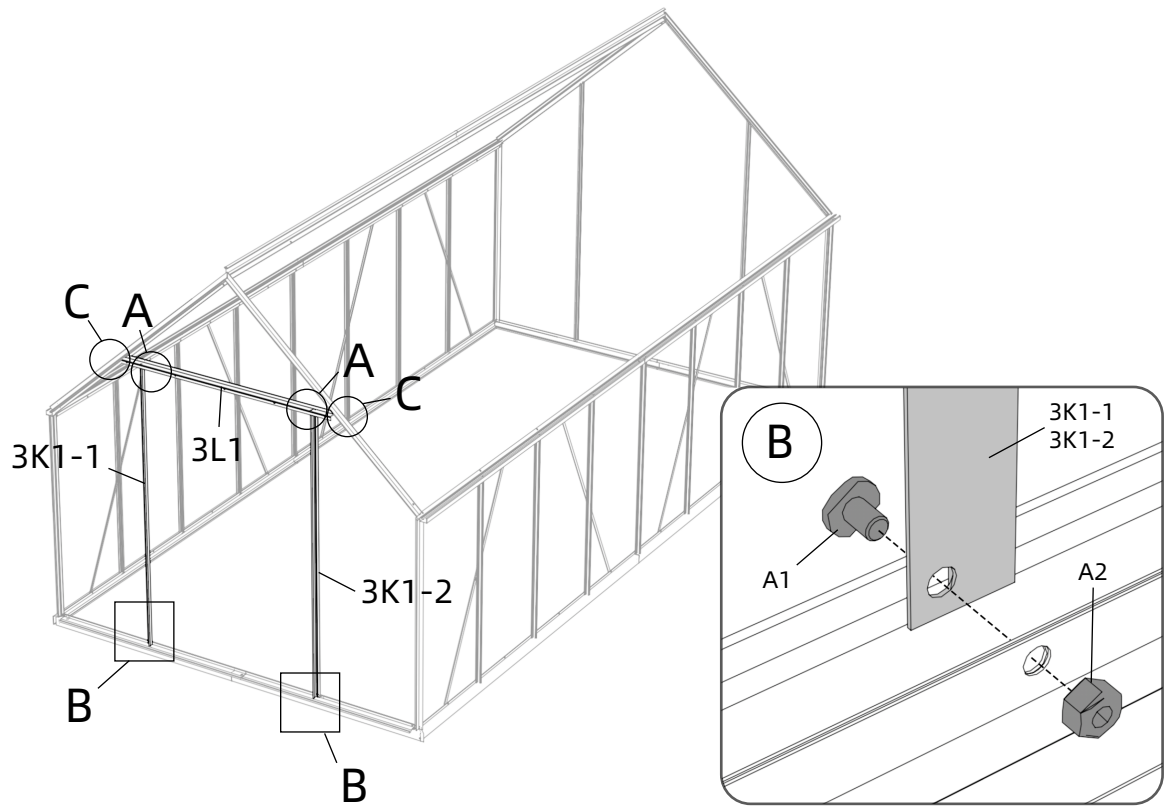
3K1-2 x1

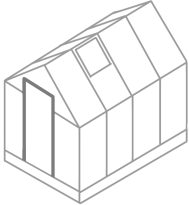
2BJ15 x2

A2 x12

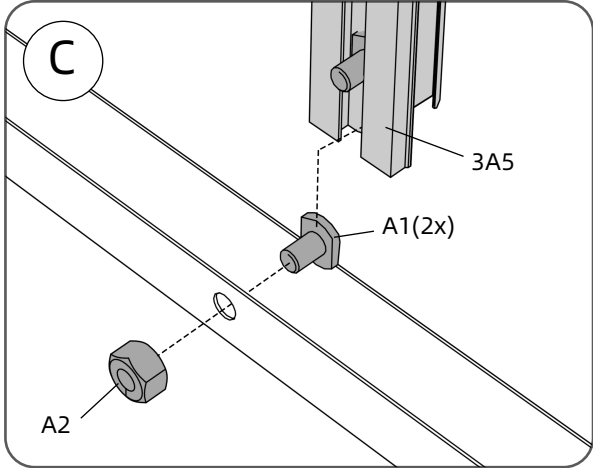
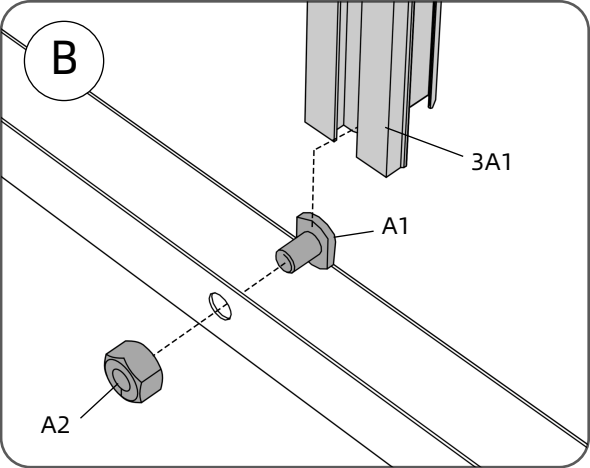
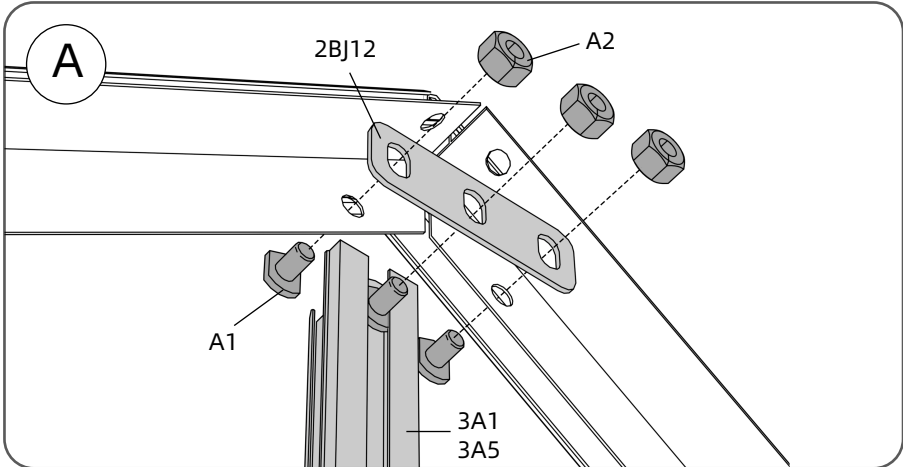
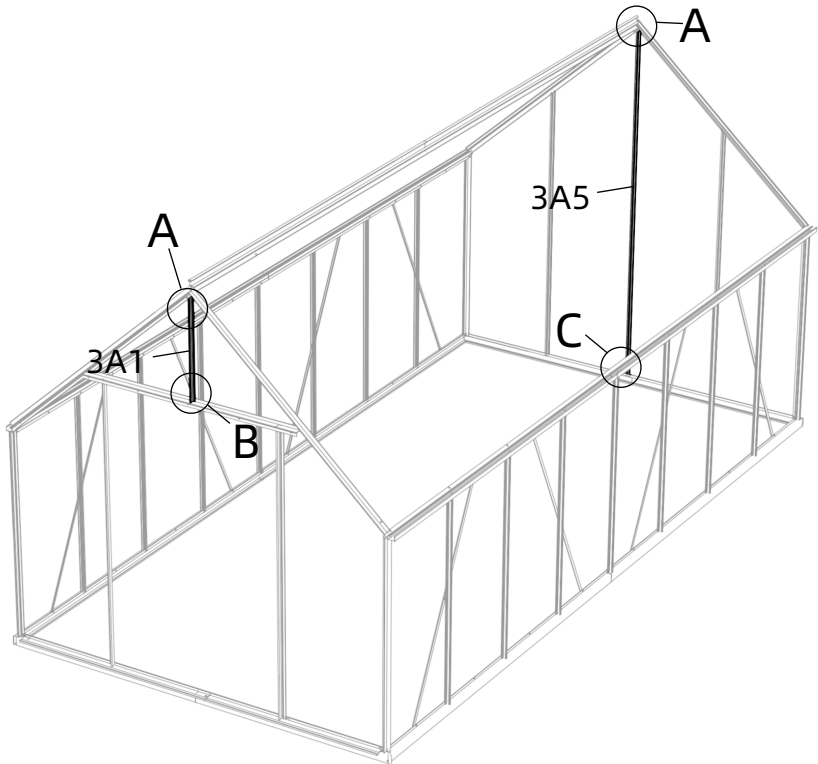
A1 x12

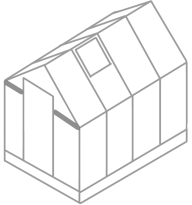
3L1 x1


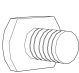
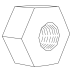



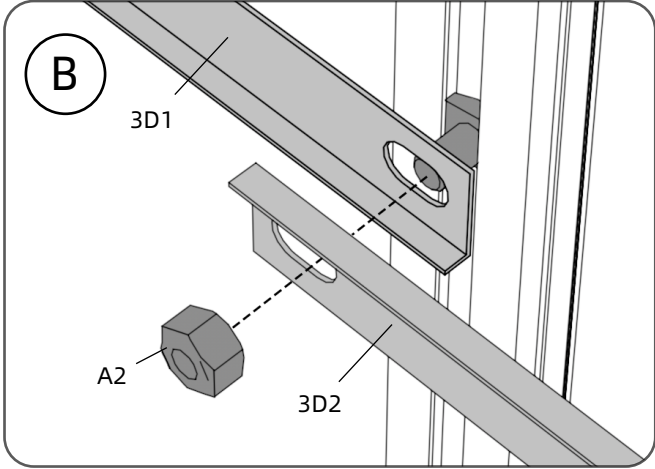
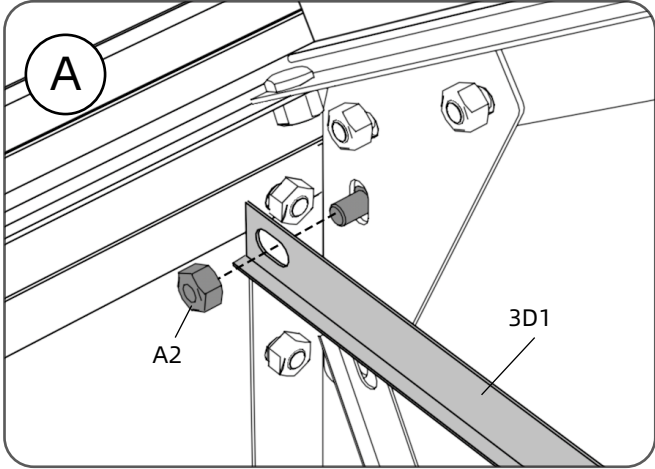
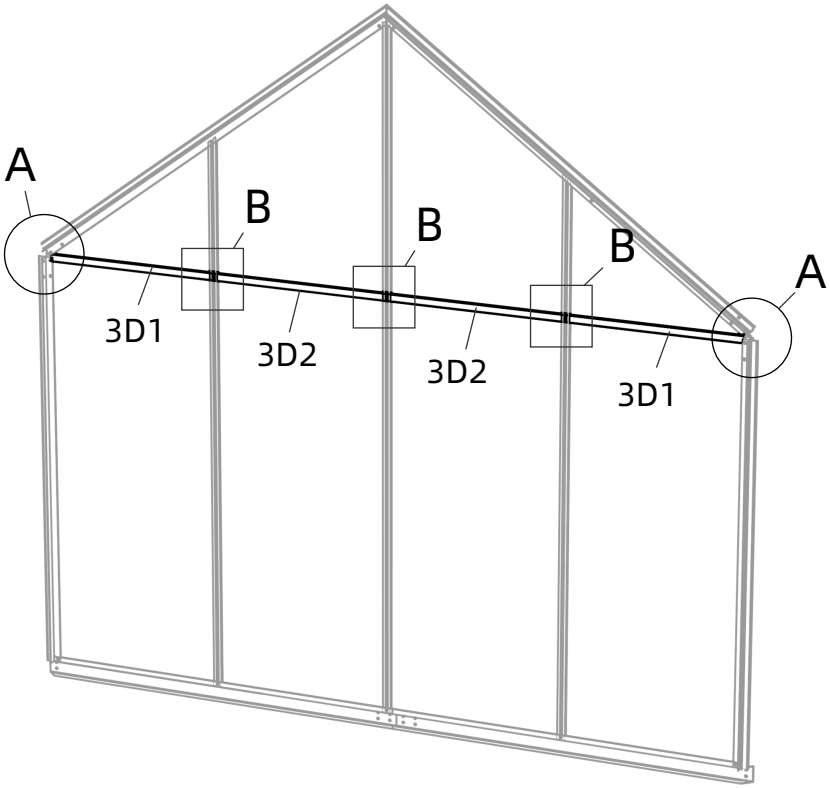


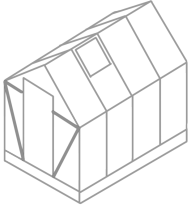
3A1	 x1	A2	 x8	A1	 x8
3A5	 x1	2BJ12	 x2			



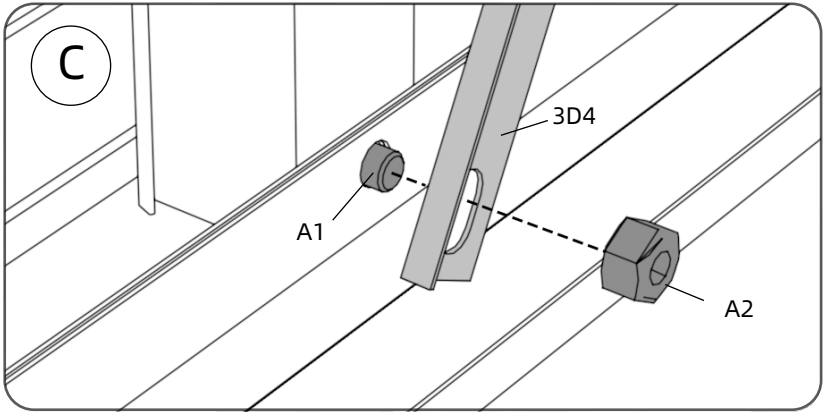
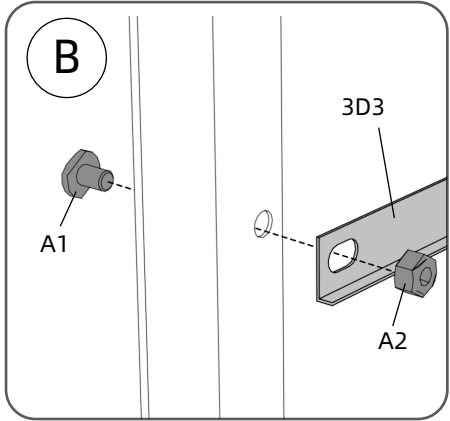
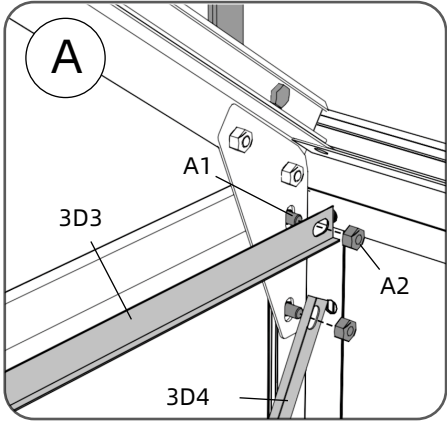
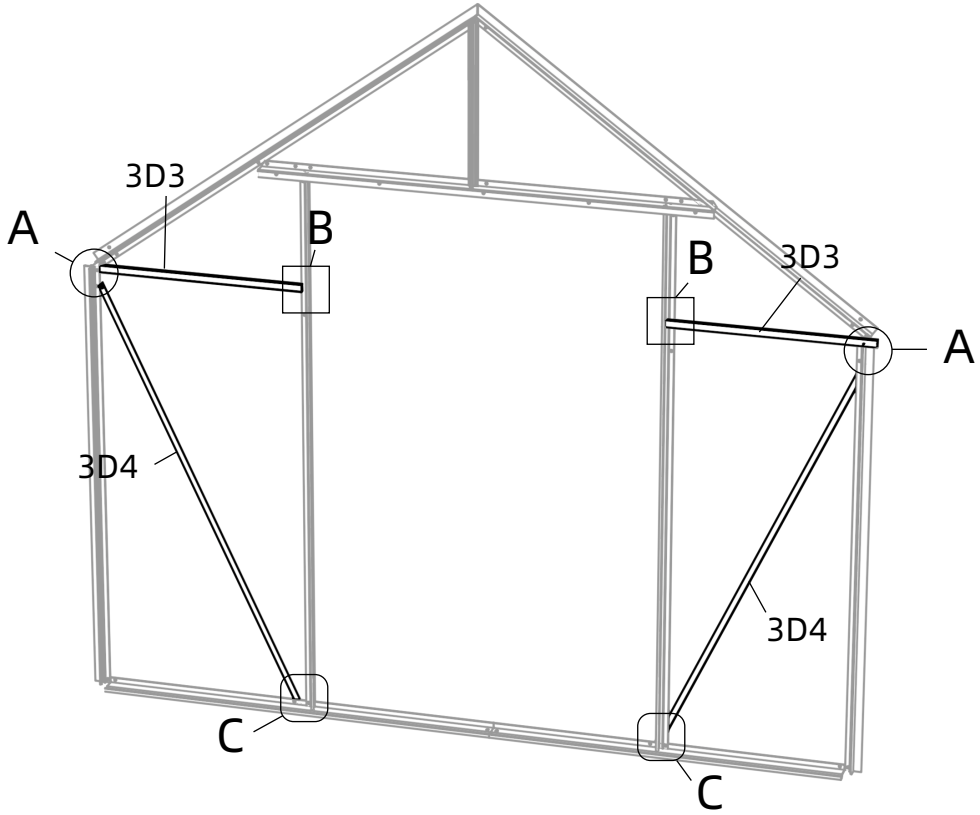


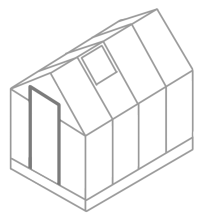
 x2	 x2	 x5
 x2				






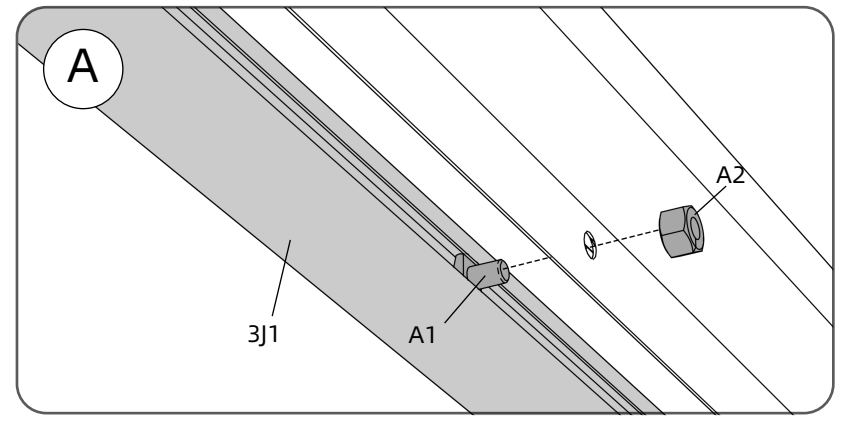
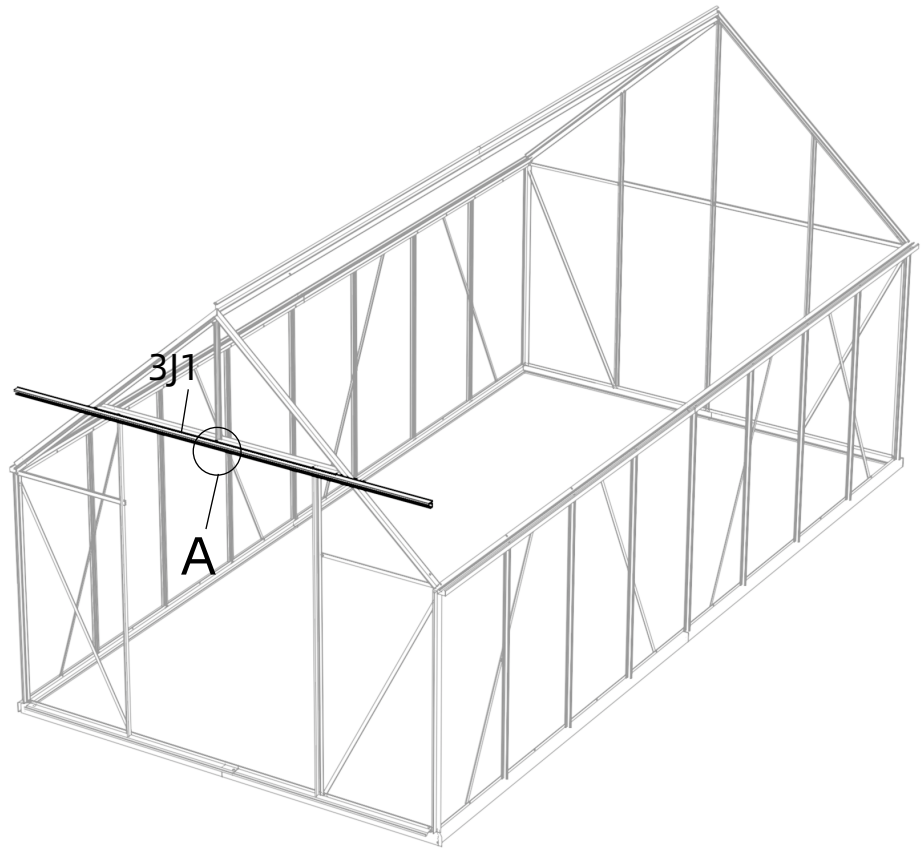


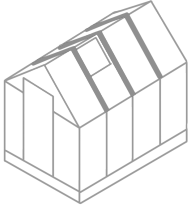
3D3	 x2	A1	 x8
3D4	 x2	A2	 x8



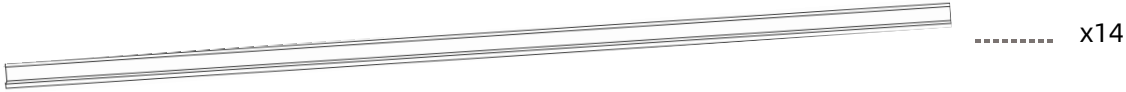


3J1  x1 A1  x5 A2  x5





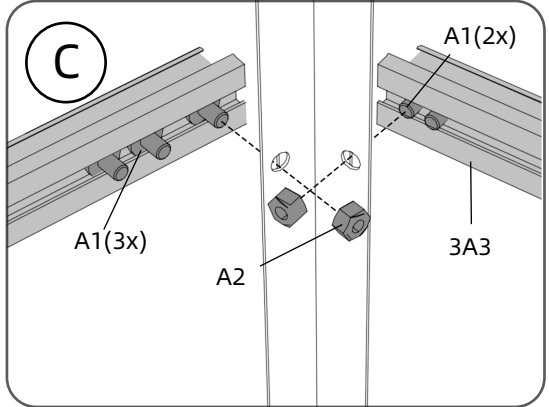
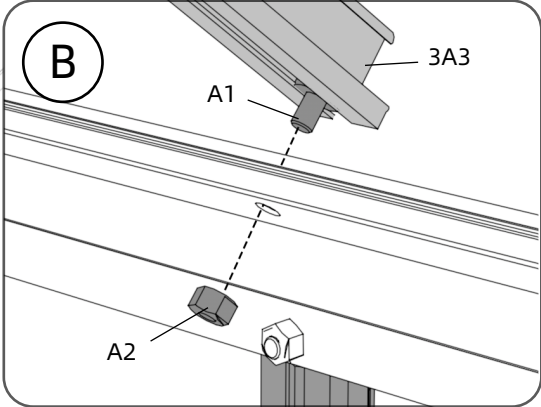
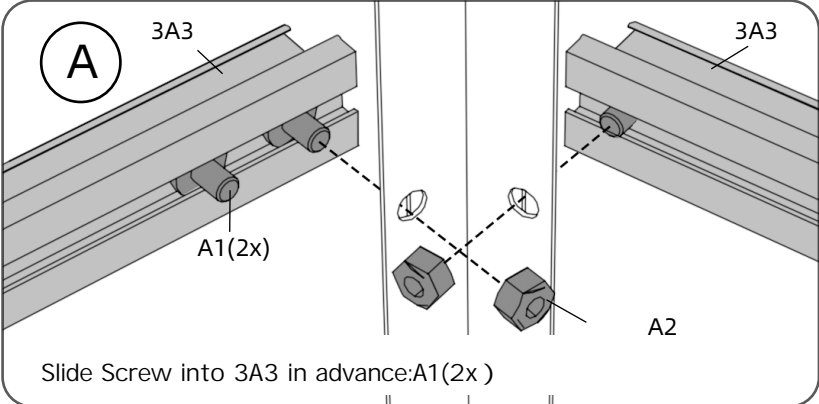
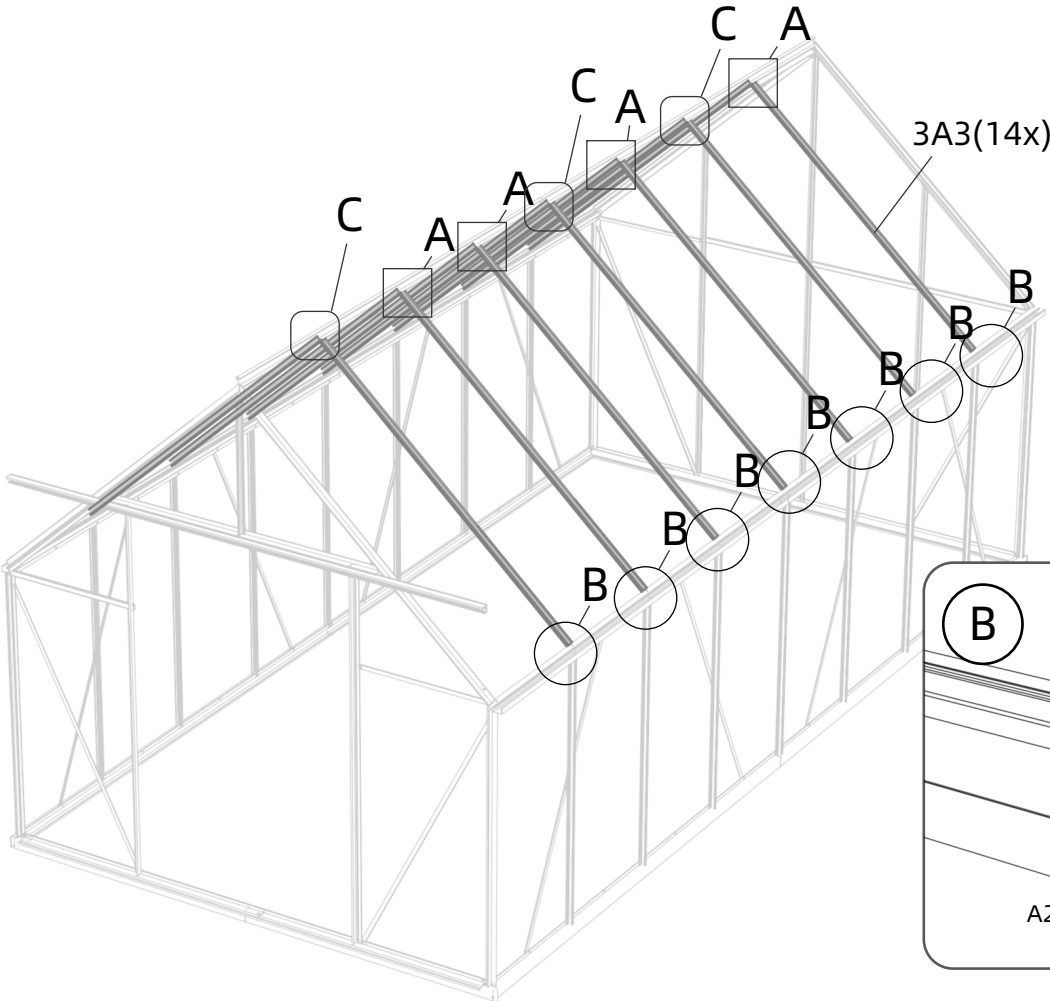
3A3

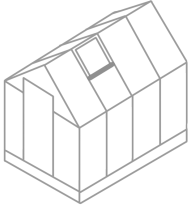


A1



A2





3G1



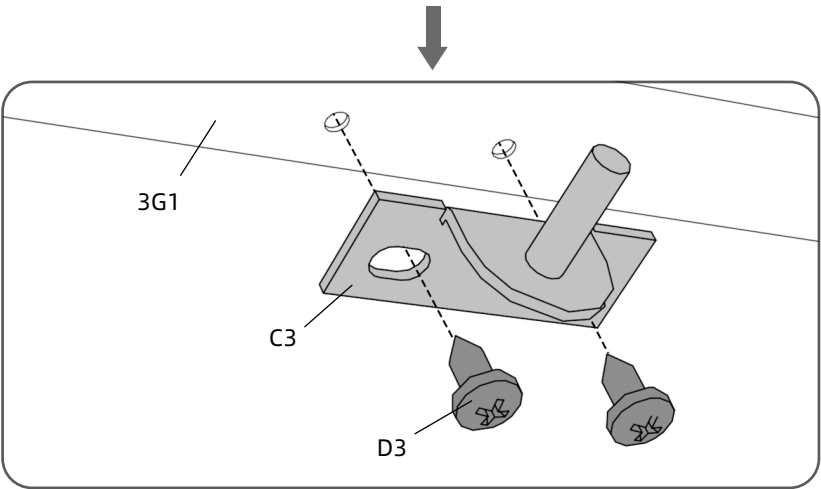
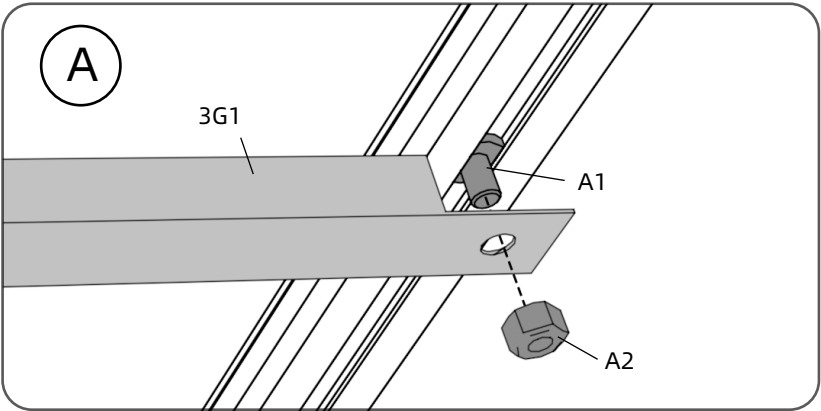
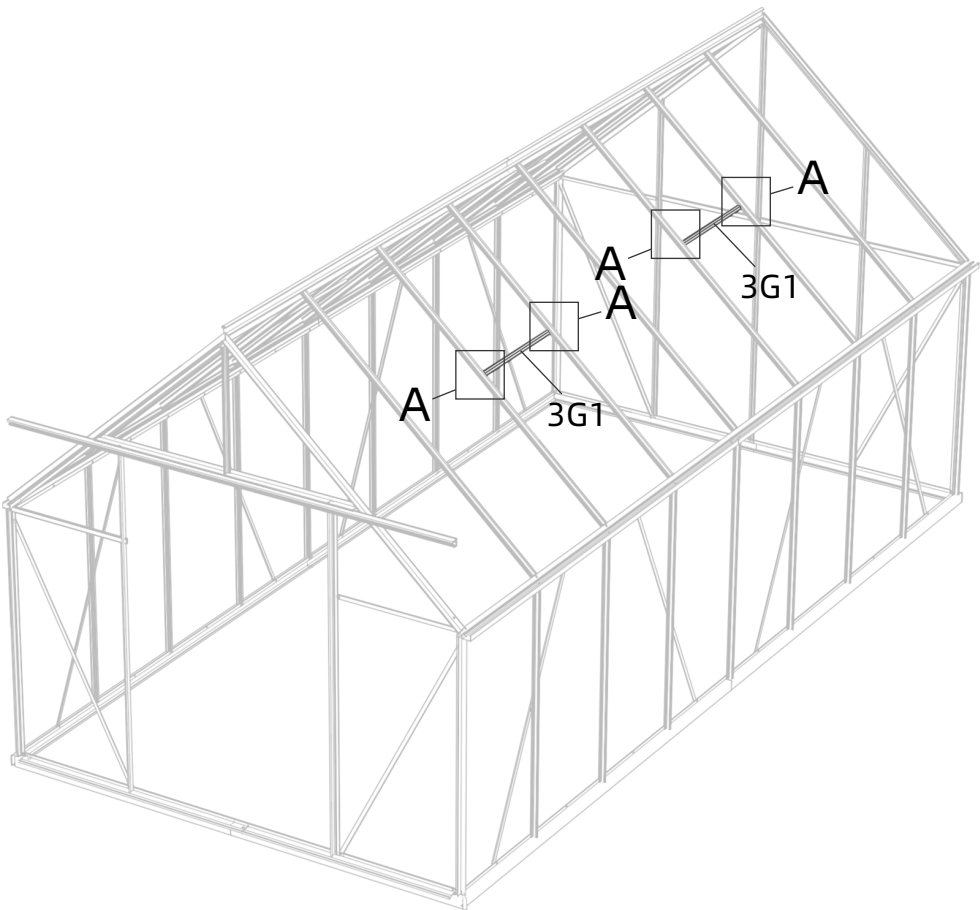
D3

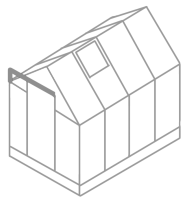


C2

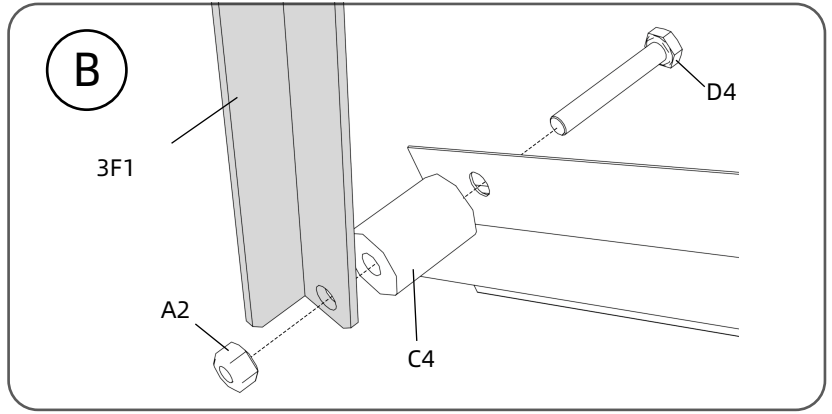
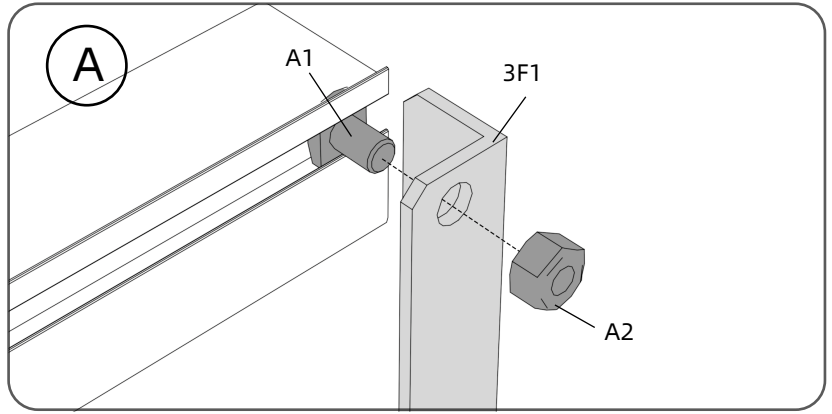
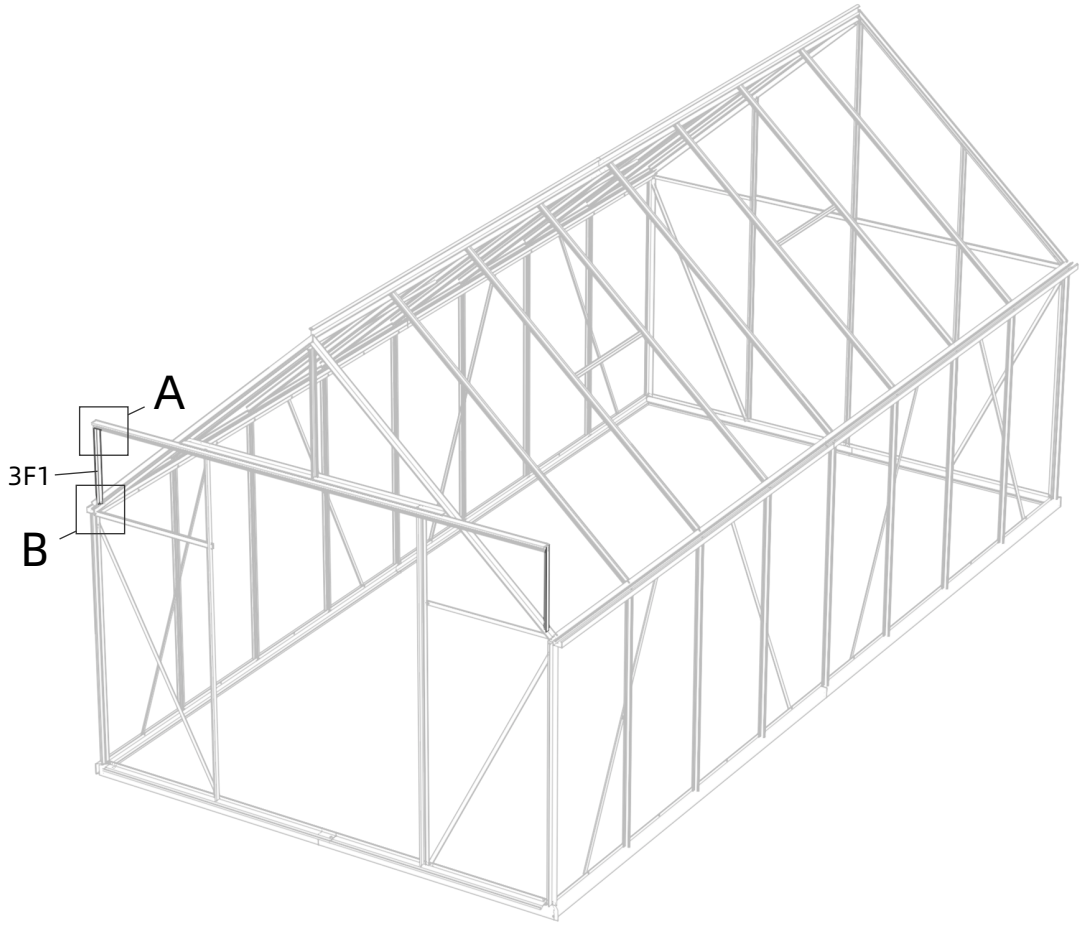


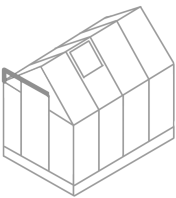
A2





3F1	 x2	A1	 x2
C4	 x2	D4	 x2
			A2	 x4





2BJ17



..... x3

A1

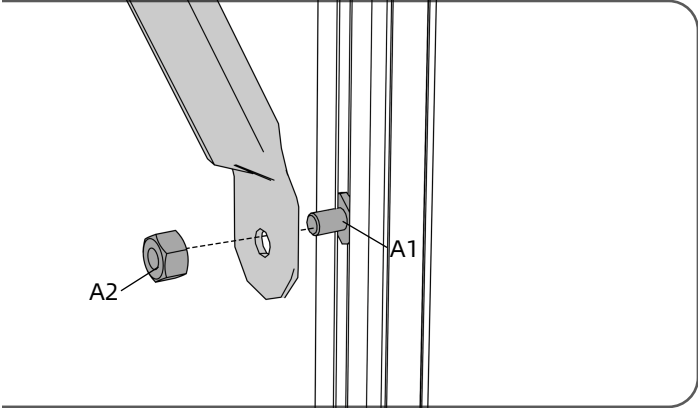
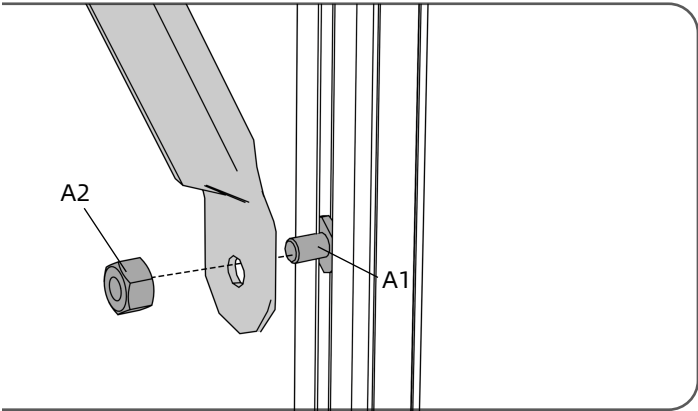
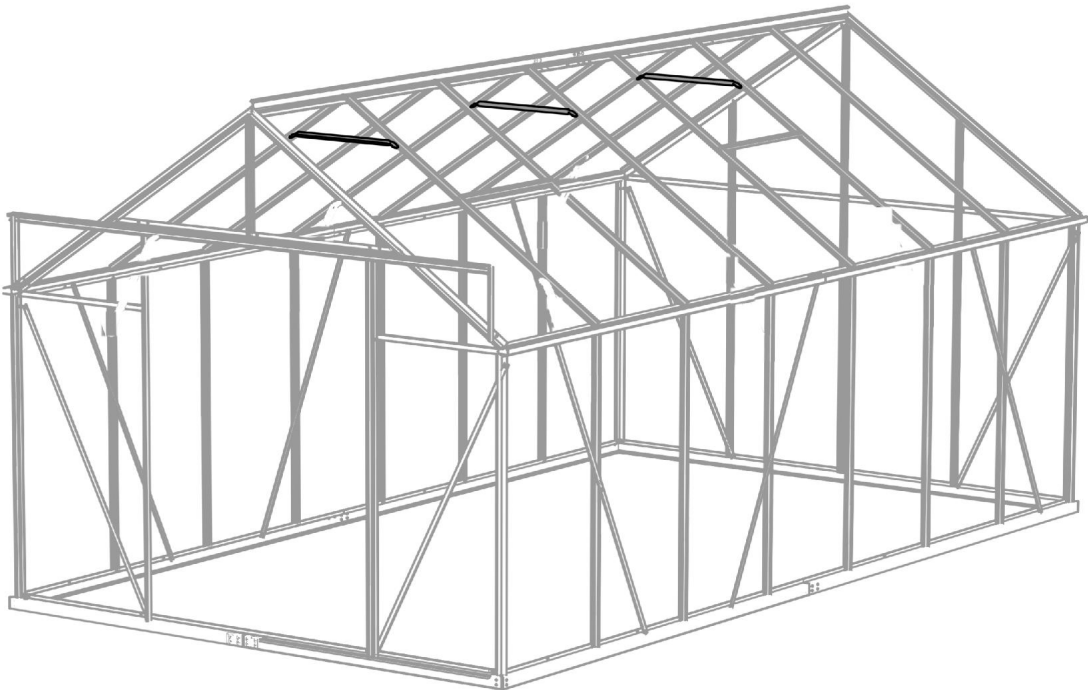


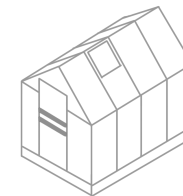
..... x6

A2



..... x6



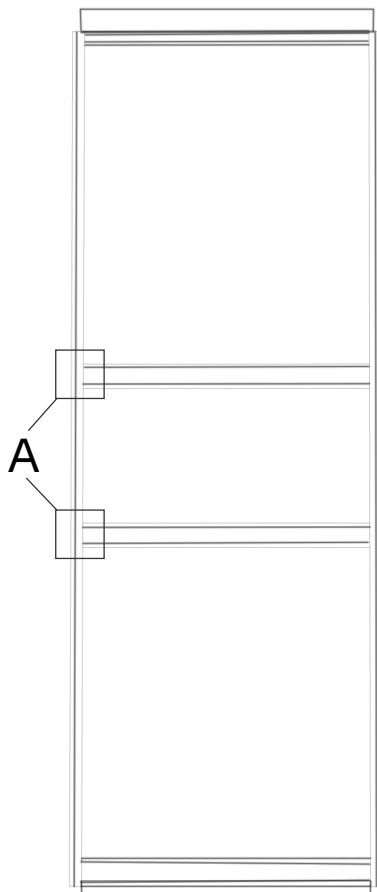


3P1-1 x2

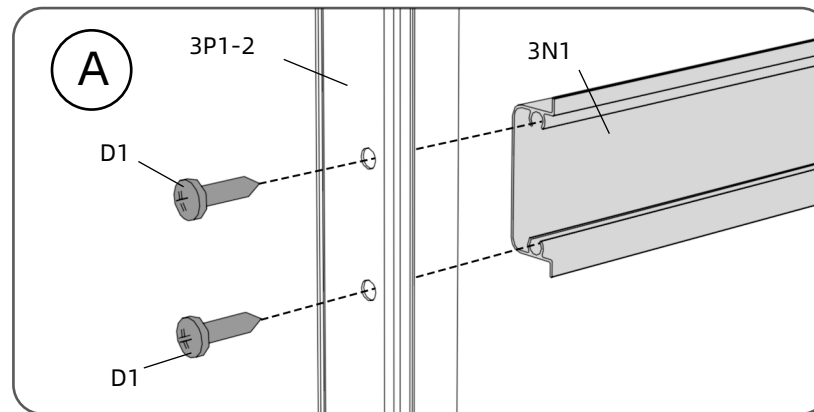
3P1-2 x2

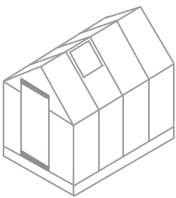
3N1 x4

D1 x16

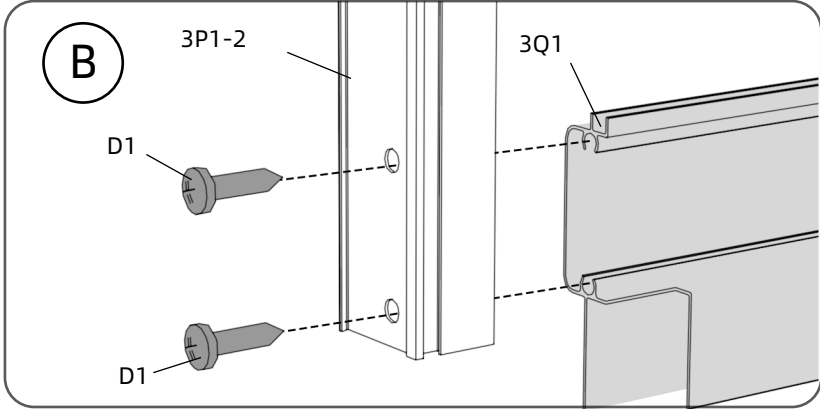
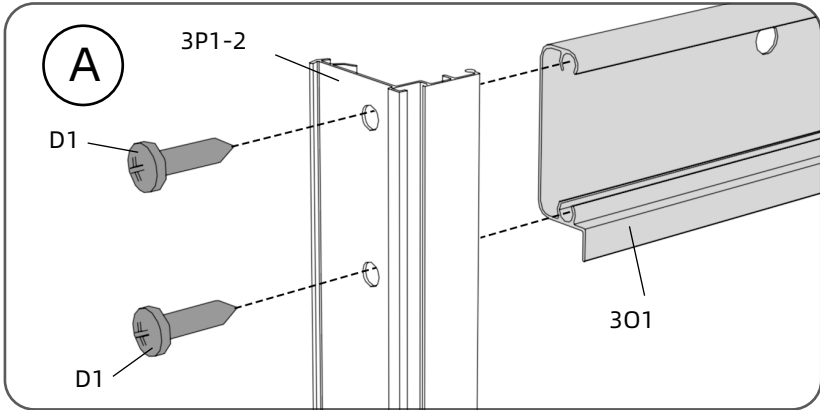
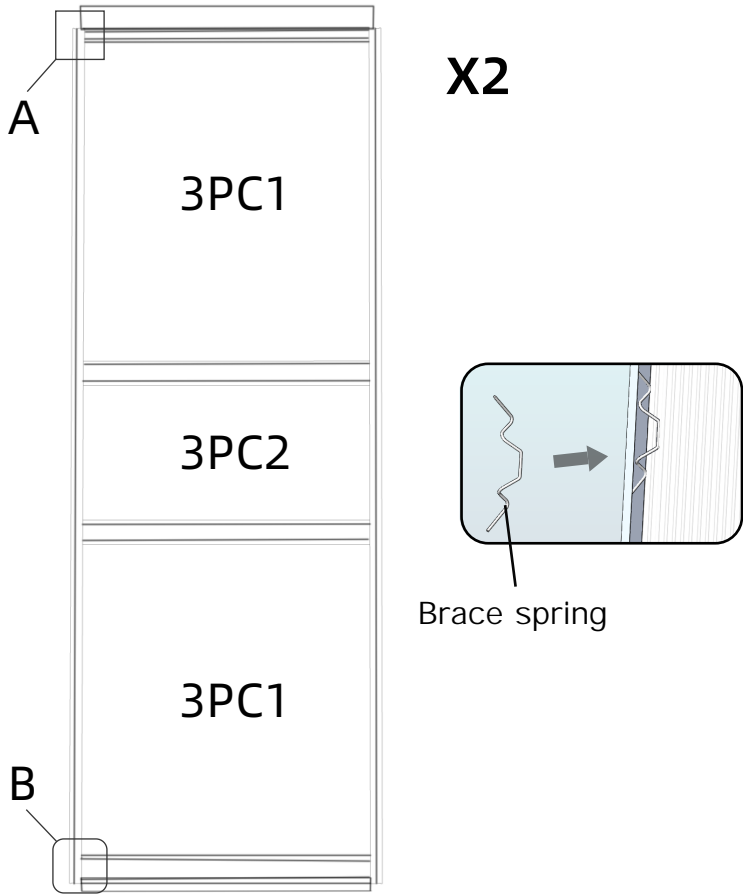


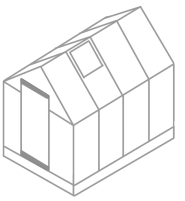
X2



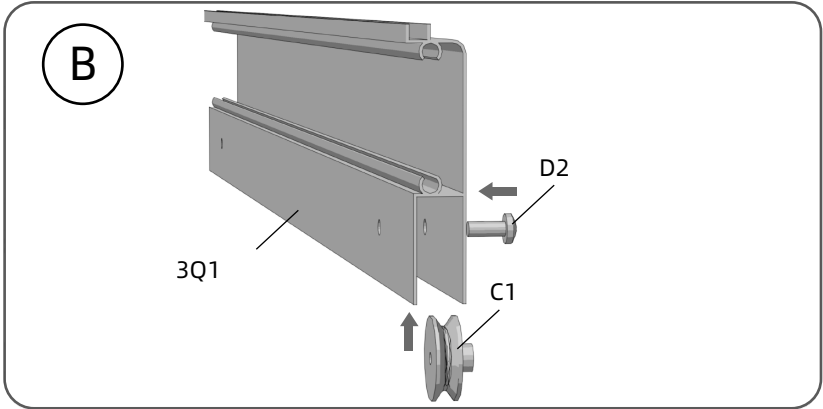
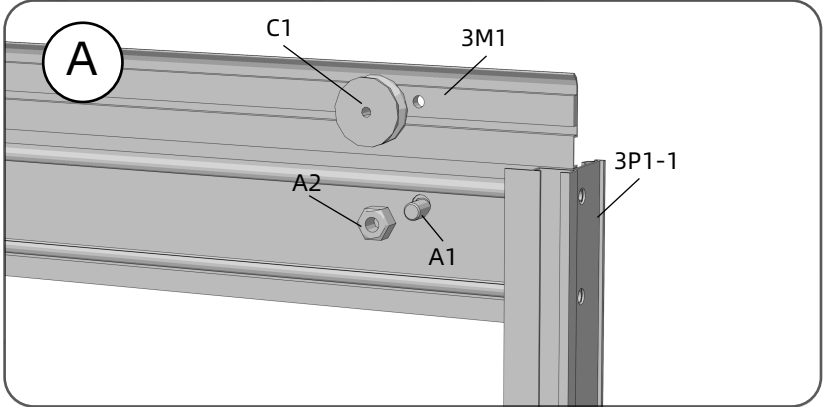
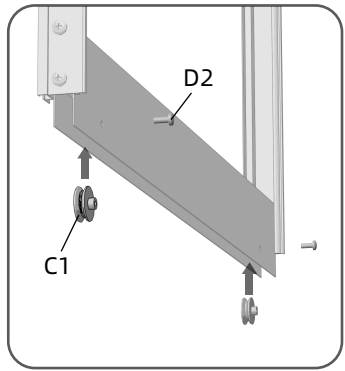
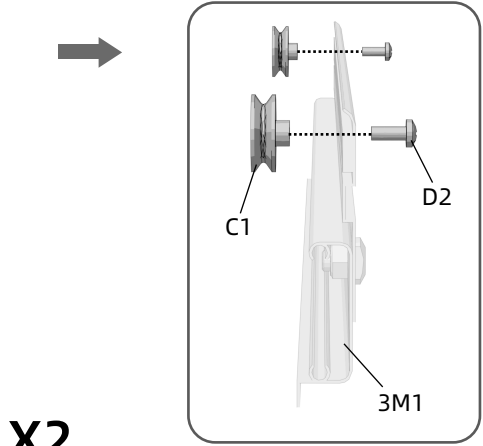
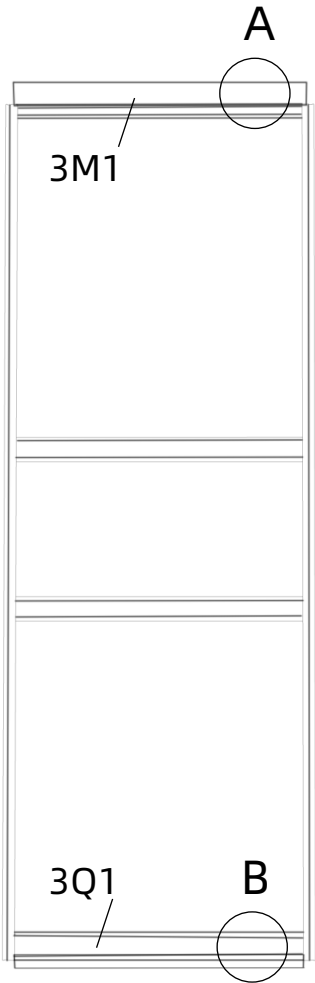


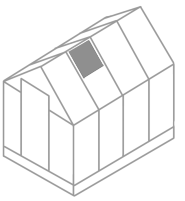
301	 x2	KH	 x24	3PC1	 x4
3Q1	 x2	D1	 x16	3PC2	 x2


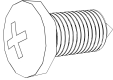

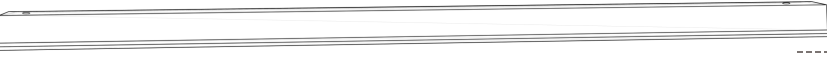
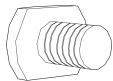
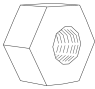




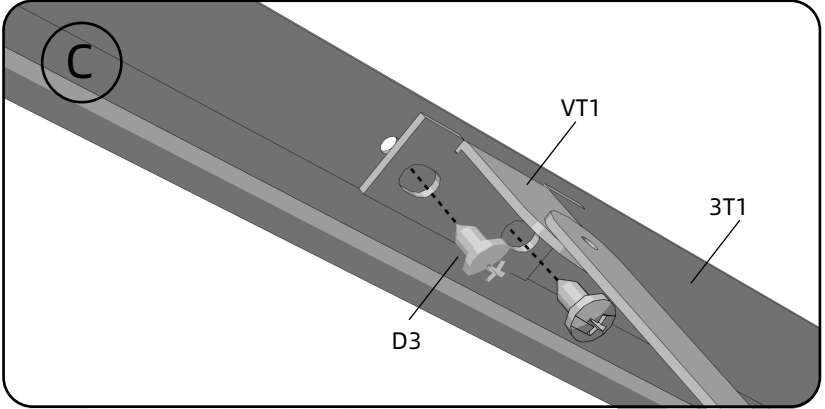
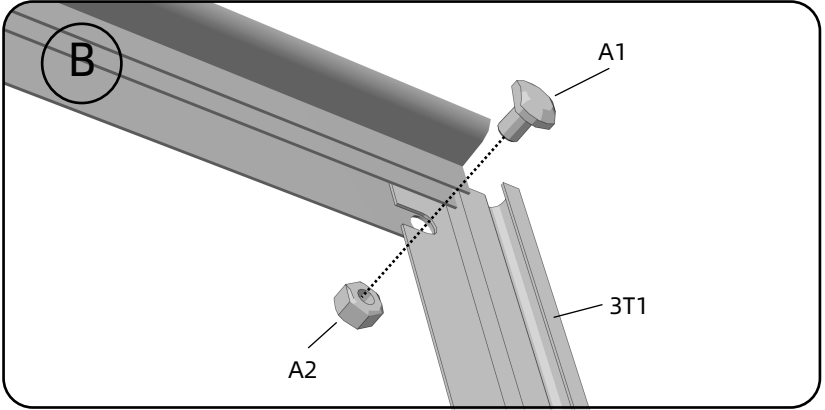
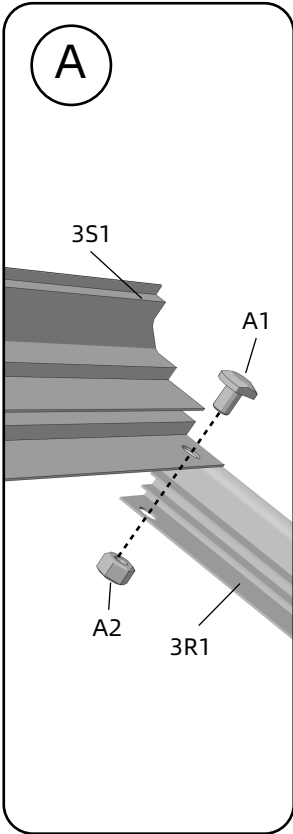
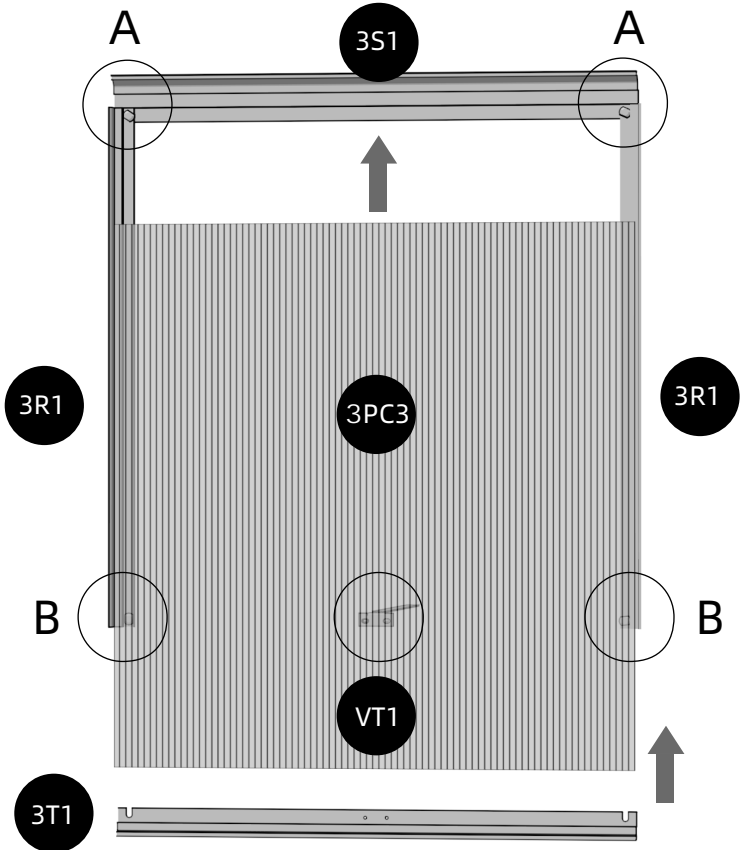


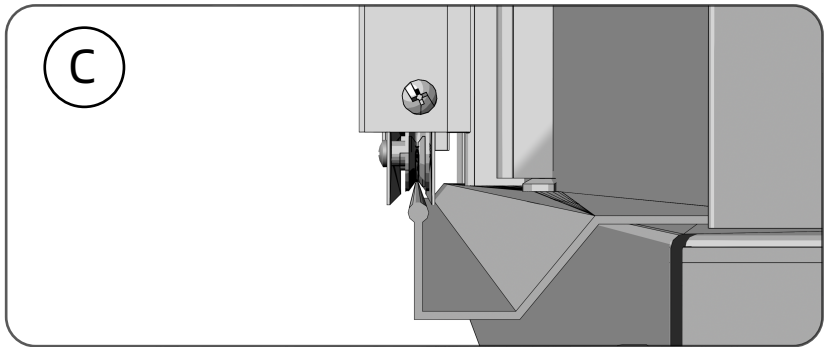
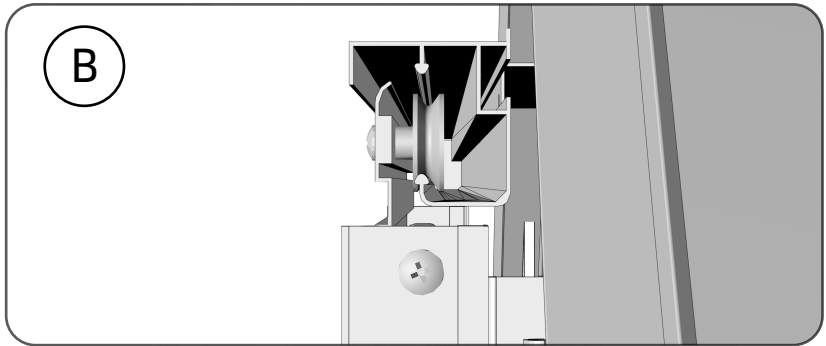
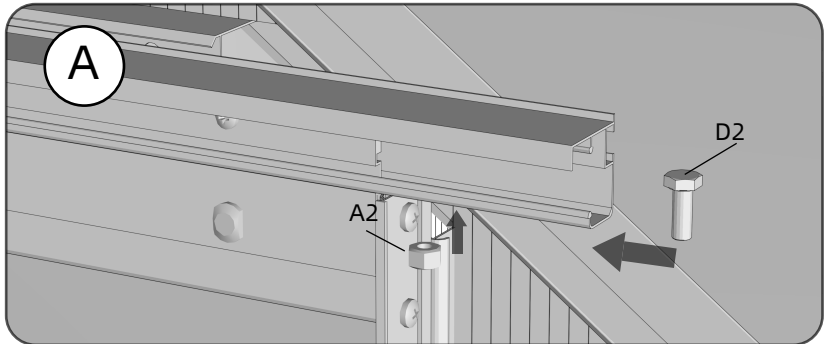
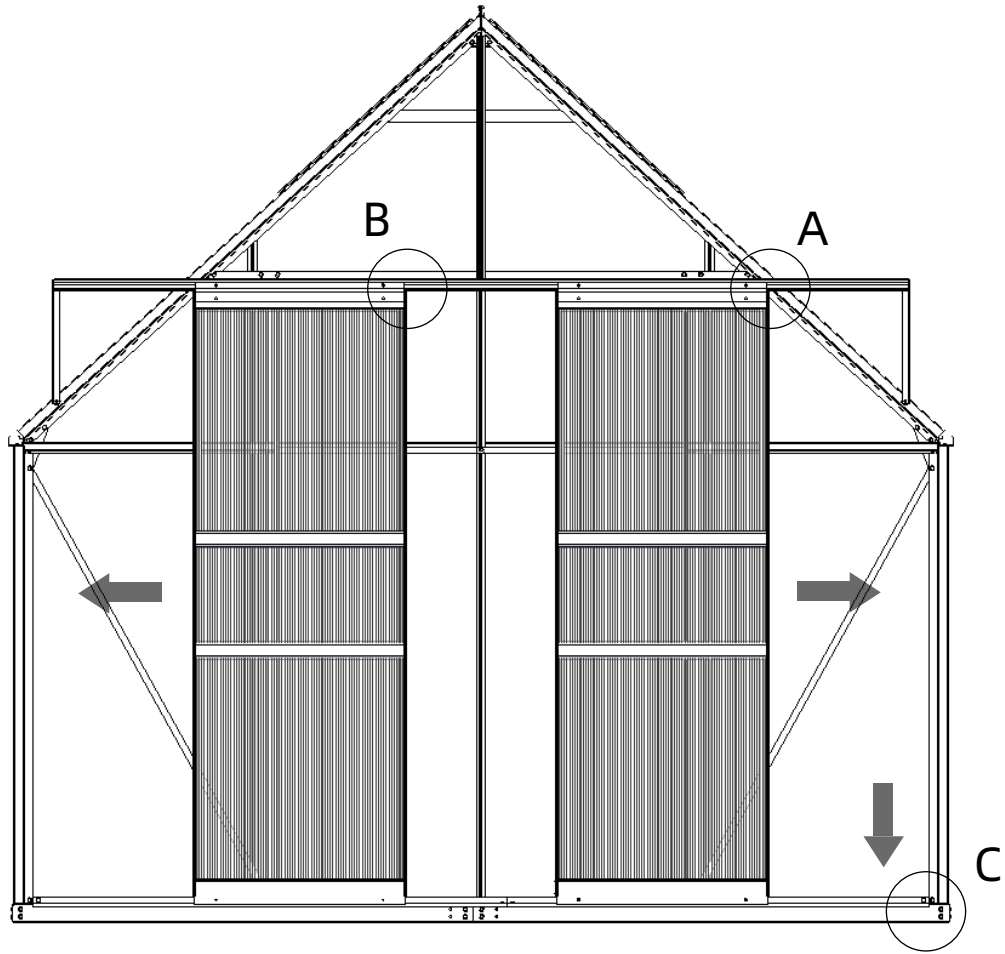
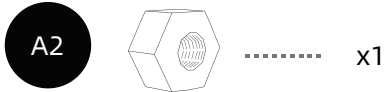
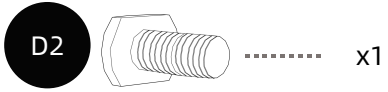
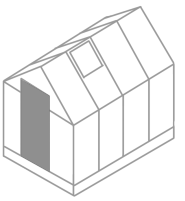
3M1	 x2	C1	 x8	D2	 x8
			A1	 x4	A2	 x4

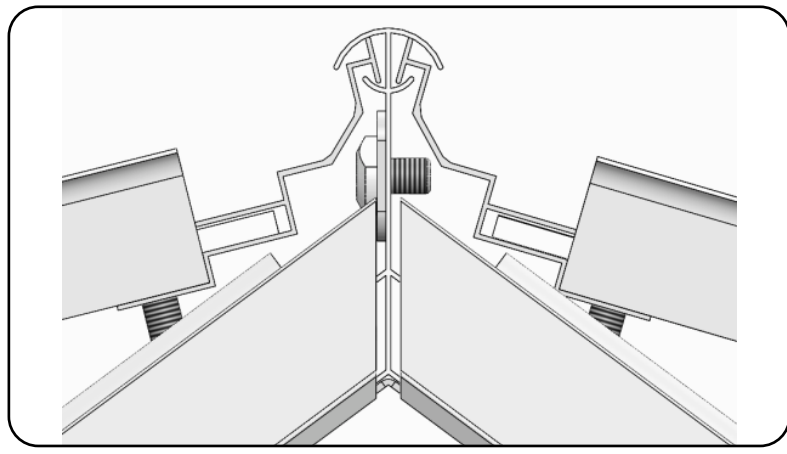
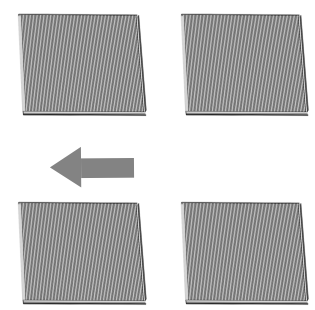
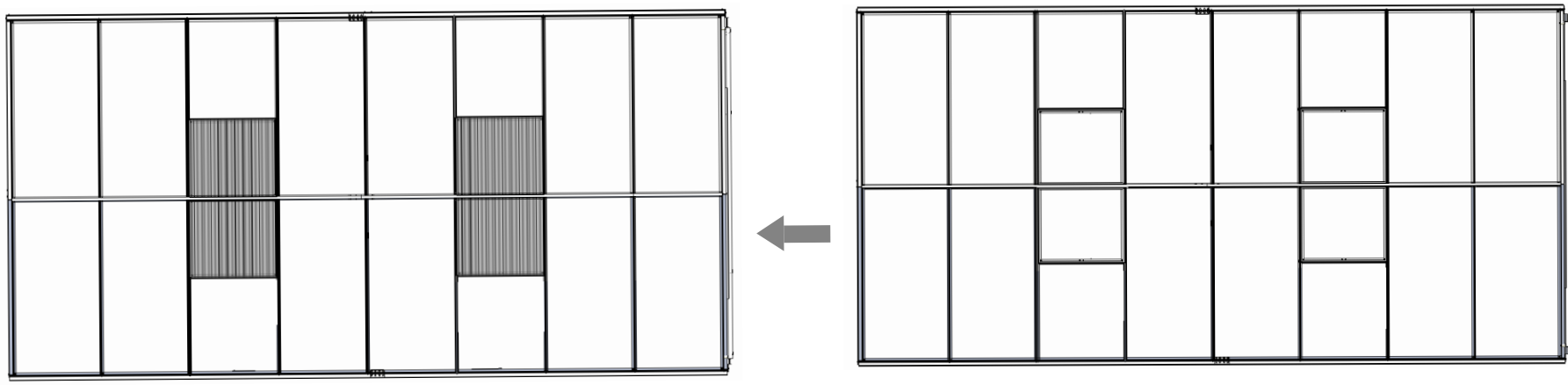
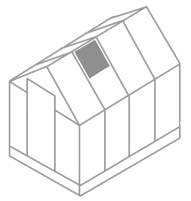


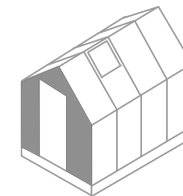


3S1		x4	D3		x8	3PC3		x4
3R1		x8	A1		x16	A2		x16
3T1		x4	VT1		x4			

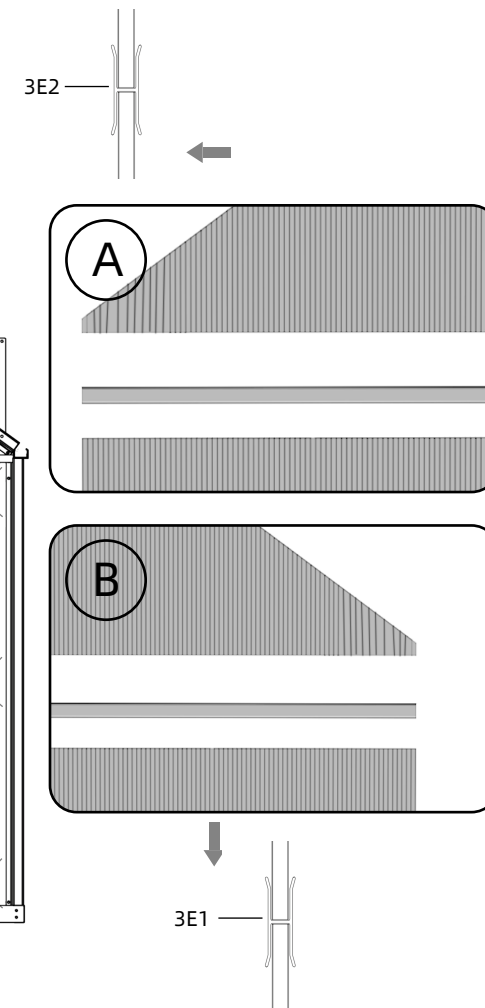
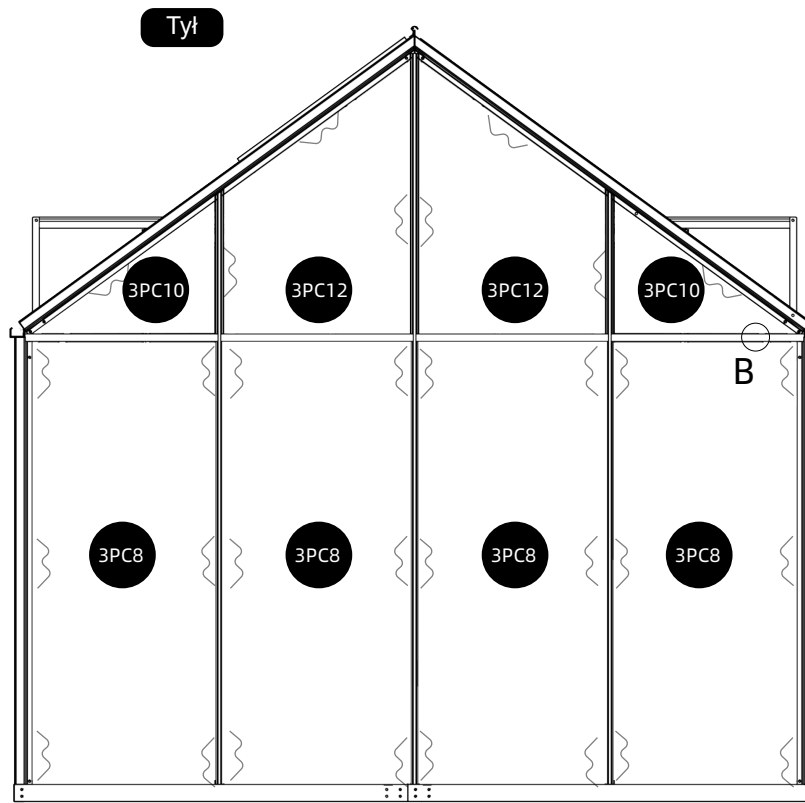
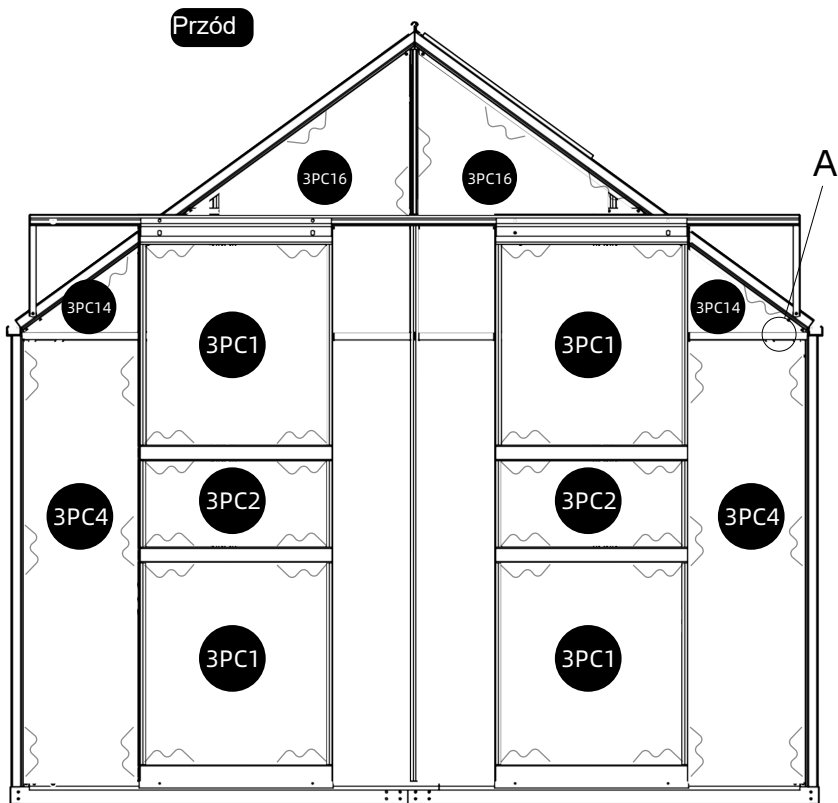


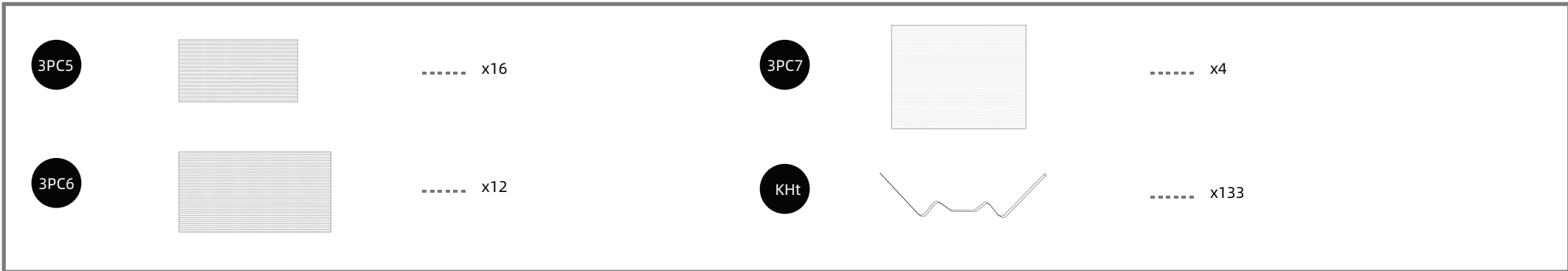
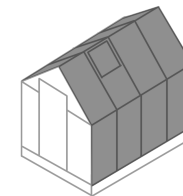




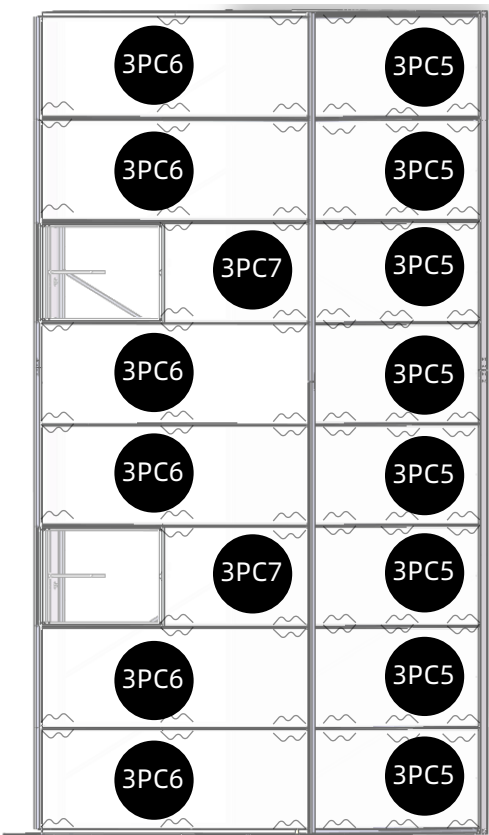


3PC8	 x4	3PC12	 x2	3PC16	 x2	3E1	 x4
3PC10	 x2	3PC14	 x2				KH	 x17
3PC1	 x4	3PC2	 x2				3E2	 x2

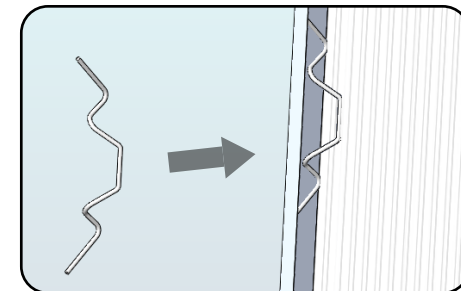
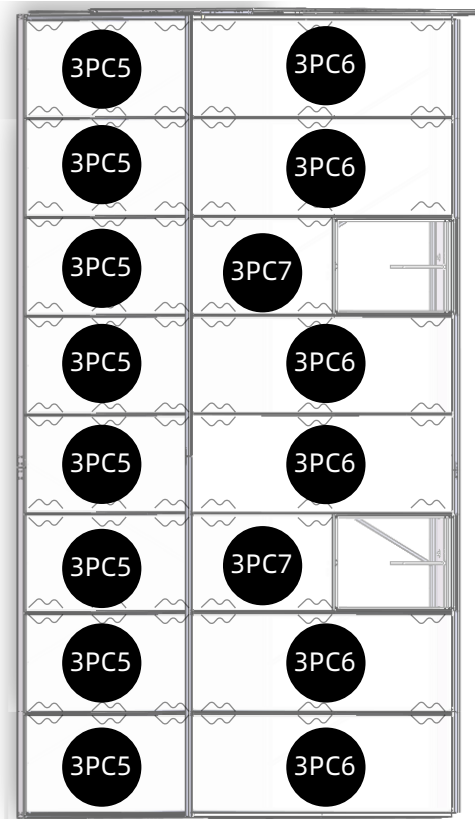




Prawa



Lewa

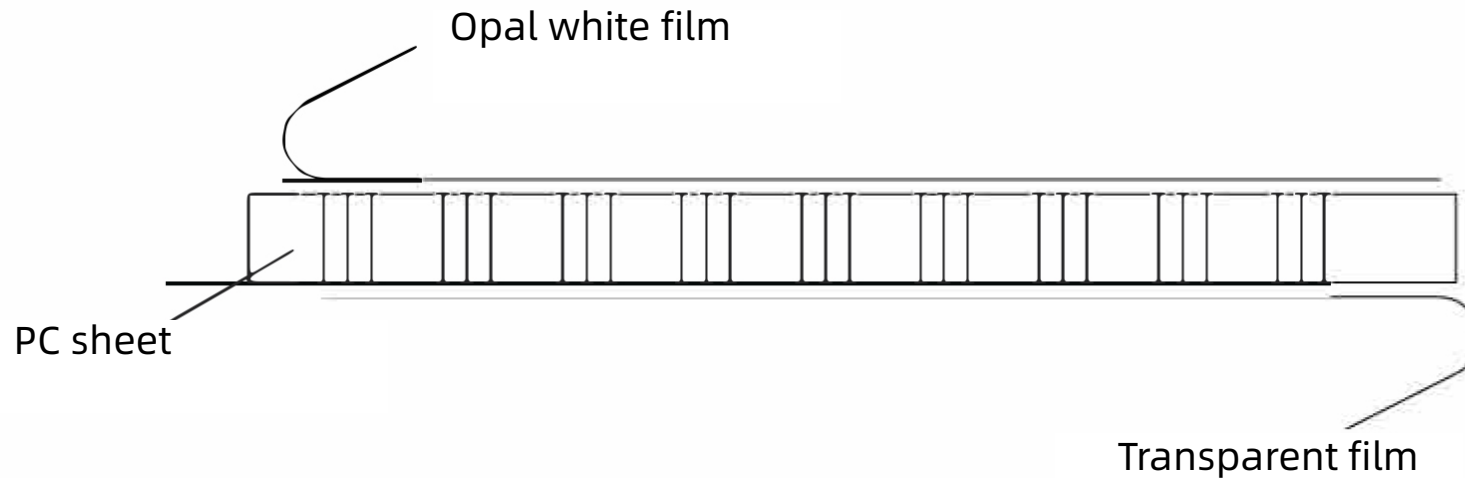


Note: First PC board is assembled into aluminum part.
 Then place spring on the outer surface against PC board as installation direction shown in upper diagram

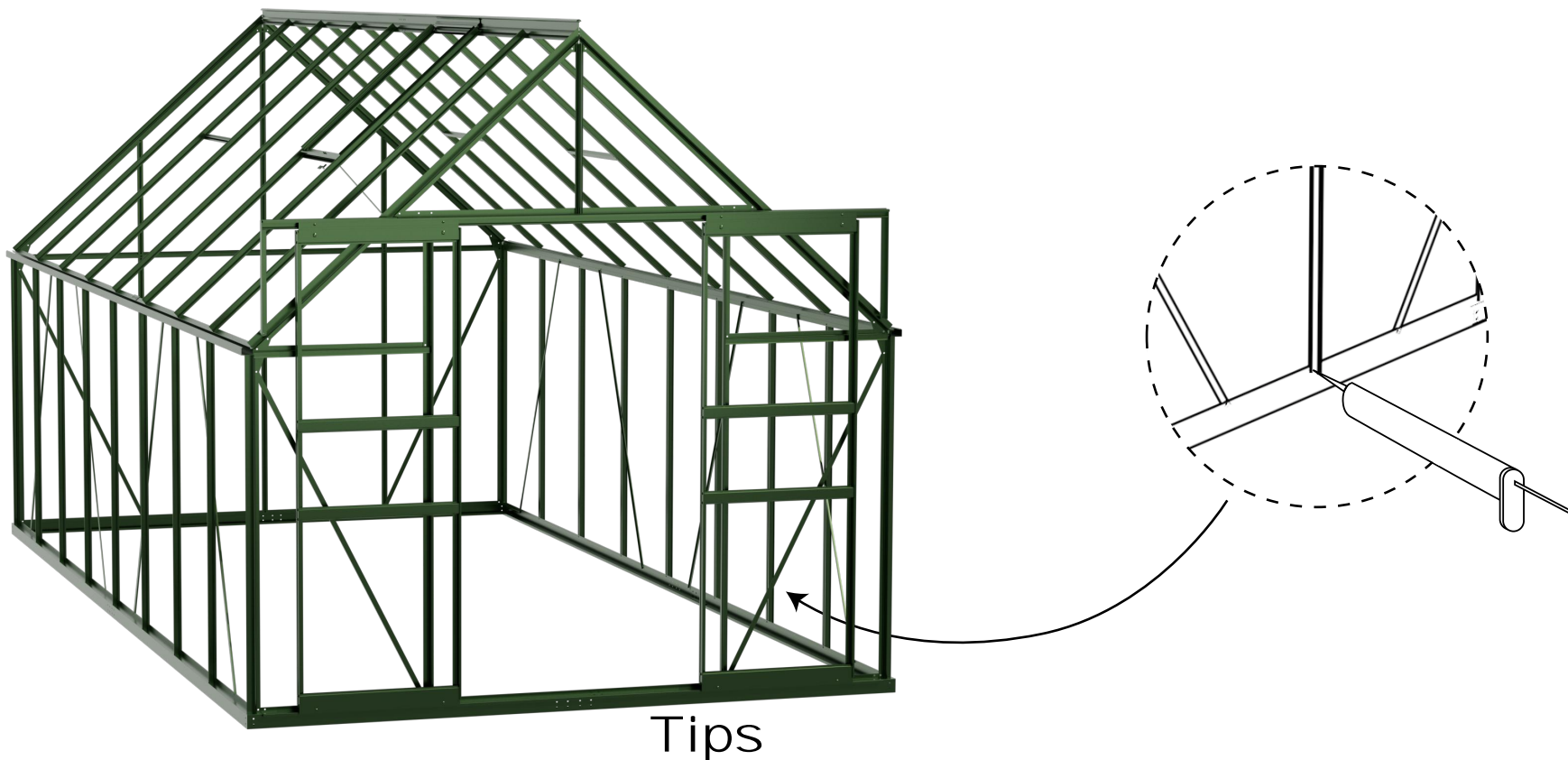
Notes:

1. Remove approximately 5cm of film from all sheet edges before installing. Remove all film immediately after the construction completed.
2. The UV-protected side of the sheet is covered with opal white film and must be face towards the sun.

POLYCARBONATE PANEL



Two side of PC sheet are covered with thin film, one side`s film is transparent, another`s film is opal white. The UV-protect side of the sheet is covered with opal white and must face towards the outside.



It is not necessary but we would advise:

For additional strength, you can also use some glue or tapes between the polycarbonate panel and the aluminium frame to enhance the stability.

Note: Silicone sealant and glue gun are not included in our tool kit. You can buy it locally. Only use silicone sealant suitable for aluminium.