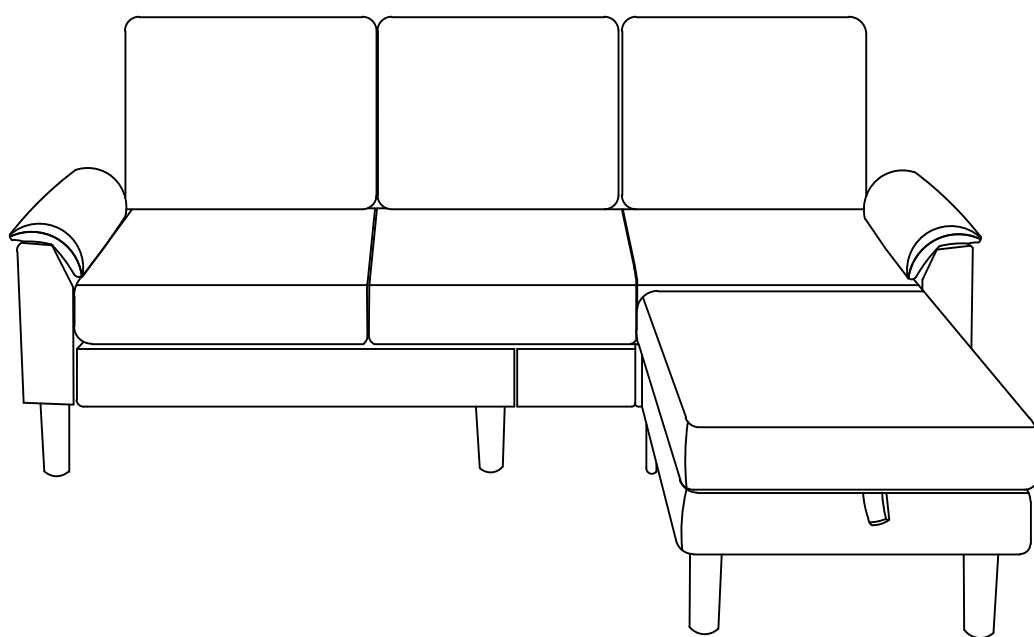


Instruction Manual!





1. ASSEMBLY PREPARATION AND TIPS FOR ASSEMBLY

- 1). Remove all packaging materials, staples and packing straps from the carton.
- 2). Refer to Parts List and Hardware List, and ensure parts and hardware are correct before assembly.
Contact customer service for missing parts.
- 3). Place all wooden parts on a clean, flat and soft surface (e.g. carpet or rug) to prevent scratch and damage to parts.
- 4). Allow ample room for assembly and assemble the product near where the product will be placed.
- 5). During assembly, do not over-tighten any fittings as this may cause damage,
- 6). Always place the product on a flat, level surface.

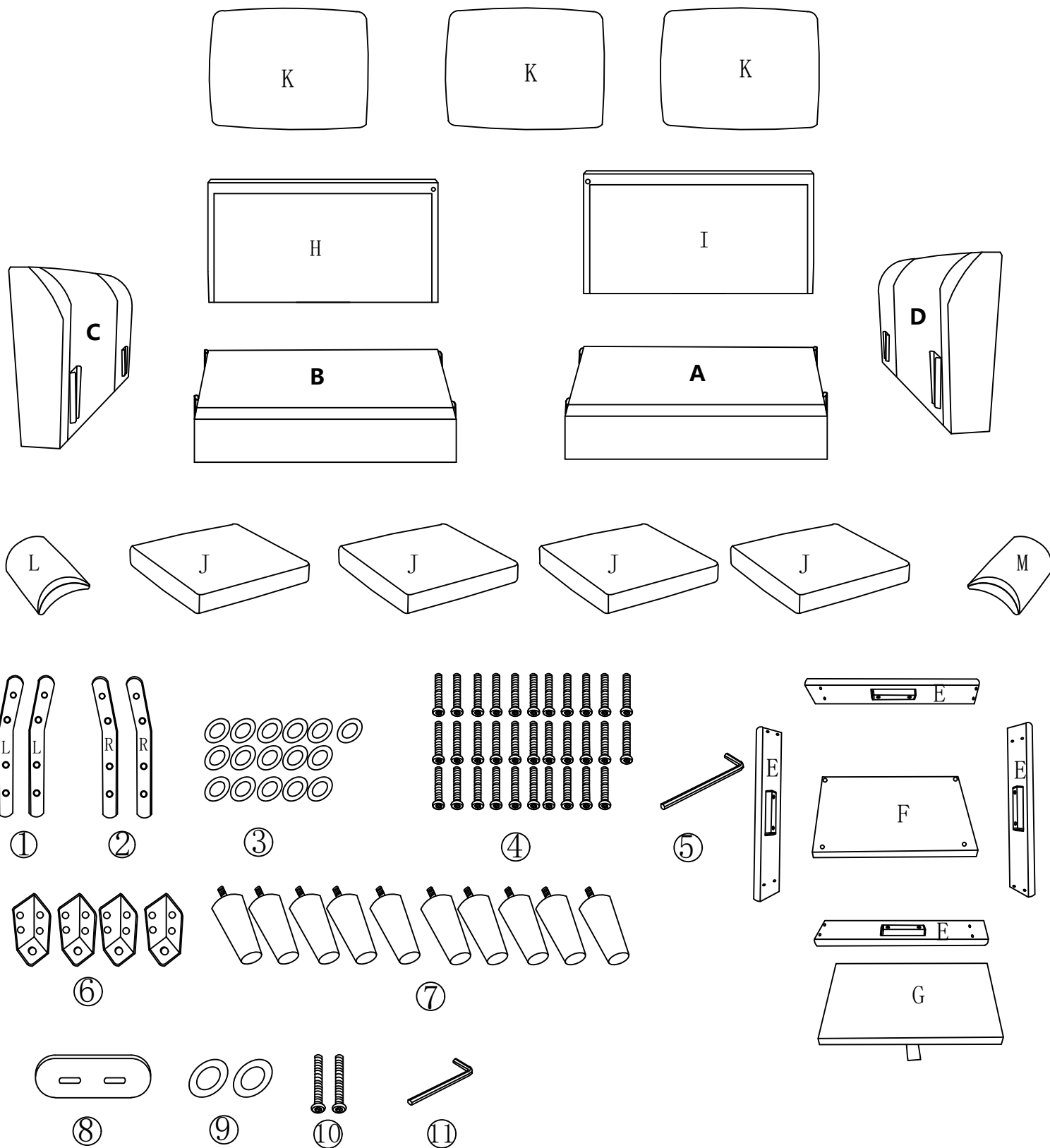
2. RE AND MAINTENANCE

- 1). KEEP ALL HARDWARE PARTS OUT OF REACH OF CHILDREN.
- 2). Wipe clean with a soft, dry cloth; avoid the use of harsh chemicals or household cleaners as they may damage the exterior finish of the furniture.
- 3). Hardware may loosen over time. Periodically, check that all connections are tight; re-tighten as necessary.

3. PS TO PROTECT & CARE FOR YOUR FURNITURE

- 1). Avoid placing your furniture in direct sunlight, as sunlight causes fading.
- 2). Use a protective pad when writing on the furniture surface.
- 3). Use cutting boards and trivets for food preparation in order to avoid damaging the top for the unit

Exploded View

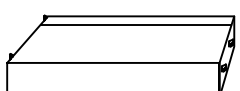
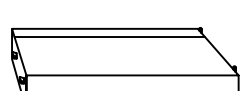

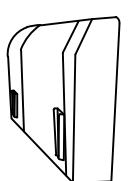

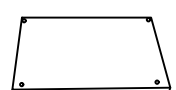
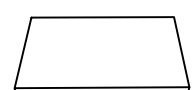

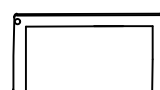
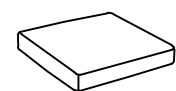




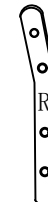





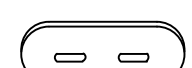






Parts List



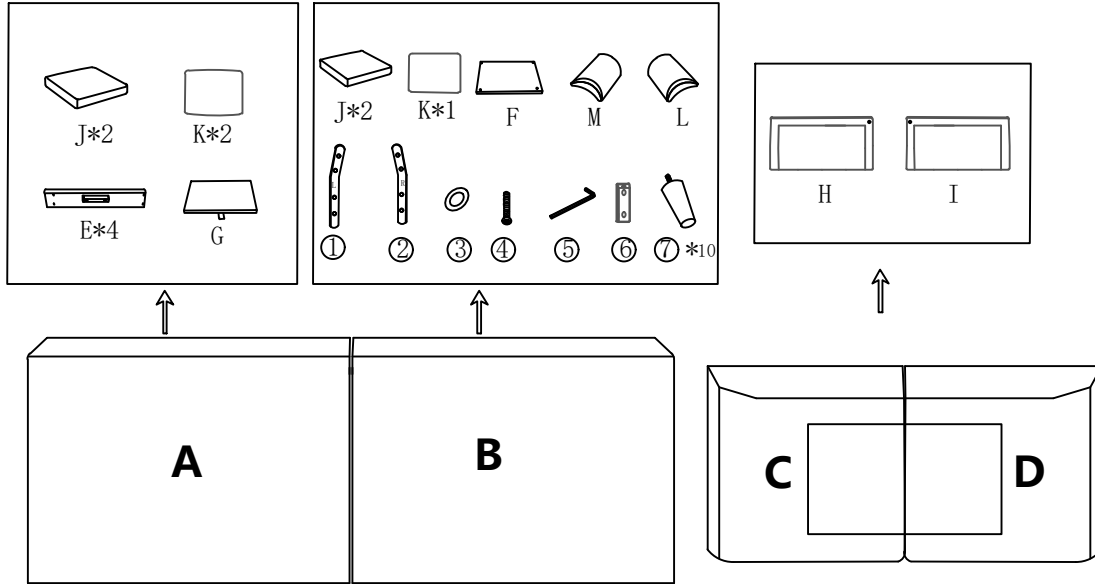
SF-JS-SF88-250710-S

Note: All the parts marked with * are tucked under or with other parts

<p>A</p>  <p>Left seat frame(1)</p>	<p>B</p>  <p>Right seat frame(1)</p>	<p>C</p>  <p>Right armrest(1)</p>	<p>D</p>  <p>Left armrest(1)</p>	
<p>E*</p>  <p>Foot pedal side pane(4)</p>	<p>F*</p>  <p>Foot pedal base plate(1)</p>	<p>G*</p>  <p>Foot pedal panel(1)</p>	<p>H*</p>  <p>Right backrest(1)</p>	
<p>I*</p>  <p>Left backrest(1)</p>	<p>J*</p>  <p>Seat cushion(4)</p>	<p>K*</p>  <p>Back cushion(3)</p>	<p>L*</p>  <p>Right armrest soft bag(1)</p>	
<p>M*</p>  <p>Left armrest soft bag(1)</p>	<p>①*</p>  <p>Left bracket(2)</p>	<p>②*</p>  <p>Right bracket(2)</p>	<p>③*</p>  <p>16mm Colour gasket(16)</p>	
<p>④*</p>  <p>6*16 Colour screw(32)</p>	<p>⑤*</p>  <p>M4*100*30 Wrench(1)</p>	<p>⑥*</p>  <p>Foot pedal hardware(4)</p>	<p>⑦*</p>  <p>Sofa foot(10)</p>	<p>⑧*</p>  <p>40x100x2 Black metal plate(1)</p>
<p>⑨*</p>  <p>13mm Black gasket(2)</p>	<p>⑩*</p>  <p>6x25 Black screw(2)</p>	<p>⑪*</p>  <p>M4*65*23 Wrench(1)</p>	 <p>Instruction Manual(1)</p>	<p>PAGE 4/13</p>

Step 1

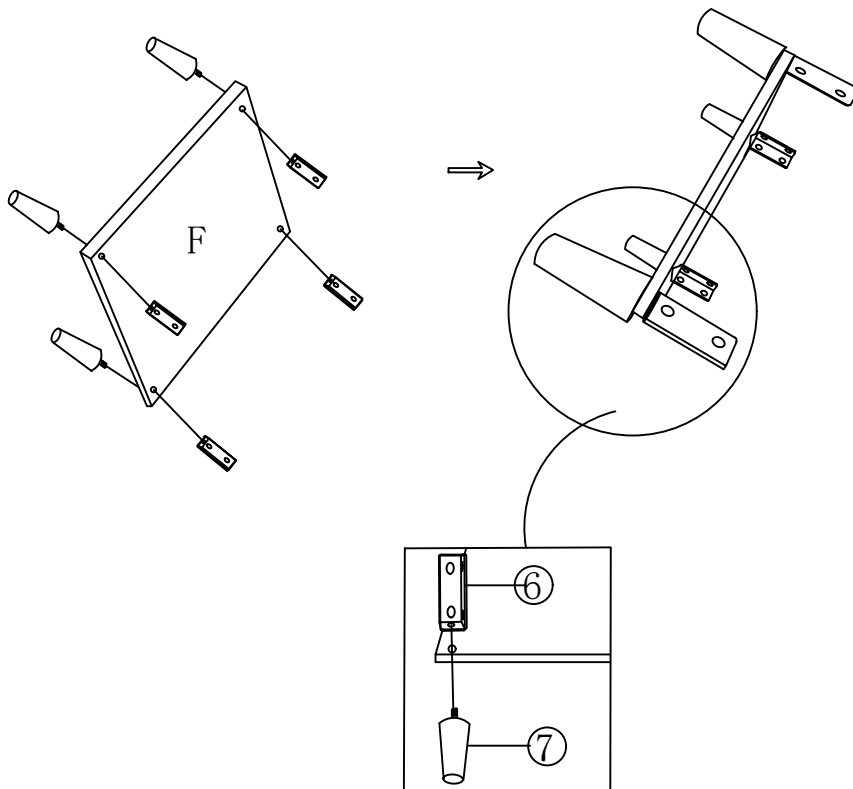
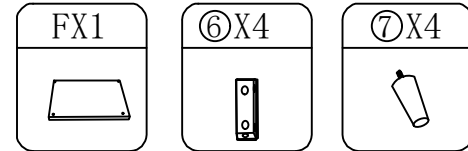
Get all the hidden parts out of A, B and C, D



Step 2

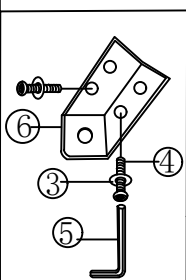
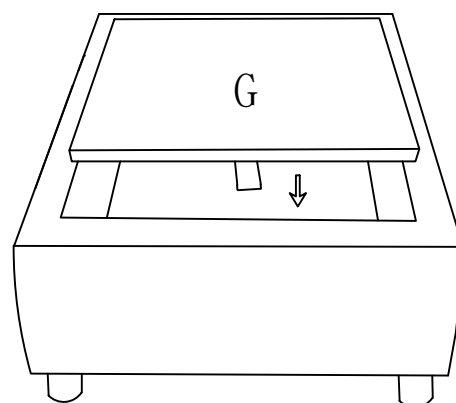
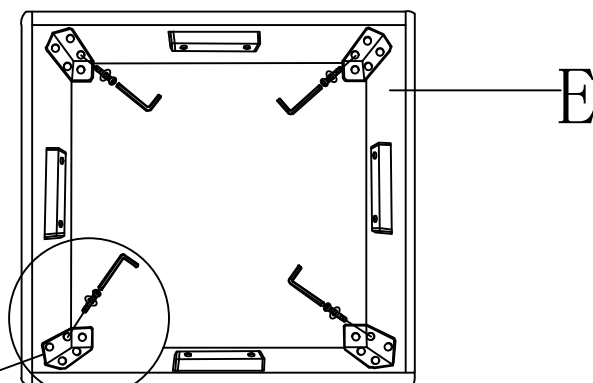
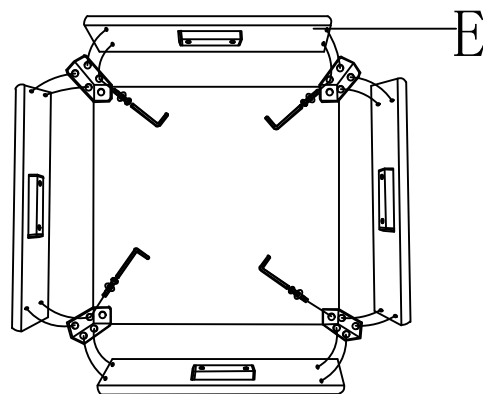
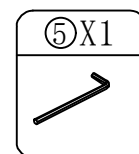
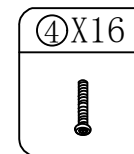
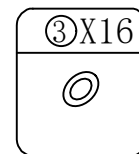
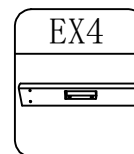
Fix sofa foot to the sofa pedal base plate and the foot pedal hardware.

Note: Foot pedal hardware faces the smooth surface of the sofa pedal base



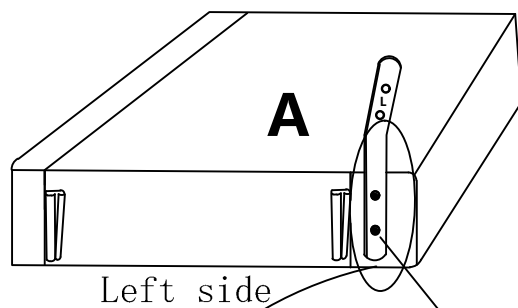
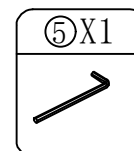
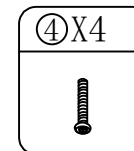
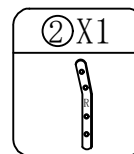
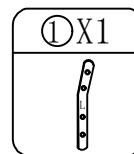
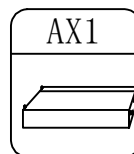
Step 3

Fix the side panel to the foot pedal hardware
Note: Do not tighten the screws to the foot pedal hardware till you put all of them in place

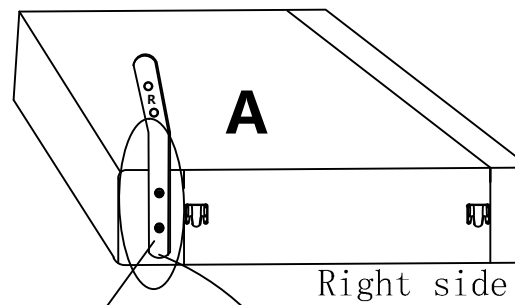


Step 4

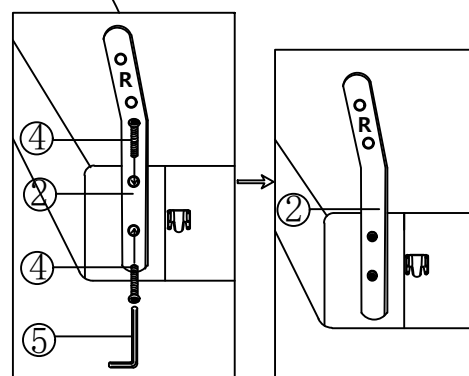
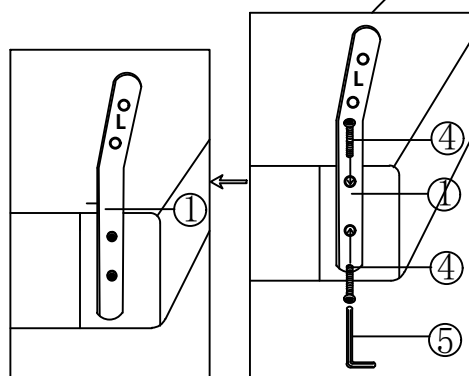
Fix Left bracket ① and Right bracket ② to both sides of seat frame A



Left side

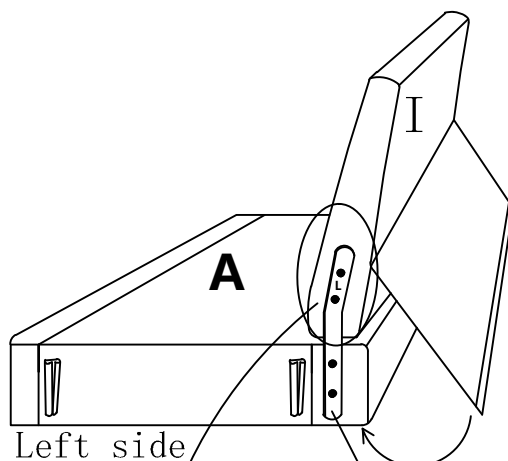
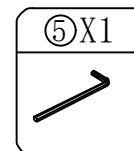
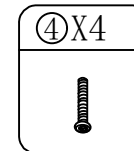
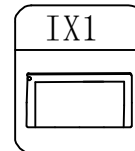


Right side

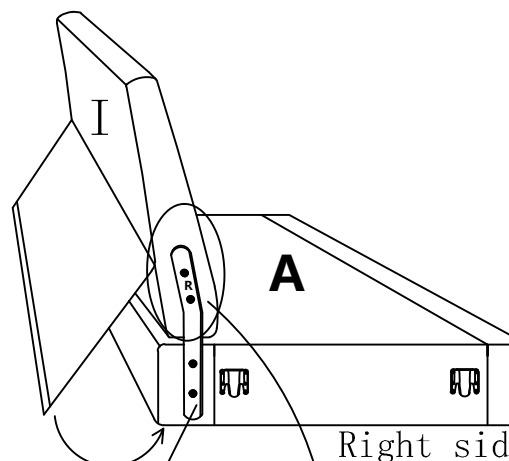


Step 5

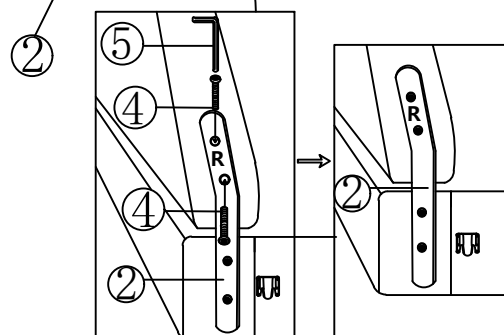
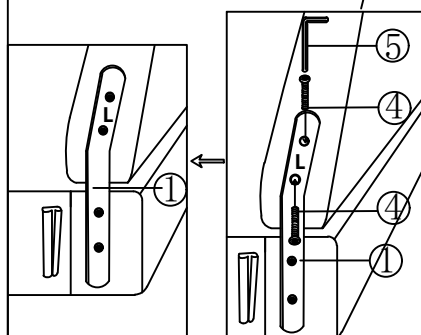
Fix backrest I to seat frame A
Stick the back cloth to the bottom of A



Left side

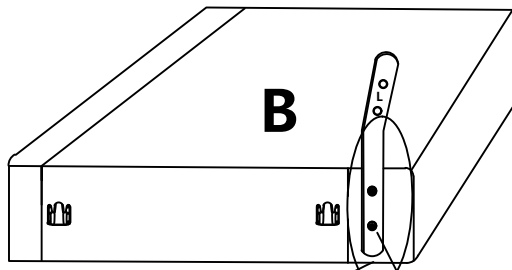
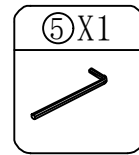
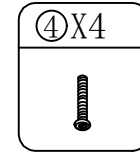
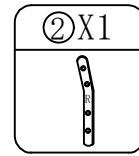
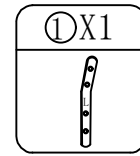
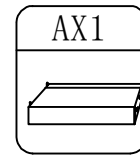


Right side

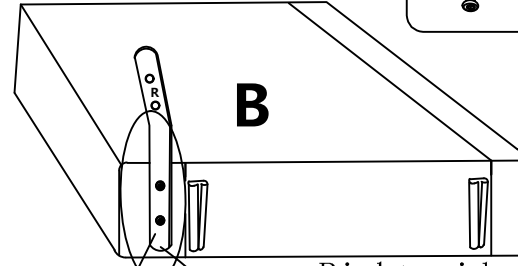


Step 6

Fix Left bracket ① and Right bracket ② to both sides of seat frame B



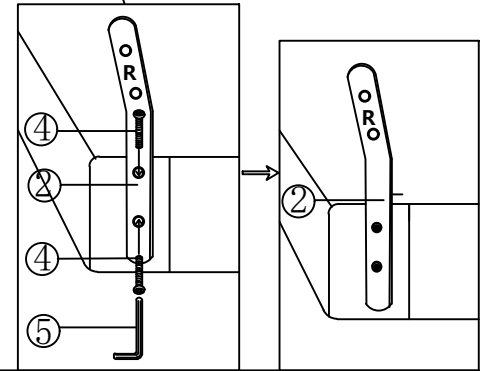
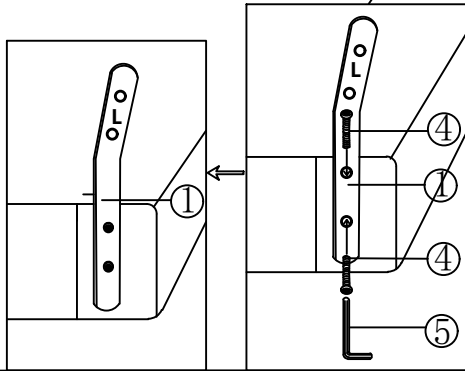
Left side



Right side

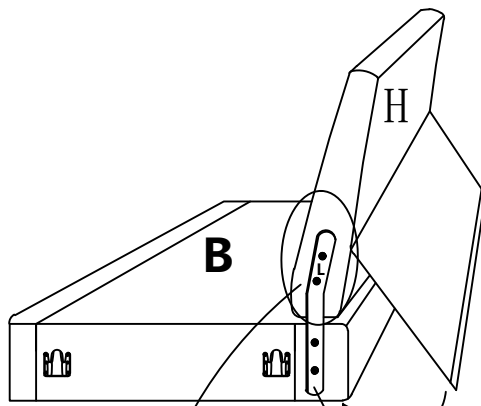
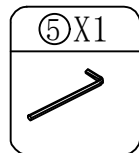
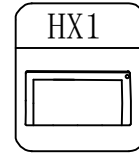
①

②

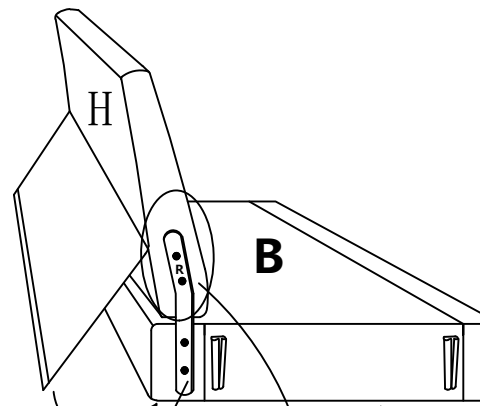


Step 7

Fix backrest I to seat frame B
Stick the back cloth to the bottom of B



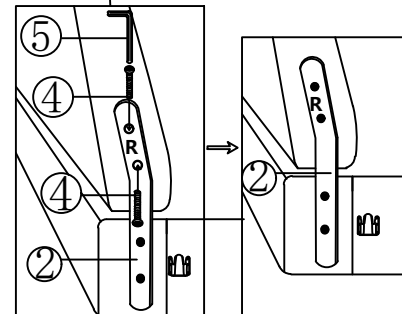
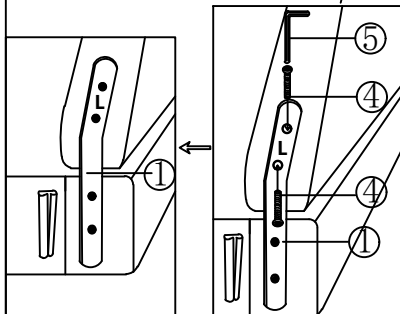
Left side



Right side

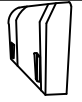
①

②

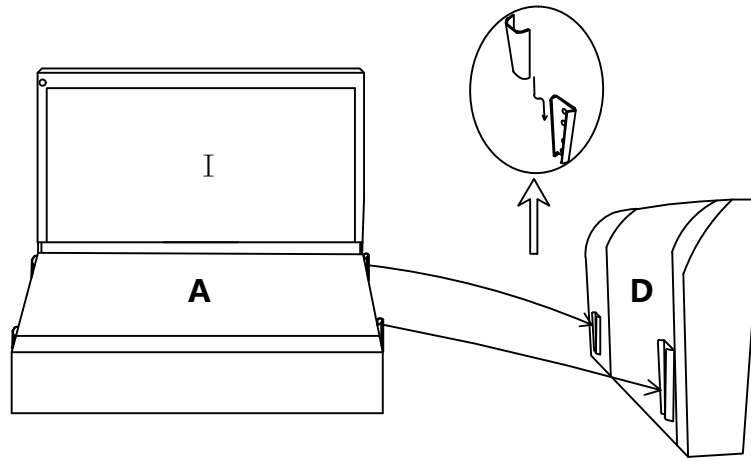


Step 8

DX1



Insert the left seat frame into the left armrest

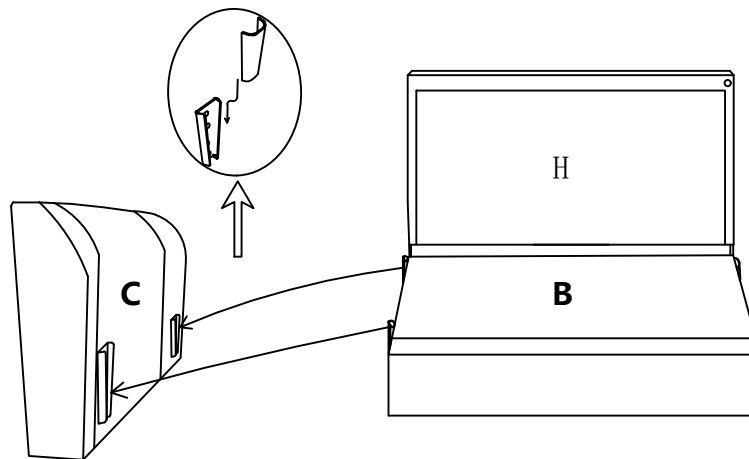


Step 9

CX1

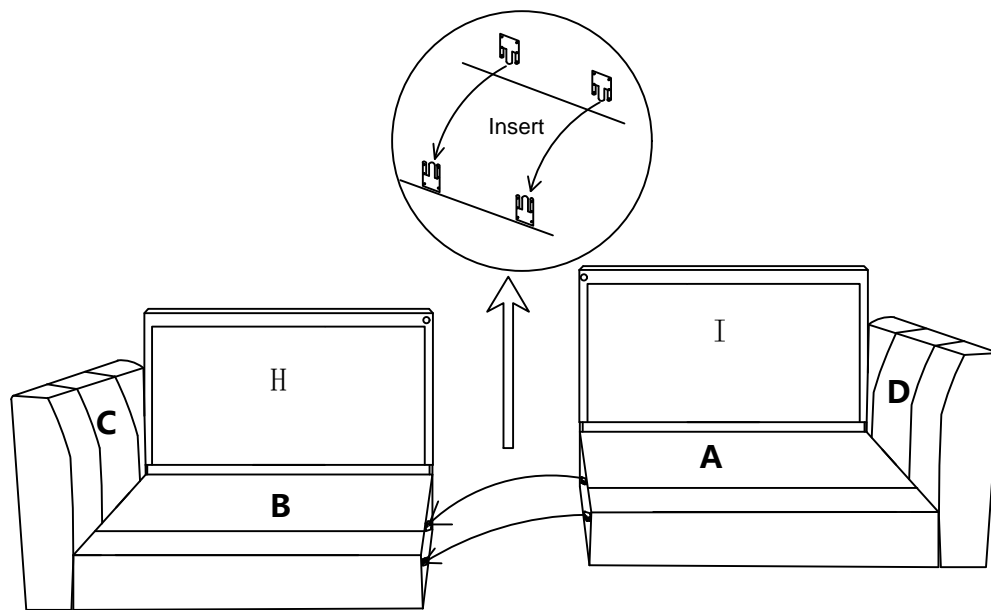


Insert the right seat frame into the right armrest



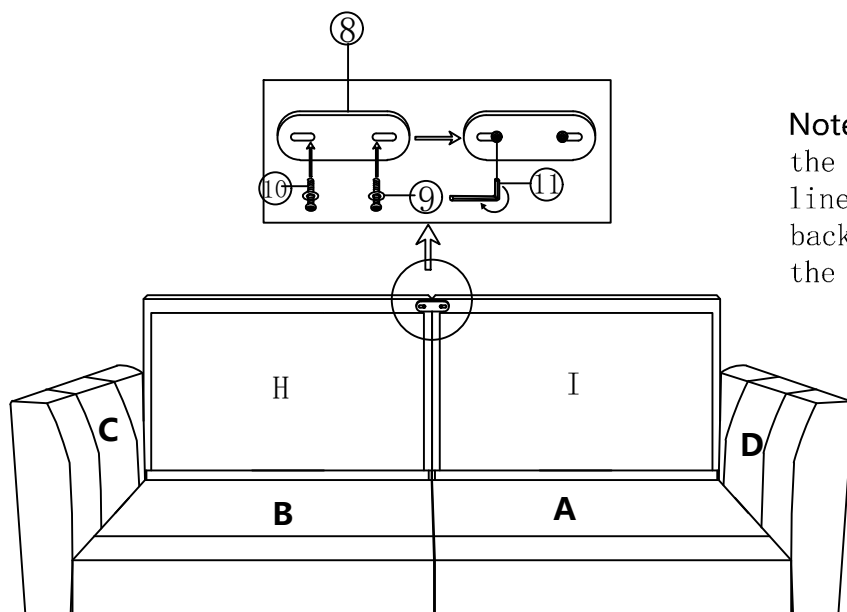
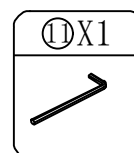
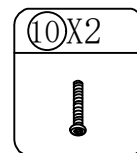
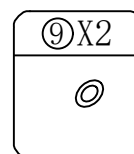
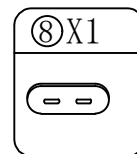
Step 10

Insert Left seat frame into the right seat frame



Step 11

Lock the backrest with the metal plate

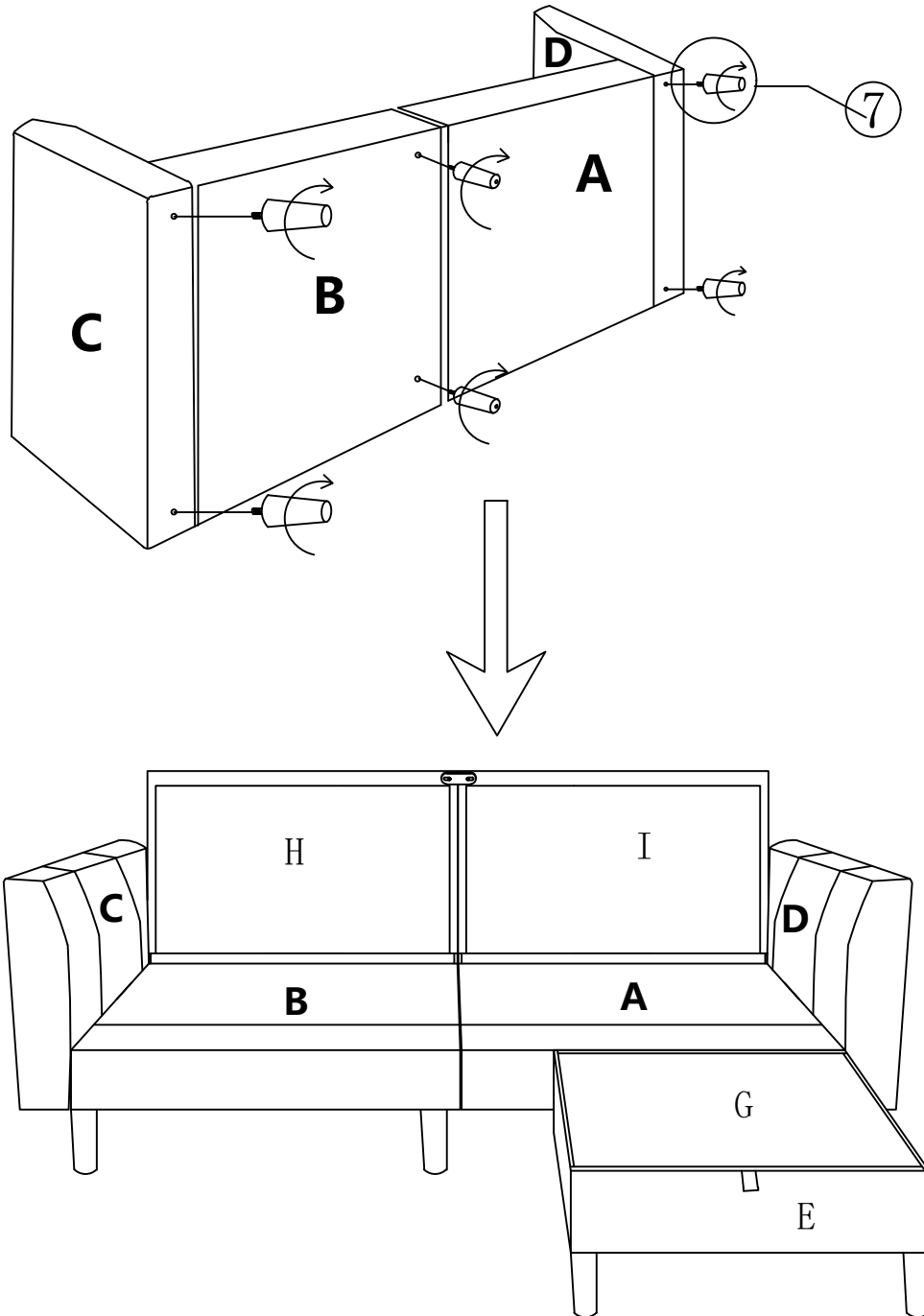


Note: This design is for reinforcing the back, sometimes the holes may not line up because they are at different back boards. It's normal so long as the metal plate can fit into place.

Step 12

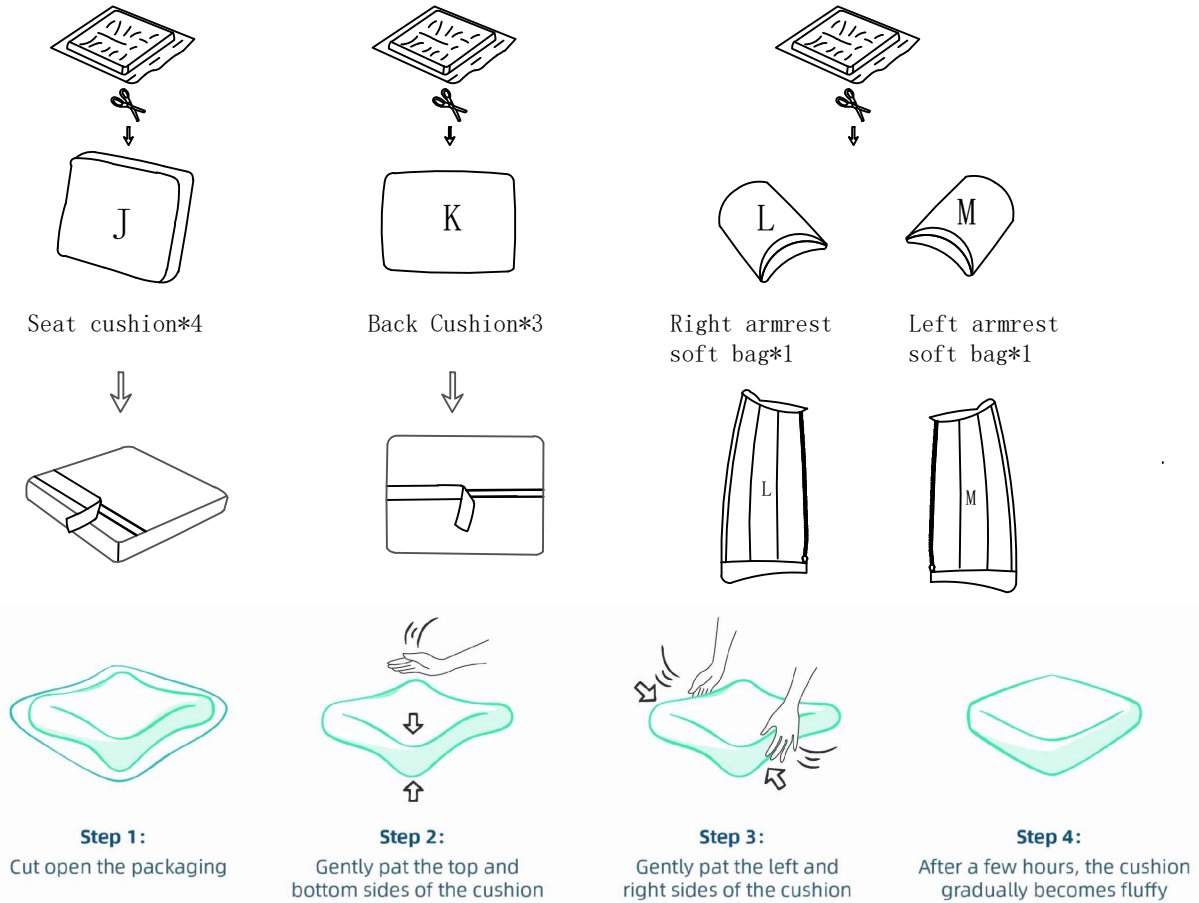
Insert the sofa feet

⑦X6



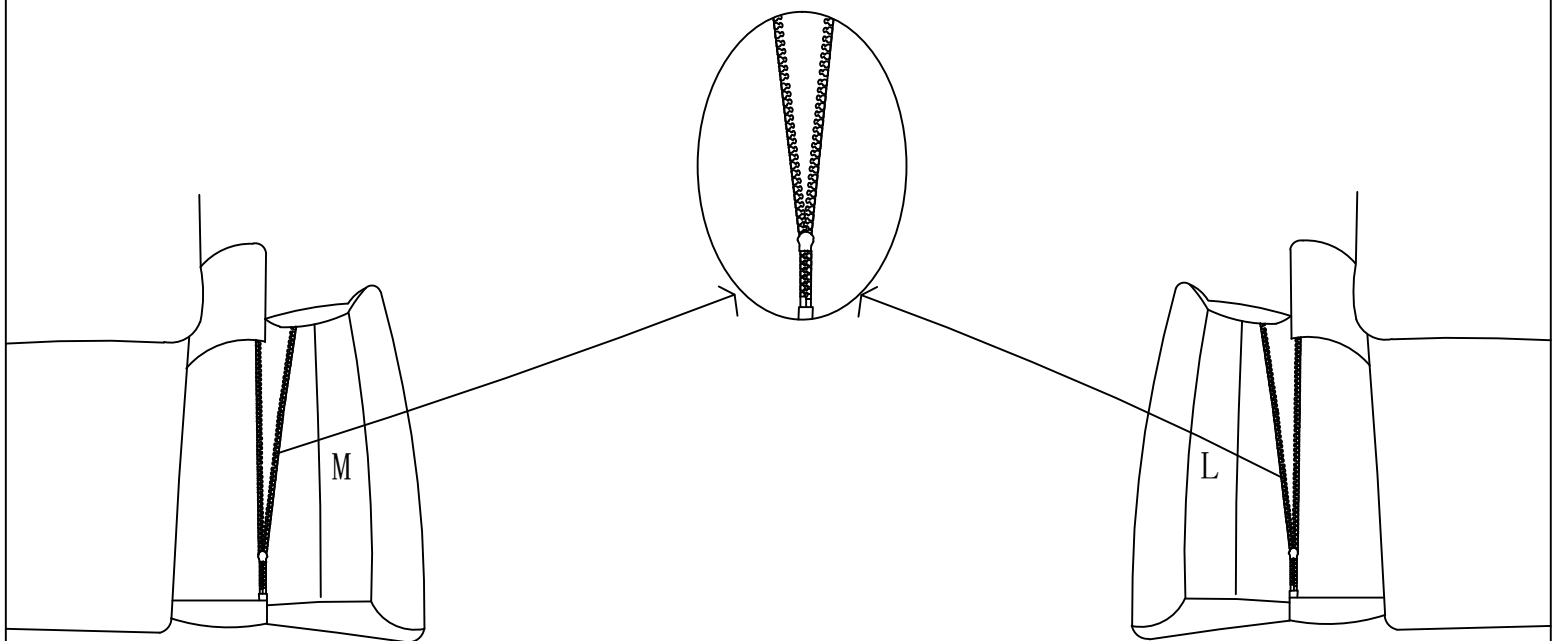
Step 13

Cut the compression bags. Tear open the Velcro on the back



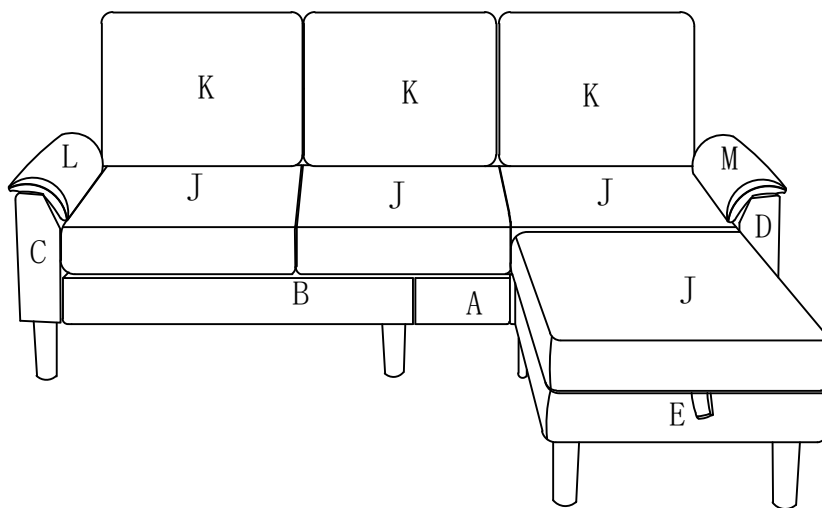
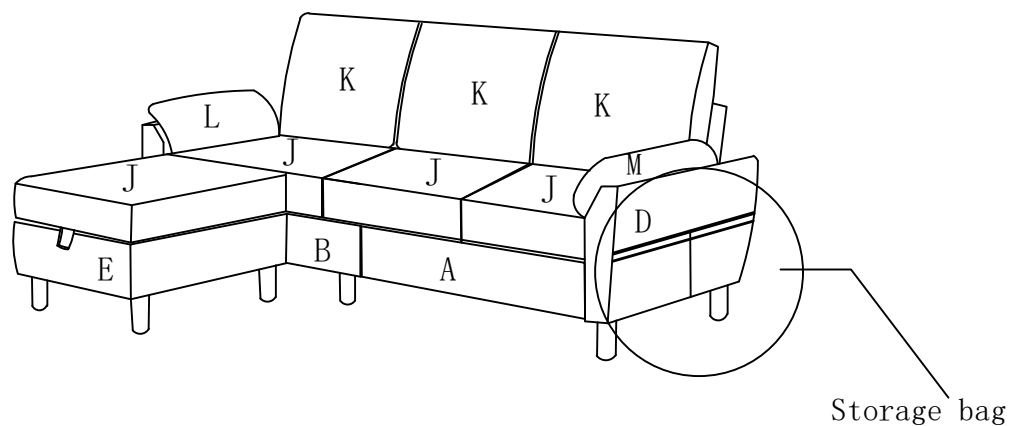
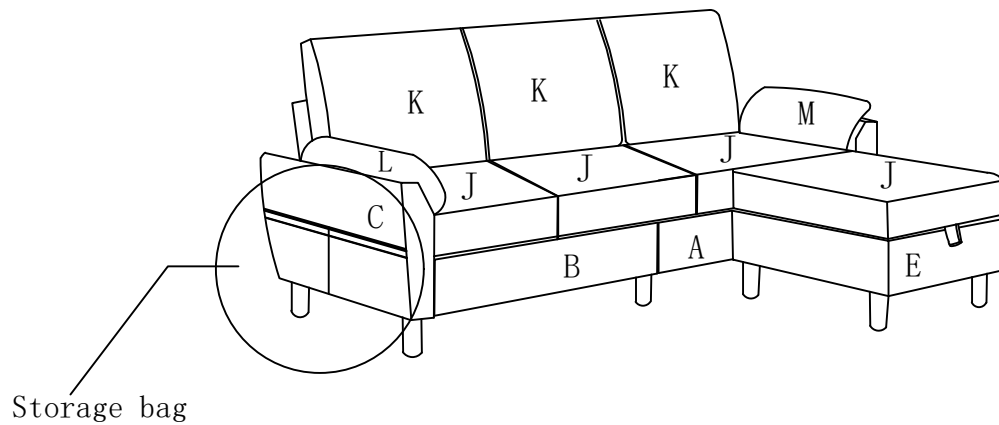
Step 14

Zip the armrest soft bag to the armrest



Step 15

Put the seat cushion and then the back cushions on the sofa



Note:The Velcro on the cushion faces the front side of the seat base

Tip:

1. Back cushions are compressed to prevent humidity and mold, sometimes it's inevitable to find some wrinkles when you get them out, you can iron them or use them to help them to get back into the original shape.
2. Hand wash is preferred for daily care.