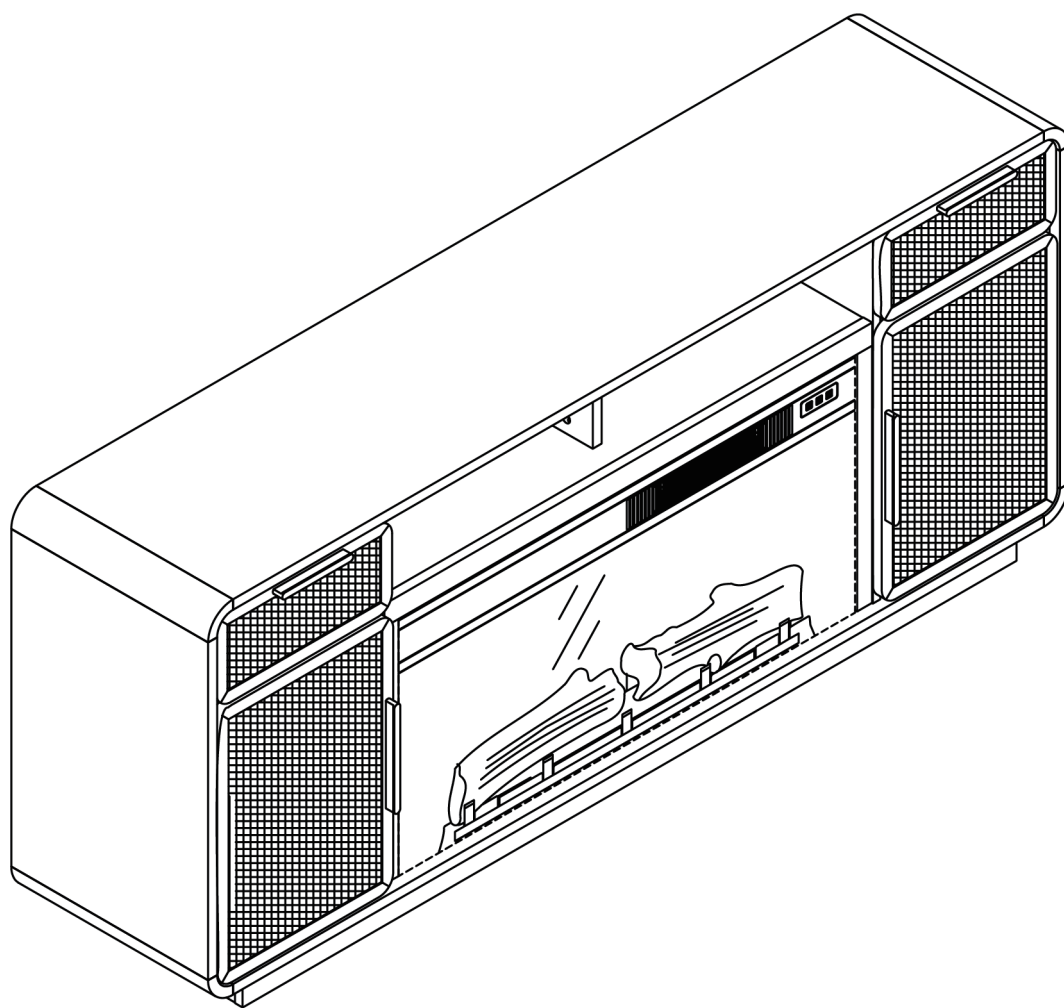


# Bower TV Stand w/ Fireplace



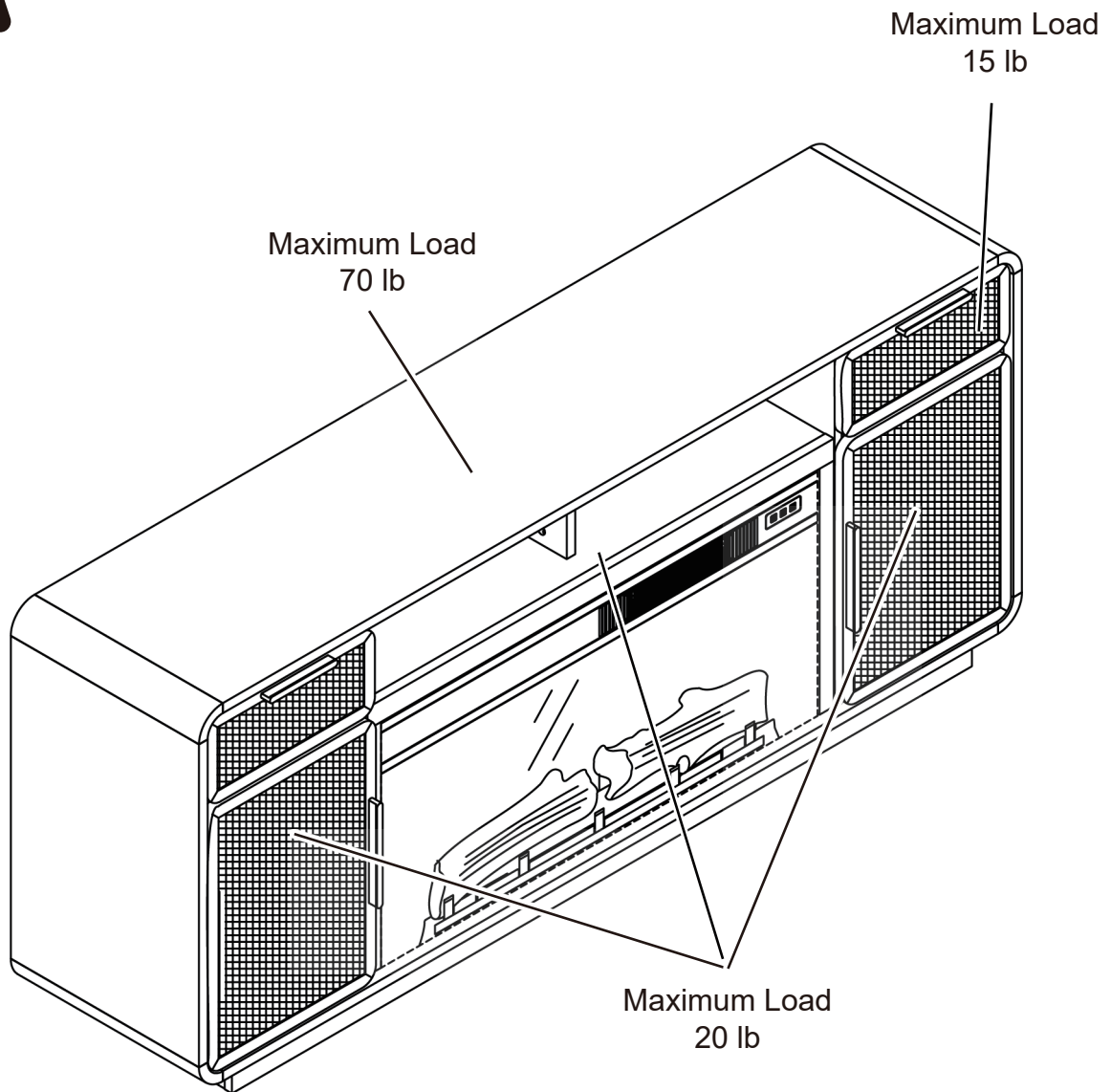


Estimated time for assembly:

**100 mins**



Weight limitations are as follows:





Assemble the furniture on an empty carton, carpet, or rug to prevent scratches or damage.

For safety, please keep pets and children away from the assembly area.

Ensure the product is fully assembled before use. If you are missing any hardware or products, do not use it until you have restored the missing parts.



This furniture requires 2 people for assembly.

Read this instruction manual prior to assembly to familiarize yourself with the various steps.

Lay out all components and hardware separately on a flat surface and make sure that no parts are missing or damaged before assembly. Do not destroy or discard any packaging until you are certain that you have all the necessary parts for assembly.

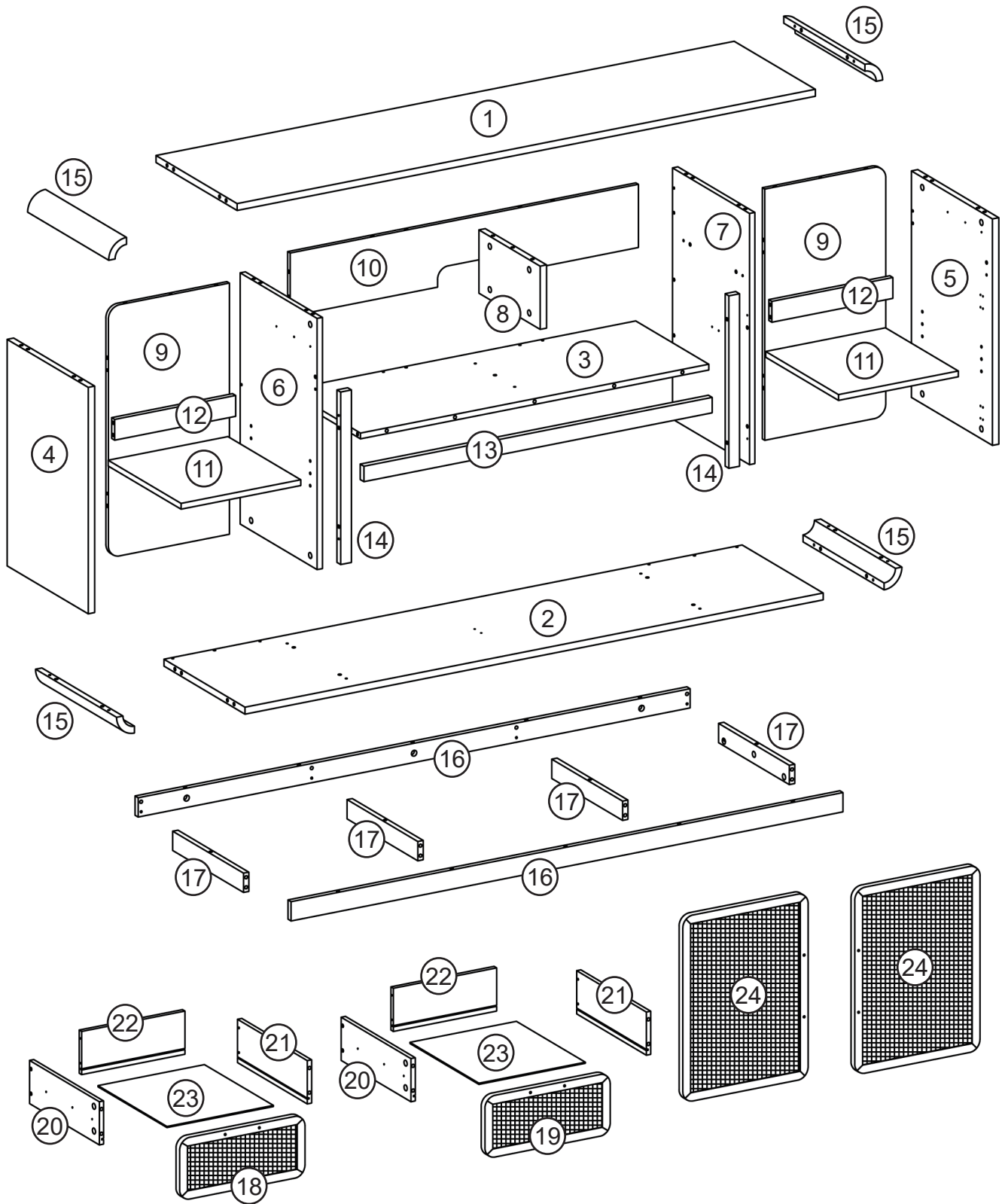
Hand tight all hardware and careful not to over tighten to avoid damaging the product.

## **CAUTION**

There are small components used in the construction of this product. Loose items should be kept away from pets and children to avoid a choking hazard.

Keep all plastic bags and packaging film away from pets and children to avoid suffocation.

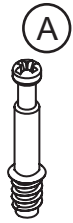
# PACKAGE CONTENTS



# PACKAGE CONTENTS

| CODE | DESCRIPTION               | QTY |
|------|---------------------------|-----|
| 1    | Top Panel                 | 1   |
| 2    | Bottom Panel              | 1   |
| 3    | Center Panel              | 1   |
| 4    | Left Lateral Panel        | 1   |
| 5    | Right Lateral Panel       | 1   |
| 6    | Left Medial Panel         | 1   |
| 7    | Right Medial Panel        | 1   |
| 8    | Division Panel            | 1   |
| 9    | Side Back Panel           | 2   |
| 10   | Center Back Panel         | 1   |
| 11   | Storage Panel             | 2   |
| 12   | Shelf Crossbar            | 2   |
| 13   | Horizontal Surround Panel | 1   |
| 14   | Vertical Surround Panel   | 2   |
| 15   | Rounded Corner Strip      | 4   |
| 16   | Long Leg Strip            | 2   |
| 17   | Short Leg Strip           | 4   |
| 18   | Left Drawer Front Panel   | 1   |
| 19   | Right Drawer Front Panel  | 1   |
| 20   | Drawer Left Panel         | 2   |
| 21   | Drawer Right Panel        | 2   |
| 22   | Drawer Back Panel         | 2   |
| 23   | Drawer Bottom Panel       | 2   |
| 24   | Cabinet Door              | 2   |

# PACKAGE CONTENTS



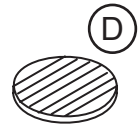
83x + 4x



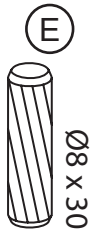
57x + 4x



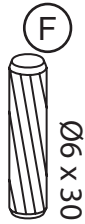
26x + 2x



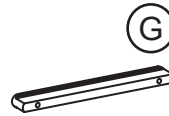
83x + 4x



52x + 4x



14x + 1x



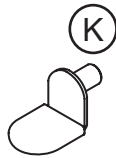
2x



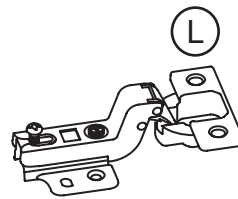
2x



8x



8x



4x

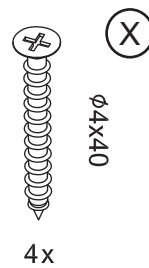
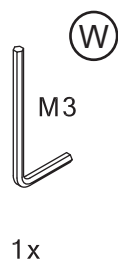
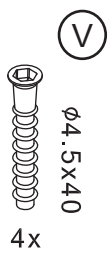
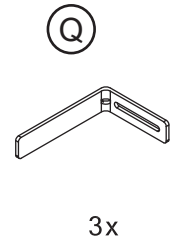
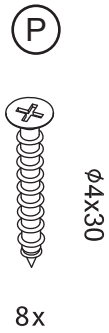
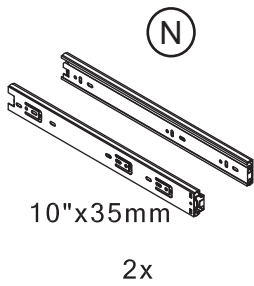


24x + 2x



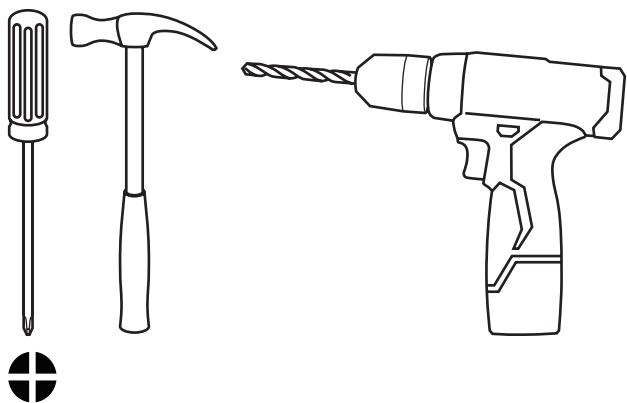
Install all hardware perpendicular to the opening.

# PACKAGE CONTENTS



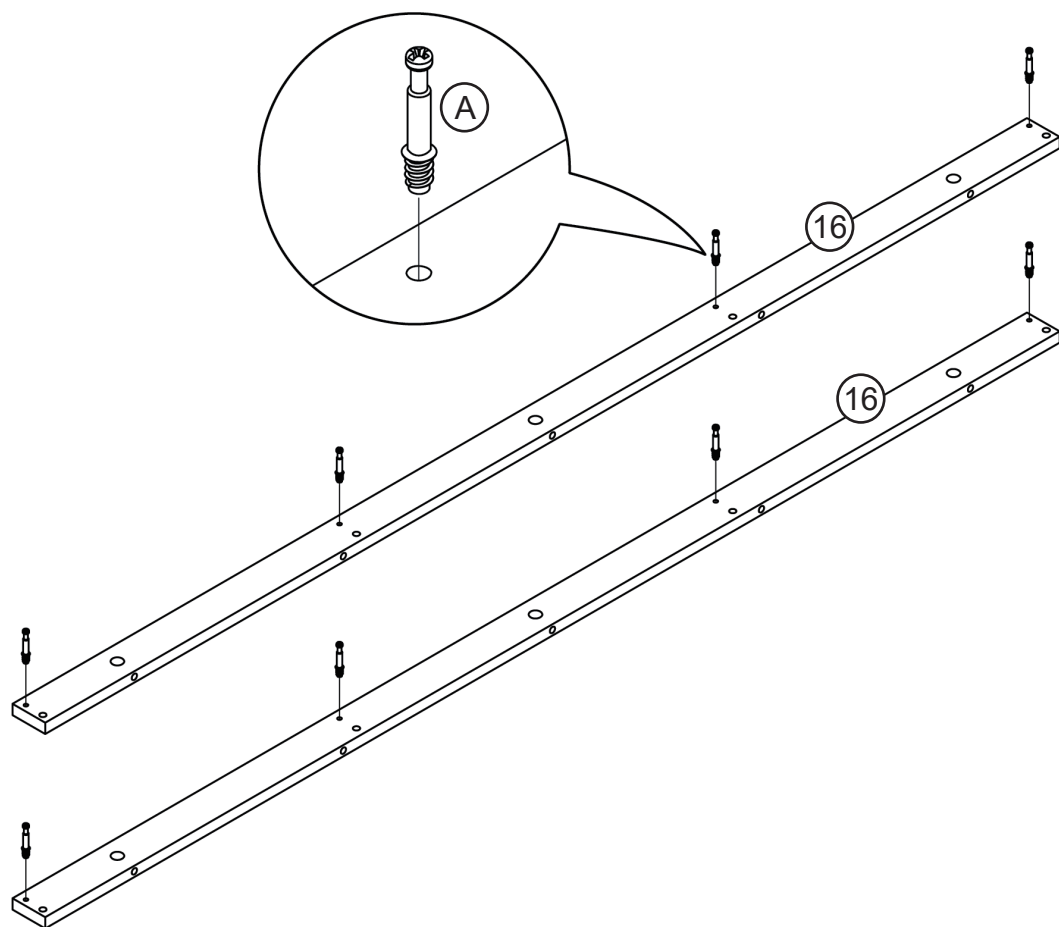
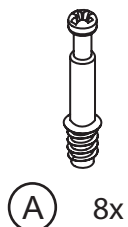
Install all hardware perpendicular to the opening.

Required tools for assembly (Not included)



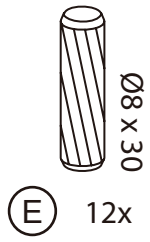
**1**

Attach cam bolts to the long leg strips (16).

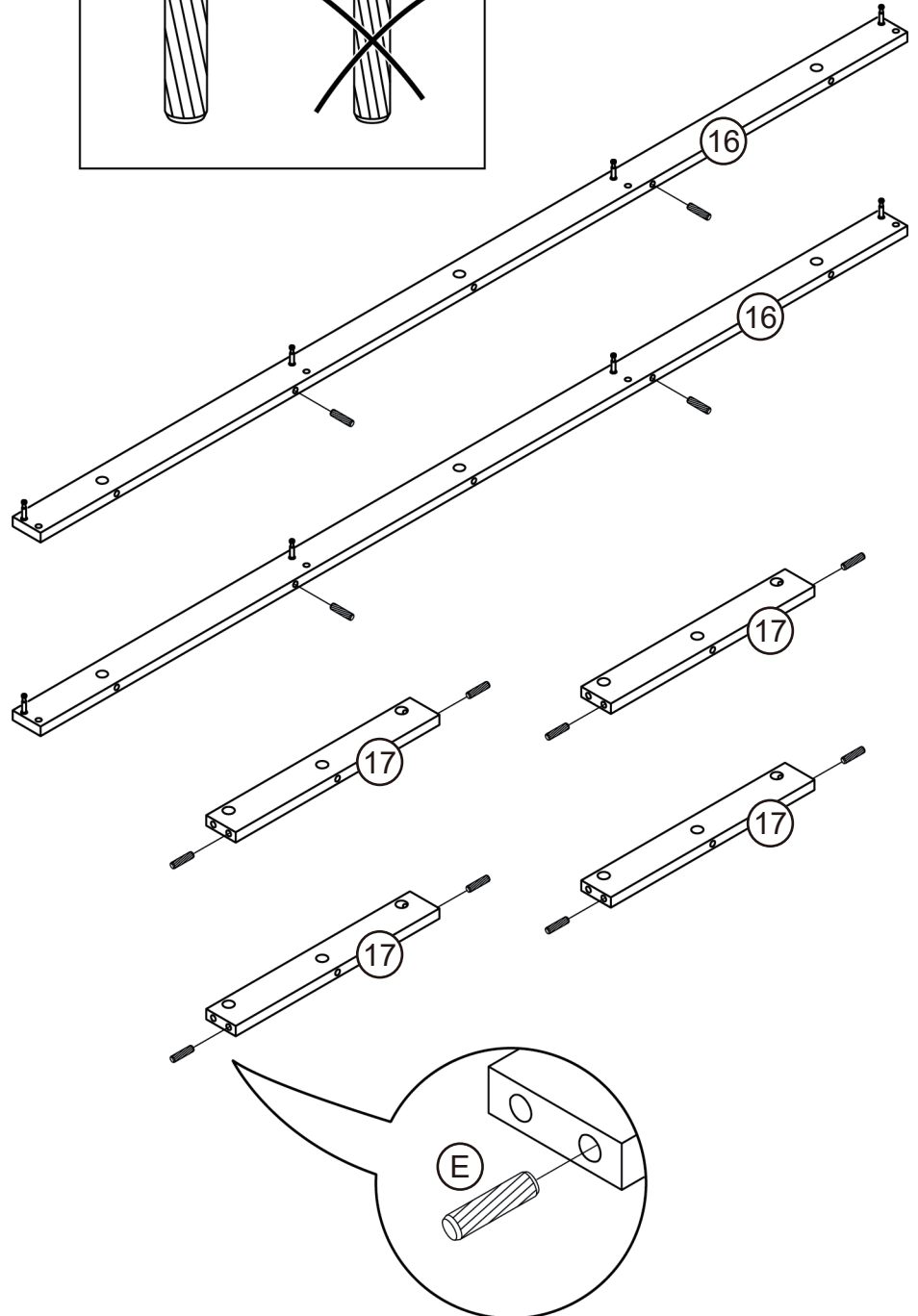
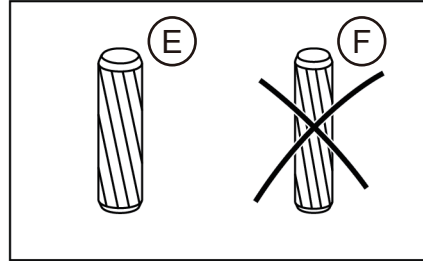


# 2

Insert wood dowels to the leg strips (16, 17).

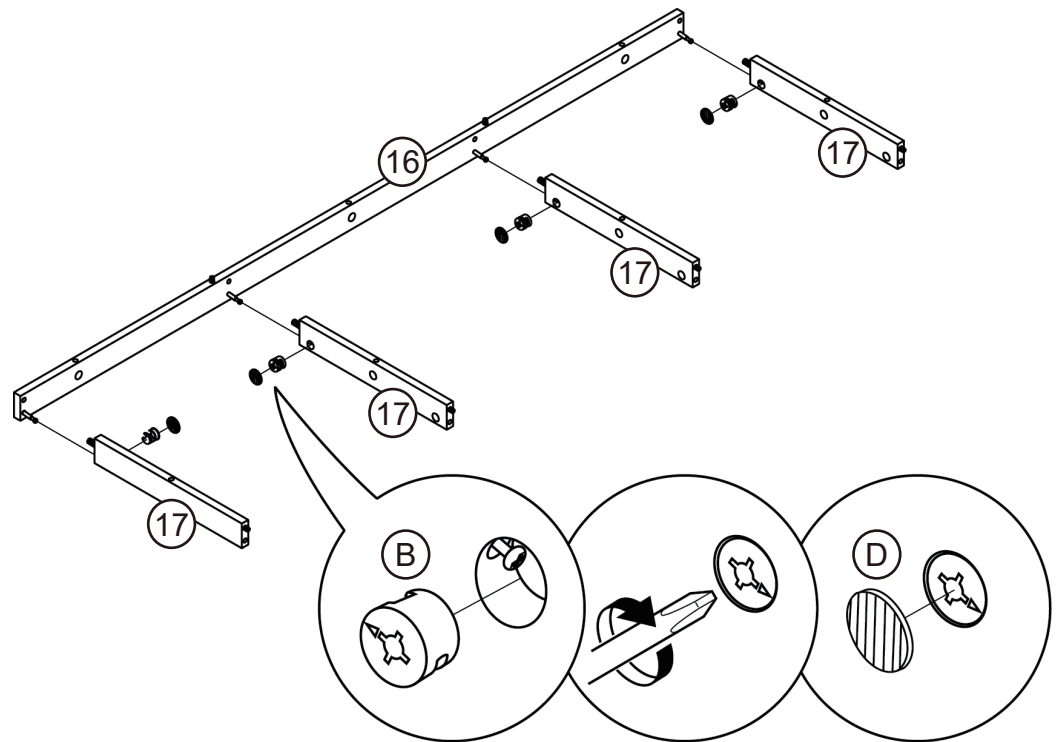
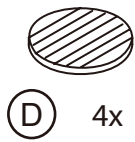
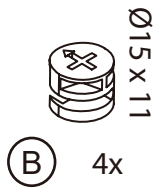


Note: Make sure to use the correct hardware.



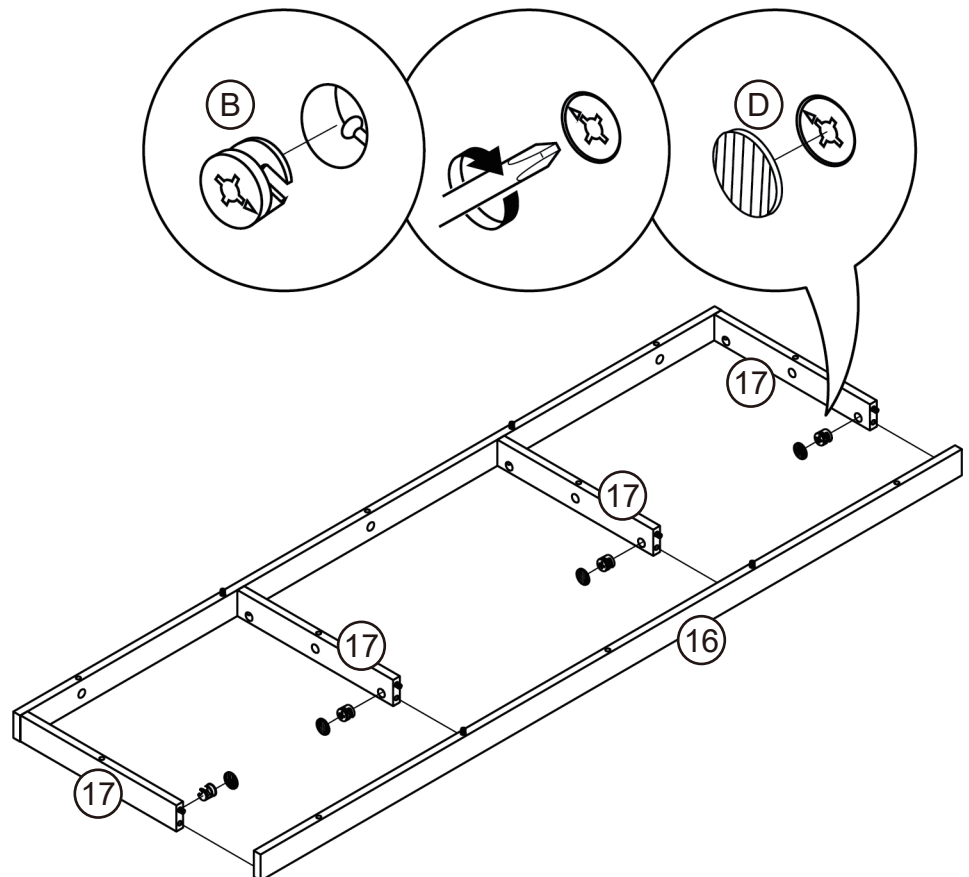
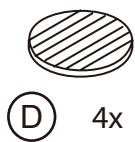
# 3

Assemble short leg strips (17) to a long leg strip (16).



# 4

Assemble long leg strip (16) to the other side of the short leg strips (17).

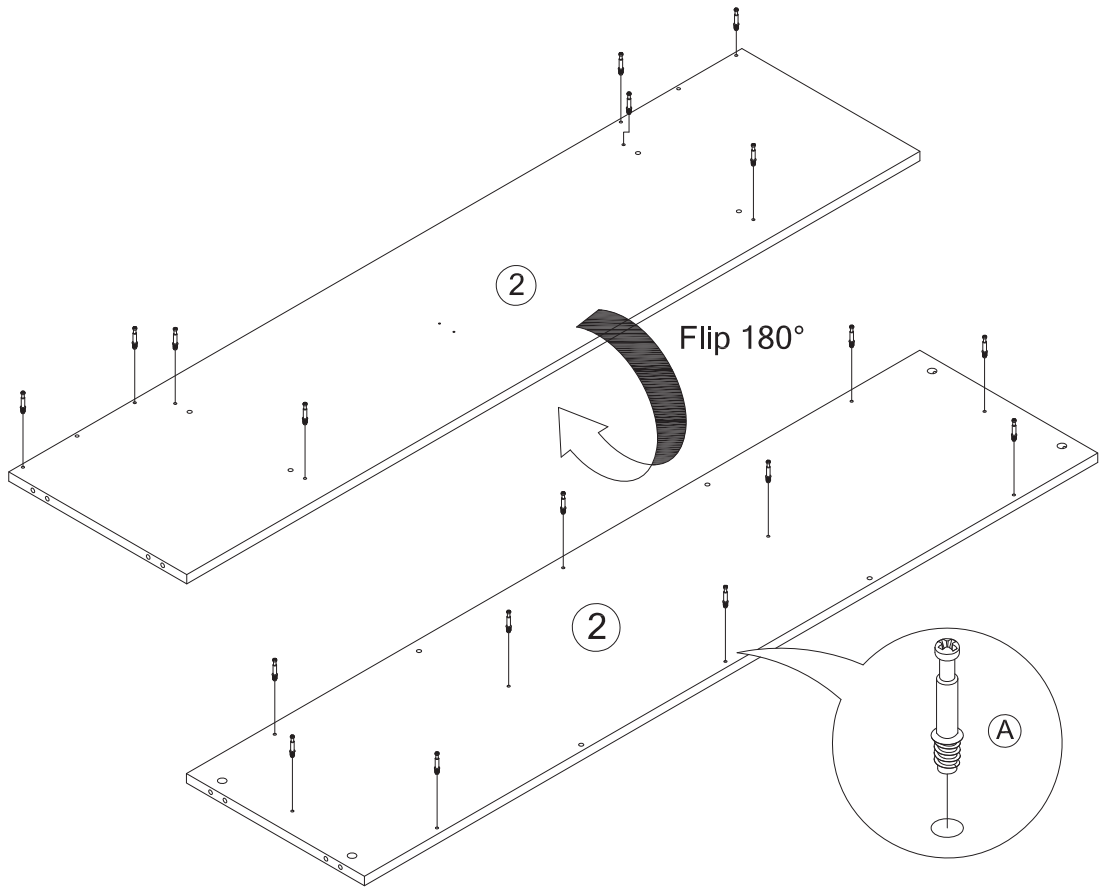


# 5

Attach cam bolts to both sides of the bottom panel (2).



(A) 18x

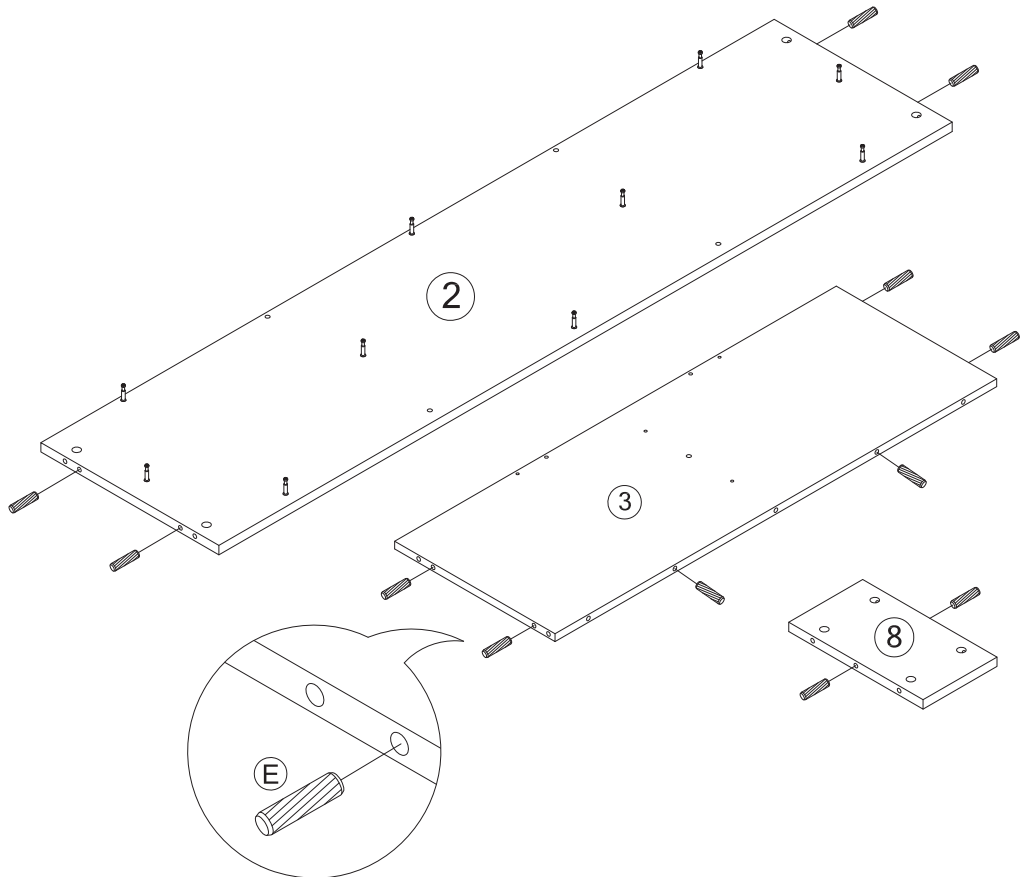


# 6

Insert wood dowels to the bottom panel (2) and the center panel (3) and division panel(8).

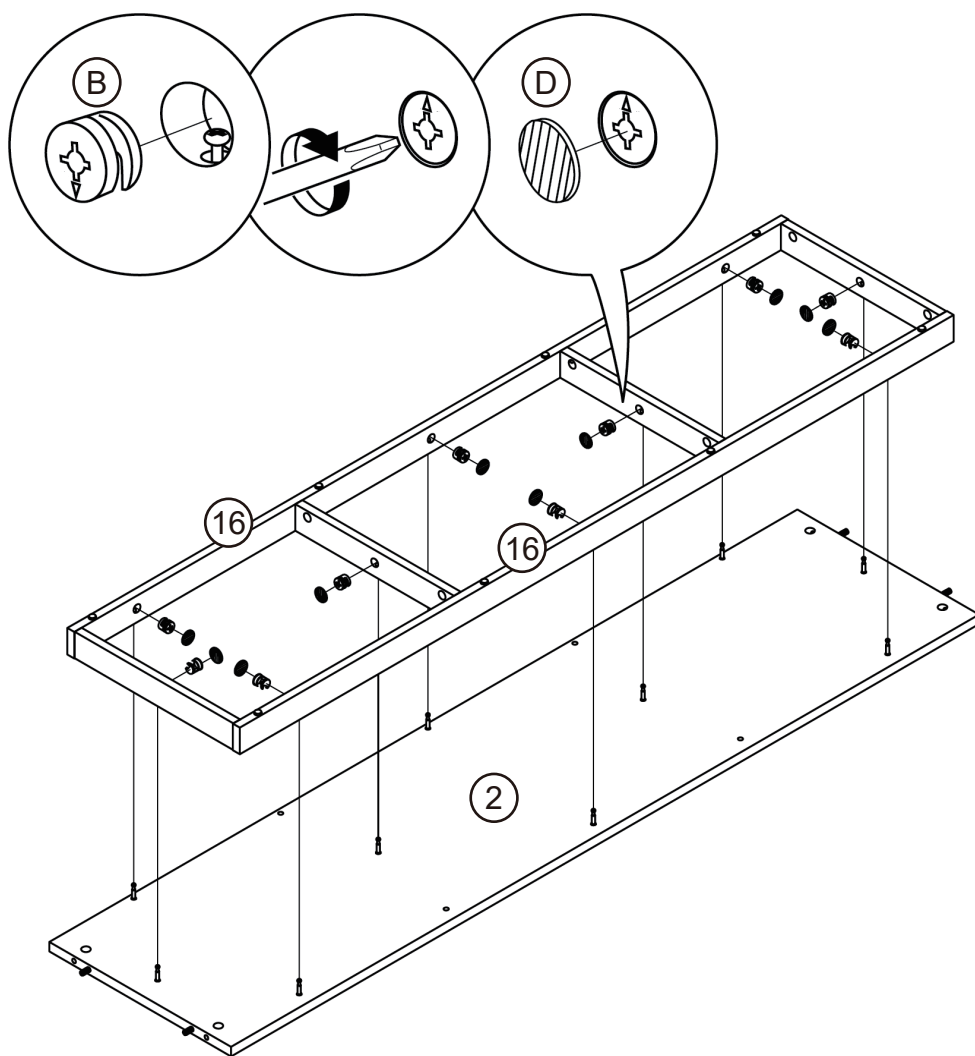
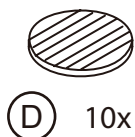


(E) 12x



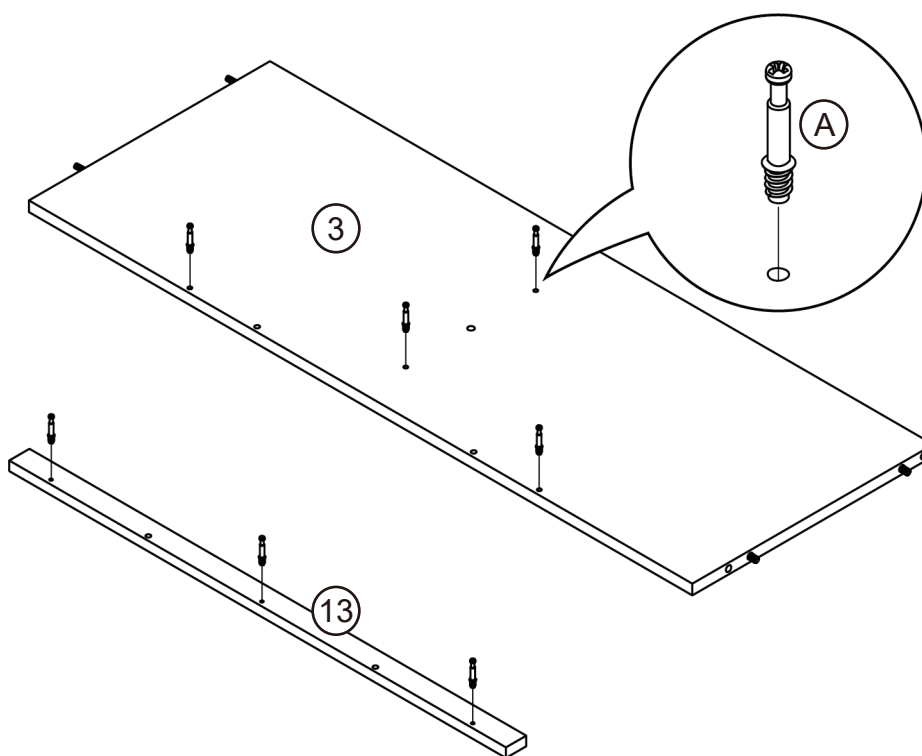
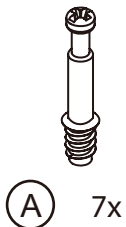
# 7

Attach the leg assembly to the bottom panel (2).



# 8

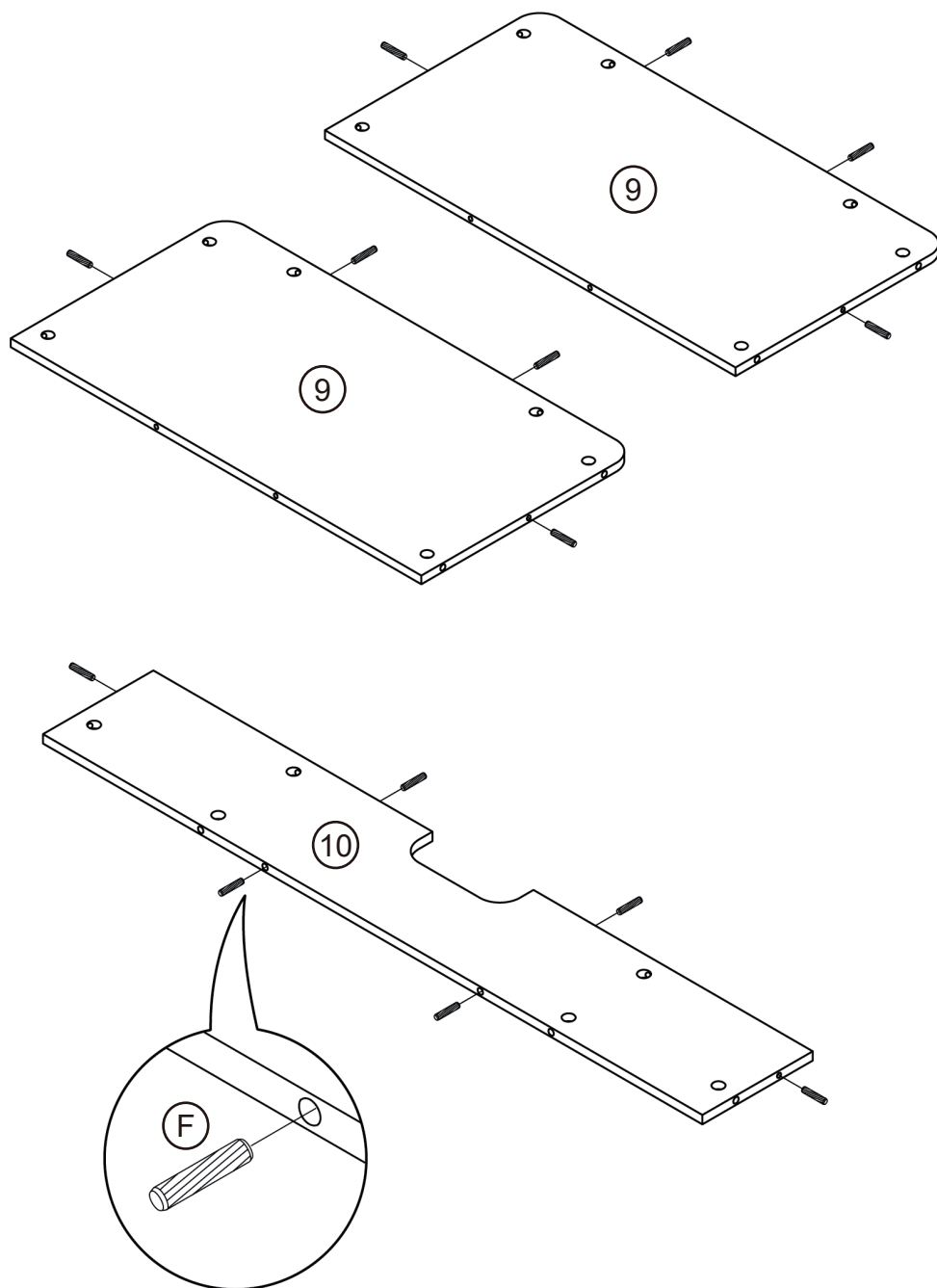
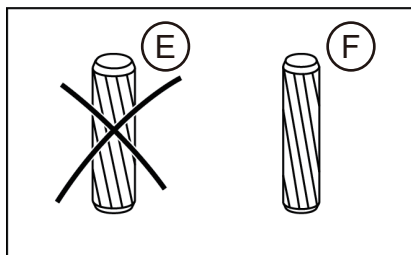
Attach cam bolts to the center panel (3) and the horizontal surround panel (13).



# 9

Insert wood dowels to the back panels (9, 10).

Note: Make sure to use the correct hardware.



# 10

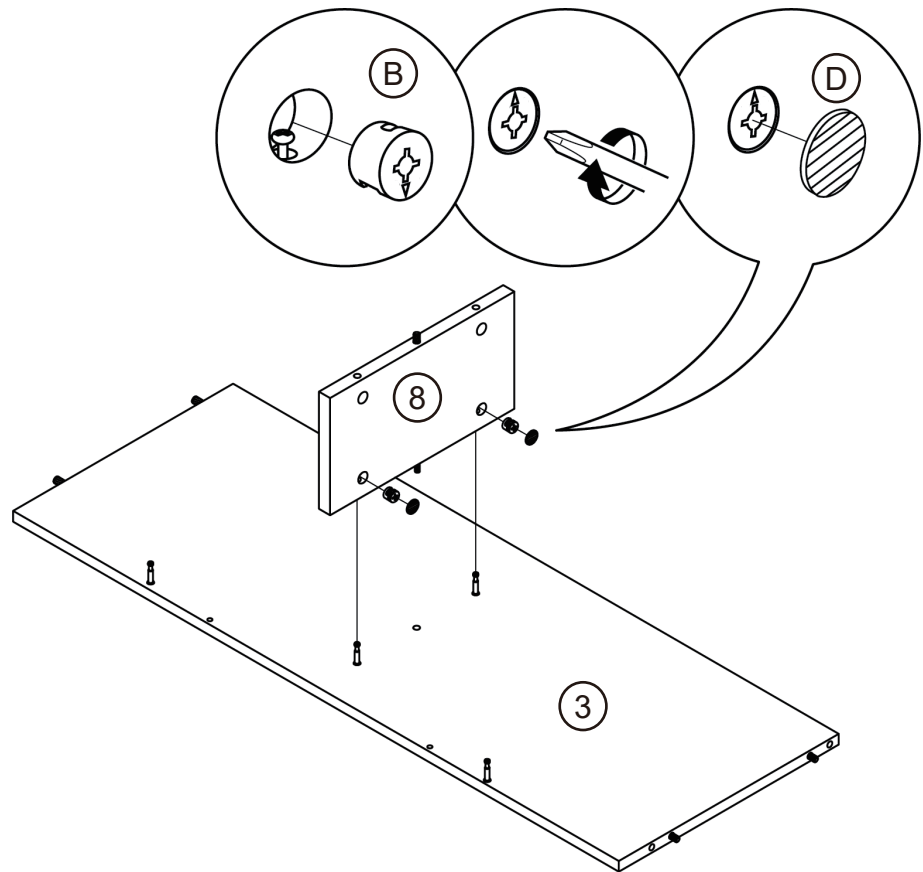
Assemble the division panel (8) onto the center panel (3).



(B) 2x



(D) 2x

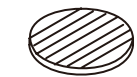


# 11

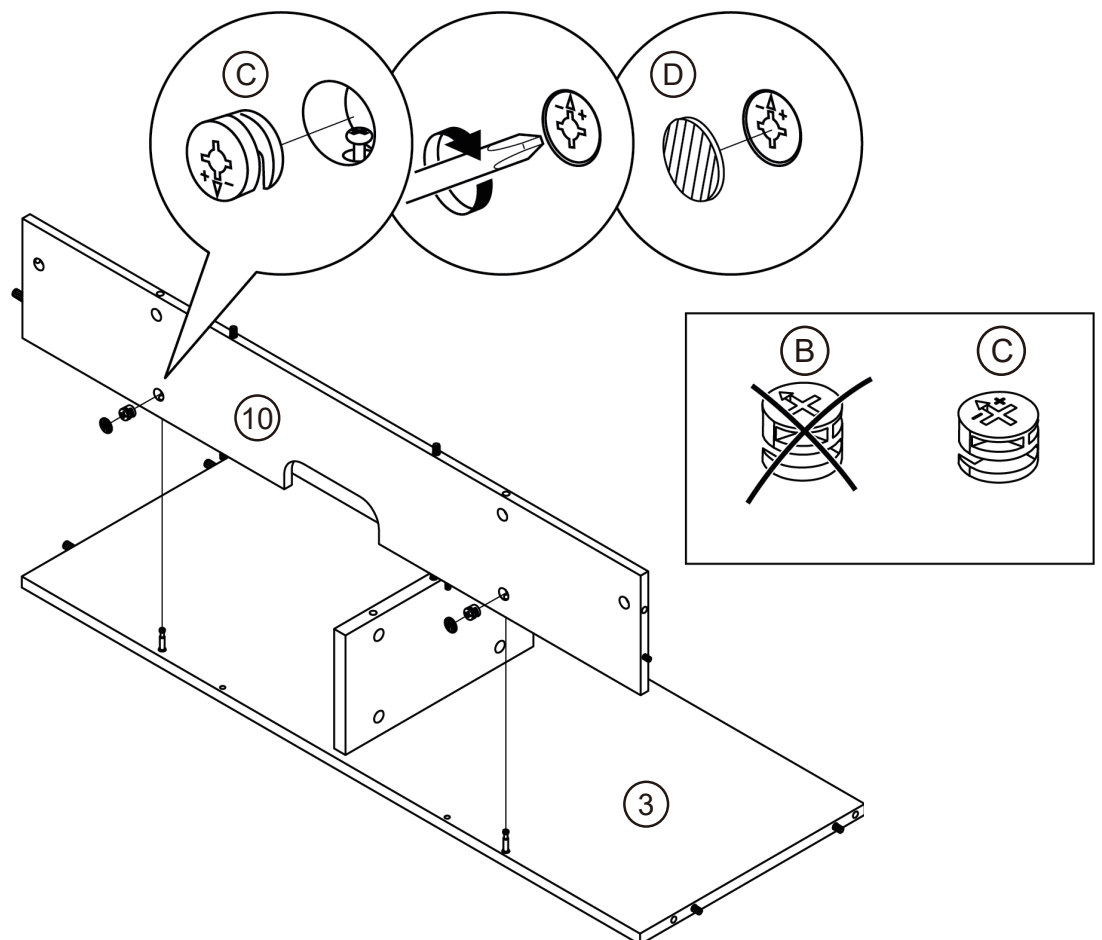
Assemble center back panel (10) to the center panel (3).



(C) 2x

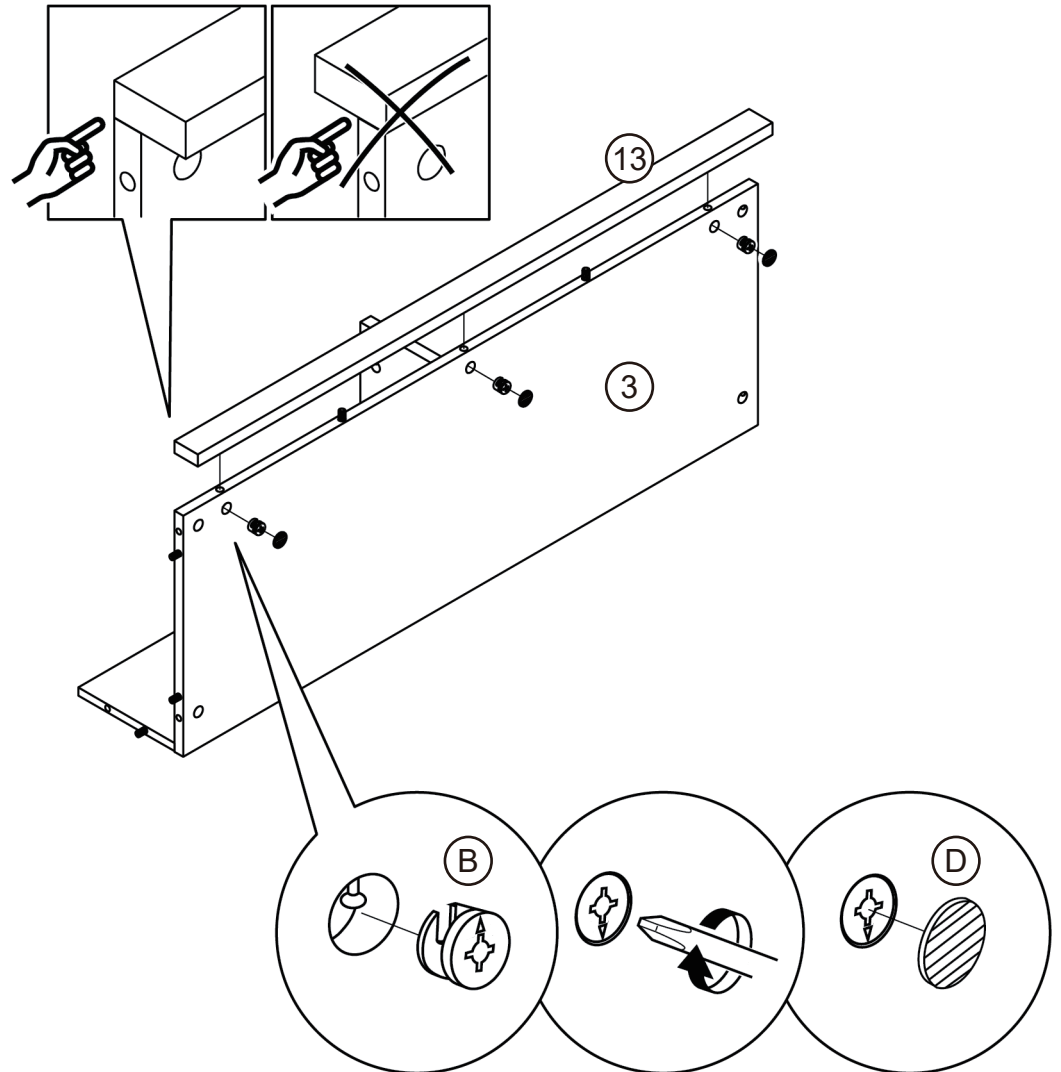
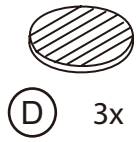
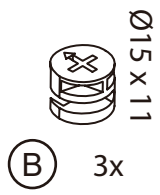


(D) 2x



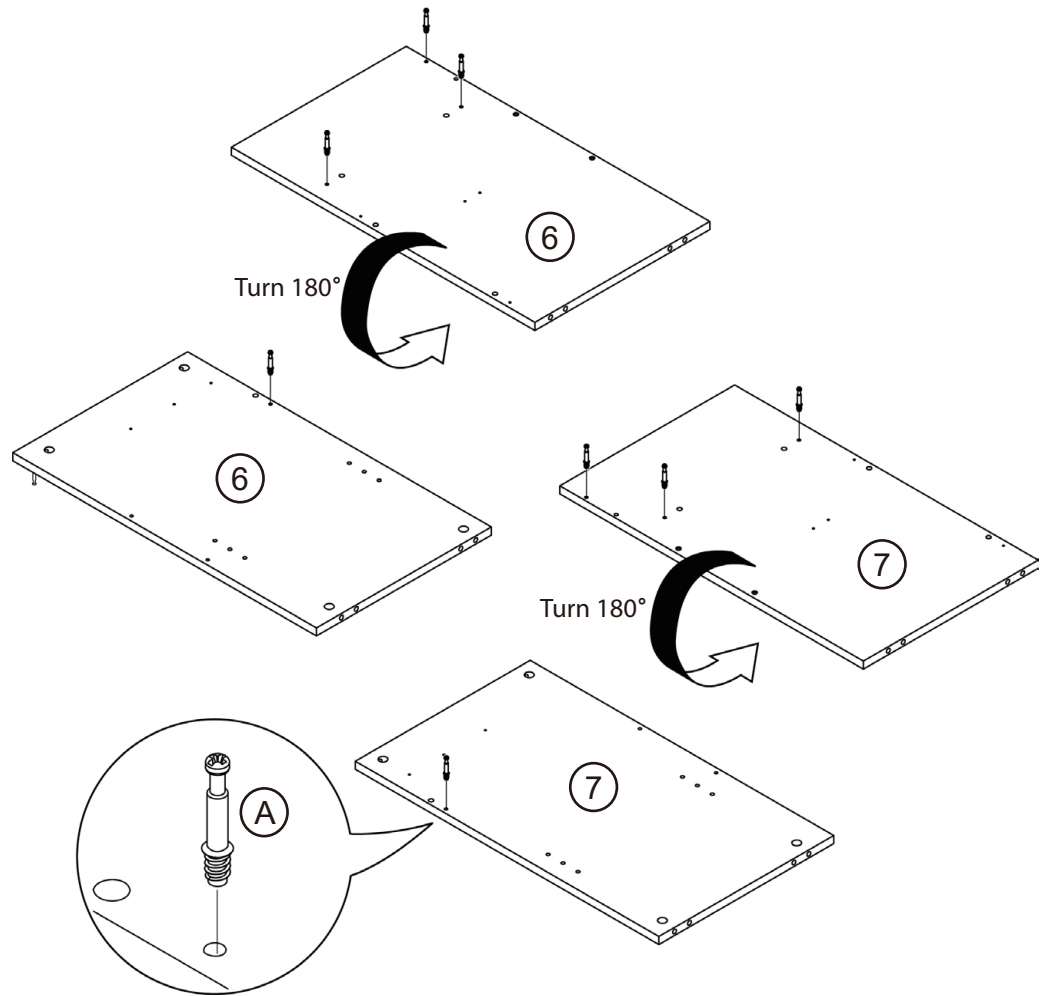
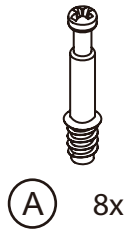
# 12

Assemble the horizontal surround panel (13) to the front of the center panel (3).



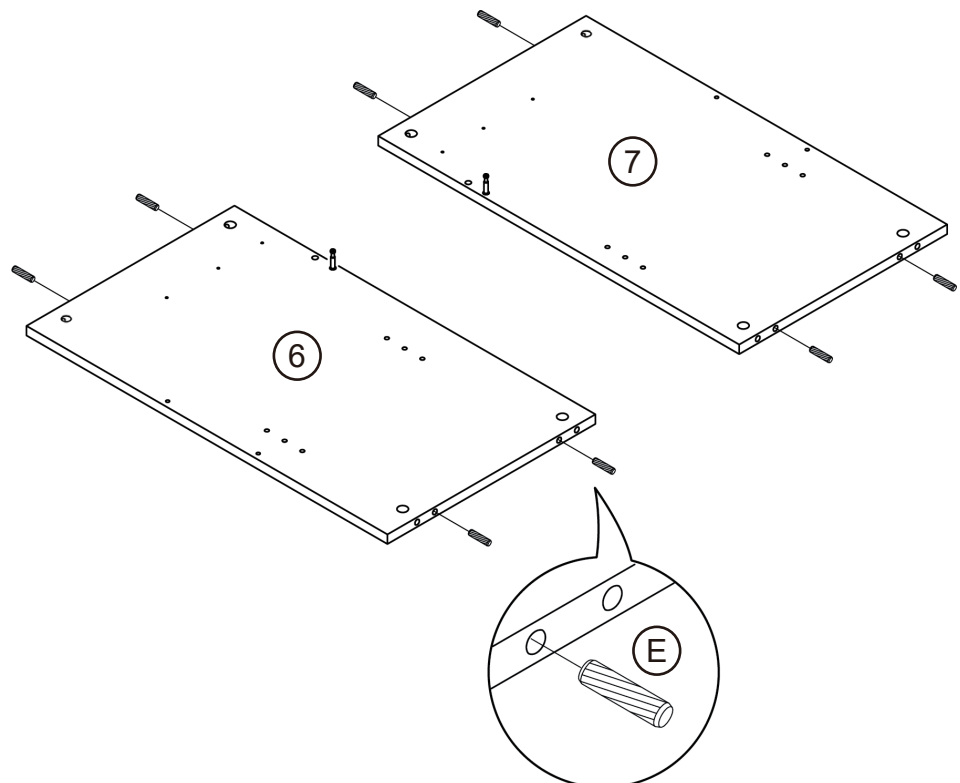
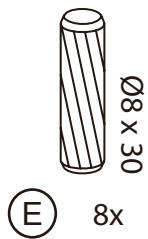
# 13

Attach cam bolts to both sides of the medial panels (6, 7).



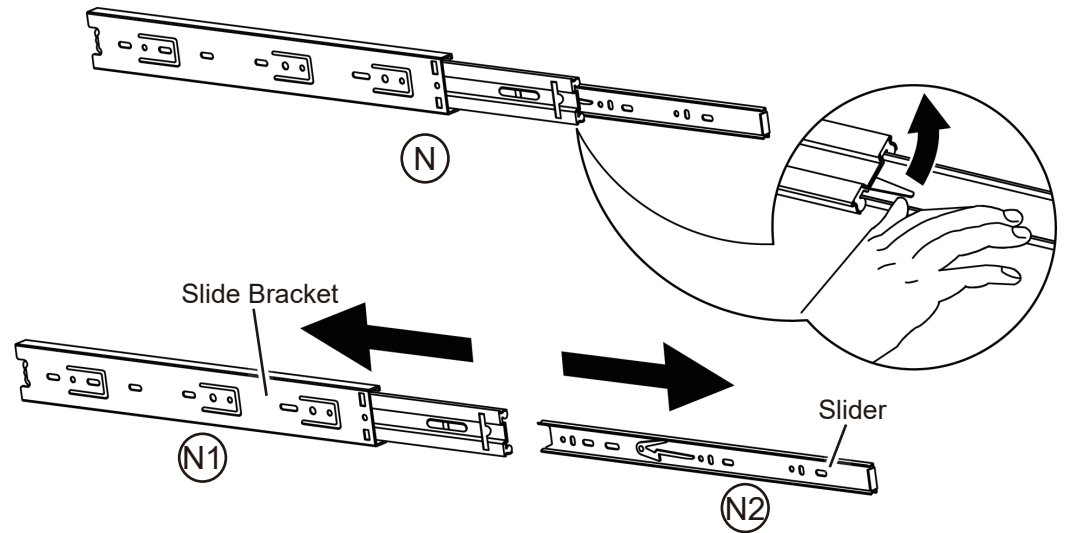
# 14

Insert wood dowels to the medial panels (6, 7).



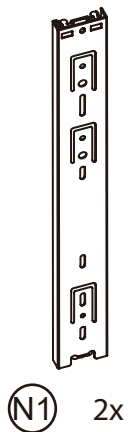
# 15

Detach sliders from slide brackets.



# 16

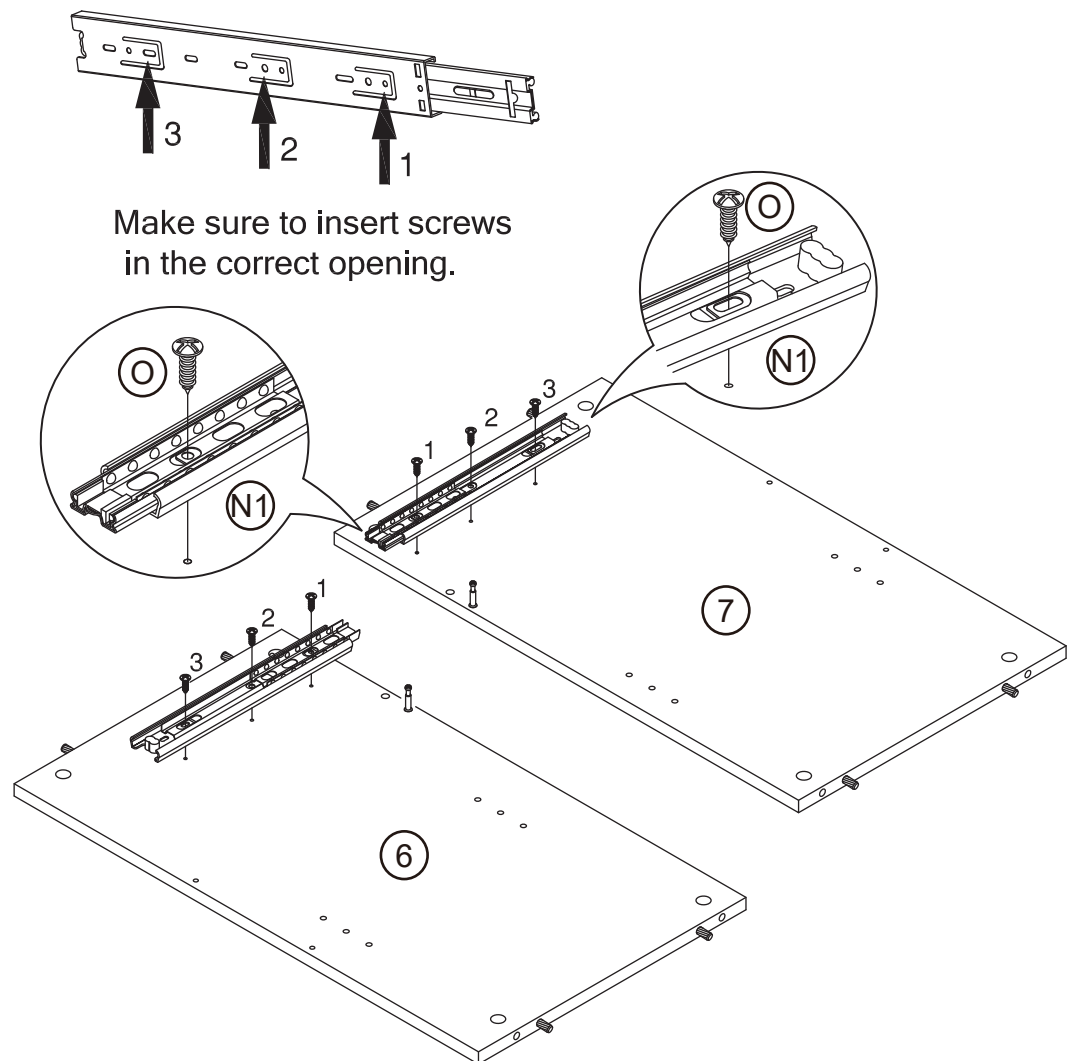
Attach slide bracket to medial panels (6, 7).



N1 2x

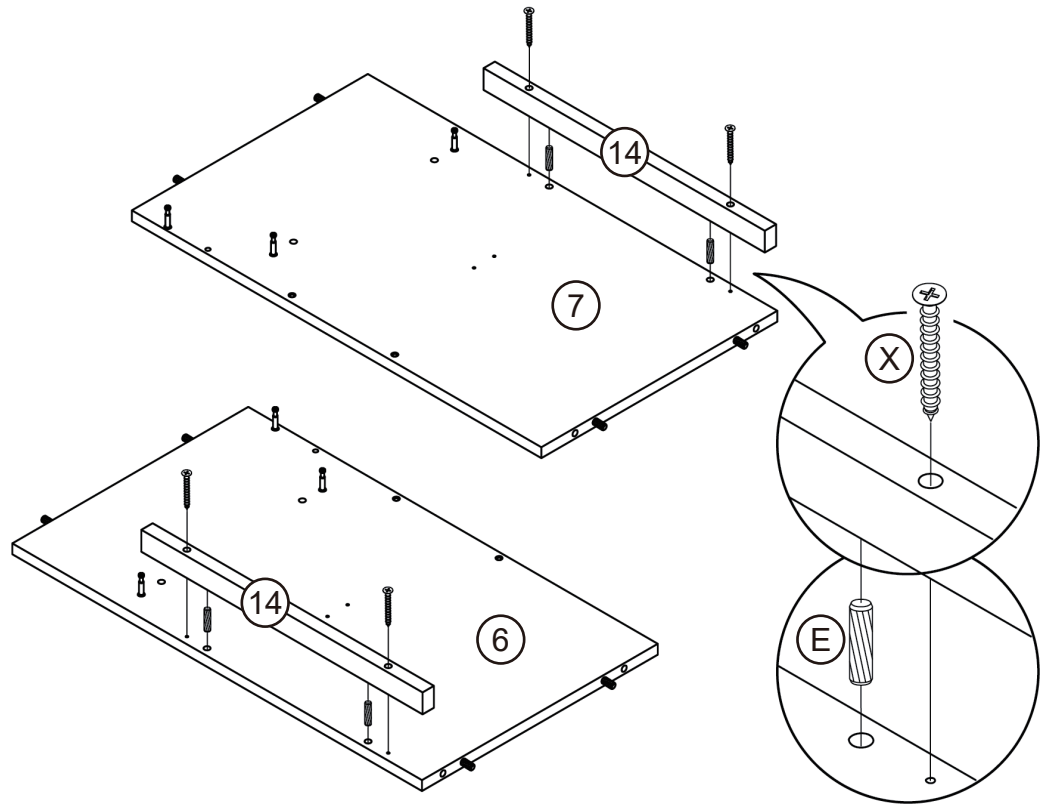
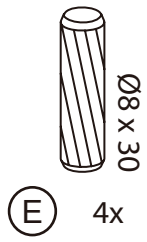


O 6x



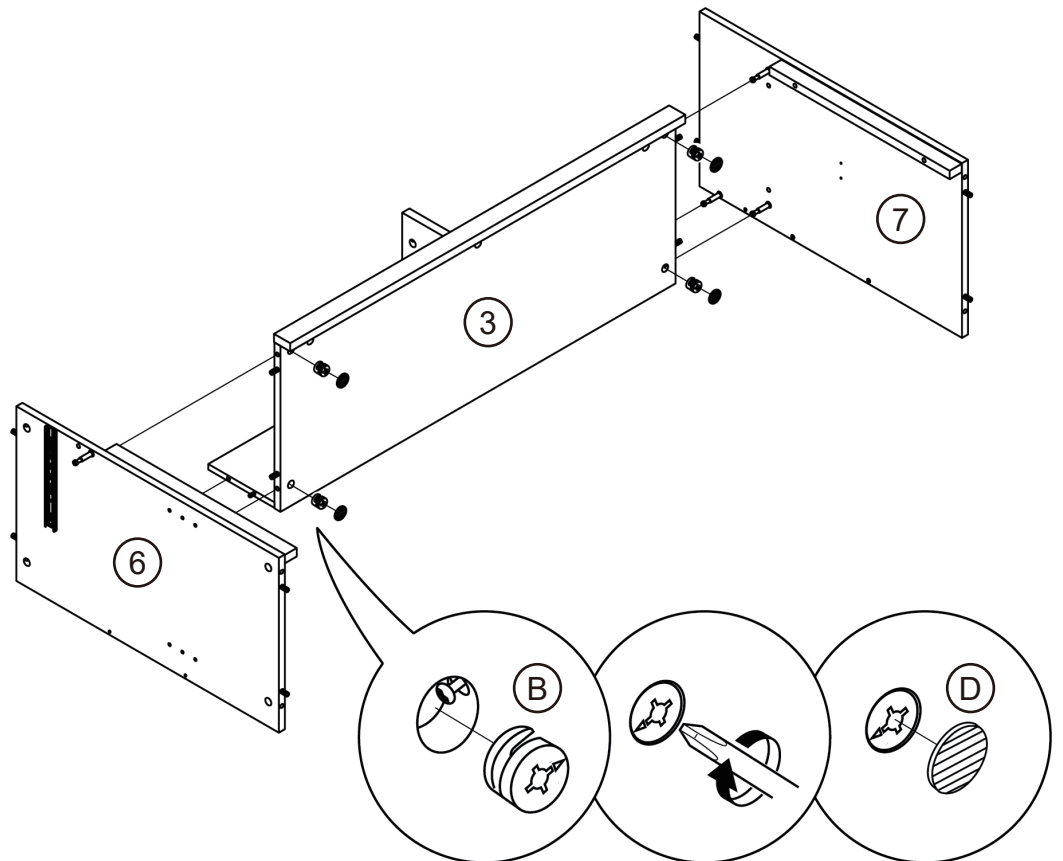
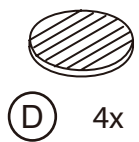
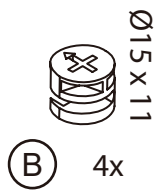
# 17

Assemble vertical surround panels (14) to the medial panels (6, 7).



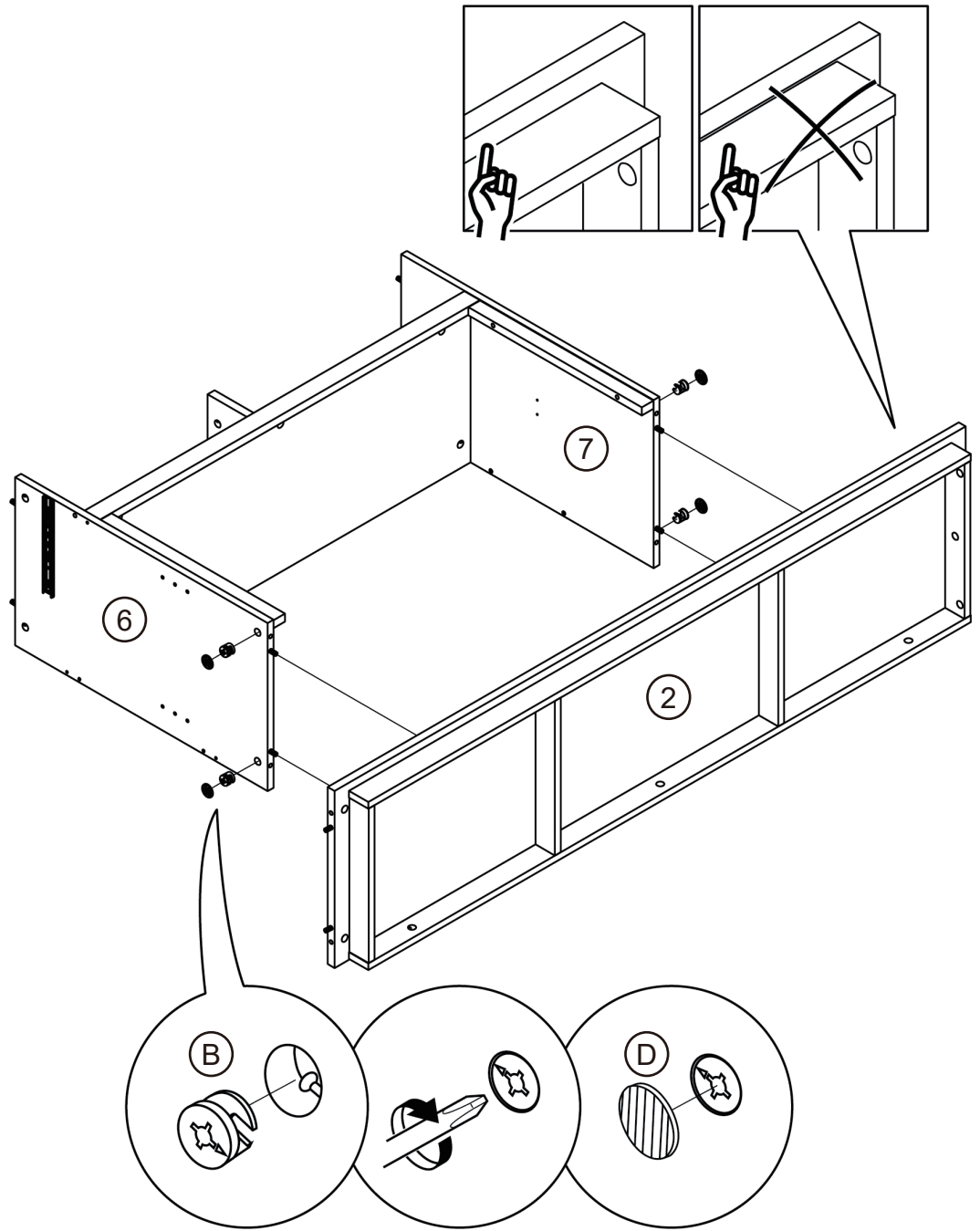
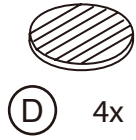
# 18

Assemble the center panel (3) between the two medial panels (6, 7).



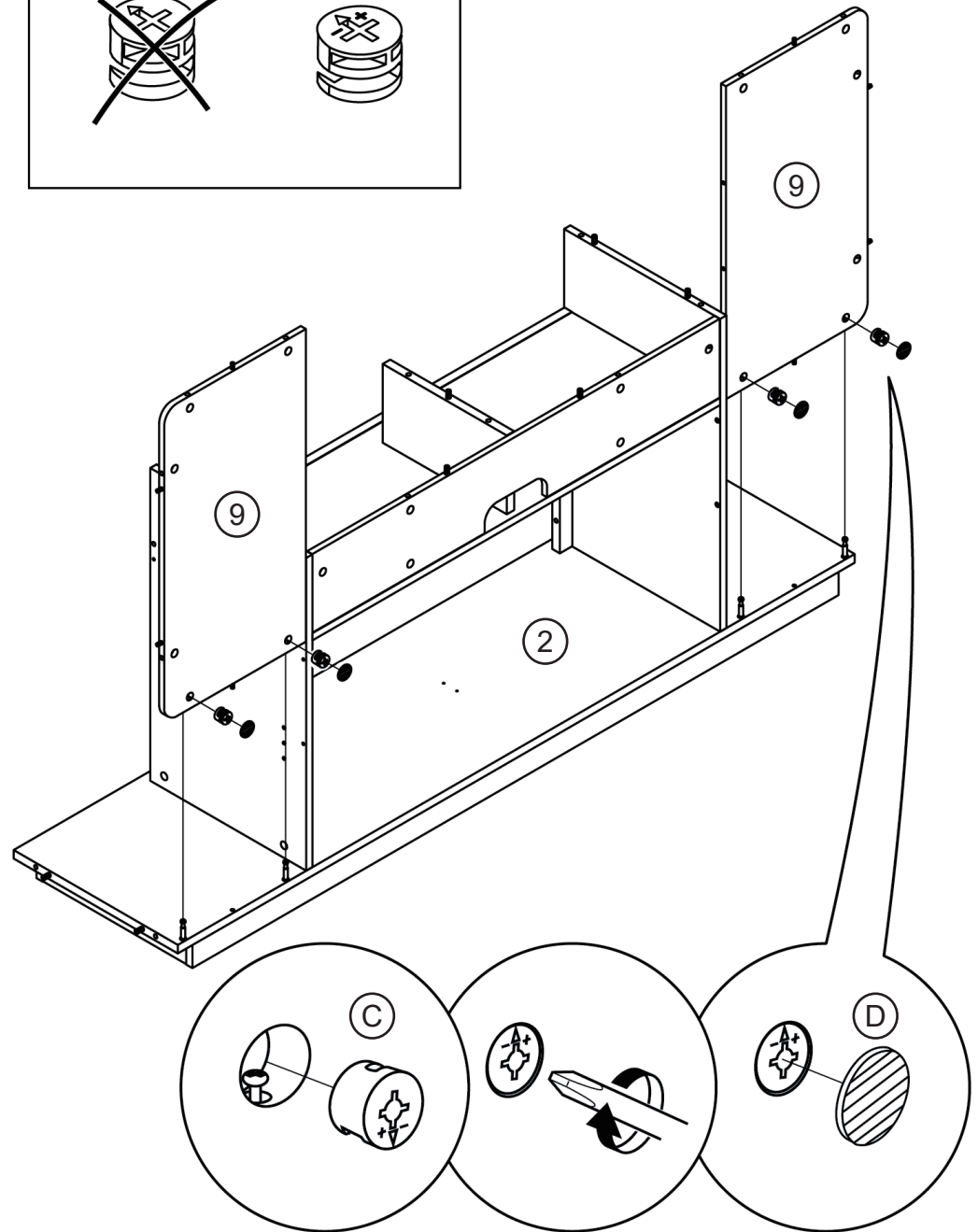
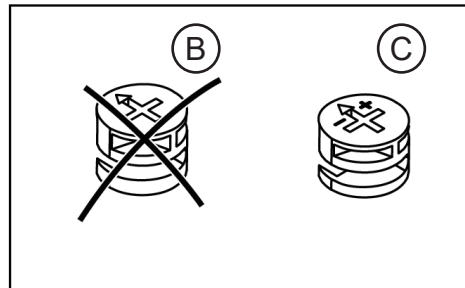
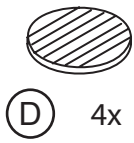
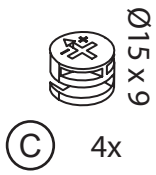
# 19

Assemble the medial panels on top of the bottom panel (2).



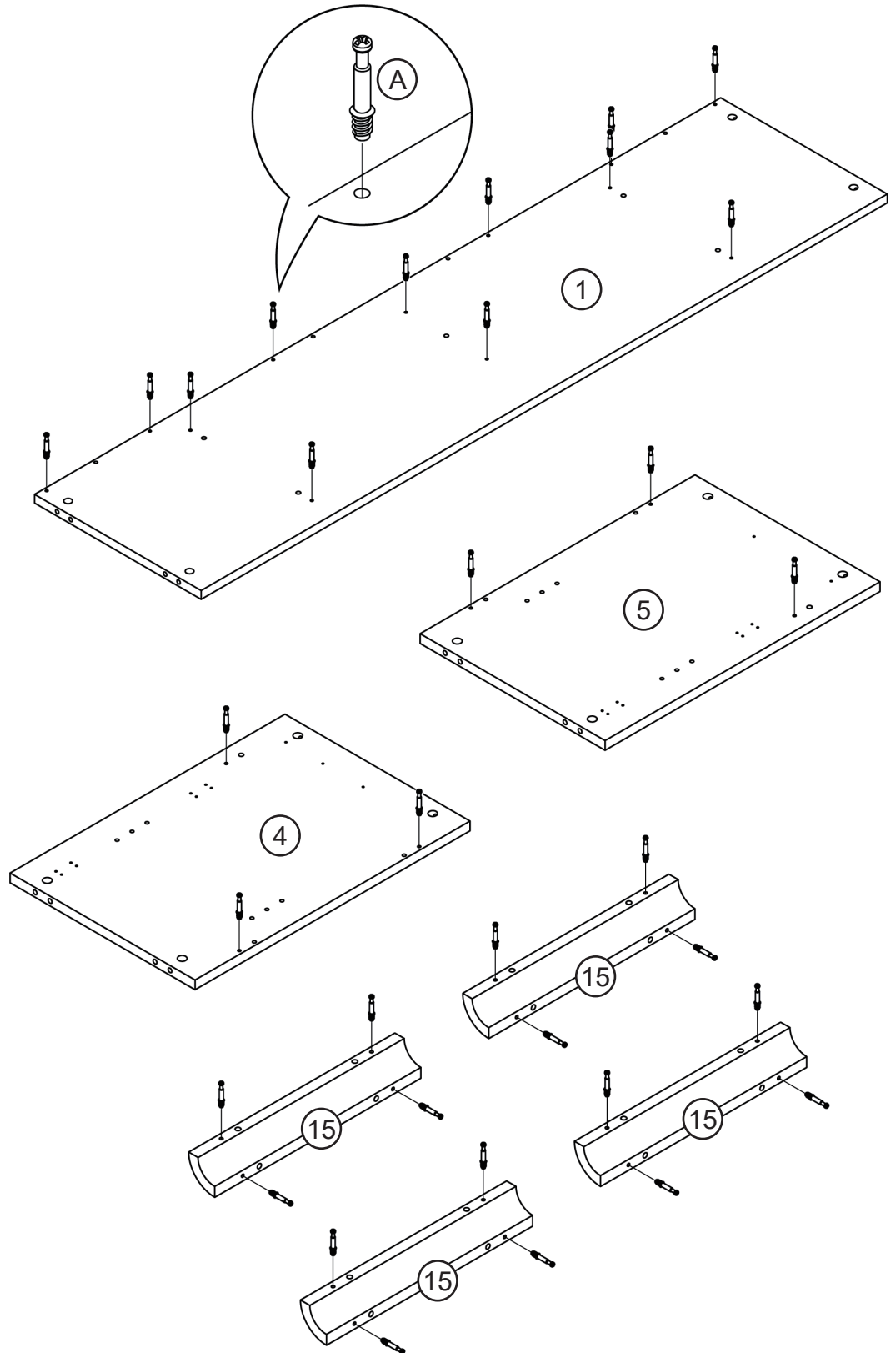
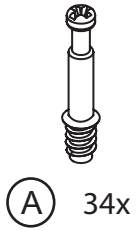
# 20

Assemble side back panels (9) on top of the bottom panel (2).



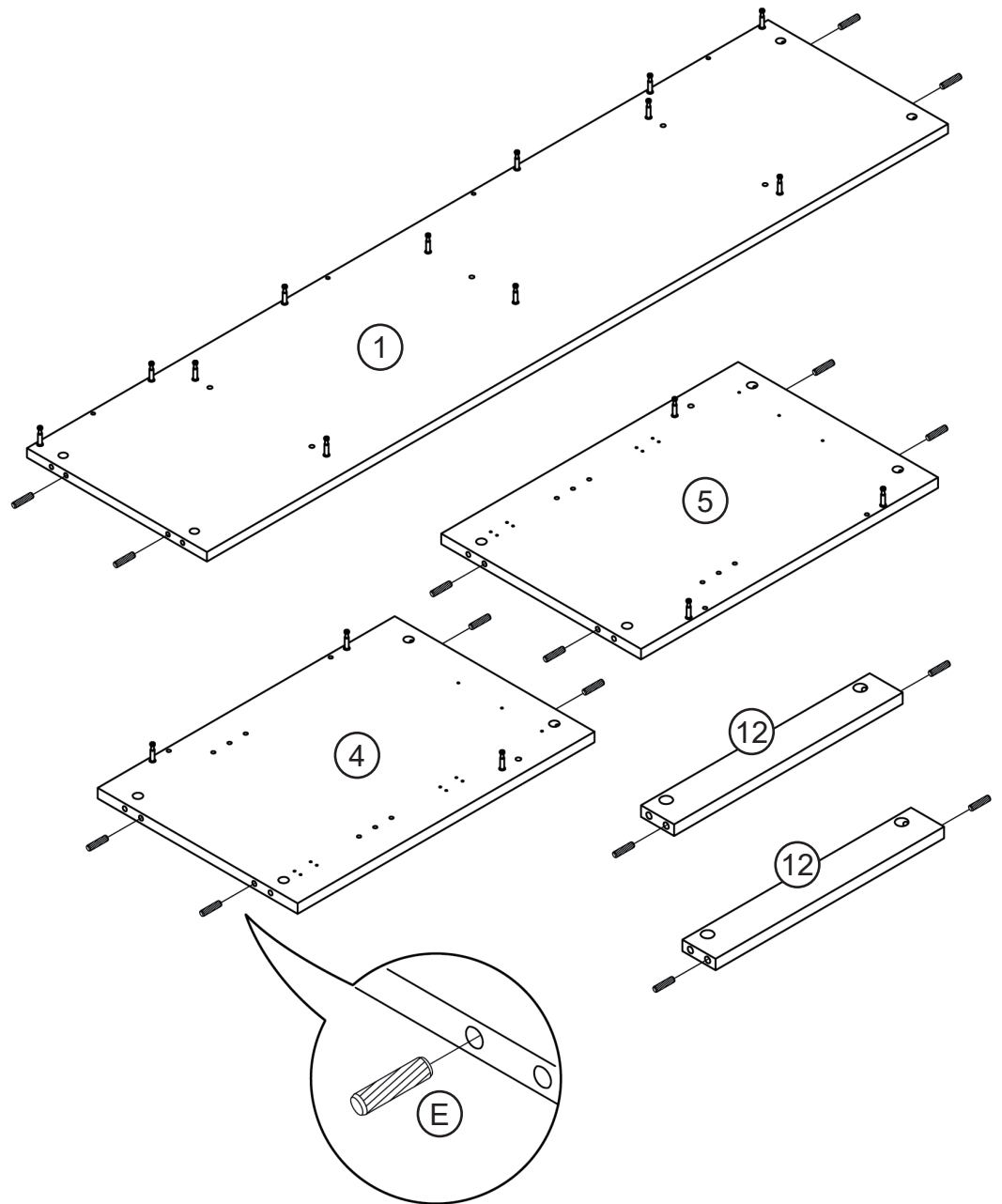
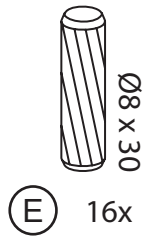
# 21

Attach cam bolts to the top panel (1), the lateral panels (4, 5), and the rounded corner strips (15).



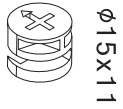
# 22

Insert wood dowels to the top panel (1), lateral panels (4, 5), and shelf crossbars (12).

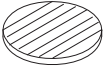


# 23

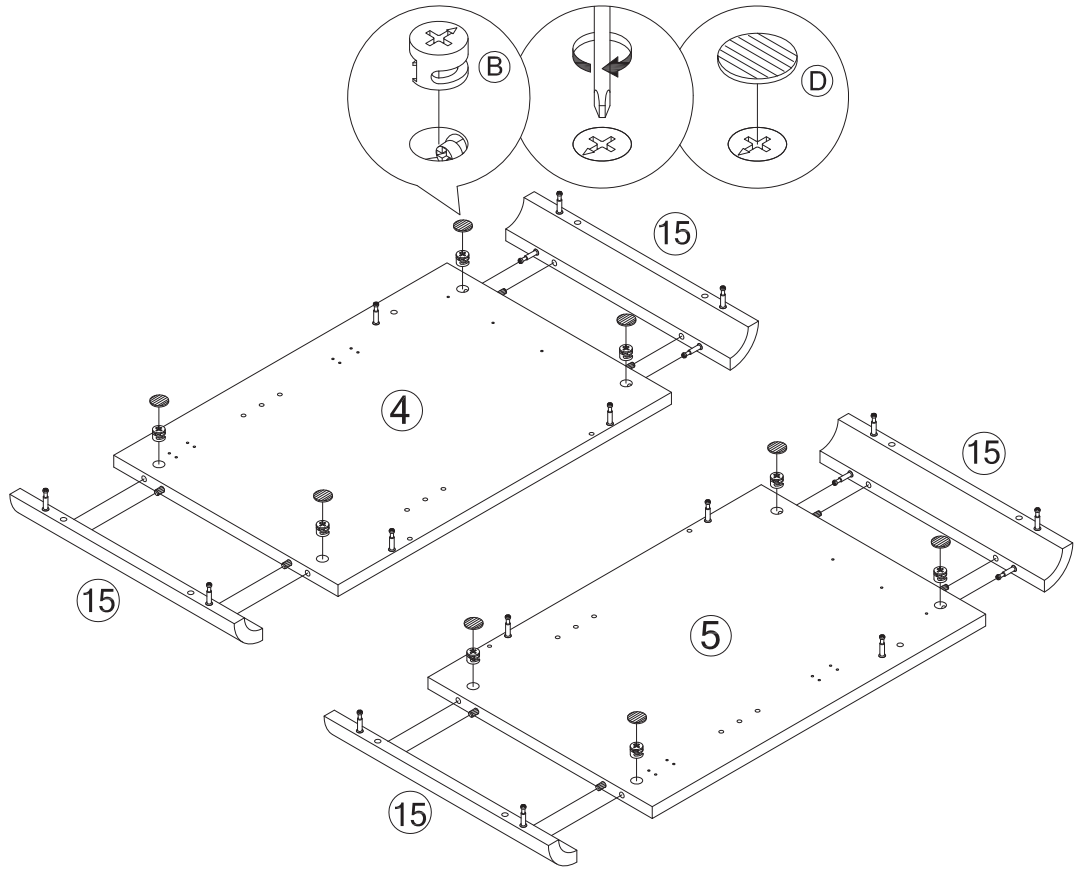
Assemble the rounded corner strips (15) to the lateral panels (4, 5)



**B** 8x

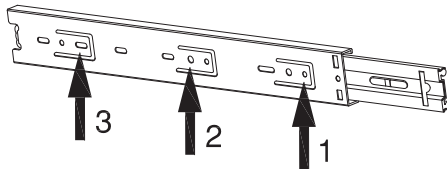


**D** 8x



# 24

Attach slide brackets to the lateral panels (4, 5).

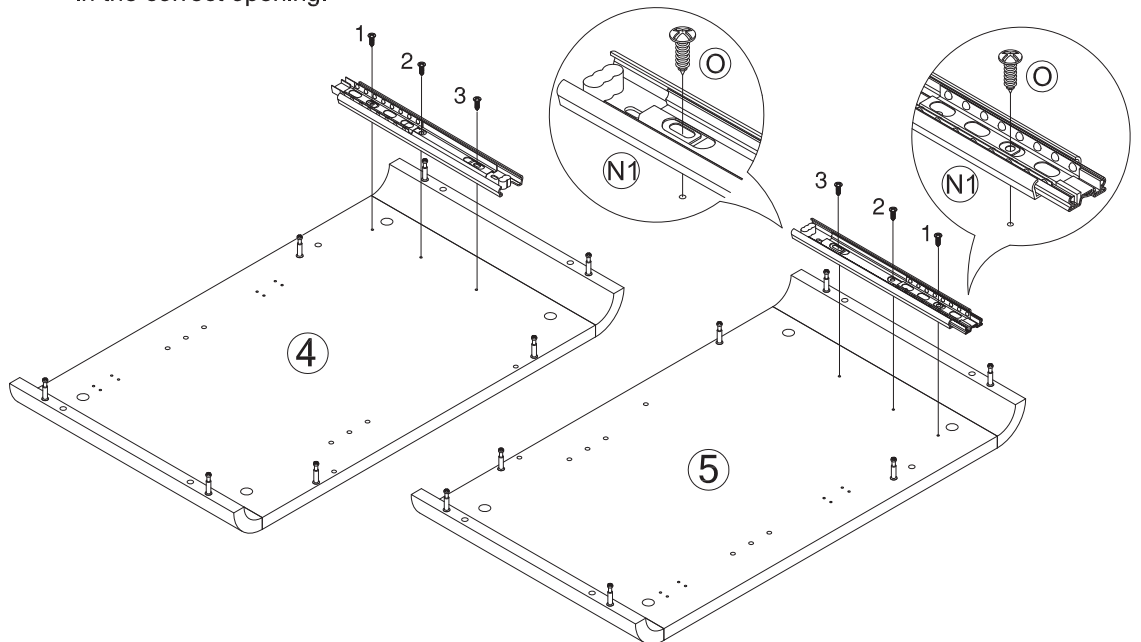


Make sure to insert screws in the correct opening.

**N1** 2x

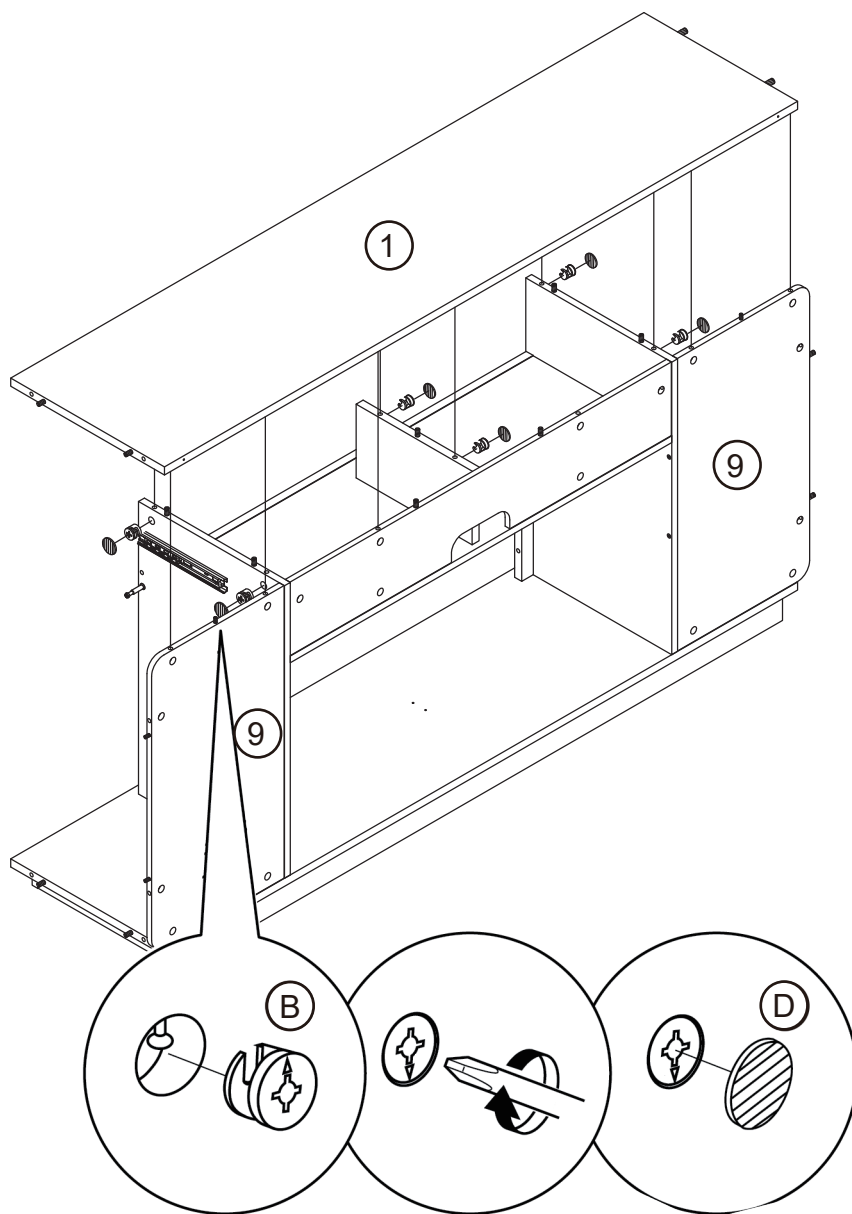
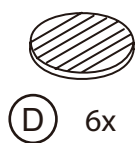
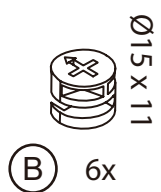


**O** 6x



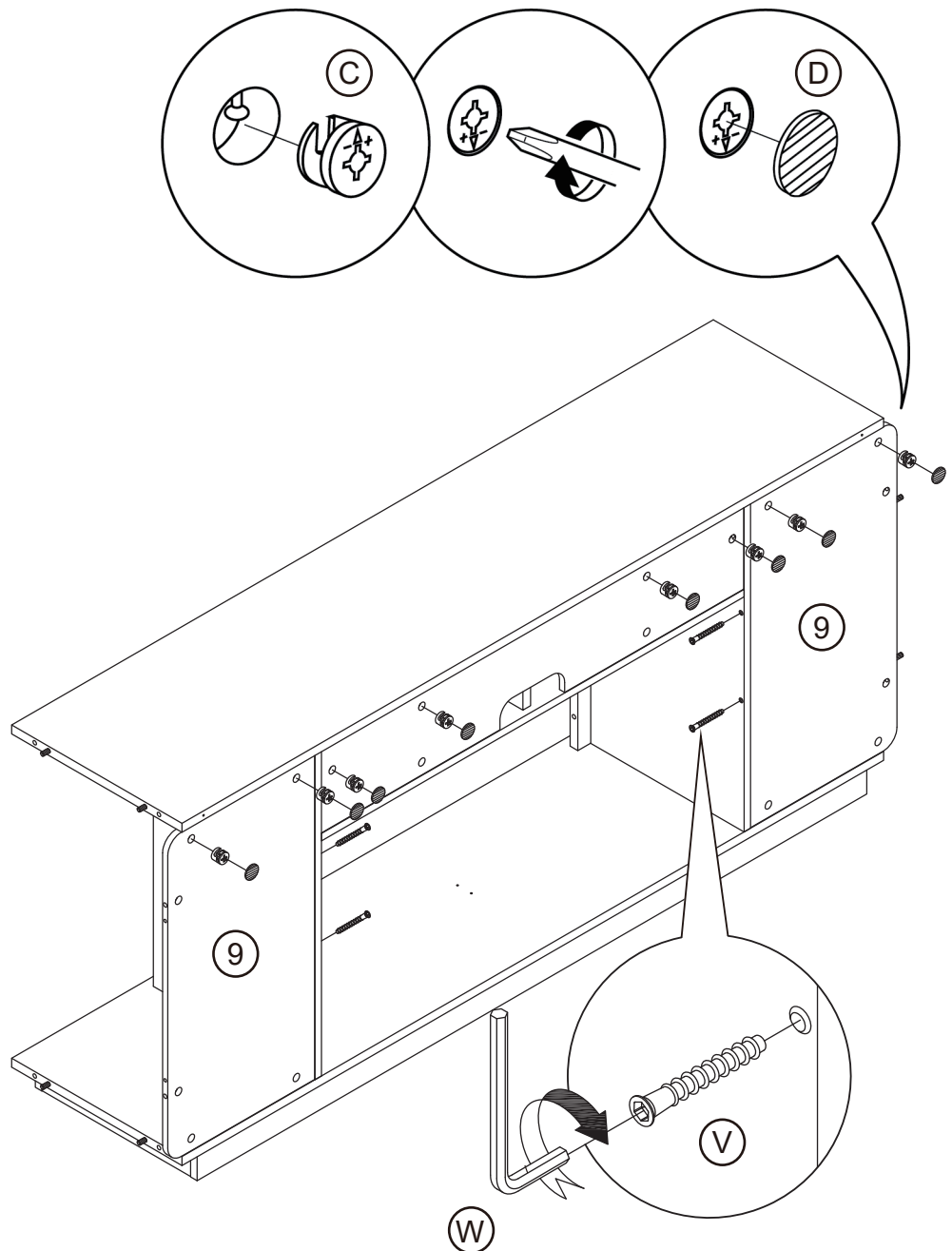
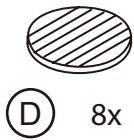
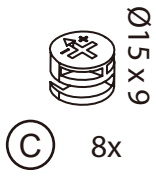
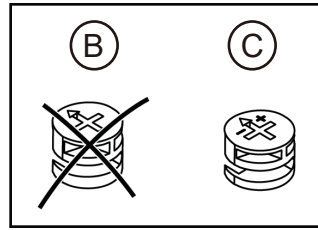
# 25

Assemble the top panel (1) on top of the stand assembly.





# 26

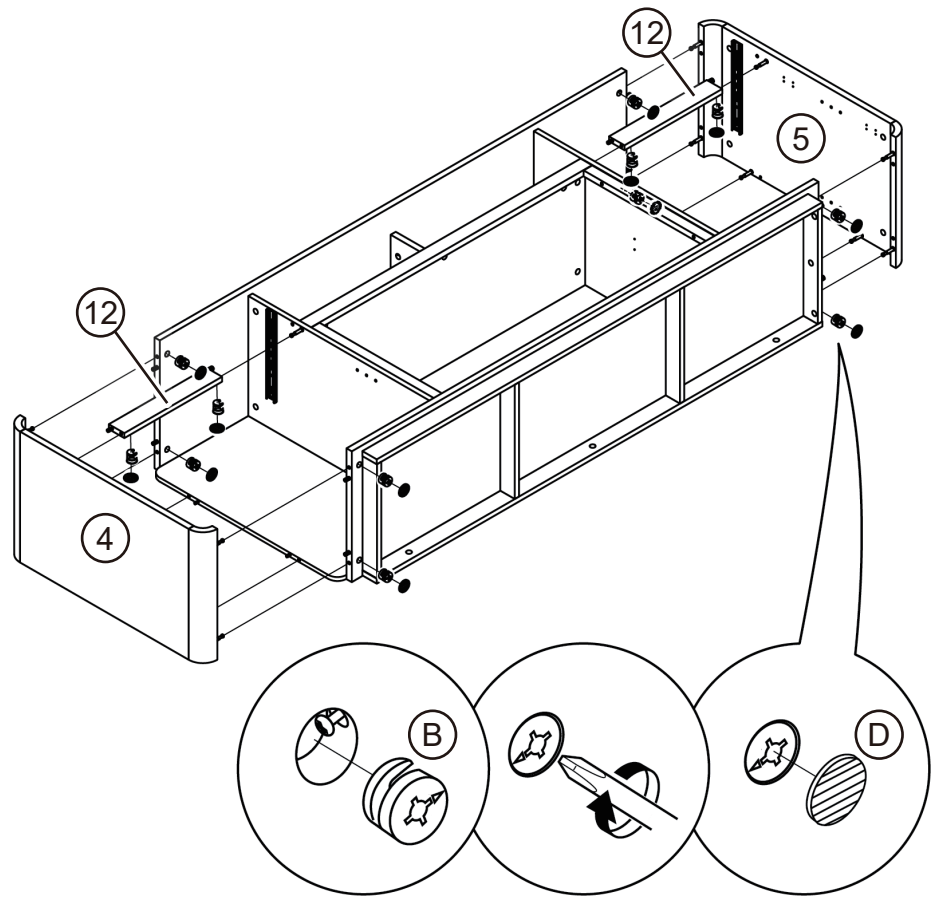
Secure the side back panels to the medial panels and top panel.



# 27

Assemble the shelf crossbars (12) and lateral panels (4, 5) to the stand assembly.



-  Ø15 x 11  
B 12x
-  D 12x

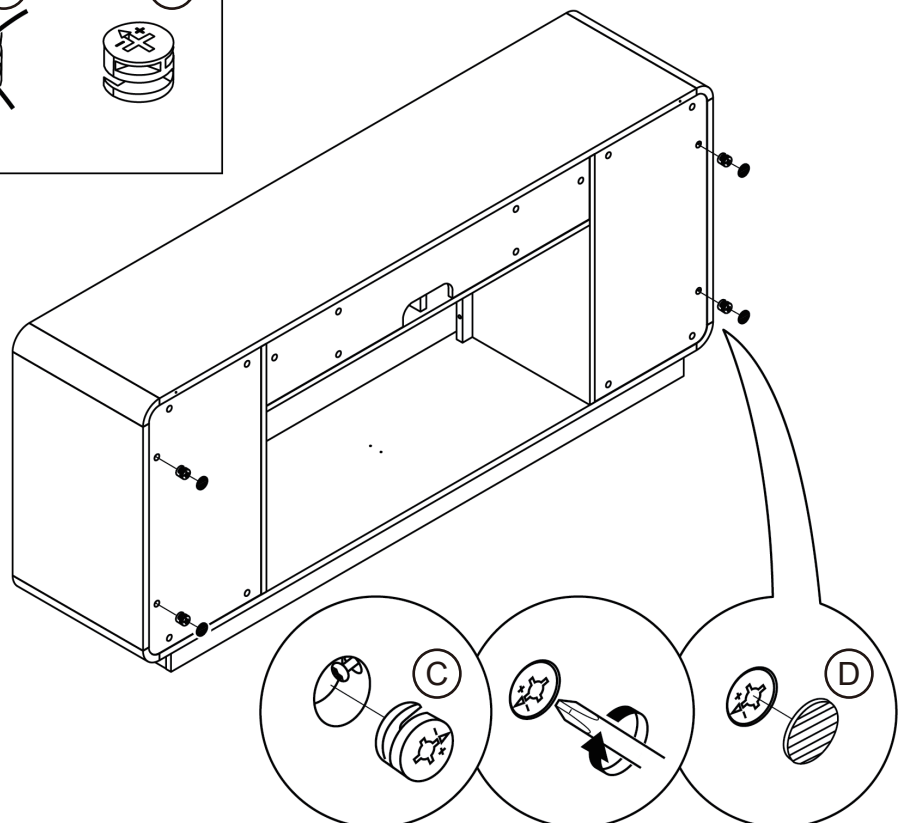
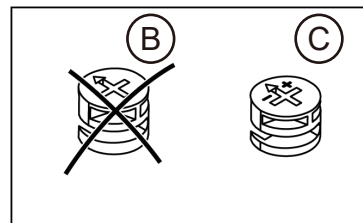


# 28

Secure the lateral panels to the side back panels.

Note: Make sure to use the correct hardware.

-  Ø15 x 9  
C 4x
-  D 4x



# 29

Attach sliders to the drawer side panels (20, 21).

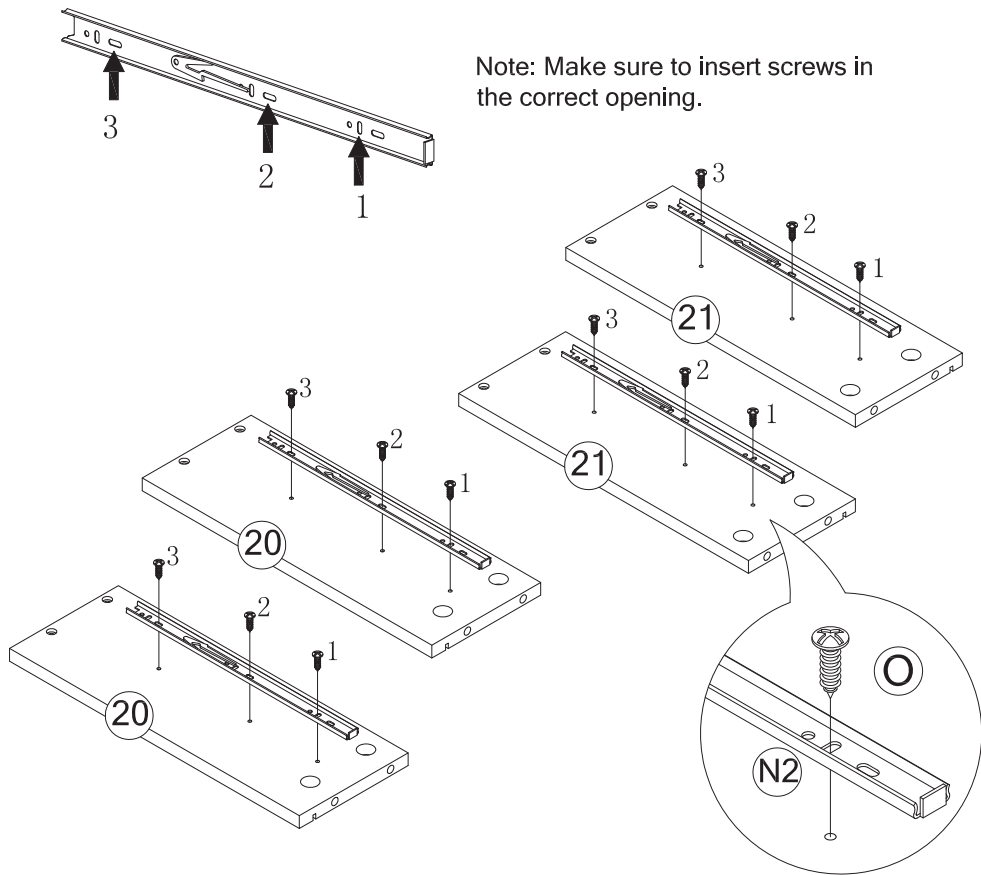


(N2) 4x



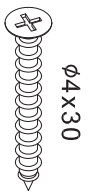
(O) 12x

Note: Make sure to insert screws in the correct opening.



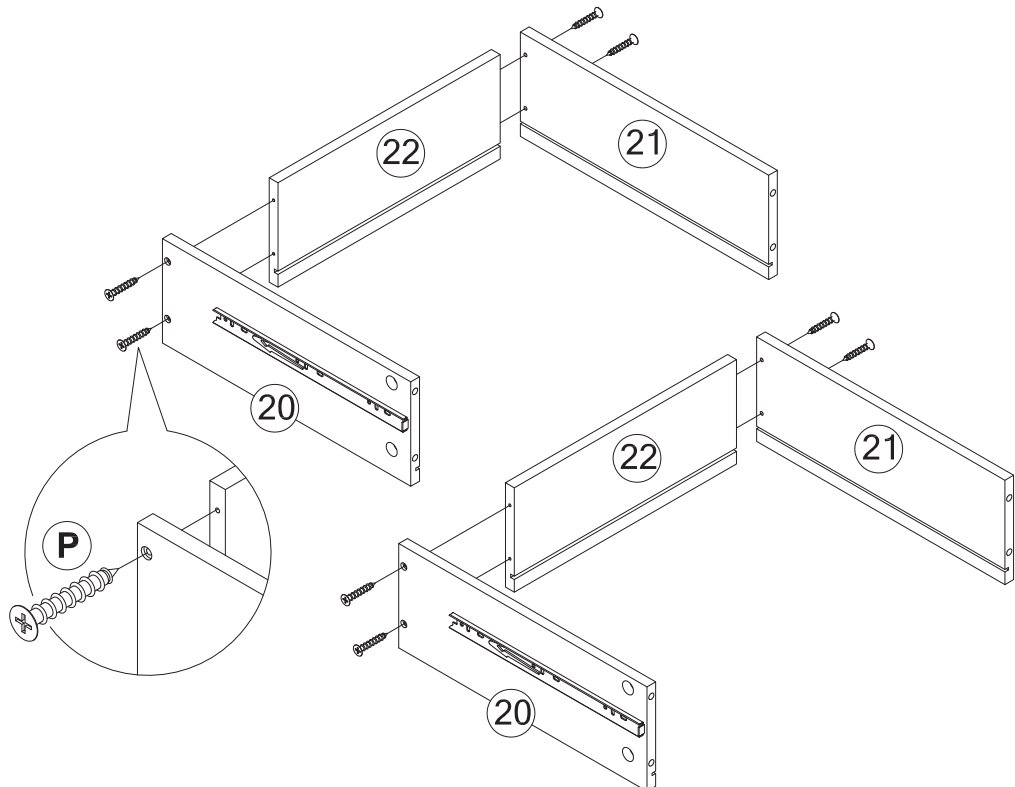
# 30

Assemble drawer back panel (22) between the drawer side panels (20, 21).



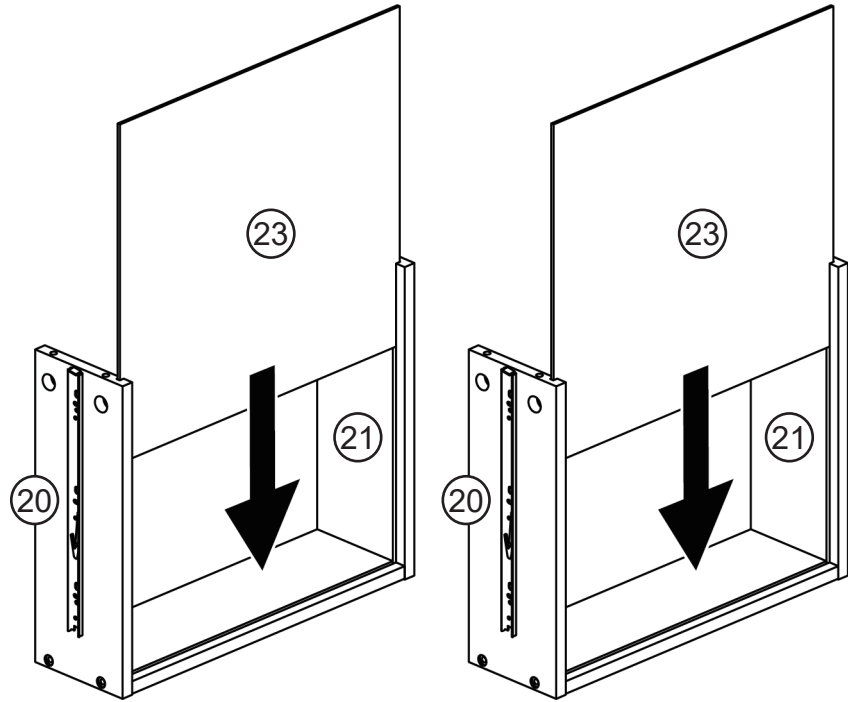
φ4x30

(P) 8x



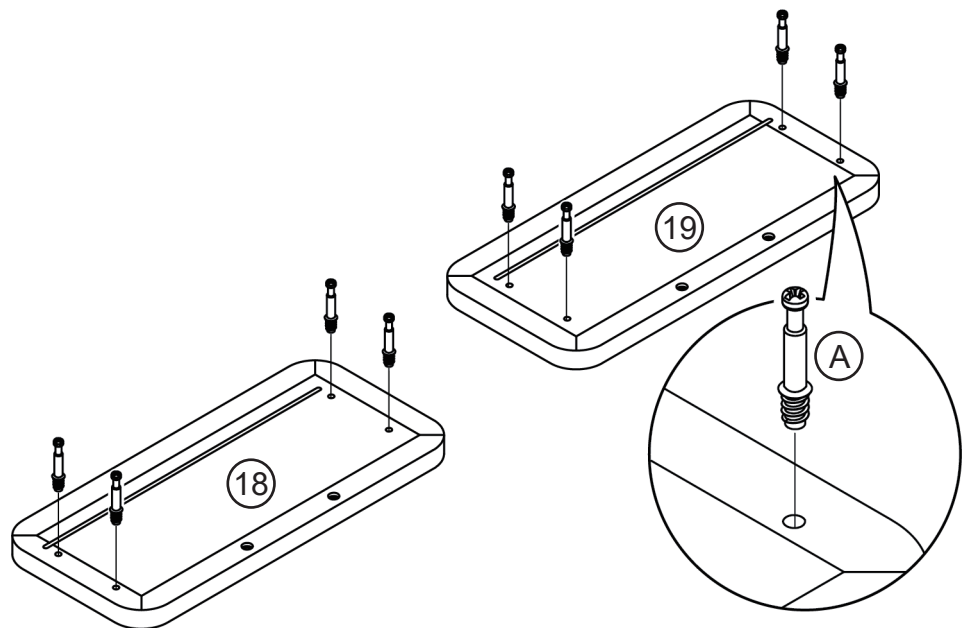
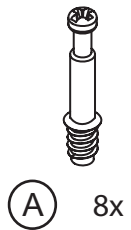
# 31

Slide the drawer bottom panel into the drawer assembly.



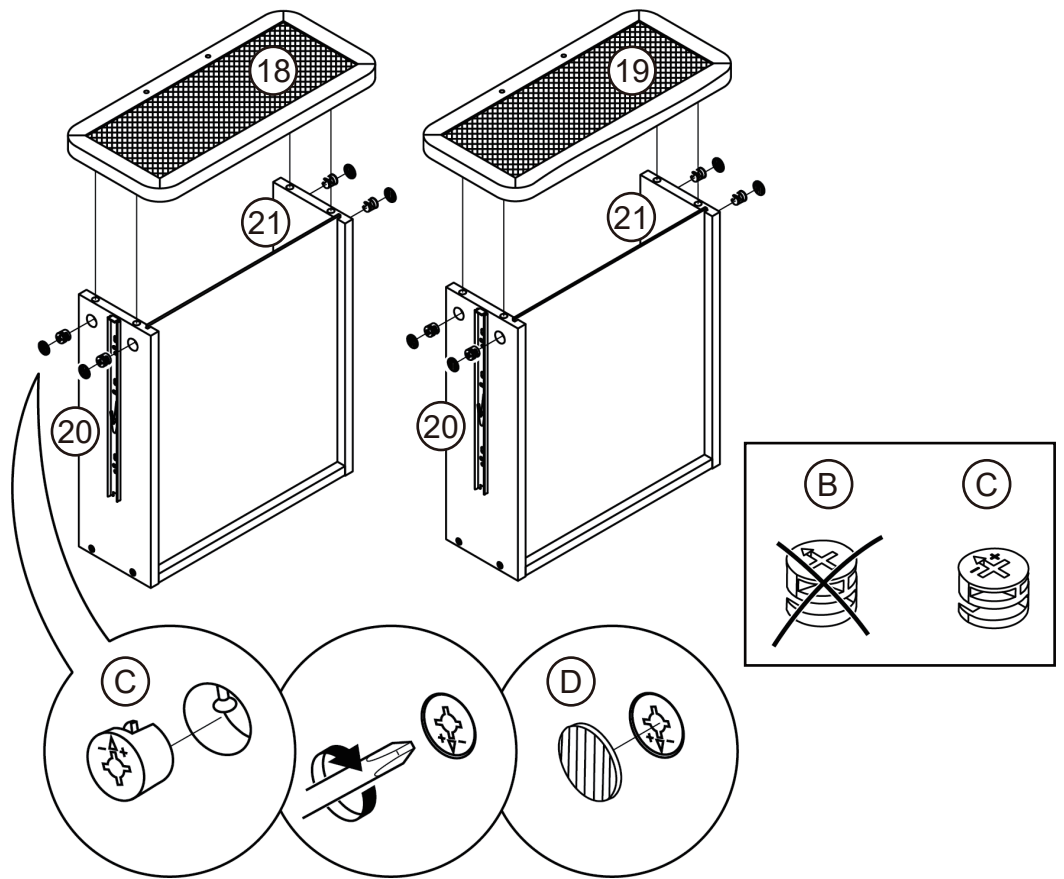
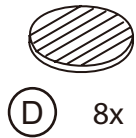
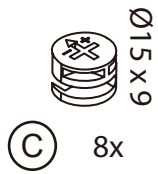
# 32

Attach cam bolts to the drawer front panels (18, 19).



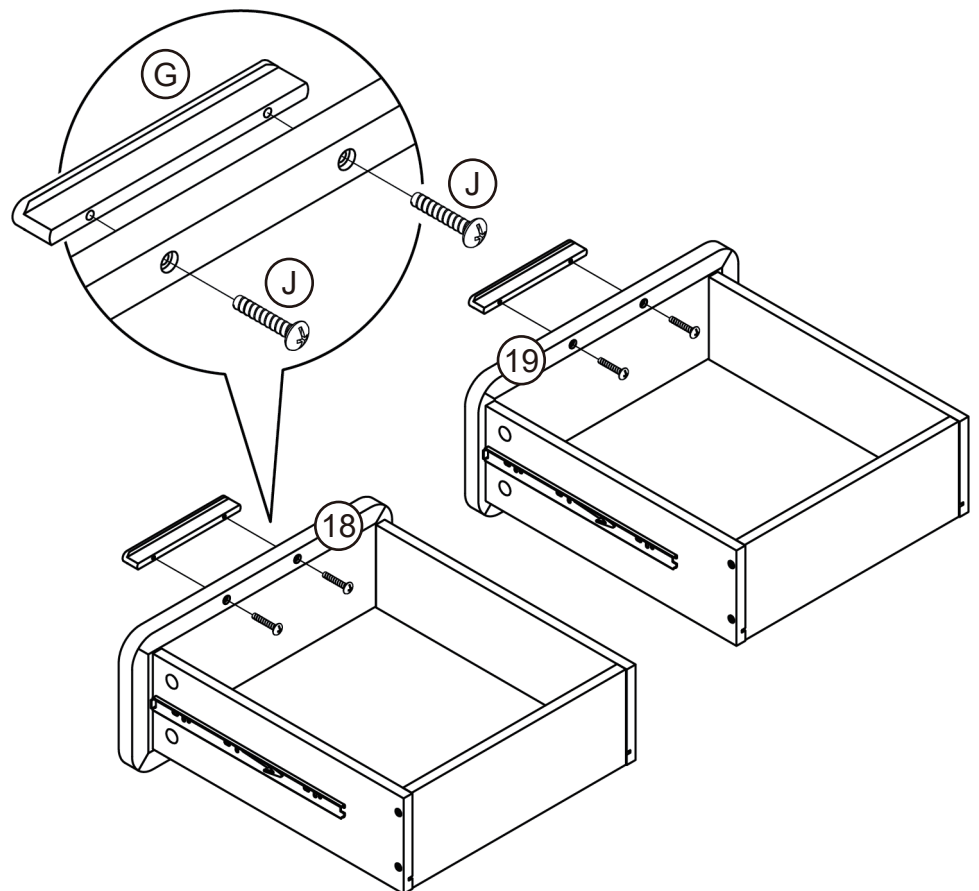
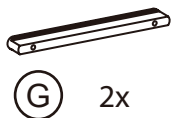
# 33

Assemble drawer front panels (18, 19) to the drawer assembly.



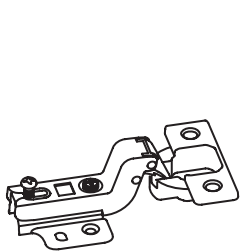
# 34

Attache drawer handles to the drawer front panels.



# 35

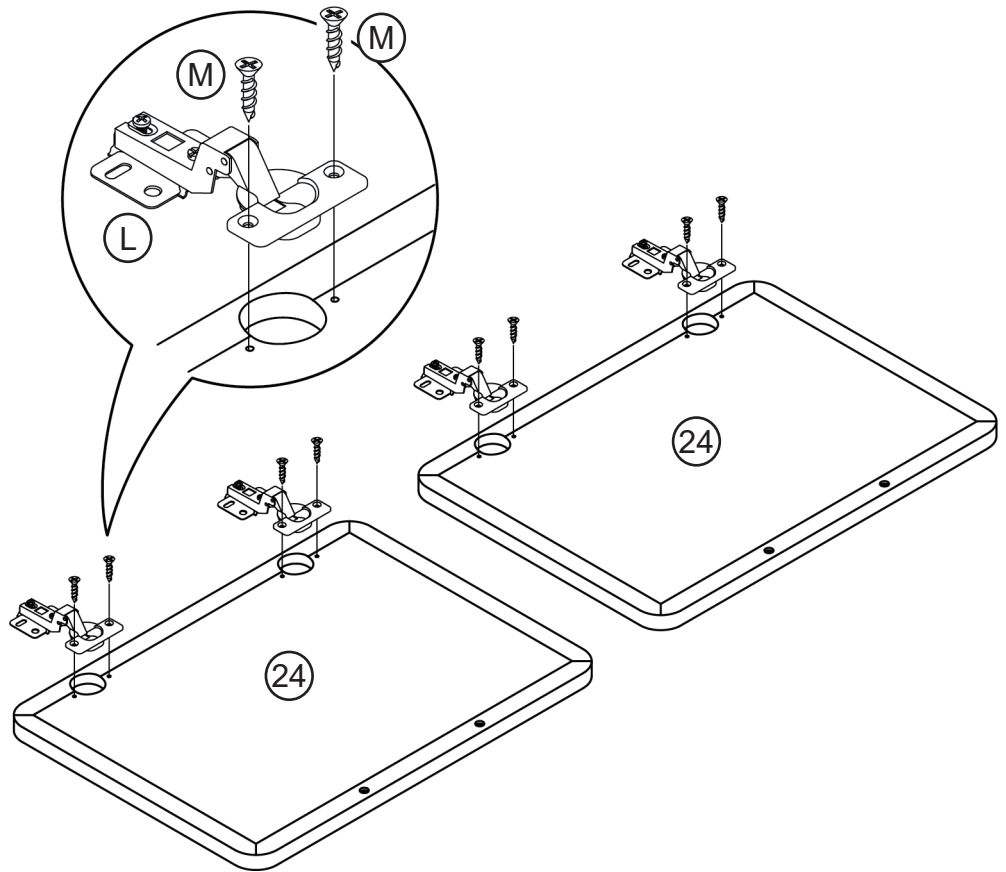
Attach door hinges to the cabinet doors (24).



(L) 4x



(M) 8x



# 36

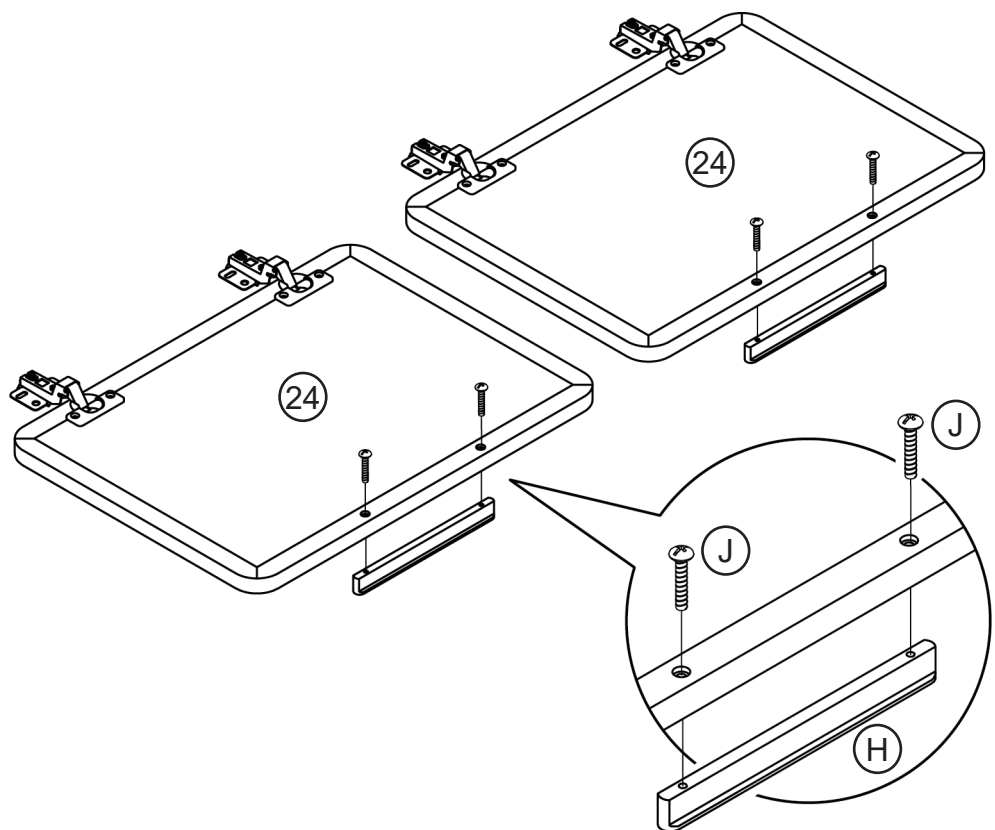
Attach door handles to the cabinet doors (24).



(H) 2x



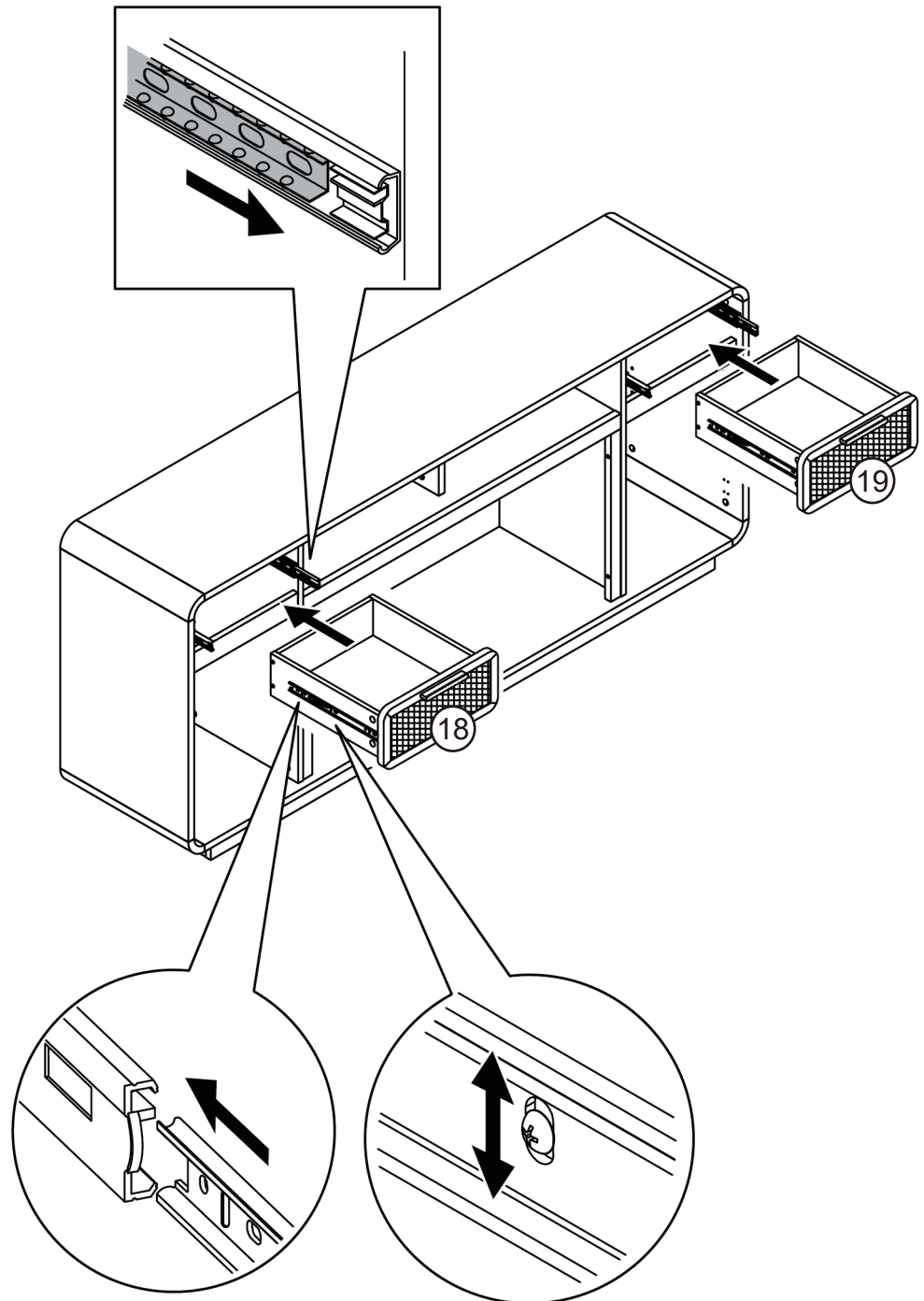
(J) 4x



# 37

Slide drawers into the stand.

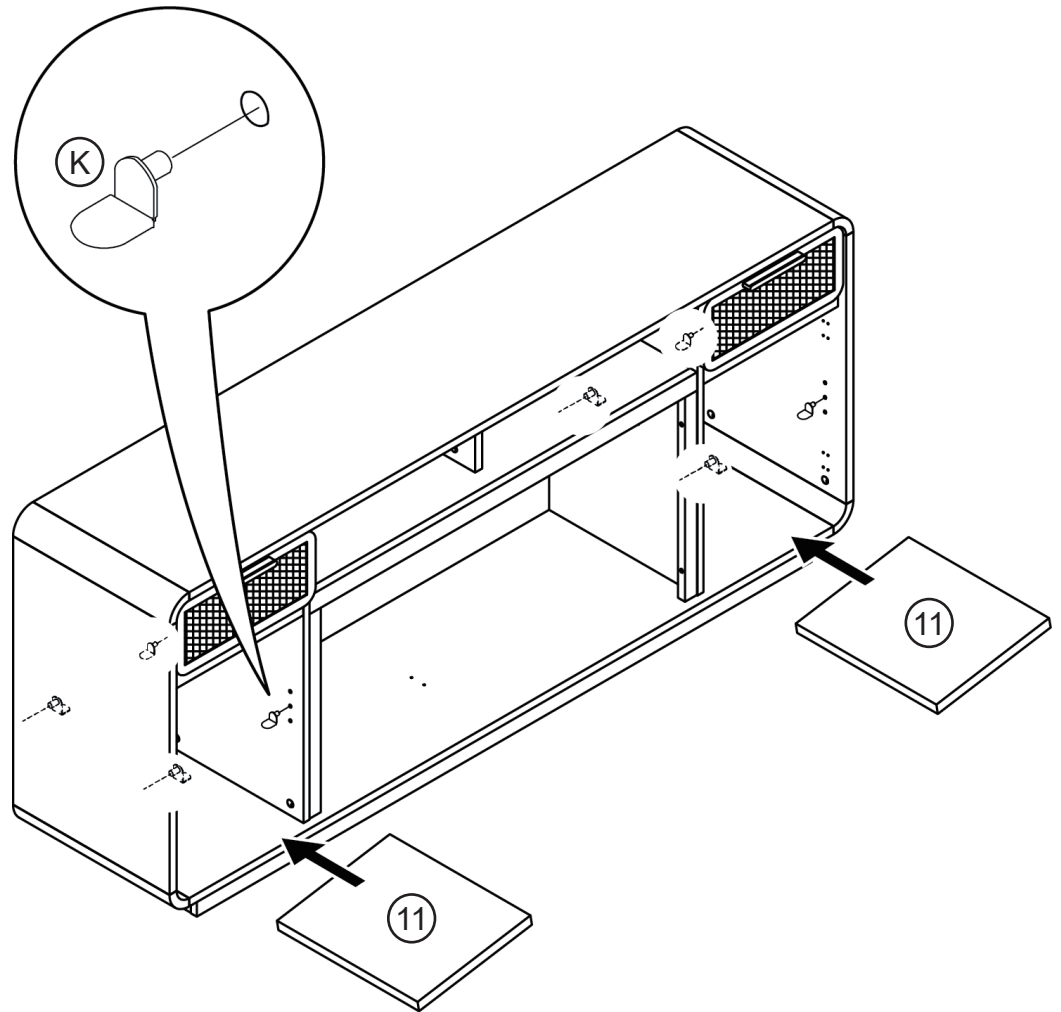
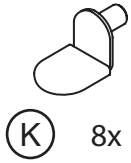
Slide the slider plate to the forward position.



Up and down adjustment by loosening the screws on the slide runner.

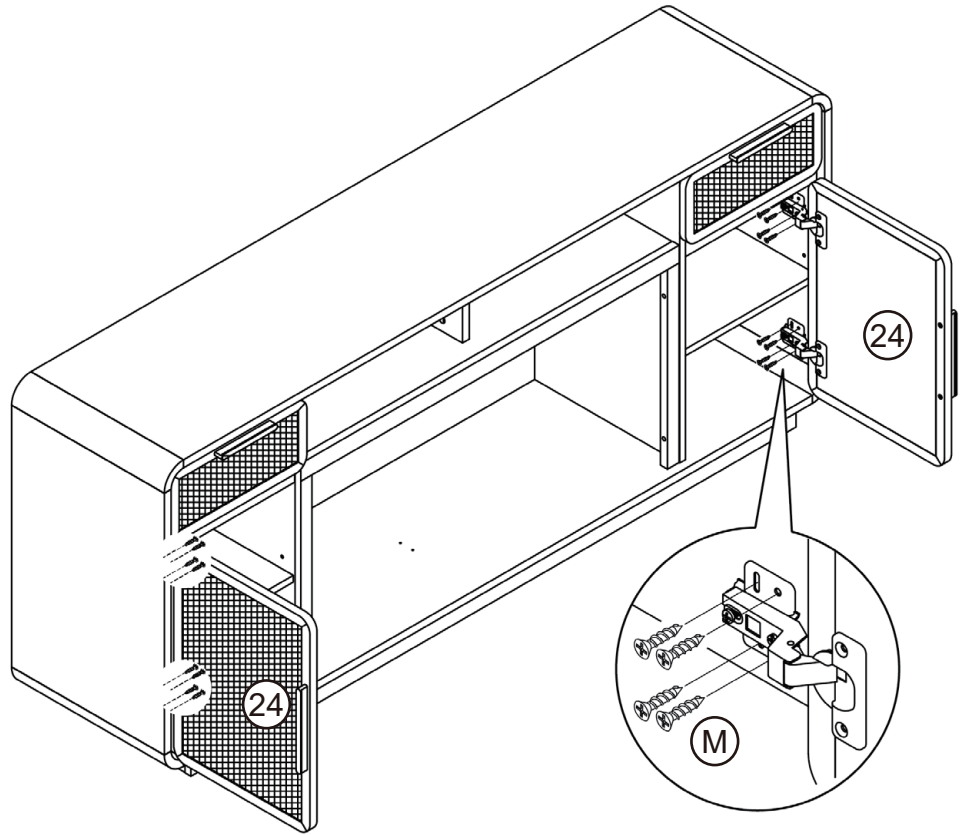
# 38

Insert shelf pegs into the stand and put shelf panels (11) onto the pegs

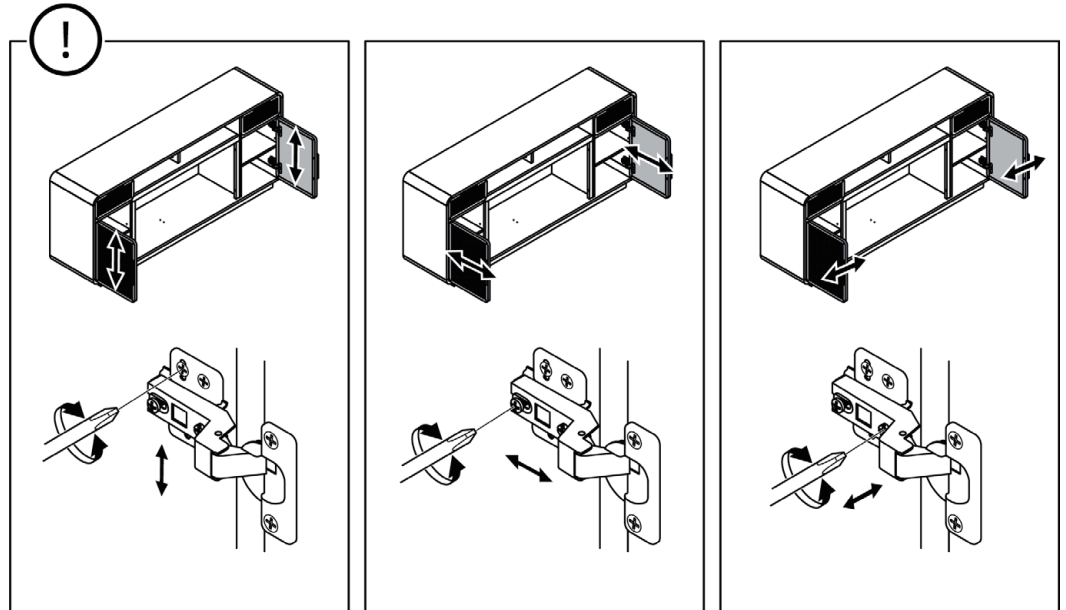


# 39

Attach cabinet doors to the stand.



When the clearance of the door is uneven, Adjust the cabinet door according to the figure. If you still have trouble while adjusting the door, please contact us.



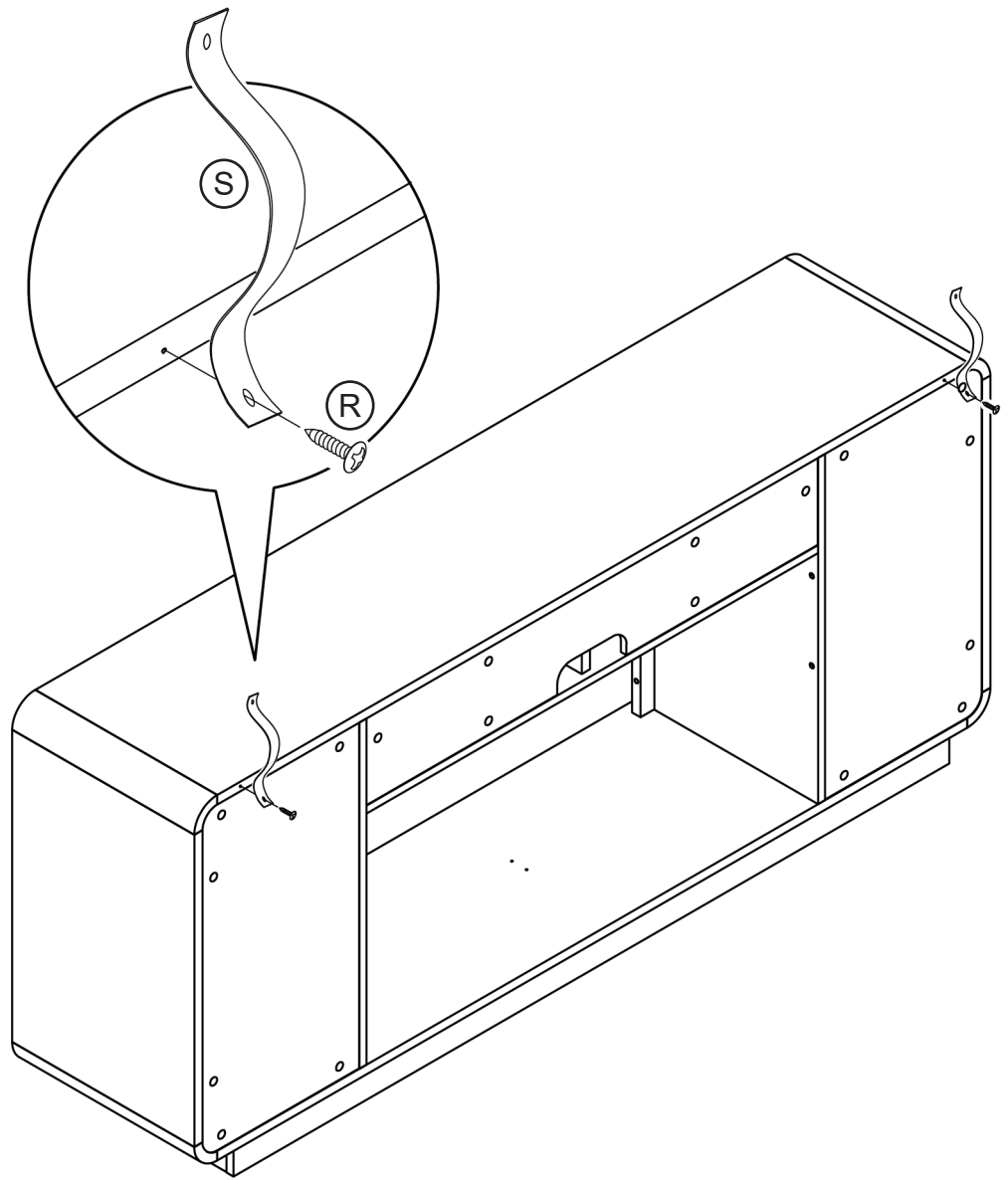
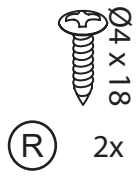
Up and down adjustment by loosening the screws on the mounting plate.

In and out adjustment by loosening the screws on the hinge arm.

Side to side adjustment using the front adjustment screw on the hinge.

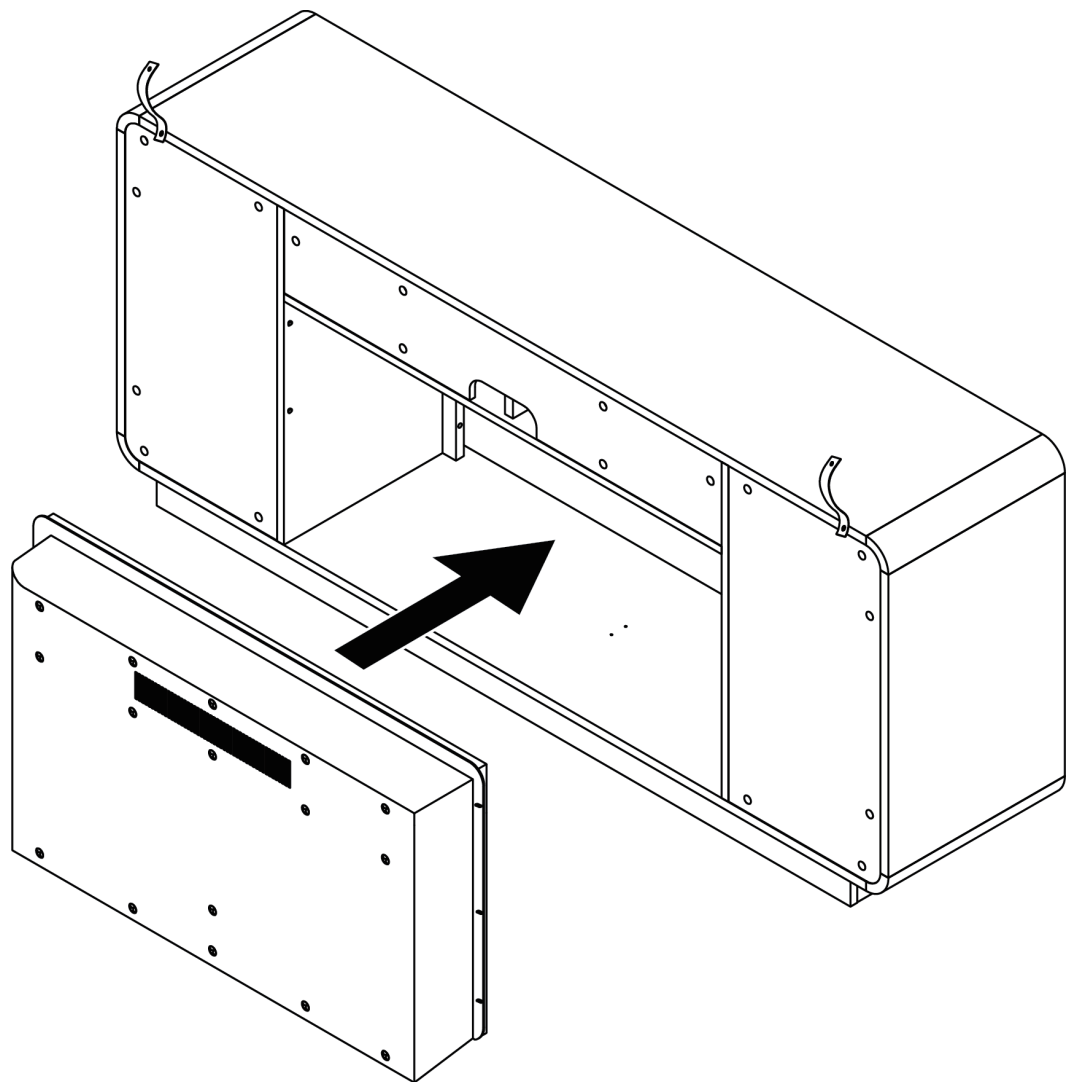
# 40

Attach anti-tipping straps to the back of the stand.



# 41

Install a fireplace heater to the fireplace mantel.



Set the fireplace heater from the back of the mantel and center it in the opening.

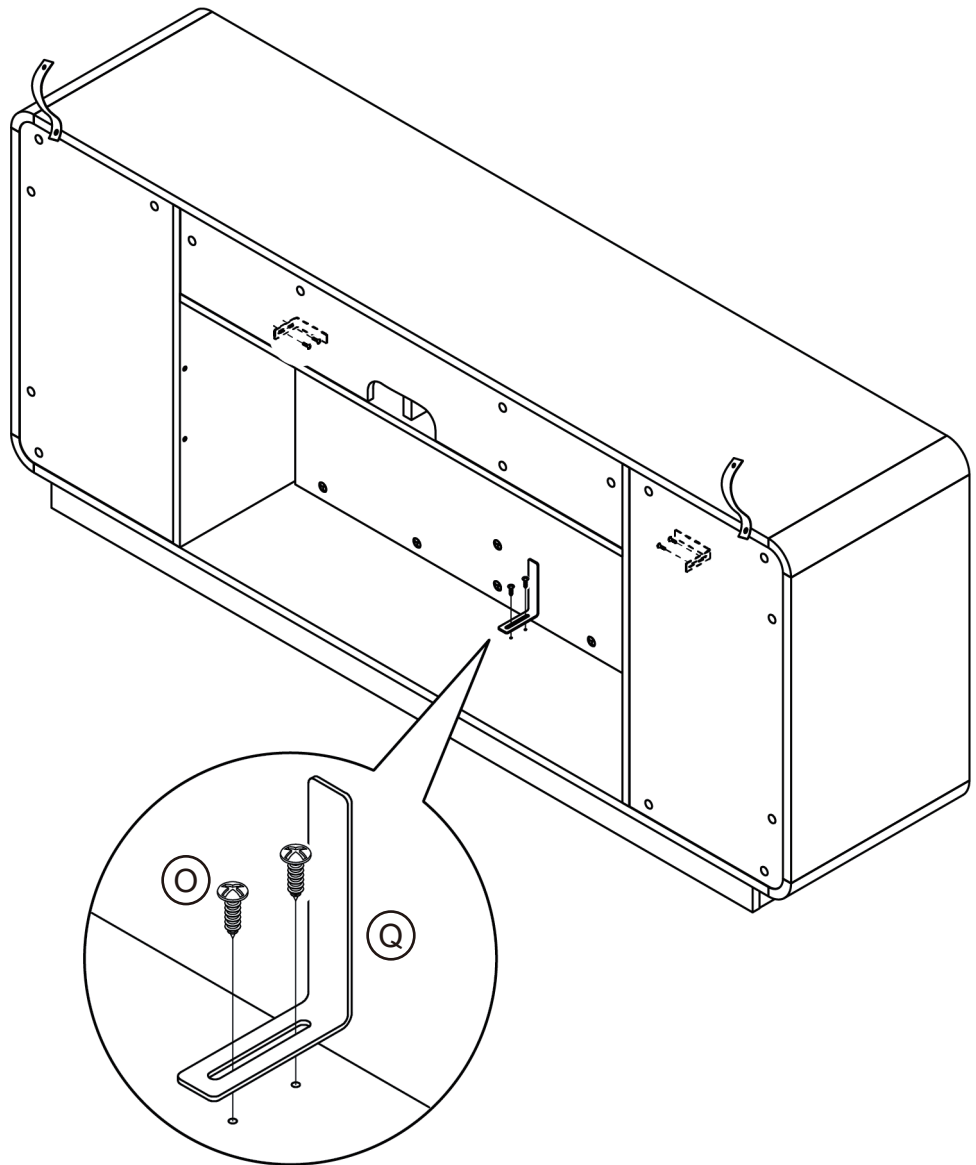
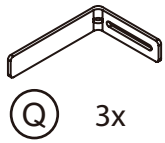
For the exact instruction, please refer to the user's manual provided with the fireplace heater.

NOTE: Do not attempt to install the unit from the front of the mantel. It will not fit.

⚠ Attention: Be careful when handling glass panel.

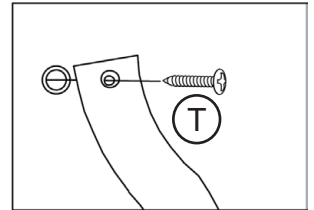
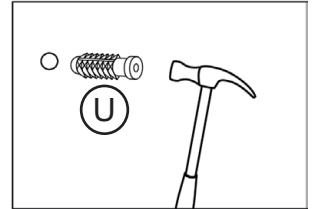
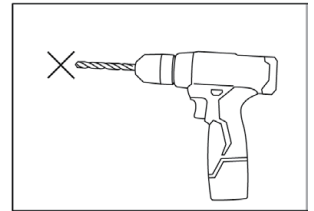
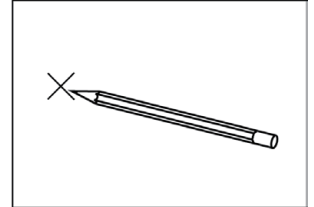
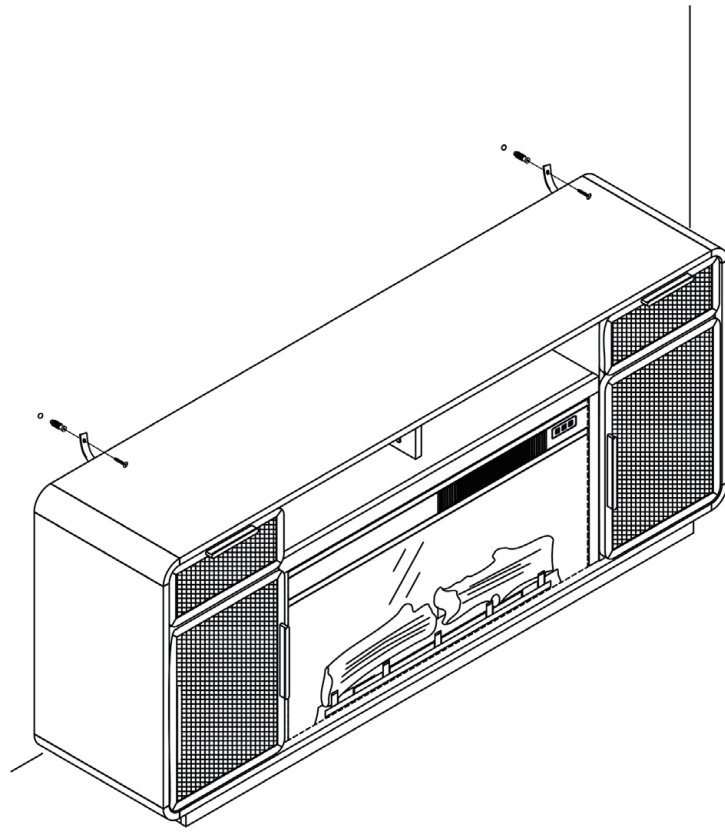
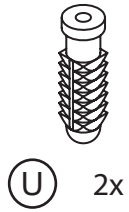
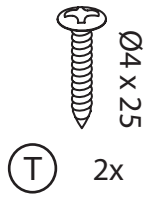
# 42

Secure the fireplace heater in place.



# 43

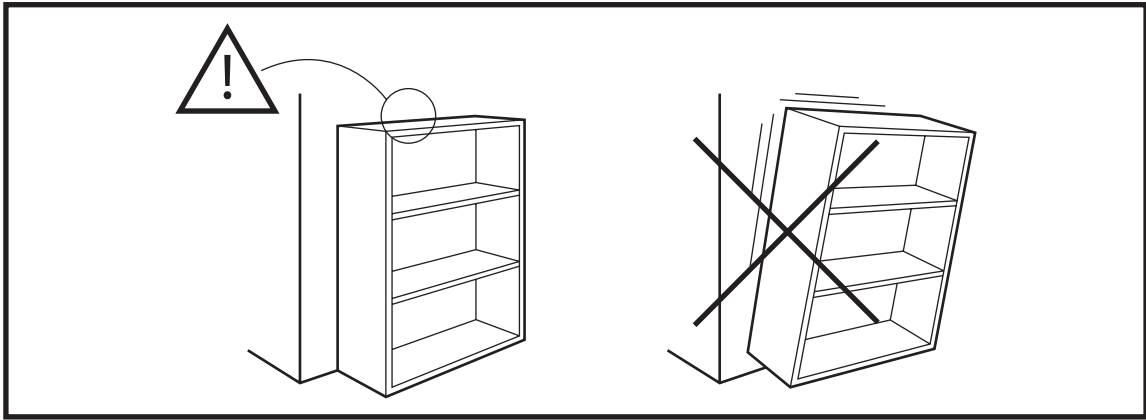
Affix the stand to a wall.



Furniture must permanently fixed to the wall stud with included anti-tipping device to prevent the furniture from tipping over.

- Mark the drill position on the wall with a pencil.
- Drill a small hole on the marked position.
- Insert a wall anchor into the drilled hole.
- Fixed the anti-tipping strap to the wall with provided screws.

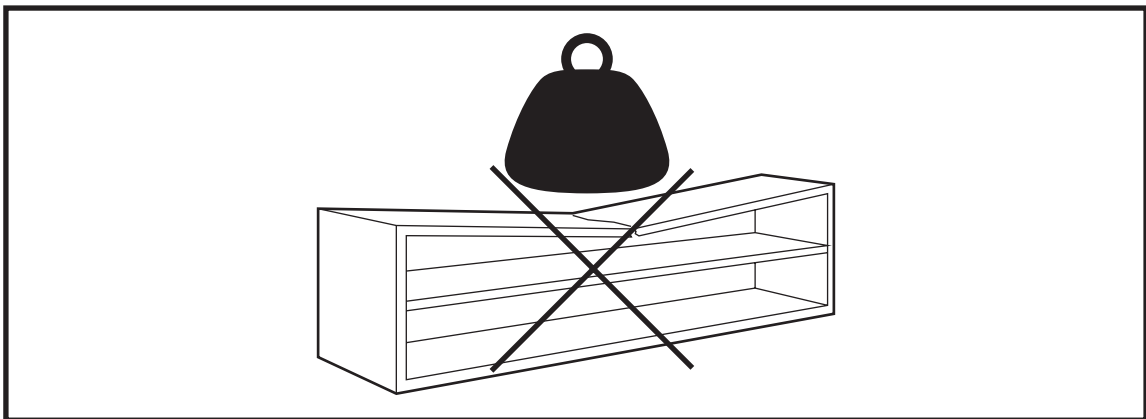
## YOU'RE FINISHED!



## Warning

Serious or fatal crushing injuries may occur if the furniture tip-over. Furniture must permanently affixed to the wall with included anti-tipping device in order to prevent the furniture from tipping over.

Different wall materials requires different types of wall anchors or screws. Use a suitable wall anchors or screws for your specific wall in order to secure the stability and load bearing capacity of the furniture. If you are uncertain about which type of device to use, please contact us or your local hardware store.



## Warning

Only place items on top of the product if they meet the recommended size and weight limits.

Climbing on, stepping on, or placing overweighted objects on the product may cause property damage and/or injuries.

Items placed onto this product must be resting on a support surface without hanging over the edges.

## WARNING

For use with televisions weighing 70lbs (31.8kg) or less. Use with heavier televisions may result in instability, causing tip over resulting in death or serious injury.

Death or serious injury may occur when children climb on audio and/or video equipment furniture. A remote control or toys placed on the furnishing may encourage a child to climb on the furnishing and as a result the furnishing may tip over on to the child.

Relocating audio and/or video equipment to furniture not specifically designed to support audio and/or video equipment may result in death or serious injury due to the furnishing collapsing or over turning onto a child.

## NOTICE

The recommended maximum width of the television is 75 inches. Do not exceed the maximum load capacity.

This product is designed for flat panel TVs only.

## FURNITURE CARE AND MAINTENANCE

### Medium - Density Fiberboard

Thank you for your purchase. We want your item to last as long as possible. To ensure the product gives you years of longevity, please follow the recommendations in this care and maintenance guide.



#### MAINTENANCE

- Tighten all bolts and screws again within the first 2 weeks of assembly.
- Check the tightness of all bolts every 2 months and tighten them if necessary.



#### CLEANING

- Clean the surface of the MDF (medium - density fiberboard) with a lightly dampened cloth.
- A small amount of mild soap can be used if necessary.
- Dry the surface immediately after cleaning.

⚠ DO NOT use bleach or alcohol to clean the surface.

⚠ DO NOT apply wood treatment on parts made with MDF.

MDF will swell and distort when exposed to water damage. Make sure to dry the furniture immediately after cleaning.

### ⚠ WARNING

The manufacturer and seller are not responsible for any and all liability relating to personal injury, property damage or losses, whether direct, indirect, or incidental, resulting from the incorrect attachment, improper use, inadequate maintenance, unapproved modification or neglect of this product.