

Installation Instruction

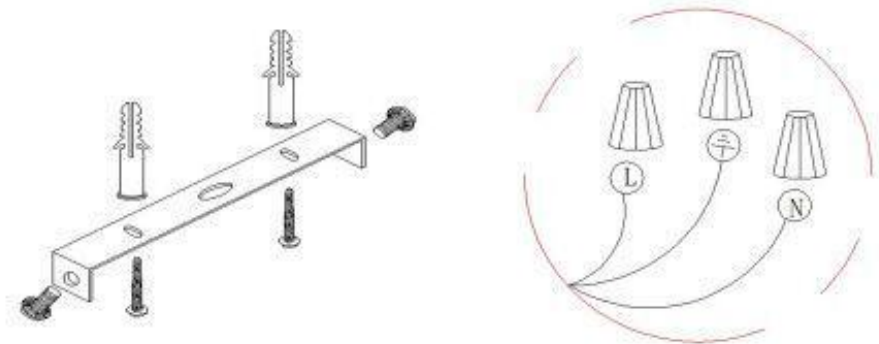
Product Parameters

Input Voltage: AC110V

Adjustable Height: 1 Meter



Please Power on Test then Installation!



Accessories

Quantity

Screw-socket

2

Lamp holder

2

Lamp Plate

1

L/N TO Input Voltage

+/- Contact Light

