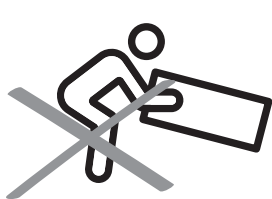


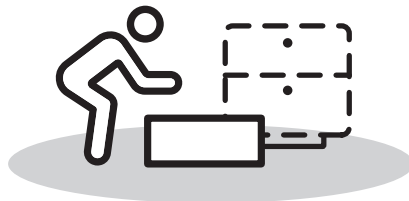
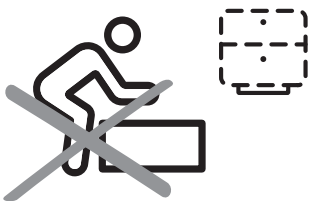
PRE ASSEMBLY INTRODUCTION

We understand building ready-to-assemble furniture can be a challenging experience for some. To help avoid confusion, we have provided some helpful tips that may speed up the process.



Teamwork

ALWAYS have at least two people to help with transporting and assembling the product to avoid potential injury and/or damage.



Suitable Location

Assembling near the area of the intended location is highly recommended.



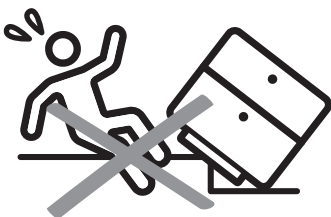
Sufficient Space

Make sure you have enough space to move around during the assembly.



Avoid Scratches

Use cardboard, blankets or a carpeted area while assembling furniture to prevent scratches.



Flat Surface

Make sure the furniture rests on a flat and level surface with each leg evenly touching the floor.

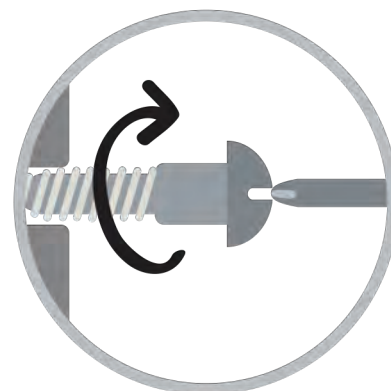
ASSEMBLY AND CARE ADVICE



FAILURE TO FOLLOW THE GUIDELINES BELOW MAY RESULT IN INJURY AND/OR PROPERTY DAMAGE.



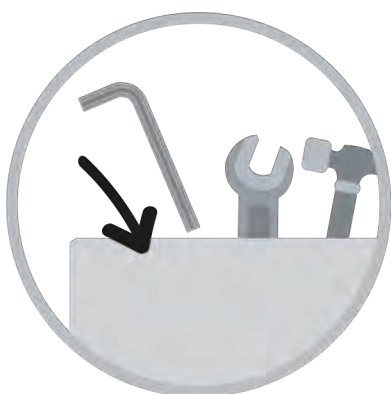
Position each part correctly and insert screws or bolts into their respective holes.



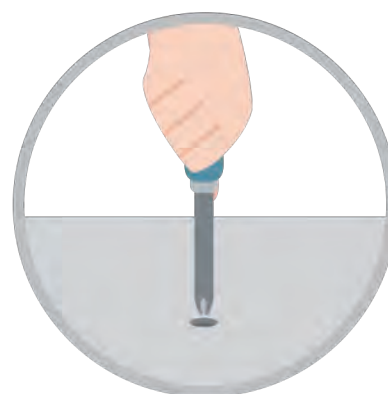
Turn clockwise to tighten and only tighten when step is completed or when instructed to do so.



Use the appropriate hand tools or power tools for assembly. Select steps, such as tightening screws and/or bolts, may require hand tools to avoid causing damage during assembly.



Save the instructions and store any supplied tools for later maintenance.



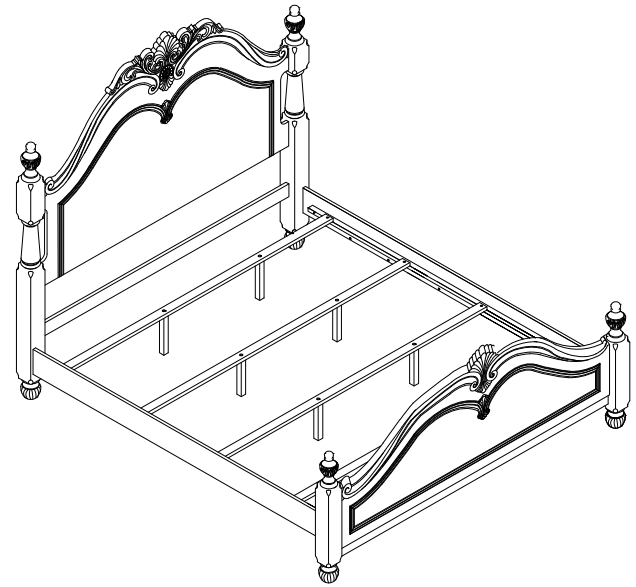
After two weeks, check and tighten any loose hardware and repeat again every six months thereafter.

IT IS THE USER'S RESPONSIBILITY TO MAINTAIN THE FURNITURE. THE HARDWARE MAY LOOSEN OVER TIME AND MAY CAUSE THE FURNITURE TO BE WOBBLY AND UNABLE TO SUPPORT ITS INTENDED WEIGHT CAPACITY. THIS MAY LEAD TO COLLAPSE AND MAY CAUSE SERIOUS INJURY.

BED

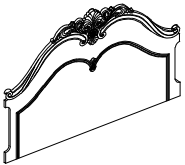


- Please keep instructions for future reference.
- Check the quantity and irregularity of parts and hardware before you start.



PARTS

#1 1pc



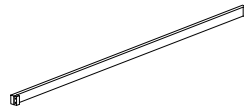
Headboard

#2 2pcs



Headboard leg
(L-R)

#3 1pc



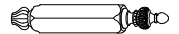
Cross Bar
Support

#4 1pcs



Footboard

#5 2pcs



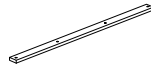
Footboard leg
(L-R)

#6 2pcs



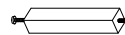
Bed Side Rails

#7 4pcs



Slats

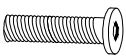
#8 8pcs



Slats Support legs

HARDWARE

#A 14pcs



Bolt Ø5/16"X45mm"

#B 14pcs



Lock Washer Ø5/16"

#C 14pcs



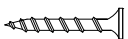
Flat Washer Ø5/16"

#D 2pcs



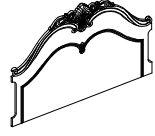
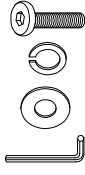
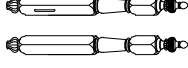
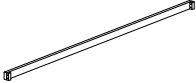

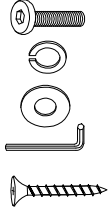


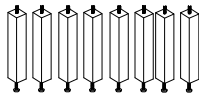
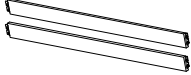
Allen Key

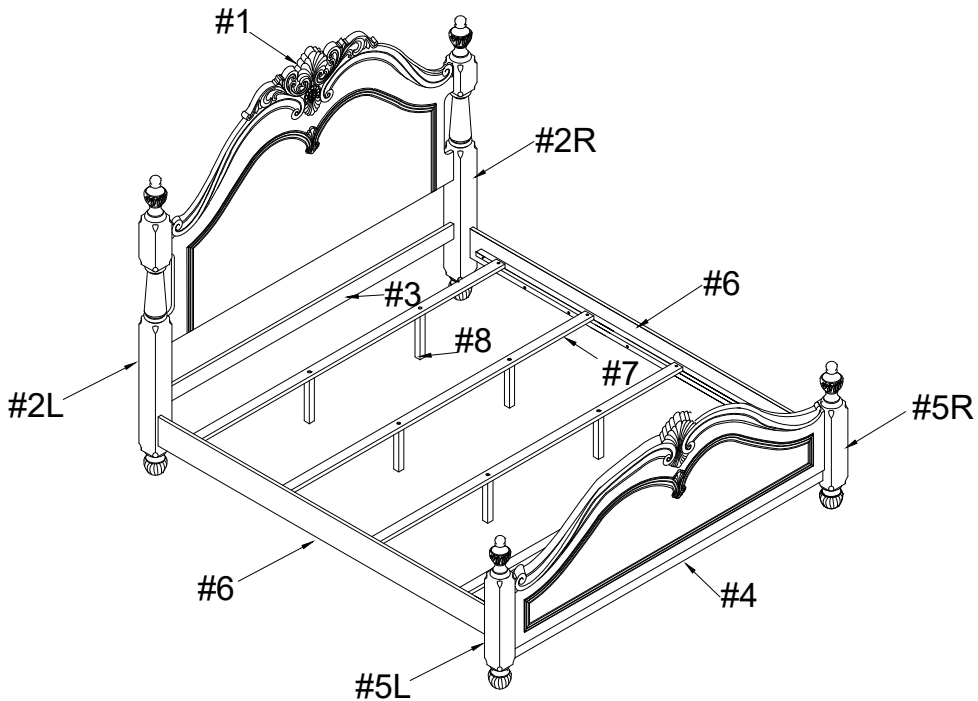
#E 8pcs



Screw

packed in 3 cases

Carton	Disignation	Part	Hardware
	Headboard Panel	#1 	 #A x 10pcs #B x 10pcs #C x 10pcs #D x 1pc
	Headboard leg (L-R)	#2 	
	Cross Bar Support	#3 	
	Footboard	#4 	 #A x 4pcs #B x 4pcs #C x 4pcs #D x 1pc #E x 8pcs
	Footboard leg (L-R)	#5 	
	Slats	#7 	
	Slats Surpport legs	#8 	
	Side Rails	#6 	

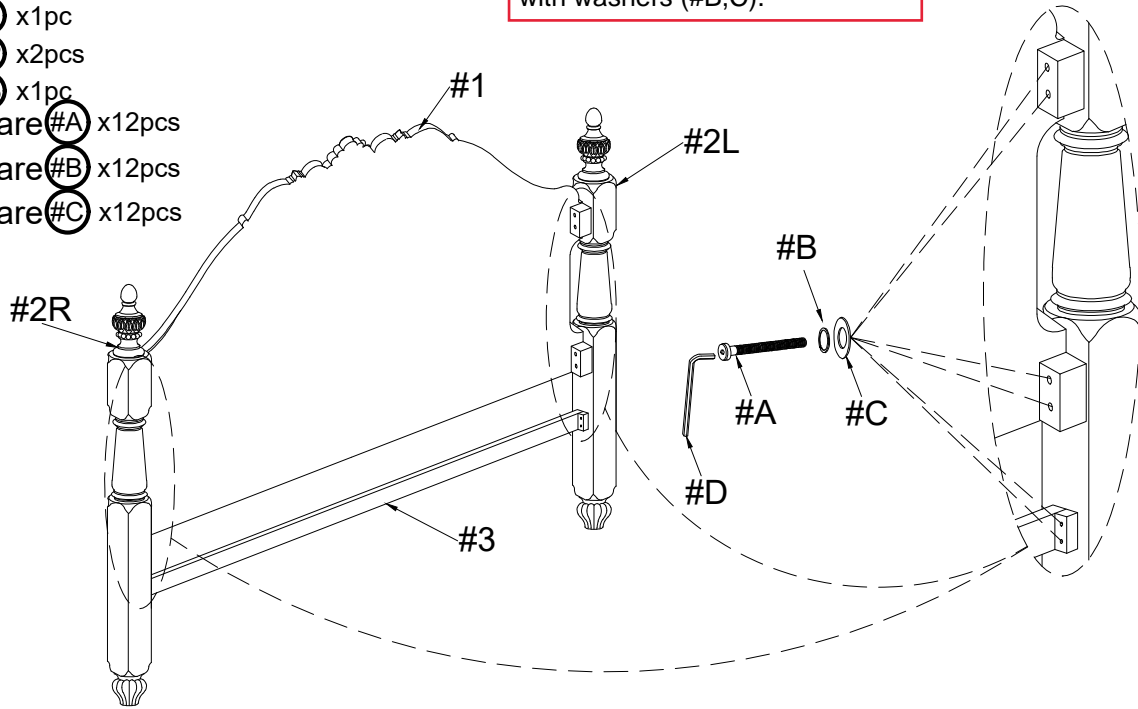


ASSEMBLY INSTRUCTIONS

1

- Part #1 x1pc
- Part #2 x2pcs
- Part #3 x1pc
- Hardware #A x12pcs
- Hardware #B x12pcs
- Hardware #C x12pcs

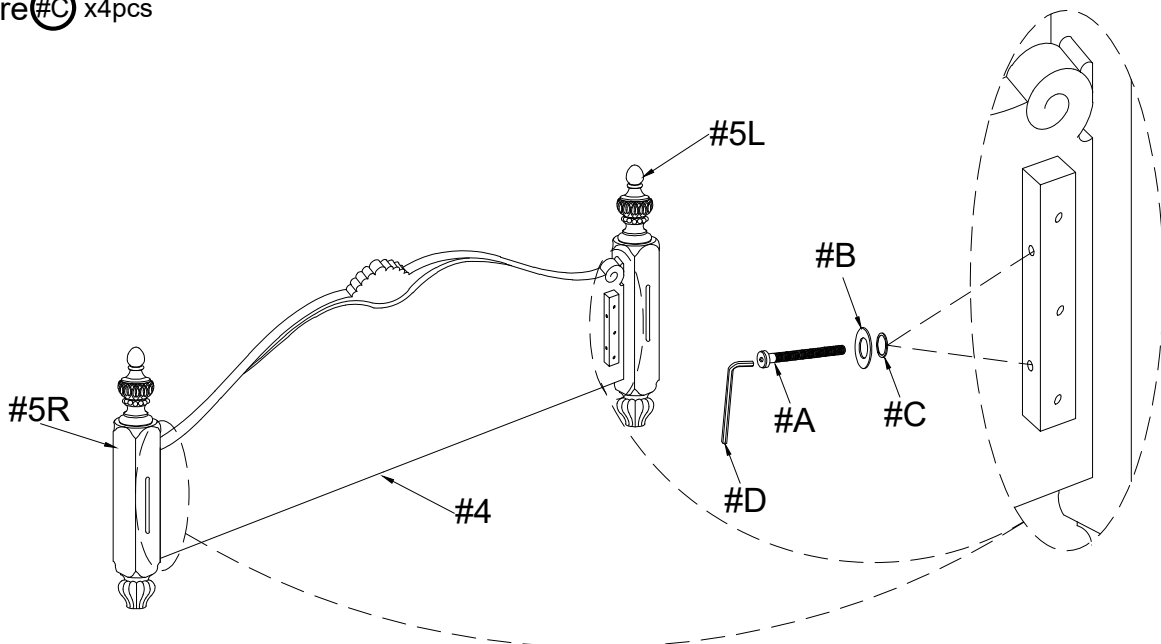
Align HB legs (#2R/L) to HB support (#3) and headboard (#1), then secure by using bolts (#A) with washers (#B,C).



2

- Part #4 x1pc
- Part #5 x2pcs
- Hardware #A x4pcs
- Hardware #B x4pcs
- Hardware #C x4pcs

Align FB legs (#5R/L) to the footboard (#4), then secure by using bolts (#A) with washers (#B,C).

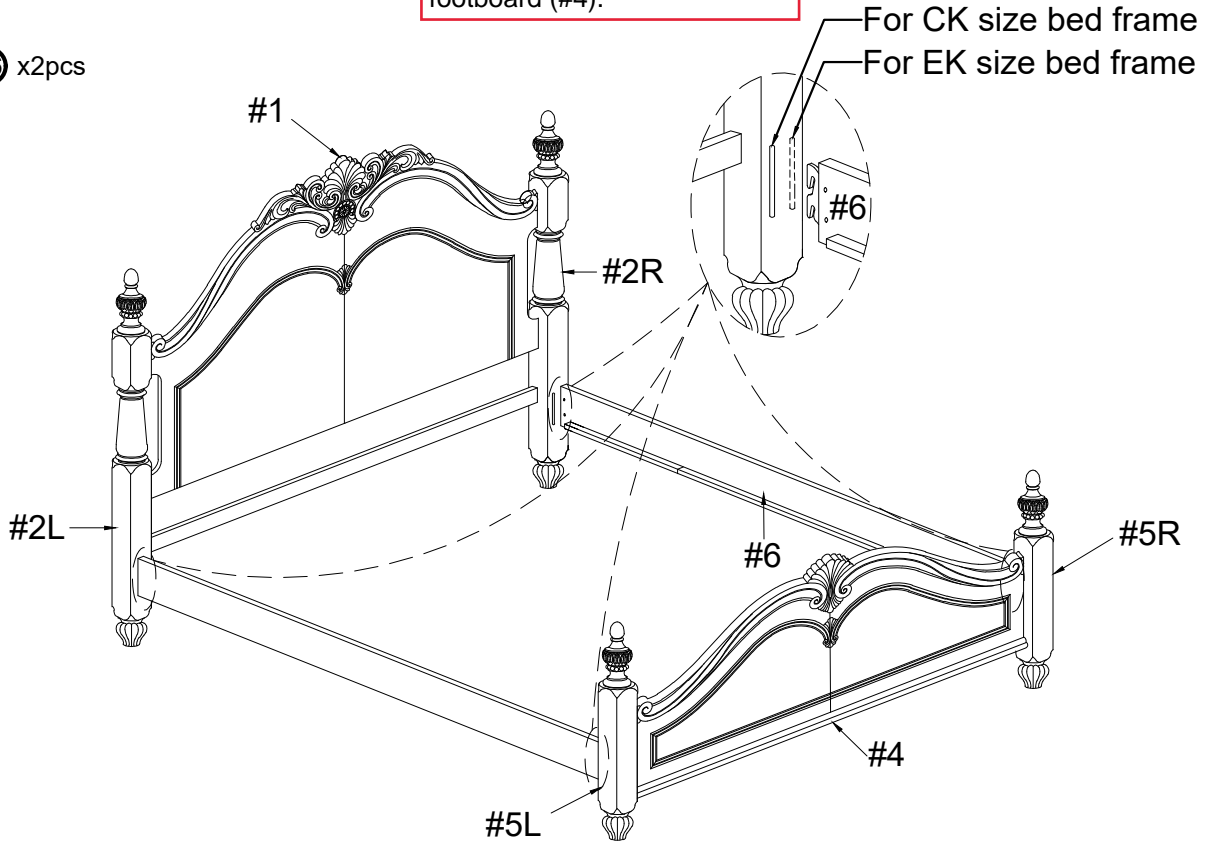


ASSEMBLY INSTRUCTIONS

3

Part #6 x2pcs

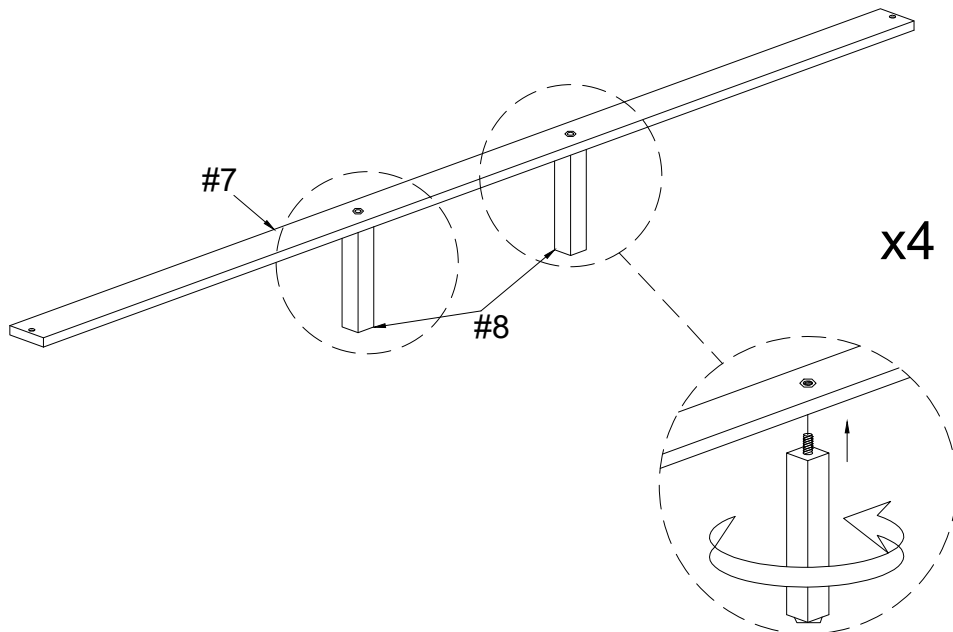
Align and attach side rails (#6) to the headboard (#1) and footboard (#4).



4

Part #7 x1pc
Part #8 x2pcs

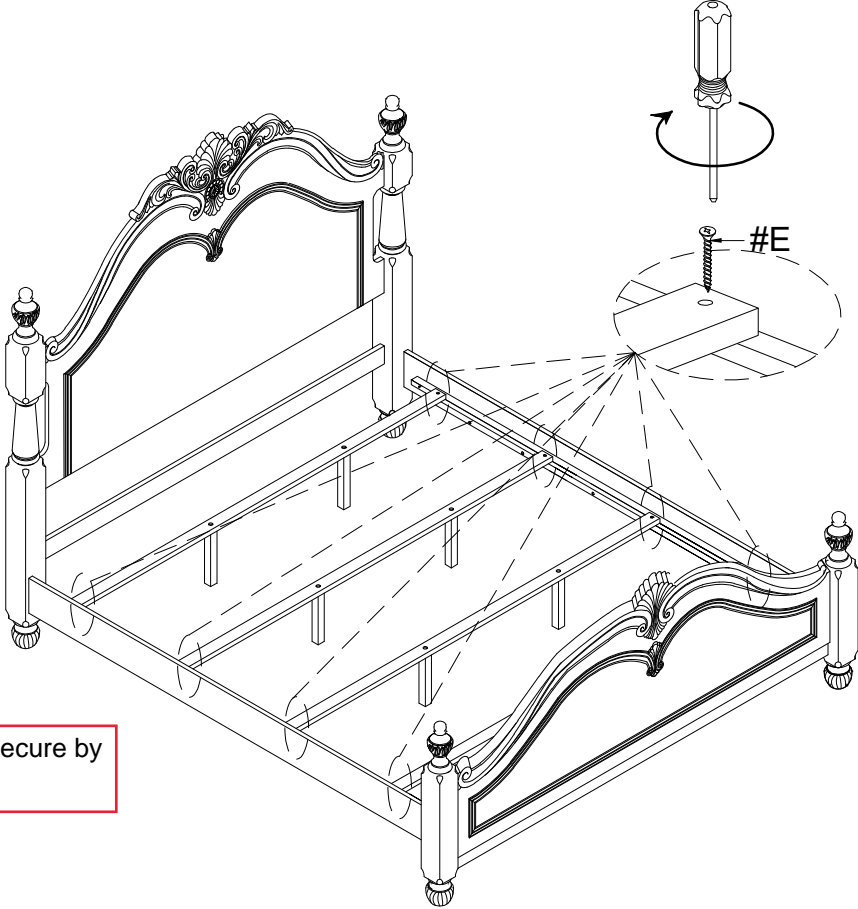
Attach support legs (#8) to the slats (#7).



ASSEMBLY INSTRUCTIONS

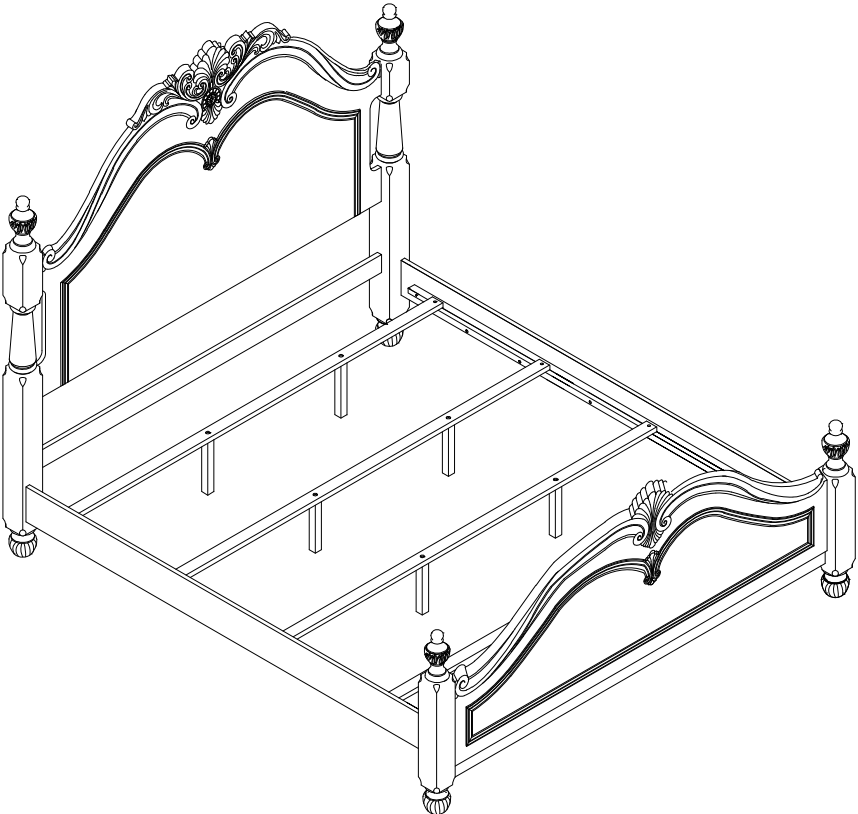
5

Hardware **#E** x8pcs



Align slats to the side rails, then secure by using screws (#E).

6



ASSEMBLY COMPLETED

Please ensure the furniture rests on an even and flat surface. If the product wobbles or feels loose, double-check all bolts and/or screws are properly tightened and secured.

- ✓ **Keep this handy!**
Please retain this instruction manual and any order-related information for future reference.
- ✓ **Lift, don't drag!**
To avoid damage to product please always LIFT the product when transporting or adjusting the placement.