

# ASSEMBLING INSTRUCTION

A X1PC



B X1PC



C X1PC



D X1PC



E X1PC



F X4PCS



G X5PCS



H X1PCS



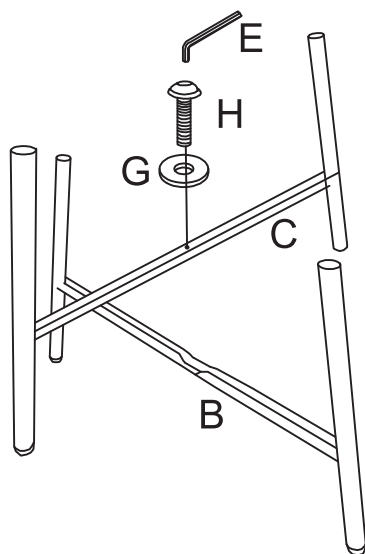
I X4PCS



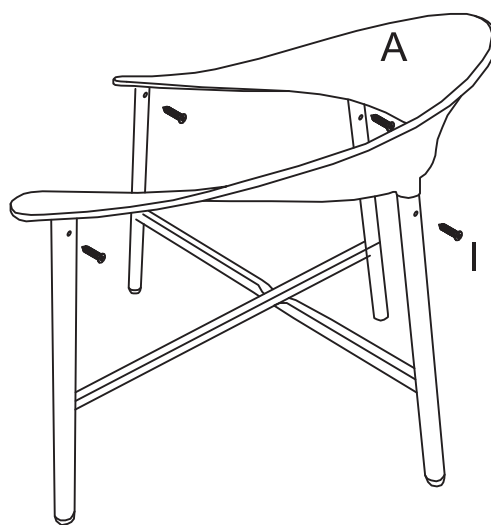
J X1PCS



1

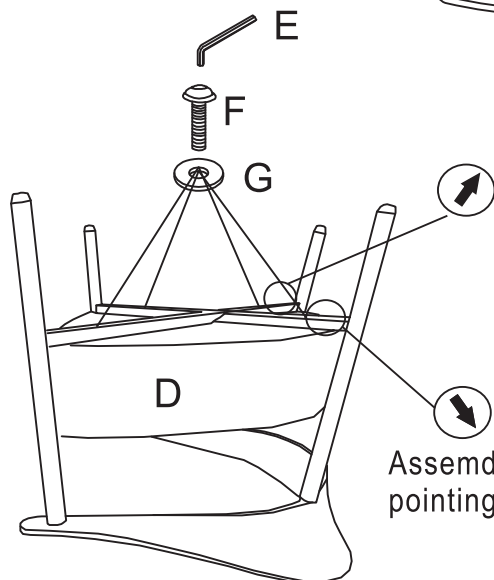
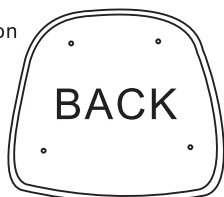


2



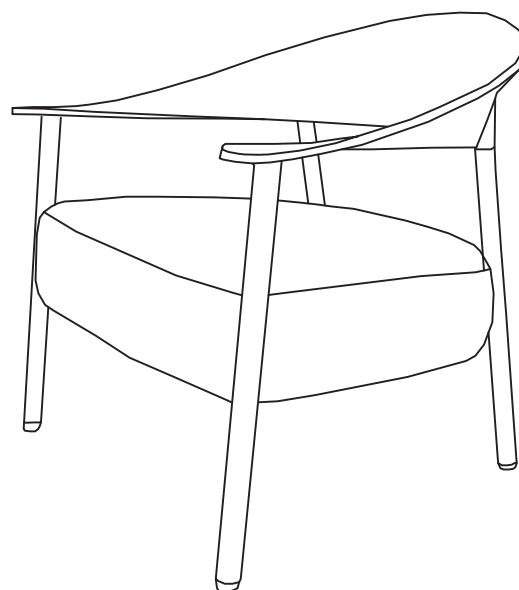
3

Pay attention to the position of the cushion holes.

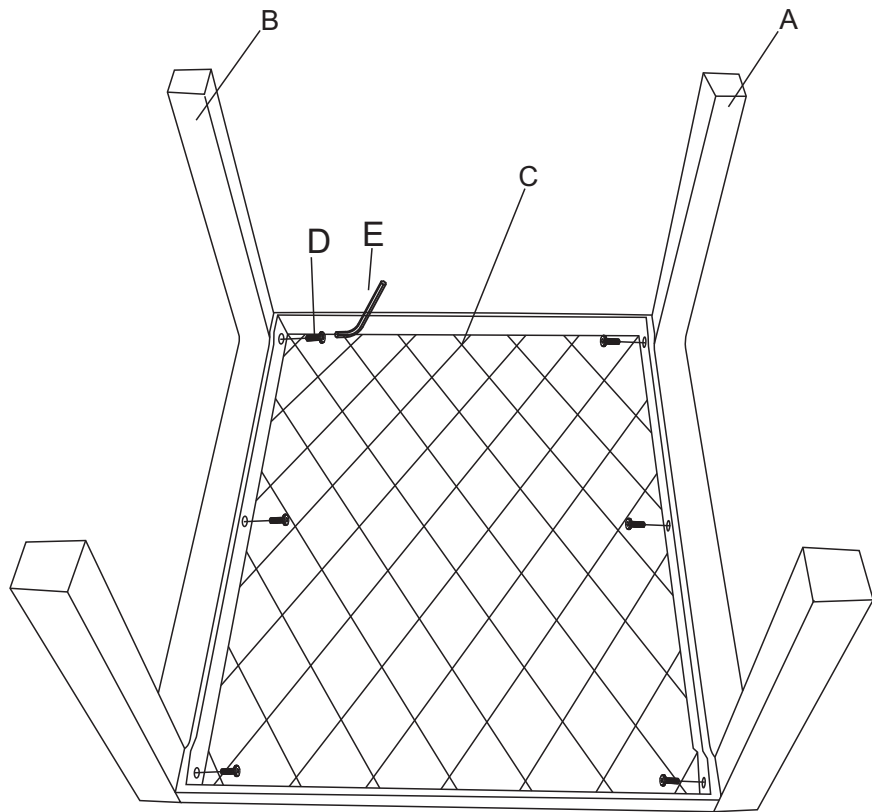


Assemble with arrows pointing outward

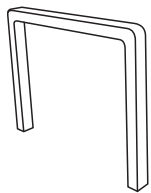
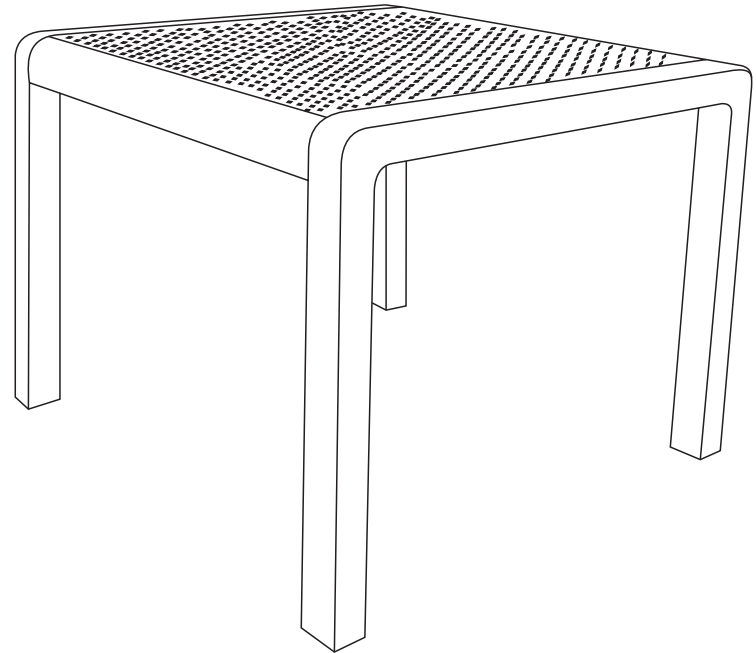
4



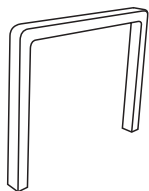
1



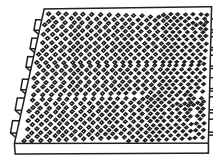
2



Ax1



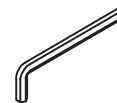
Bx1



Cx1



Dx6



Ex1