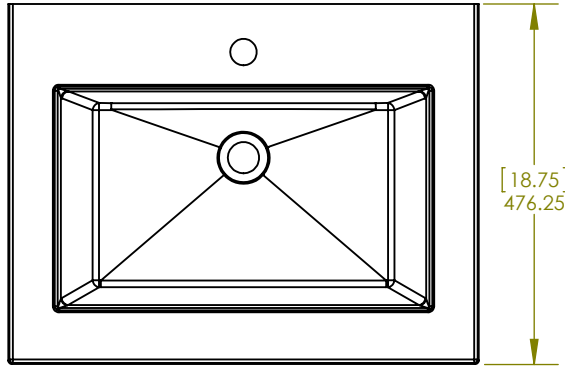
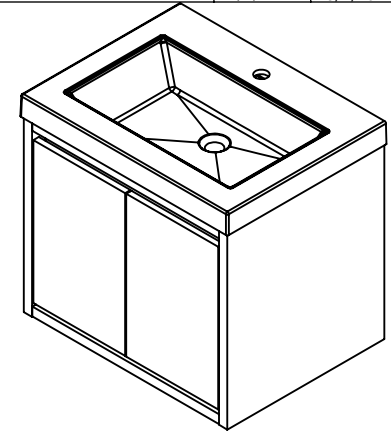


ITEM ID	DESCRIPTION
EC2224C036-SB	24in Vanity - Sable

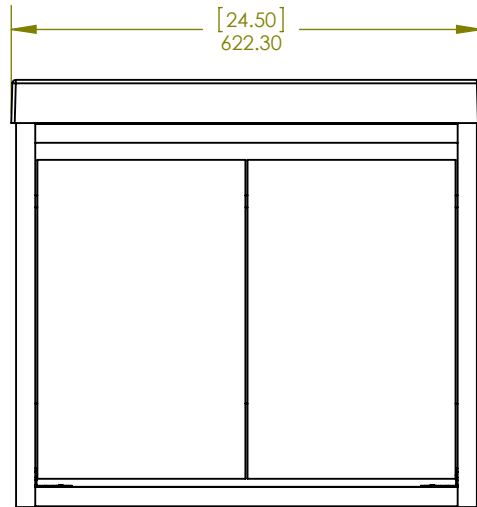
REV	ECO#	DESCRIPTION	REV'D BY DATE	CHK'D BY DATE	APRV'D BY DATE
0		RELEASE	AGS 5/4/2022	KN 5/4/2022	EC 5/4/2022



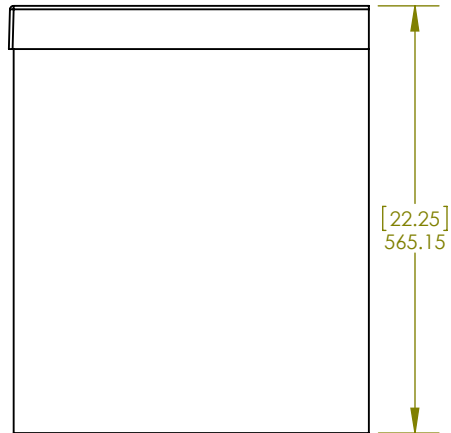
Top View / Vista Superior



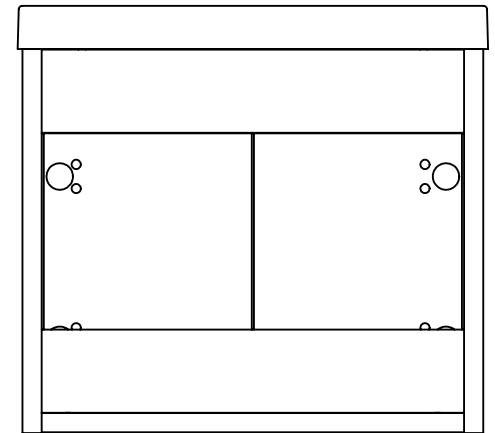
Isometric View / Vista Isometrica



Front view / Vista Frontal



Side View / Vista Lateral



Back View / Vista Trasera

**PROPRIETARY AND CONFIDENTIAL**  
 THE INFORMATION CONTAINED IN THIS DRAWING IS THE SOLE PROPERTY OF WOODCRAFTERS HOME PRODUCTS L.L.C. ANY REPRODUCTION IN PART OR AS A WHOLE, WITHOUT THE WRITTEN PERMISSION OF WOODCRAFTERS HOME PRODUCTS L.L.C. IS PROHIBITED.

Tolerancia no epsecificada

Lineal  
±0.5mm

Angular  
±0.5°

Drawn By /  
Dibujado por: Adolfo Gallegos 5/4/2022  
 Checked By /  
Revisado Por: Karina Navarro 5/4/2022  
 Approved By /  
Revisado Por: Eduardo Cisneros 5/4/2022

Cabinet Name/Nombre de Gabinete:  
24.5in Vanity w/White VTop

FG ID:

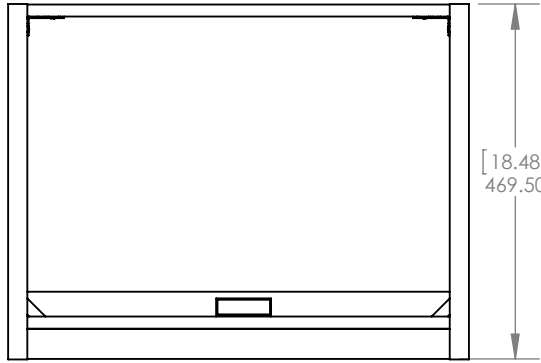
# of Drawing/ de Dibujo:

PAGE 1 OF 1

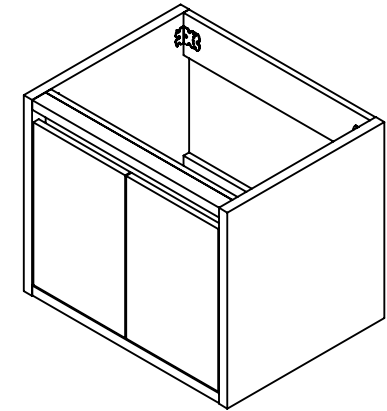
REV: 0

ITEM ID	DESCRIPTION
EC2224C036-SB	24in Vanity - Sable

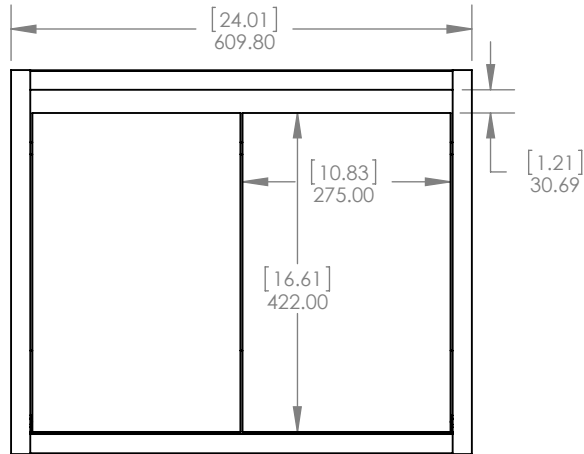
REV	ECO#	DESCRIPTION	REV'D BY DATE	CHK'D BY DATE	APRV'D BY DATE
0		RELEASE	AGS 5/31/2022	KN 5/31/2022	EC 5/31/2022



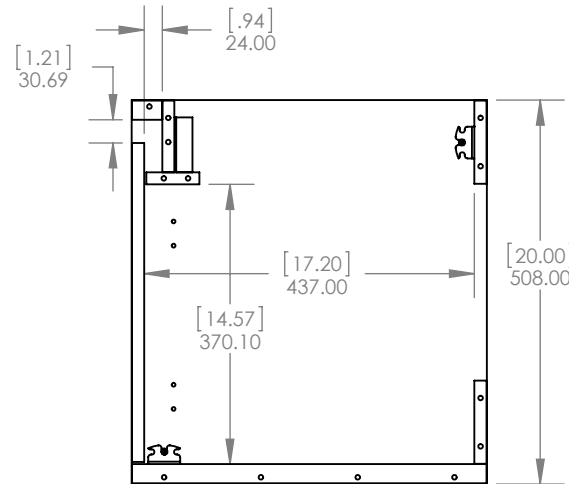
Top View / Vista Superior



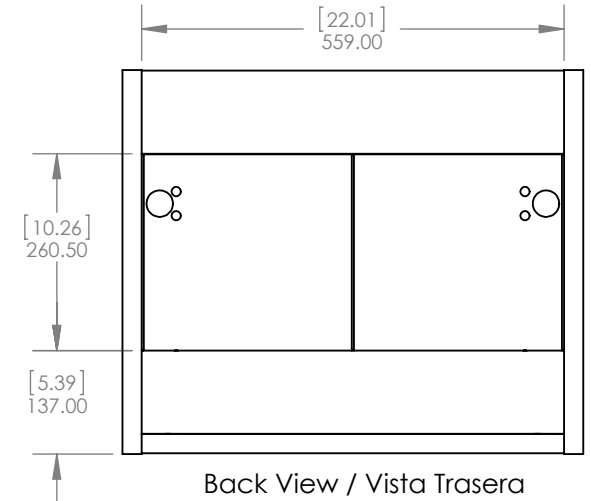
Isometric View / Vista Isometrica



Front view / Vista Frontal



Side View / Vista Lateral



Back View / Vista Trasera

**PROPRIETARY AND CONFIDENTIAL**  
 THE INFORMATION CONTAINED IN THIS DRAWING IS THE SOLE PROPERTY OF WOODCRAFTERS HOME PRODUCTS L.L.C. ANY REPRODUCTION IN PART OR AS A WHOLE, WITHOUT THE WRITTEN PERMISSION OF WOODCRAFTERS HOME PRODUCTS L.L.C. IS PROHIBITED.

Tolerancia no especificada

Lineal  
±0.5mm

Angular  
±0.5°

Drawn By /  
Dibujado por: Adolfo Gallegos 5/31/2022  
 Checked By /  
Revisado Por: Karina Navarro 5/31/2022  
 Approved By /  
Revisado Por: Eduardo Cisneros 5/31/2022

Cabinet Name/Nombre de Gabinete:  
24.5in Vanity w/White VTop

FG ID:

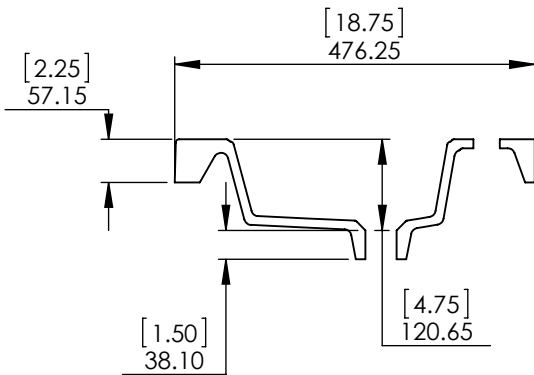
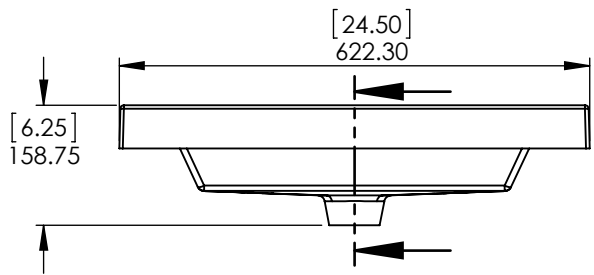
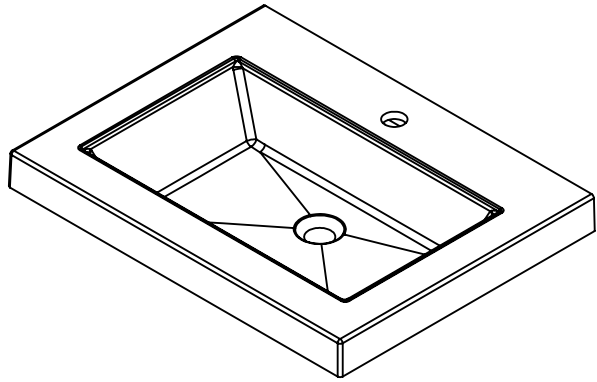
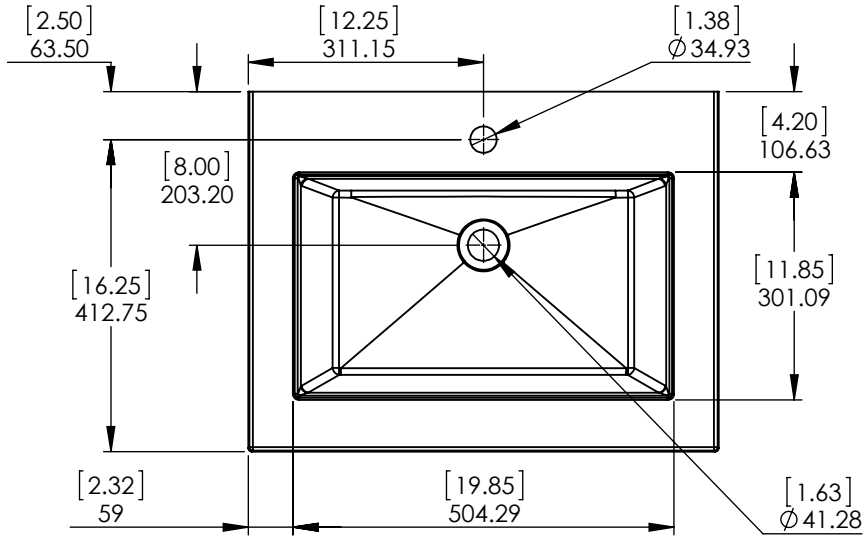
# of Drawing/ de Dibujo:

PAGE 1 OF 1

REV: 0

ID	Description	Technology	Status
595684	Vtop Oslo 24.5x18.75 White SH	Solid White	Approved for production

Rev #	Approved by	Change
0	R. Rubio	Released



NOTE: MAX. WARPAGE  
TOLERANCE 1/8"

PROPRIETARY AND CONFIDENTIAL		UNLESS OTHERWISE SPECIFIED		NAME	DATE	SIZE	DWG. NO.	SHEET 1 OF 1	REV: 0
THE INFORMATION CONTAINED IN THIS DRAWING IS THE SOLE PROPERTY OF WOODCRAFTERS. ANY REPRODUCTION IN PART OR AS A WHOLE WITHOUT THE WRITTEN PERMISSION OF WOODCRAFTERS IS PROHIBITED.		DIMENSIONS ARE IN MM. AND (INCHES)		DRAWN	R. Rubio	06/18/19	A	Vtop Oslo 24.5x18.75 SH	
		TOLERANCES ARE +0.125 [3.175] -0.125 [-3.175]		CHECKED	R. Rubio	06/18/19			
		SCALE:1:10		ENG APPR.	R. Rubio	06/18/19			
				MFG APPR.	A. Casiano	06/18/19			